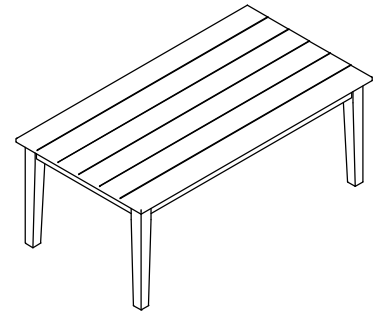


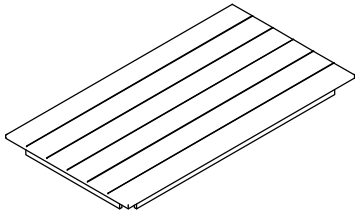
# Montrose Table & Seaside Table Assembly Instructions

Made in Vietnam

## Components and Hardware List



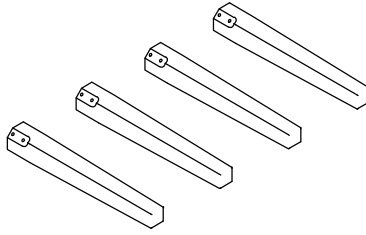
1. Top



(A)

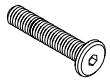
1pc

2. Legs



(B)

4pcs



Allen Head Bolt  
Ø8 x 50mm

(H1)

8pcs



Lock Washer  
Ø9 x Ø13mm

(H2)

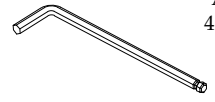
8pcs



Flat Washer  
Ø8 x Ø20mm

(H3)

8pcs



Allen Key  
4 x 110mm

(H4)

1pc

Be sure to check all packing material carefully for small parts, which may have come loose inside the carton during shipment.

### Step 1:

