

Electronic Bidet Seat

User manual

E2300/E2302

E2300-UF/E2302-UF

Table of contents

1. Safety	3
2. Technical Data	6
3. Packing Contents	7
4. Required Tools	9
5. Product Description	9
5.1 Side Control Panel	10
6. Installation Guide	12
6.1 Suitable Toilet	12
6.2 Installation	13
6.3 Operation	16
7. Maintenance	17
7.1 Cleaning the Surface	17
7.2 Manual Wand Cleaning	17
7.3 Filter Cleaning	18
8. FAQ	19

1. Safety

Please read and adhere to the instructions. Keep this document and pass it on to future users. Ignoring these instructions may result in personal injury, product damage, or property damage.

Danger of Fatal Injury from Electric Shock

Contact with electricity can cause fatal electric shock.

General Precautions

- The product must be grounded. Do NOT operate the product without proper grounding.
- The product does not have an electrical leakage protection function. It must be installed in a power circuit equipped with a leakage protection device.
- Avoid Damage to the Power Cable
- If the power supply cable is damaged, it must be replaced by the manufacturer, customer service agent, or a qualified person to avoid hazards.
- Keep the power cable away from hot surfaces and sharp edges.

Do NOT Use a Damaged Product

Do NOT use the product if it does not function properly or is damaged.

- Turn off the product.
- Disconnect the power supply.
- Close the stop valve to interrupt the water supply.

Do NOT Repair the Product Yourself

Repairs must only be carried out by qualified individuals.

- Do NOT make modifications, tamper with, install additional equipment, or attempt to repair the product.

Avoid Condensation

- Do NOT install the product in a room exposed to excessive moisture. Ensure sufficient ventilation to avoid condensation in electronic components.
- When moving the product from a cold location to a warm one, leave the unit switched off for a few hours to prevent condensation.

User Requirements

This product is suitable for children aged 8 and older, as well as individuals with physical, sensory, or mental challenges, or those who lack experience and knowledge, provided they are supervised or given instructions on the safe use of the product and understand the risks.

- Children should NOT play with the product.

- Cleaning and maintenance must NOT be carried out by children without supervision.

DANGER

To Minimize Electrocution Risk

- Do NOT place or store the product where it might fall or be pulled into a tub or sink.
- Do NOT place or drop it into water or any other liquid.
- If the product falls into water, do NOT reach for it. Unplug it immediately.

WARNING

To minimize the risk of burns, electrocution, fire, or injury to individuals

- Always supervise when this product is being used by, on, or near children or individuals with disabilities.
- Use this product solely for its intended purpose as outlined in this manual. Avoid using attachments not approved by the manufacturer.
- Keep the cord away from hot surfaces.
- Do not use outdoors or in areas where aerosol products are in use or where oxygen is being supplied.

Health Risks from Contaminated Water

- Never connect any wastewater, industrial water, seawater, or other untreated or partially treated water.

Risks of Damage or Malfunctions from Improper Use

- Do not step on or stand on the product.
- Avoid deliberately contaminating, spraying, or clogging the spray wand.
- Do not use gasoline, detergent, insecticide, toilet cleaner, or hard brushes to clean this product
- Ensure that the water inlet pipe is not connected to hot water. The inlet water temperature should be maintained between 1-35°C.

Protecting the Seat and Cover

- Do not stand, sit, or lean on the cover.
- Do not remove the seat or cover.
- Avoid damaging the seat's surface;
- Do not force the cover open or closed manually.
- Avoid placing heavy objects on the cover.

Preventing Damage from Freezing

- Do not install or operate the product in areas where freezing temperatures may occur. The room temperature should remain above 4 °C (39 °F).

Protection from External Damage

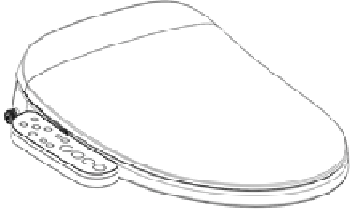
- Do not place open flames, such as candles or cigarettes, on the product.
- Avoid exposing the product to direct water or sunlight.

2. Technical Data

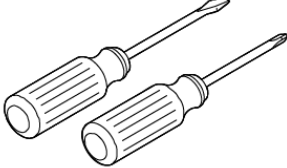

Key Features	Power Supply/Frequency	AC 220V/50Hz & AC 110V/60Hz
	Rated Power	1030W
	Maximum Power	1670W
	Power Cord Length	1,5m
	Night Light	0,3 Watt
	Seat Heating Power Consumption (max)	50 Watt
	Protection Rating	IPX4
Operational Features	Ambient Temperature	0-40°C
	Inlet Temperature	5-30°C
	Inlet Water Pressure	0,49 - 7,85 Bar
Shower Function	Air Bubble Shower	Air-mixed water jet for an intensive and pleasant shower experience
	Nozzle Position	5 levels
	Shower Water Pressure	5 levels
	Temperature	4 levels, including off
	Warm Water Temperature	34°C - 36°C - 38°C
Dryer	Shower Duration	Approx 2.5 minutes
	Air Volume Flow	4,5 m/s
	Temperature	38°C - 48°C - 58°C
Seat & Cover	Heating Power	250W
	Anti-flame ABS Plastic (E2302/E2300)	Antibacterial, fire-resistant
	Duroplast Plastic (E2302-UF/E2300-UF)	Impact, scratch, and fire-resistant
	Soft Close of Seat and Cover	High-performance oil pressure damper

3. Packing Contents

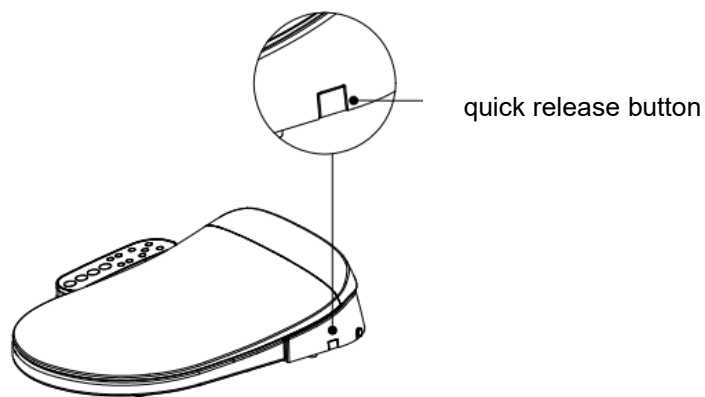
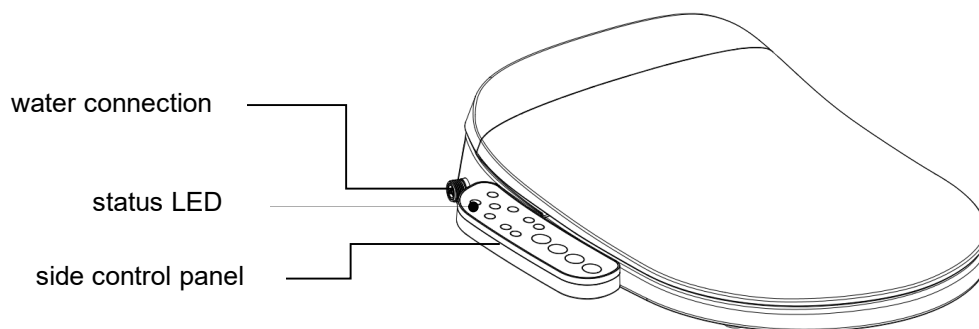
Mounting Elements	① Base plate	
	②③⑤ Top-Mounting System	
	④ Mounting Plates	
Installation	① Installation Hose 1/2" x 1/2" (60 cm)	
	② T-Connector 3/8" x 3/8" x 1/2"	
	③ Filter (recommended)	
User Manual		
Bidet Seat	U-Form	

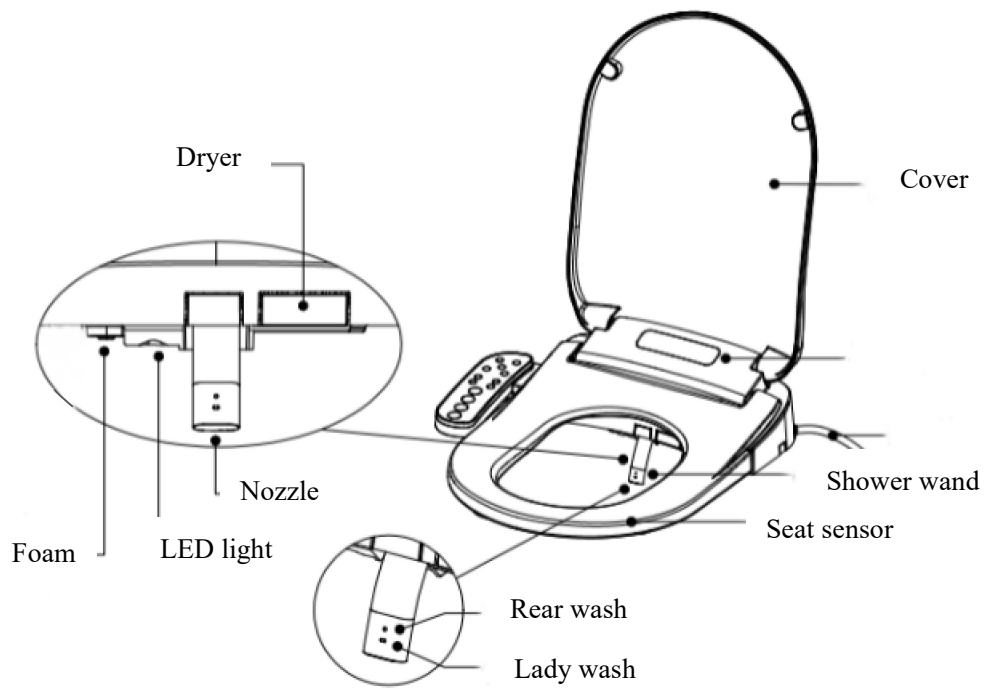
	V-Form	
--	--------	--

4. Required Tools

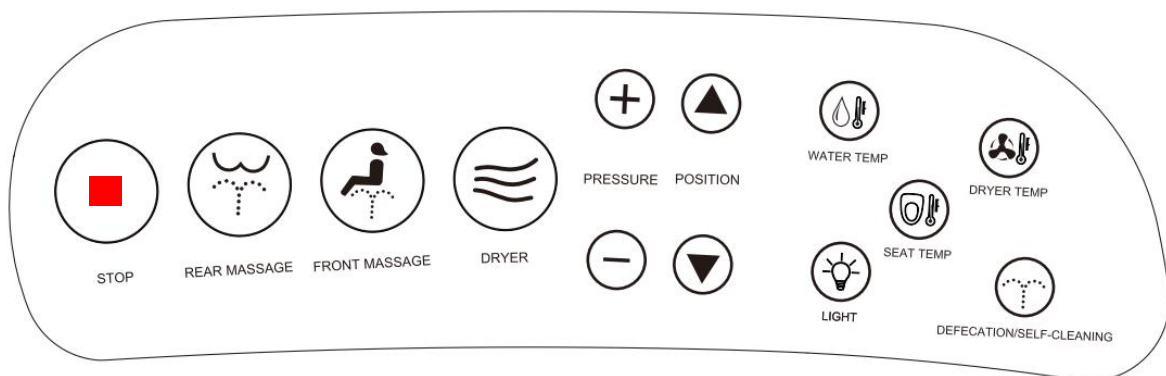
Screwdriver Flathead/Phillips	
Wrench	












5. Product Description





5.1 Side Control Panel



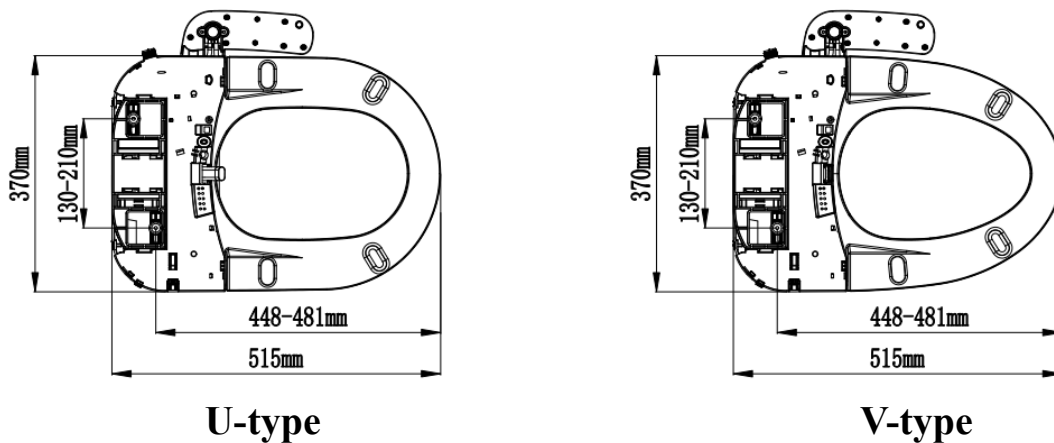
Side Control Panel	
	Press the 'Stop' button in operating mode to end the shower or drying function.
	In the occupied state, press the "Rear Wash" button to release water from the rear shower head for cleansing. Press the button again to activate the oscillation mode. After a cycle of the washing function, if the user remains seated, the shower toilet will automatically switch to the drying function, which will stop after one cycle.
	In the occupied state, press the "Lady Wash" button to spray water for cleansing the female genital area. Pressing the "Female Wash" button again activates the mobile massage feature. After one cycle of the female wash, if the user remains seated, the unit will automatically switch to the drying function, which will stop after one cycle.
	In the occupied state, press the 'Dryer' button to start the drying function, and then press the 'Stop' button to stop the drying function. The drying function will automatically stop after one cycle.
	In the occupied state, briefly press the "Defecation" button to activate the defecation function. During this function, the water pressure is set to maximum, and the water temperature remains at the preset level. In the unoccupied state, briefly press the "Self-Cleaning" button to activate the self-cleaning function. The wand will begin self-cleaning, then remain extended for 10 minutes, allowing you time to change or clean the nozzle. After 10 minutes, the wand will automatically retract or press the 'Stop' button.
	In the unoccupied state, briefly press the "Light" button to switch between turning on/off the light and intelligent light mode (in which the light will turn on automatically when the environment gets dark). For the model with foam function: In the occupied state, briefly press the "Light" button to activate the foam function.
	In the 'Rear Wash' or 'Lady Wash' mode, press the 'Water Pressure +' and '-' buttons to adjust the water pressure intensity in 5 levels.
	While the "Rear Wash" or "Lady Wash" function is running, you can adjust the position of the wash stream forward and backward in 5 levels by pressing the 'Hose Position ▲' and '▼' buttons.
	Water Temperature Setting: Press this button to adjust the water temperature. The indicator will show levels 1-3 with red light or "off" (no light).
	Seat Temperature Adjustment: Press this button to adjust the seat temperature. The indicator displays 1-3 levels with blue light, or "off" (no light). Press and hold the "Seat Temp" button for more than 3 seconds to toggle the automatic foam function (available for models with foam function).
	Wind Temperature Adjustment: Press this button to adjust the wind temperature. The indicator displays 1-3 levels with purple light, or "off" (no light).

6. Installation Guide

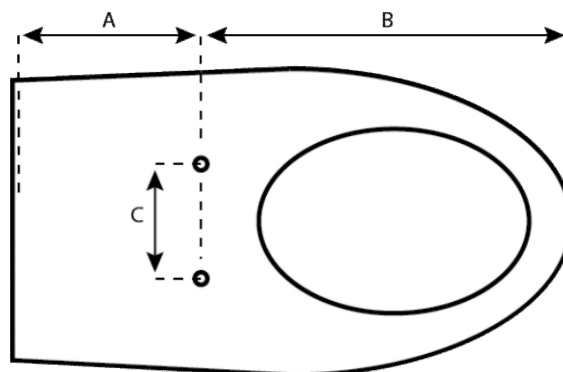
What you should know before installation:

- The room should be protected by an RCD ($\leq 30\text{mA}$).
- Only connect the appliance to a professionally earthed socket outlet.
- Do not use a multiple socket to which other devices are connected.
- The room should always be frost-proof.
- The surface of your ceramic appliance should be flat and level.
- Before installing the appliance, place the bidet cover on your ceramic appliance and check the fit.

6.1 Suitable Toilet



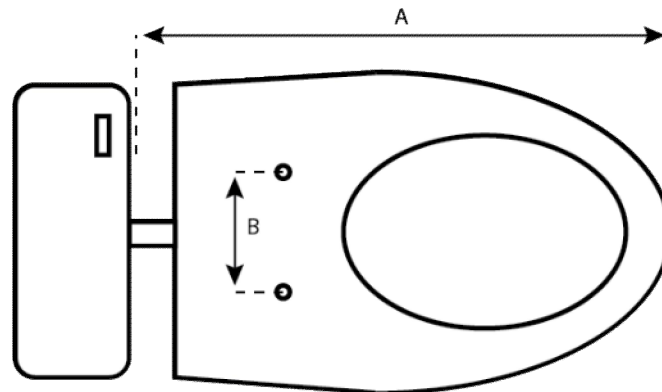
Dimensions for wall-hung toilet:



The surface of dimension A and C should be completely flat!

Serie	A	B	C
E2300/E2302	min 5cm	44cm - 48cm	13cm - 21cm

Dimensions for floor-mounted toilet:



The surface of dimension A should be completely flat!

Serie	A	B
E2300/E2302	min 52cm	13cm - 21cm

6.2 Installation

Water Connection Options: Depending on your local setup, there are various methods to connect your bidet seat.

variant 1



Water supply next to the toilet

variant 2



Washbasin nearby

variant 3



Water from the exposed cistern

Preparation

Turn off the water first! Remove your existing toilet seat.

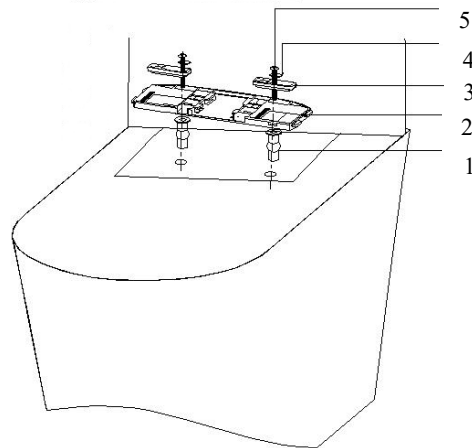
In most cases, the toilet lids are fastened with nuts and bolts.



Mounting the Base Plate

- Insert the two rubber dowels from the top mounting system into the holes in the ceramic. Each dowel has a diameter of approximately 17 mm.
- Insert the screws through the washers and mounting plates.
- Hand-tighten the screws to secure the base plate to the ceramic.

NOTE: Loosen the nuts later, as the shower toilet still needs to be aligned.



Positioning and Aligning the Bidet Seat

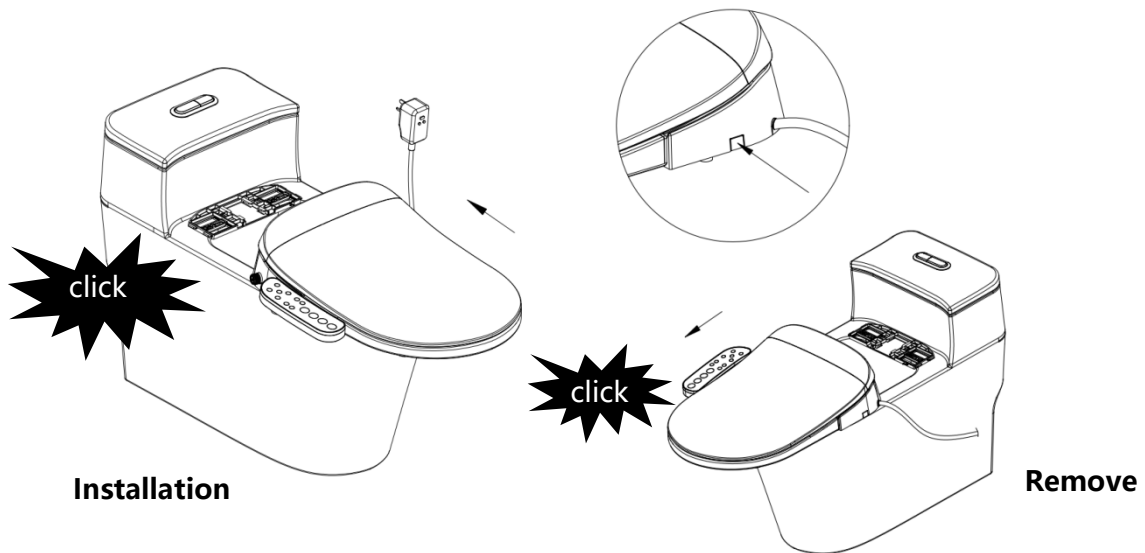
Align: Position the bidet seat on the toilet bowl. You can attach and detach it several times to find the perfect alignment. Once satisfied, tighten the nuts.

Connect: Attach the bidet seat to the water supply pipe.

Installation: Place the bidet seat on the toilet bowl and push it towards the base plate until you hear a click. Alternatively, place the bidet seat on the base plate, ensuring the upper edge of the shower toilet is roughly in the middle. Push until you hear a click. You may need to adjust slightly back and forth or side to side.

Remove: Press the quick-release button on the right side of the attachment while pulling it slowly towards you, as shown in the illustration. Release the button quickly once the attachment has moved.

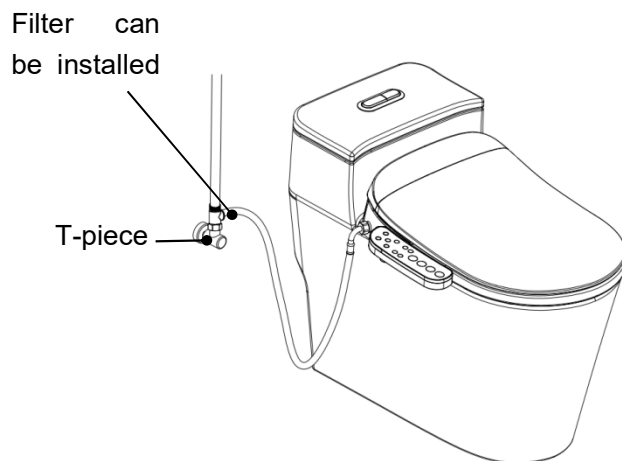
NOTE: Retighten the screw connections after approximately one week and as needed after prolonged use. Slight movement of the shower toilet on the ceramic is normal and not considered a fault.



Connecting the Water

To supply water to the bidet seat, refer to connection variants 1-3. Here's an example for variant 1:

- Attach the T-piece to the angle valve.
- Connect the filter, the water inlet hose, and the toilet tank's water inlet pipe to the T-piece.
- Attach the 'L' end of the water inlet hose to the bidet seat's water inlet connection.



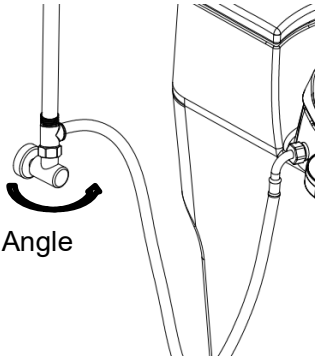
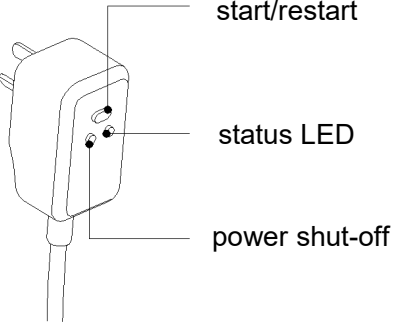
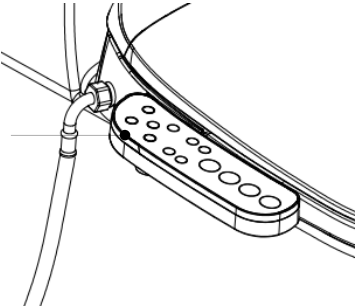
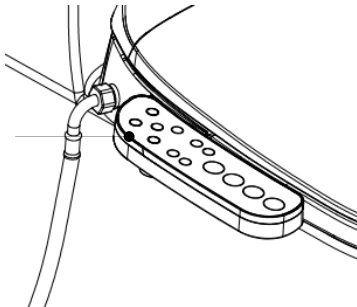
Final Installation Check

Open the Water Pipe: Ensure there are no leaks from the installation. If leaks are detected, verify that all rubber seals are correctly installed.

Connect to Power Supply: Once the water connection is confirmed, connect the bidet seat to the mains power supply.

CAUTION: If the appliance is not receiving water, do not insert the mains plug into the socket. If already inserted, remove it immediately.

6.3 Operation

Preparation of the water and electricity supply	
<p>1. Open the Angle Valve: Verify the screw connection is secure and check for any water leaks. Tighten as necessary to prevent leakage.</p>	<p>2. Insert the plug into the socket. Press the start button. The status LED will illuminate, indicating that the appliance is powered on. Before first use, press the leakage test button to test the leakage protection function.</p>
 <p>Open the Angle Valve</p>	 <p>start/restart status LED power shut-off</p>
<p>3. The self-test begins with a 'beep' sound The indicator light flashes purple before turning red. The shower arm extends and then retracts</p>	<p>4. Another Beep indicates the completion of the self-test.</p>
 <p>Status LED</p>	 <p>Status LED</p>

7. Maintenance

7.1 Cleaning the Surface

Disconnect Power: Always unplug the mains before cleaning!

Clean the Visible Parts: The bidet seat's surface and washing nozzle are easy to clean. Use a mild household cleaner or washing-up liquid with a soft cloth. Rinse with clean water and dry with a soft cloth.

7.2 Manual Wand Cleaning

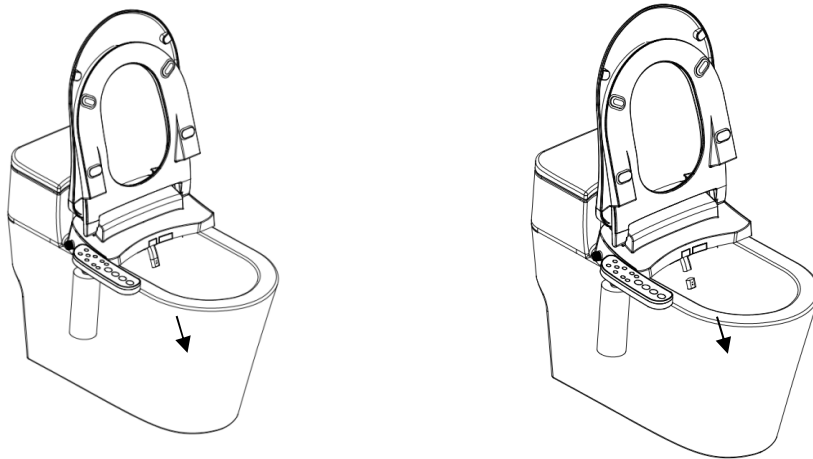
Activate Self-Cleaning: When the seat is unoccupied, briefly press the 'self-cleaning' button. The wand will self-clean briefly and remain extended for 10 minutes, giving you time to thoroughly clean the nozzles or replace the nozzle.

Retraction: After 10 minutes, the wand will automatically retract or press the 'Stop' button. Always ensure a nozzle is fitted before retraction.

Nozzle Replacement

The nozzle can be removed from the wand with a bit of force. If necessary, insert a new nozzle

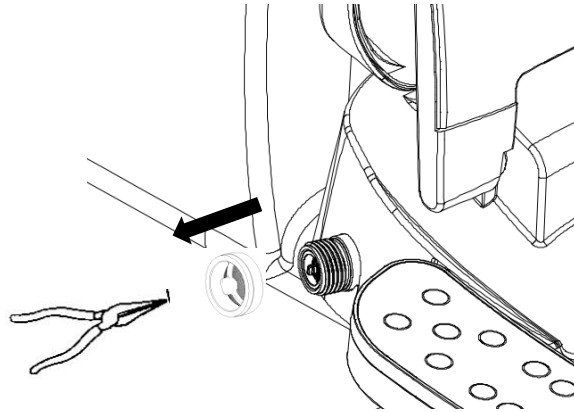
NOTE: Avoid using excessive force when cleaning. Do not push or pull on the shower arm.



- NOTE:**
1. Do not pull on the wand to avoid damaging it.
 2. The nozzle can be removed for separate cleaning.

7.3 Filter Cleaning

- Unplug the power plug, close the water inlet valve, and remove the water inlet hose.
- Take out the filter from the water inlet, and clean the dirt with a toothbrush or small brush.
- After cleaning, reinstall the filter back into the water inlet, reconnect the water inlet hose, and open the water inlet valve.



Remove the filter from the inlet

8. FAQ

Situation	Possible Cause	Solution
Shower Wand Retracts Suddenly	Seat sensor does not detect the user.	Please check/adjust your seating position.
	Shower Wand Retracts After Approximately 2.5 Minutes of Washing	This is not an error. Please restart the washing process.
LED Light Does Not Work	LED light is not activated.	Activate the LED light.
Shower Jet Pressure is Too Low	Limescale filter is dirty.	Replace the limescale filter
	Bidet toilet is scaled.	Contact your dealer
	Hose is kinked.	Check and replace the hose if necessary.
	Nozzle is dirty.	Clean the Nozzle
	Water pressure is too low.	The water pressure should be between 0.49 - 7.85 Bar.
	Fine filter is dirty.	Clean the fine filter.
Bidet Toilet Does Not Start Any Function	Device is turned off.	Turn it on.
	Device is occupied for more than an hour.	Stand up and sit back down.
Water is Not Warm Enough	Water temperature set too LOW.	Increase the water temperature.
Dryer Temperature is Too Low	Setting is OFF or LOW	Increase the dryer temperature.
Seat Heating is Not Warm Enough	Seat temperature set to OFF or LOW.	Increase the seat temperature.
	Energy-saving mode is activated.	Deactivate the energy-saving mode.
Bidet Toilet is Loose	Mounting screws are loose.	Tighten the screws.
Seat and Lid Do Not Close Quietly	Ambient temperature is very high.	Wait for the ambient temperature to normalize. If the problem persists, contact your dealer.