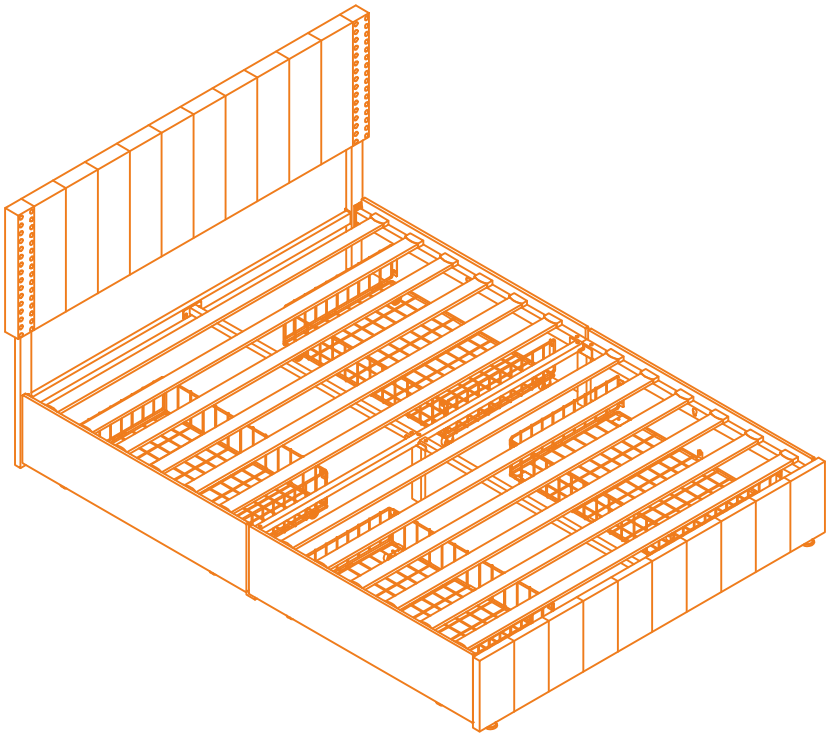
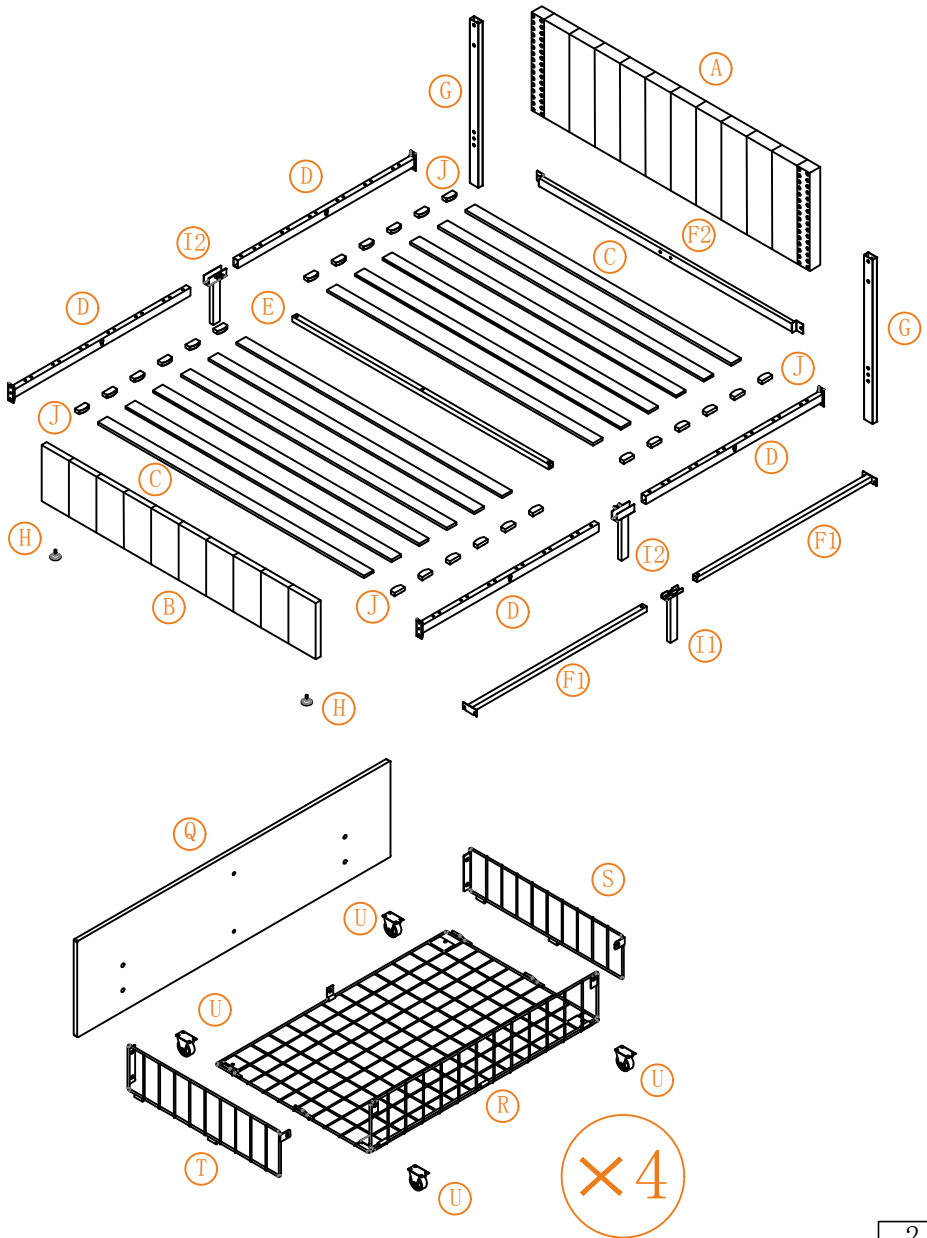




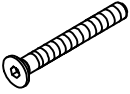
X 2

# Full Upholstered Bed Frame Queen Upholstered Bed Frame





K x11



M8\*50

L x 4



M8\*40

M x10



M8\*25

N x 2



M8\*16

O x10



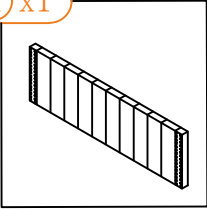
22\* 8.5

P x 1

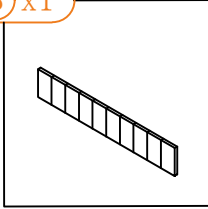


M8 Spanner

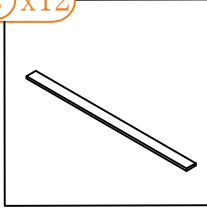
A x1



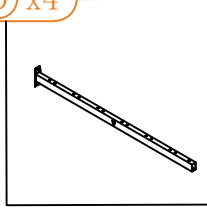
B x1



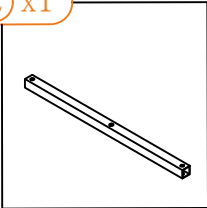
C x12



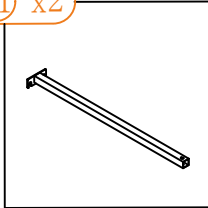
D x4



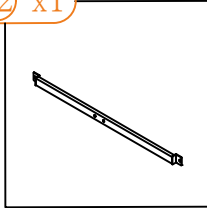
E x1



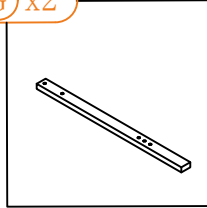
F1 x2



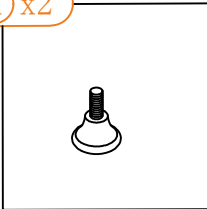
F2 x1



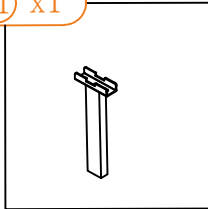
G x2



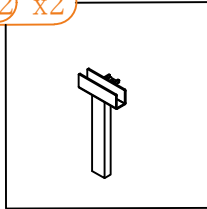
H x2



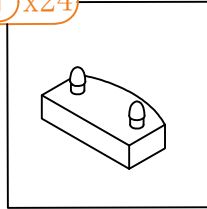
I1 x1



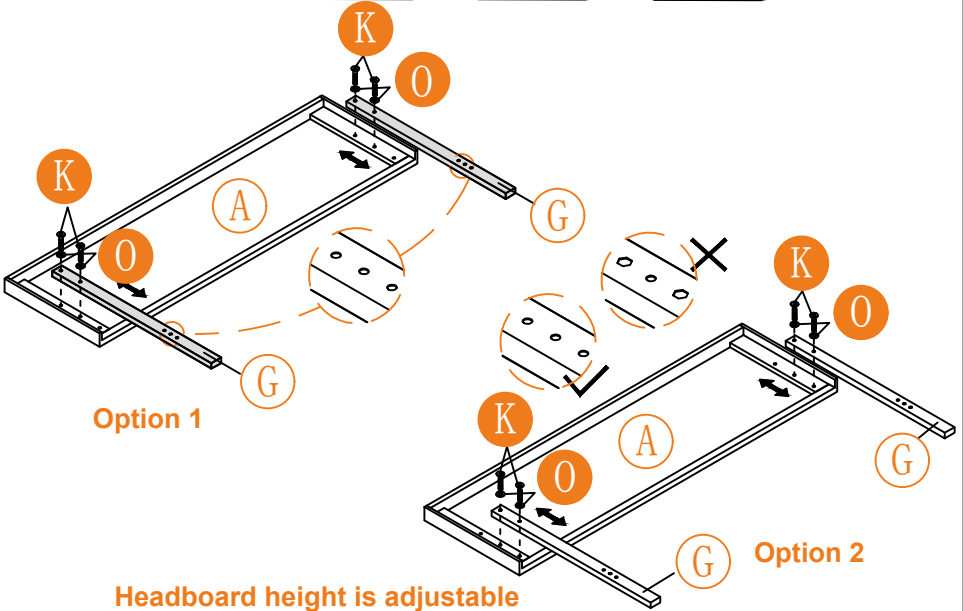
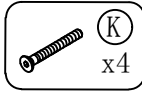
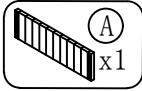
I2 x2



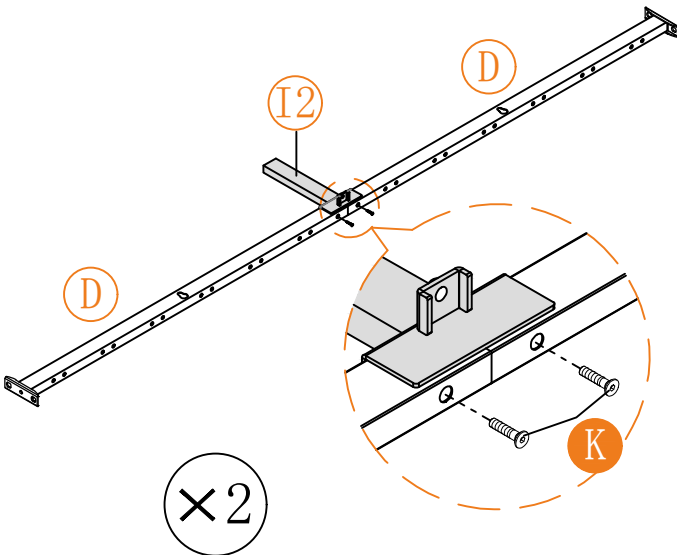
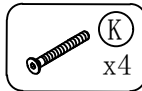
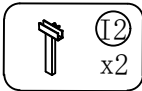
J x24



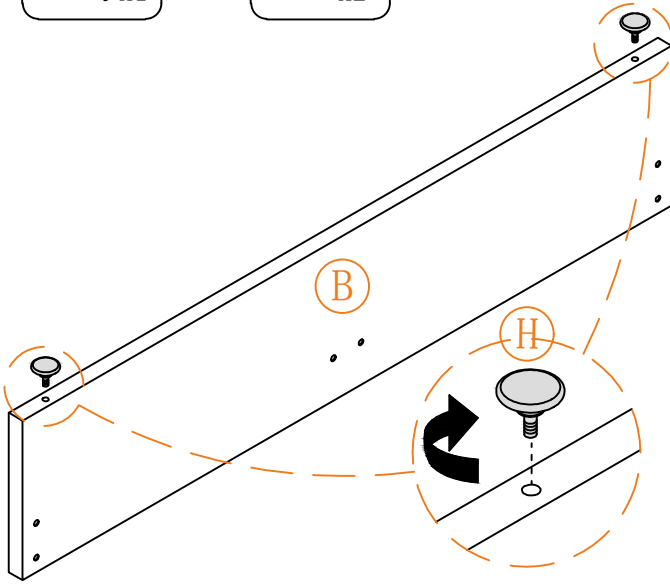
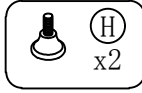
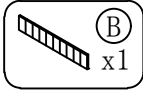
1



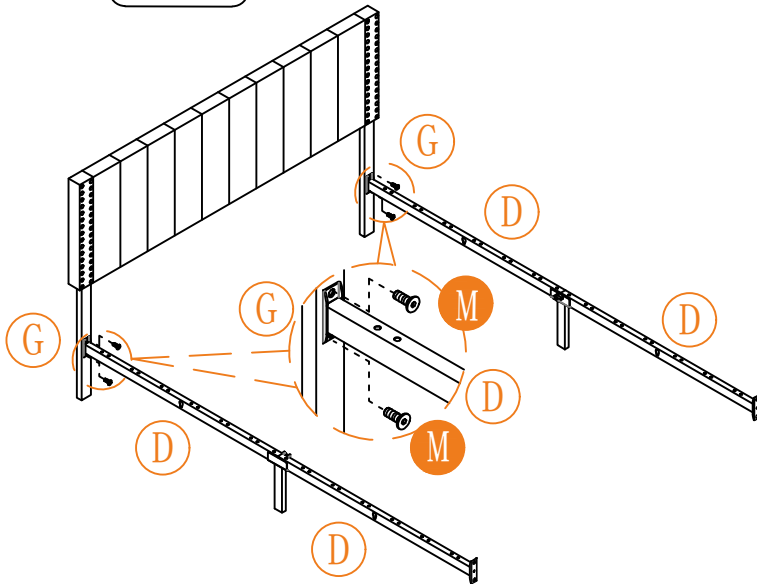
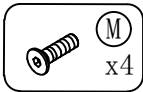
2



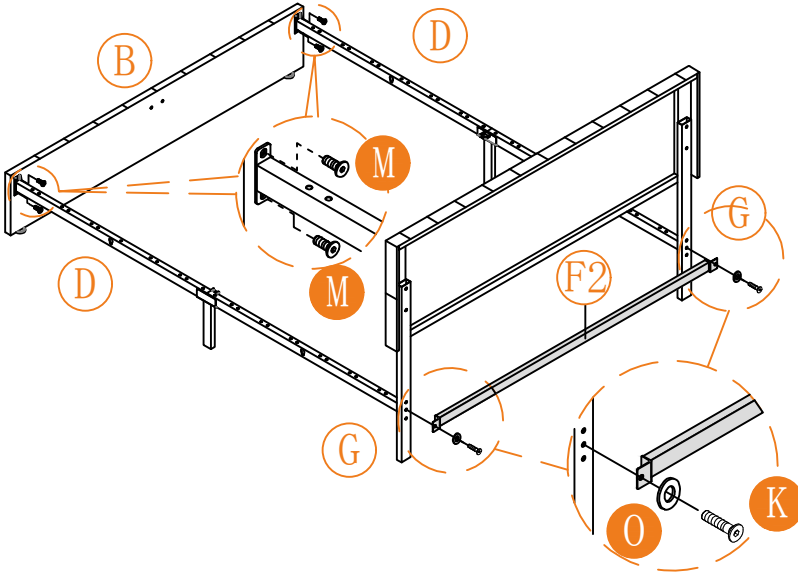
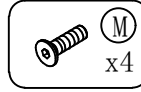
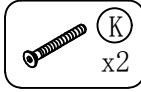
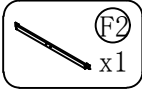
3



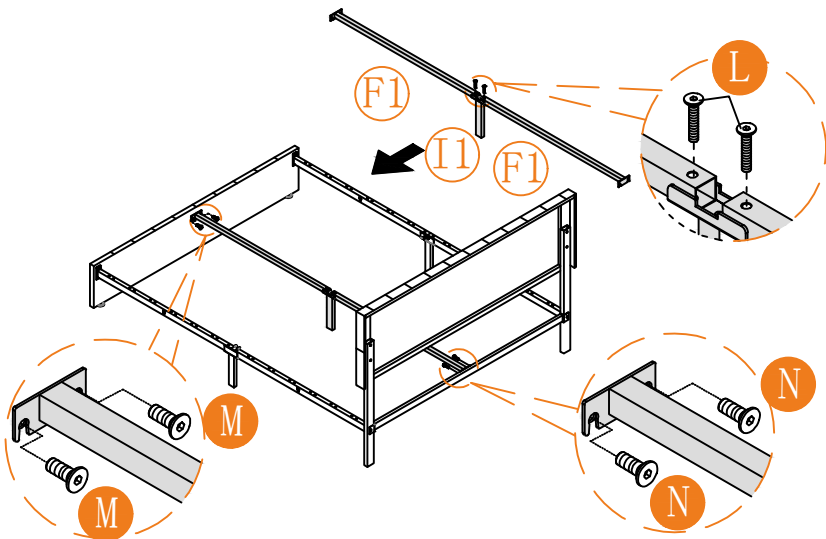
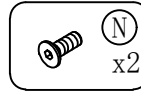
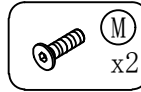
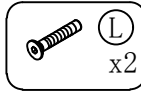
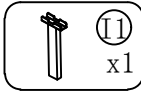
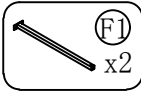
4



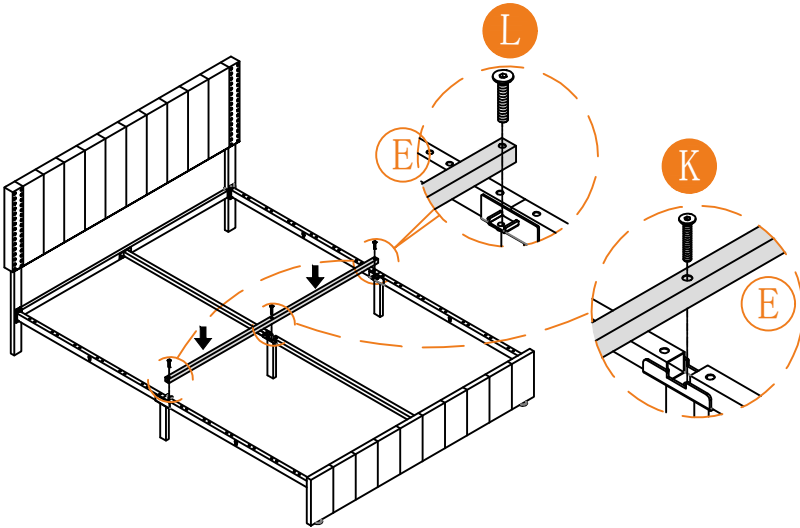
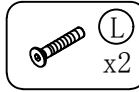
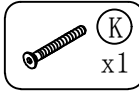
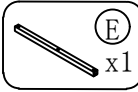
5



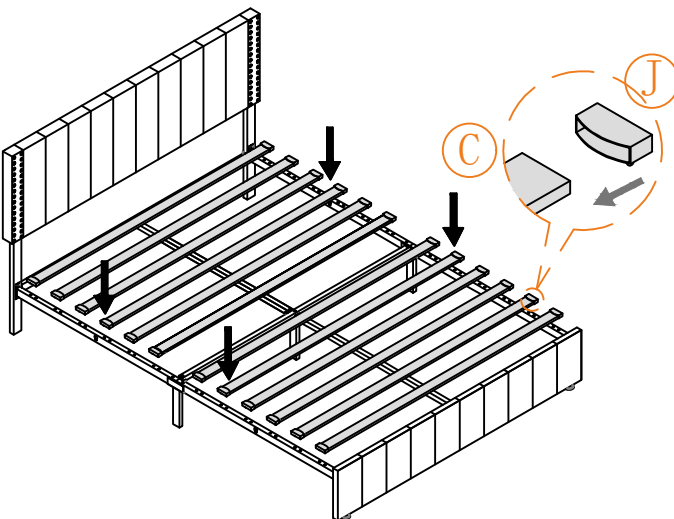
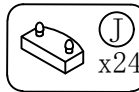
6



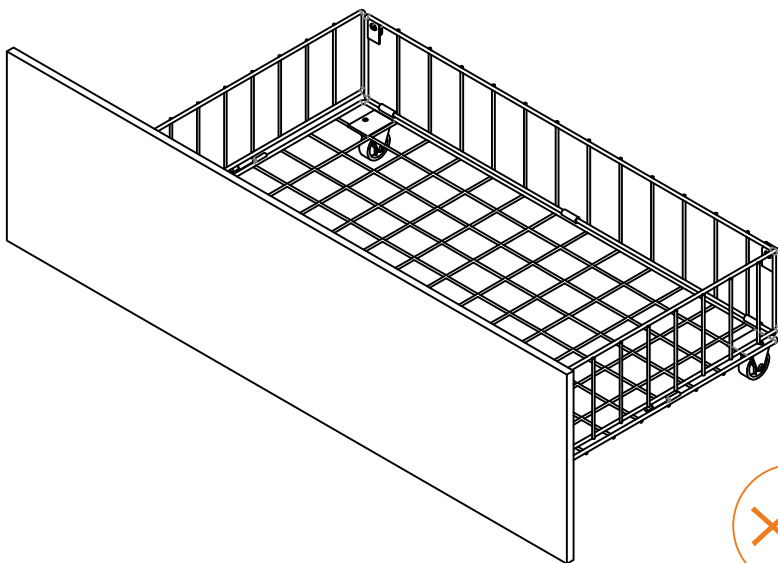
7



8

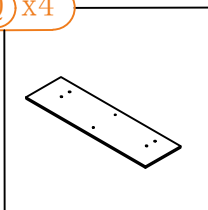


# Assembly Instruction for Drawers

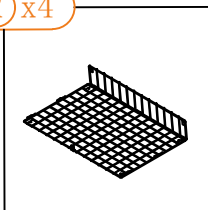


×4

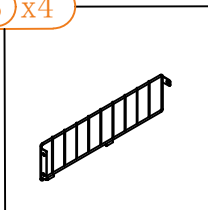
Q x4



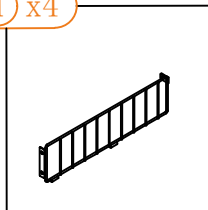
R x4



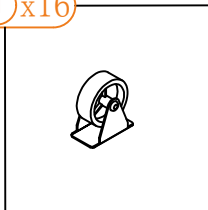
S x4



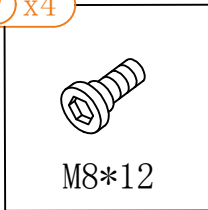
T x4



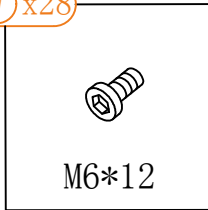
U x16



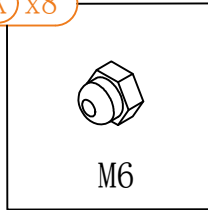
V x4



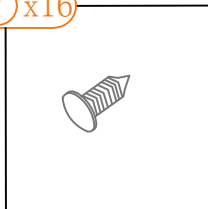
W x28



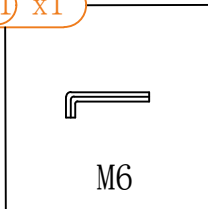
X x8



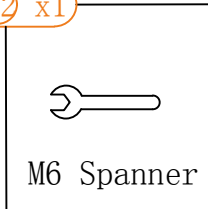
Y x16



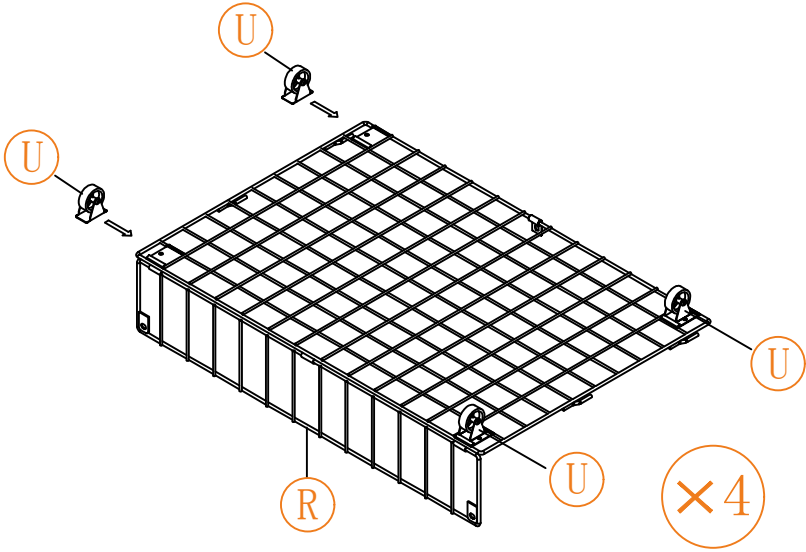
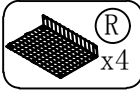
Z1 x1



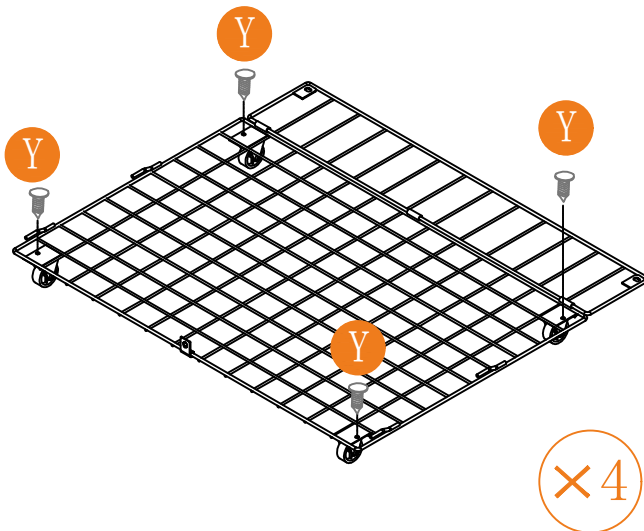
Z2 x1



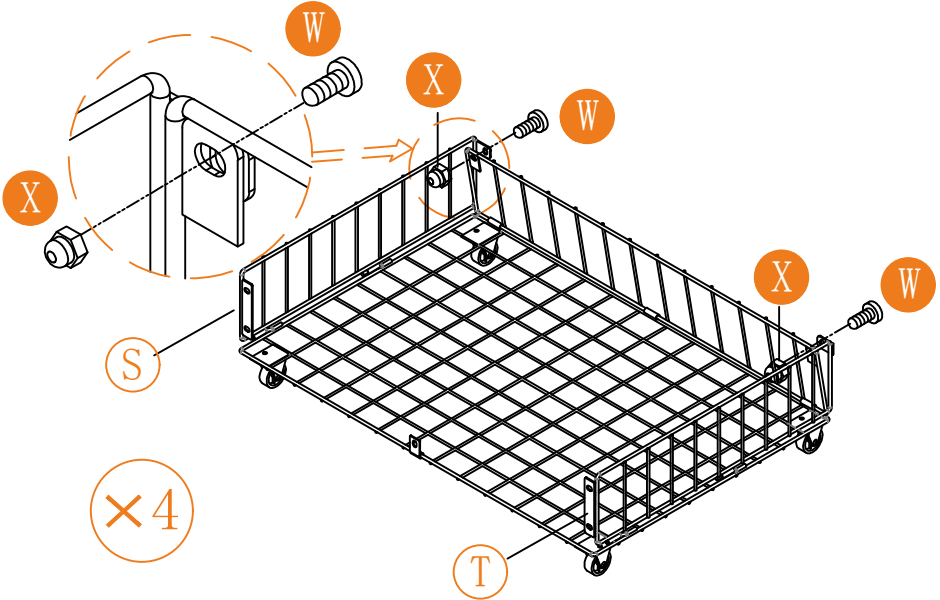
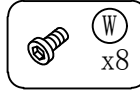
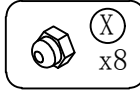
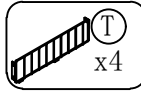
9



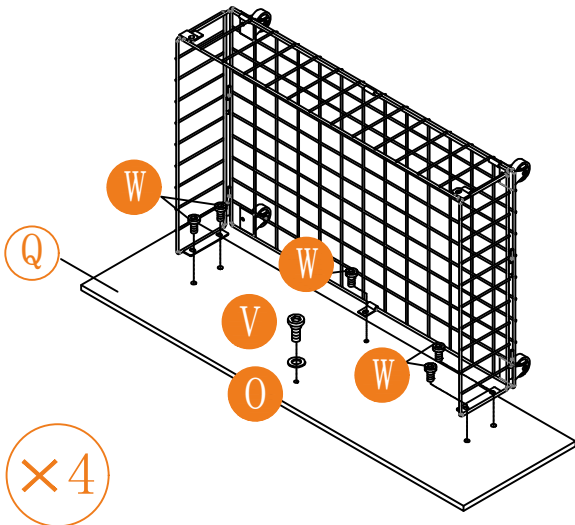
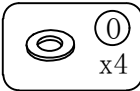
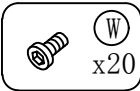
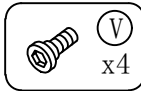
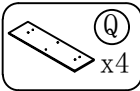
10



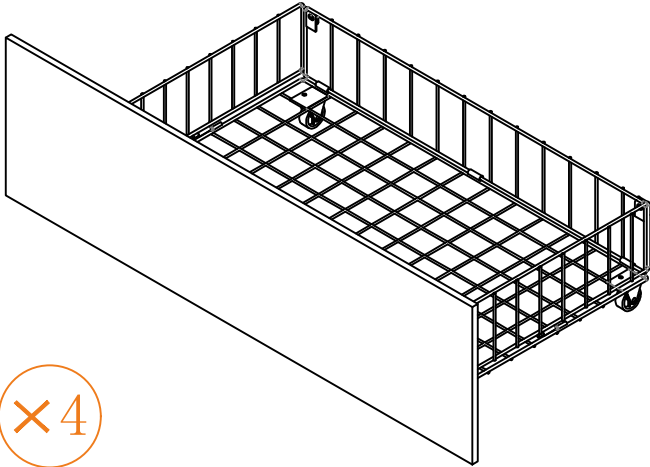
11



12

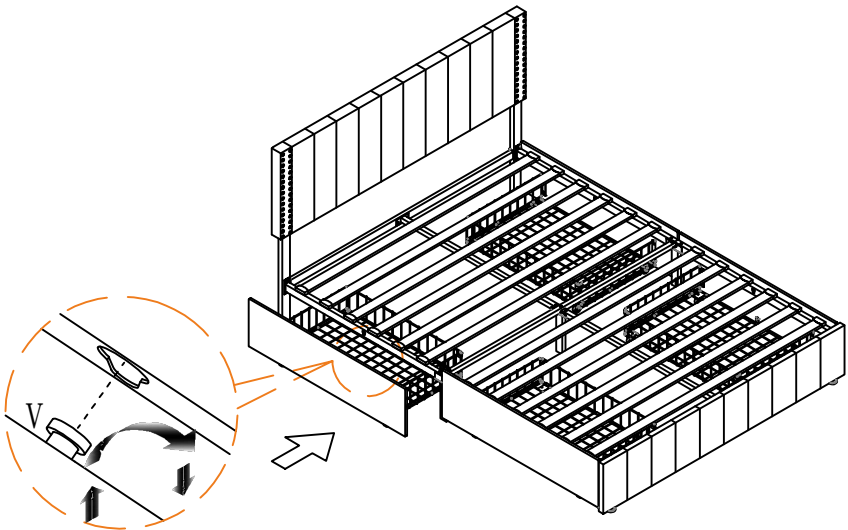


13



×4

14



Lift the panel to allow the "V" to match the hole  $\cap$  to secure the drawers. Same way for pulling out.