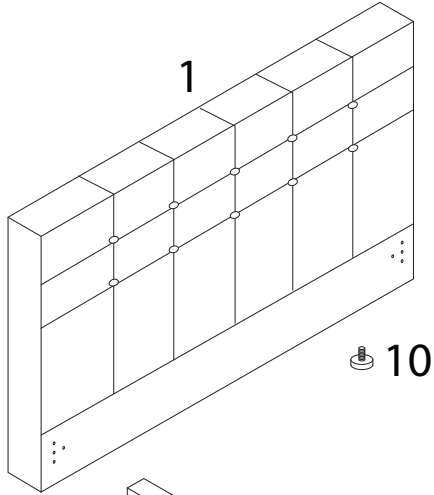
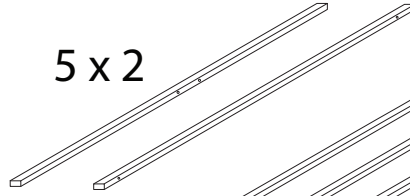


8 x 48

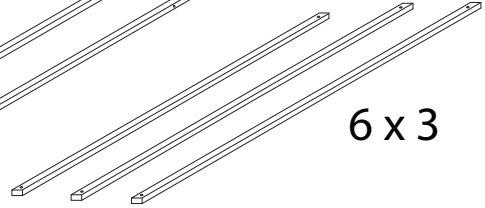
7 x 2



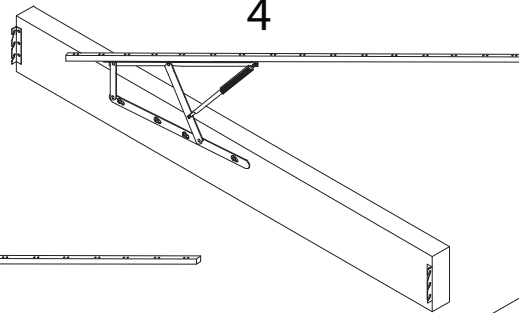
5 x 2



6 x 3

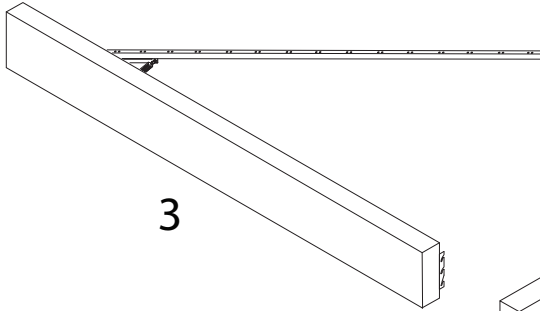


4



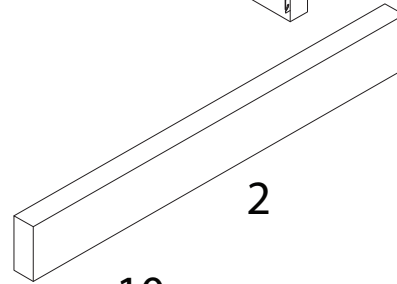
10

10



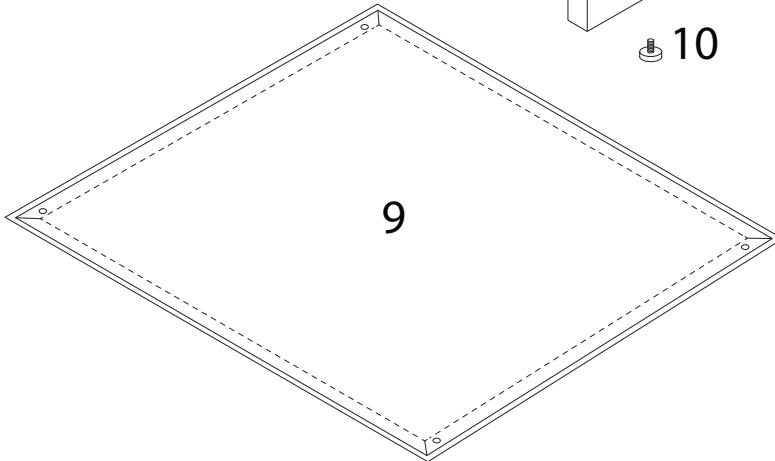
3

10



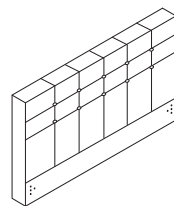
2

10



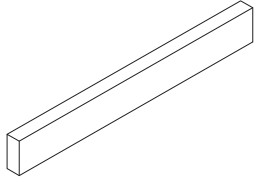
9

1



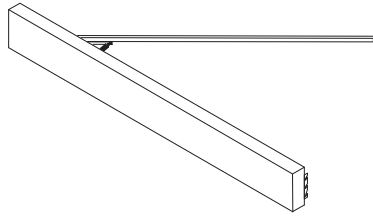
x 1

2



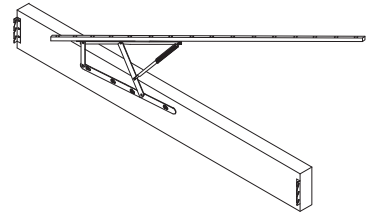
x 1

3



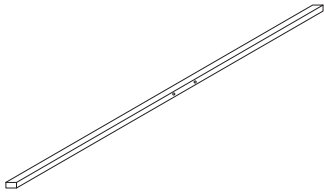
x 1

4



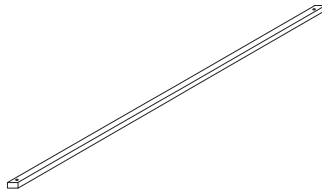
x 1

5



x 2

6



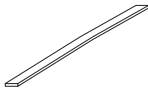
x 3

7



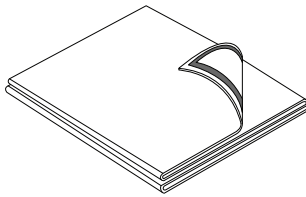
x 2

8



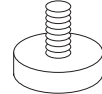
x 48

9



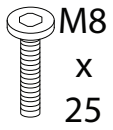
x 1

10



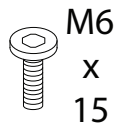
x 4

A



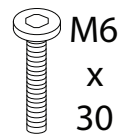
x 12

B



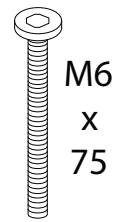
x 16

C



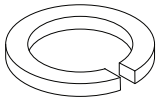
x 6

D



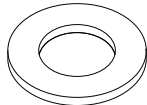
x 8

E



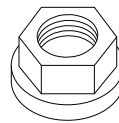
x 12

F



x 12

G



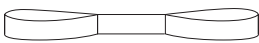
x 2

H



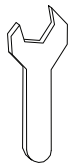
x 1

J



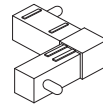
x 2

K



x 1

L



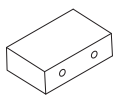
x 4

M



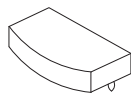
x 4

N



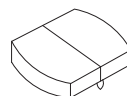
x 4

P



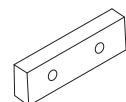
x 32

Q



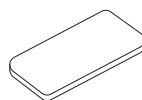
x 32

R



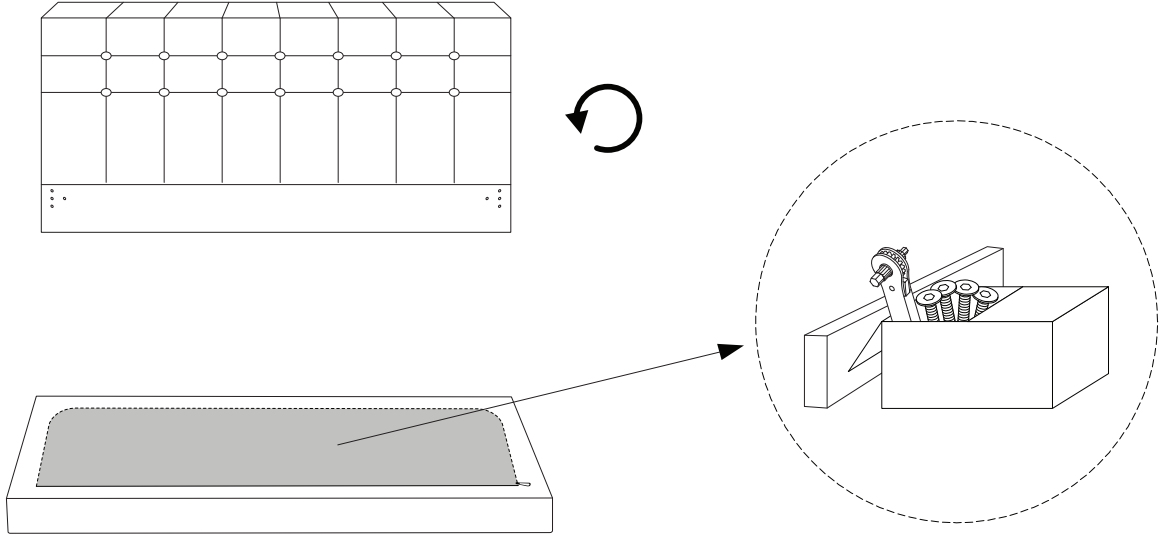
x 2

S

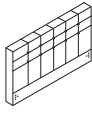
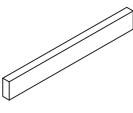
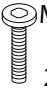
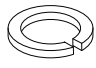




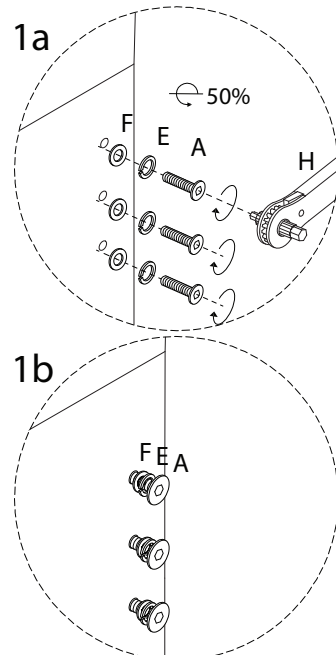
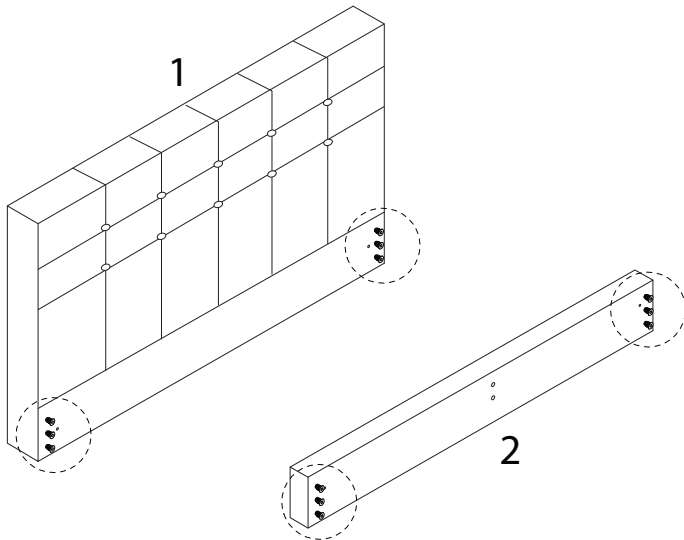
x 6

!

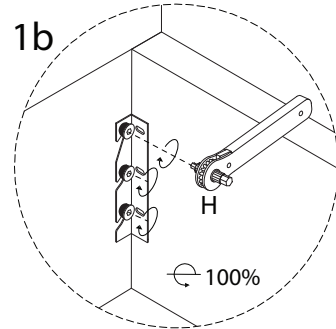
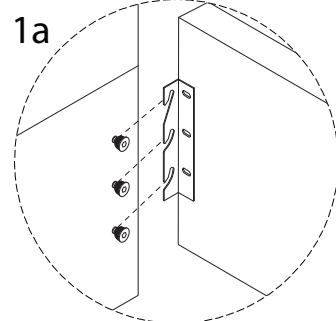
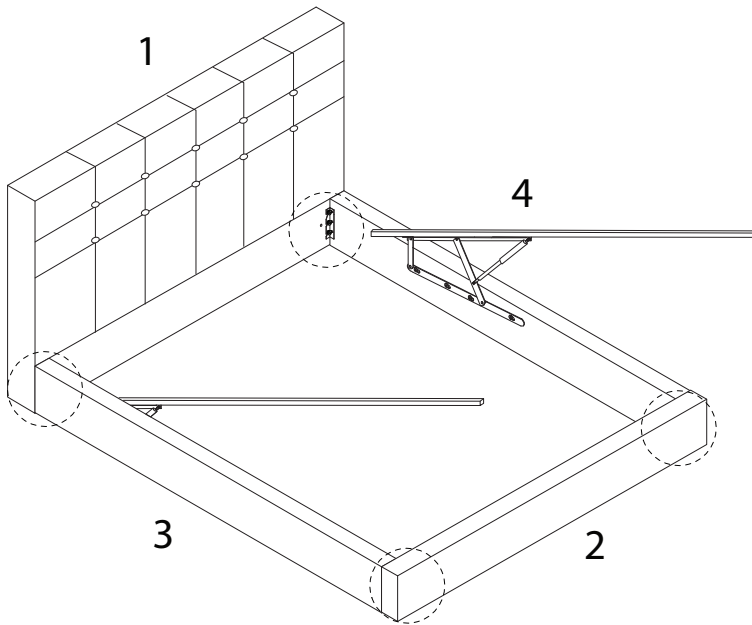
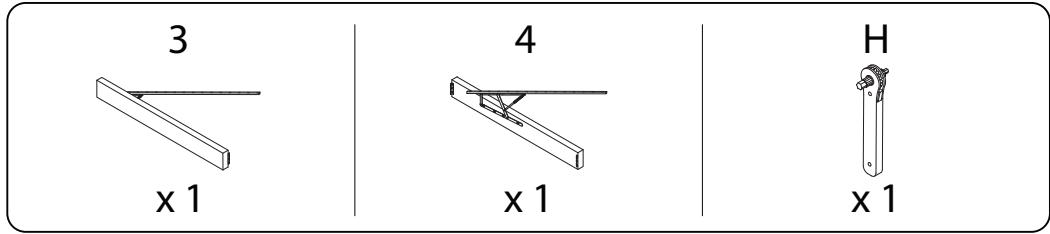


1

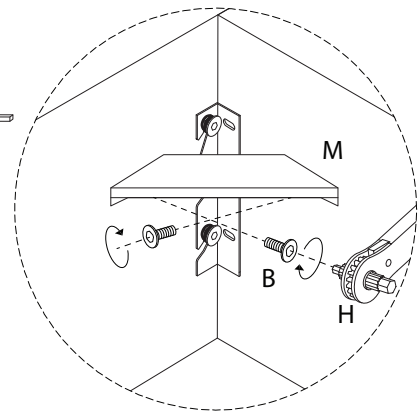
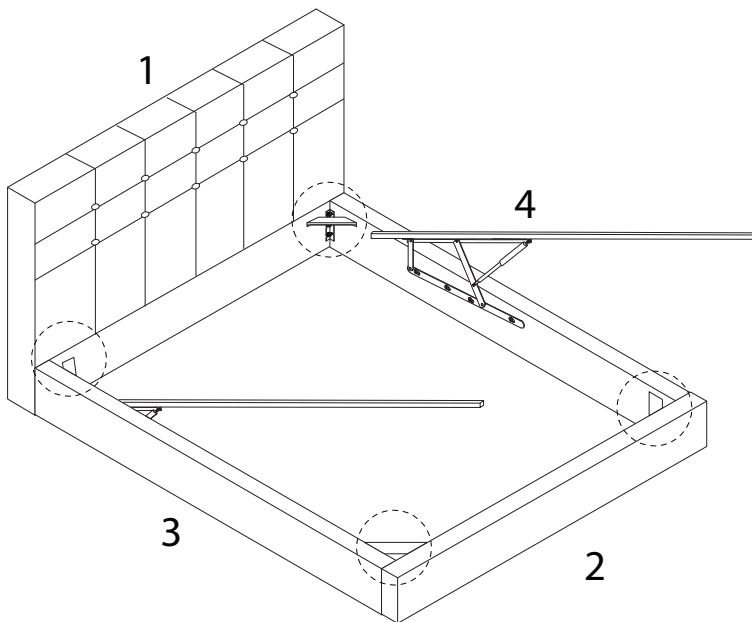
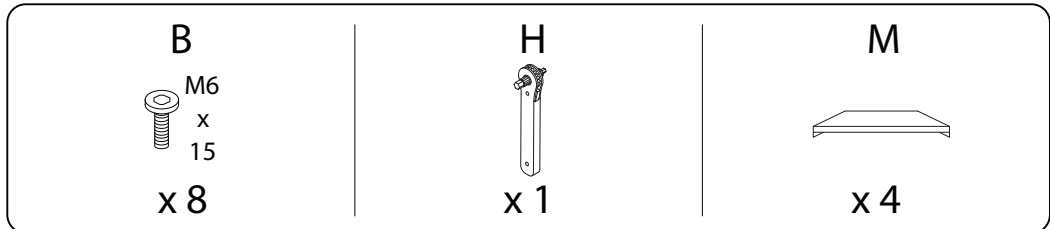
<b>1</b>  x 1	<b>2</b>  x 1	<b>A</b>  M8 x 25 x 12	<b>E</b>  x 12	<b>F</b>  x 12	<b>H</b>  x 1
--	--	--	--	---	--



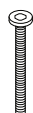
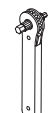
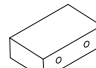
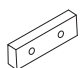
2

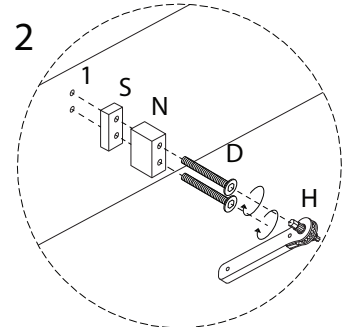
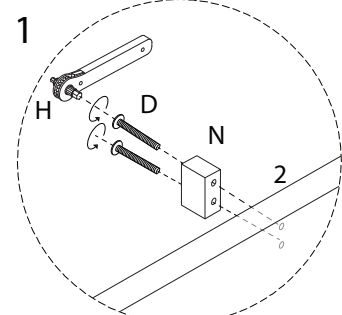
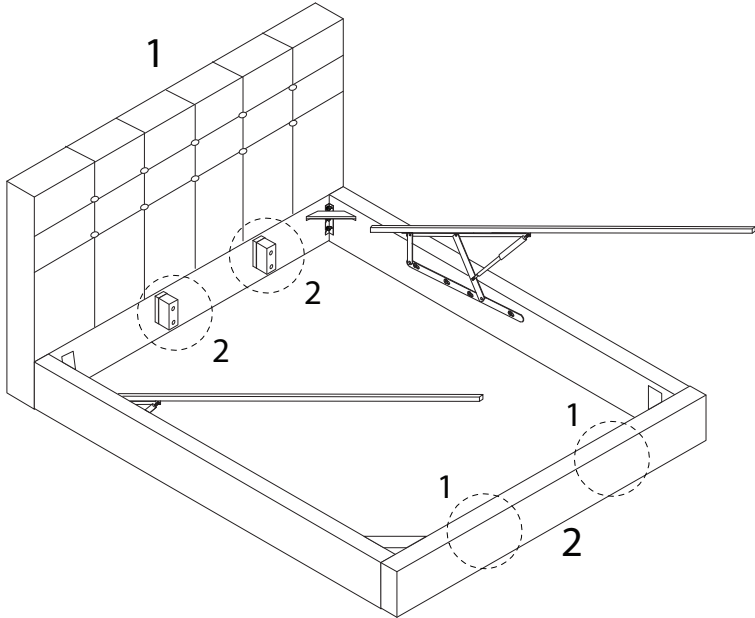


3

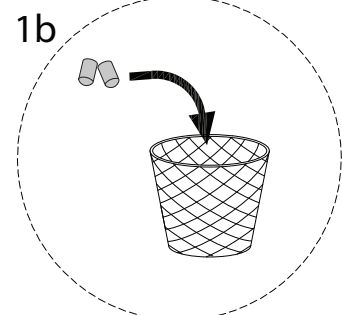
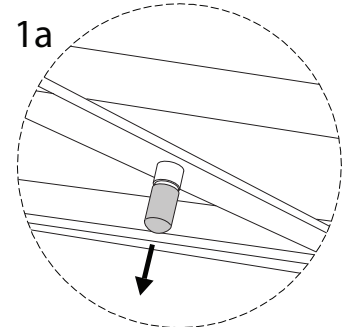
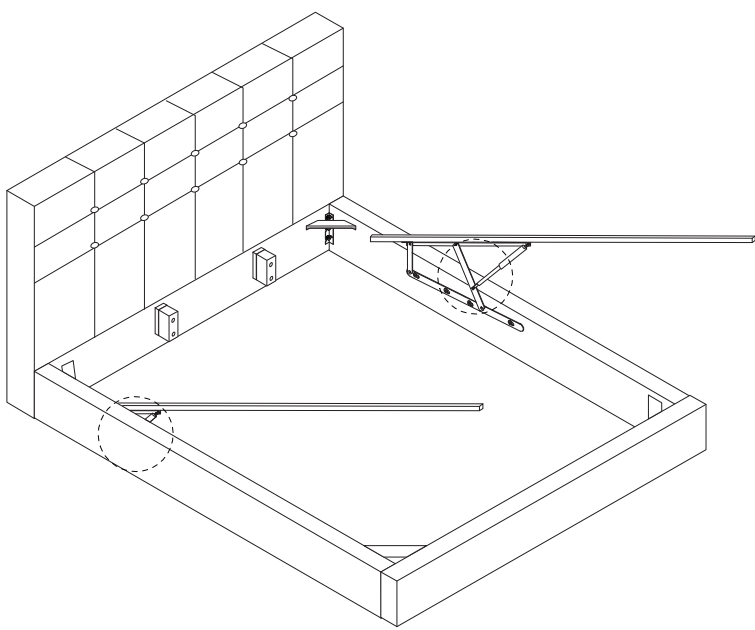


4

<b>D</b>  x 8	<b>H</b>  x 1	<b>N</b>  x 4	<b>S</b>  x 2
--	--	---	--



!



5

G

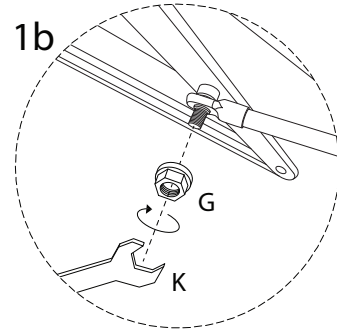
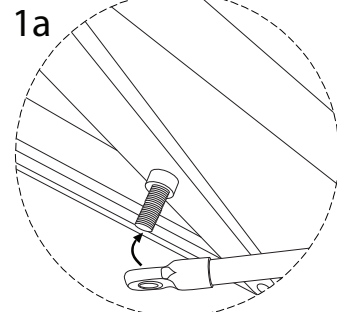
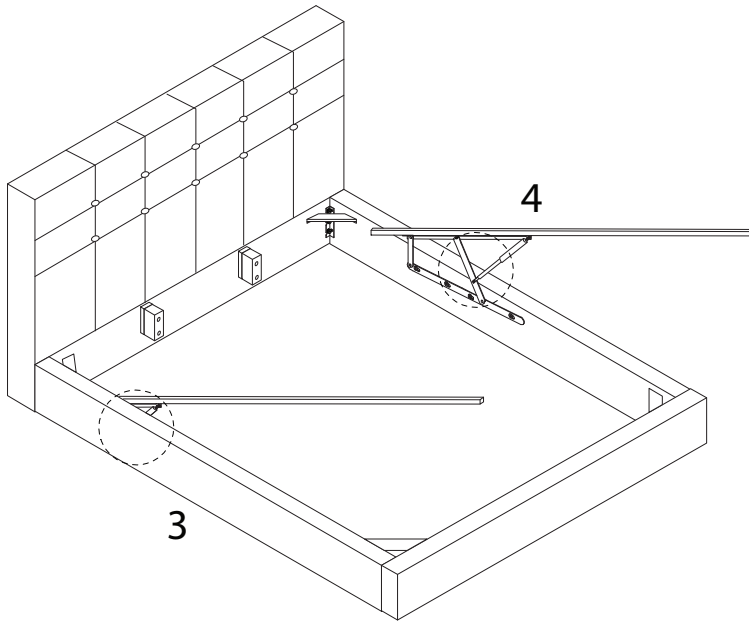


x 2

K

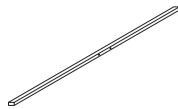


x 1



6 x 2

5

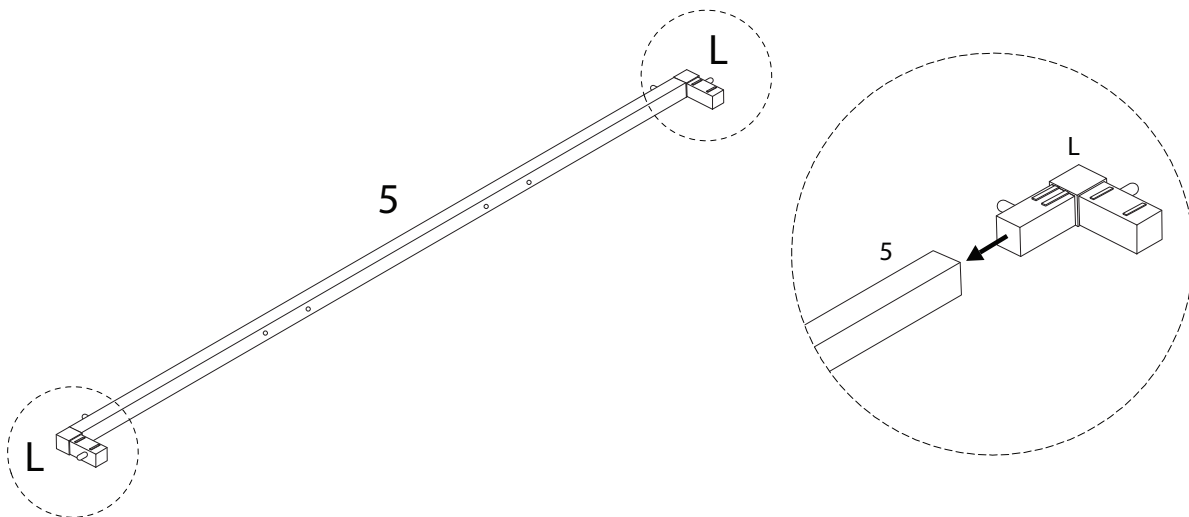


x 1

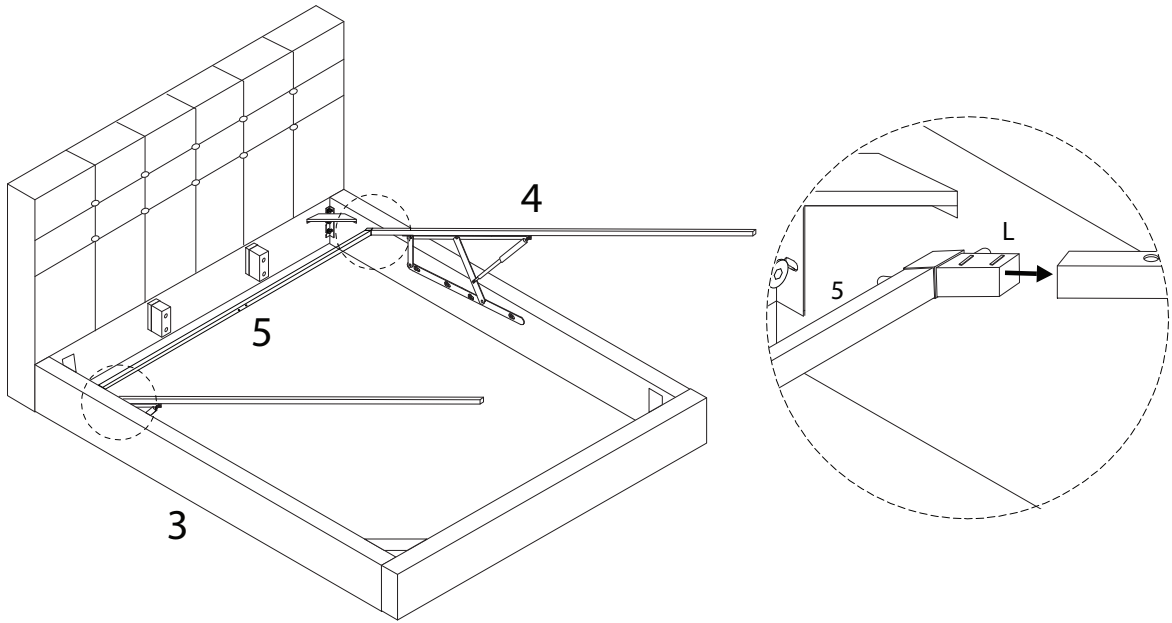
L



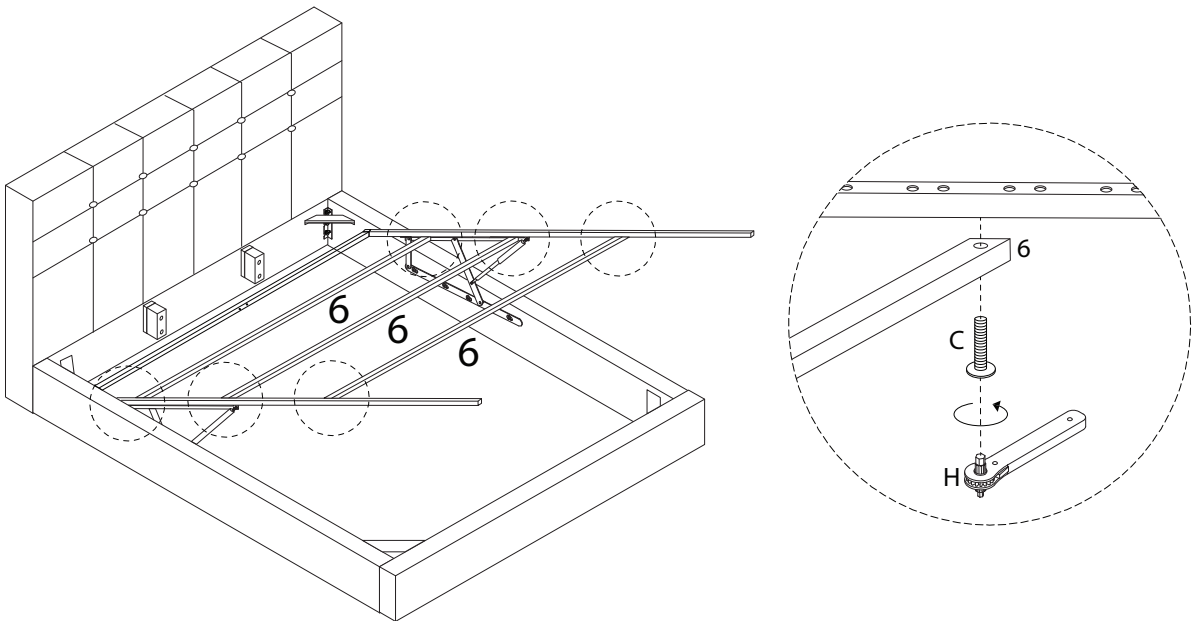
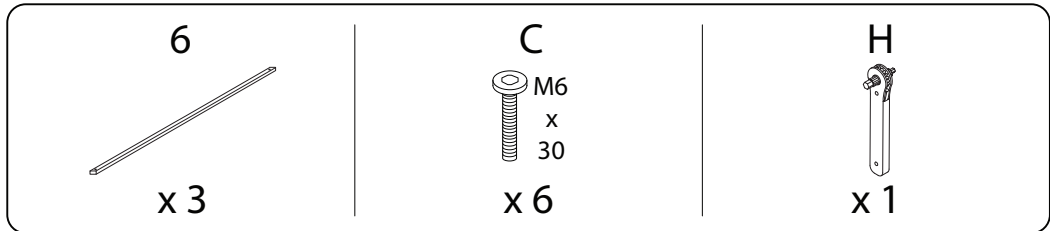
x 2



7

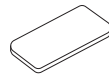


8

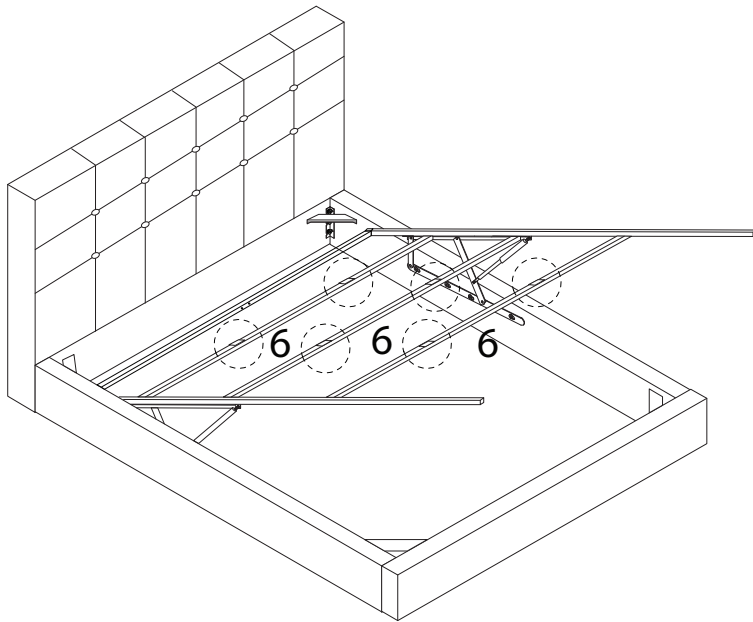


9

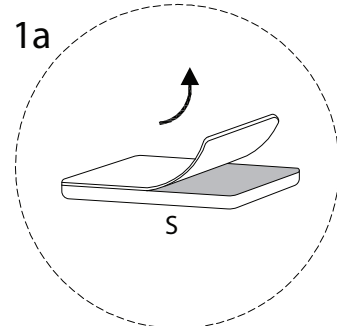
S



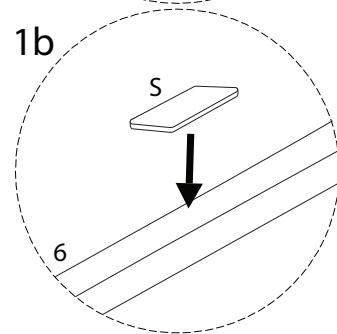
x 6



1a



1b



10

7



x 2

8

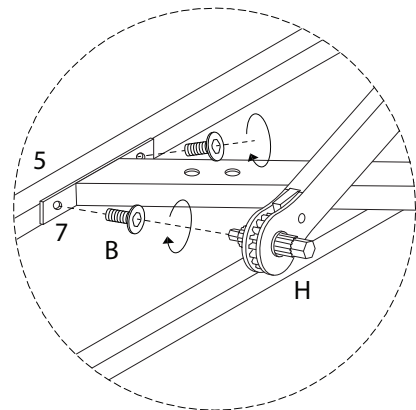
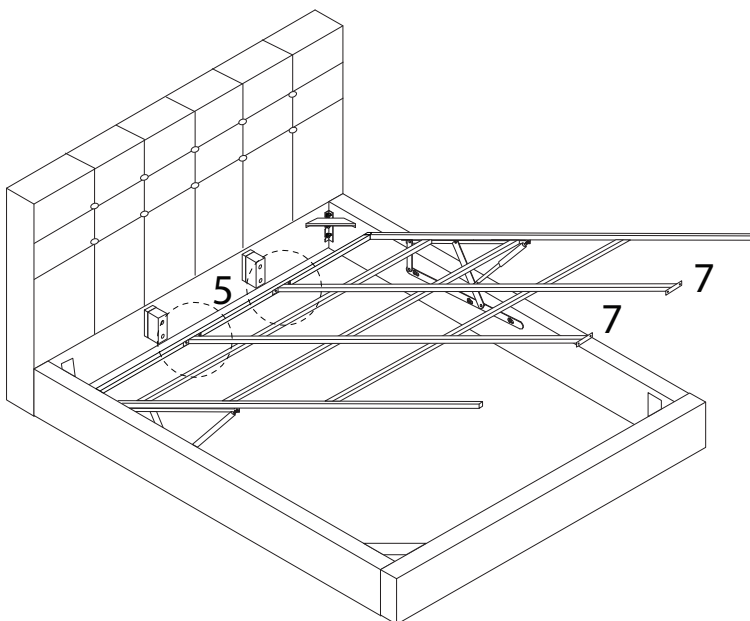


x 4

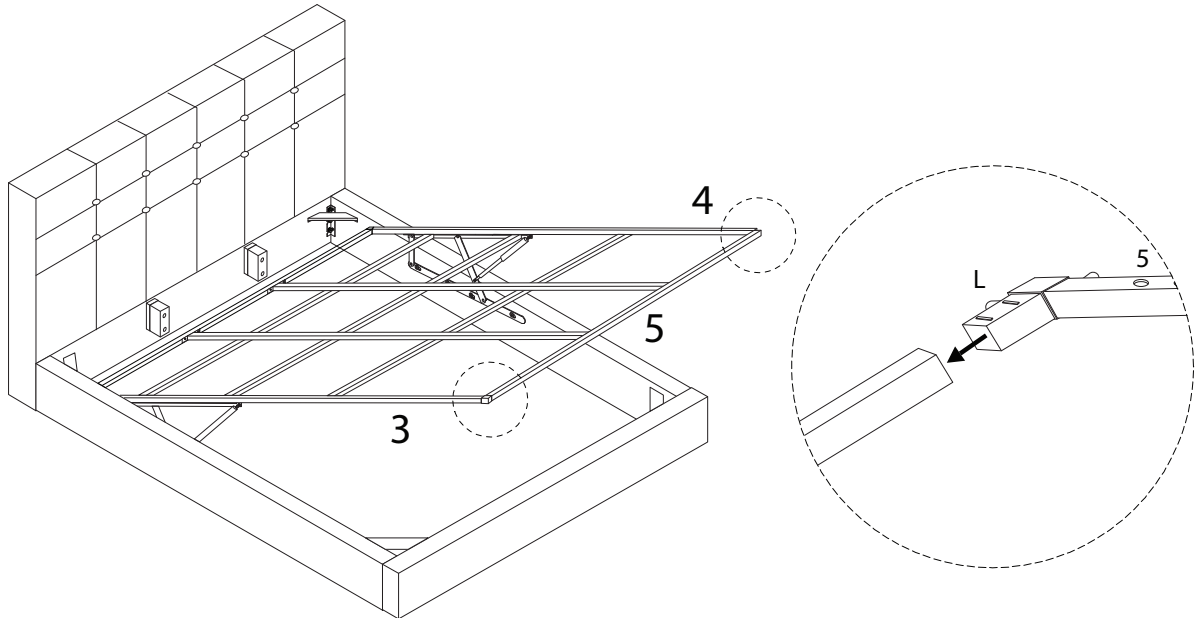
H



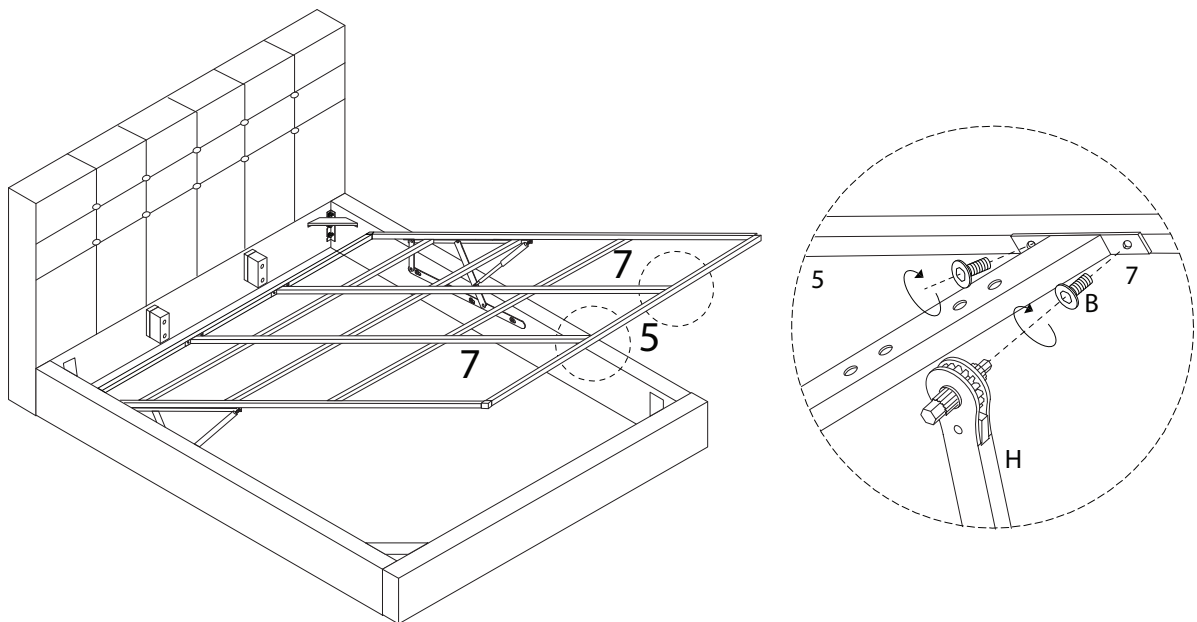
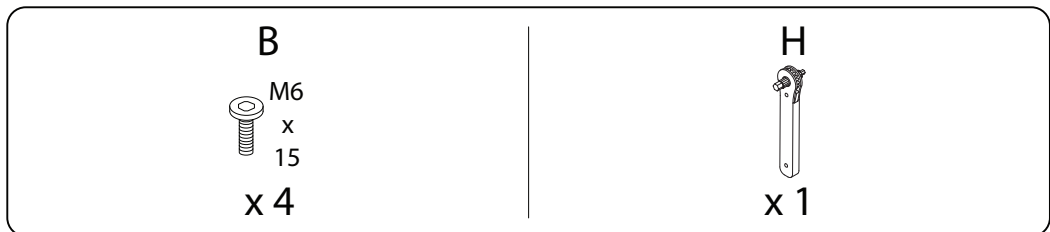
x 1



11

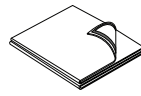


12

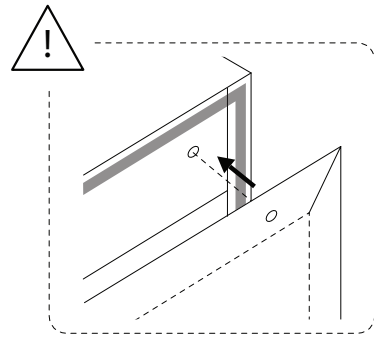
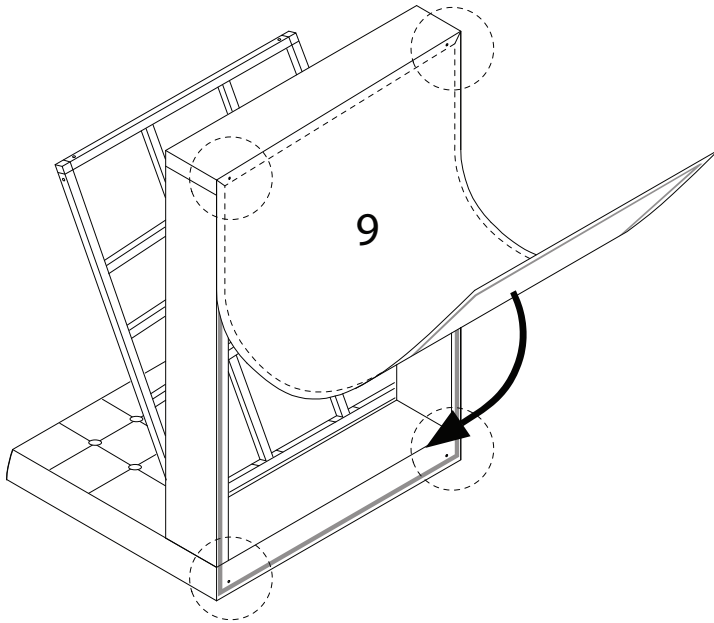


13

9



x 1

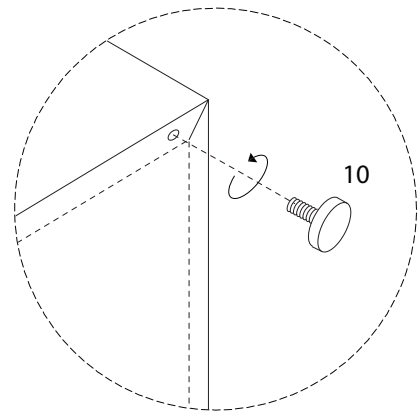
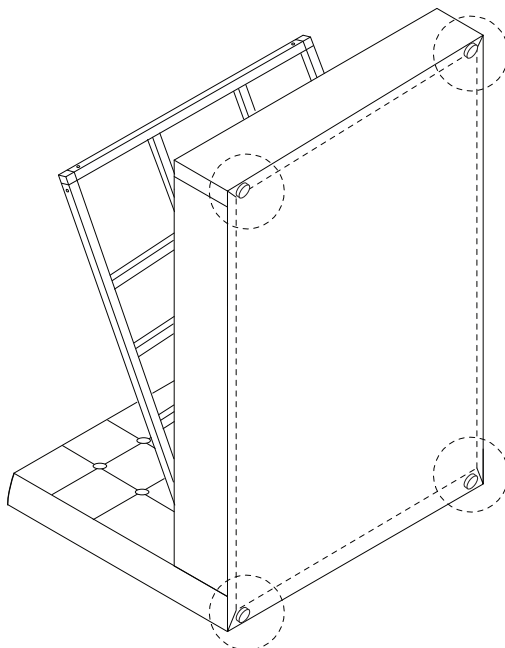


14

10



x 4

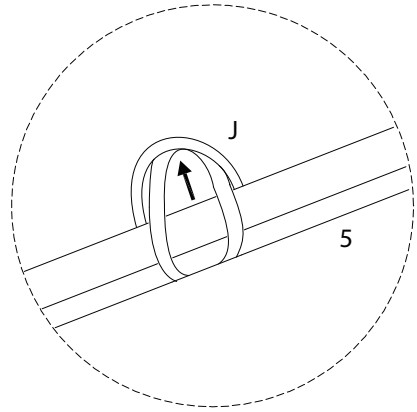
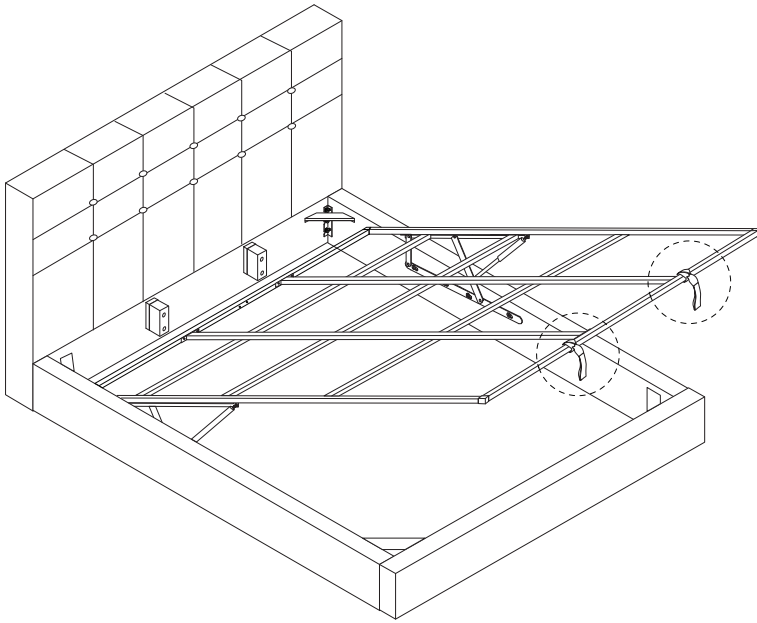


15

J

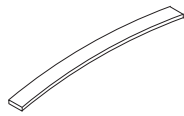


x2



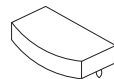
16 x 16

8



x3

P

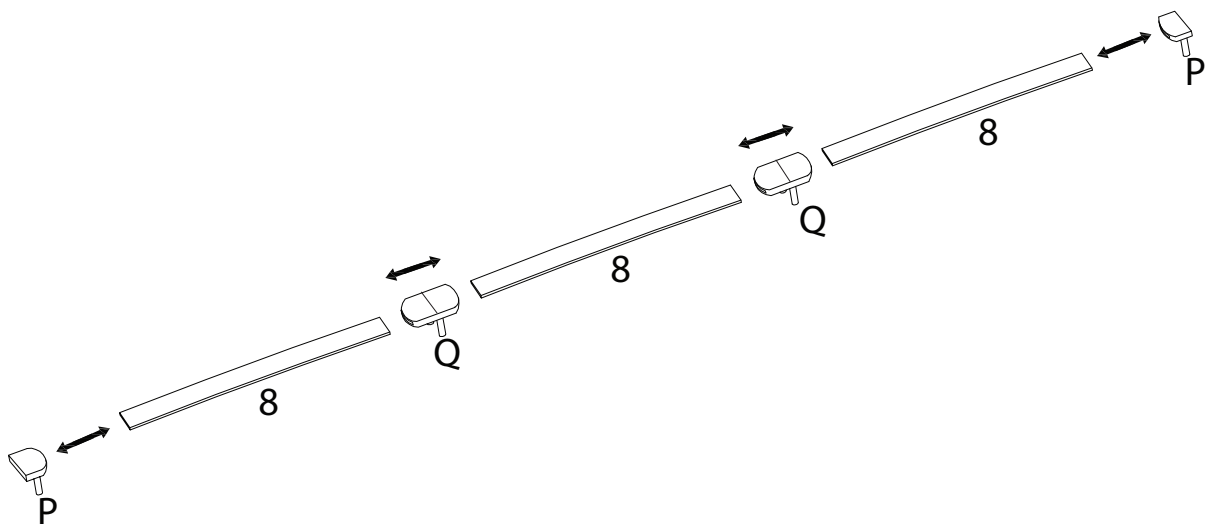


x2

Q



x2



17

