

AFTER THE INSTALLATION:

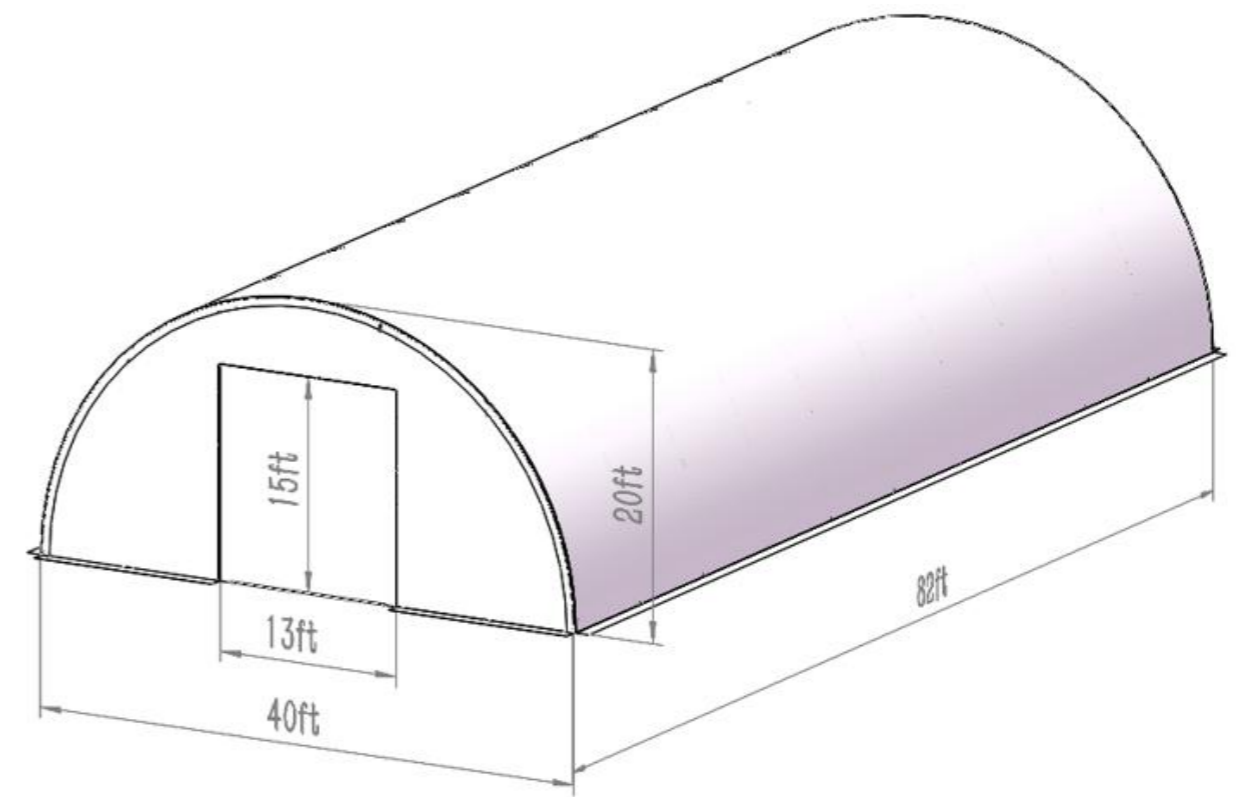
Walk around and inspect the building periodically to make sure all components are still firmly secured and the whole building is well supported. Check all bolts and nuts as well as all connection points to make sure they are all in good position. Check the base plates, adjust the ropes and tie downs if required and clean the cover regularly.

Snow accumulating on the fabric cover must be removed as soon as possible, If snow becomes solid ice on the cover, it will increase the weight on the roof and collapses the building or reduce the life span eventually.

Keep the building on a dry ground most of the time. Do not keep the fabric dirt skirt under water all the time, otherwise the fabric will deteriorate.

We strongly recommend you remove any snow from the roof immediately. Do not leave any snow load on the roof overnight. Keep 3 feet of clearance on all sides at all times. Do not allow snow to accumulate and pile up on the sides of the building. Otherwise the push from the sides toward inside will make the building collapsed at some point.

Assembly Instructions



Model:KS4080

Recommended Foundation: W12XD25m

CAUTION:SOME PARTS HAVE SHARP EDGES.CARE MUST BE TAKEN WHEN HANDLING THE VARIOUS PIECES TO AVOID AMISHAP. FOR SAFETY SAKE,PLEASE READ SAFETY INFORMATION PROVIDED IN THIS MANUAL BEFORE BEGINNING CONSTRUCTION.WEAR GLOVES WHEN HANDLING METAL PARTS.

MAIN SPECIFICATIONS :

- . Assembly size : W12 x L25 x H6.1(m) / 40 x 82 x 20 (ft)
- . Outside width : 12 m / 40ft, inside width : 12 m / 40ft, length : 25 m / 82 ft
- . Ridge peak height : 6.1 m / 20 ft
- . Roll up door : 4x 4.5(m) / 13.1 x 14.7(ft) (The front and rear doors are the same size).

PRIOR TO ASSEMBLY

Please go through the whole instruction manual completely. It is very important to follow your local safety regulations and industry standards during installation.

Regulations may include but are not limited to :

- Safety helmets, protective eyewear, and clothing
- Safety harnesses for all elevated workers
- Proper ladder, cage, and safety operation

Check all components and parts before installation. All parts are marked with a part number, please refer to the parts list to ensure you have all parts.

Choose a day with low or no wind to install, it is hard to assemble with heavy wind. Do not make any alterations to the structure. Do not hang any weight on the frame during installation, including parts. We are not responsible for any damages or injuries caused by inappropriate installation, unauthorized modifications or extreme weather.
















This building is not intended for human occupancy.





Check the parts list below to make sure all parts are received prior to assembly.

PARTS LIST

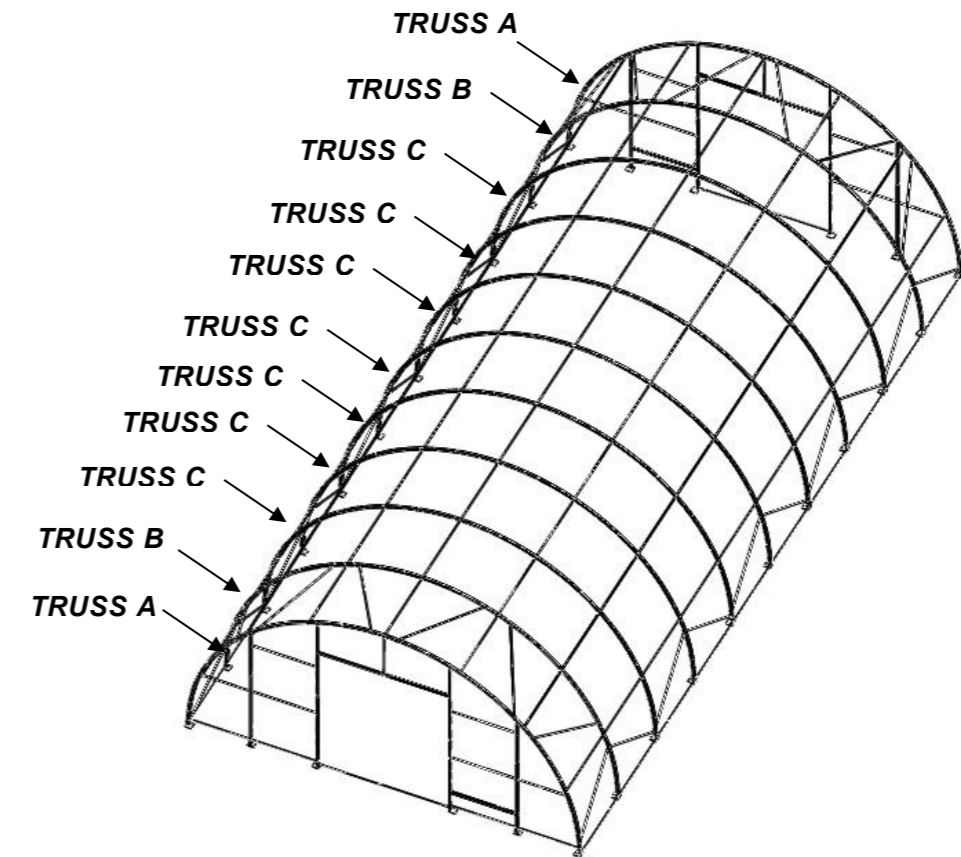
Item no.	Reference Image	Qty.	Item no.	Reference Image	Qty.
1		2	15		9
2		2	16		14
3		2	17		14
4		2	18		14
5		2	19		4
6		2	20		4
7		9	21		2
7A		9	22		2
8		4	23		2
9		4	24		4
10		4	25		4
11		2	26		8
12		4	27		4
13		4	28		2
14		4	29		32

PARTS LIST

Item no.	Reference Image	Qty.
29A		20
29B		12
30		70
31		1
32		1
33		38
33A		8
34		2
34A		2
37		34
38		34
39		100
40		116
41		232
42		125

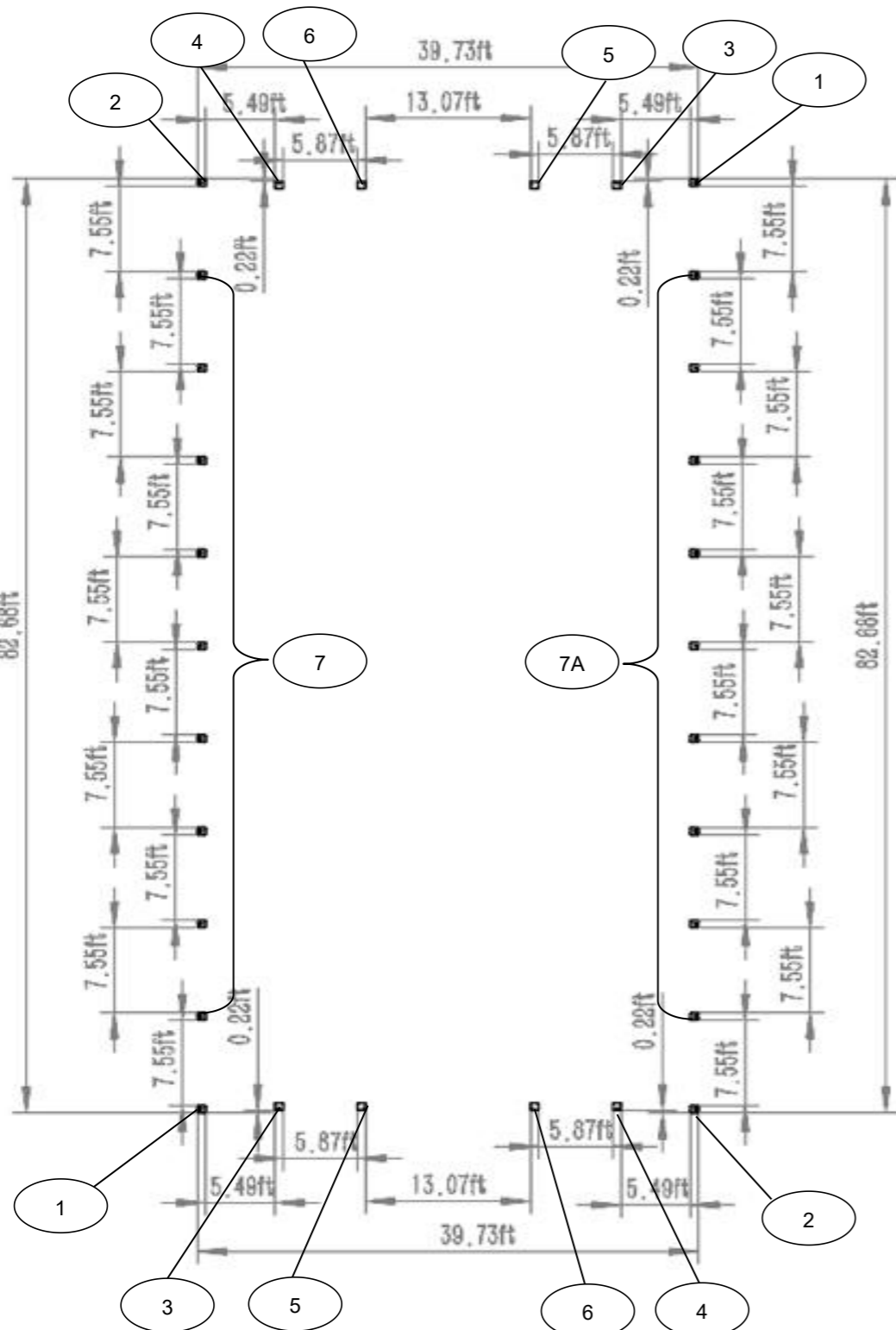
Item no.	Reference Image	Qty.
43		34
44		64
45		32
L1		16

FRAME



Step 1

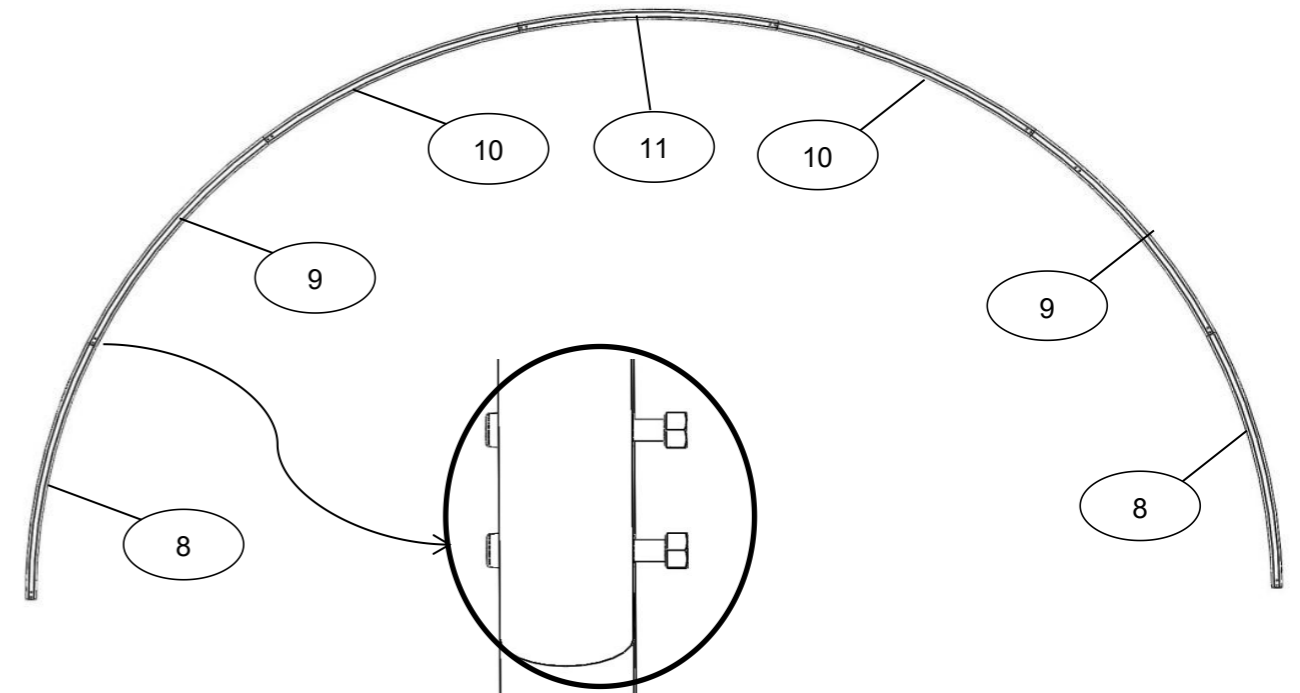
1x2 2x2 3x2 4x2 5x2 6x2 7x9 7Ax9 40x116



Step 2

8x4 9x4 10x4 11x2 41x24

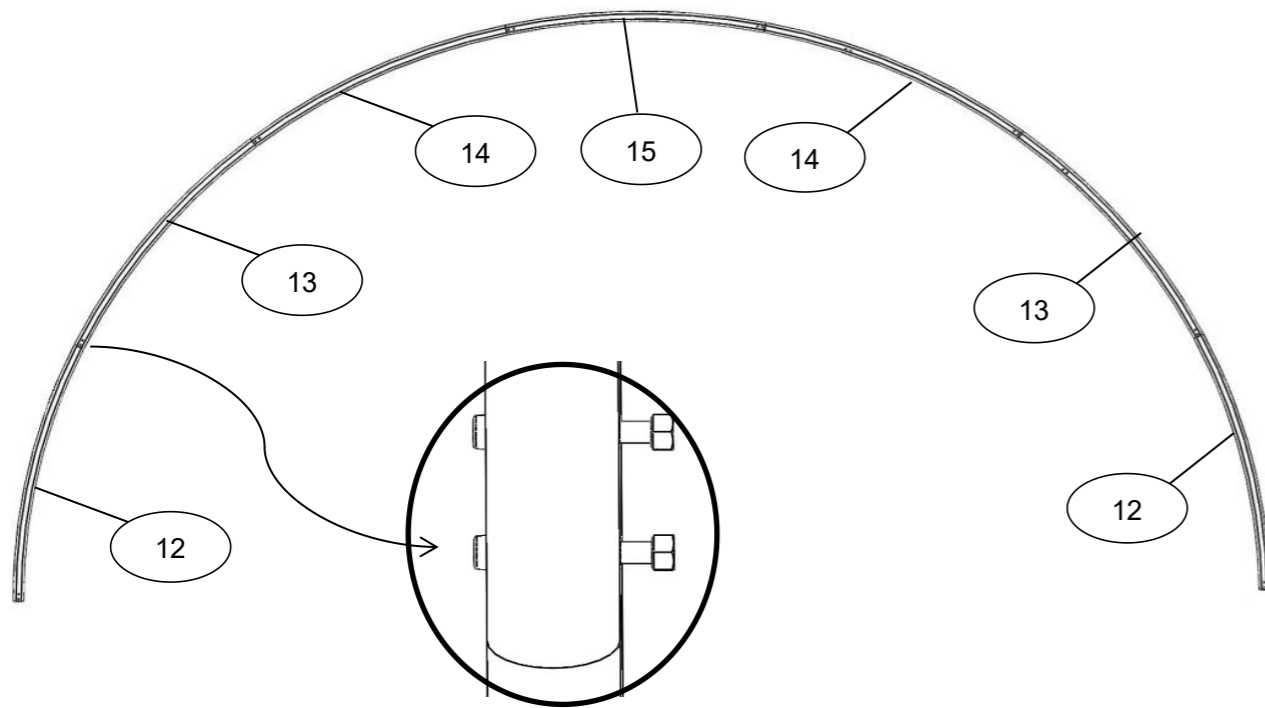
TRUSSA X2



Step 3

12x4 13x4 14x4 15x2 41x24

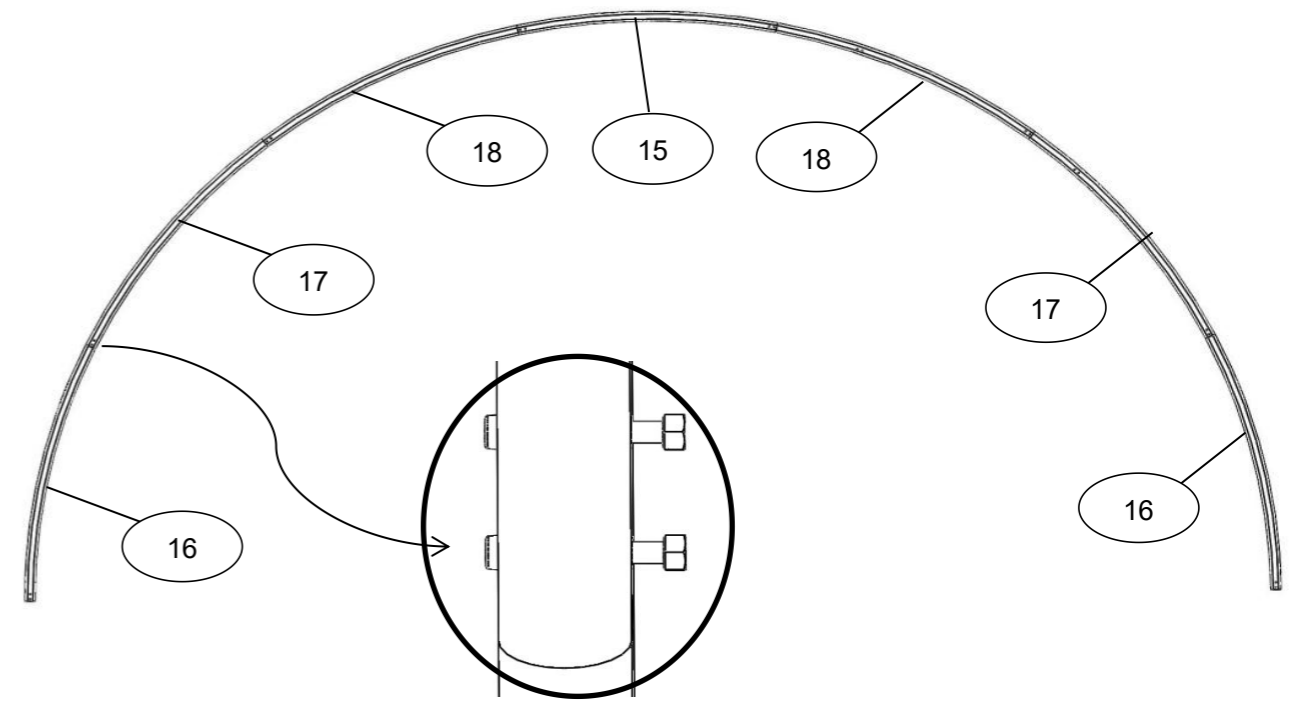
TRUSSB X2



Step 4

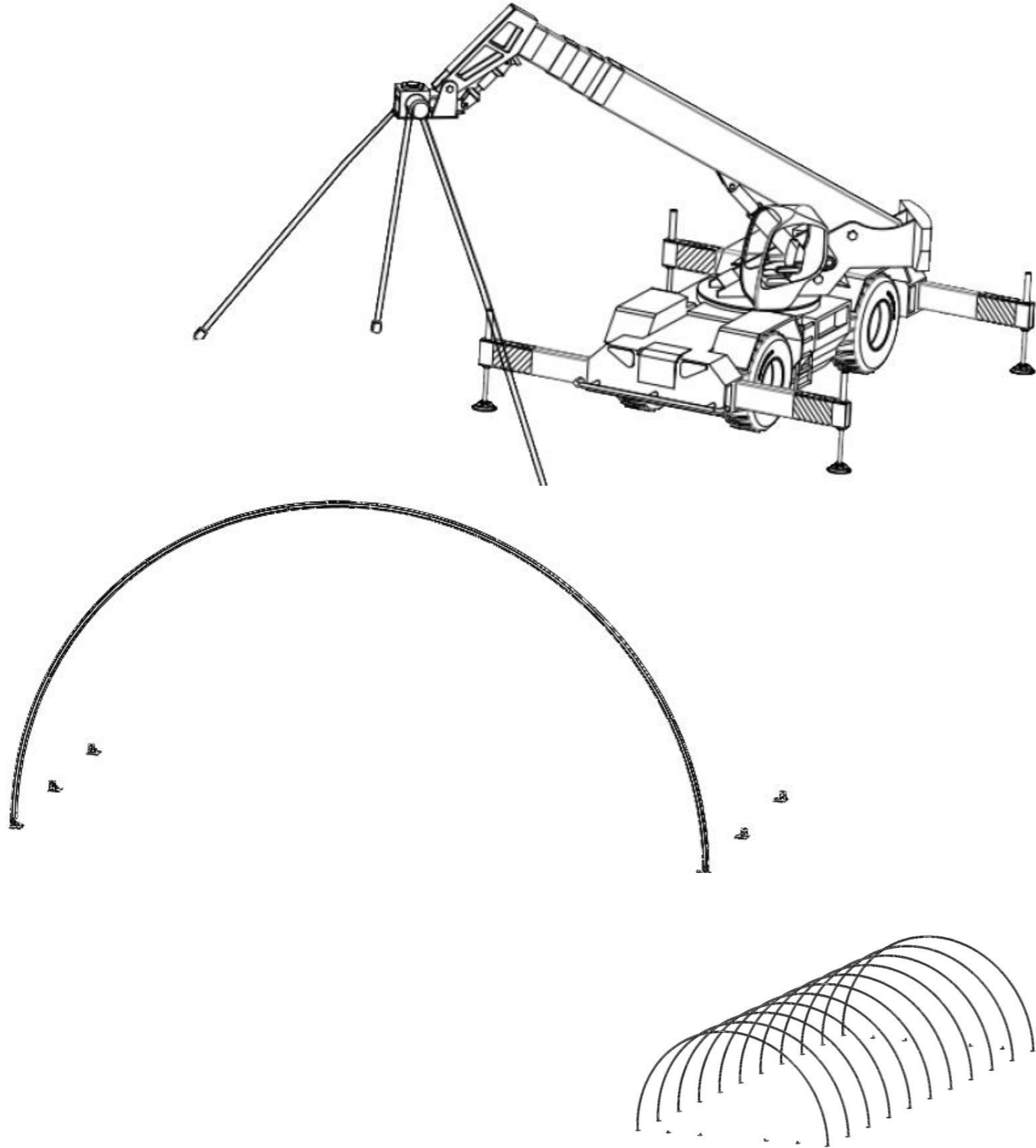
15x7 16x14 17x14 18x14 41x84

TRUSSC X7



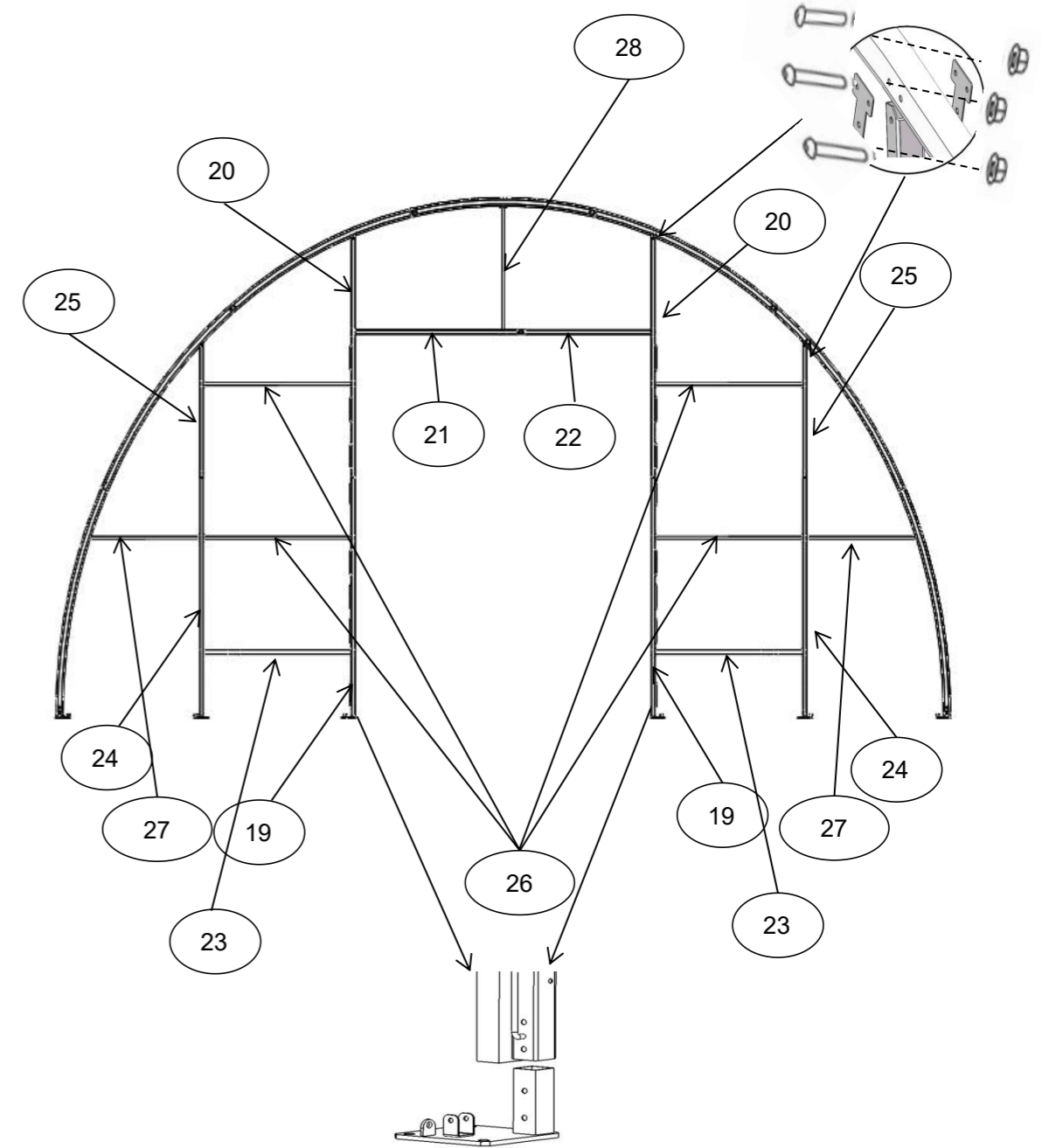
Step 5

41x44



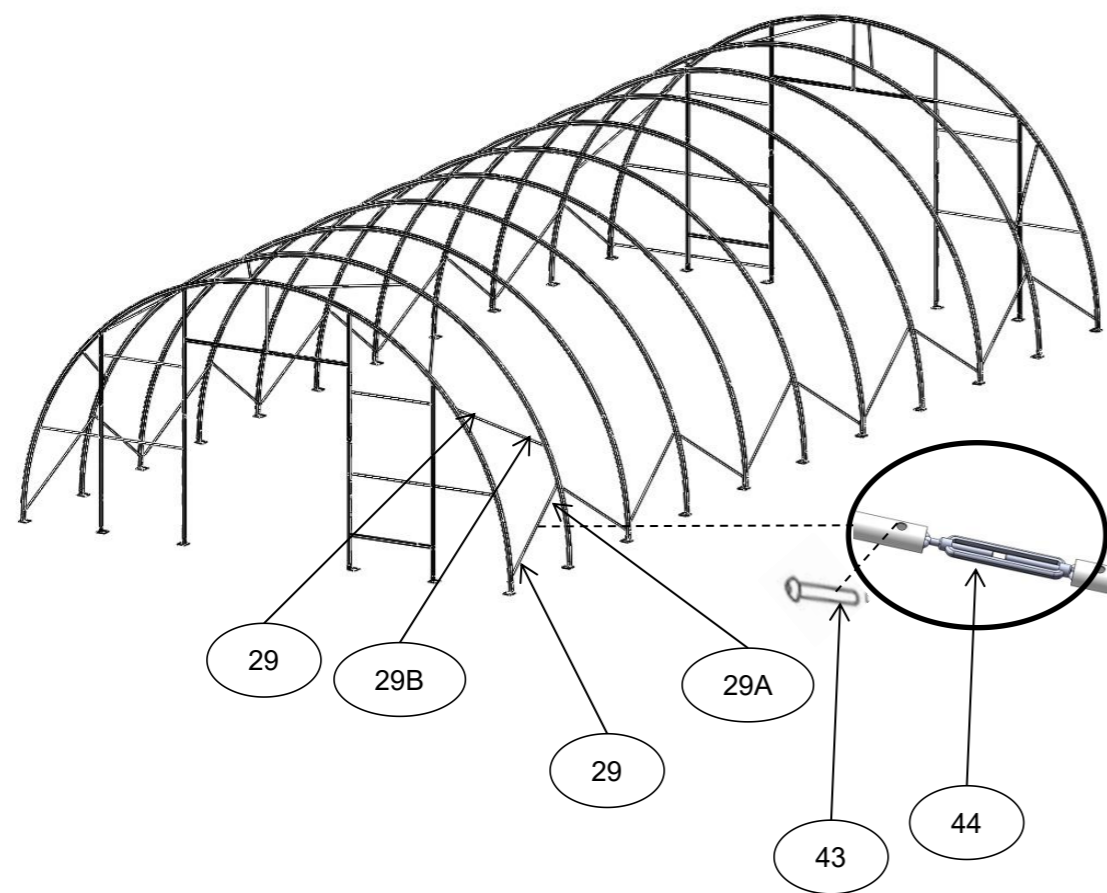
Step 6

19X4 20x4 21x2 22x2 23x2 24x4 25x4 26x8 27x4 28x2 41x100 42x4 L1x16



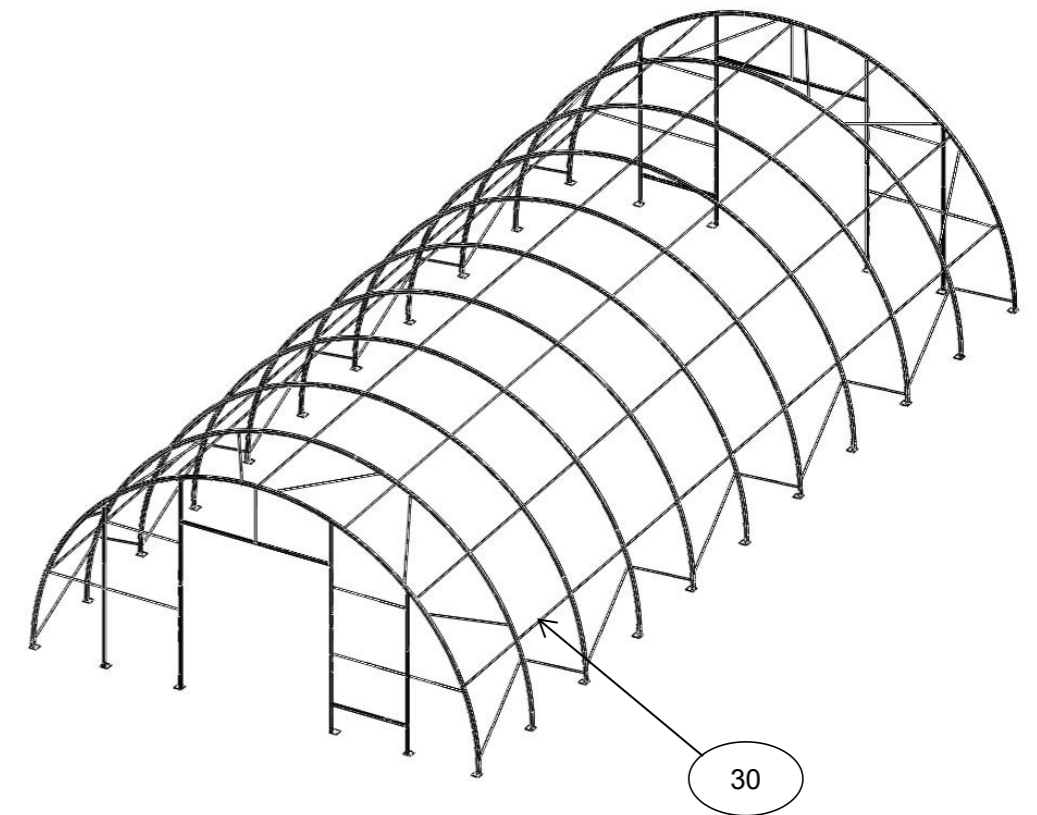
Step 7

29x32 29AX20 29BX12 42x46 43X64 44X32



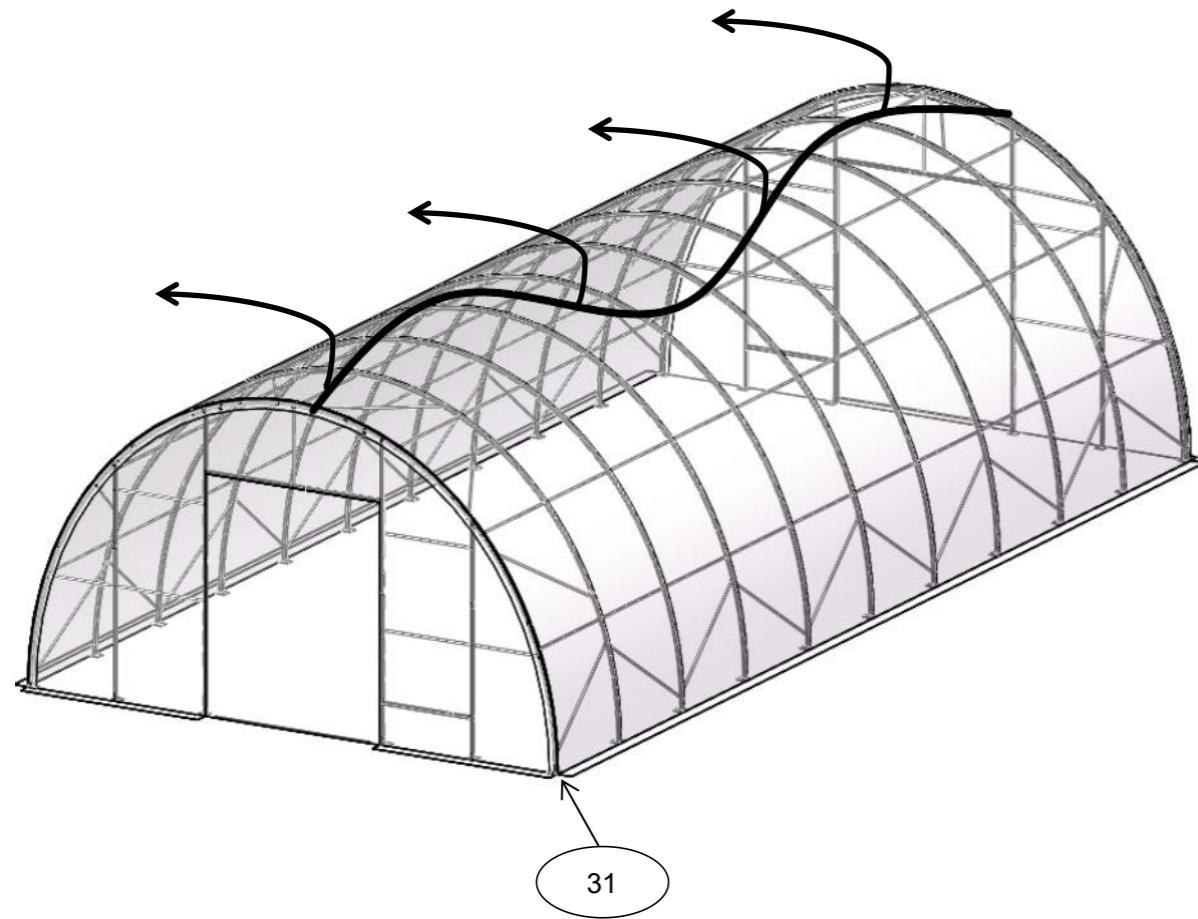
Step 8

30x70 42x77



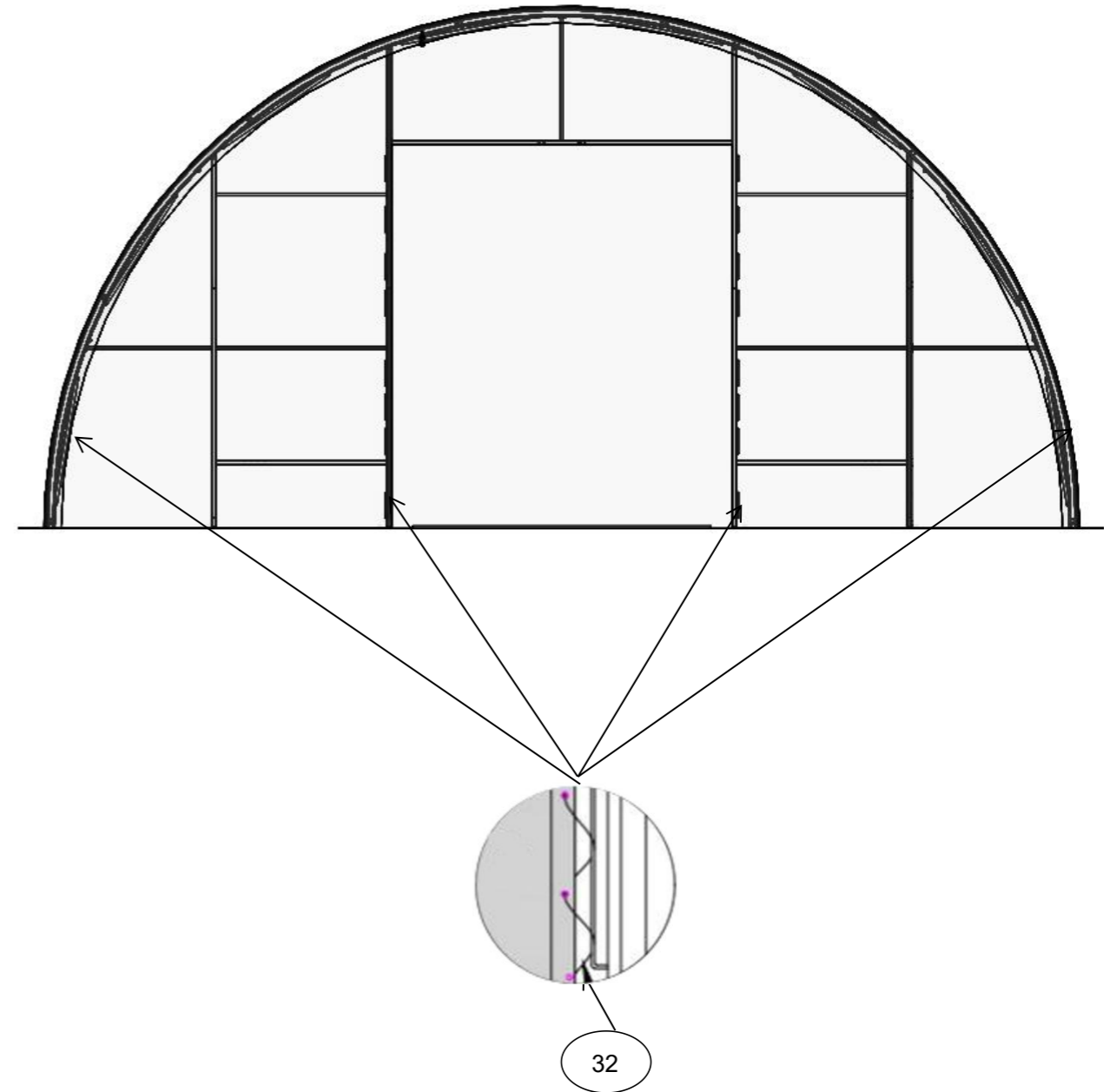
Step 9

31X1



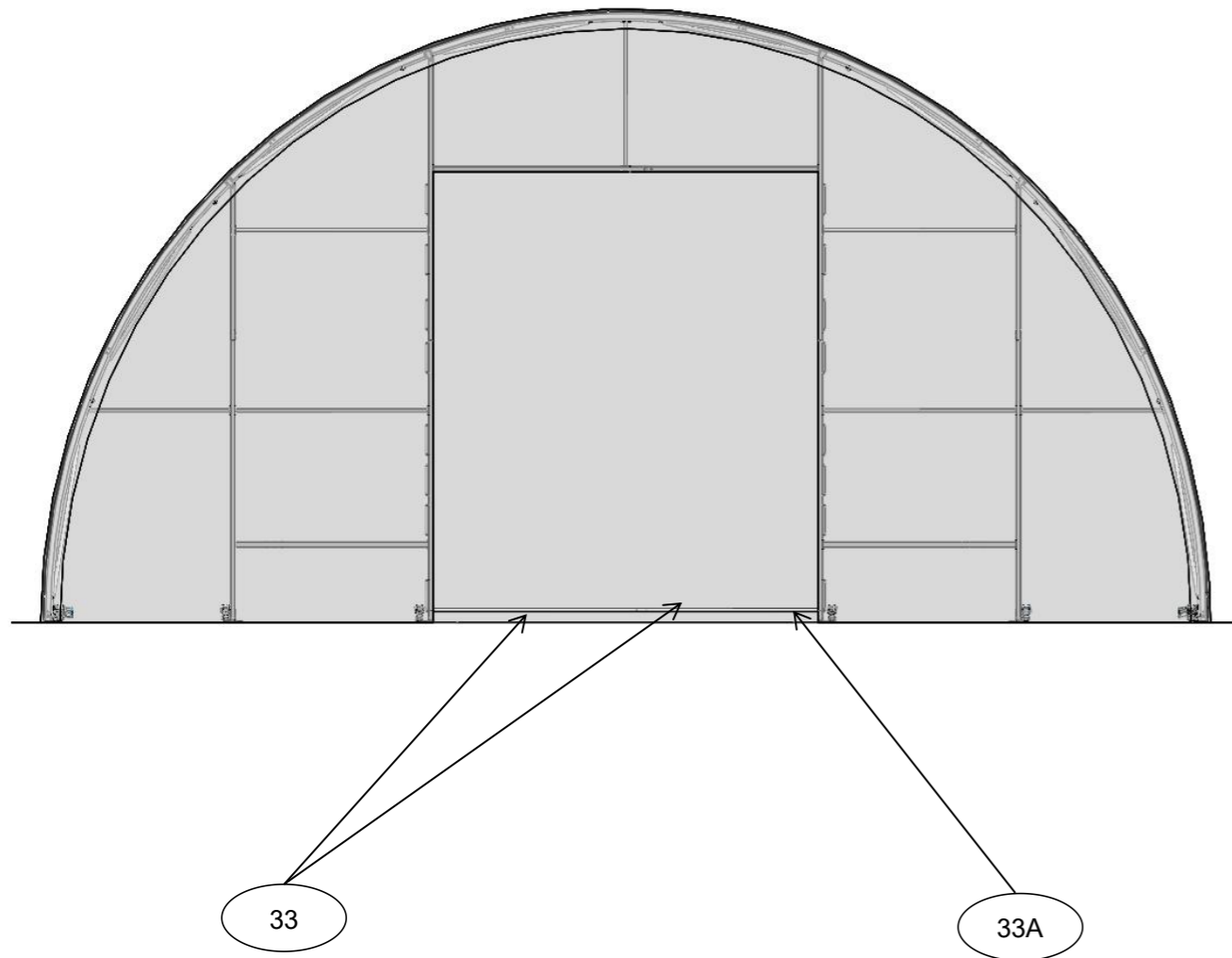
Step 10

32x1



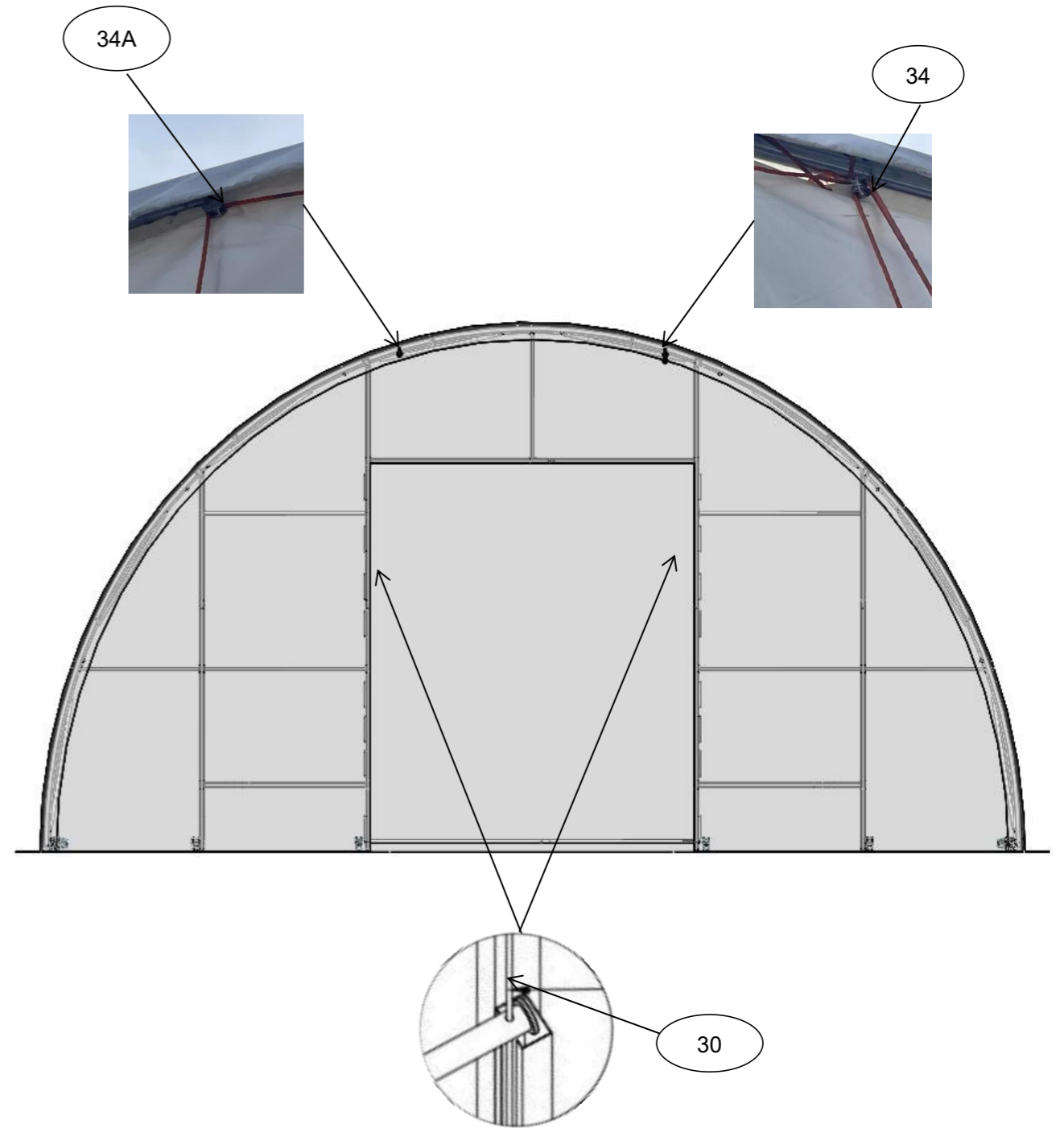
Step 11

33x30 33Ax6



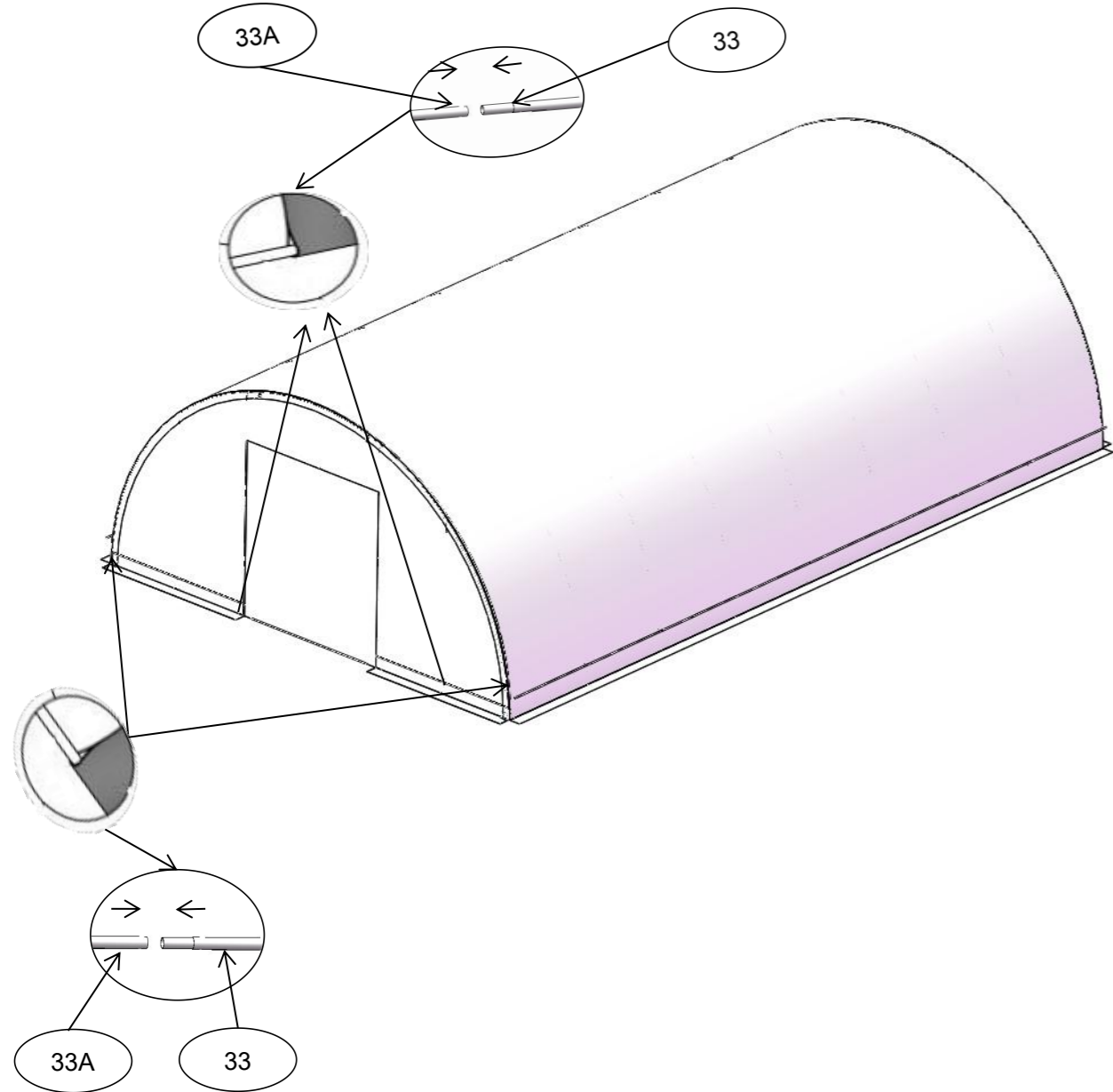
Step 12

34x2 34Ax2



Step 13

33x4 33Ax4



Step 14

37x34 38x34 39x100 43x34

