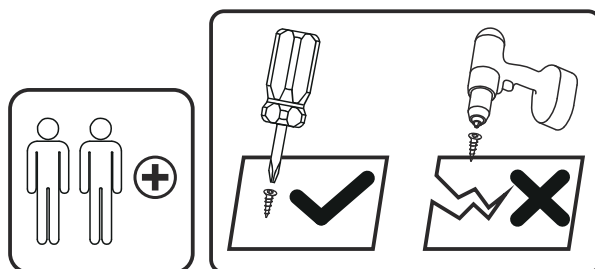
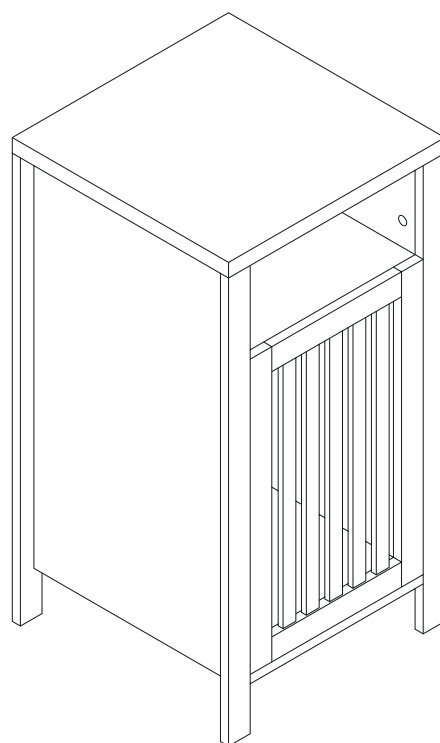
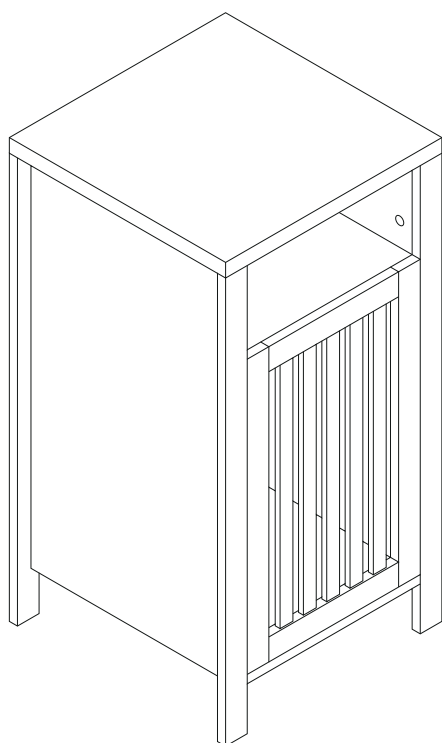
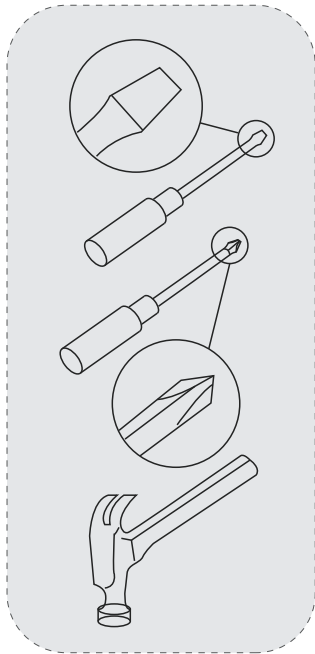

Assembly Instructions



Tools Recommended

This Instructions Contains Important Safety Information. Please Read Before Assembly And Keep For Future Reference.

IMPORTANT NOTICE



- This product contains small components, please ensure that they are kept away from small children.
- **THIS INSTRUCTIONS CONTAINS IMPORTANT SAFETY INFORMATION. PLEASE READ BEFORE ASSEMBLY AND KEEP FOR FUTURE REFERENCE.**
- Read each step carefully. It is very important that each step of instruction is performed in the correct order. If these steps are not followed in sequence, assembly difficulties will occur.
- Make sure all parts are included. Most parts are labeled or stamped on the raw edge.
- Work in spacious area, preferably on a carpet, near the place the unit will be used.
- Do not use power tools to assemble your furniture. Power tools may strip or damage the parts.
- Move your new furniture carefully, with two people lift and carry the unit to its new location.
- Never push, drag or pull your furniture (especially on carpet).

PLEASE DO NOT RETURN PRODUCT TO US IMMEDIATELY

- If any parts are missing or damaged, do not return the damaged item to your dealer, contact Customer Service, We will gladly ship you replacement parts FREE of charge!
- Need parts or Assistance? Email us at riching@nbrehome.com
- Thank you for choosing our products.
- For prompt, Reliable Customer Service, Please have your assemble instruction ready.



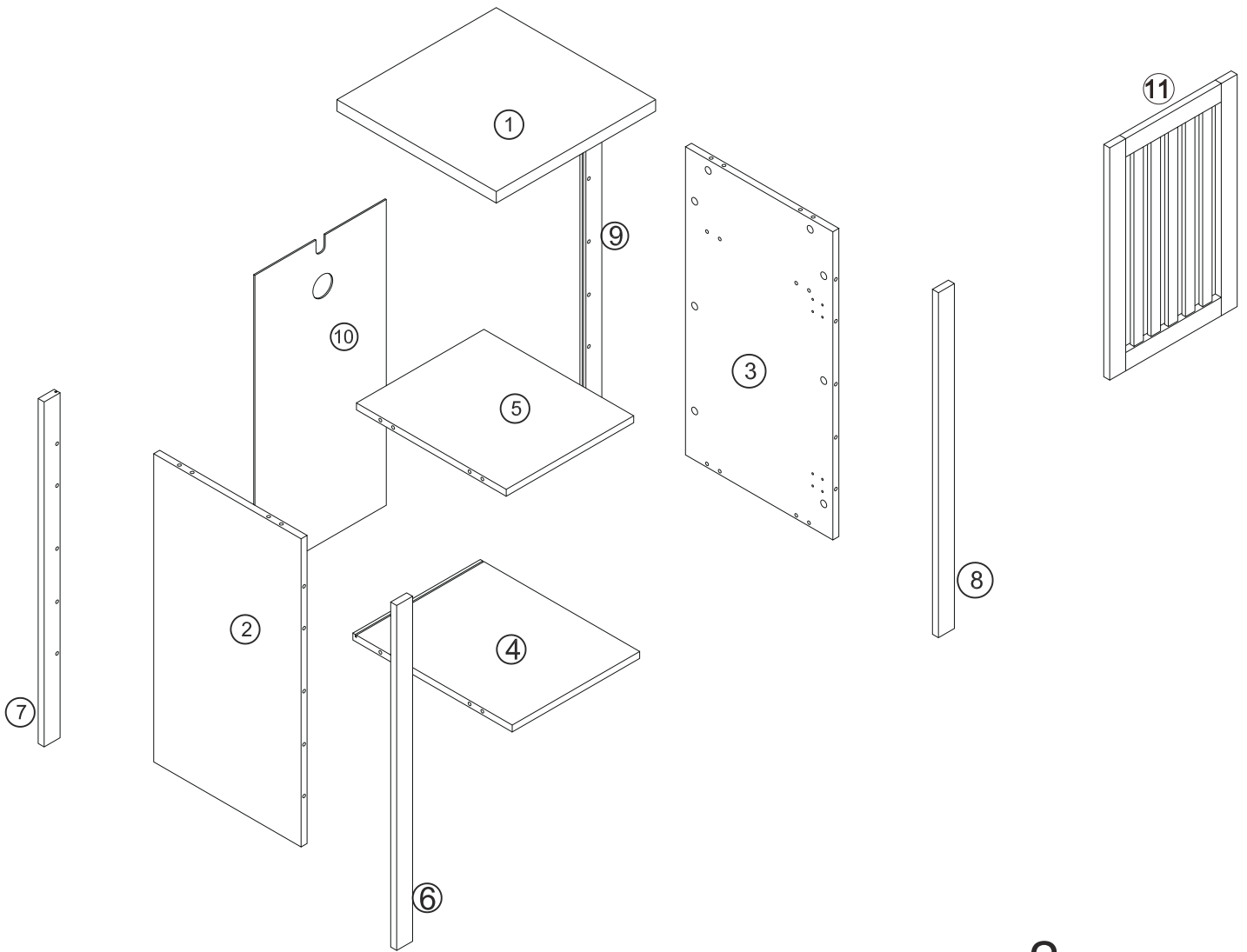
WARNING

(Death or serious injury may occur when children climb on audio and/or video equipment furniture.)

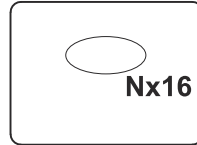
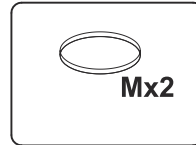
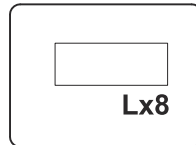
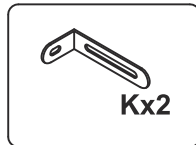
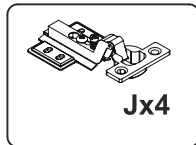
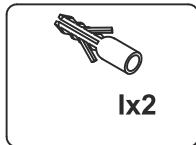
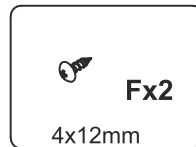
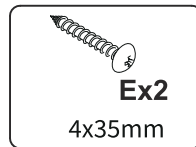
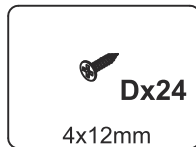
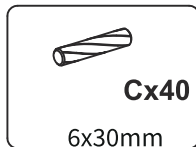
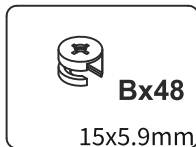
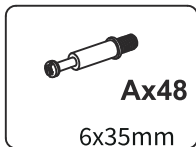
To reduce the risk of furniture tipover:



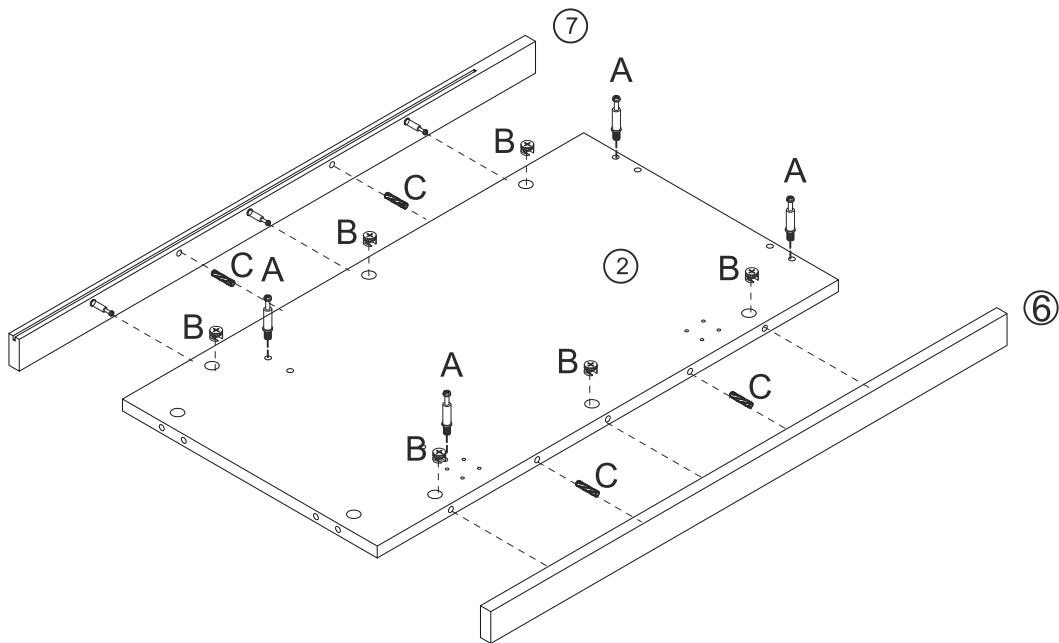
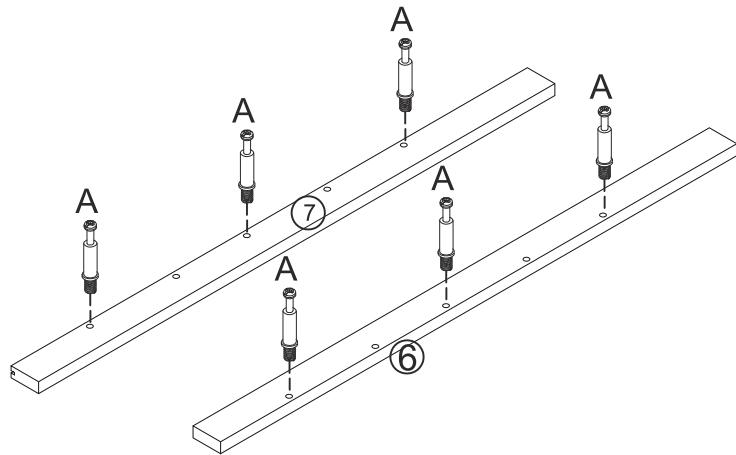
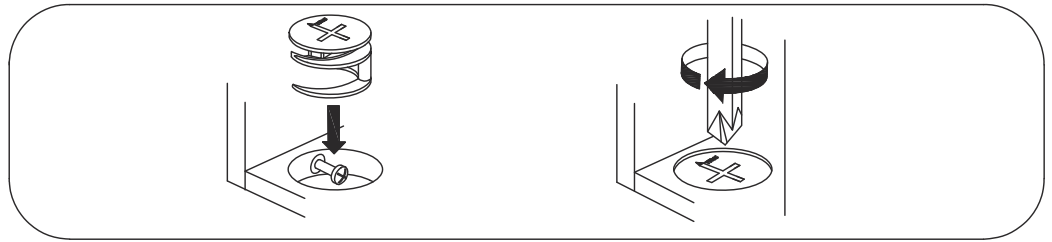
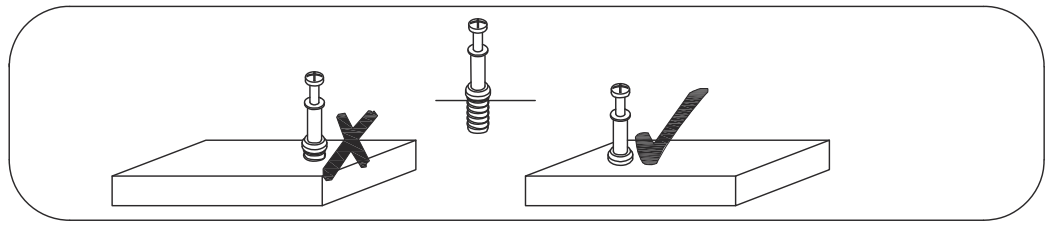
- NEVER attempt to move this furniture without first removing all equipment.
- NEVER placing remote control or toys on the furniture, may encourage a child to climb on the furniture and as a result the furniture may tip over onto the child.
- Please contact us using the details shown for further advice.



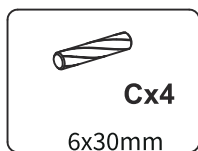
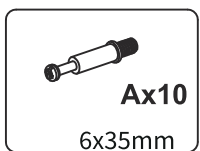
x2



Step 1

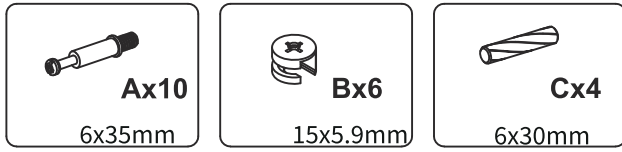
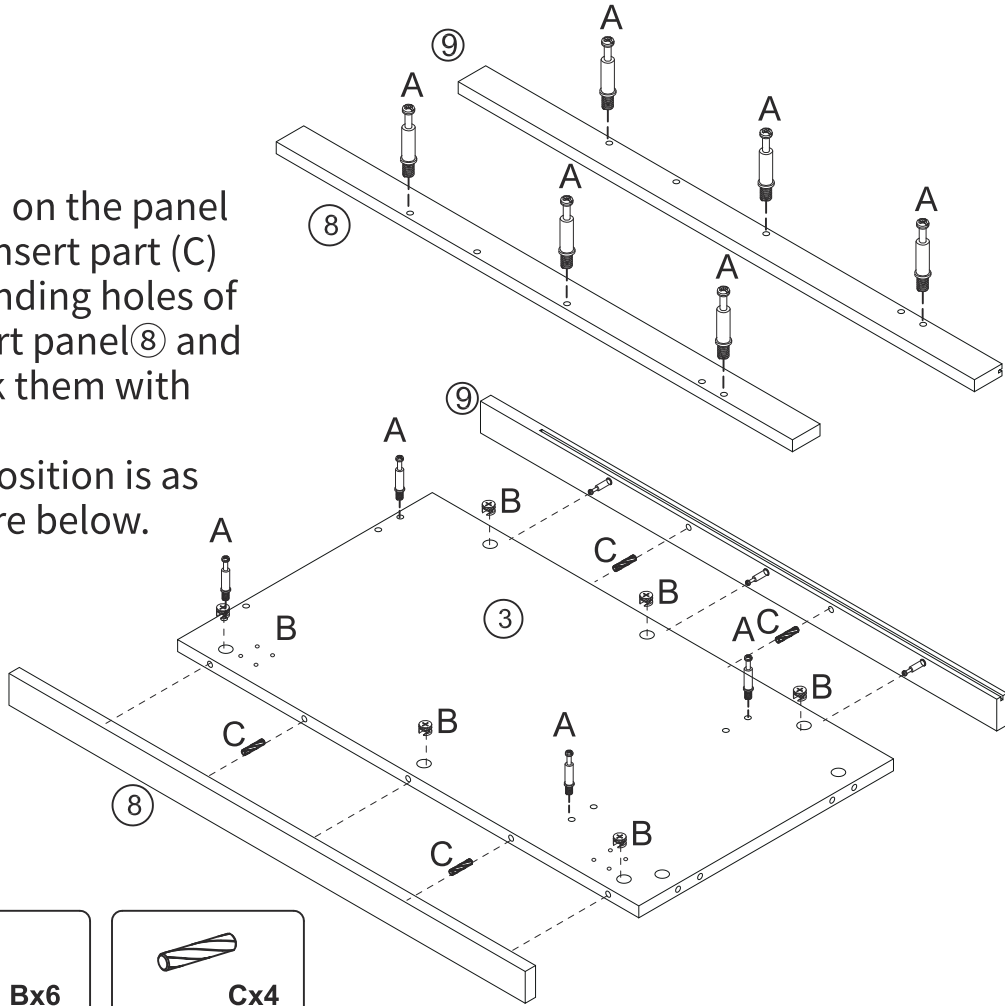


Install the part (A) on the panel⑥,panel⑦.Then insert part (C) into the corresponding holes of panel②, and insert panel⑥ and panel⑦.Then lock them with part(B). The installation position is as shown in the figure below.



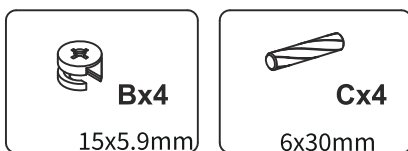
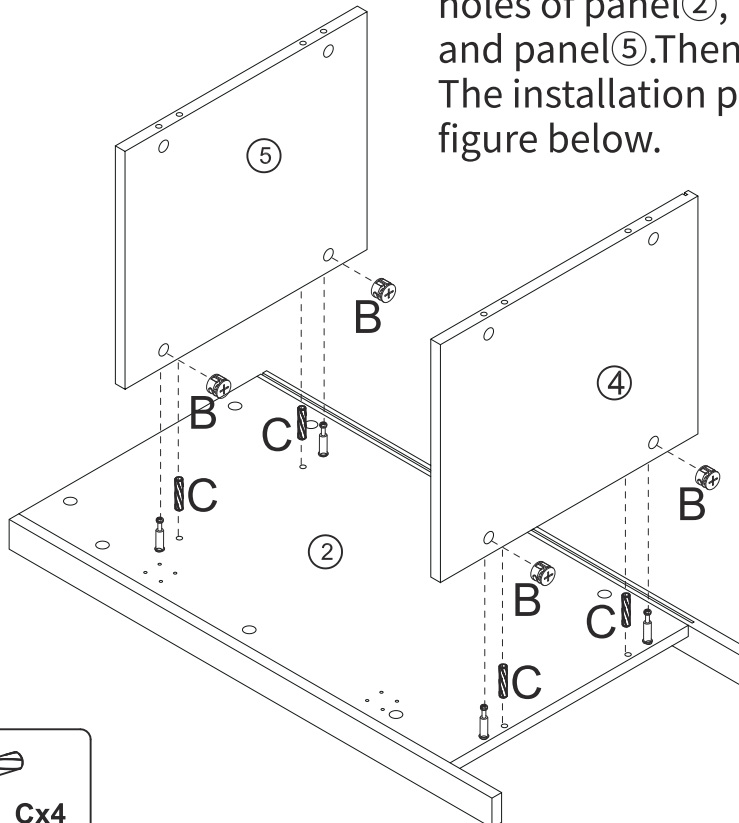
Step 2

Install the part (A) on the panel ⑧, panel ⑨. Then insert part (C) into the corresponding holes of panel ③, and insert panel ⑧ and panel ⑨. Then lock them with part (B). The installation position is as shown in the figure below.

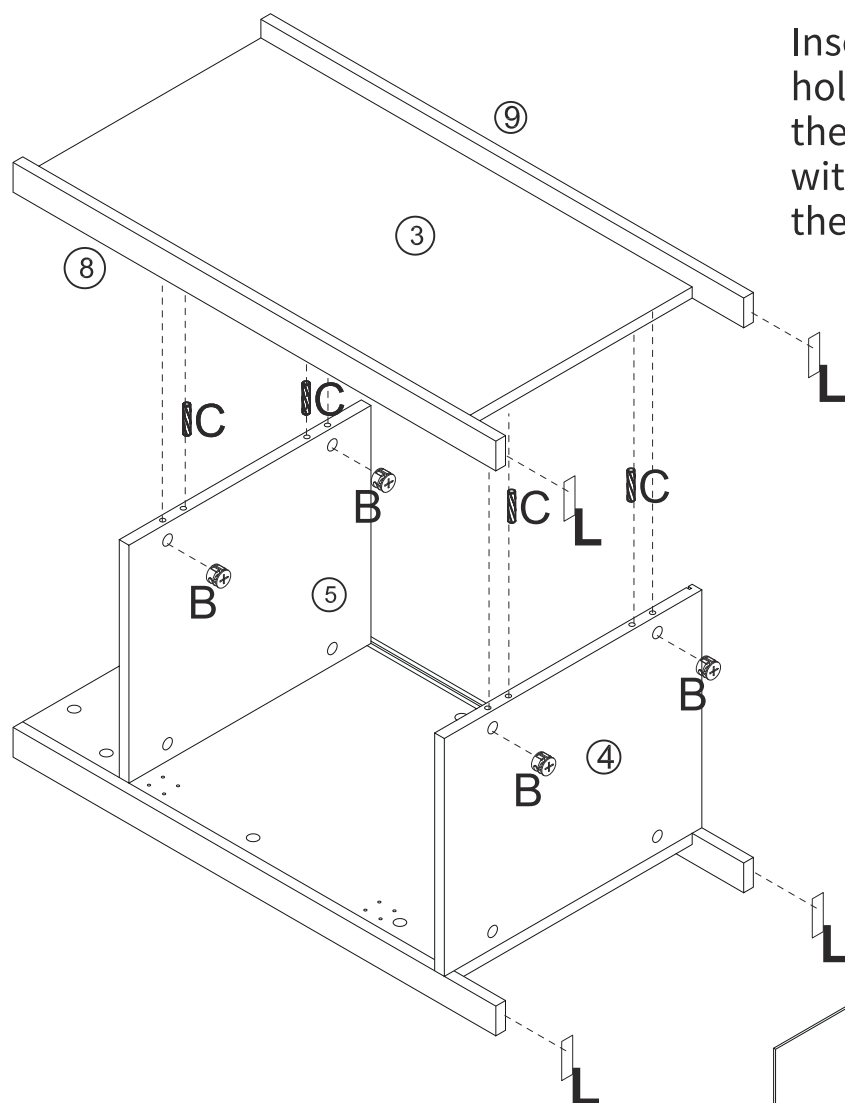


Step 3

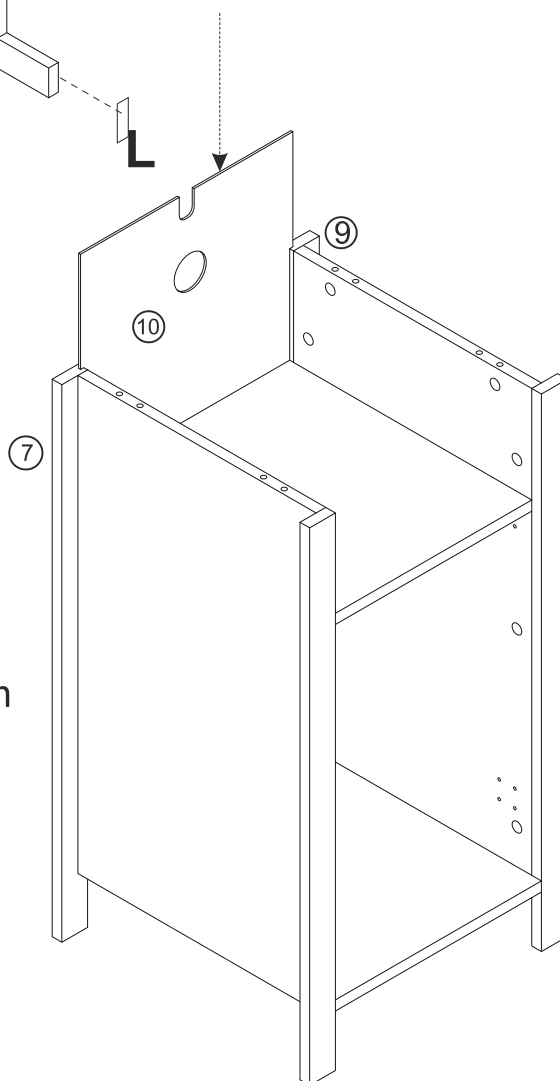
Insert part (C) into the corresponding holes of panel ②, and then insert panel ④ and panel ⑤. Then lock them with part (B). The installation position is as shown in the figure below.



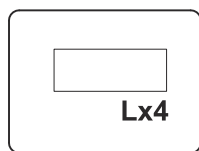
Step 4



Insert part (C) into the corresponding holes of panel ④ and panel ⑤, and then insert panel ③. Then lock them with part (B). Finally, paste part (L) to the bottom of the legs.

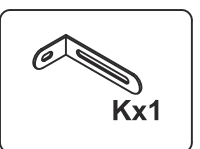
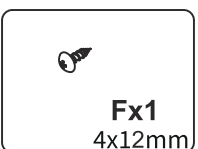
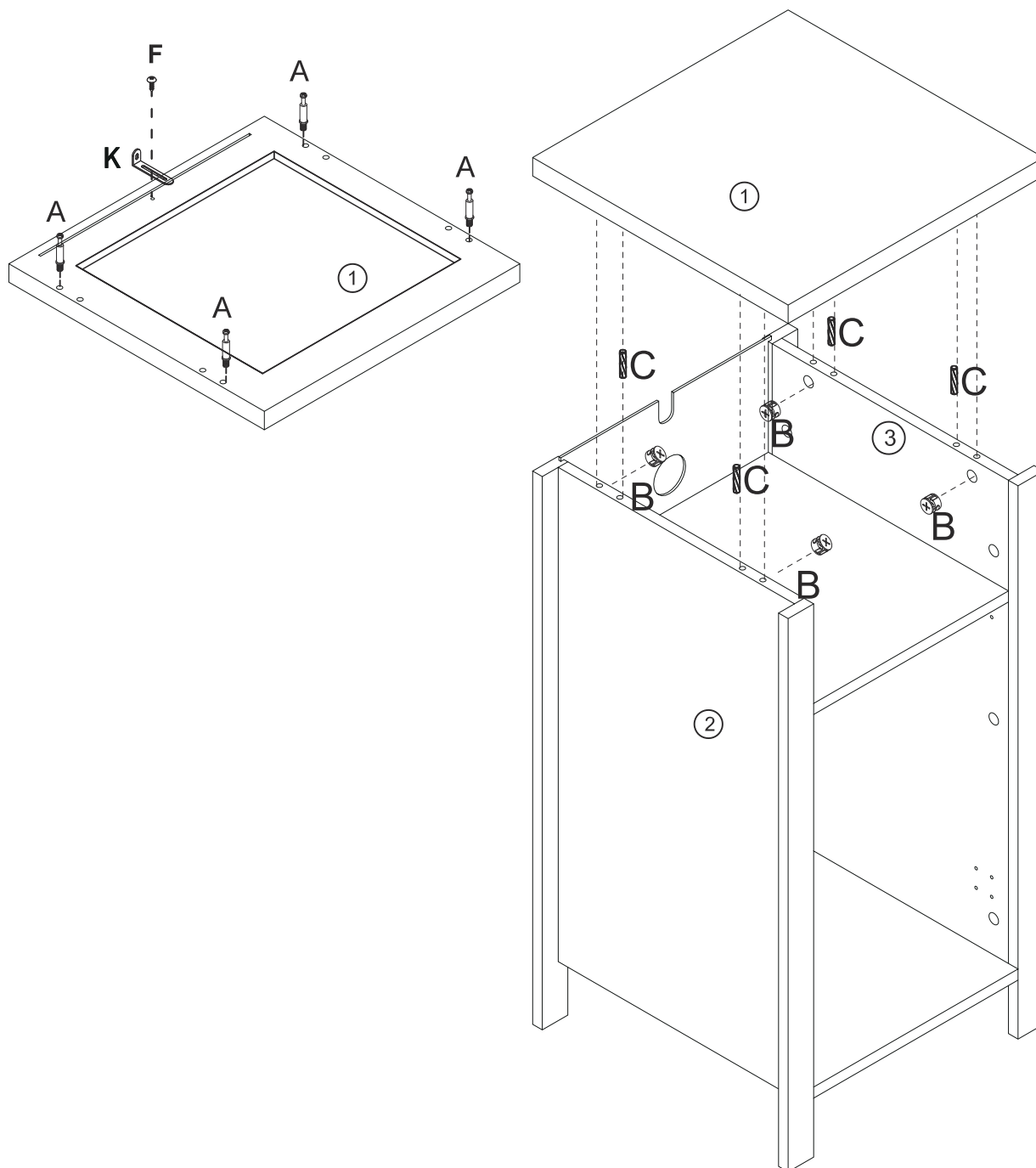


Stand the installed cabinet upright, insert panel ⑩ into the corresponding groove of panel ⑦ and panel ⑨. The installation position is as shown in the figure below.



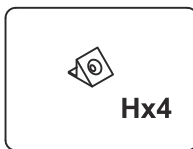
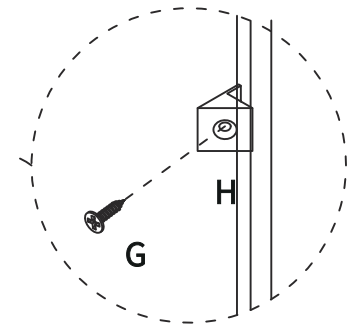
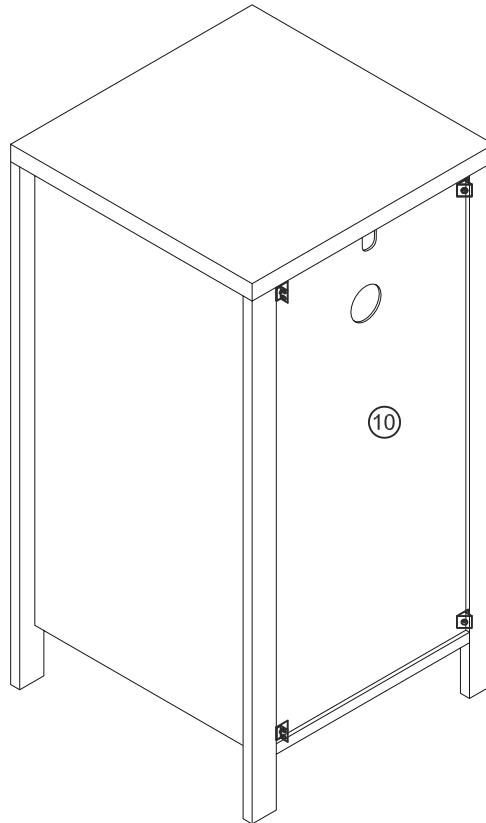
Step 5

Install the part (A) on the panel ①. Use part (F) to fix part (K) on the corresponding hole position of panel ①. Insert part (C) into the corresponding holes of panel ② and panel ③, and then insert panel ①. Then lock them with part (B). The installation position is as shown in the figure below.



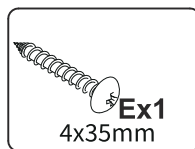
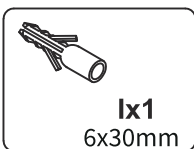
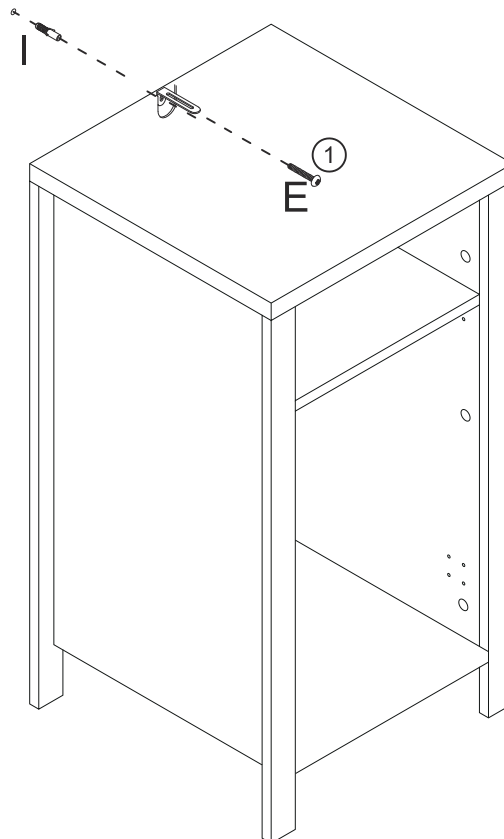
Step 6

Use the part (G) and part (H) to fasten the back board buckle. The installation position is as shown in the figure below.



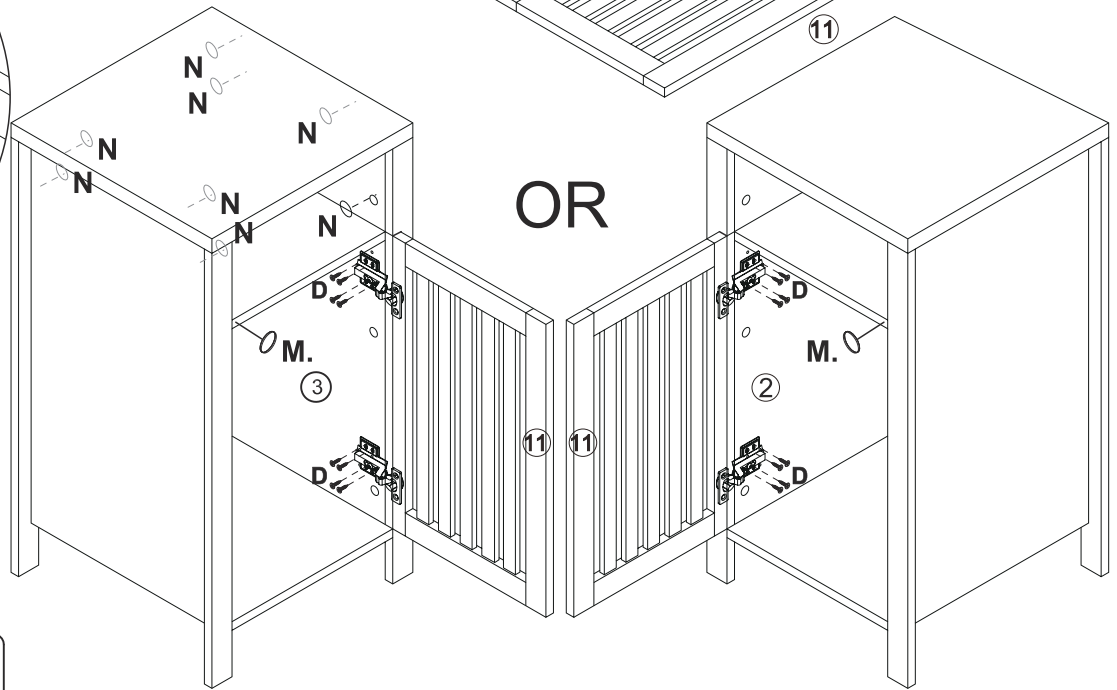
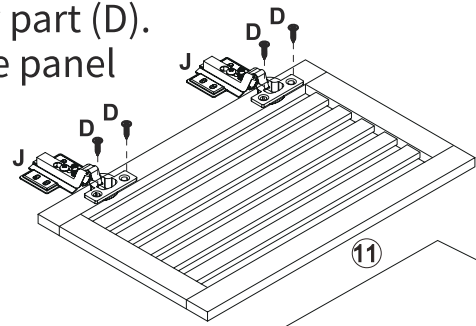
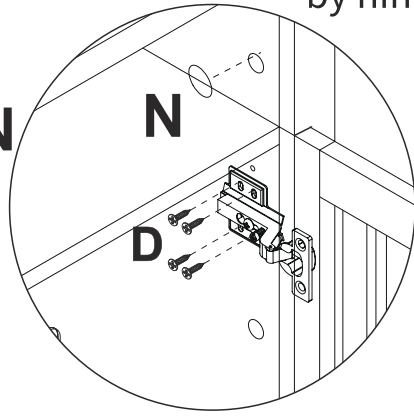
Step 7

Installation of anti-tipping decorations. Installing the cabinet on the wall using part (E) and part (I). The installation position is as shown in the figure below.

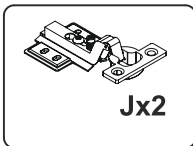
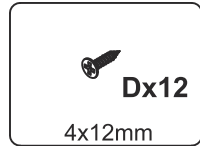
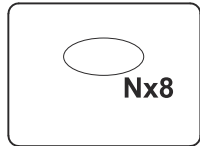
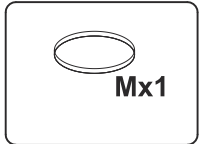


Step 8

Install the part (J) to the door by part (D).
Then install the doors to the side panel by hinge with part (D).

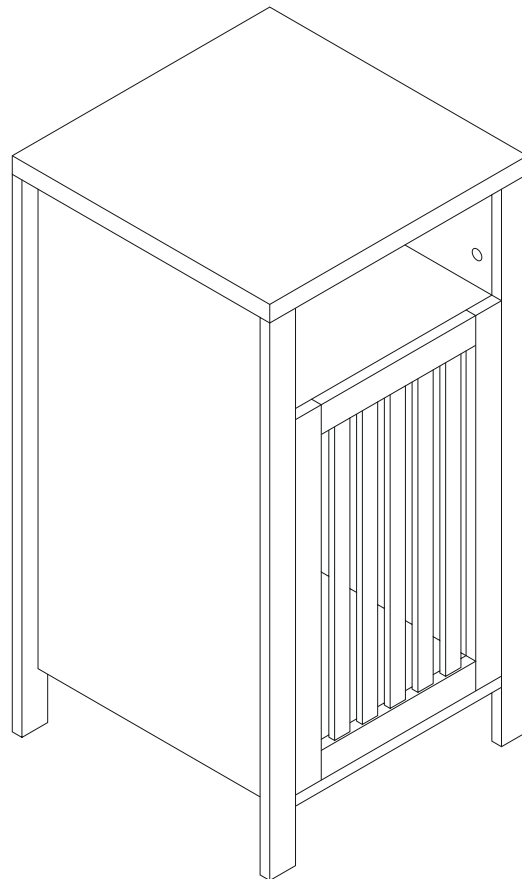


OR



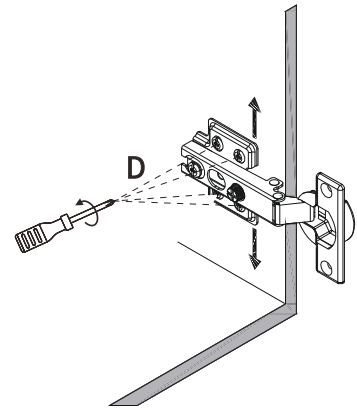
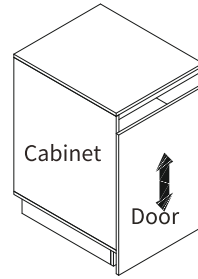
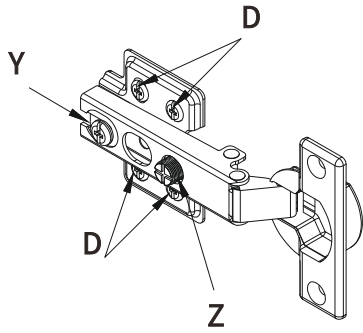
Paste part (M) to the panel ⑤ and paste part (N) on the holes.
The installation position is as shown in the figure below.

Step 9

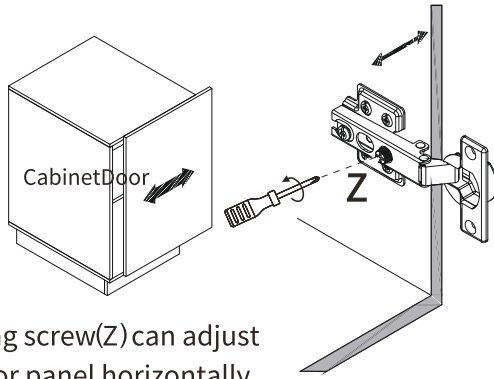


Step 10

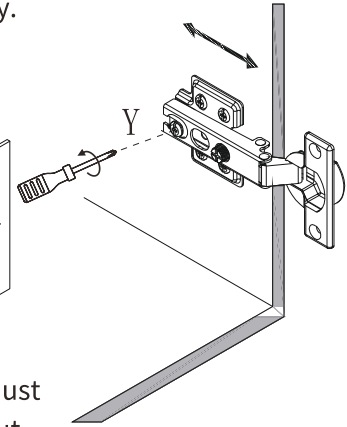
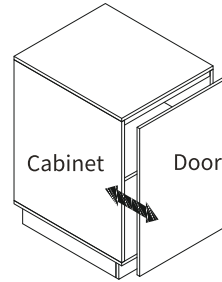
Hinges Adjustment Tips



Loosening screw (D) can adjust the door panel vertically.



Loosening screw (Z) can adjust the door panel horizontally.



Loosening screw (Y) can adjust the door panel in-and-out.

