

# ASSEMBLY INSTRUCTIONS

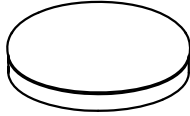
## WINDOW BACK SWIVEL COUNTER HEIGHT CHAIR WINDOW BACK SWIVEL BAR HEIGHT CHAIR

**A** Backrest



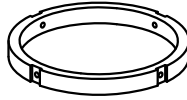
1pc

**B** Cushion Seat



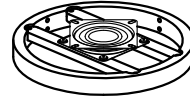
1pc

**C** Footrest



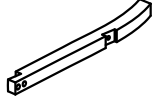
1pc

**D** Apron With Swivel Plate



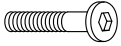
1pc

**E** Chair Leg



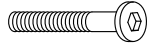
4pcs

**F** Bolt  
1/4" x 1-3/8"



16pcs

**G** Bolt  
1/4" x 1-3/4"



6pcs

**H** Lock Washer  
1/4" x 1/2"



18pcs

**I** Flat Washer  
1/4" x 1/2"



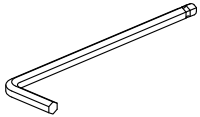
12pcs

**J** Flat Washer  
1/4" x 5/8"

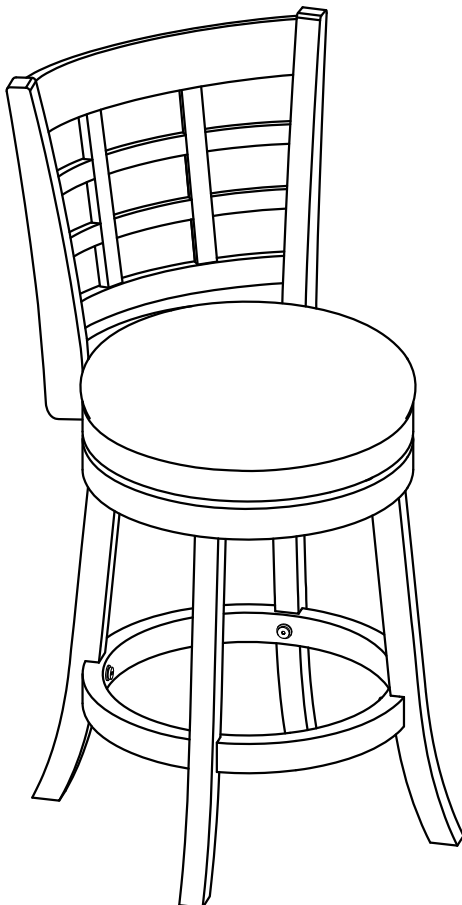


10pcs

**K** Allen Wrench  
5/32"

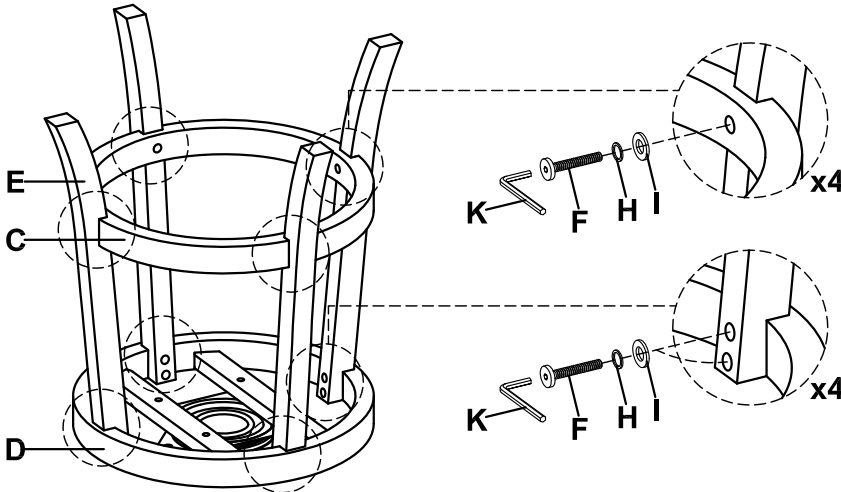


1pc



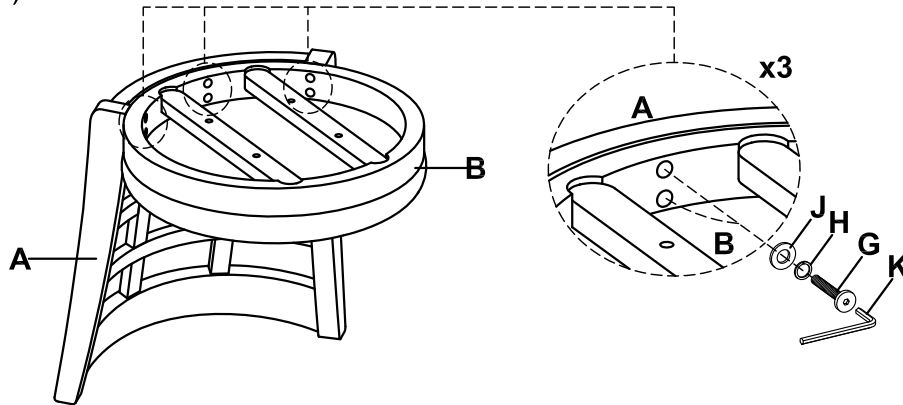
This page lists all the contents included in the box. Please take the time to identify the hardware as well as the individual components to this product. As you unpack and prepare for assembly, place the contents on a carpeted or padded area to protect them from damage.

- 1** Attach the Chair Leg (E) to the Apron With Swivel Plate (D), then attach the Footrest (C) to the Chair Leg (E), using Bolt (F), Lock Washer (H) and Flat Washer (I) with Allen Wrench (K) for both.

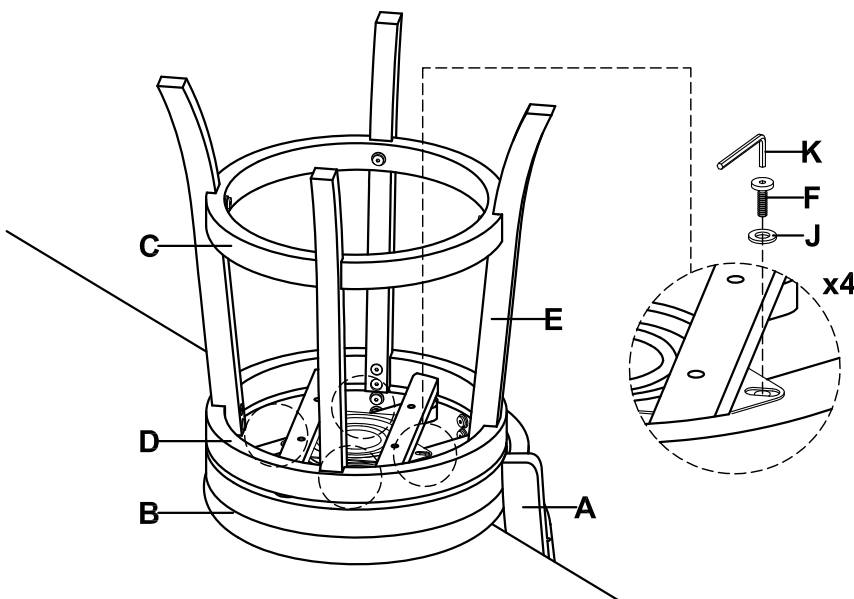


Take the Allen Wrench, and turn the bolts until the legs are secured. **DO NOT TIGHTEN COMPLETELY.** Stop when you feel you are adding force to tighten the bolt.

- 2** Invert the Cushion Seat (B) and place it on a stable, elevated surface (i.e. Table). Attach the Backrest (A) to the Cushion Seat (B) using Bolt (G), Lock Washer (H) and Flat Washer (J) with Allen Wrench (K).



- 3** Keep the Backrest (A) and Cushion Seat (B) inverted on the surface. Attach the swivel plate on the Apron (D) to the Cushion Seat (B) using Bolt (F) and Flat Washer (J) with Allen Wrench (K).



Stand the chair on an even surface and check for balance. If it wobbles, apply downward pressure on the uneven leg and tighten the bolts. Once the chair is balanced, apply pressure evenly to the center and tighten all bolts, ensuring not to over-tighten beyond the hole depth.

Helpful Tip: While tightening the bolts from underneath, have someone sit in the chair.

## CLEANING & CARE

Treat surfaces with care. Surfaces are resistant to scratches but are not scratch resistant. Clean surfaces with a dry or damp soft cloth. Do not use abrasive cleaners. Hardware may loosen over time. Periodically check that all connections are tight.