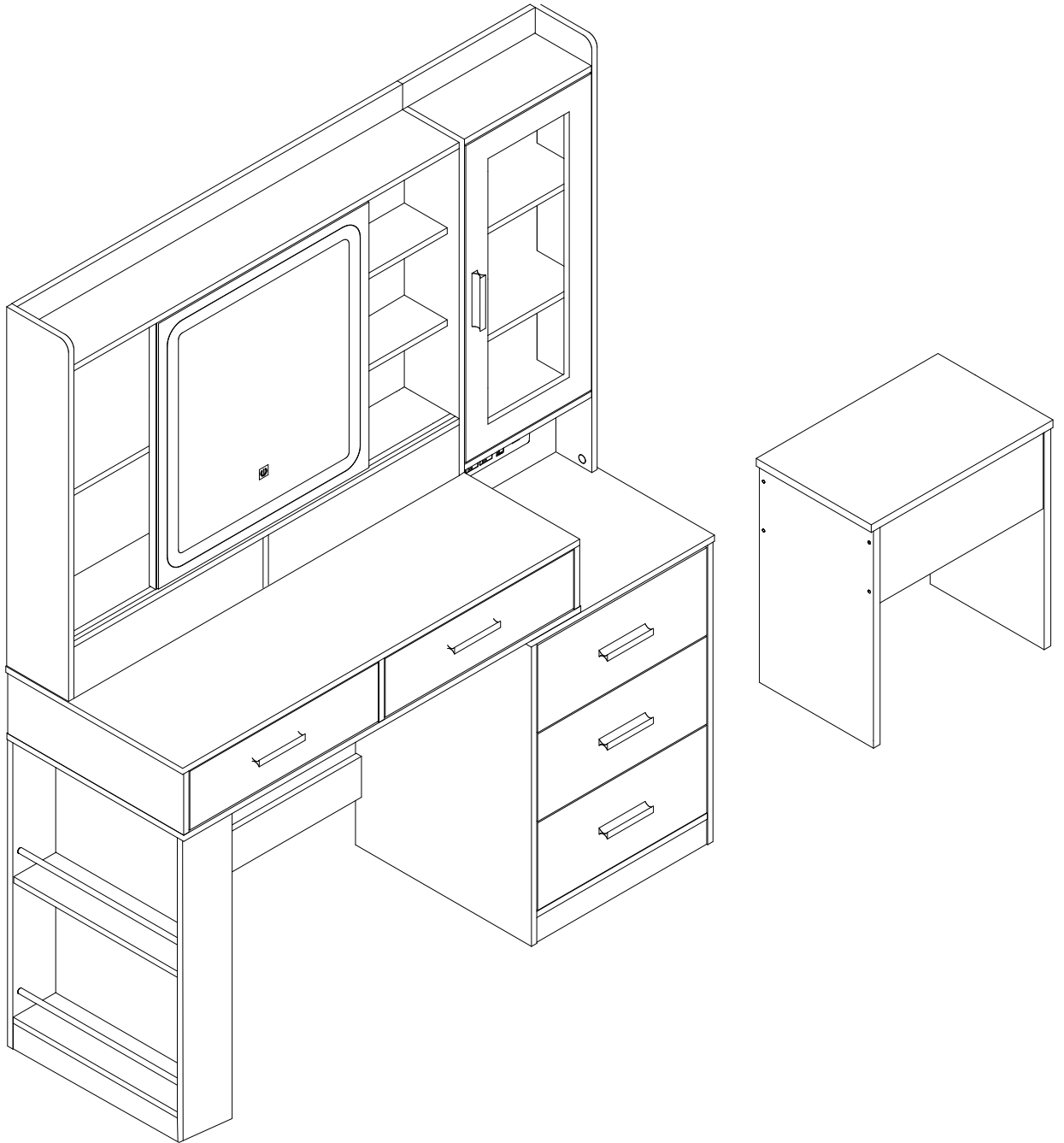
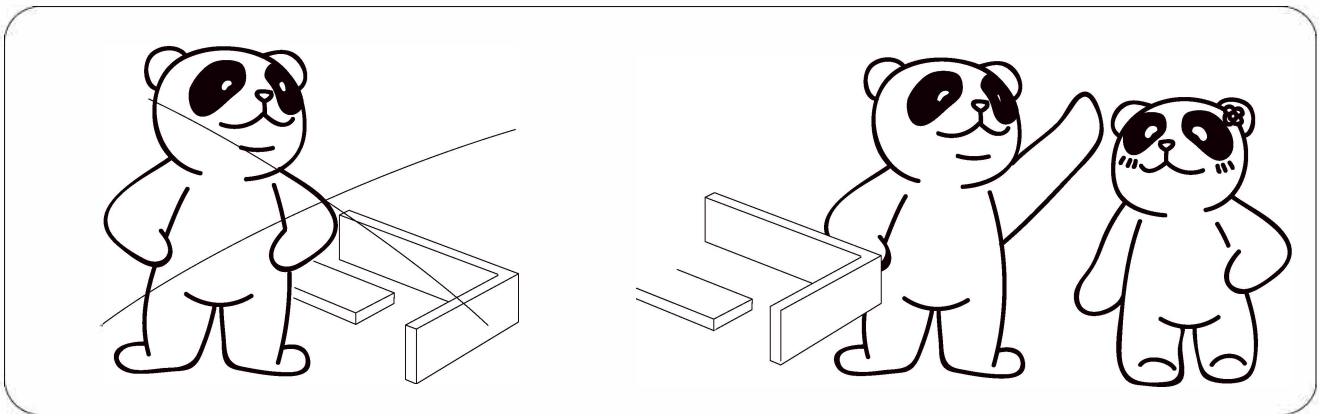
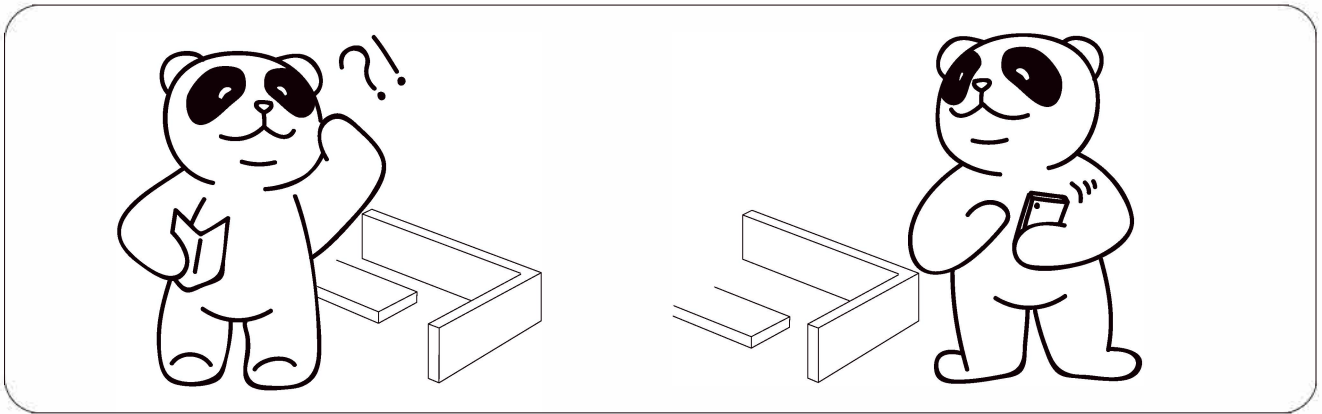
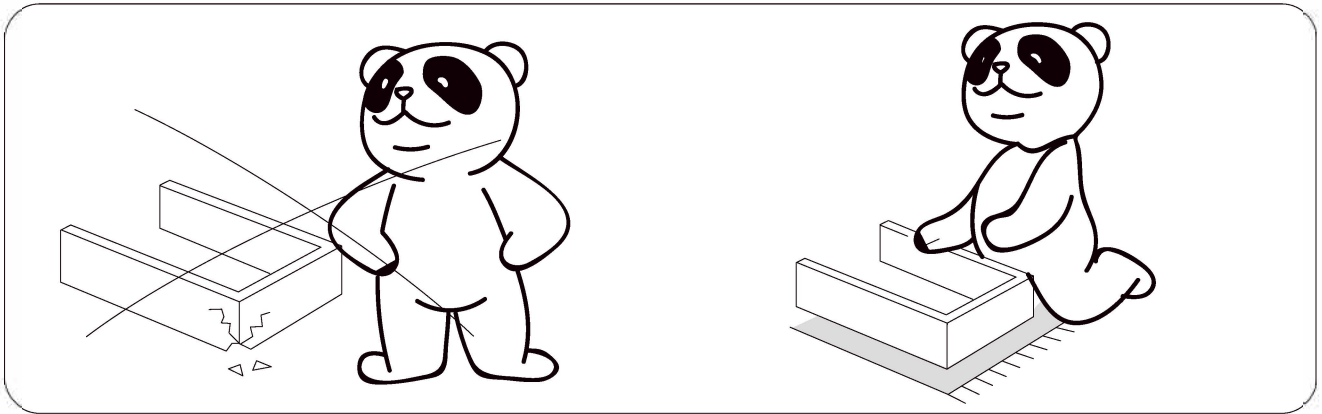
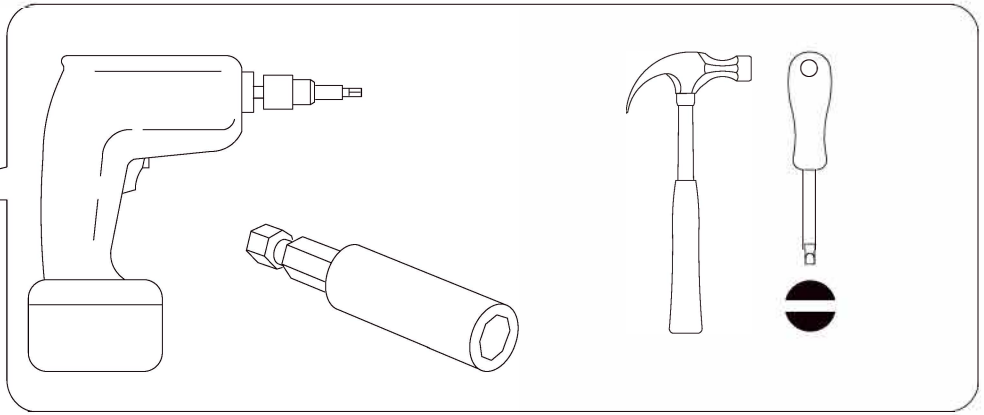


Installation & Assembly



Version: 1.0



Installation parts



A
x117

Ø6x35mm



B
x117

Ø15x10mm



C
x34

Ø6x30mm



D
x95

Ø3.5x12mm



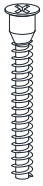
E
x2

Ø3.5x14mm



F
x12

Ø4x14mm

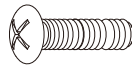


G
x38

Ø5x40mm

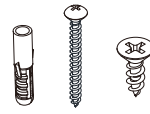


H
x1

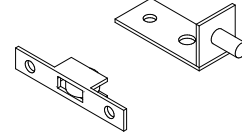


I
x12

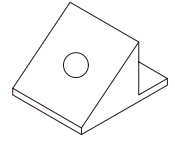
Ø4x14mm



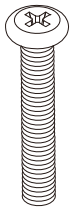
J
x2



K
x2

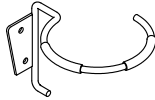


L
x26

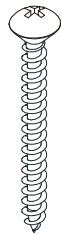


M
x2

Ø6x20mm

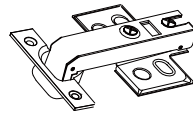


N
x1



O
x14

Ø4x30mm



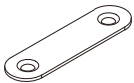
P
x2



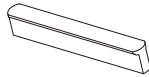
Q
x10



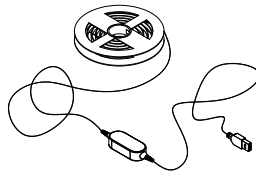
R
x2



S
x3



T
x6



U
x1

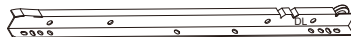


V
x1



CL
x5

L350mm



DL
x5

L350mm



CR
x5

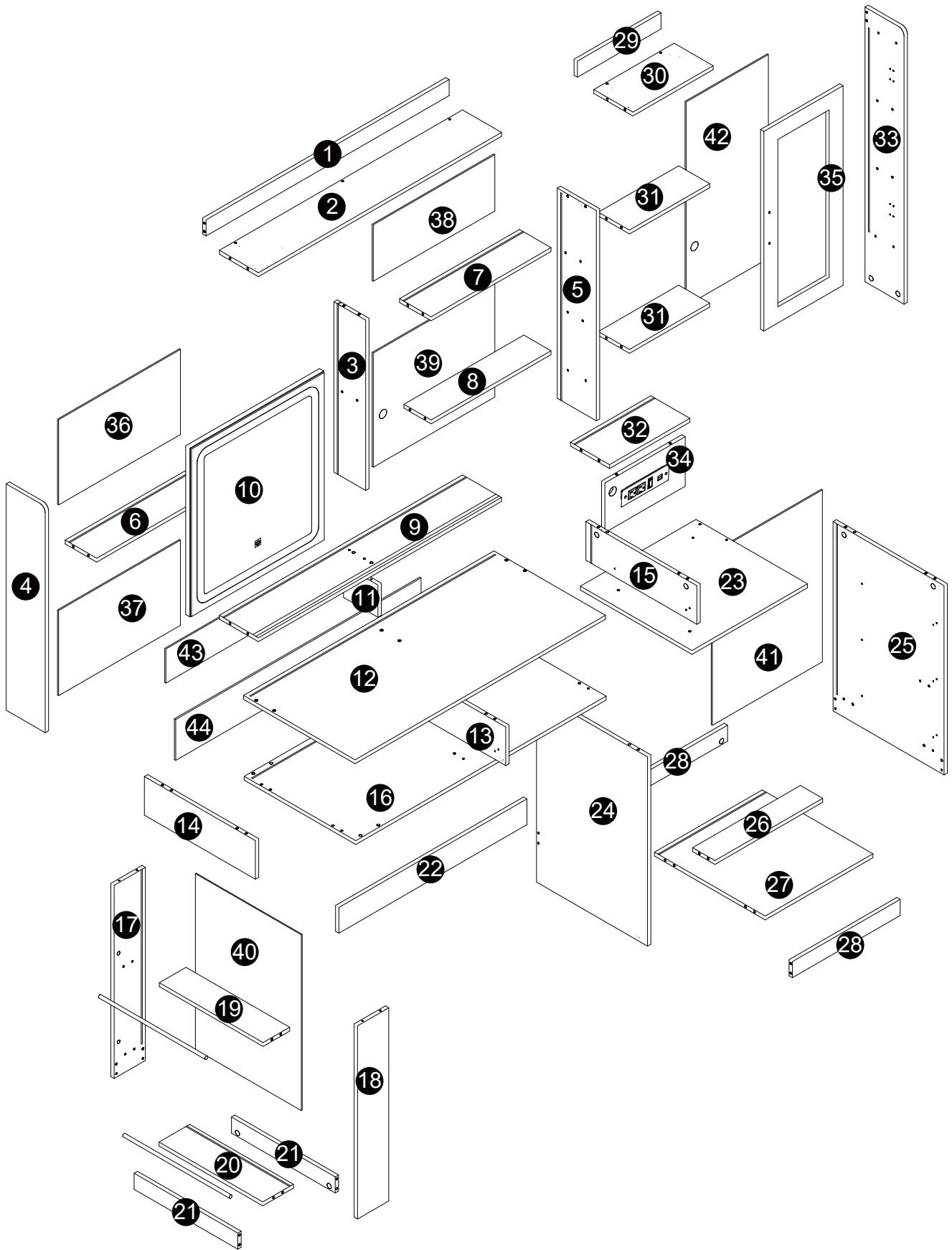
L350mm



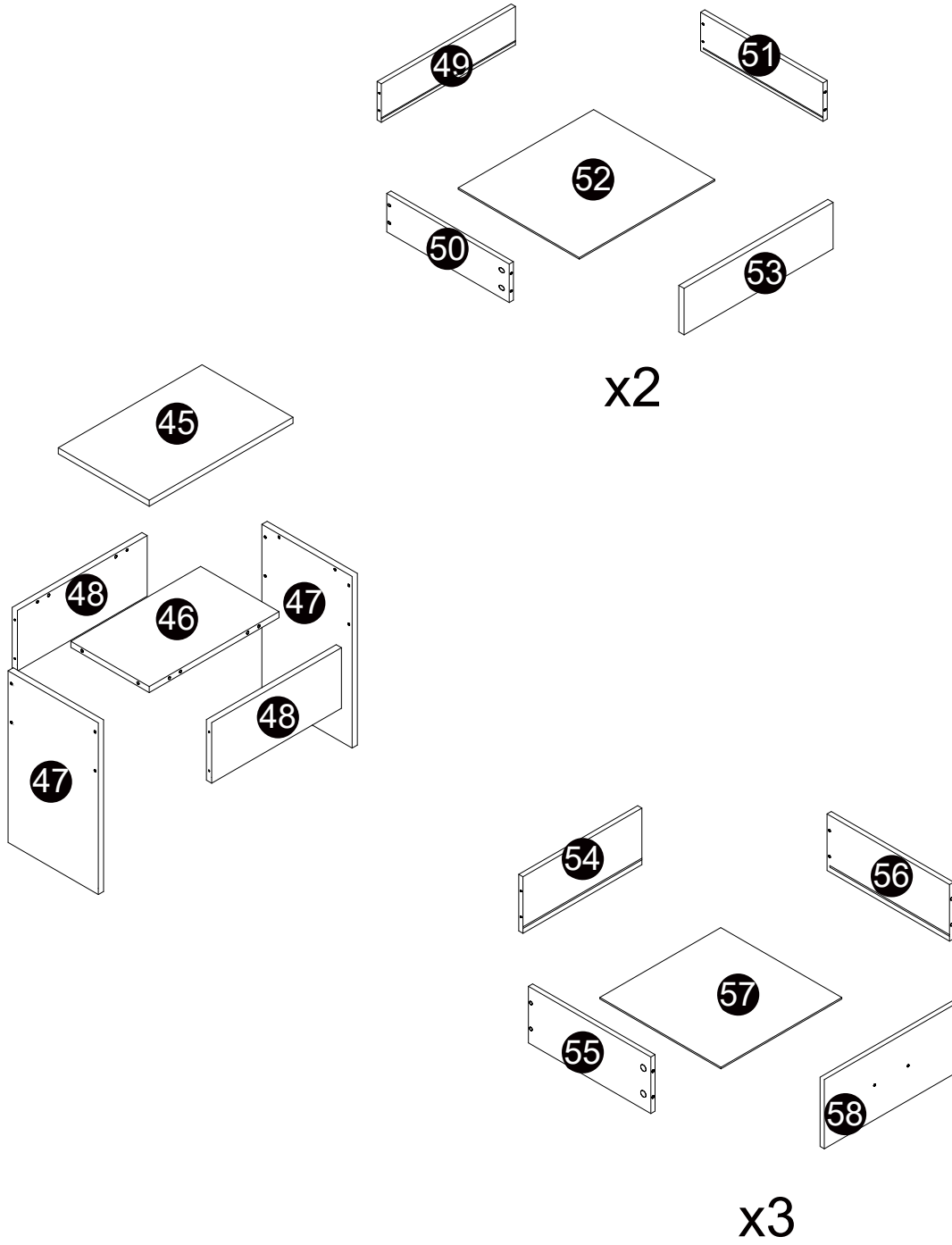
DR
x5

L350mm

Please use each screw in strict accordance with the instructions.

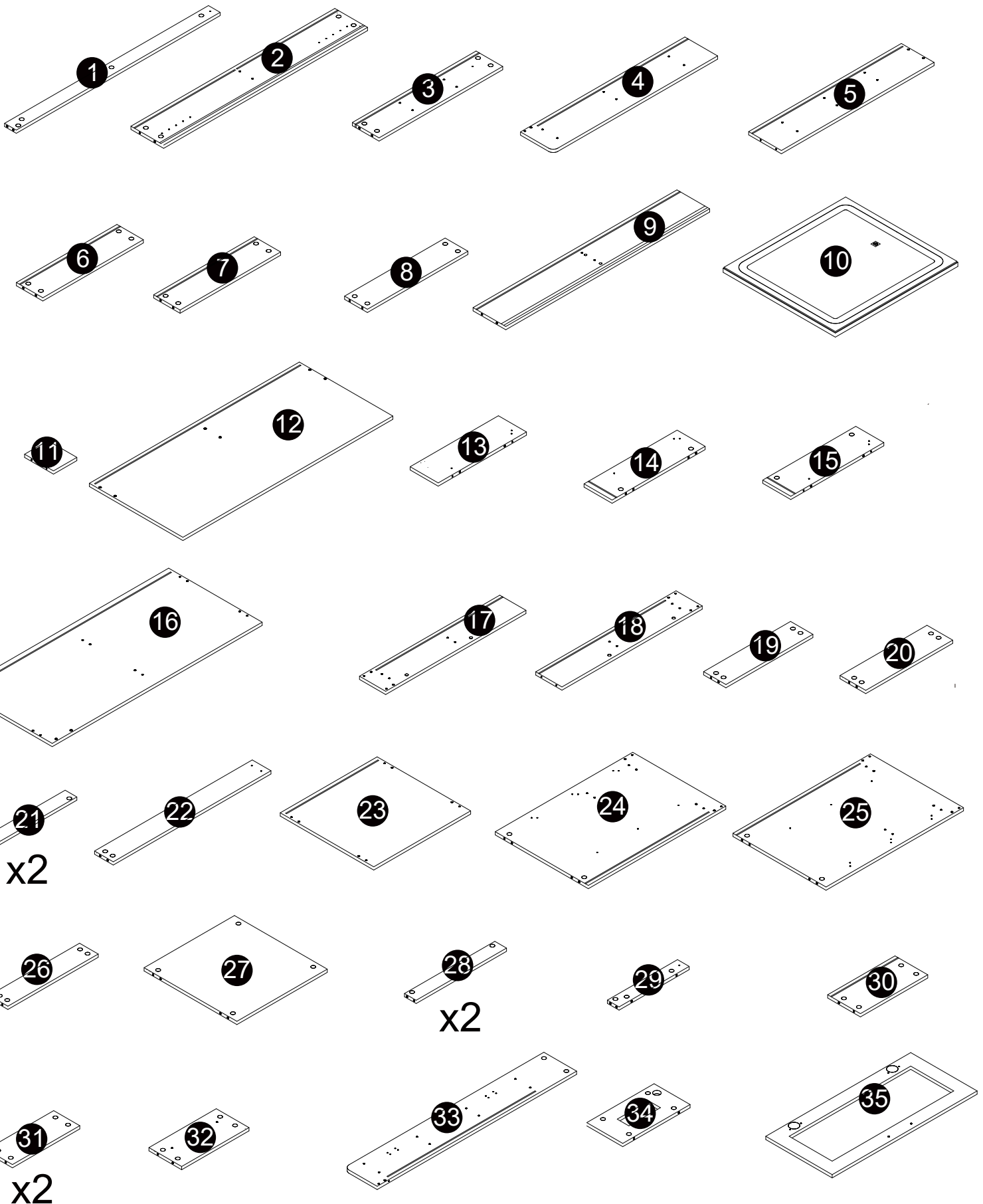


Please use each screw in strict accordance with the instructions.



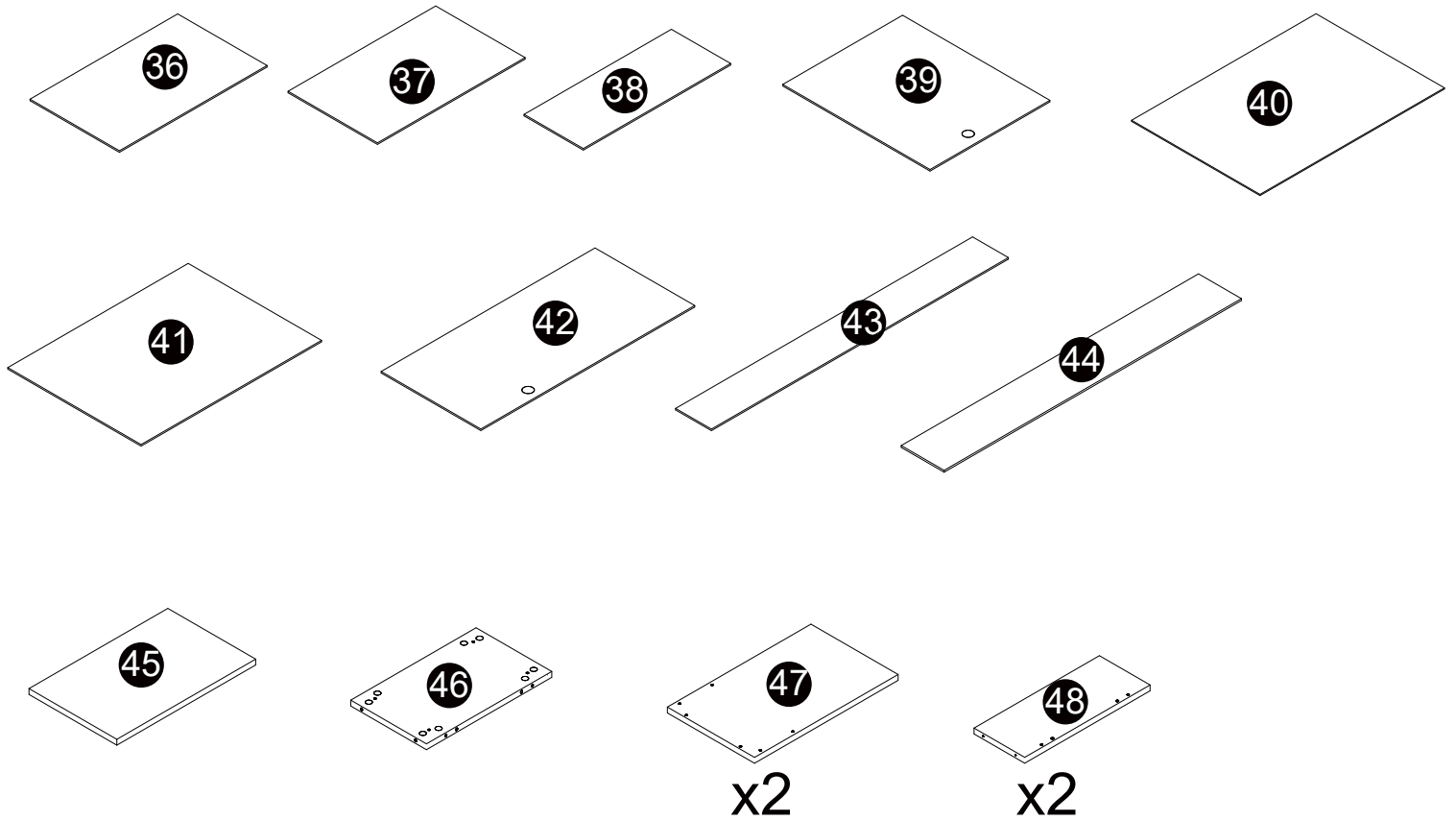
Please place all the boards in the order shown in the picture below, the installation will be easy and smooth.

Mounting framze

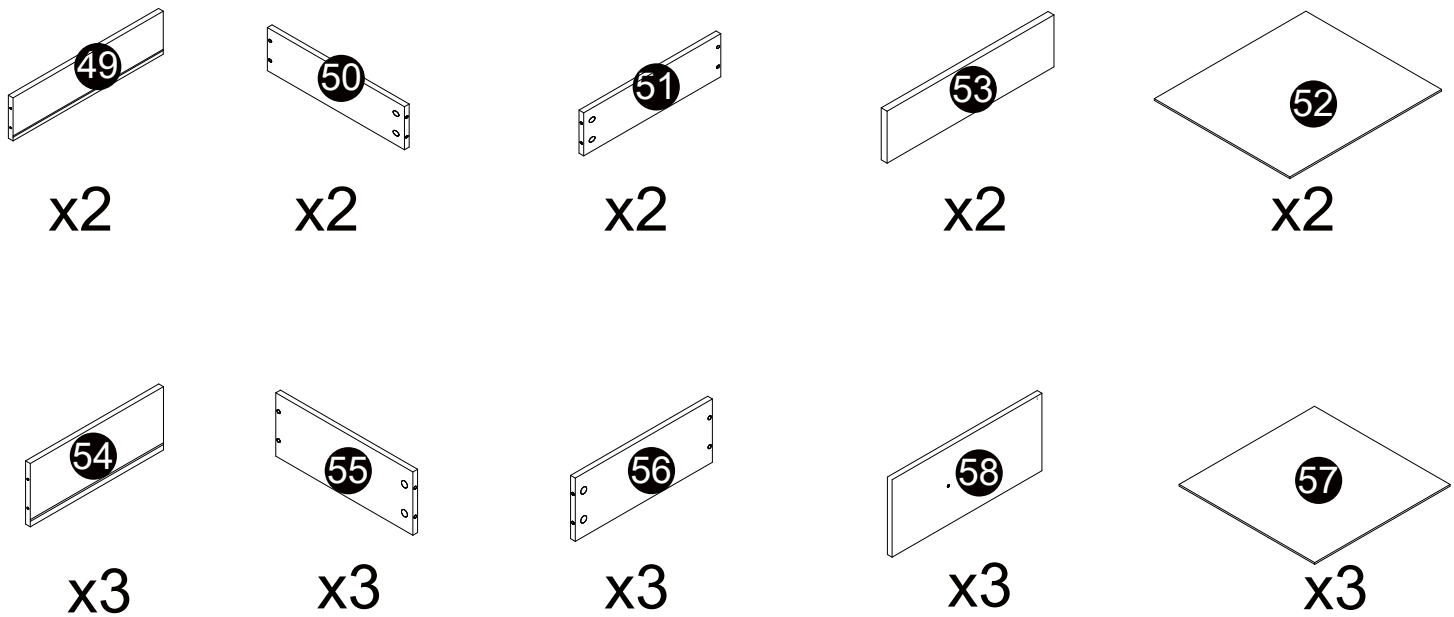


Please place all the boards in the order shown in the picture below, the installation will be easy and smooth.

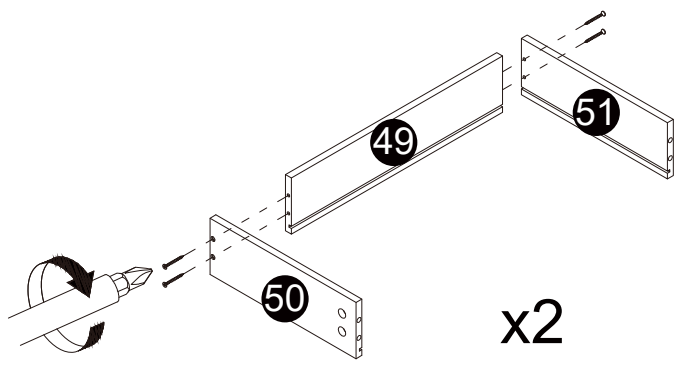
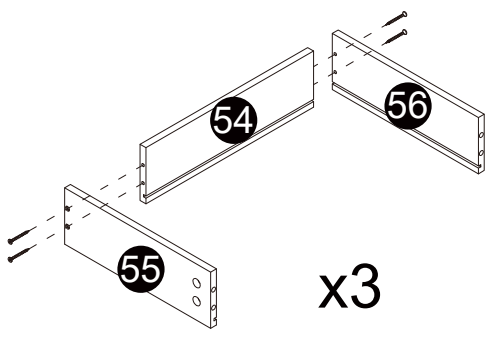
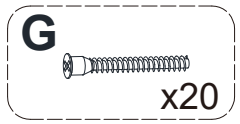
Mounting framze



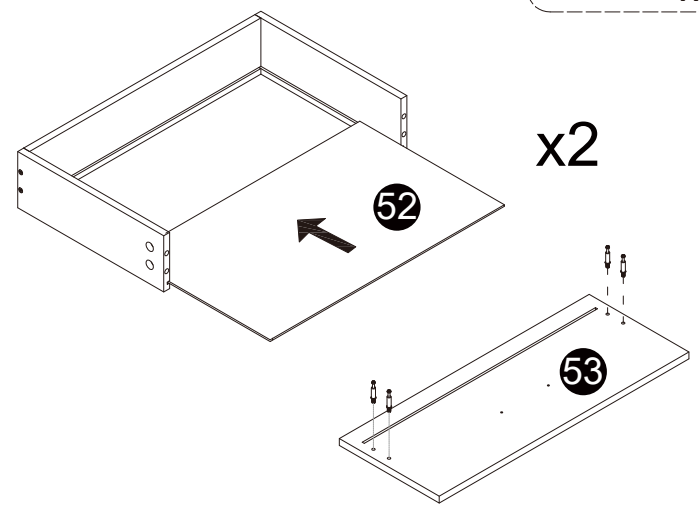
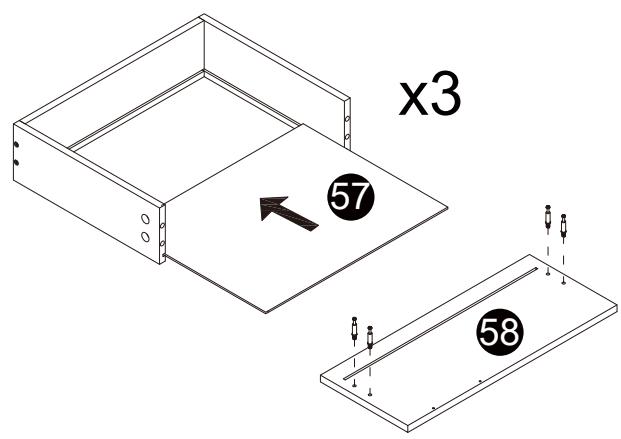
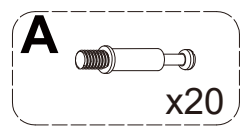
Drawer board



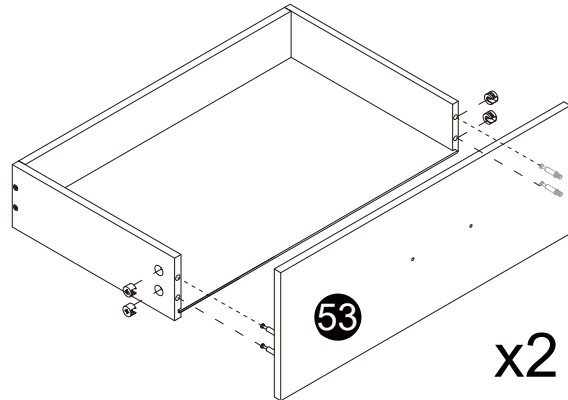
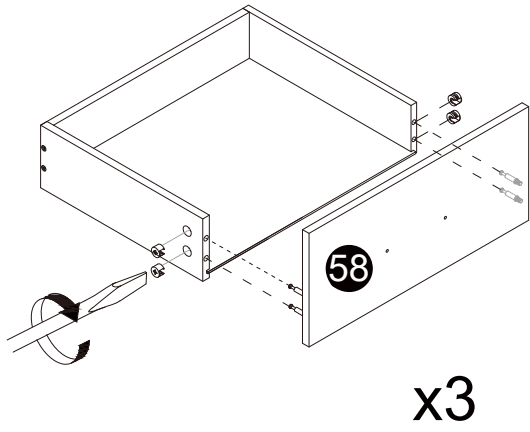
STEP 1



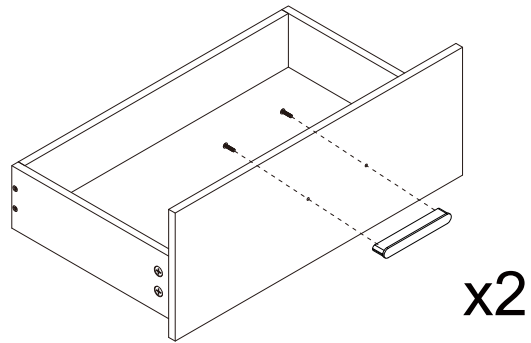
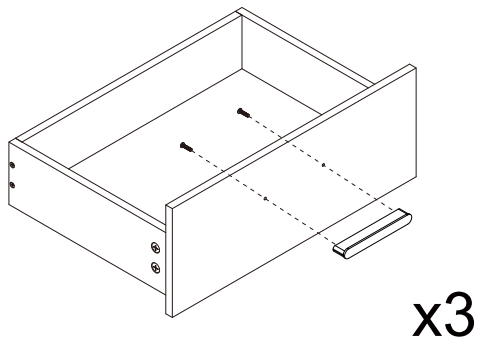
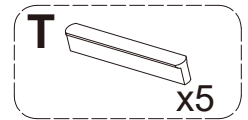
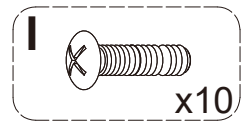
STEP 2



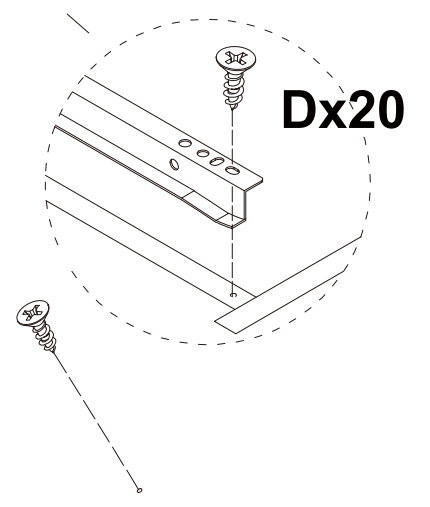
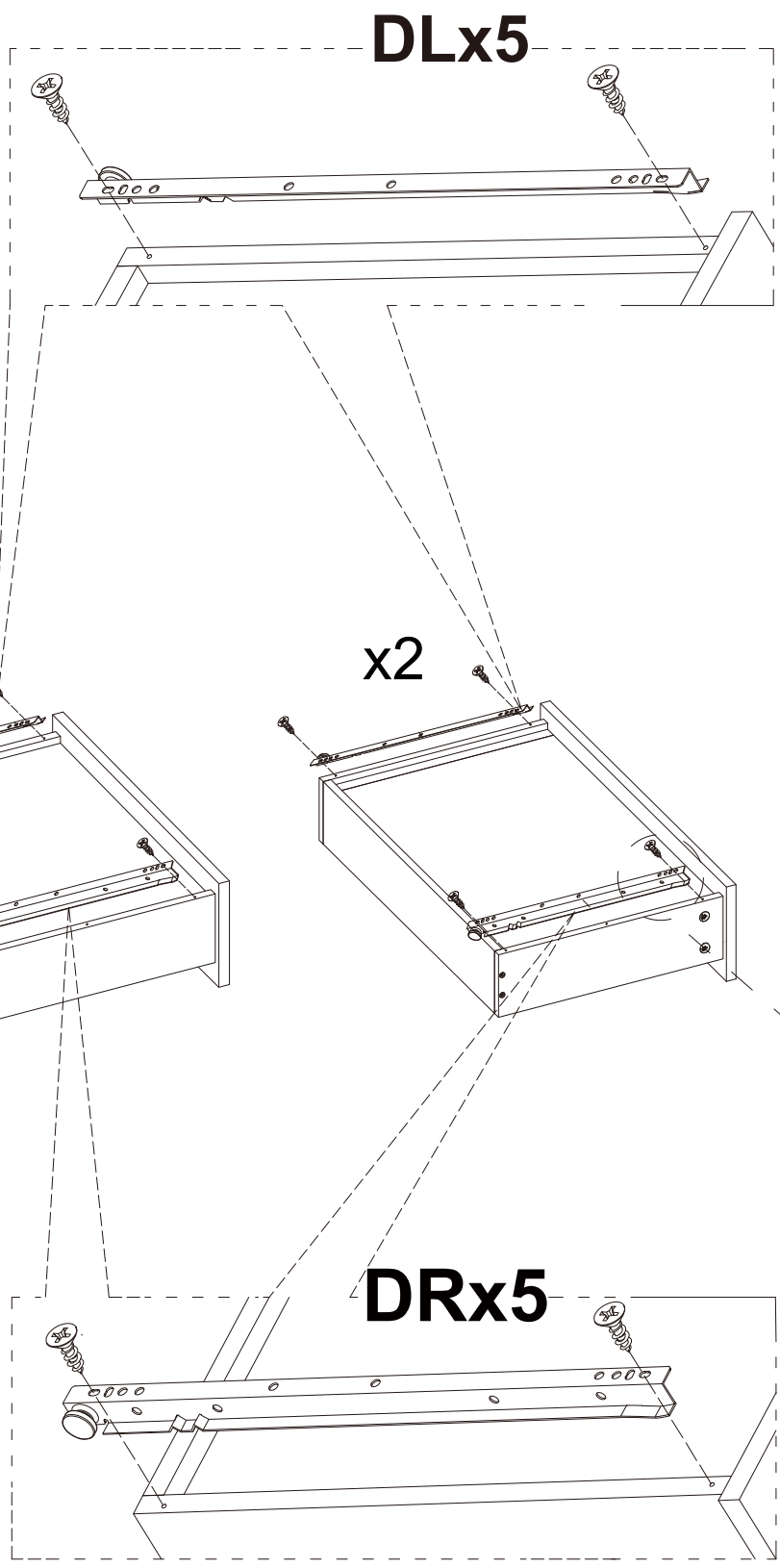
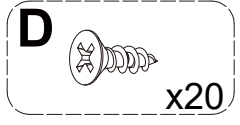
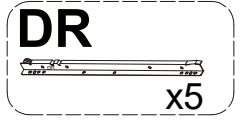
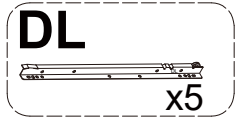
STEP 3



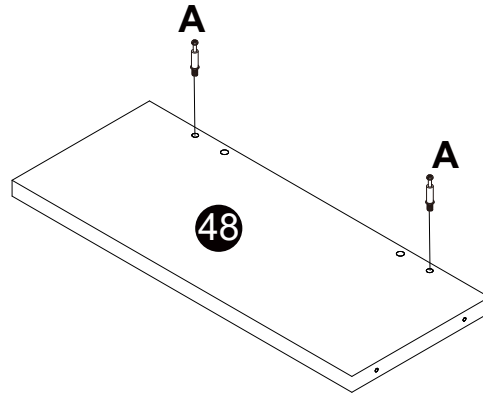
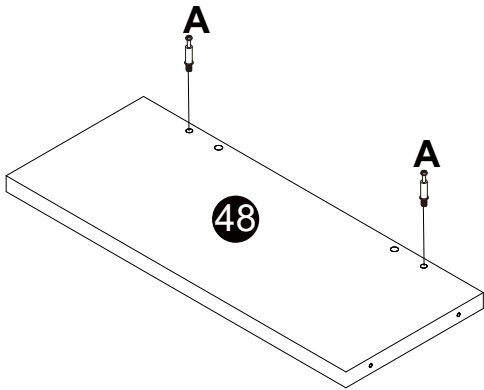
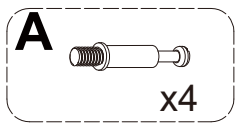
STEP 4



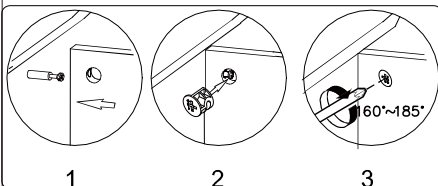
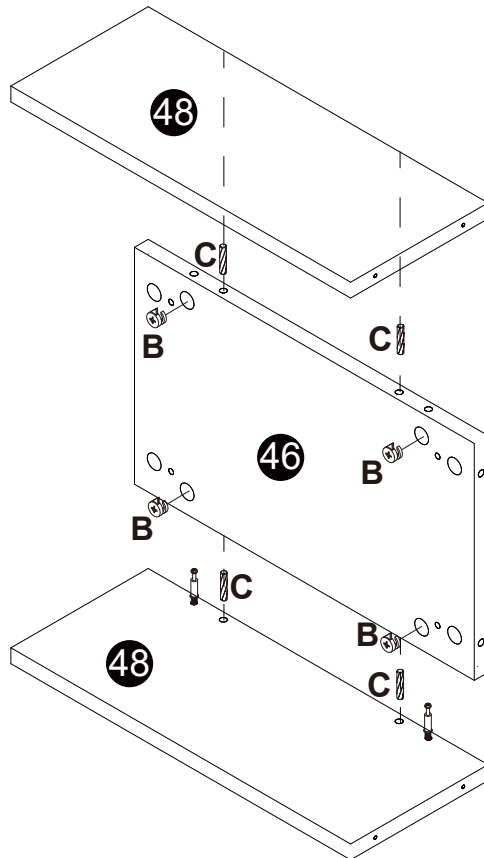
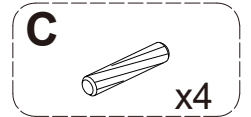
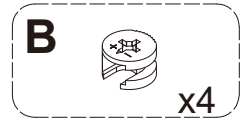
STEP 5



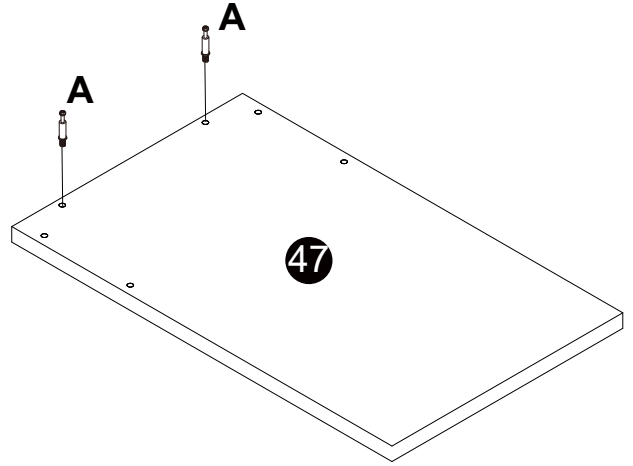
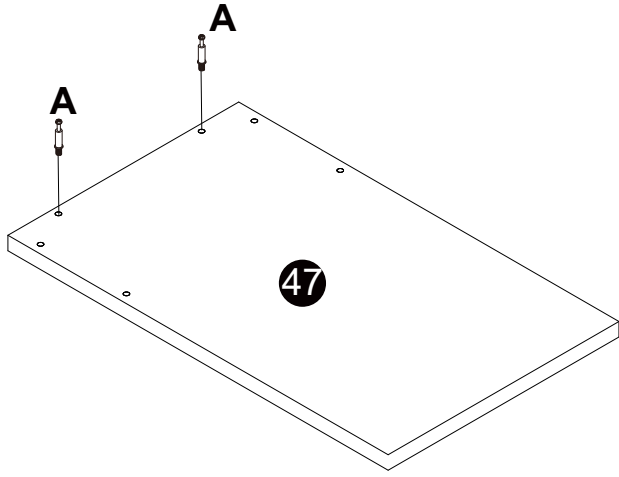
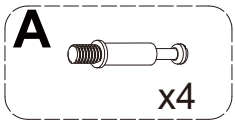
STEP 6



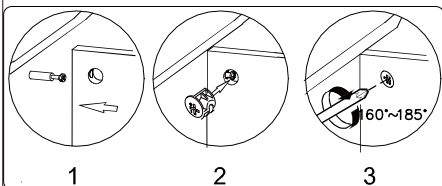
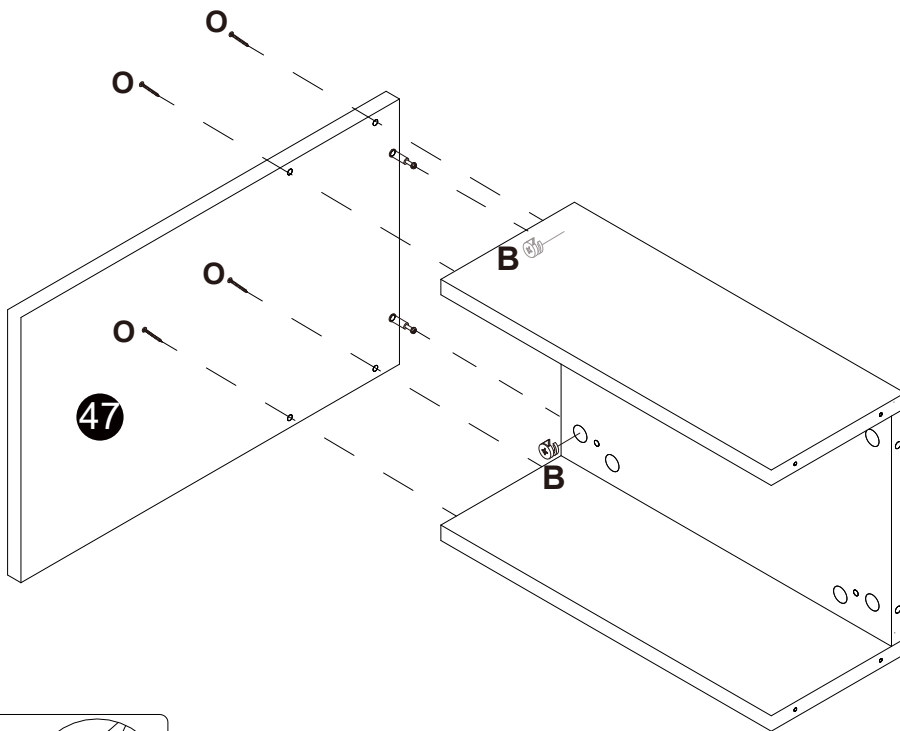
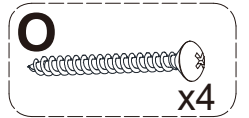
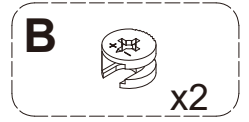
STEP 7



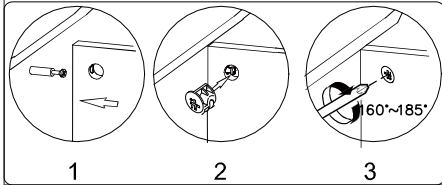
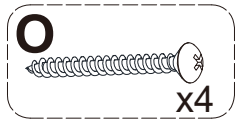
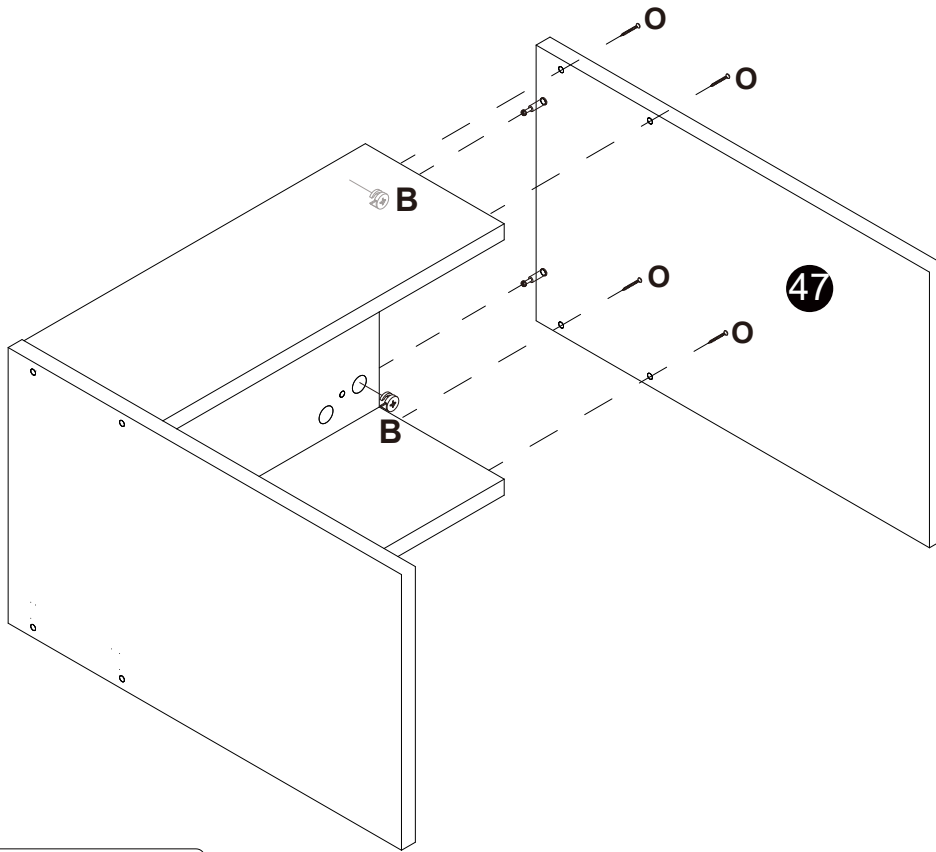
STEP 8



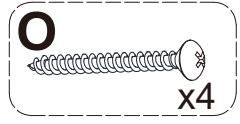
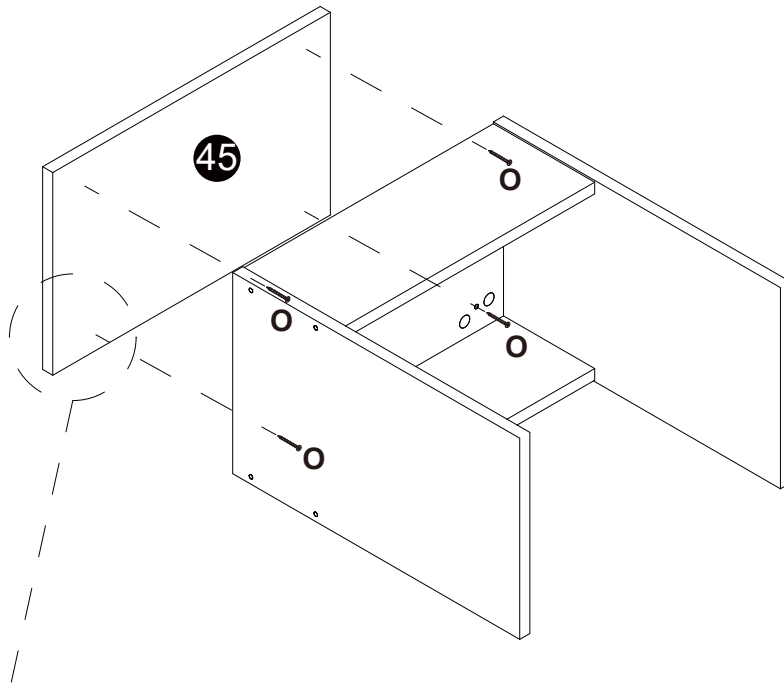
STEP 9



STEP 10

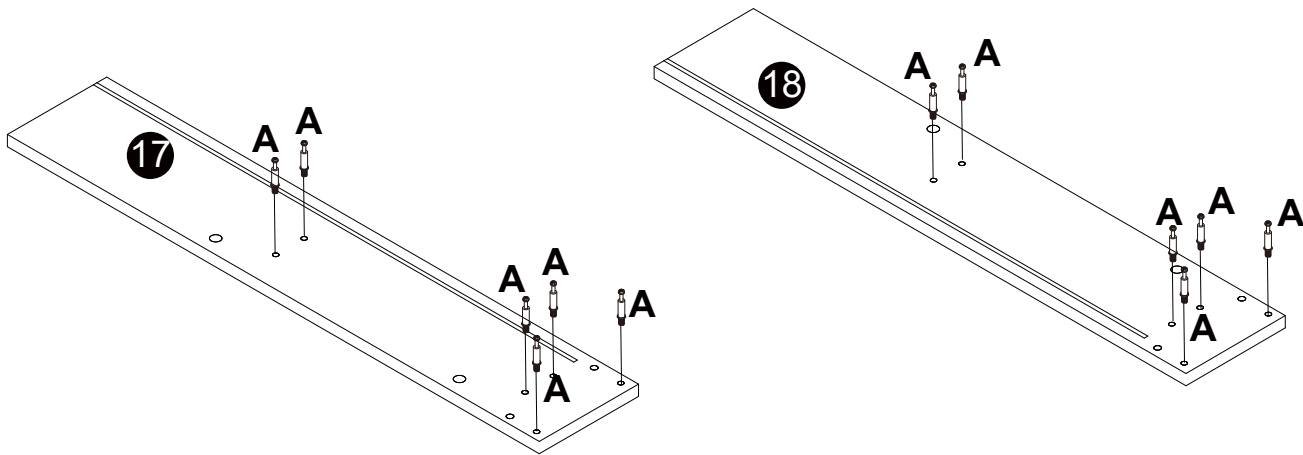
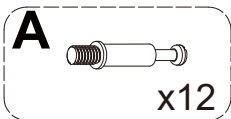


STEP 11

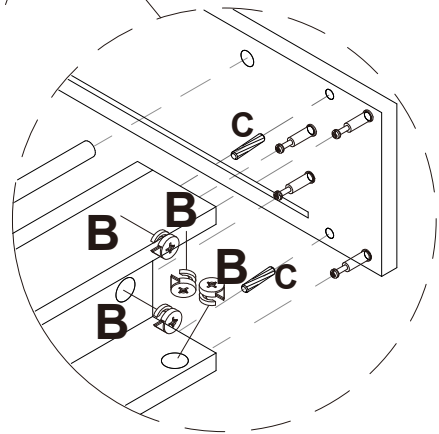
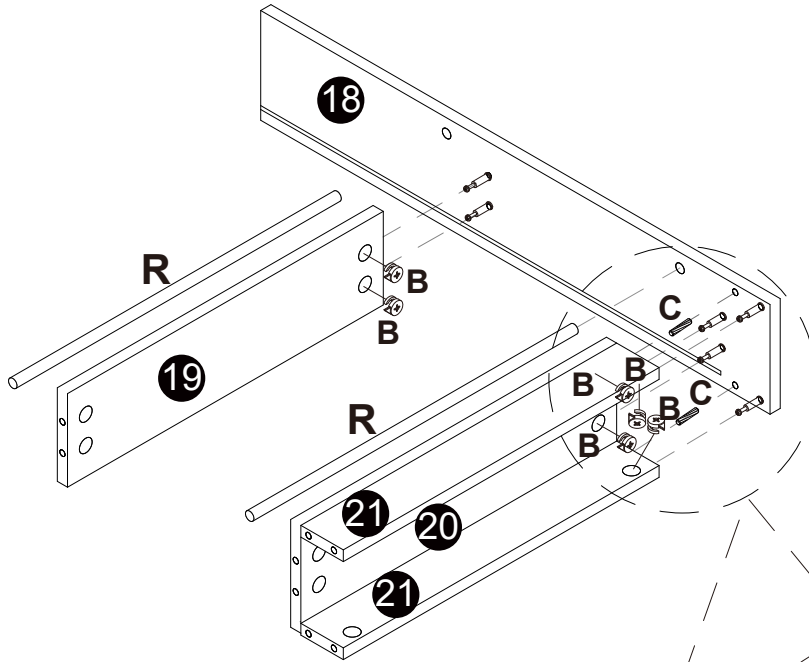
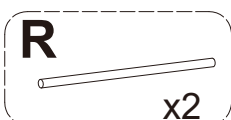
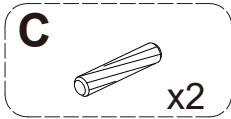


There are no holes on the seat cushion, please align the positions and directly screw them in

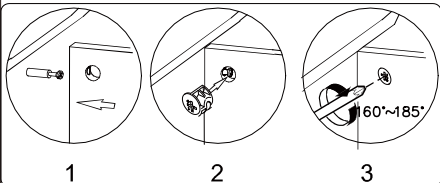
STEP 12



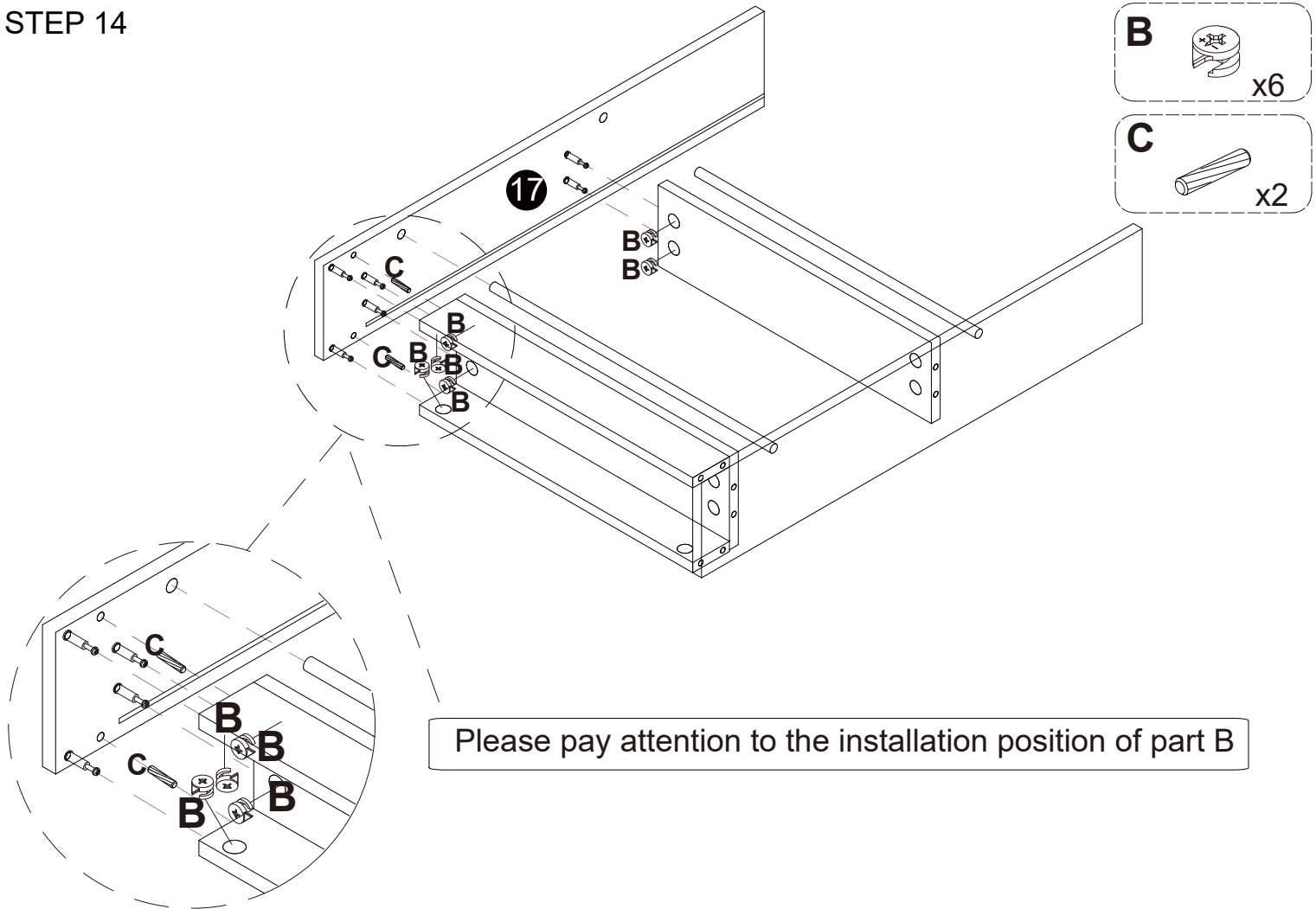
STEP 13



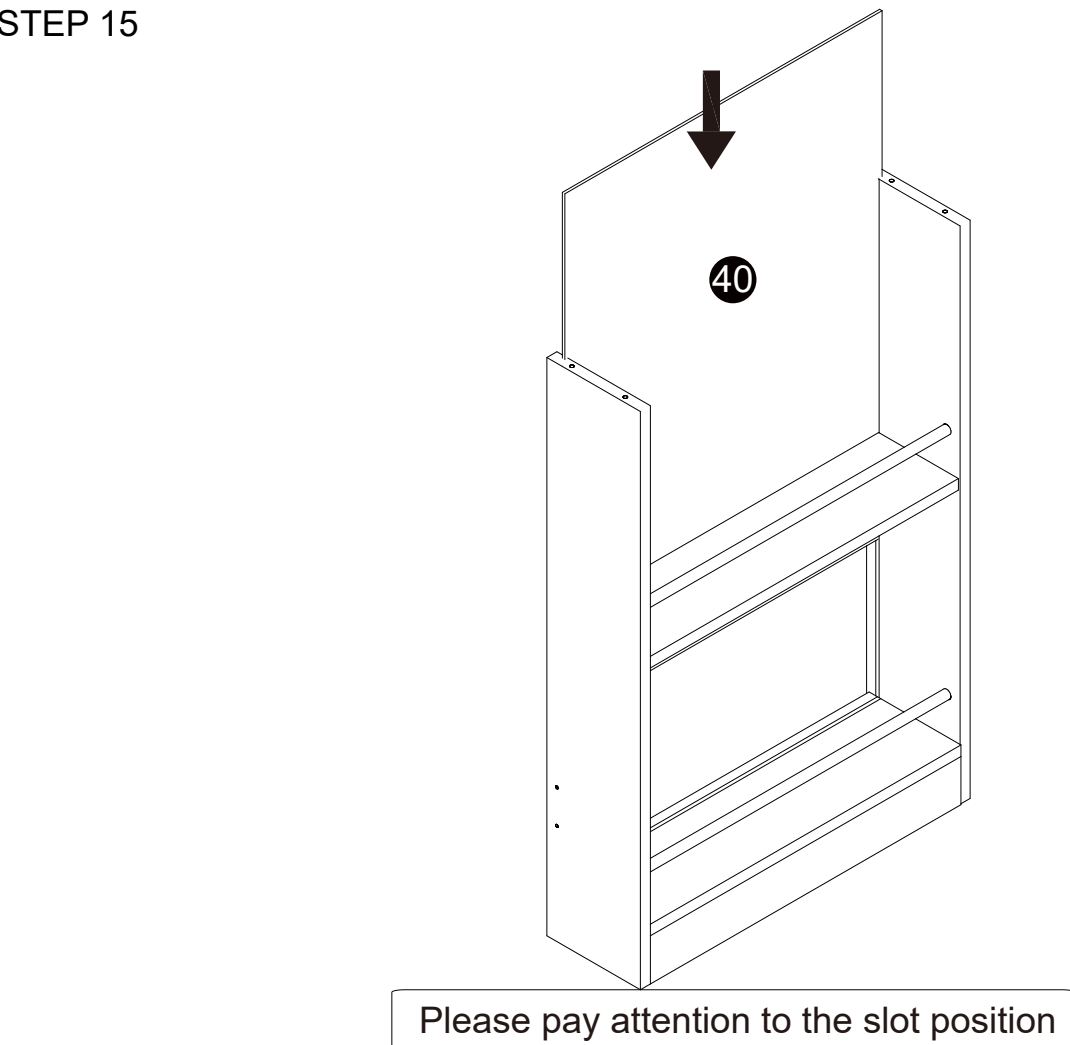
Please pay attention to the installation position of part B



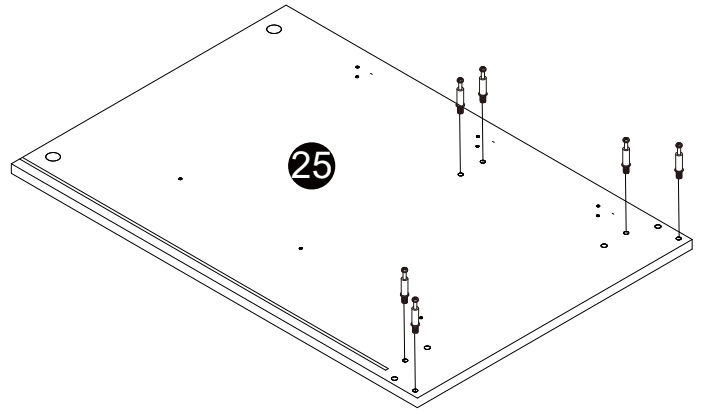
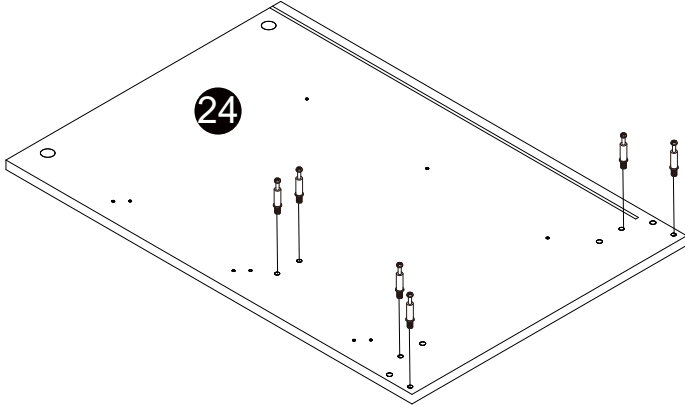
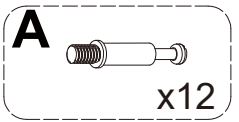
STEP 14



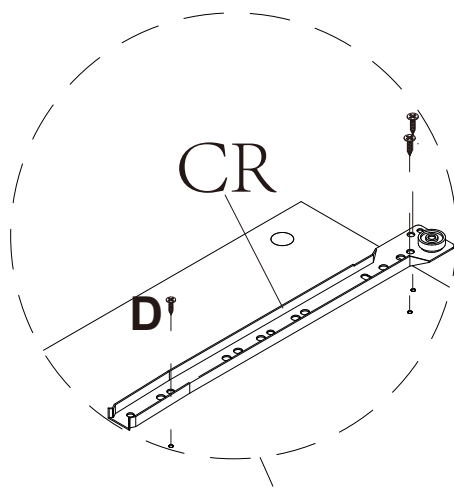
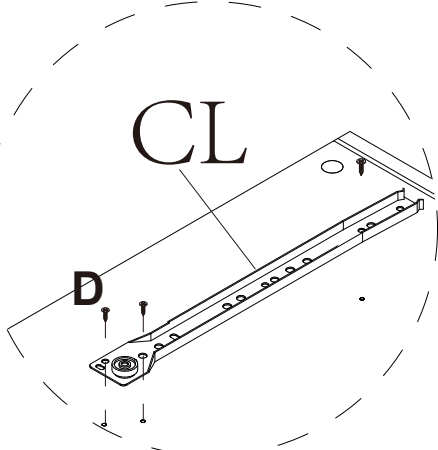
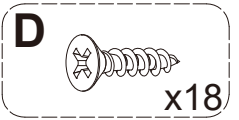
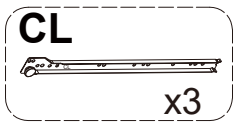
STEP 15



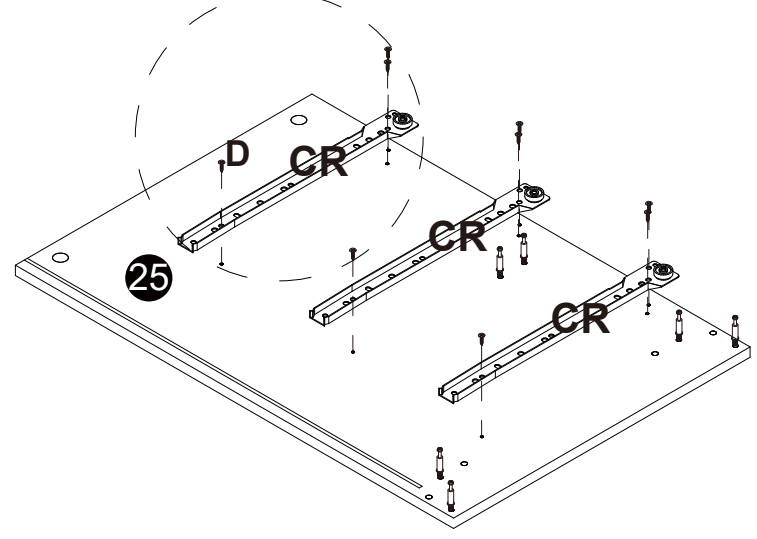
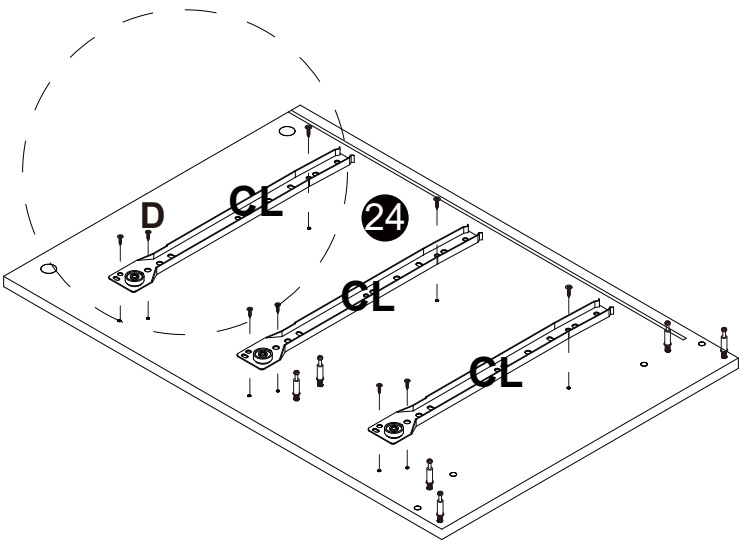
STEP 16




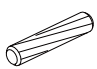
STEP 17

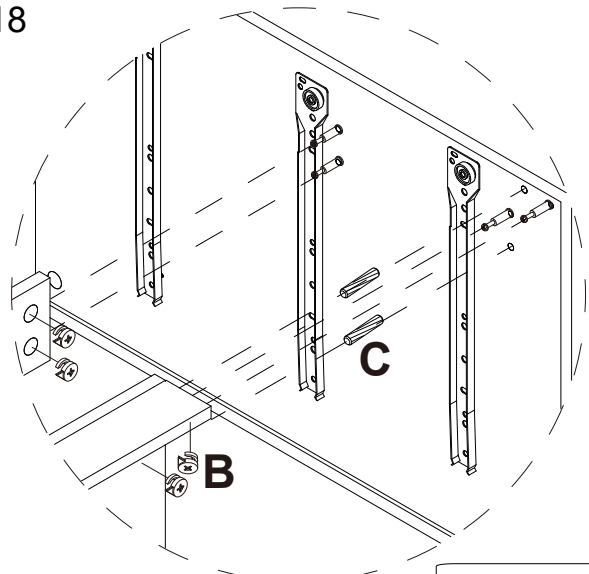


Pay attention to the installation direction of the slide rail

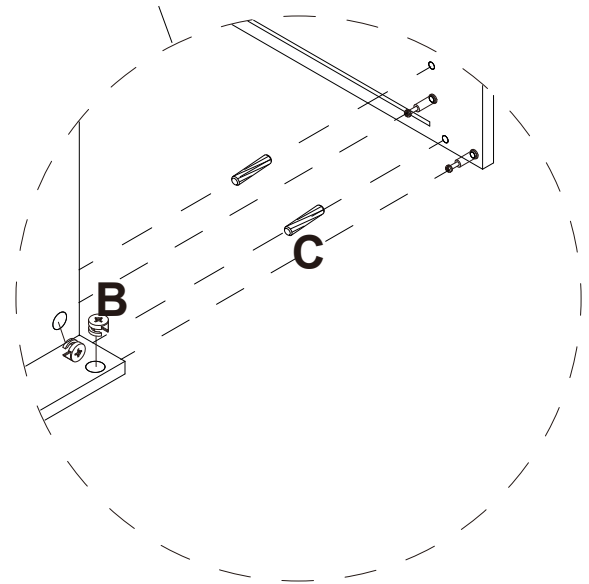
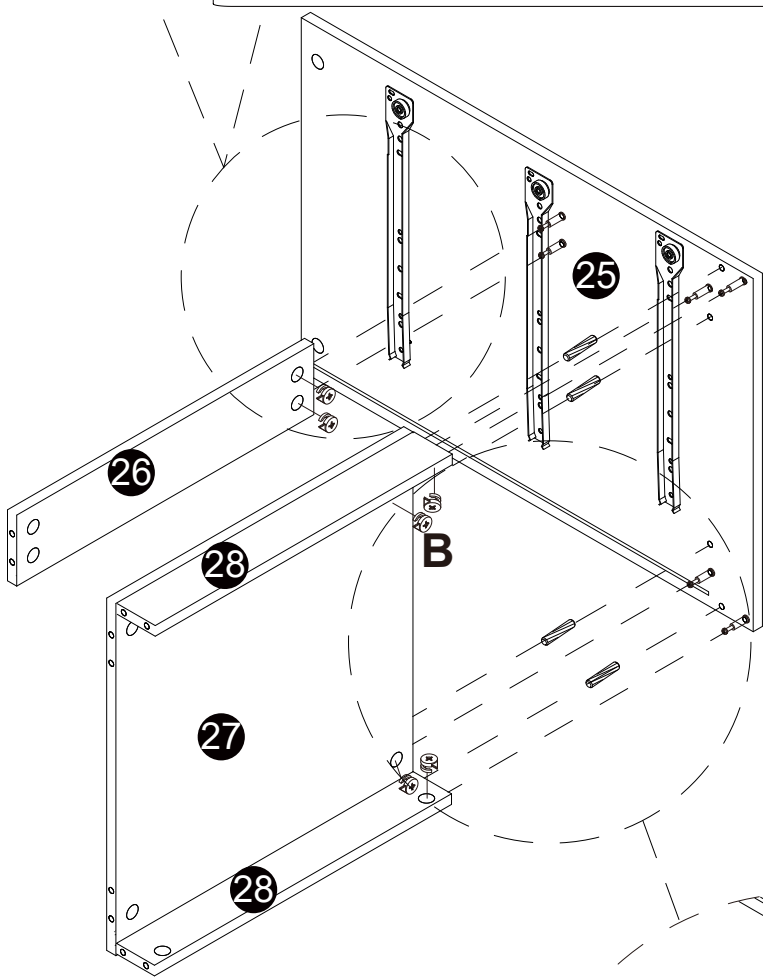


STEP 18


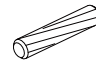
- B**  x6
- C**  x4

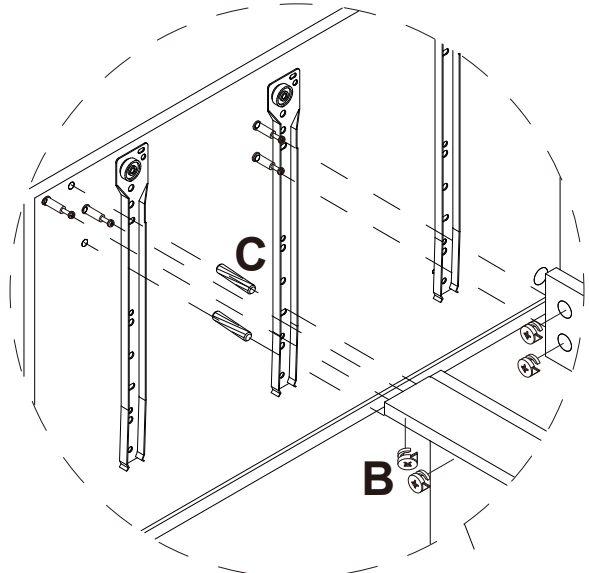


Please pay attention to the installation position of part B

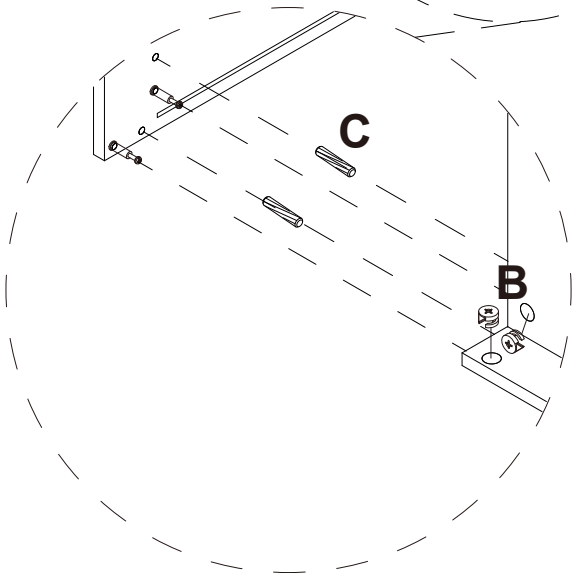
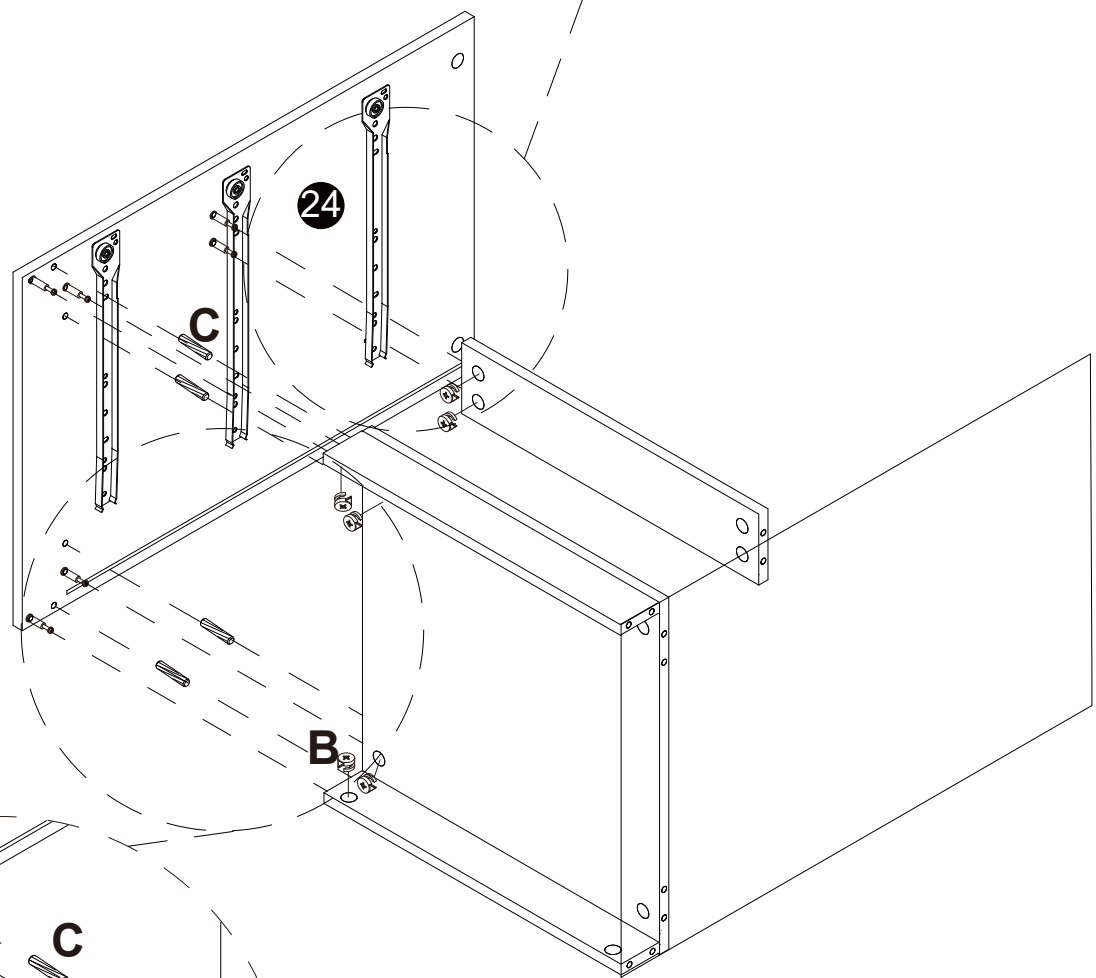


STEP 19

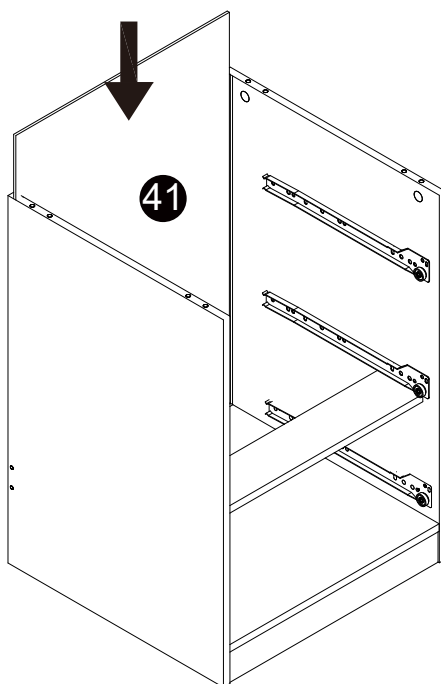
- B**  x6
- C**  x4



Please pay attention to the installation position of part B

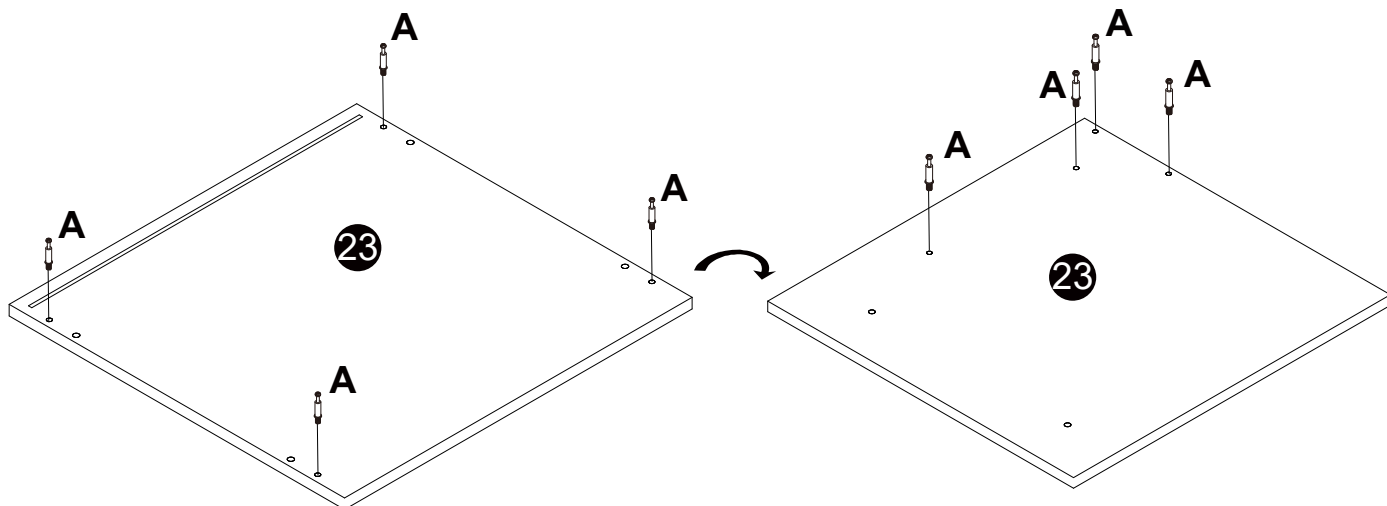
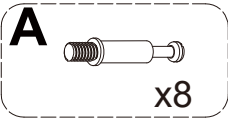


STEP 20



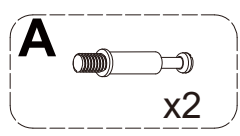
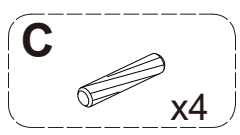
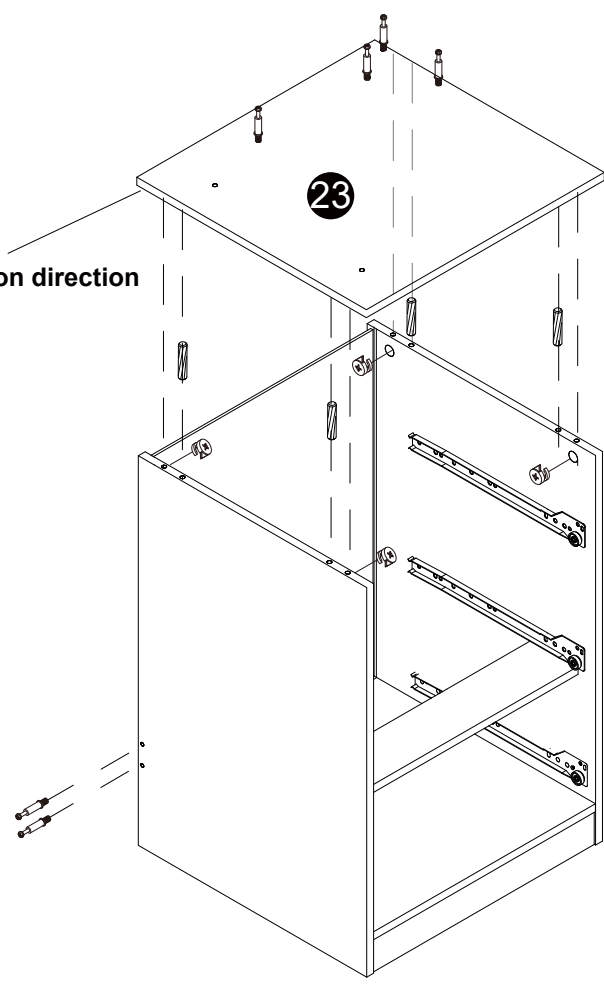
Please pay attention to the slot position

STEP 21

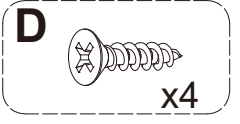
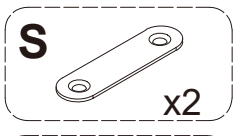
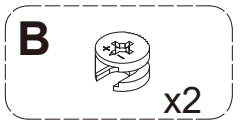
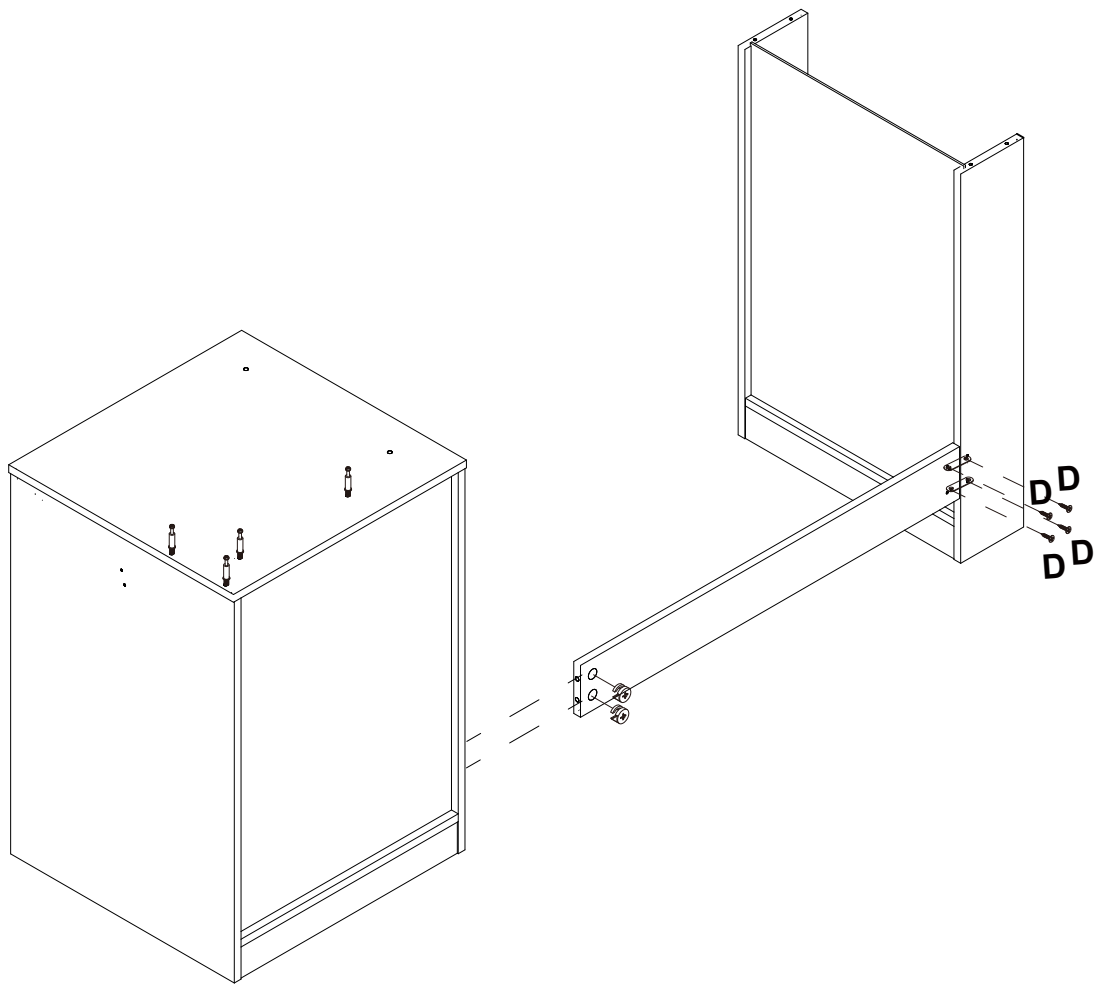


STEP 22

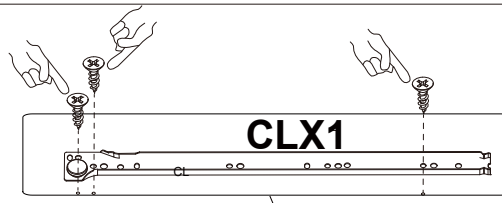
Pay attention to the installation direction



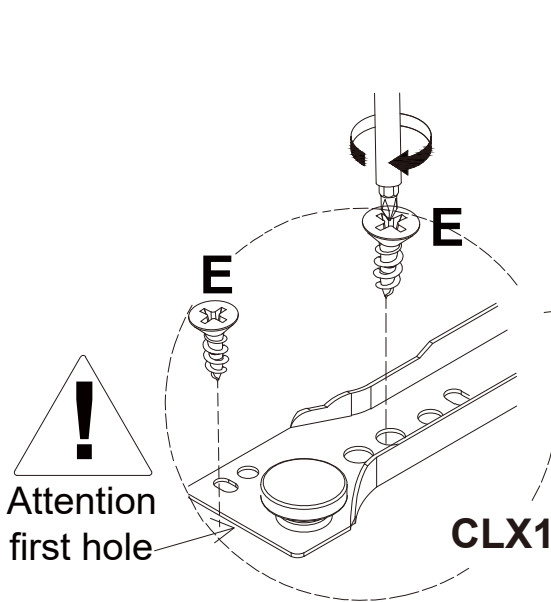
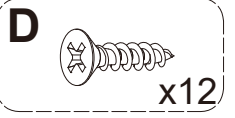
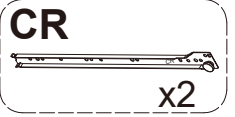
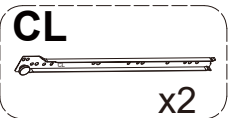
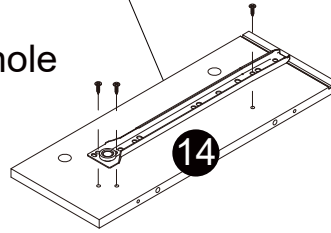
STEP 23



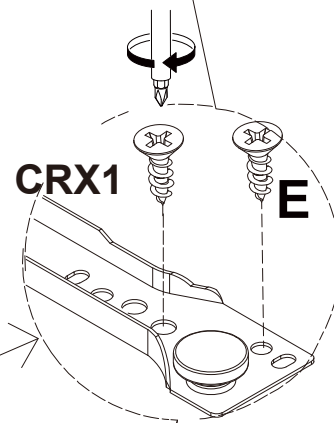
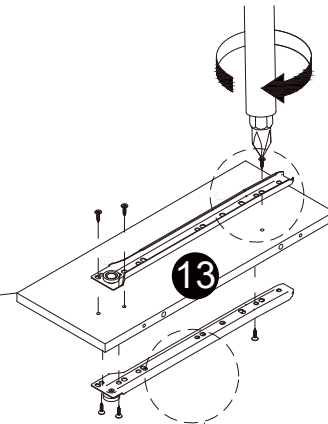
STEP 24



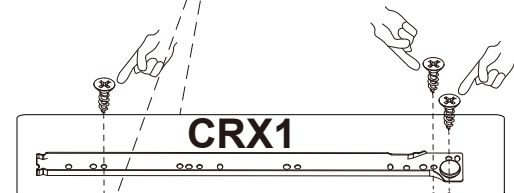
Attention
Second hole



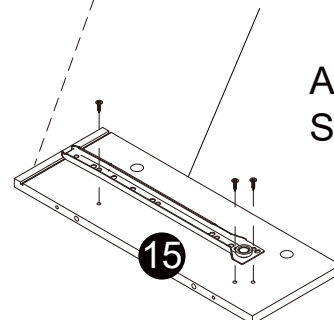
Attention
first hole



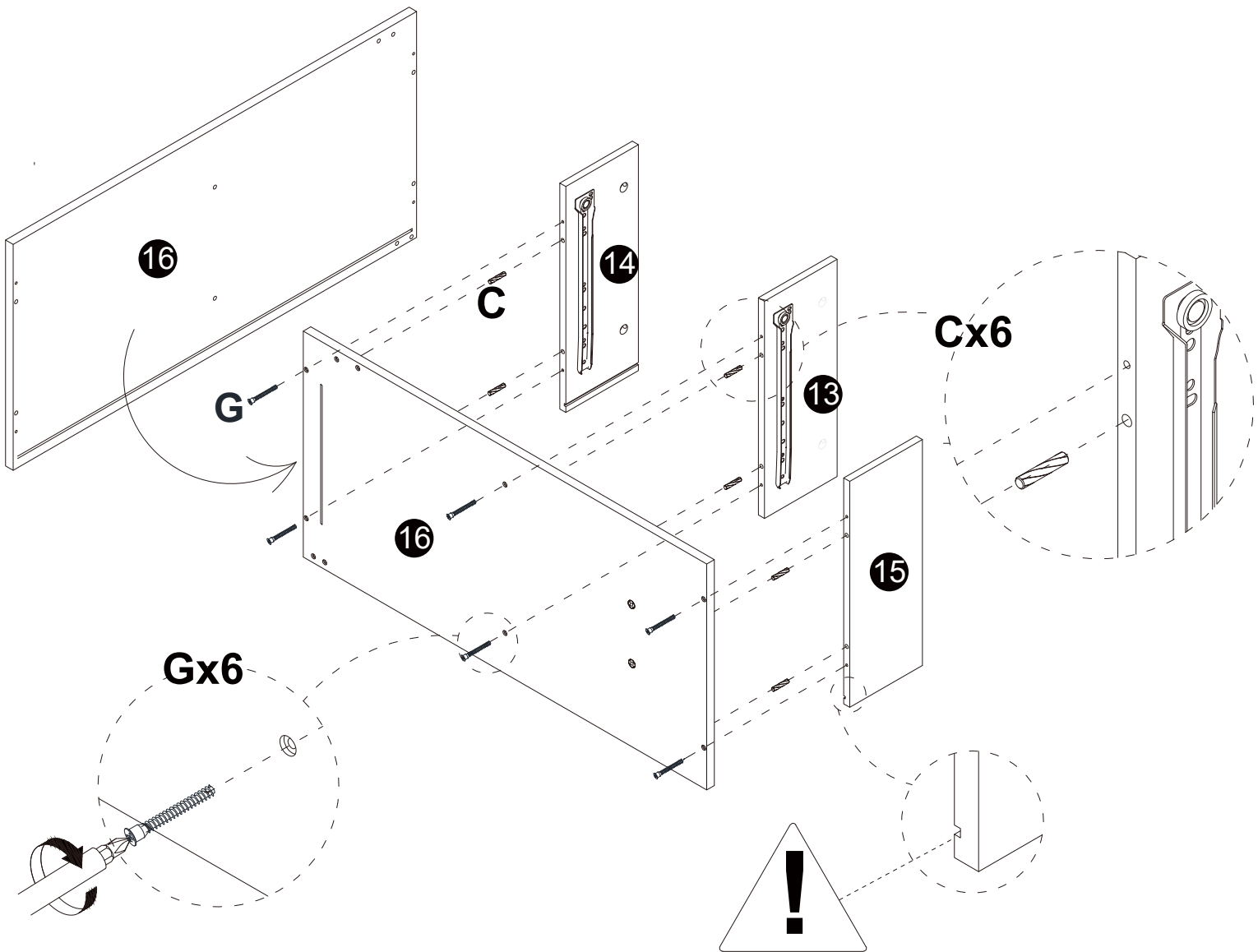
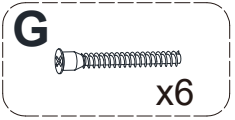
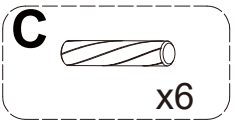
Attention
second hole



Attention
Second hole

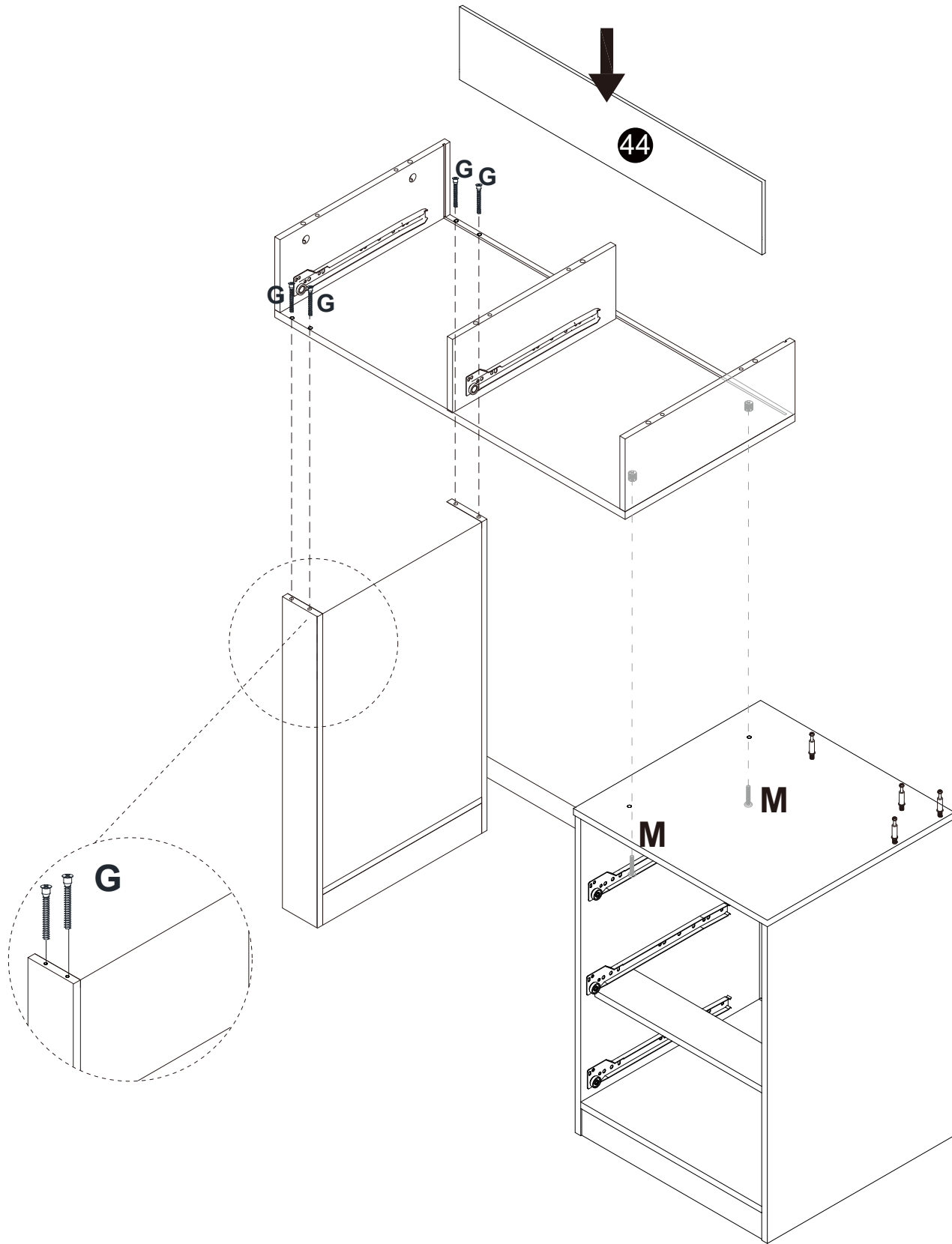
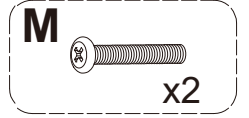
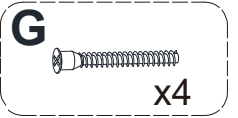


STEP 25

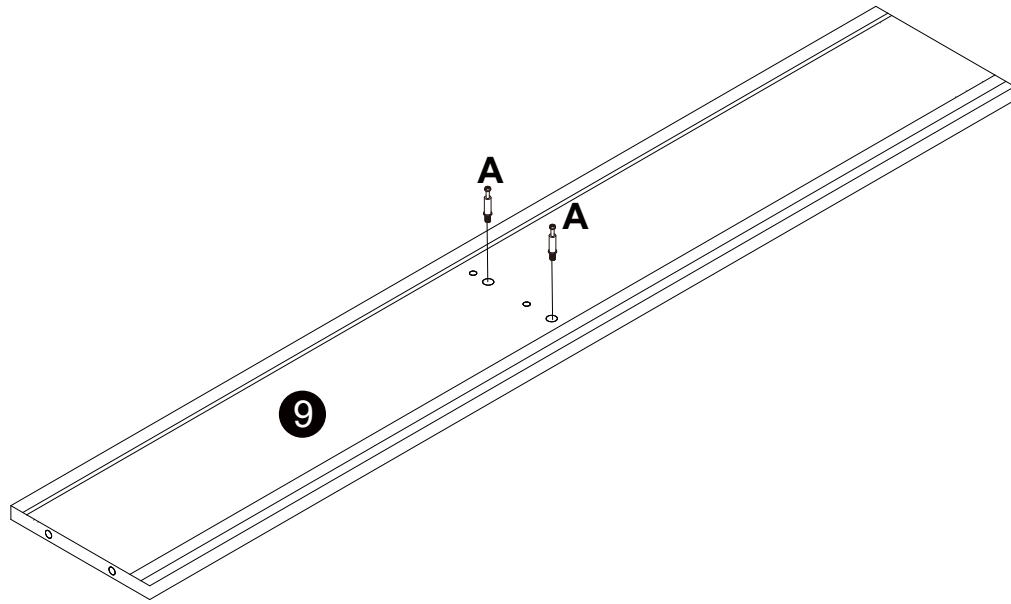
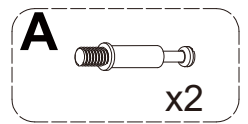


STEP 26

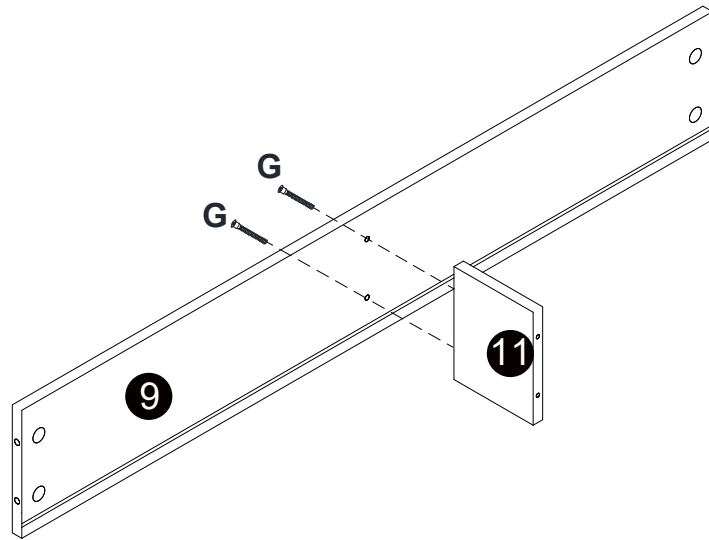
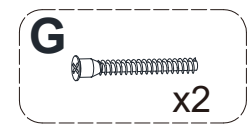
Please pay attention to the slot position



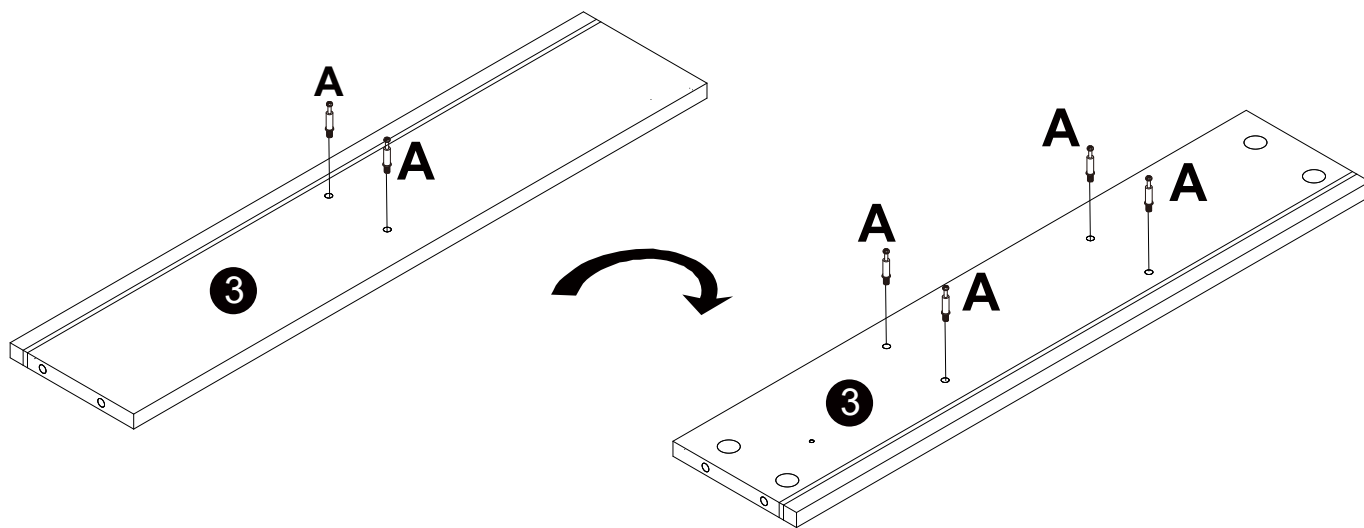
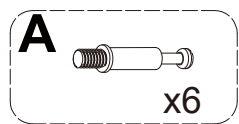
STEP 27



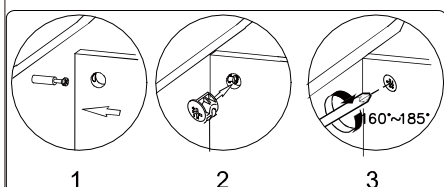
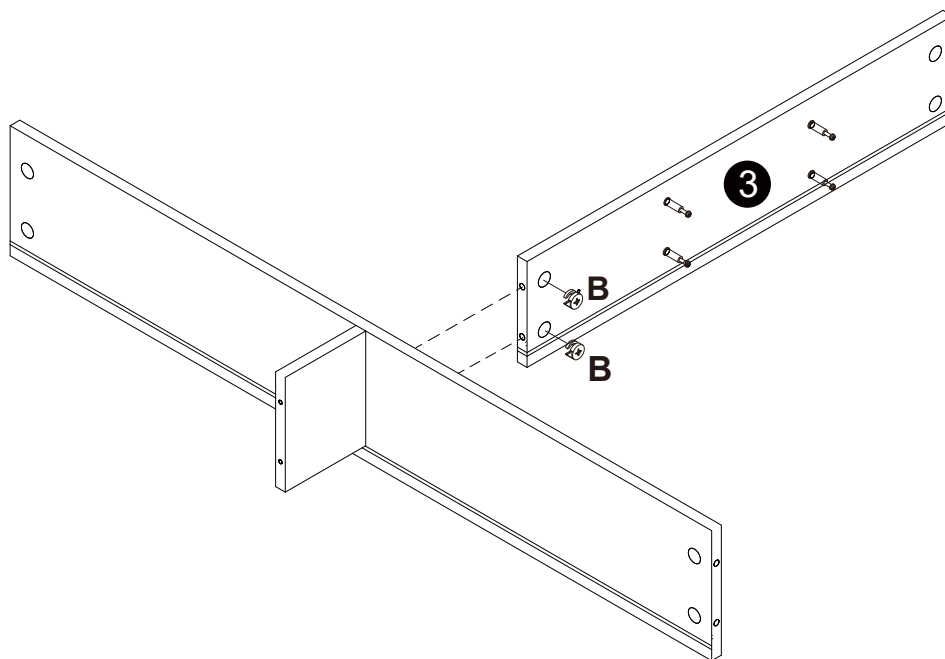
STEP 28



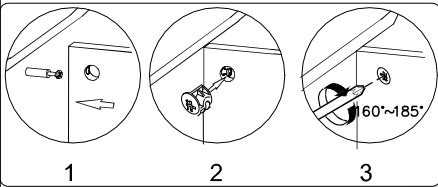
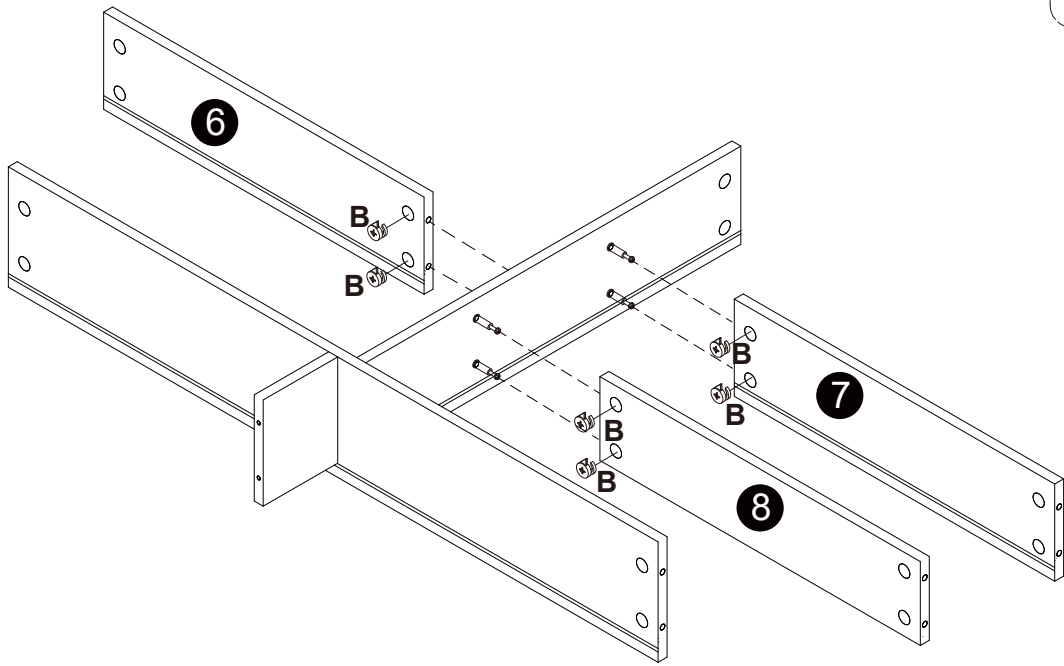
STEP 29



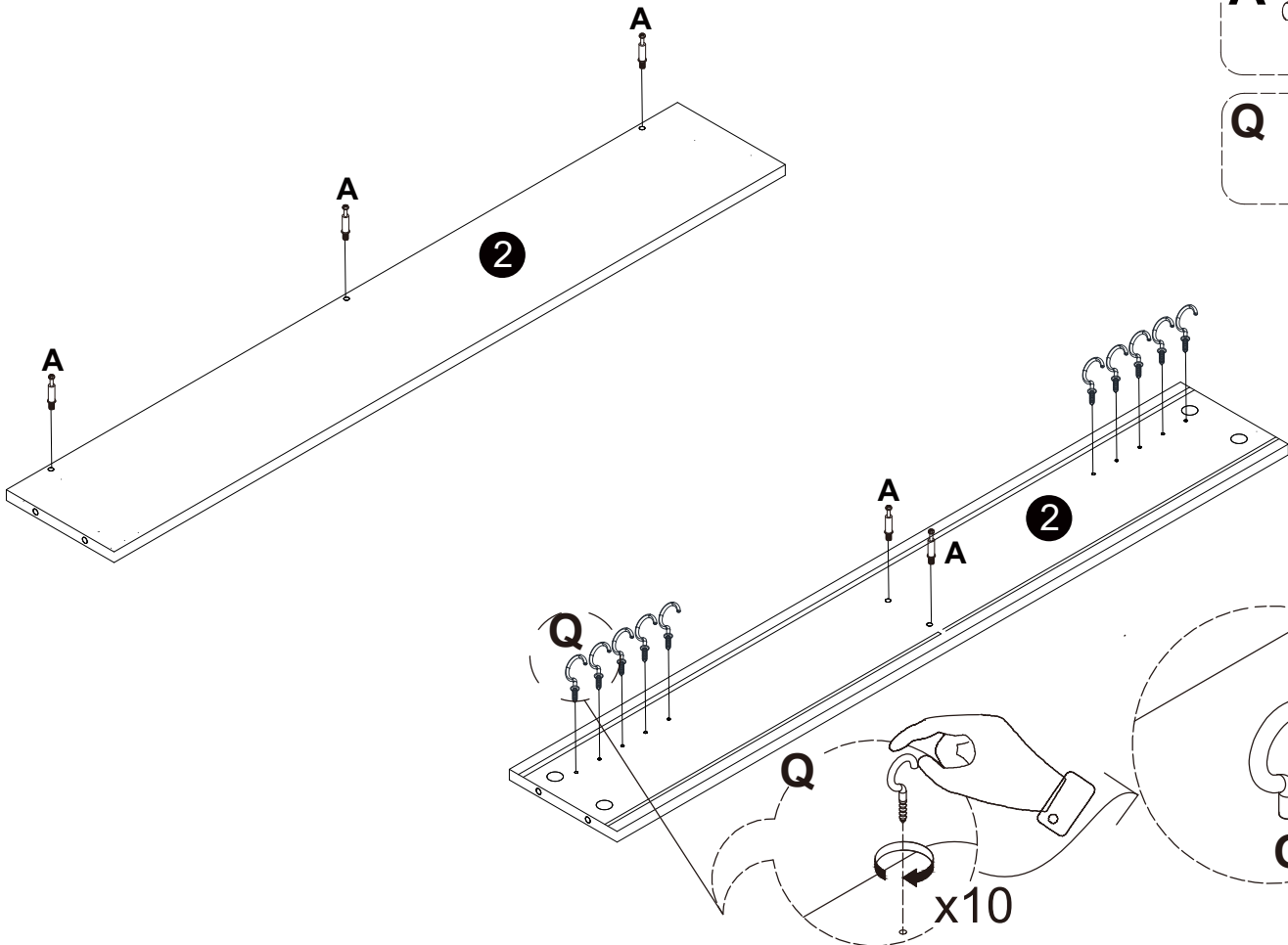
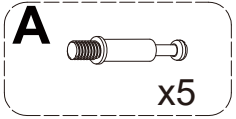
STEP 30



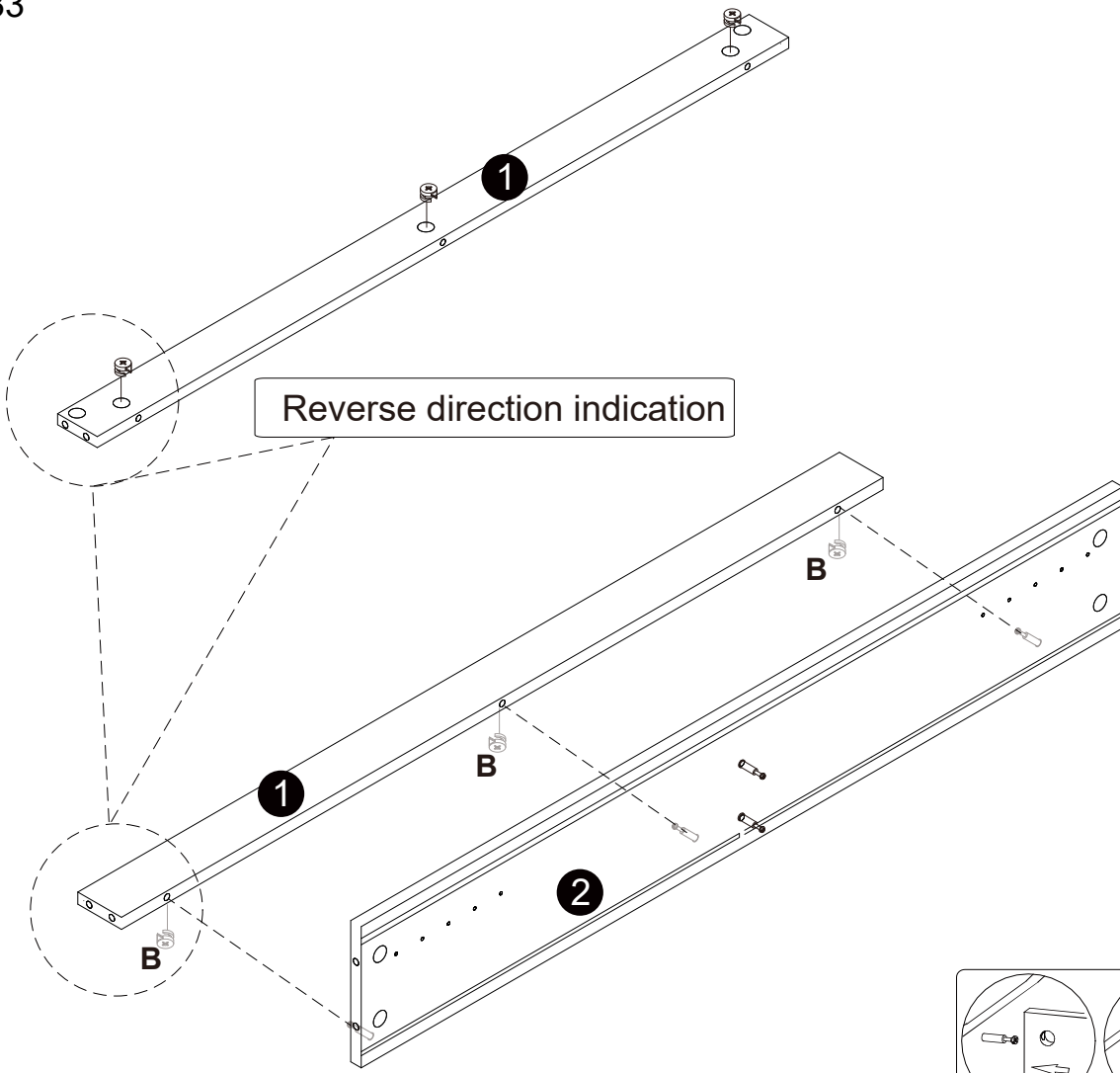
STEP 31



STEP 32

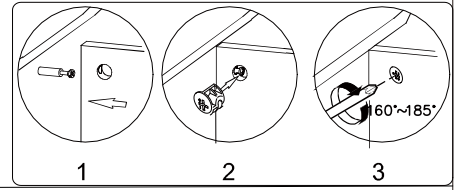


STEP 33

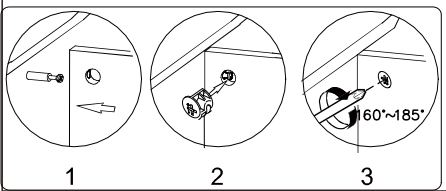
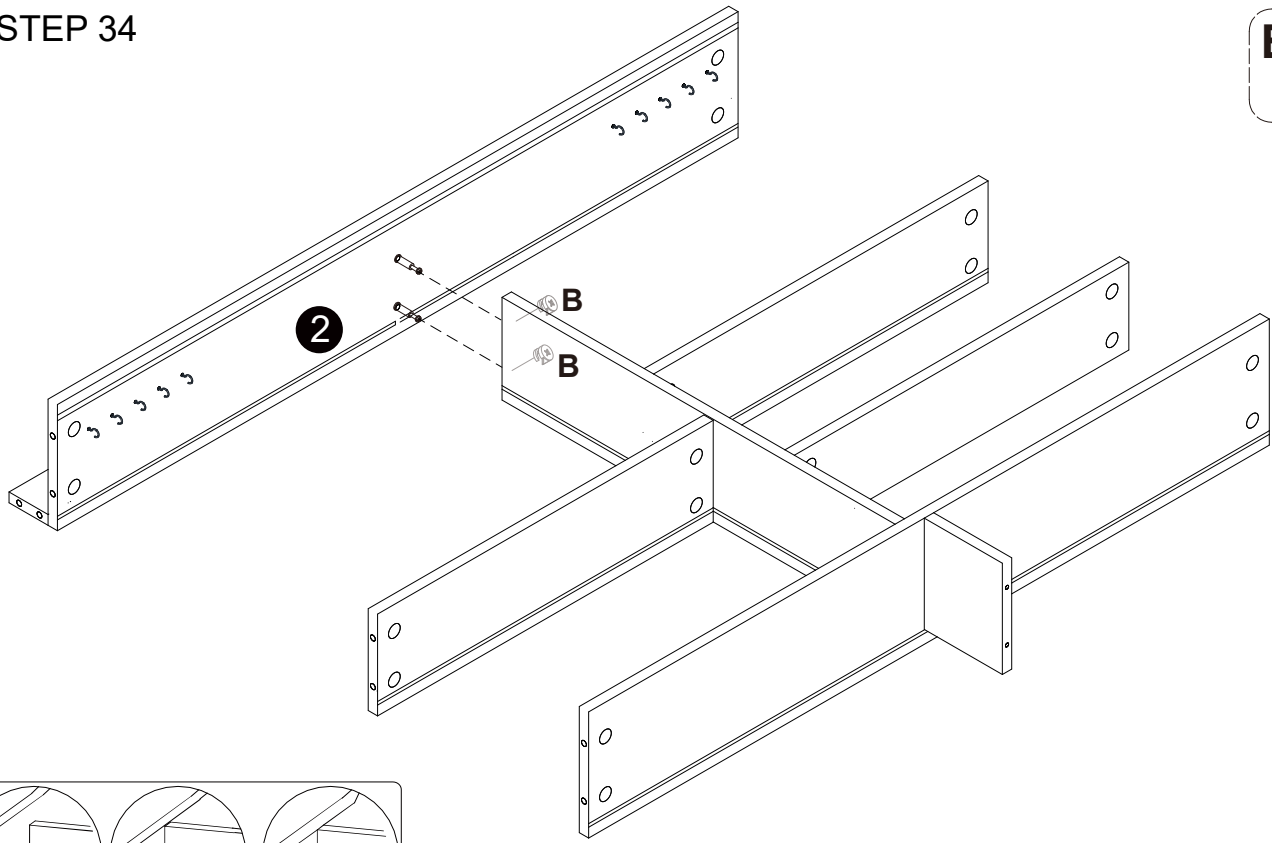


Reverse direction indication

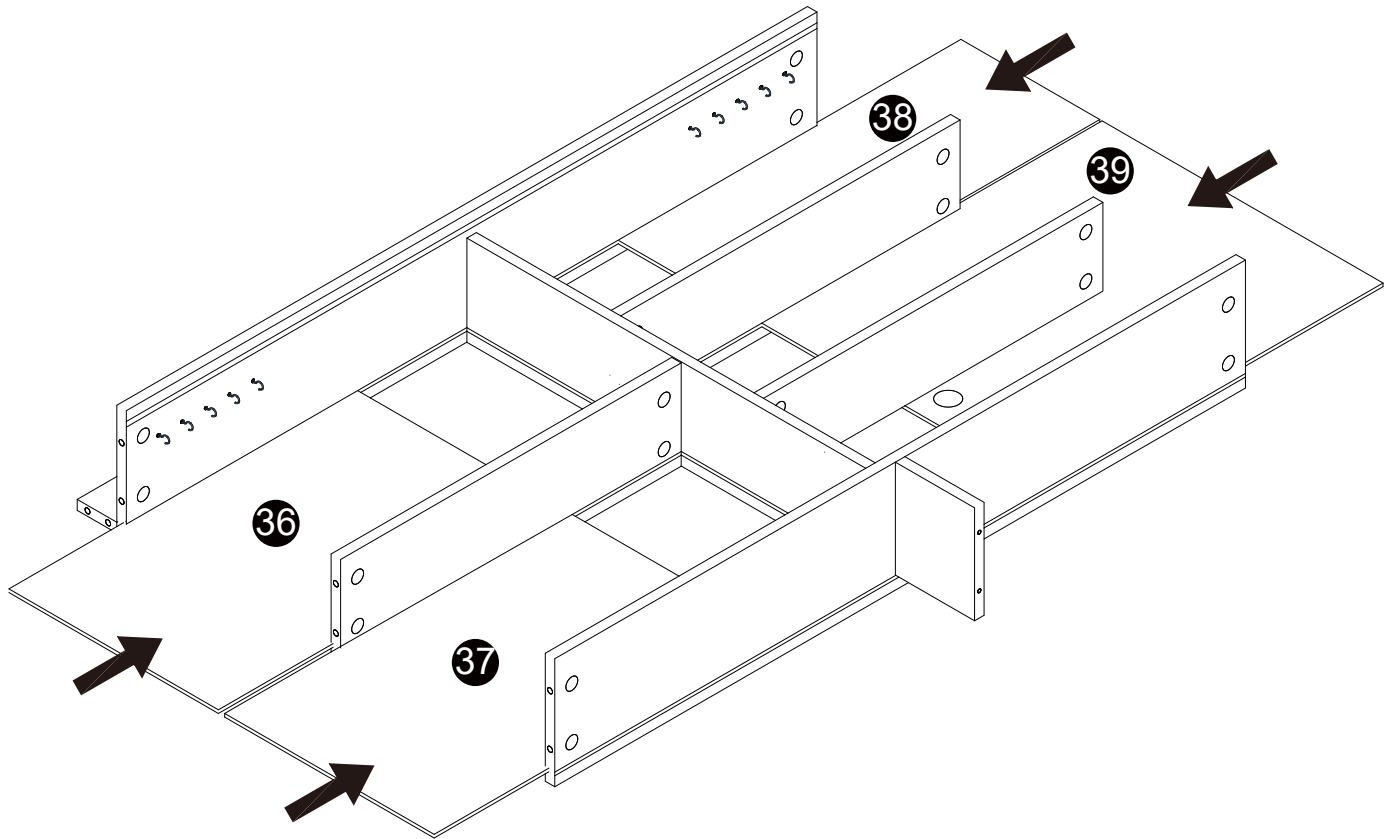
Please pay attention to the installation direction



STEP 34

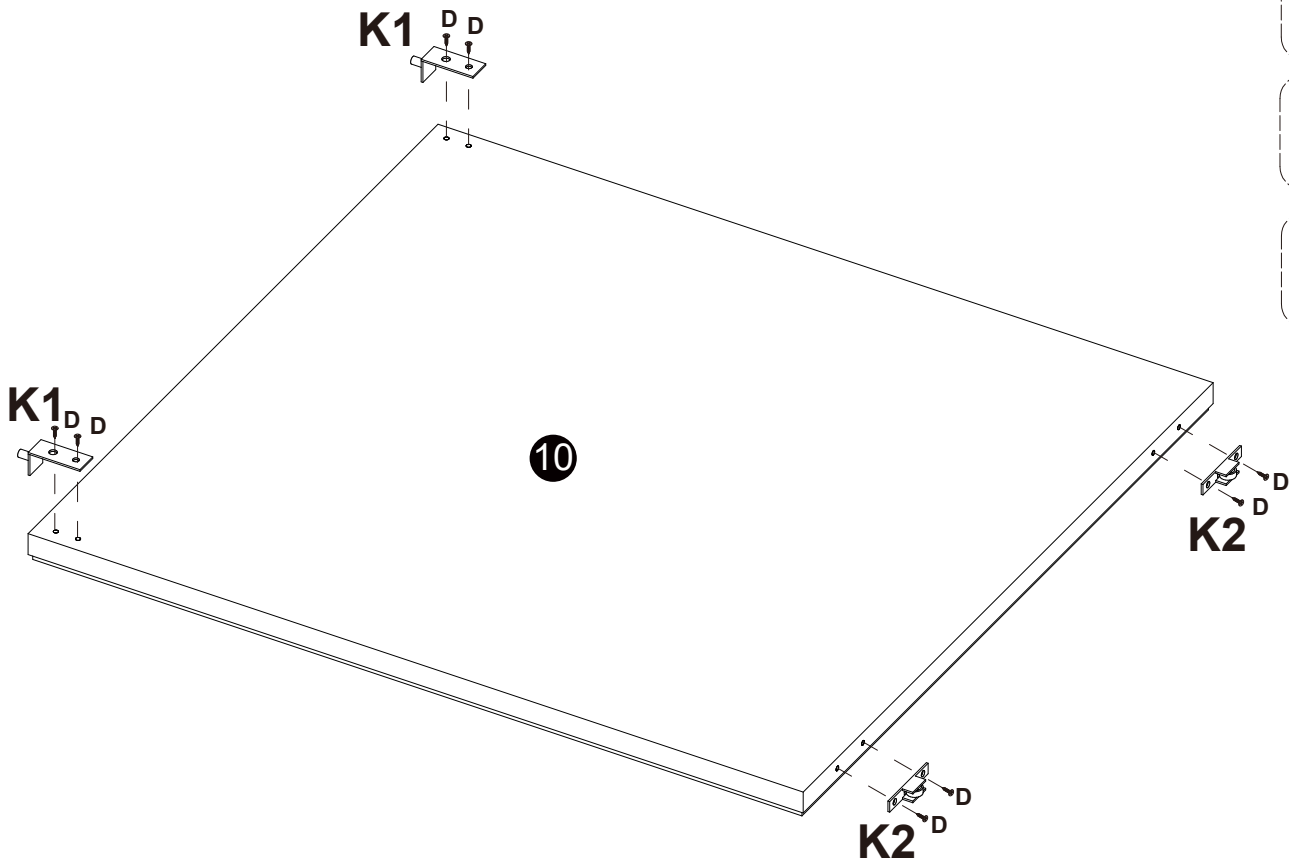



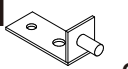
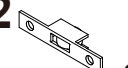
STEP 35



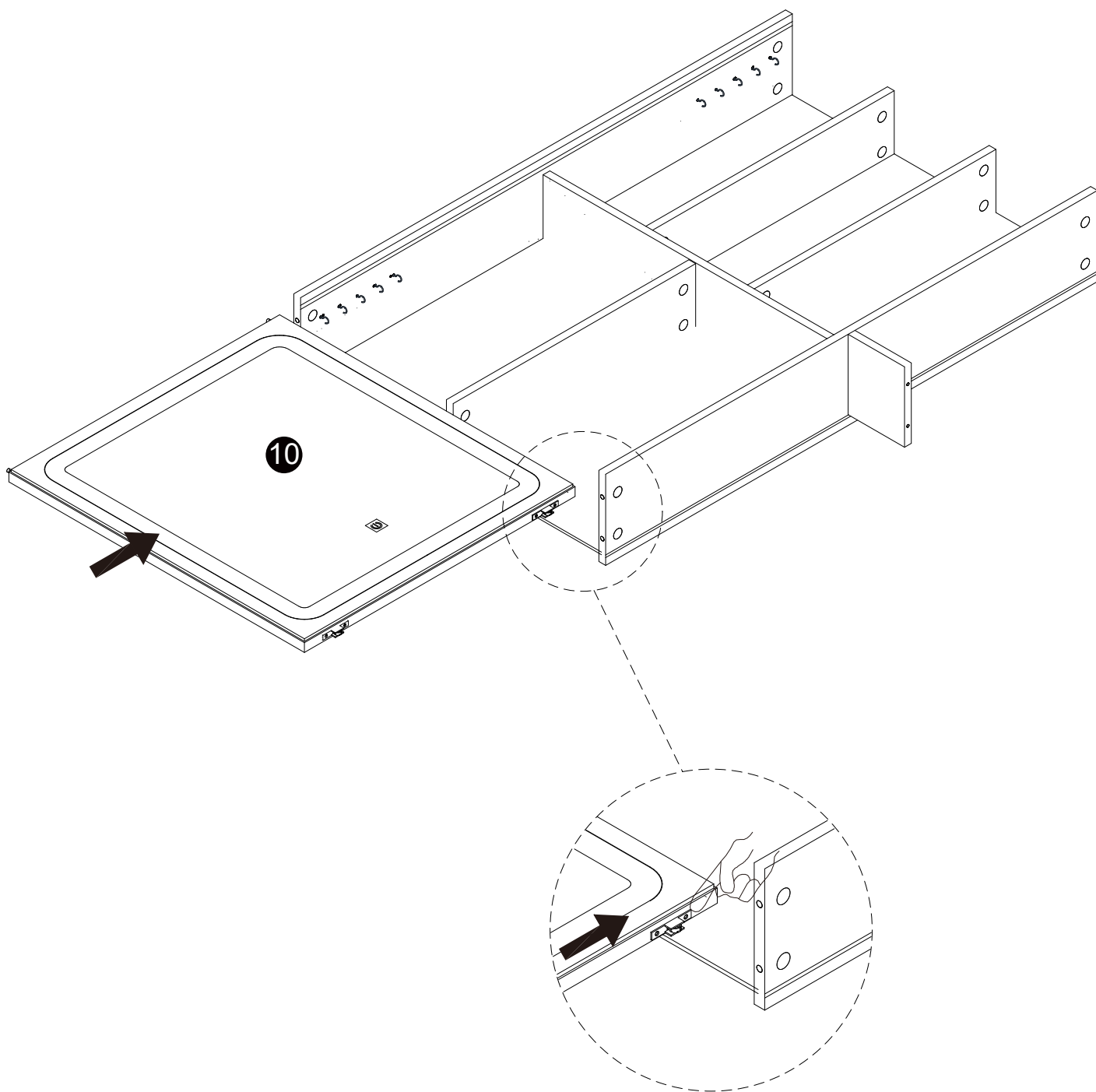
Please pay attention to the slot position

STEP 36



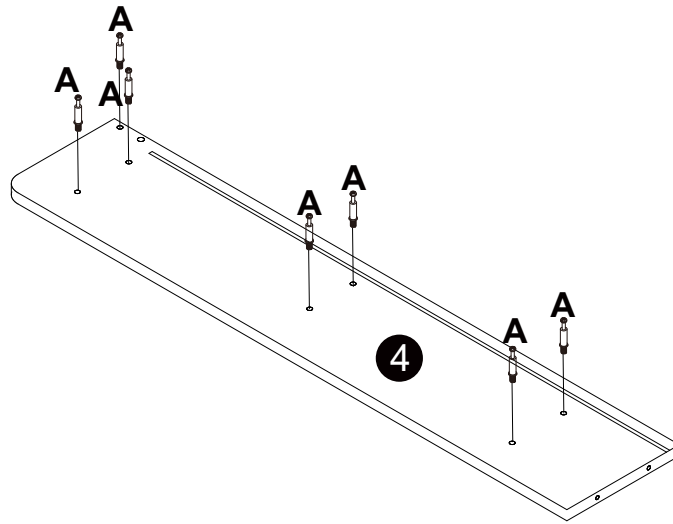
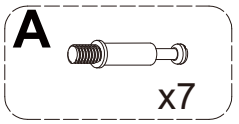
- D**  x8
- K1**  x2
- K2**  x2

STEP 37

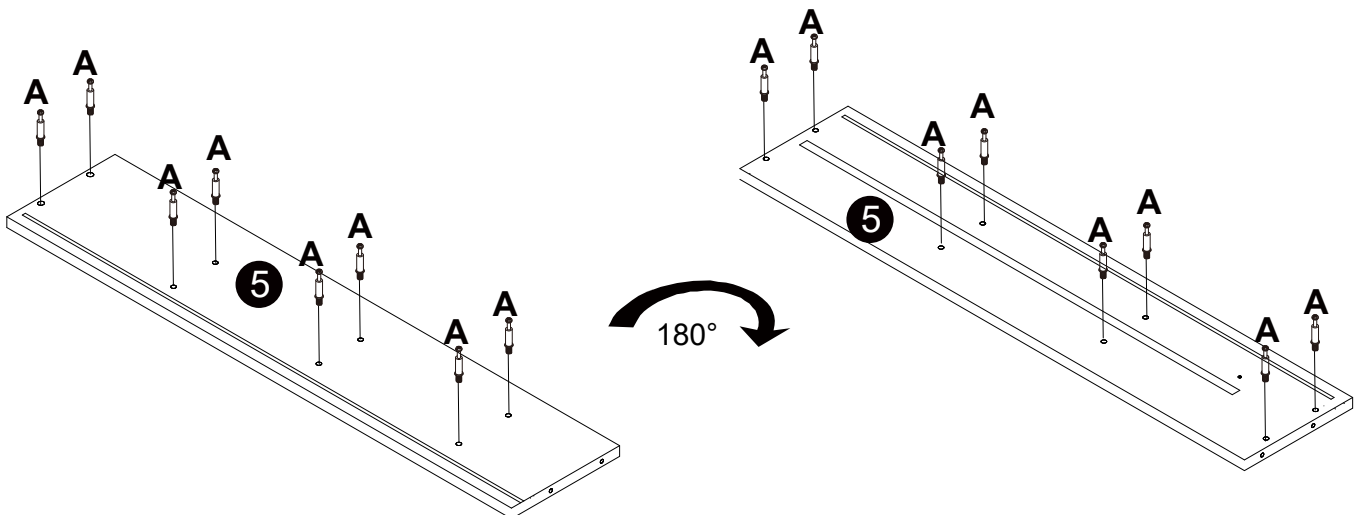
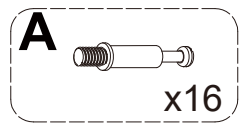


Please pay attention to the slot position

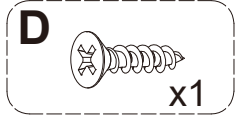
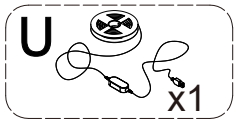
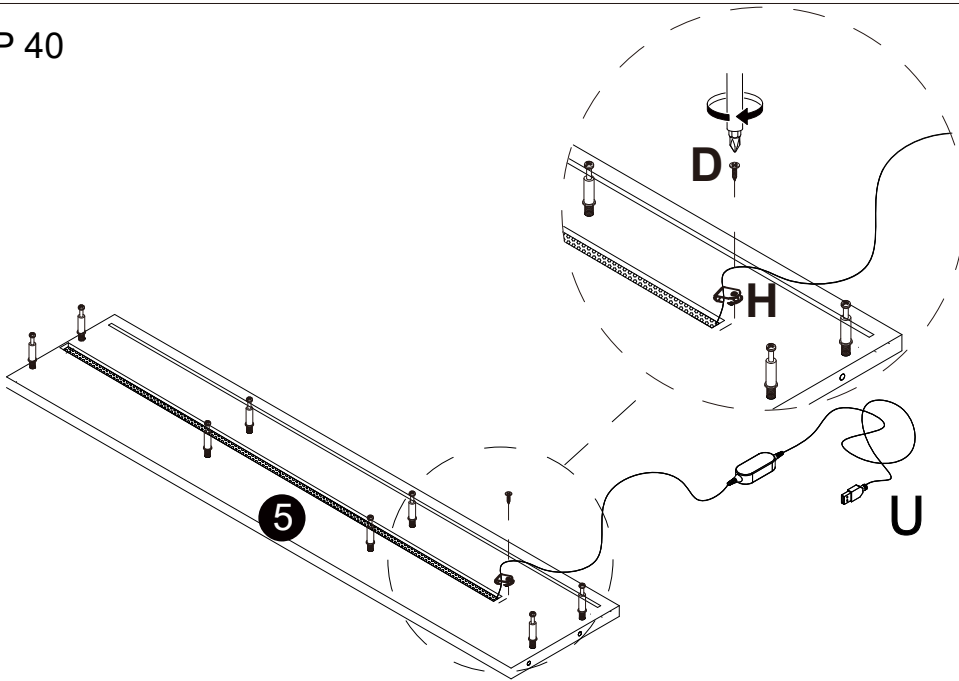
STEP 38



STEP 39

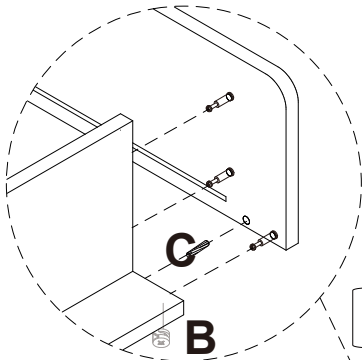


STEP 40

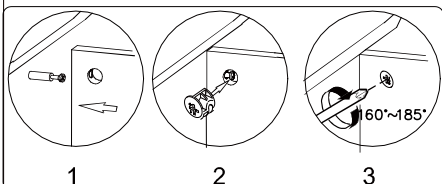
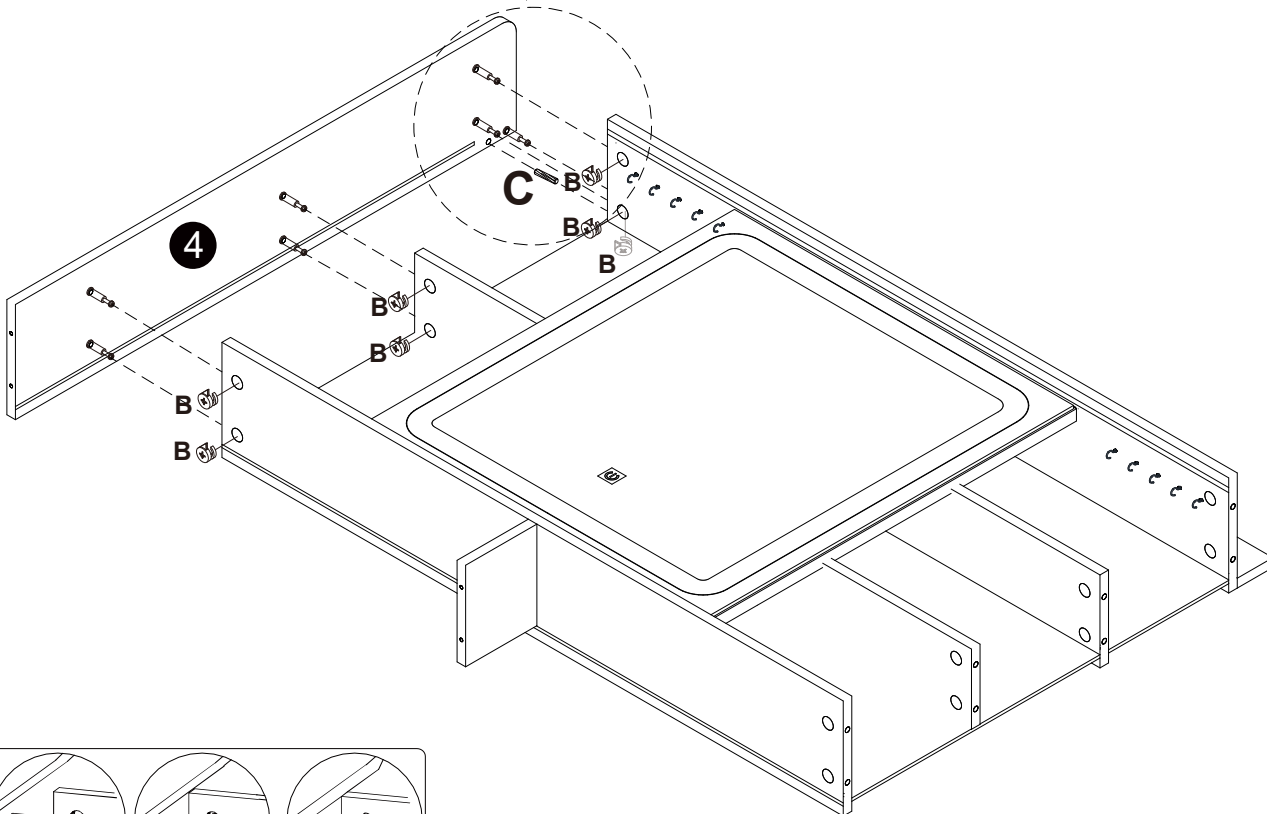
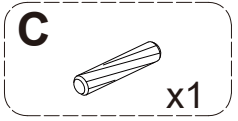


Note: The light belt is installed on the bottom of the tank.

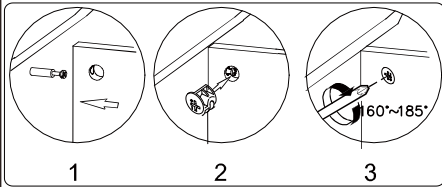
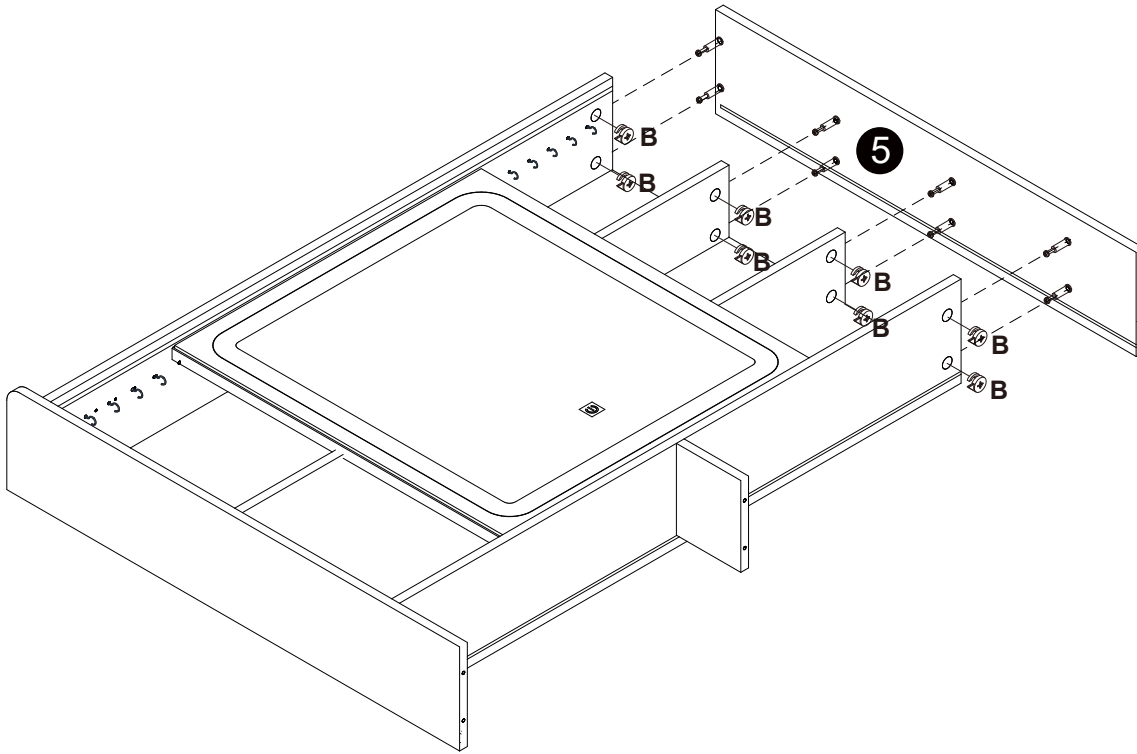
STEP 41



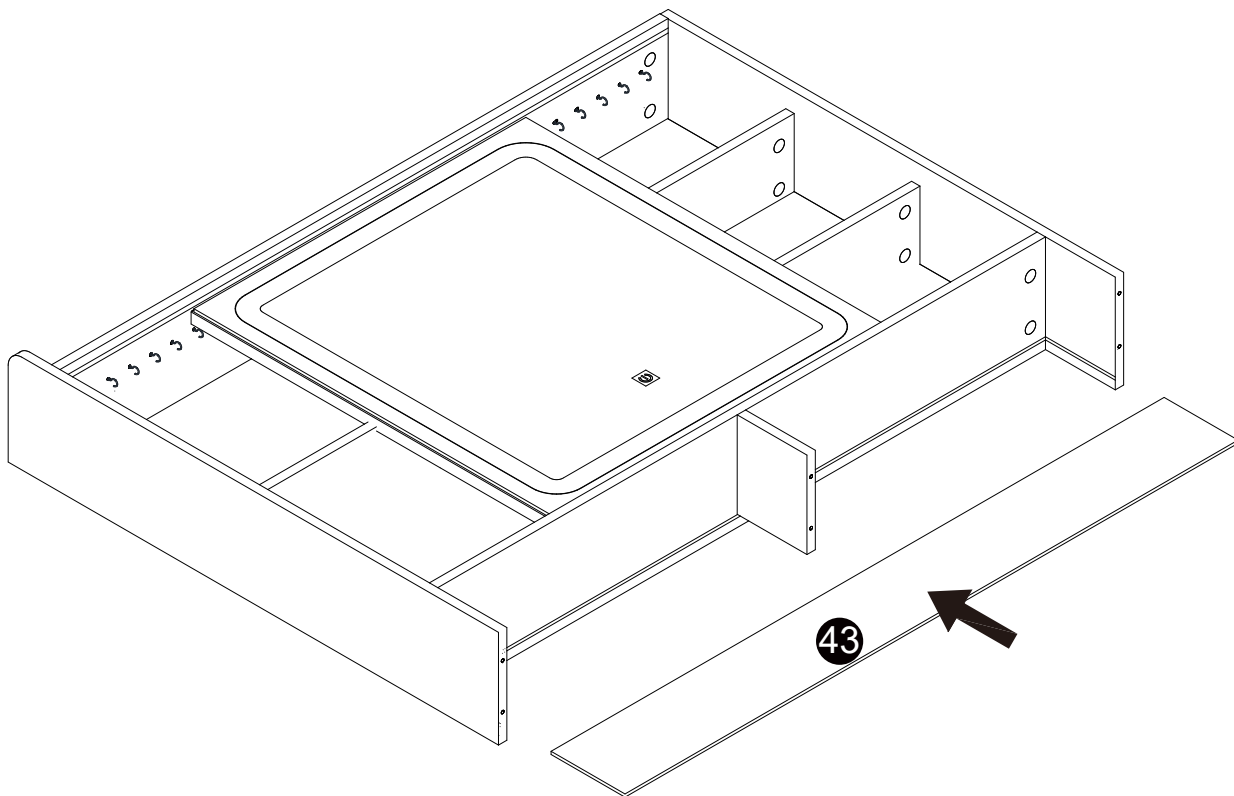
Installation method for switching perspectives



STEP 42

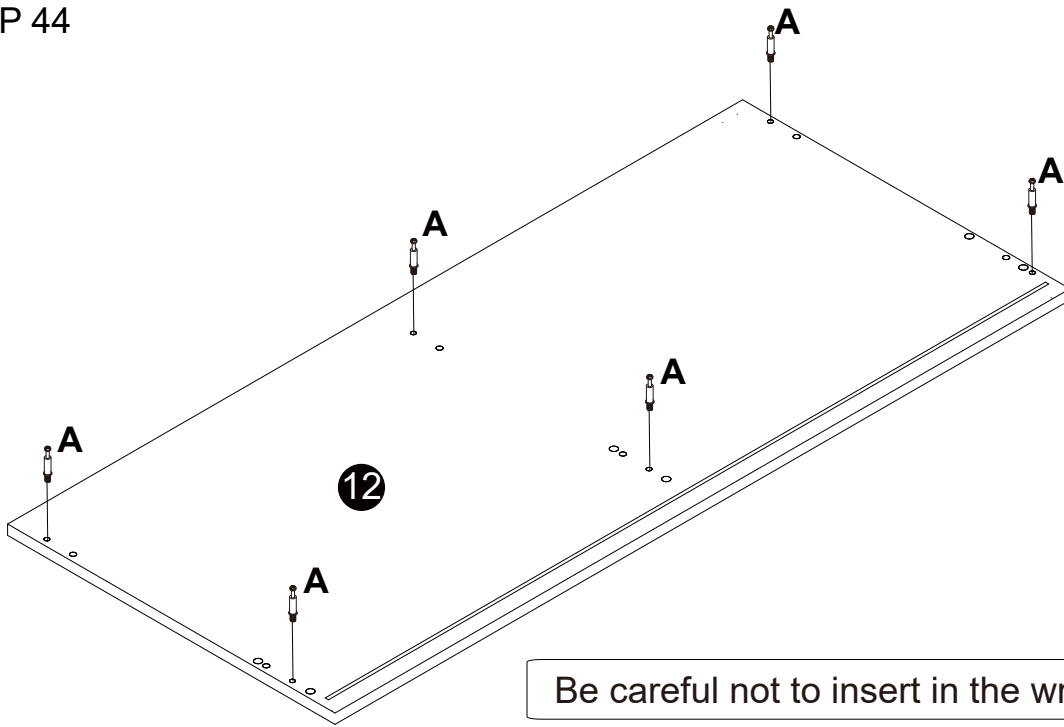
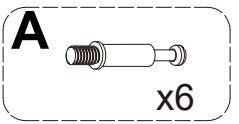


STEP 43



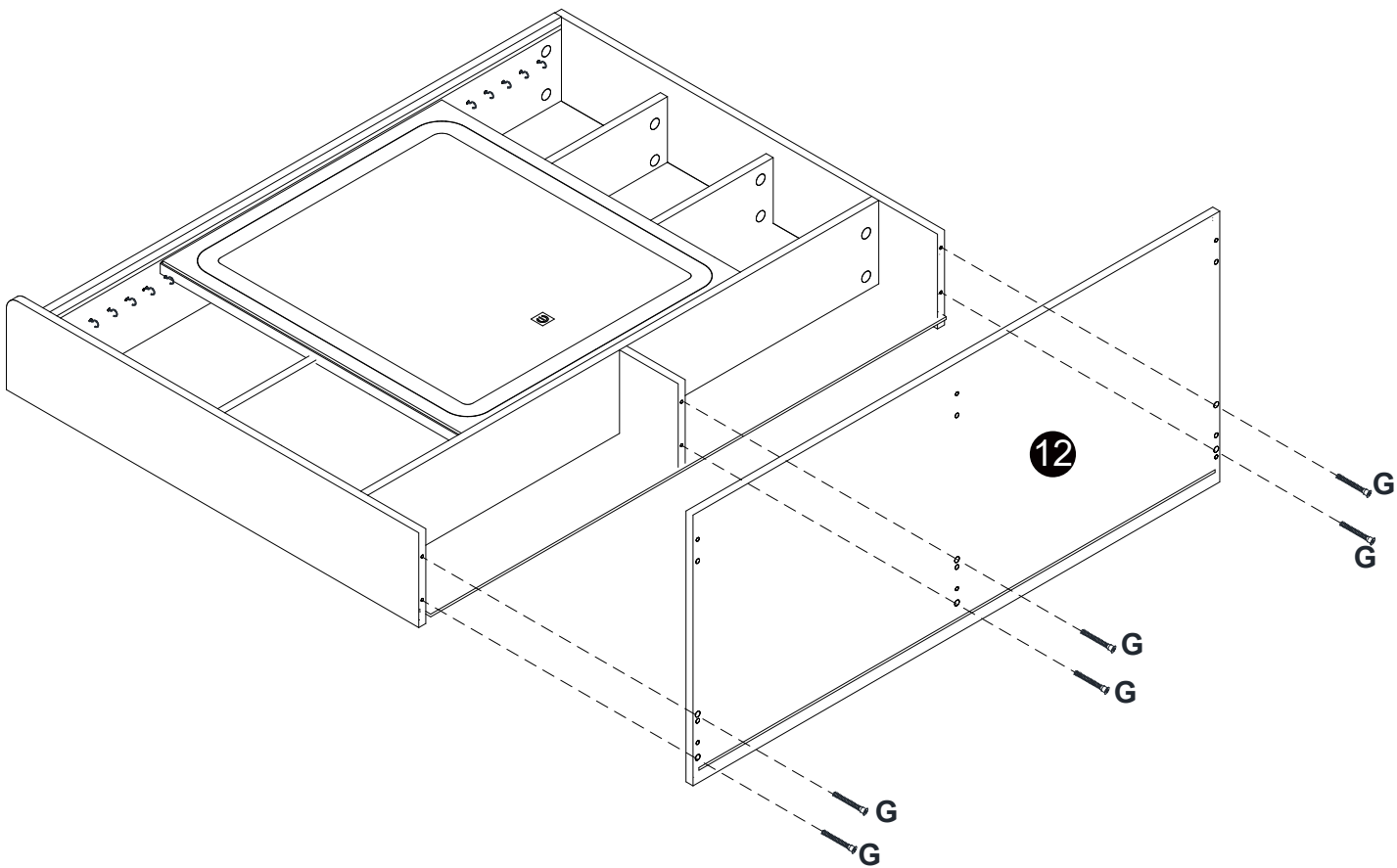
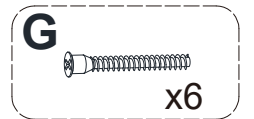
Please pay attention to the slot position

STEP 44



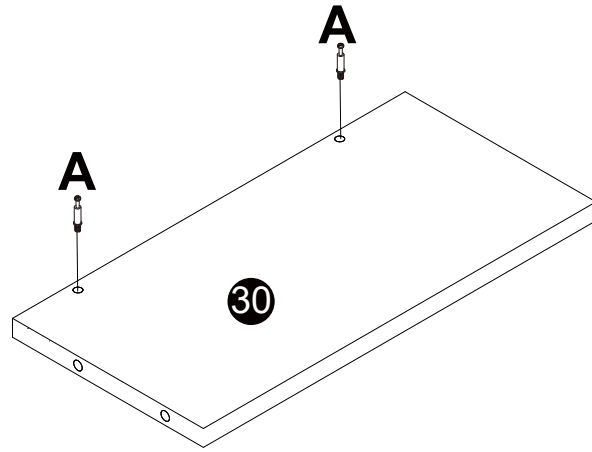
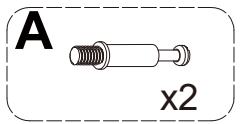
Be careful not to insert in the wrong position

STEP 45

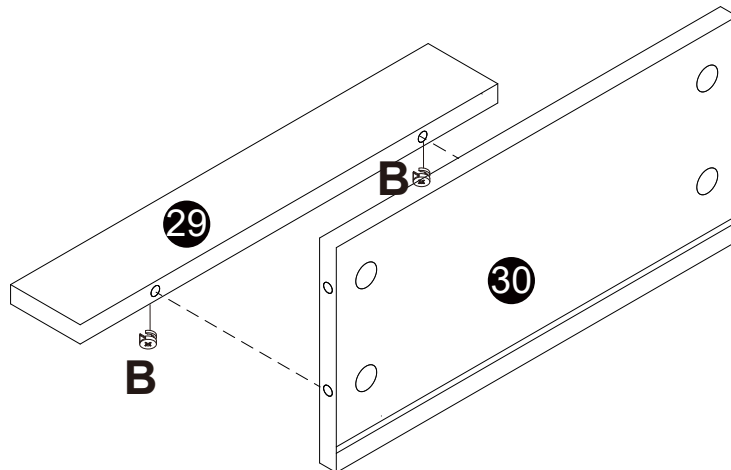


Be careful not to insert in the wrong position

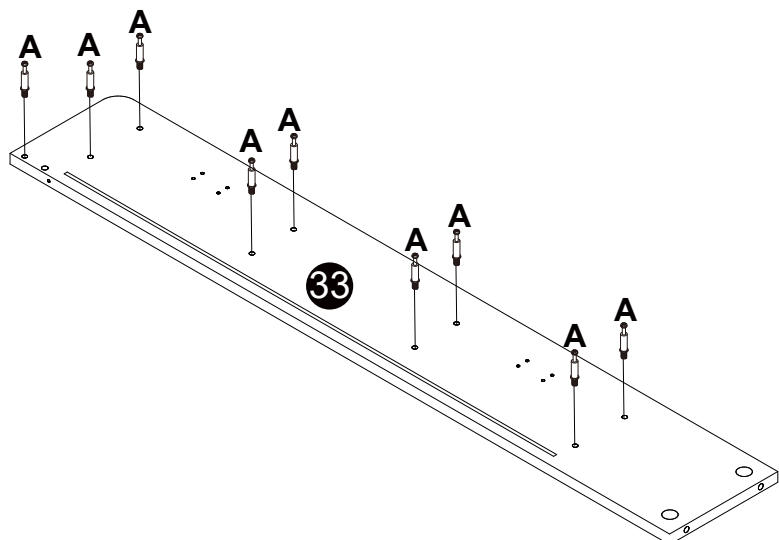
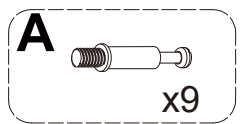
STEP 46



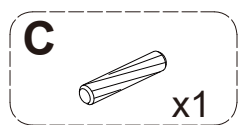
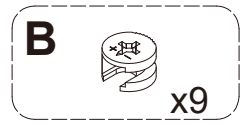
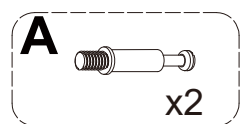
STEP 47



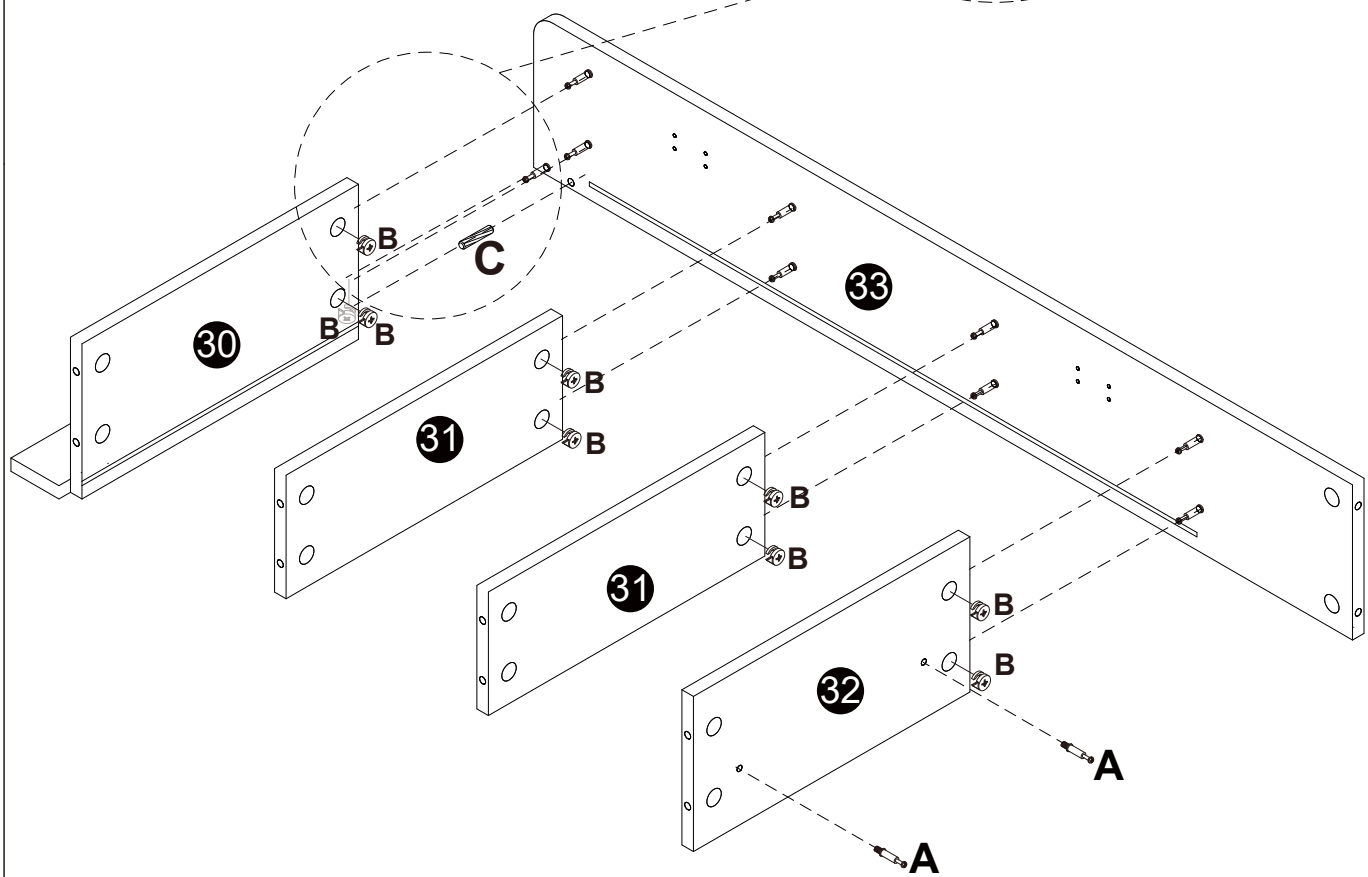
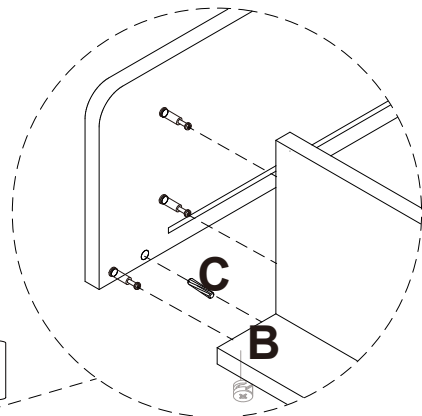
STEP 48



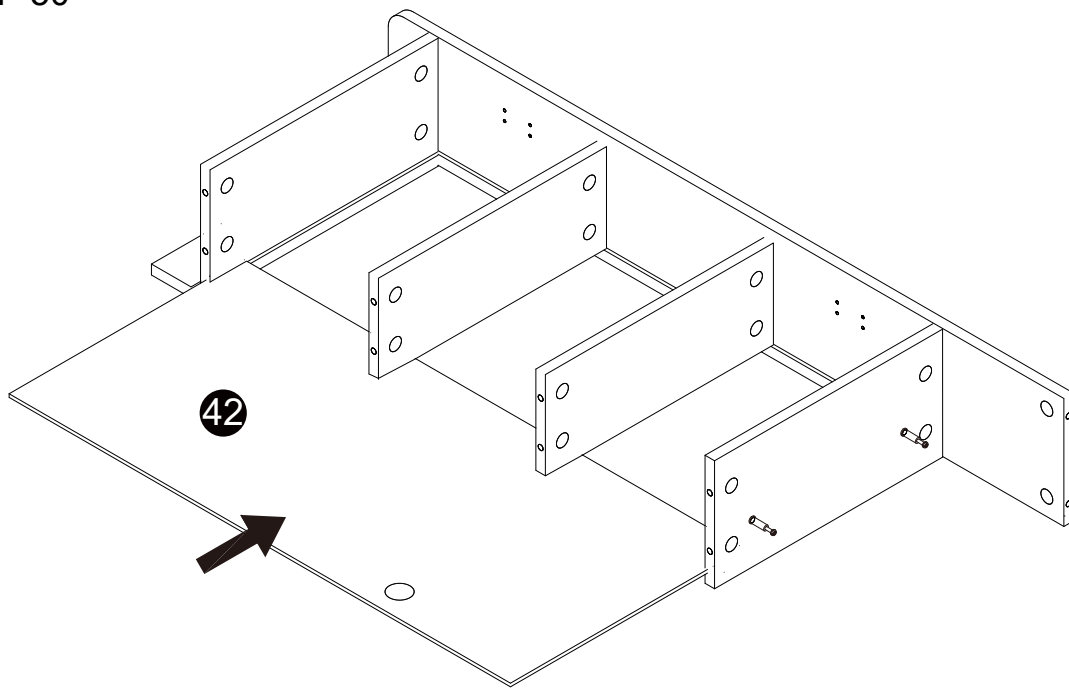
STEP 49



Installation method for switching perspectives

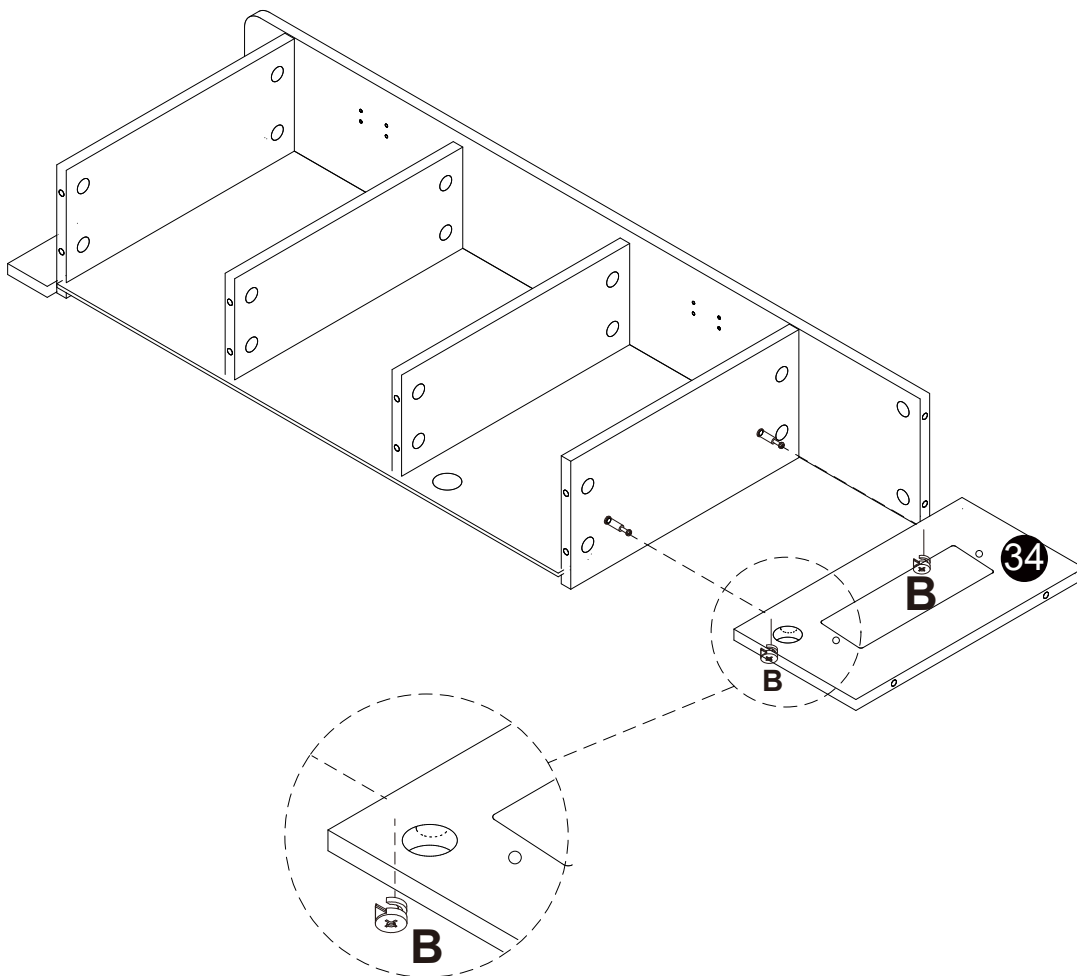


STEP 50



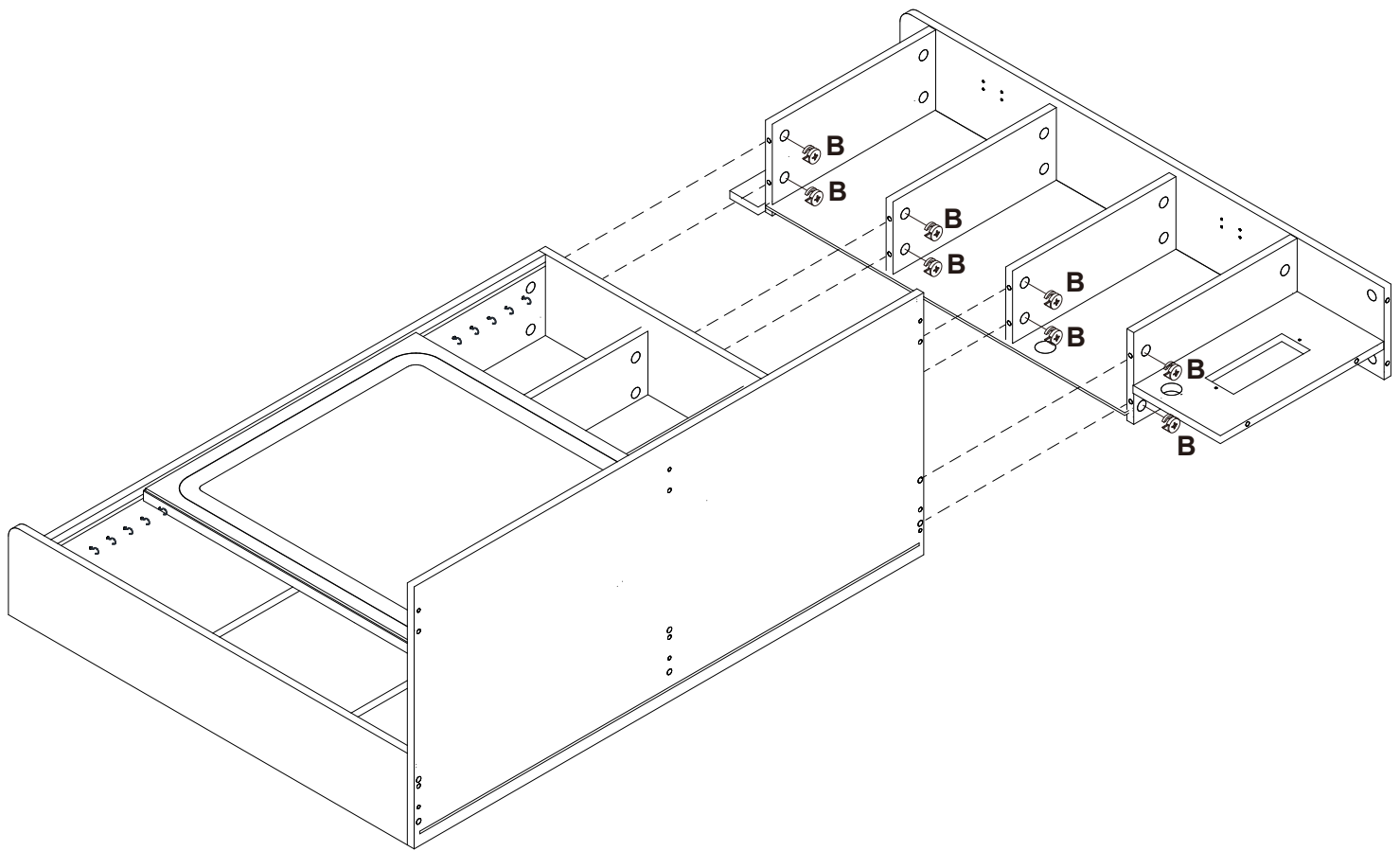
Please pay attention to the slot position

STEP 51

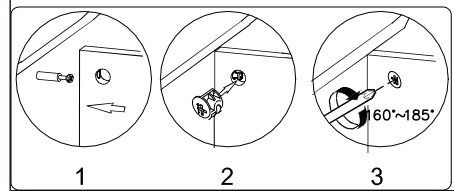


Be careful not to play back

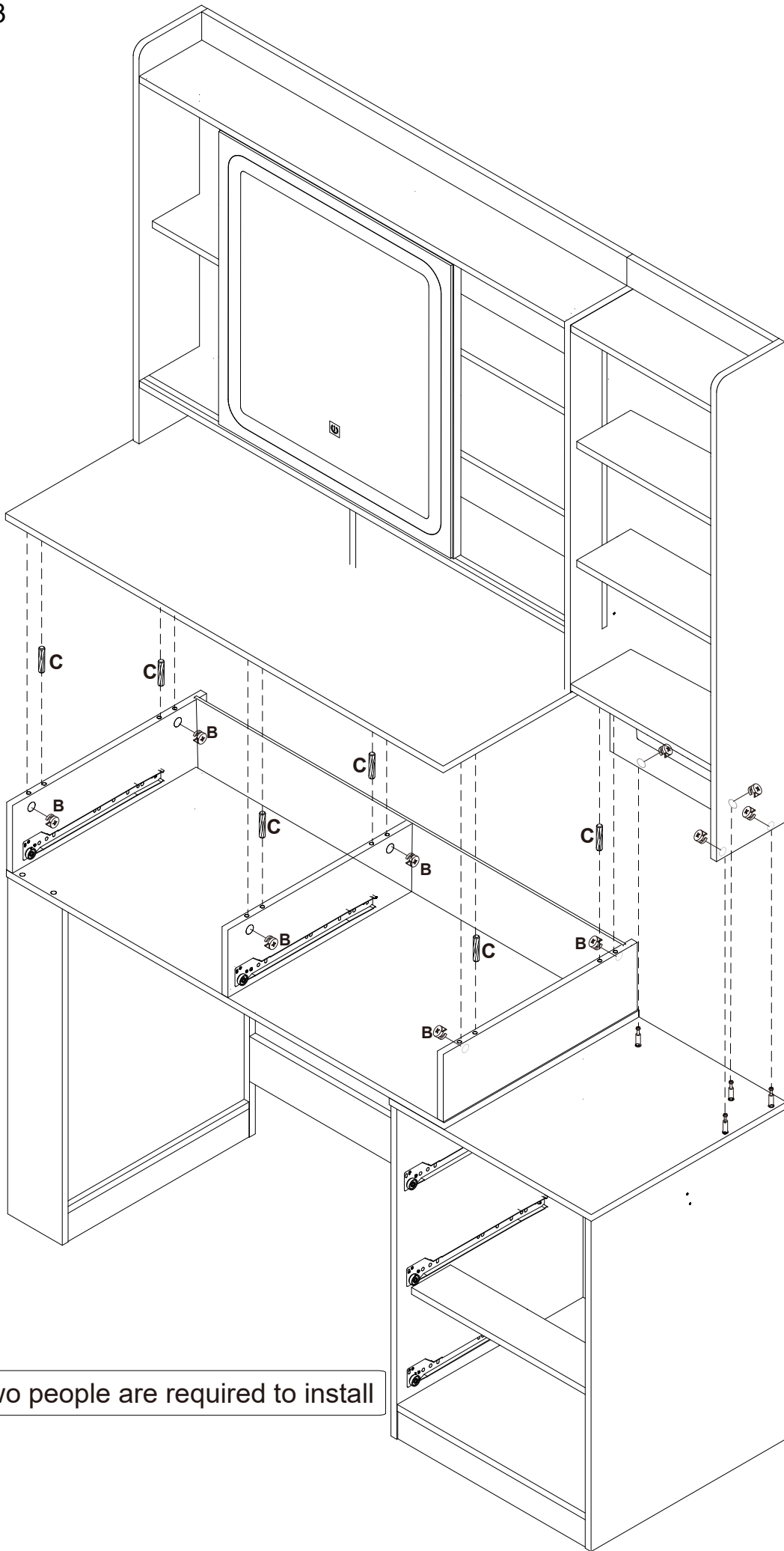
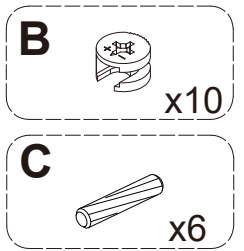
STEP 52




Be careful not to insert in the wrong position

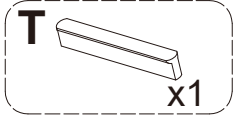
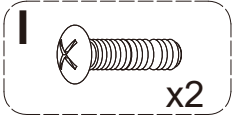
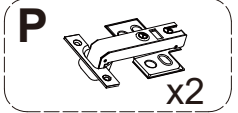
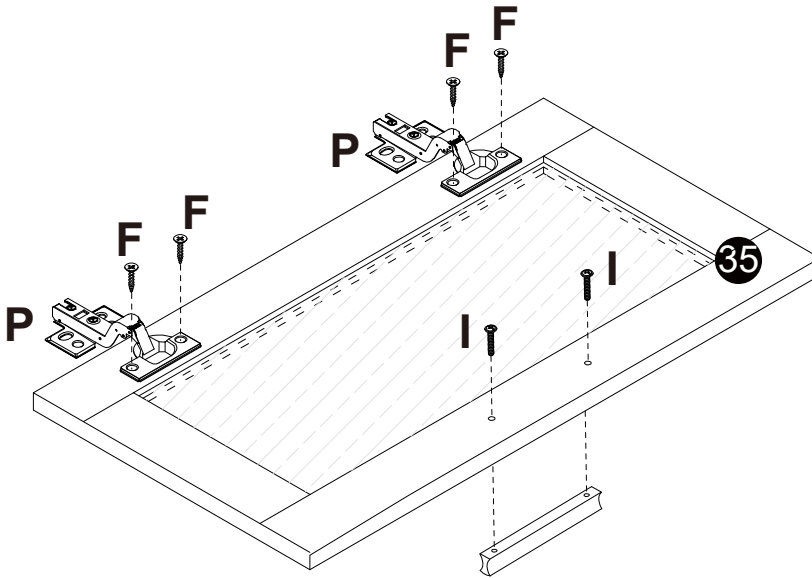


STEP 53

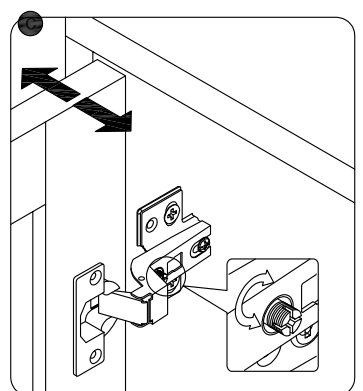
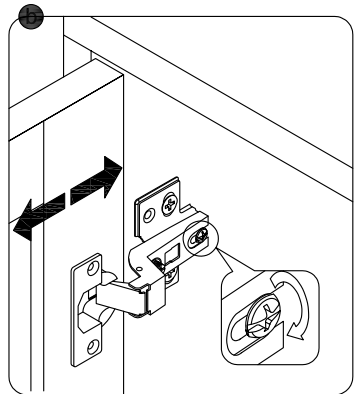
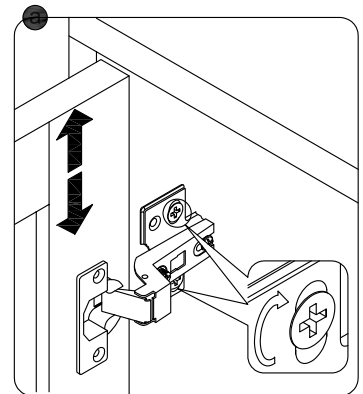
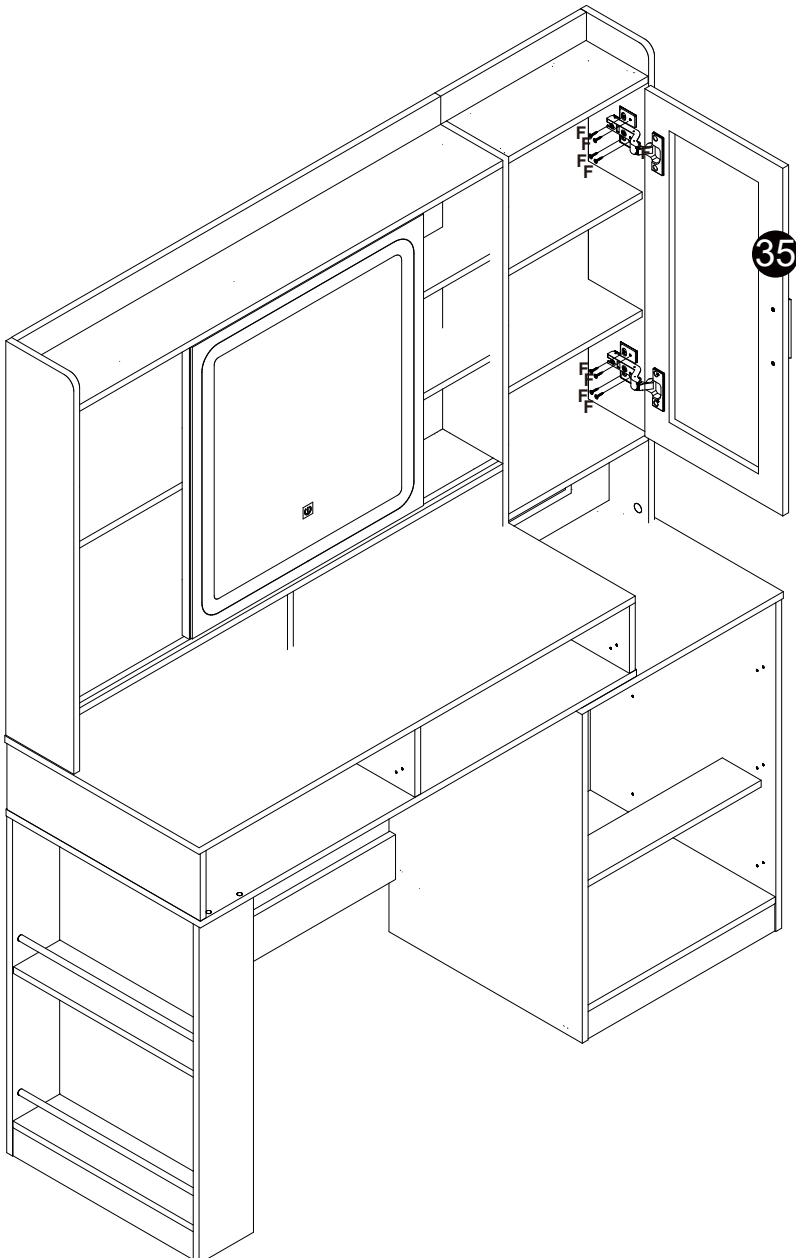


 Two people are required to install

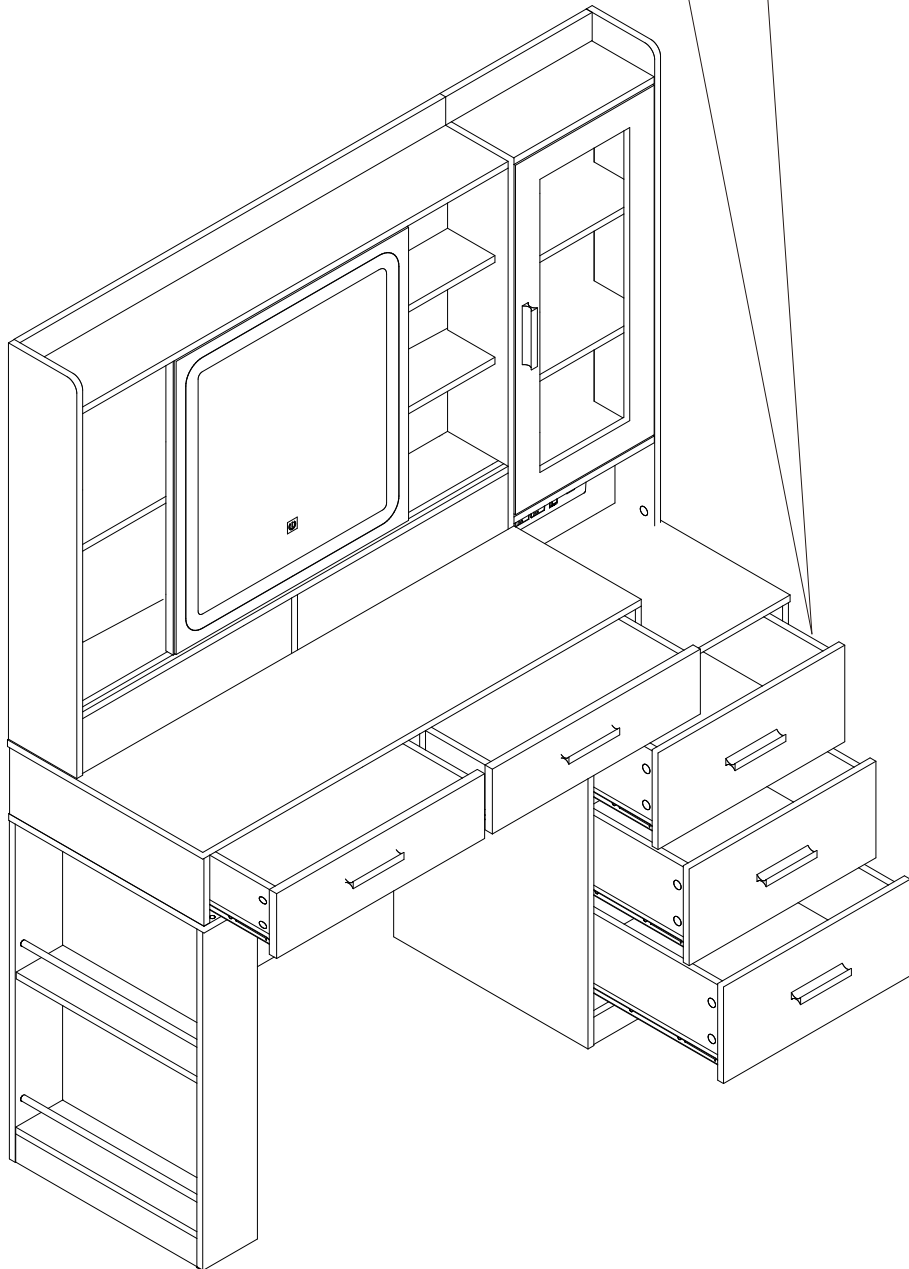
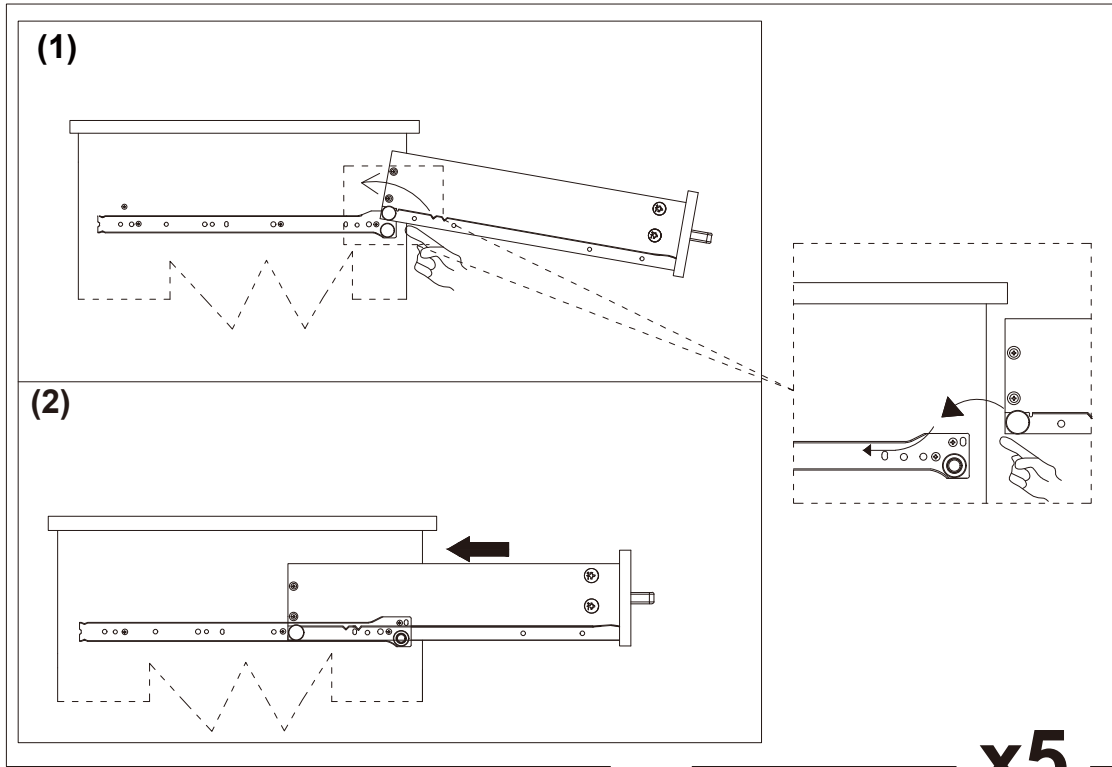
STEP 54



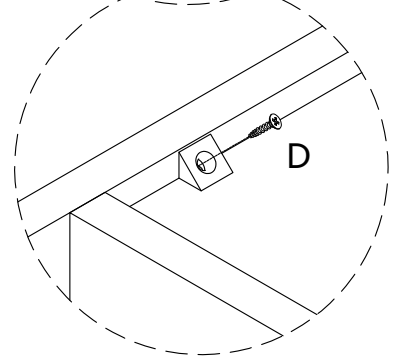
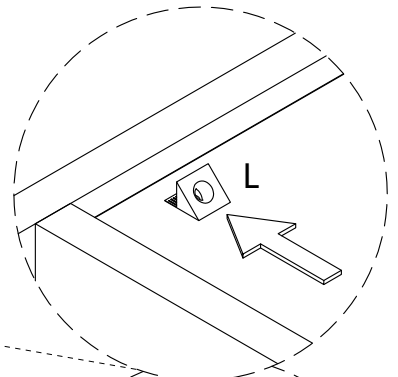
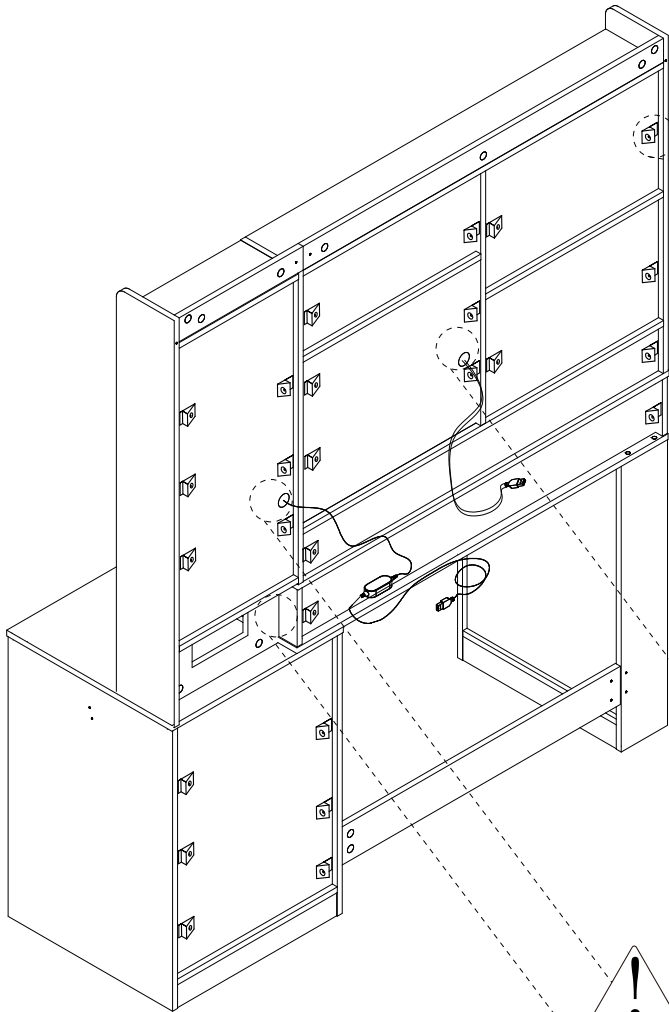
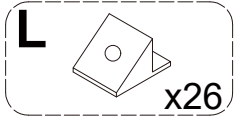
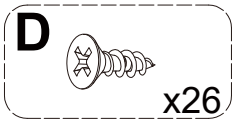
STEP 55



STEP 56



STEP 57



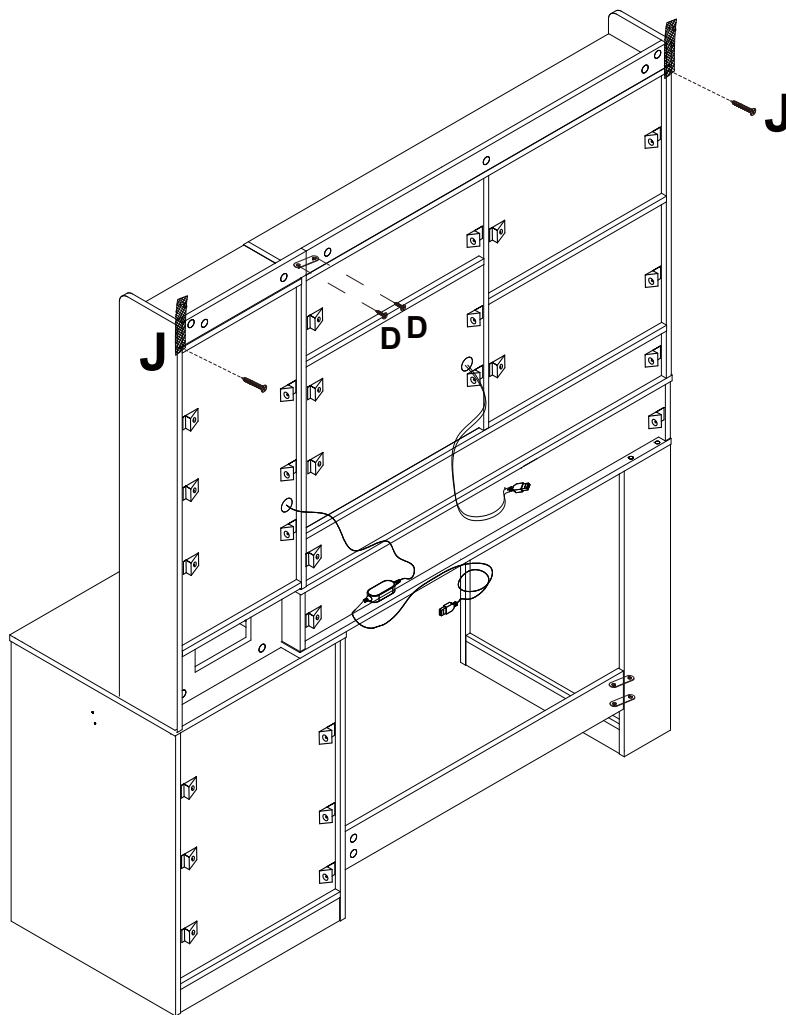
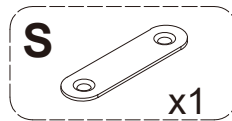
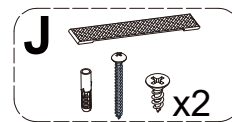
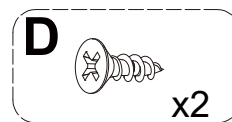
The mirror line comes out from here




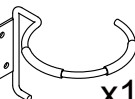


Draw the wire out of the hole.

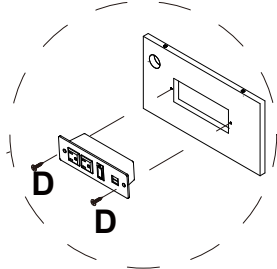
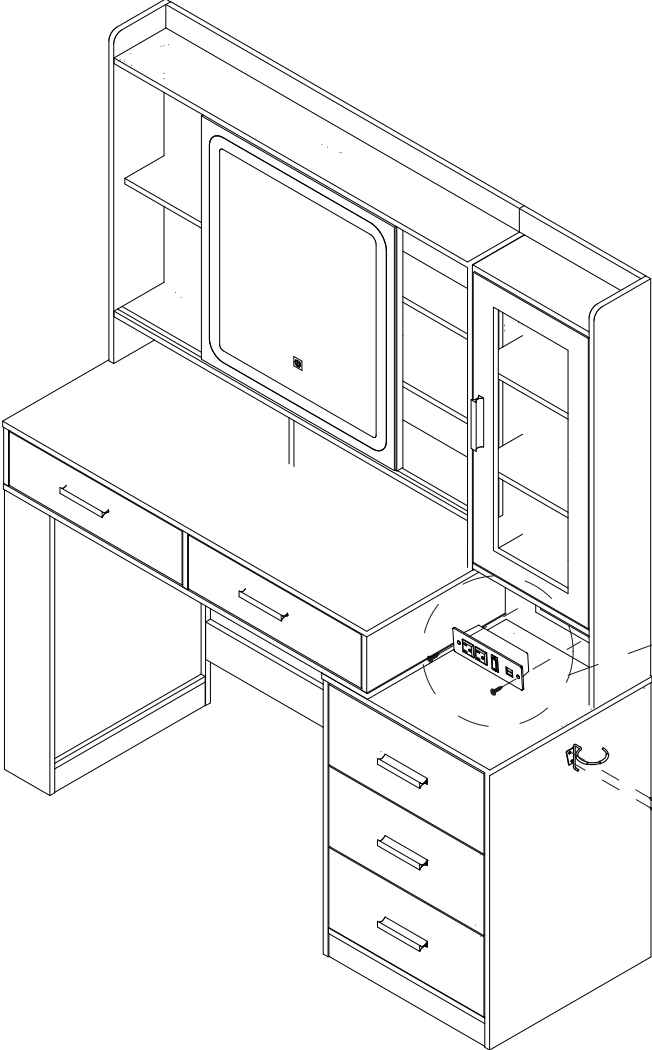
All the threads pass through here

STEP 58



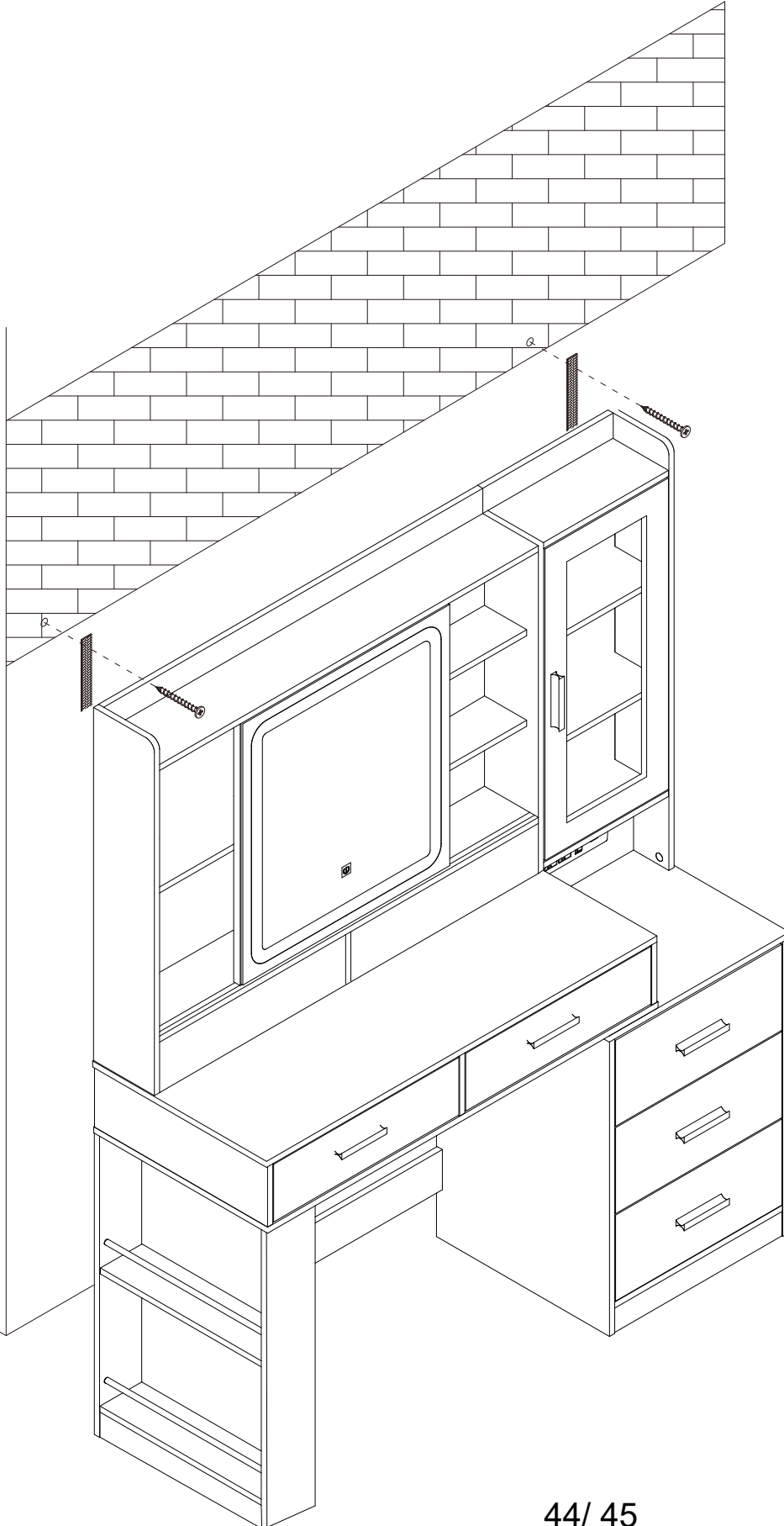
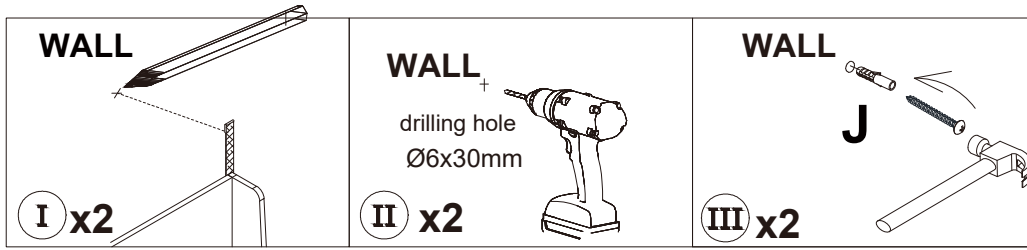
STEP 59

- D**  x2
- N**  x1
- V**  x1
- E**  x2



E

STEP 60



Complete!

