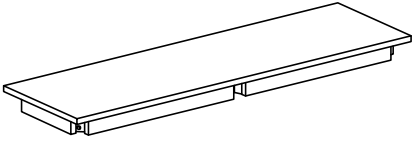
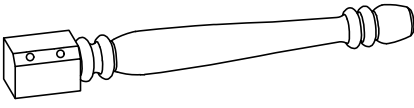
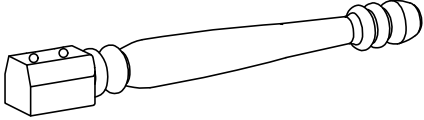
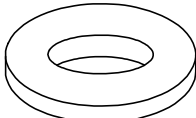
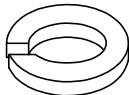
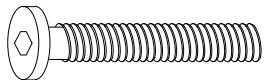
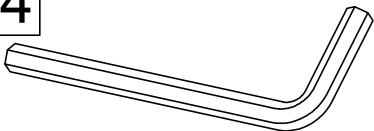


PART LIST

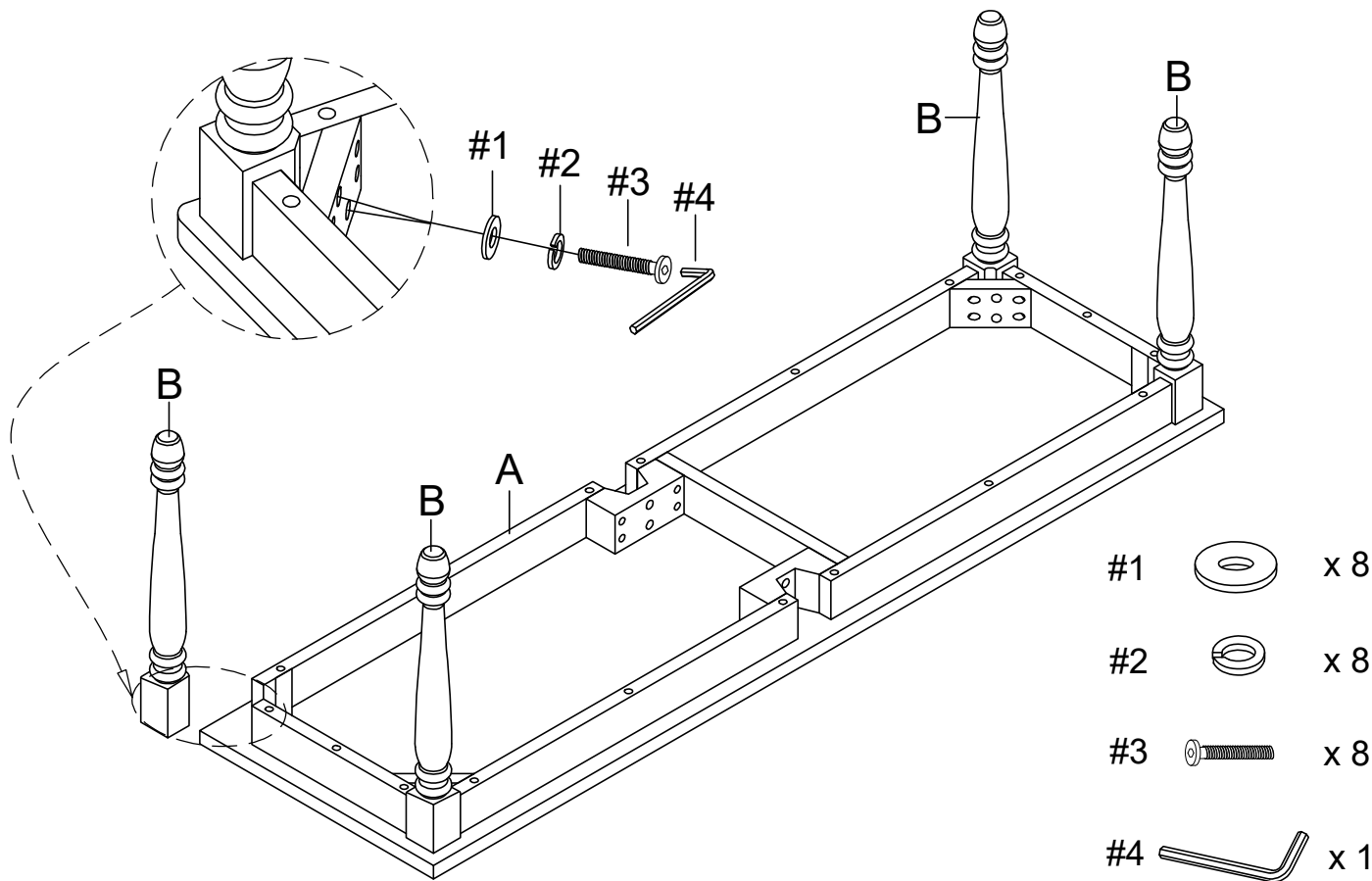
<p>A</p> 	<p>B</p> 	<p>C</p> 
<p>Seat Frame 1 PC</p>	<p>Corner Leg 4 PCS</p>	<p>Center Leg 2 PCS</p>

HARDWARE LIST

<p>#1</p>  <p>1/4"</p>	<p>#2</p>  <p>1/4"</p>	<p>#3</p>  <p>M8 x 60mm</p>
<p>Flat Washer 12 PCS (Extra 2)</p>	<p>Spring Washer 12 PCS (Extra 2)</p>	<p>Bolt 12 PCS (Extra 2)</p>
<p>#4</p>  <p>M5</p> <p>Allen Wrench 1 PC</p>		

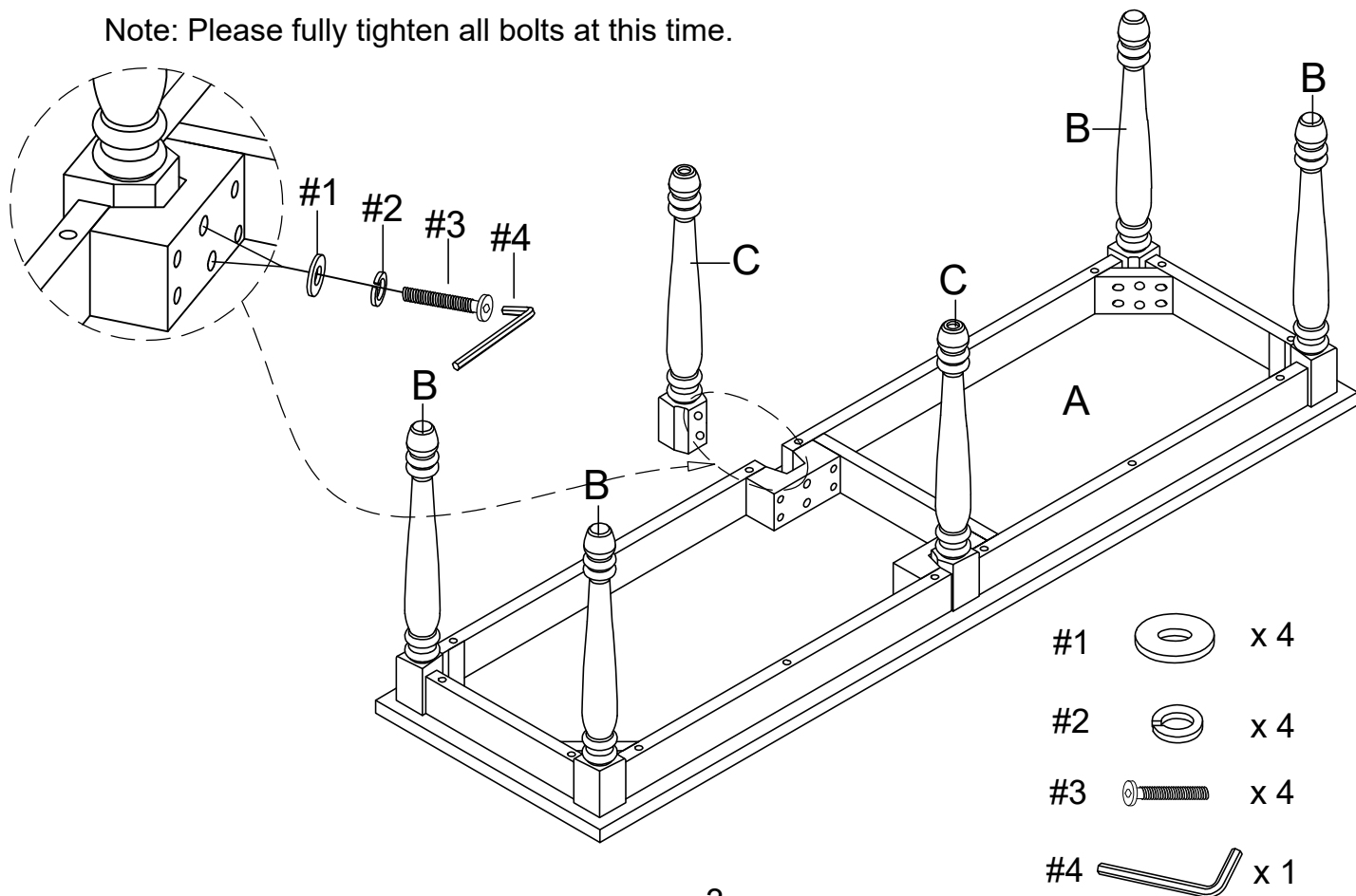
Step 1. Carefully turn seat frame (part A) upside down on a soft flat surface, such as carpet, as shown below. Attach corner legs (part B) to seat frame (part A) using flat washers (part #1), spring washers (part #2), bolts (part #3) and allen wrench (part #4).

Note: Please do not fully tighten bolts until unit is fully assembled.



Step 2. Attach center legs (part C) to seat frame (part A) using flat washers (part #1), spring washers (part #2), bolts (part #3) and allen wrench (part #4).

Note: Please fully tighten all bolts at this time.



Step 3. Carefully turn unit upright, and unscrew adjustable levelers on center legs (part C) until they are firmly seated on the ground.

