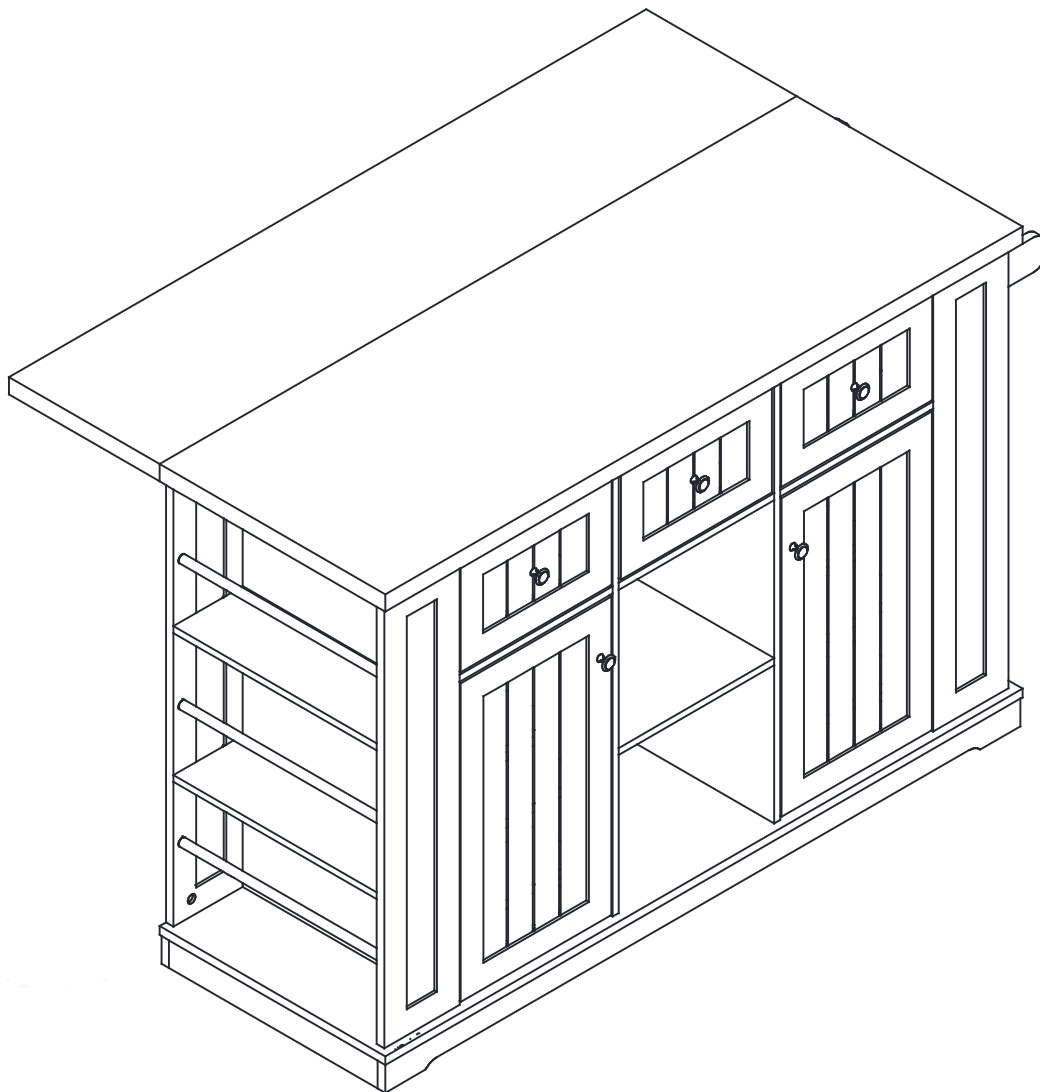


# Kitchen Island Cart

Assembly Instructions - Please keep for future reference



Important – Please read these instructions fully before starting assembly

# Safety and Care Advice

## Important – Please read these instructions fully before starting assembly

- Check you have all the components and tools listed on the following pages.
- Remove all fittings from the plastic bags and separate them into their groups.
- Keep children and animals away from the work area, small parts could choke if swallowed.
- Make sure you have enough space to layout the parts before starting.

- During assembly do not stand or put weight on the product, this could cause damage.
- Assemble the item as close to its final position (in the same room) as possible.
- Assemble on a soft level surface to avoid damaging the unit or your floor.
- Parts of the assembly will be easier with 2 people.



- To reduce the likelihood of damaging your product please ensure that your power drill is set on a low torque setting.

## Care and maintenance

- Only clean using a damp cloth and mild detergent, do not use bleach or abrasive cleaners.
- From time to time check that there are no loose screws on this unit.
- This product should not be discarded with household waste. Take to your local authority waste disposal centre.

## Handy Hints

- Assemble all parts and bolts loosely during assembly, only once the product is complete should you fully tighten the bolts
- Regularly check and ensure That all bolts and fittings are tightened properly.

## **WARNING** In order to help prevent overturning – please follow these instructions

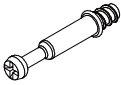


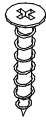

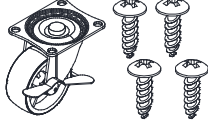


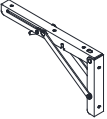

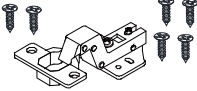

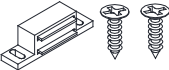

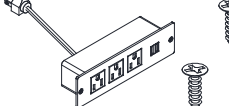
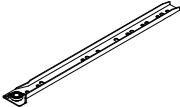
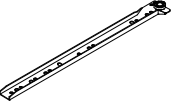
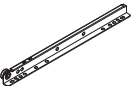

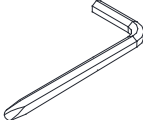
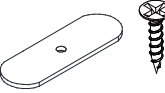





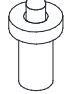
To help prevent product toppling over please follow the below steps:-

- Use the anti tip stop or wall fixing method provided (if applicable)
- Do not allow children to climb or hang on the furniture
- Do not open more than one drawer at a time
- Do not place heavy items in the top drawers
- Do not place heavy items on top of the furniture, unless the furniture has been designed for this purpose

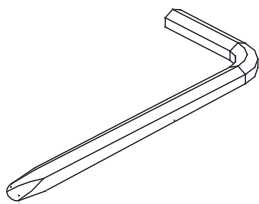
# Components - Fittings

Please check you have all the panels listed below

Note: The quantities below are the correct amount to complete the assembly. In some cases, more fittings may be supplied than required.

<p>(A)  Cam Bolt x 98</p>	<p>(B)  6*30mm Dowel x 72</p>	<p>(C)  Cam lock x 98</p>	<p>(D)  4*25mm Screw x 32</p>
<p>(E)  nut x 2</p>	<p>(F)  4*12mm Locking caster x2</p>	<p>(G)  6*30mm Screw x 2</p>	<p>(H)  3.5*12mm Screw x 26</p>
<p>(I)  Connecting rods x2</p>	<p>(J)  Shelf support pin x 13</p>	<p>(K)  3.5*14mm Straight bend hinge x 4set</p>	<p>(L)  4*20mm Handle x 2SET</p>
<p>(M)  3*16mm Door stopper x 2SET</p>	<p>(N)  4*12mm Handle x 3SET</p>	<p>(O)  3.5*12mm socket x 1</p>	<p>(CL)  300mm runner x 3</p>
<p>(CR)  300mm runner x 3</p>	<p>(DR)  300mm runner x 3</p>	<p>(DL)  300mm runner x 3</p>	<p>(P)  Allen key x 1</p>
<p>(Q)  3*12mm Magnetic sheet x 2SET</p>	<p>(R)  4*12mm Caster x3</p>	<p>(S)  6*25mm Screw x4</p>	<p>(T)  m6 nut x 4</p>
<p>(U)  6mm gasket x8</p>	<p>(V)  3.5*14mm Screw x4</p>	<p>(W)  Iron pipe spring x 4</p>	

## Tools required

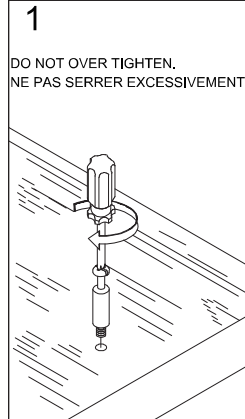


Phillips screwdriver  
(medium & large)

# Using Camlocks

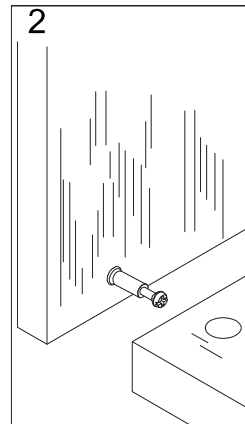
## Step 1

Connect the male camlock as directed in the assembly instructions using a screwdriver.



## Step 2

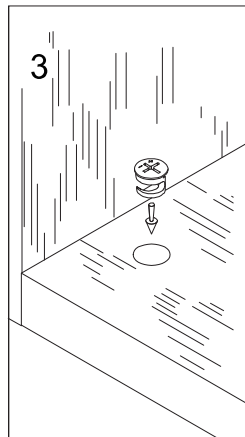
Push the male camlock into the entry hole.



## Step 3

Insert the female camlock as shown in the instruction.

Note: ensure that the arrow on the top of the camlock points towards the entry hole for the male camlock.

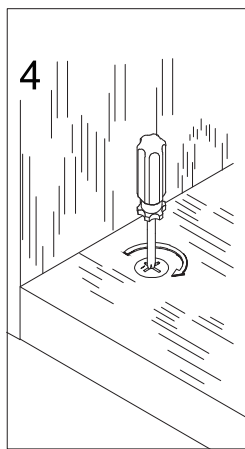


## Step 4

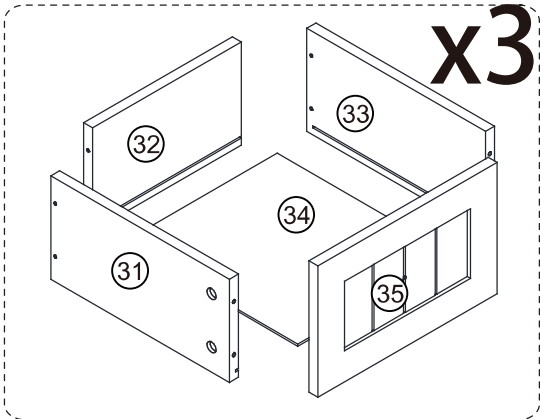
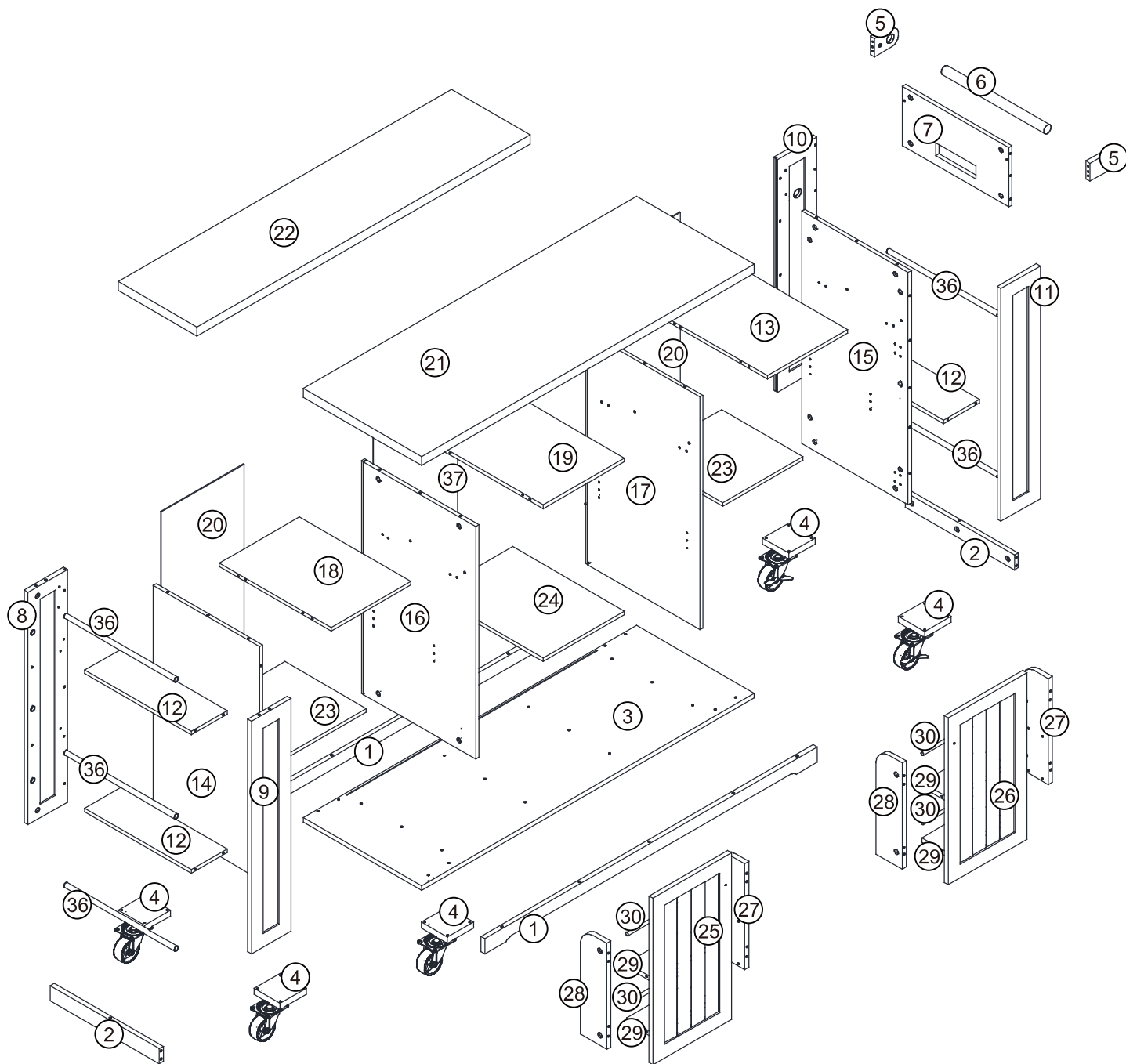
Turn the female camlock clockwise with a screwdriver.

You should feel a click when the camlock is locked in place.

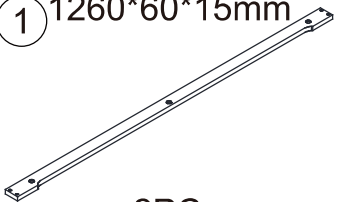
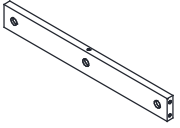
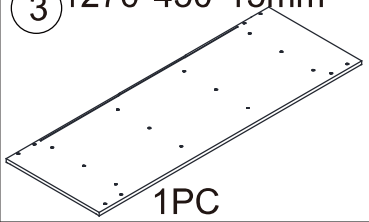
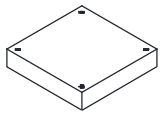
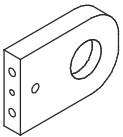
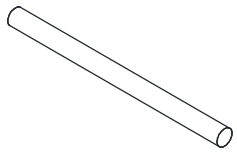
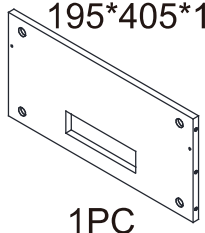
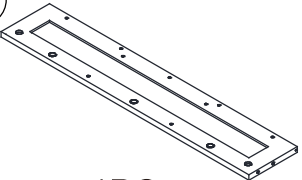
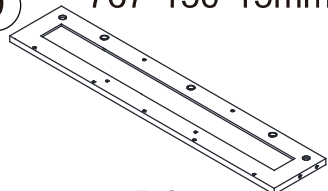
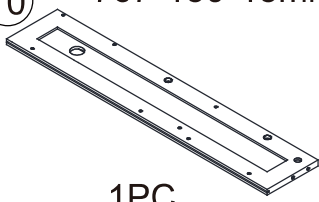
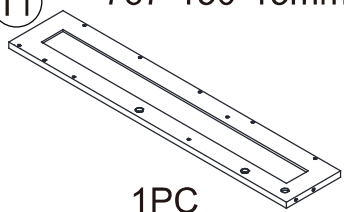
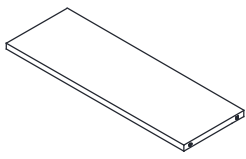
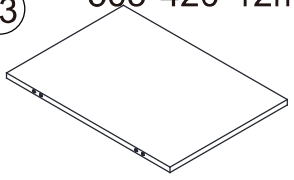
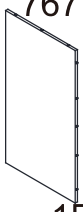
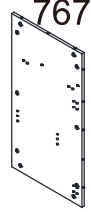

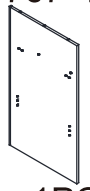
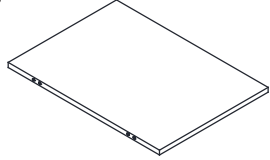
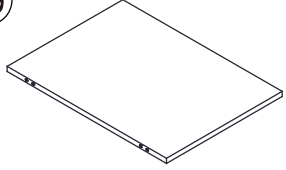

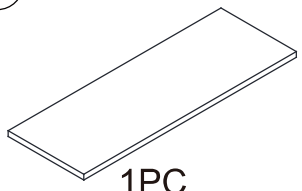
The joint is now secure.



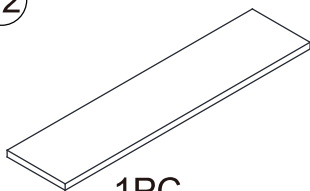
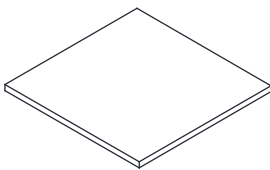
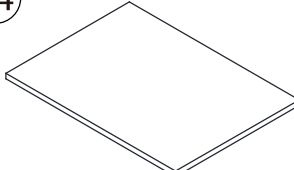

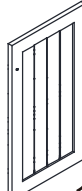
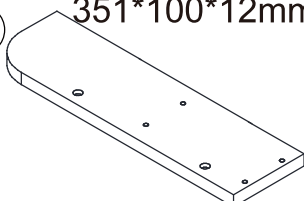
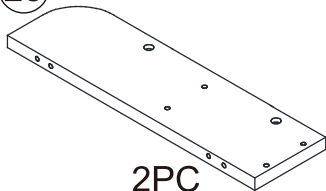
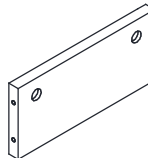
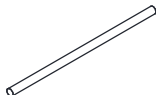
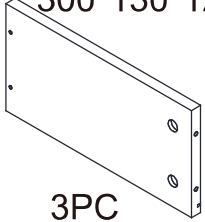
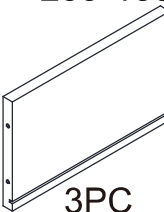
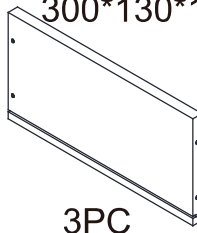
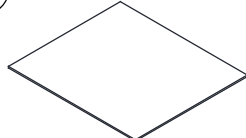
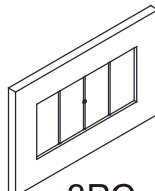
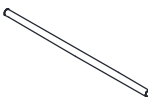

# Assembly Instructions



# Assembly Instructions

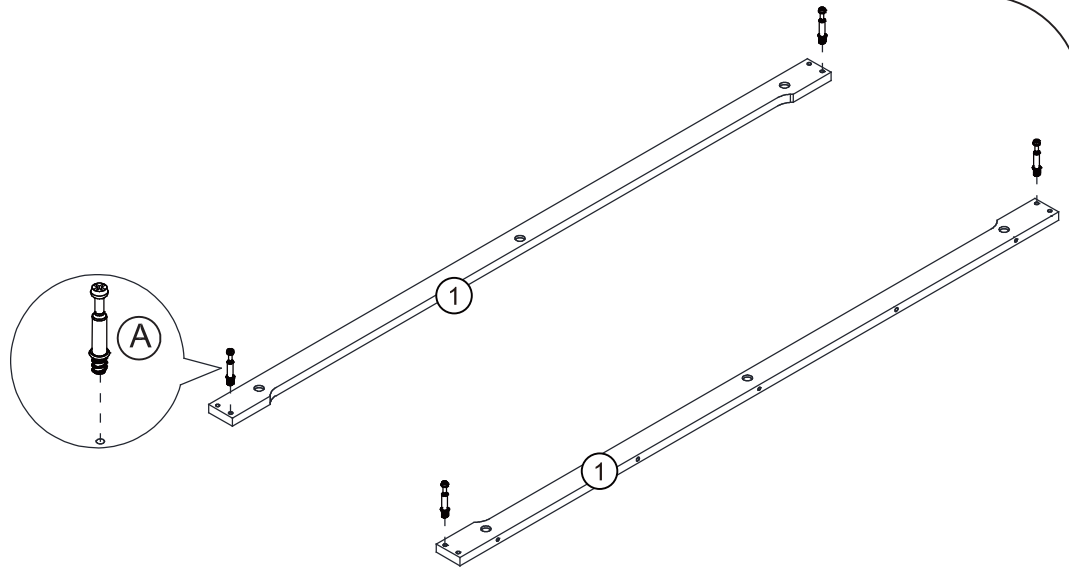
<p>① 1260*60*15mm</p>  <p>2PC</p>	<p>② 410*60*15mm</p>  <p>2PC</p>	<p>③ 1270*450*15mm</p>  <p>1PC</p>
<p>④ 100*100*20mm</p>  <p>5PC</p>	<p>⑤ 90*60*15mm</p>  <p>2PC</p>	<p>⑥ 24*372mm</p>  <p>1PC</p>
<p>⑦ 195*405*12mm</p>  <p>1PC</p>	<p>⑧ 767*150*15mm</p>  <p>1PC</p>	<p>⑨ 767*150*15mm</p>  <p>1PC</p>
<p>⑩ 767*150*15mm</p>  <p>1PC</p>	<p>⑪ 767*150*15mm</p>  <p>1PC</p>	<p>⑫ 405*135*15mm</p>  <p>3PC</p>
<p>⑬ 305*420*12mm</p>  <p>1PC</p>	<p>⑭ 767*405*12mm</p>  <p>1PC</p>	<p>⑮ 767*405*12mm</p>  <p>1PC</p>
<p>⑯ 767*435*12mm</p>  <p>1PC</p>	<p>⑰ 767*435*12mm</p>  <p>1PC</p>	<p>⑱ 305*420*12mm</p>  <p>1PC</p>
<p>⑲ 305*420*12mm</p>  <p>1PC</p>	<p>⑳ 780*303*3mm</p>  <p>2PC</p>	<p>㉑ 1270*450*25mm</p>  <p>1PC</p>

# Assembly Instructions

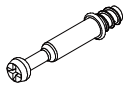
<p>②② 1270*300*25mm</p>  <p>1PC</p>	<p>②③ 299*303*12mm</p>  <p>2PC</p>	<p>②④ 420*303*12mm</p>  <p>1PC</p>
<p>②⑤ 553*299*15mm</p>  <p>1PC</p>	<p>②⑥ 553*299*15mm</p>  <p>1PC</p>	<p>②⑦ 351*100*12mm</p>  <p>2PC</p>
<p>②⑧ 351*100*12mm</p>  <p>2PC</p>	<p>②⑨ 220*100*12mm</p>  <p>4PC</p>	<p>③⑩ 10*232mm</p>  <p>4PC</p>
<p>③① 300*130*12mm</p>  <p>3PC</p>	<p>③② 255*130*12mm</p>  <p>3PC</p>	<p>③③ 300*130*12mm</p>  <p>3PC</p>
<p>③④ 298*265*3mm</p>  <p>3PC</p>	<p>③⑤ 300*195*15mm</p>  <p>3PC</p>	<p>③⑥ 15*413mm</p>  <p>5PC</p>
<p>③⑦ 780*313*3mm</p>  <p>1PC</p>		

# Assembly Instructions

## Step 1

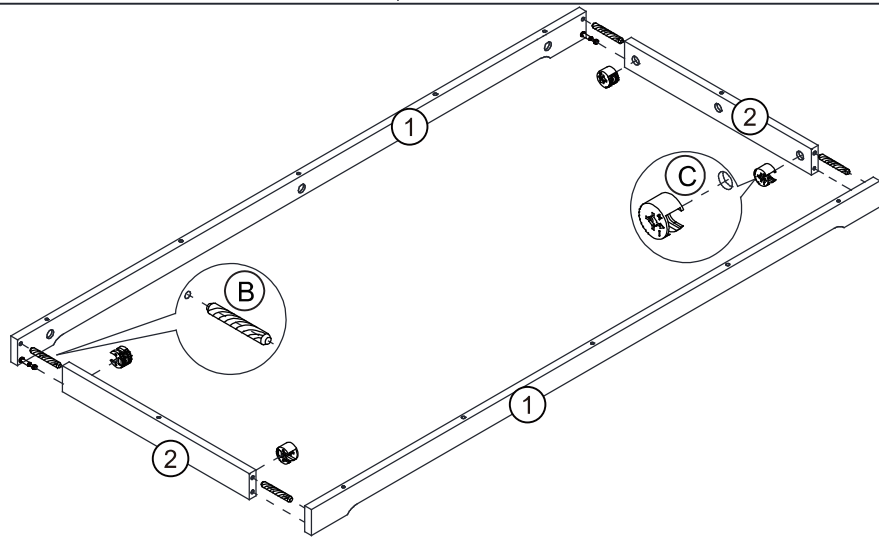


(A)



Cam Bolt x4

## Step 2

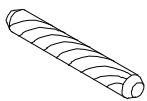


(C)



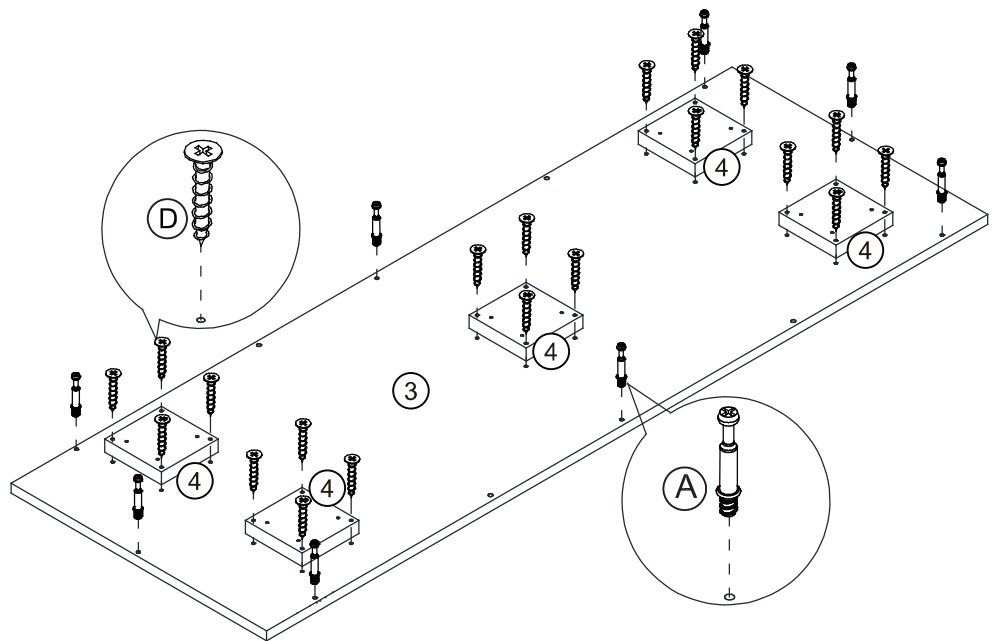
Cam lock x 4

(B)

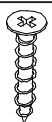


6\*30mm Dowel x 4

## Step 3

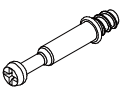


(D)



4\*25mm Screw x 20

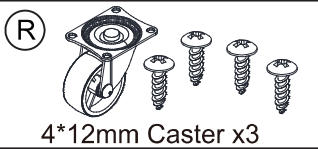
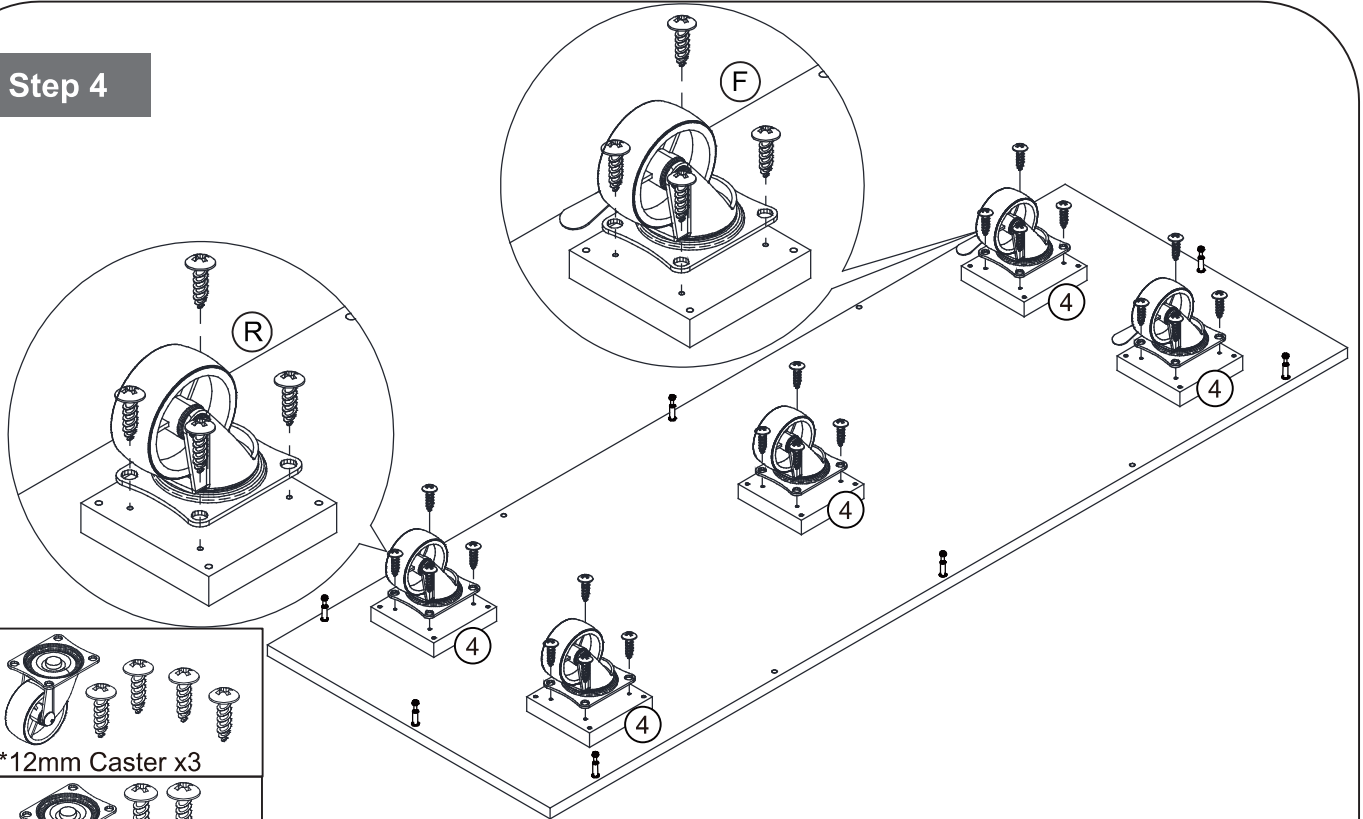
(A)



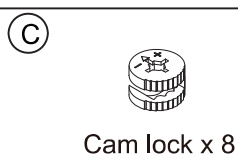
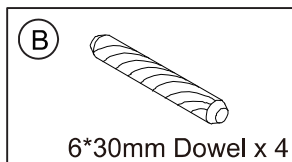
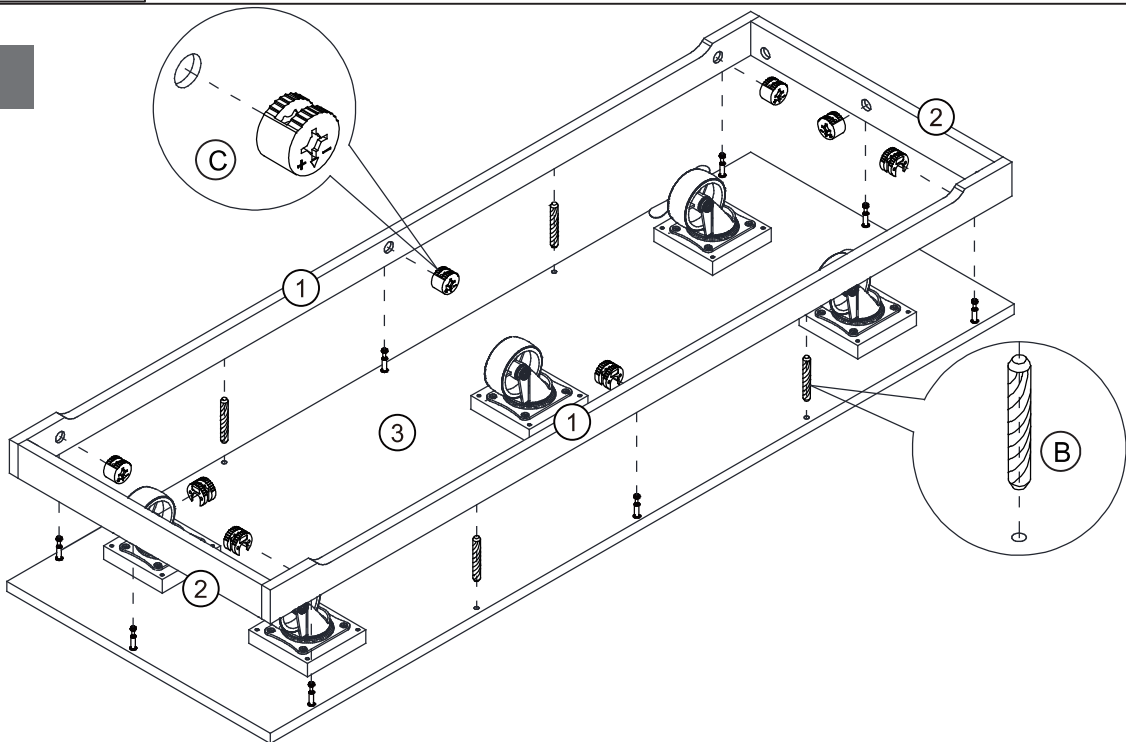
Cam Bolt x8

# Assembly Instructions

## Step 4

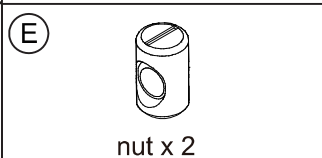
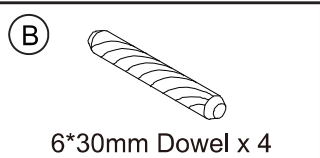
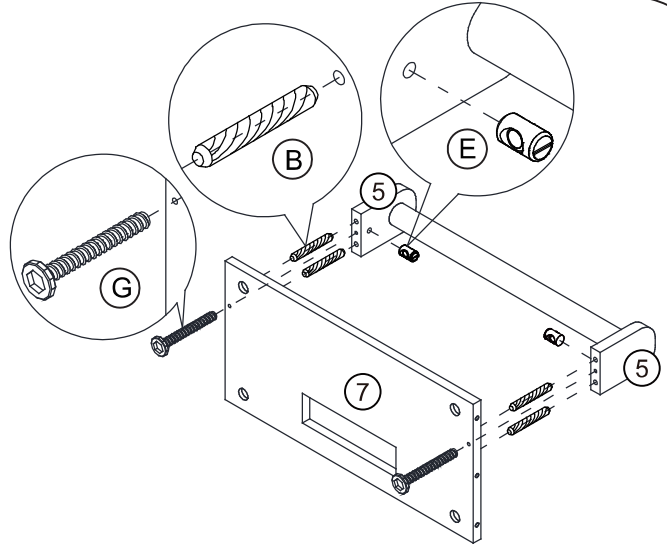
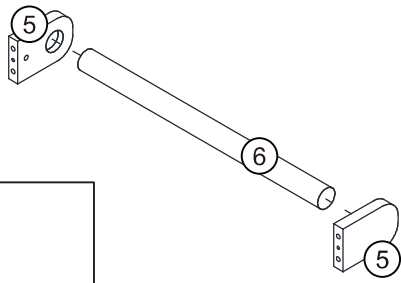


## Step 5

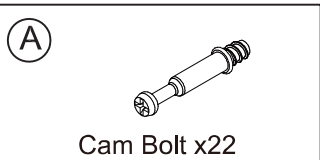
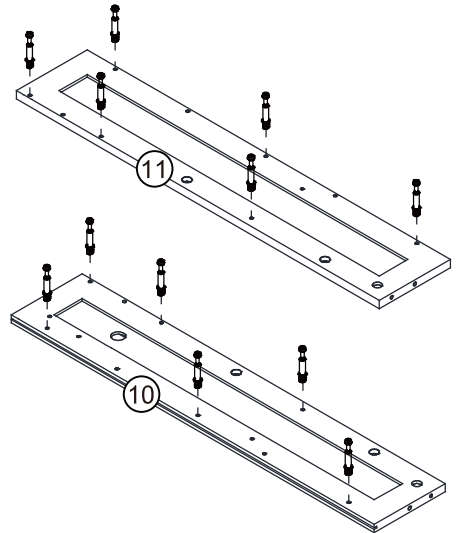
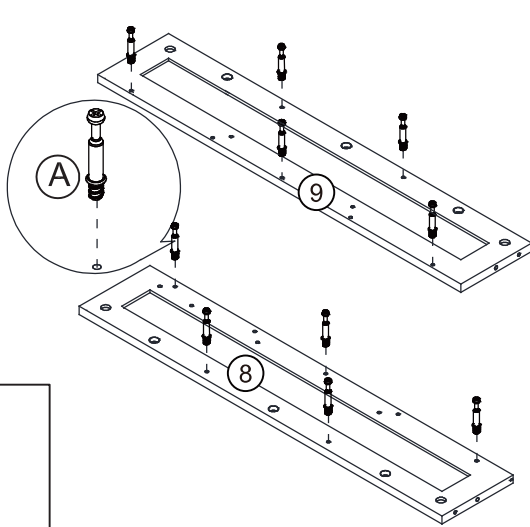


# Assembly Instructions

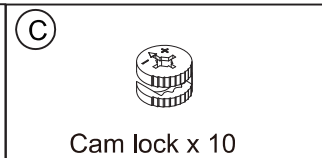
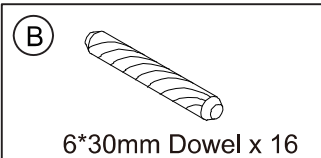
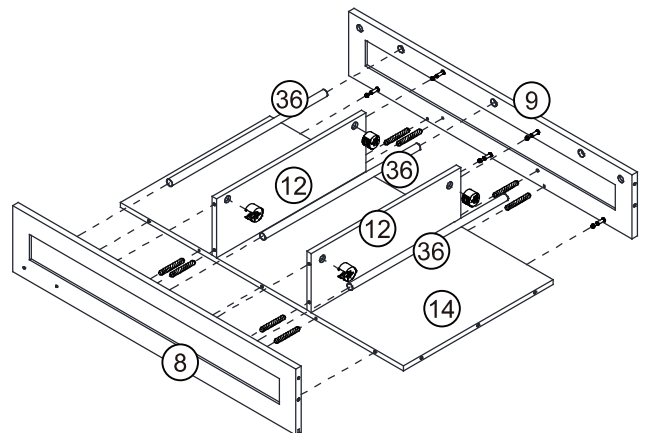
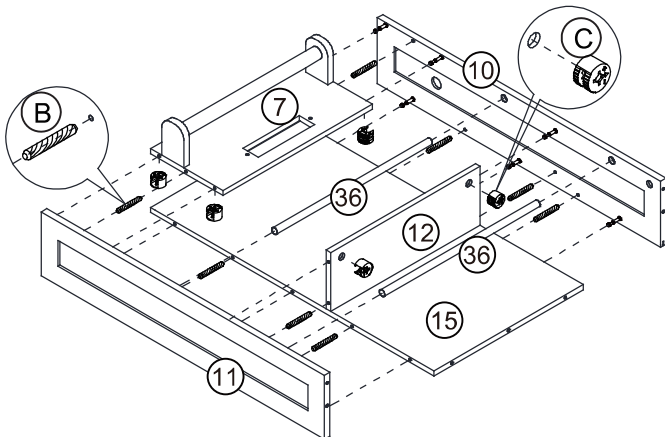
## Step 6



## Step 7

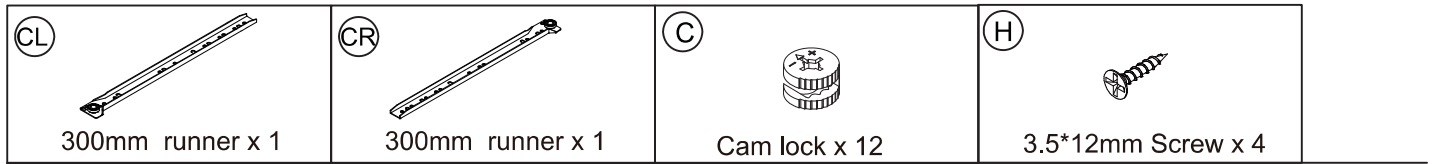
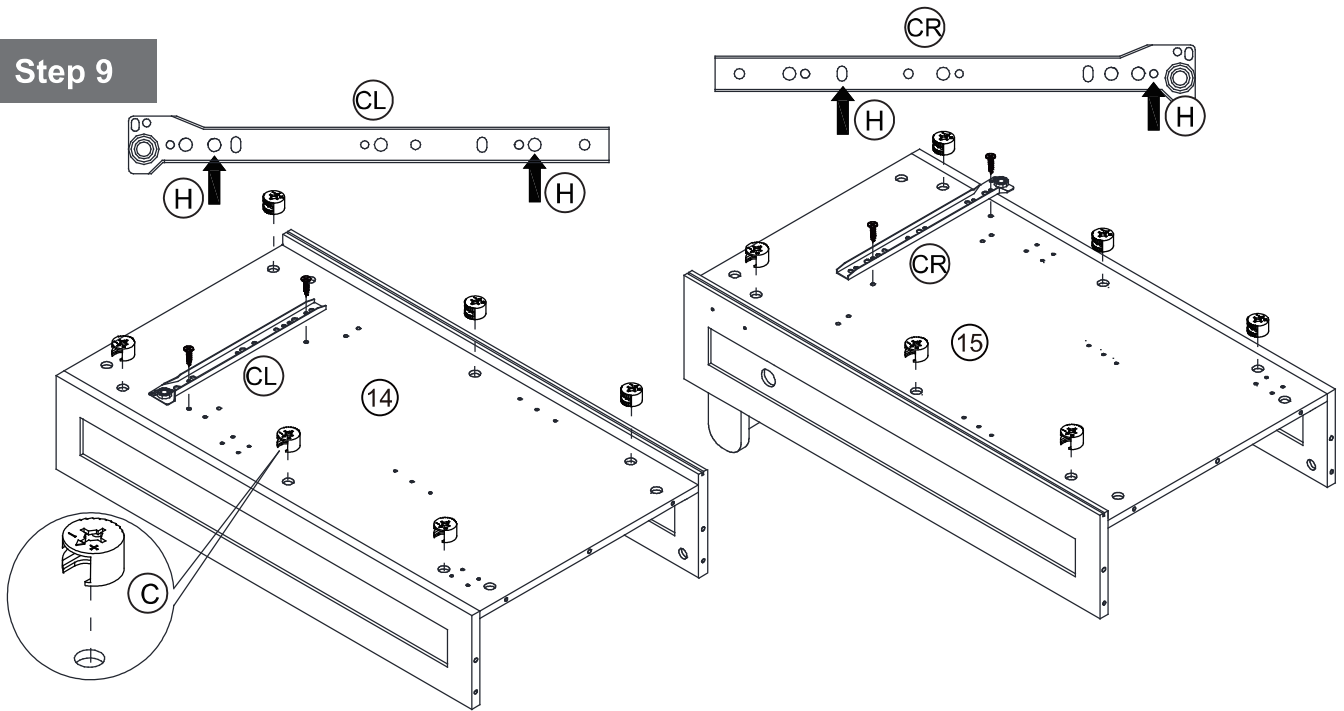


## Step 8

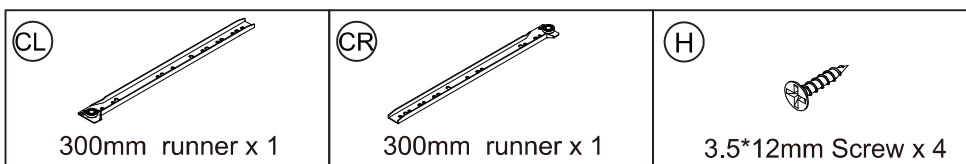
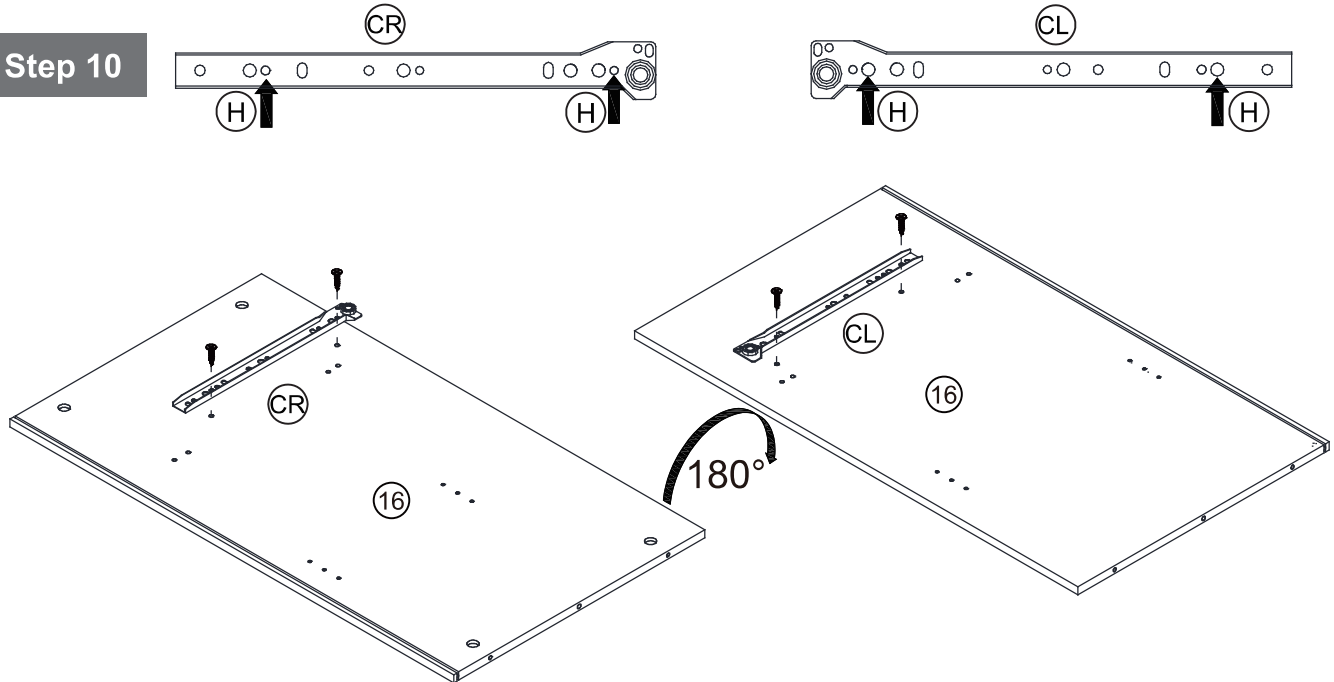


# Assembly Instructions

## Step 9

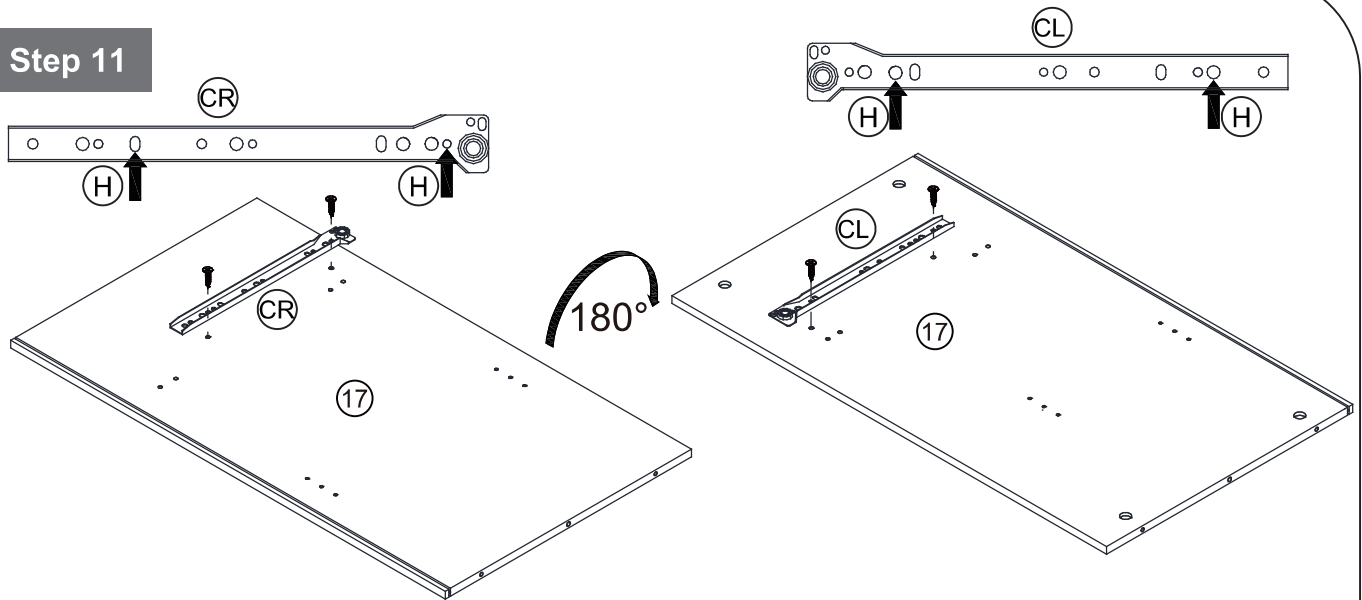


## Step 10

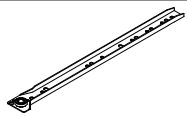


# Assembly Instructions

## Step 11

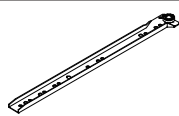


CL



300mm runner x 1

CR



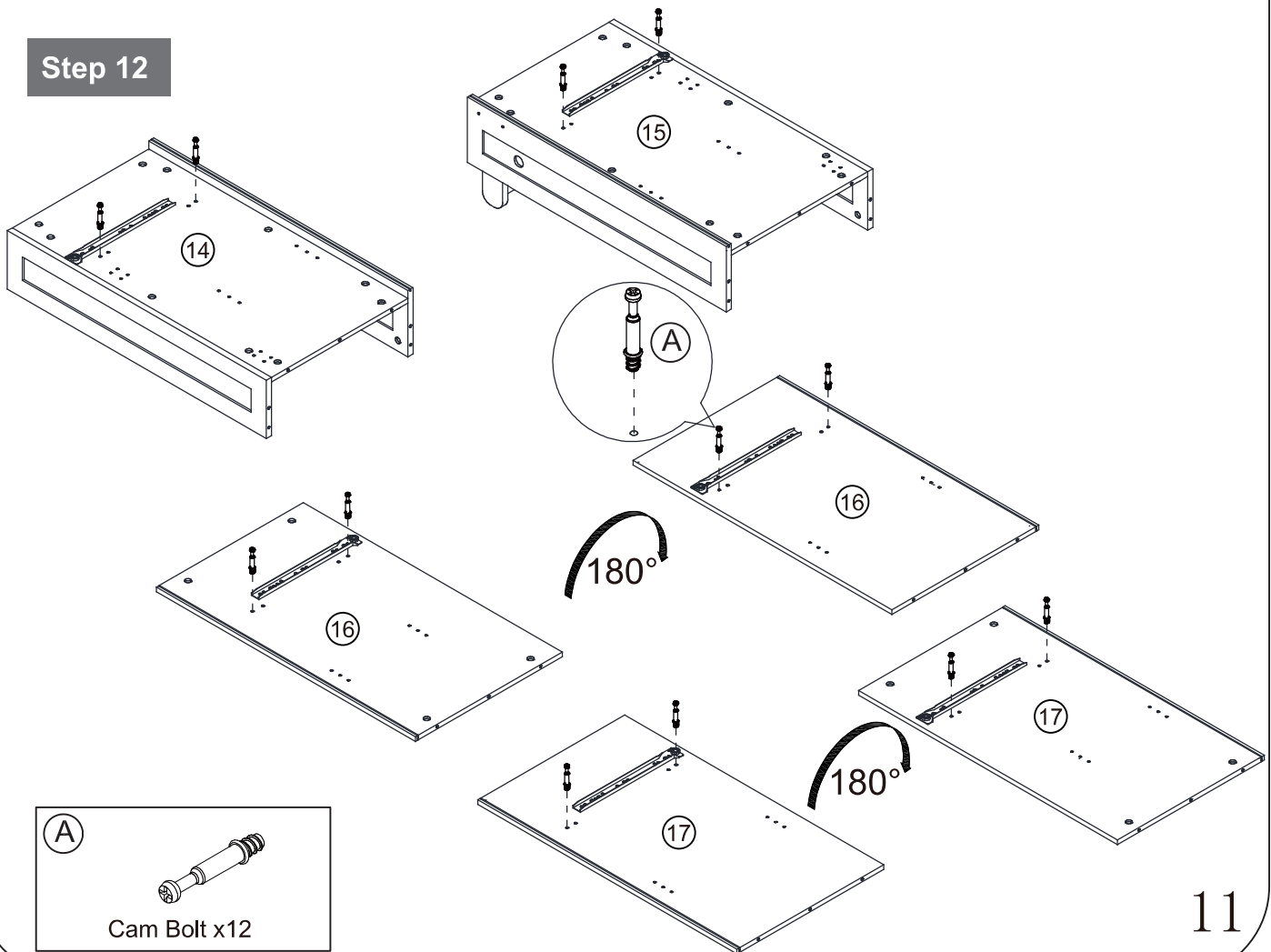
300mm runner x 1

H

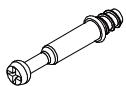


3.5\*12mm Screw x 4

## Step 12



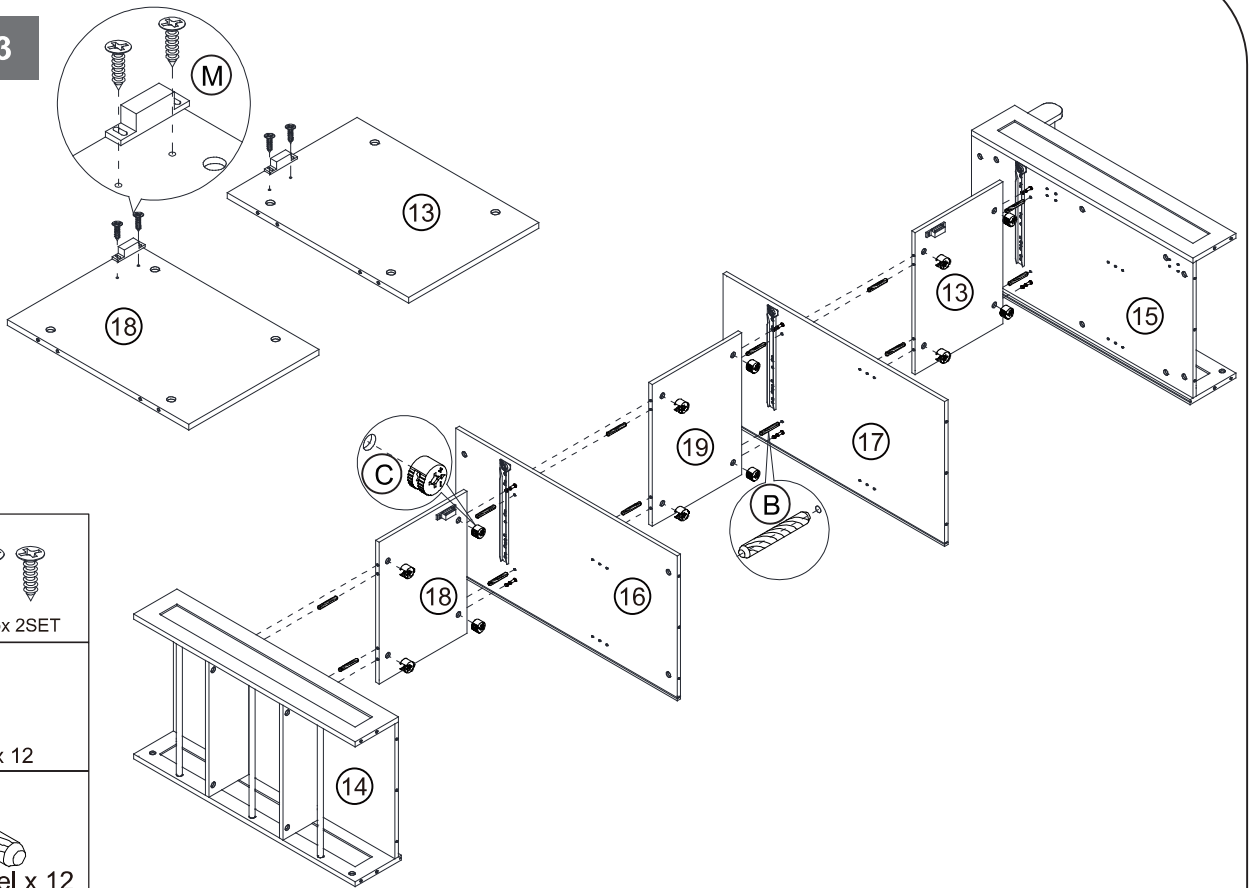
A



Cam Bolt x12

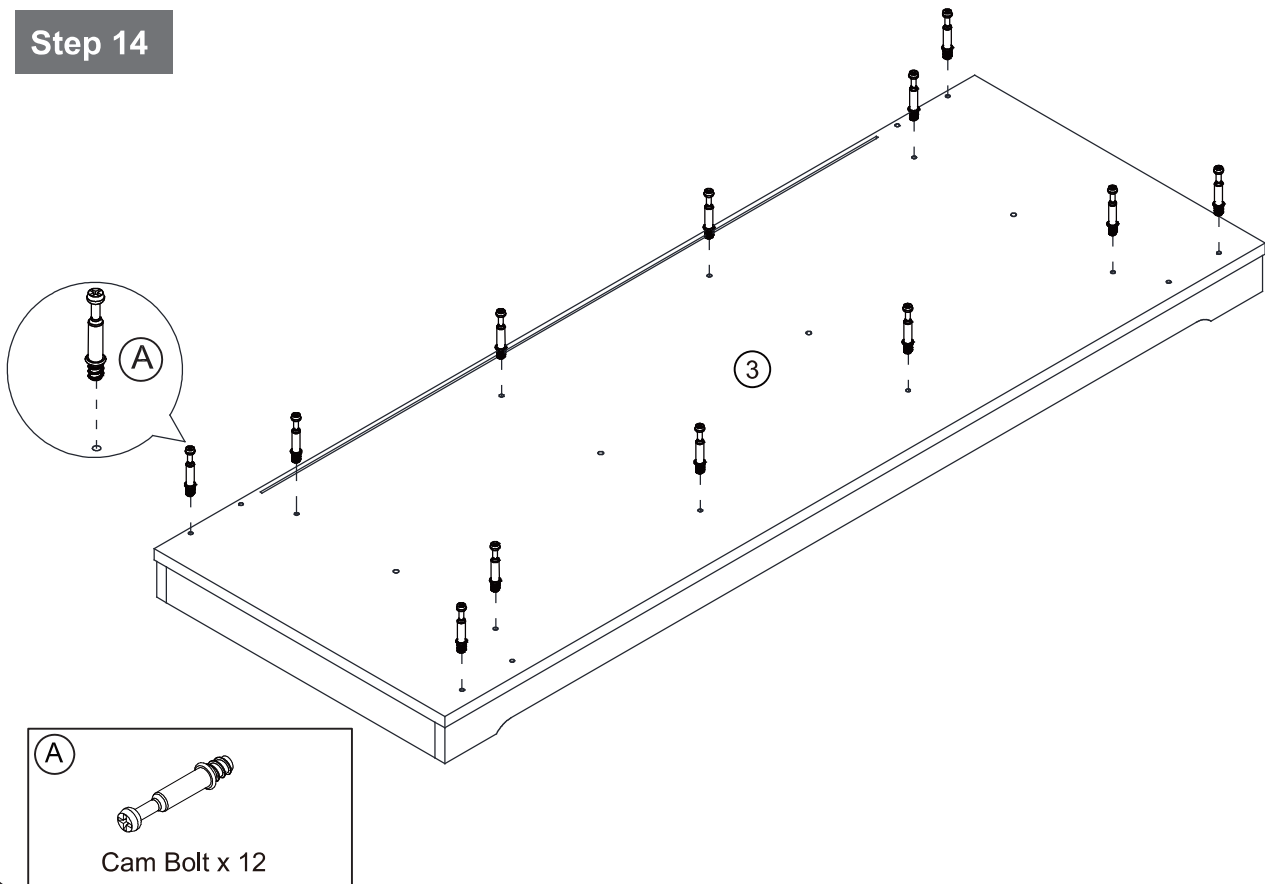
# Assembly Instructions

## Step 13



- M**  
3\*16mm Base knob 2SET
- C**  
Cam lock x 12
- B**  
6\*30mm Dowel x 12

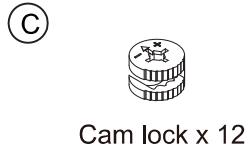
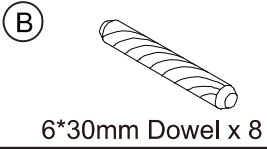
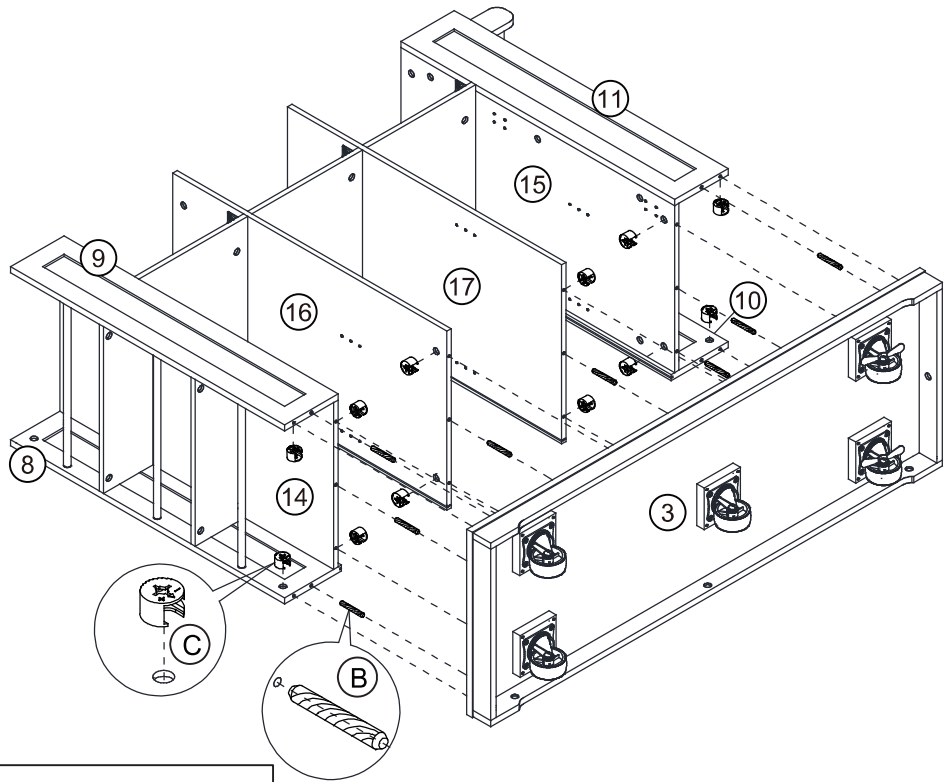
## Step 14



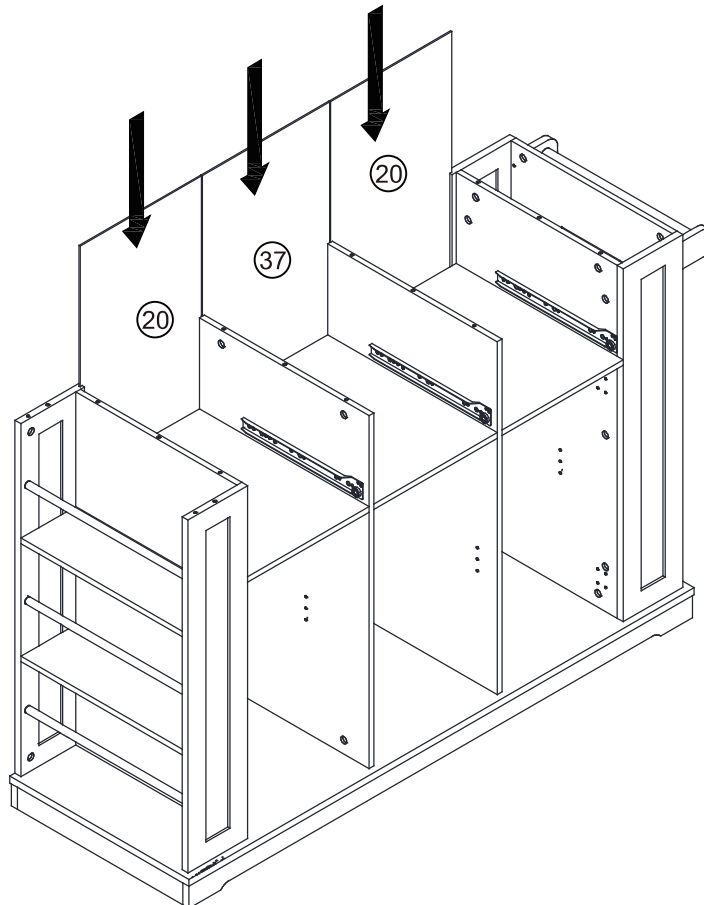
- A**  
Cam Bolt x 12

# Assembly Instructions

## Step 15

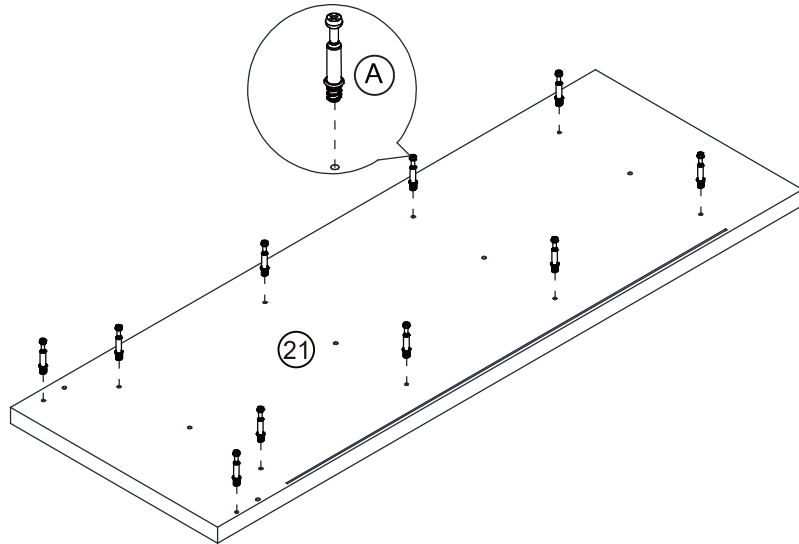


## Step 16

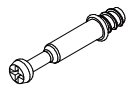


# Assembly Instructions

## Step 17

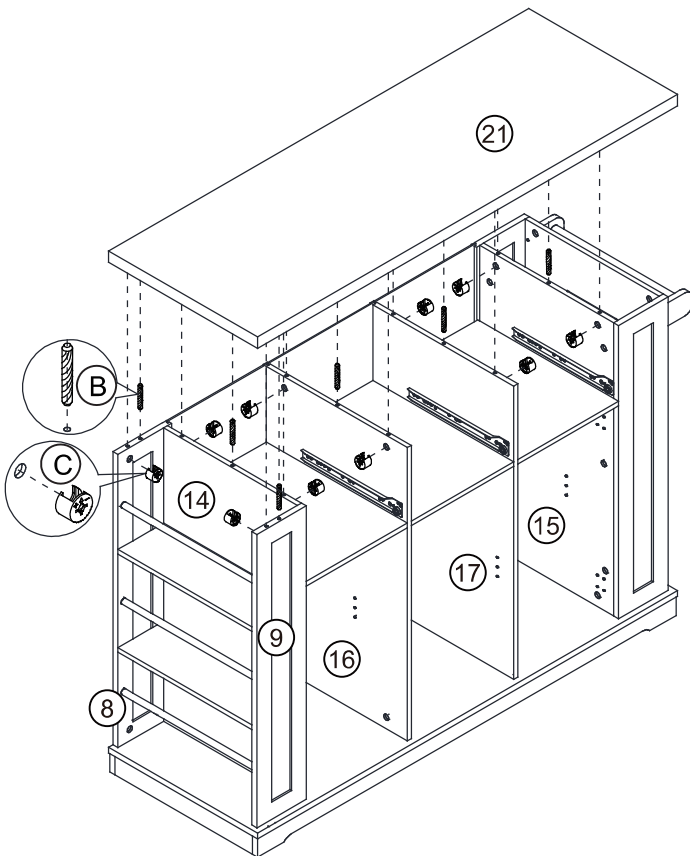


(A)



Cam Bolt x 10

## Step 18



(T)

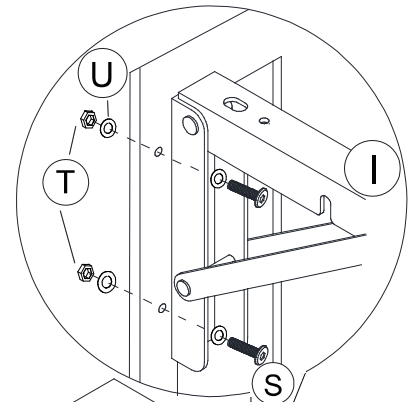


m6 nut x 4

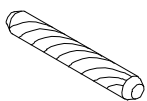
(U)



6mm gasket x8



(B)



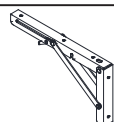
6\*30mm Dowel x 6

(C)



Cam lock x 10

(I)



Connecting rods x2

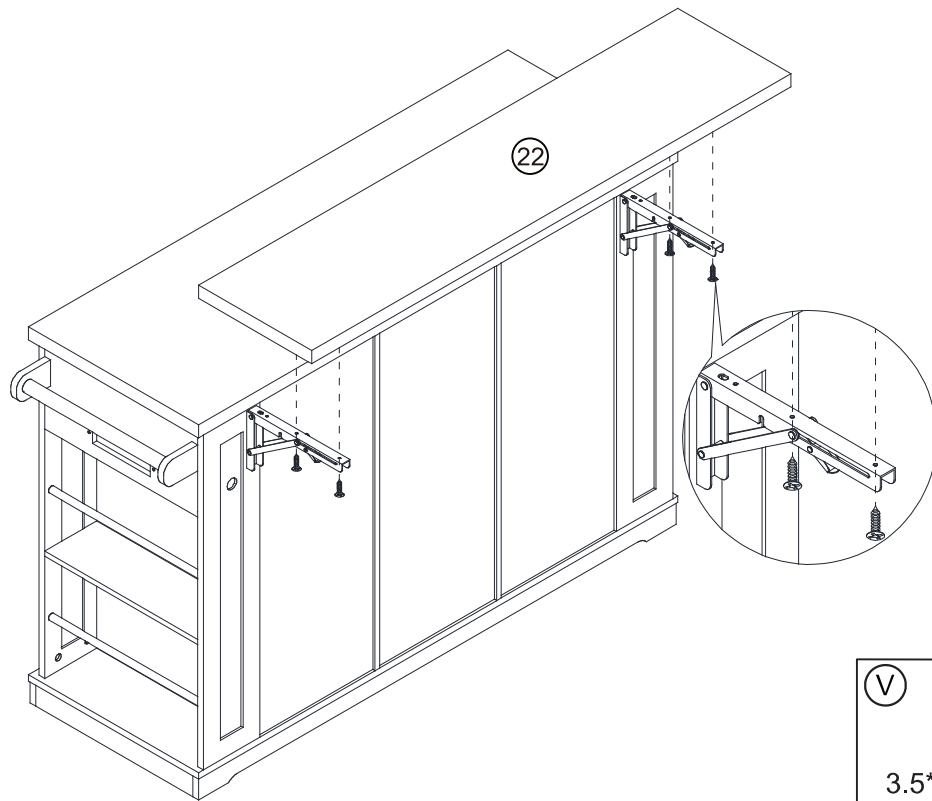
(S)



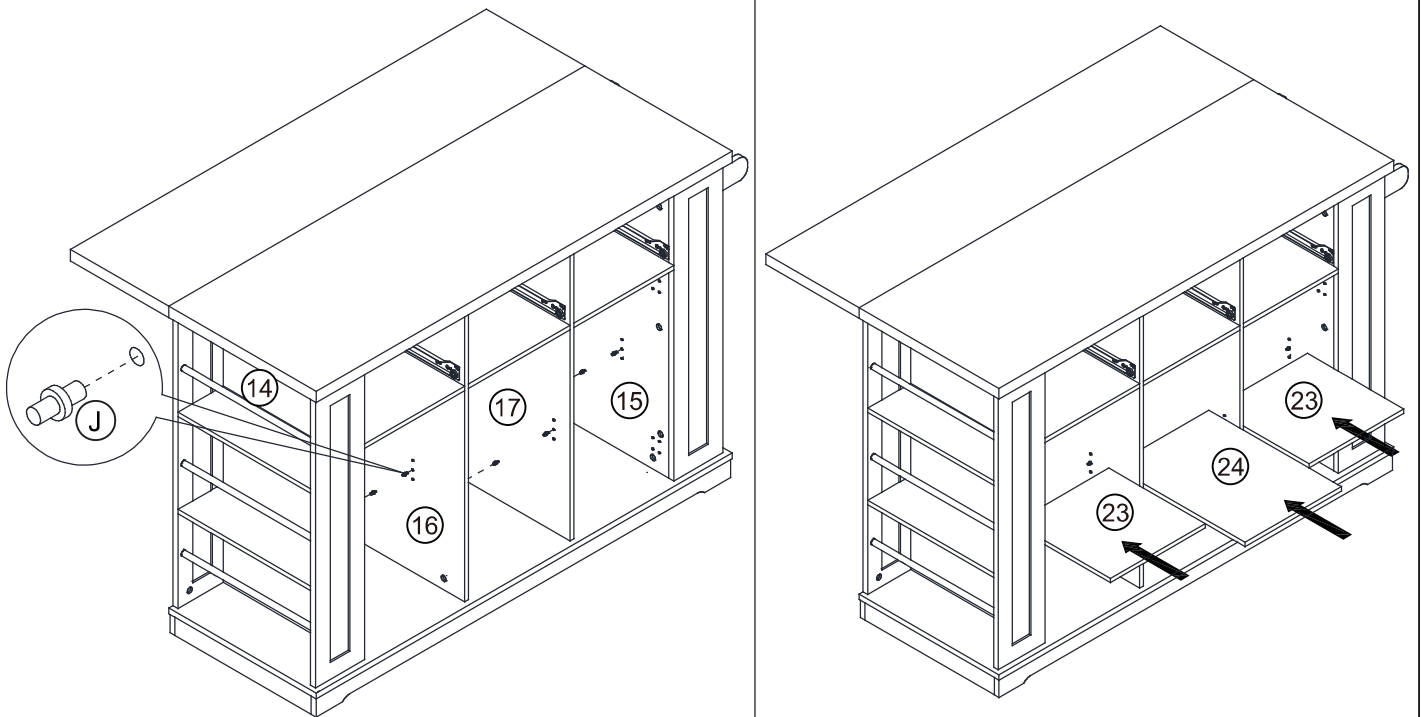
6\*25mm Screw x4

# Assembly Instructions

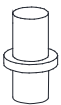
## Step 19



## Step 20



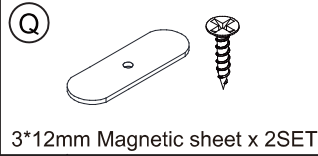
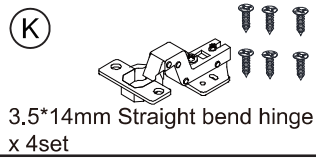
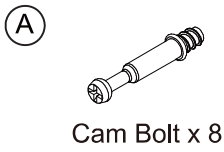
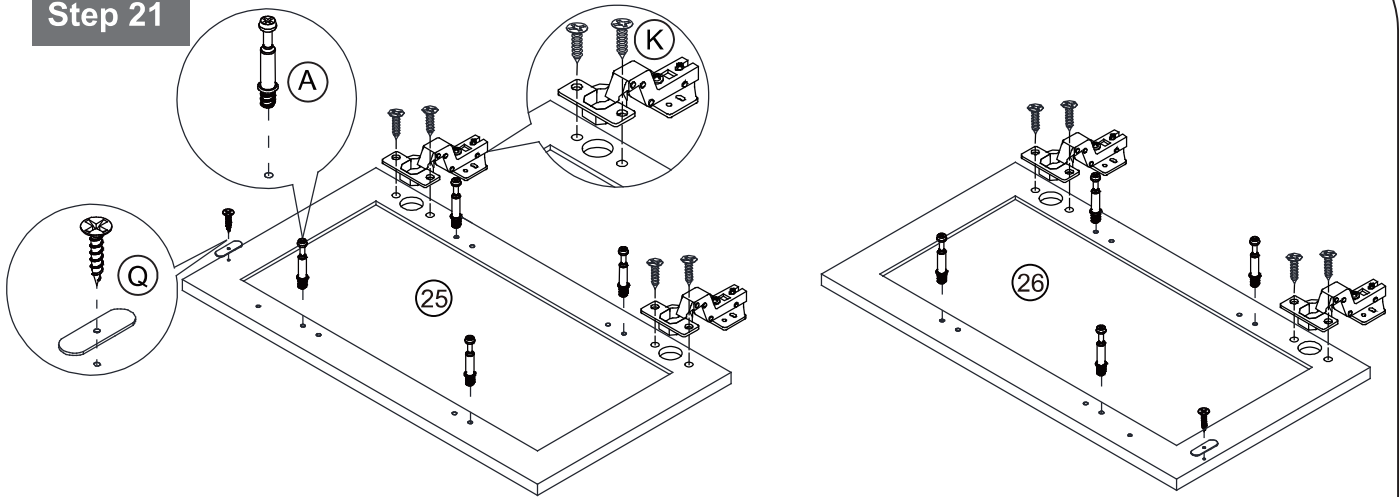
J



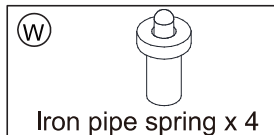
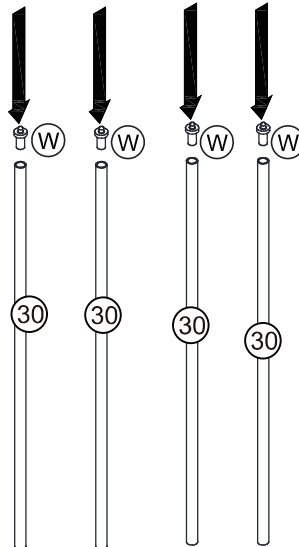
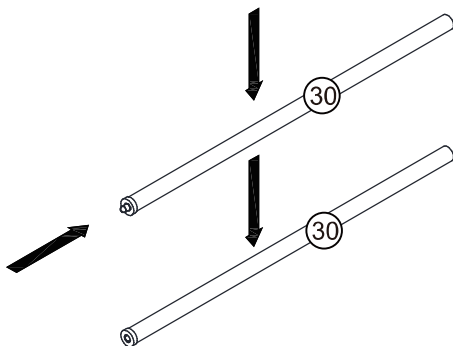
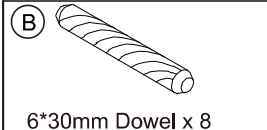
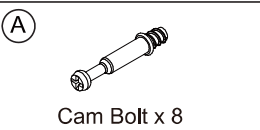
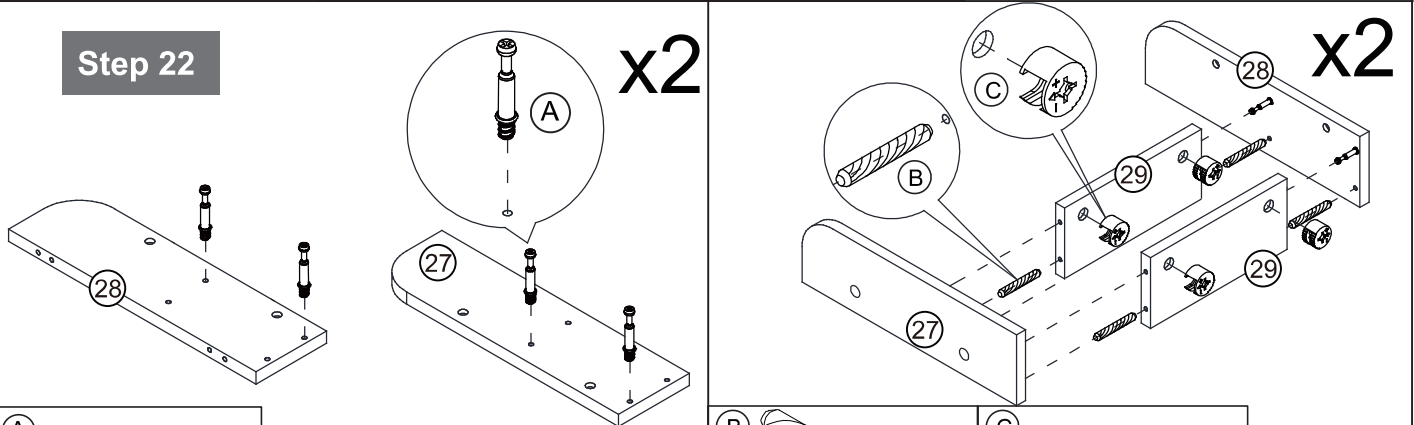
Shelf support pin x 12

# Assembly Instructions

## Step 21

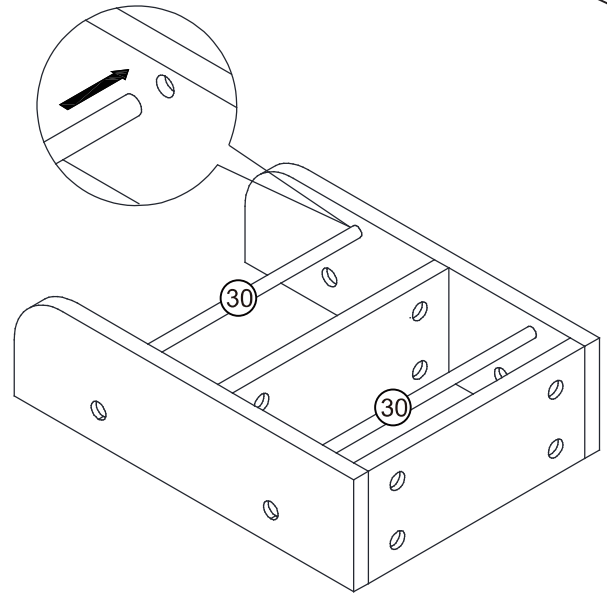
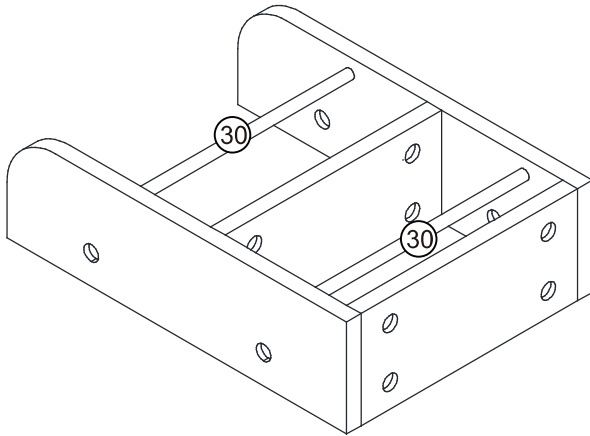


## Step 22

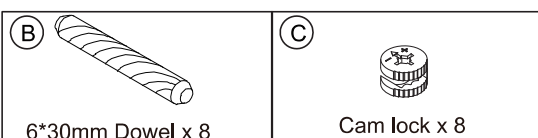
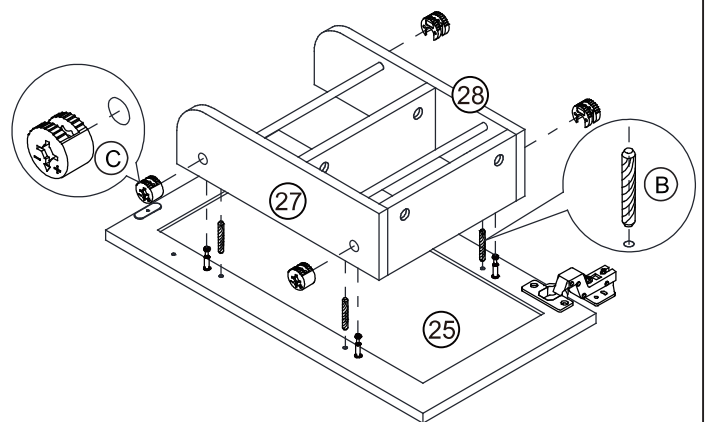
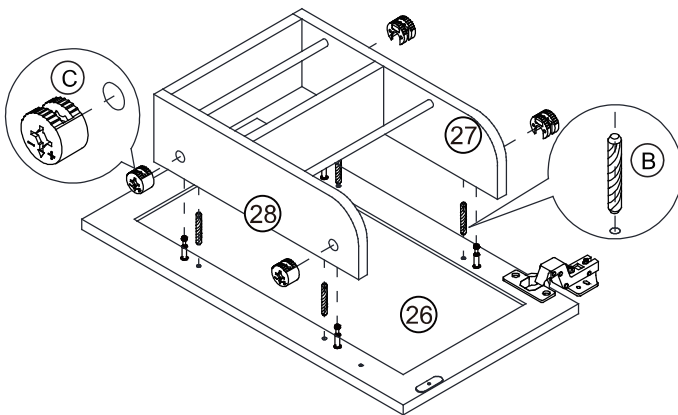


# Assembly Instructions

## Step 23

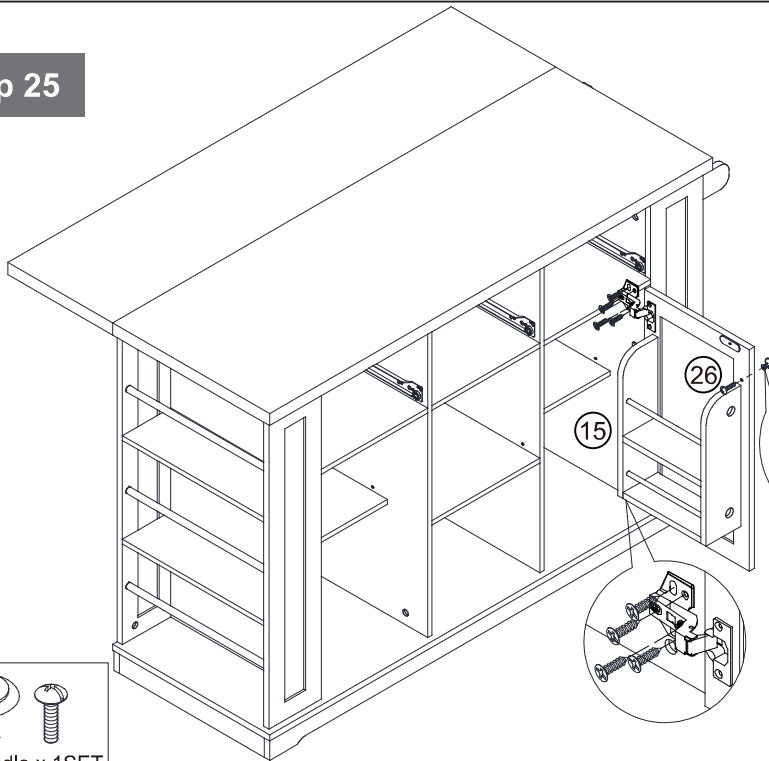


## Step 24

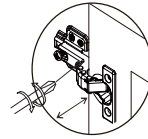


# Assembly Instructions

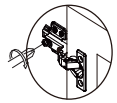
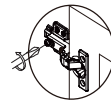
## Step 25



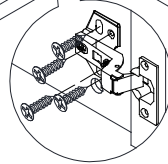
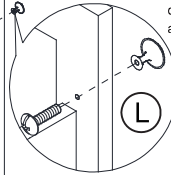
If the door can't close, please adjust the hinges.



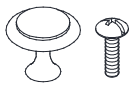
This is used to adjust the door panel in the up and down direction.



This is used to adjust the door panel in the front and back direction. Loosen the screw first, and then tighten screw after adjusting the door panel to the proper position.

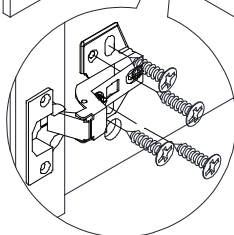
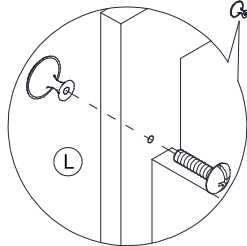
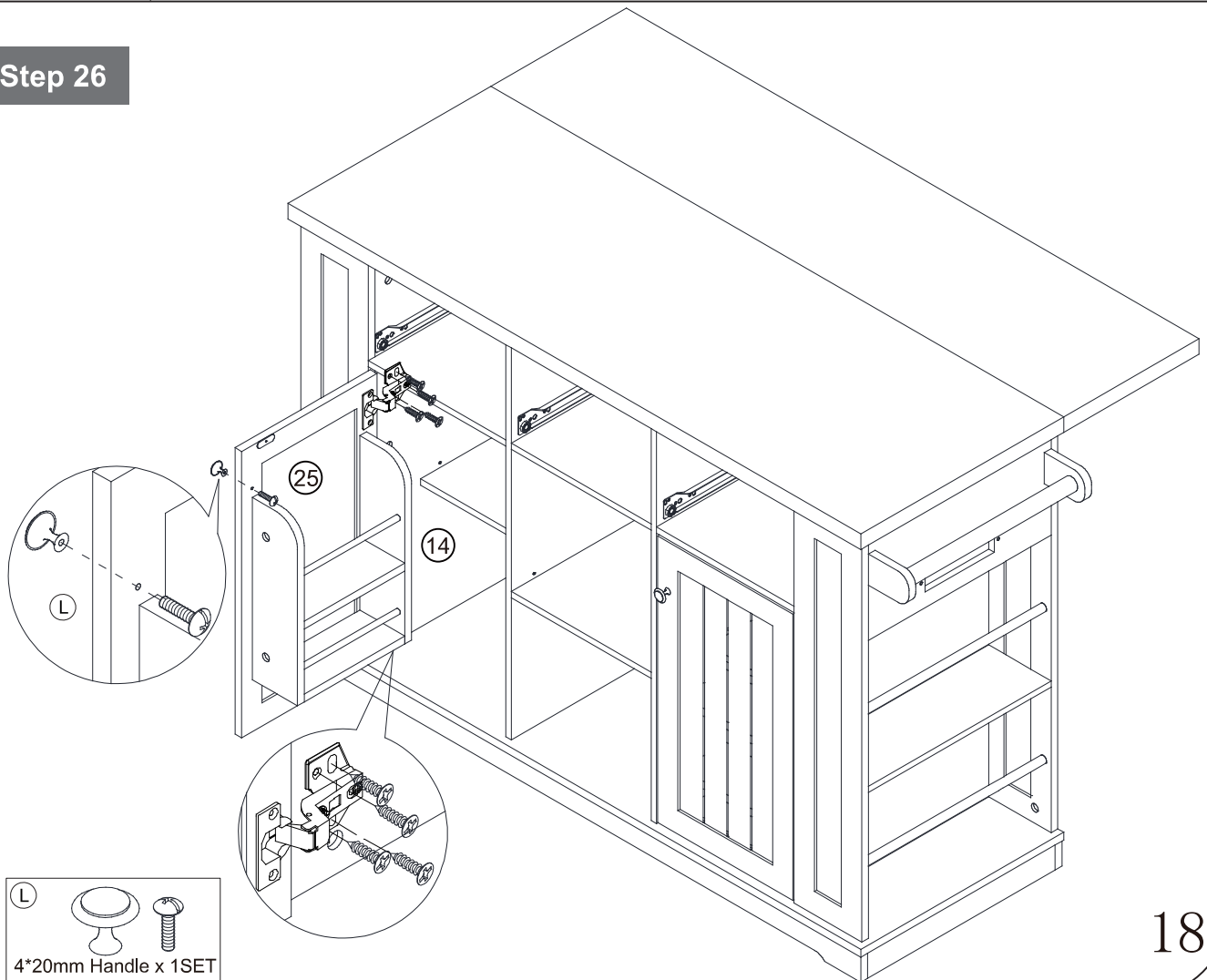


L

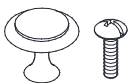


4\*20mm Handle x 1SET

## Step 26



L

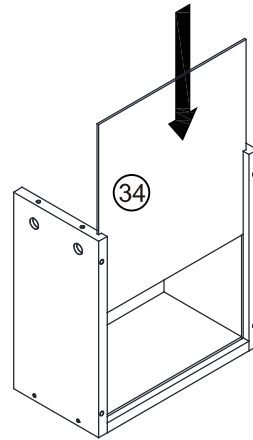
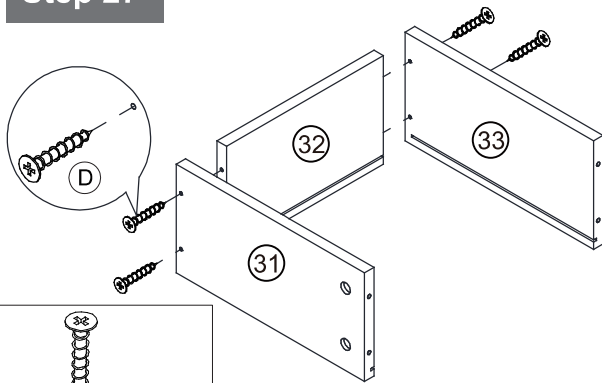


4\*20mm Handle x 1SET

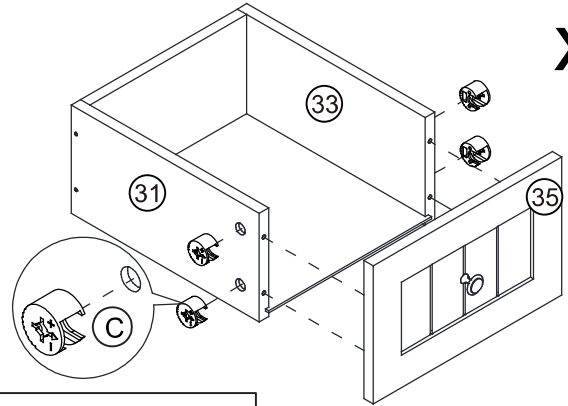
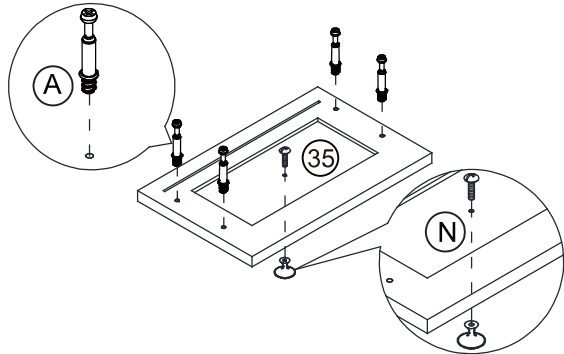
# Assembly Instructions

## Step 27

x3



4\*25mm Screw x 12



x3



Cam Bolt x 12



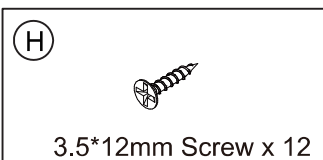
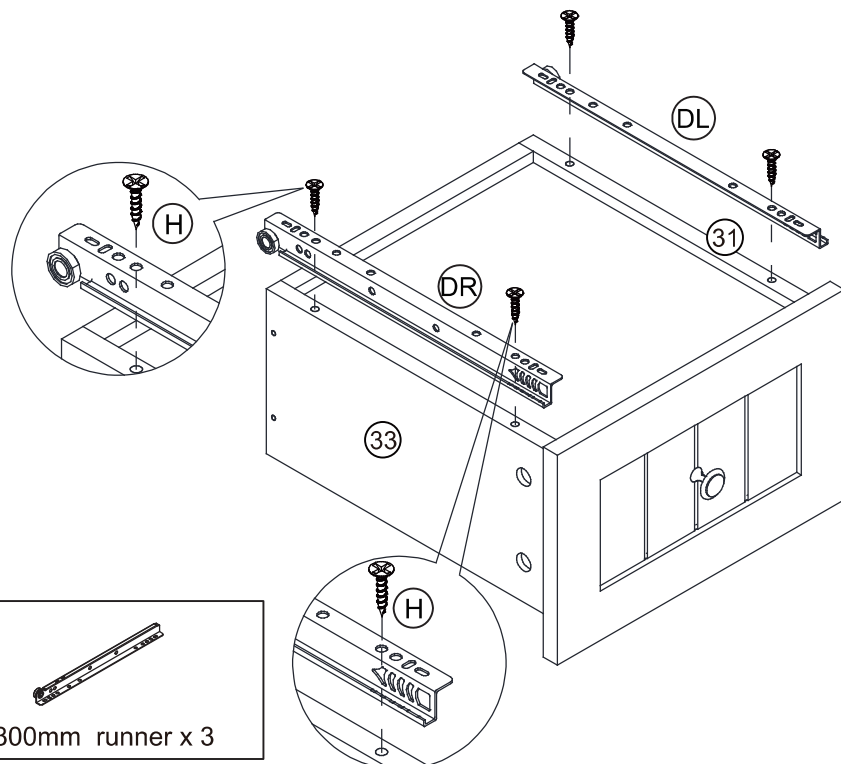
4\*12mm Handle x 3SET



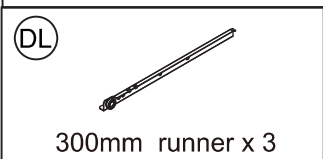
Cam lock x 12

## Step 28

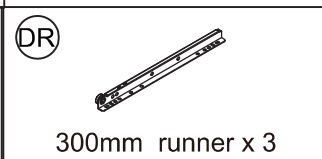
x3



3.5\*12mm Screw x 12



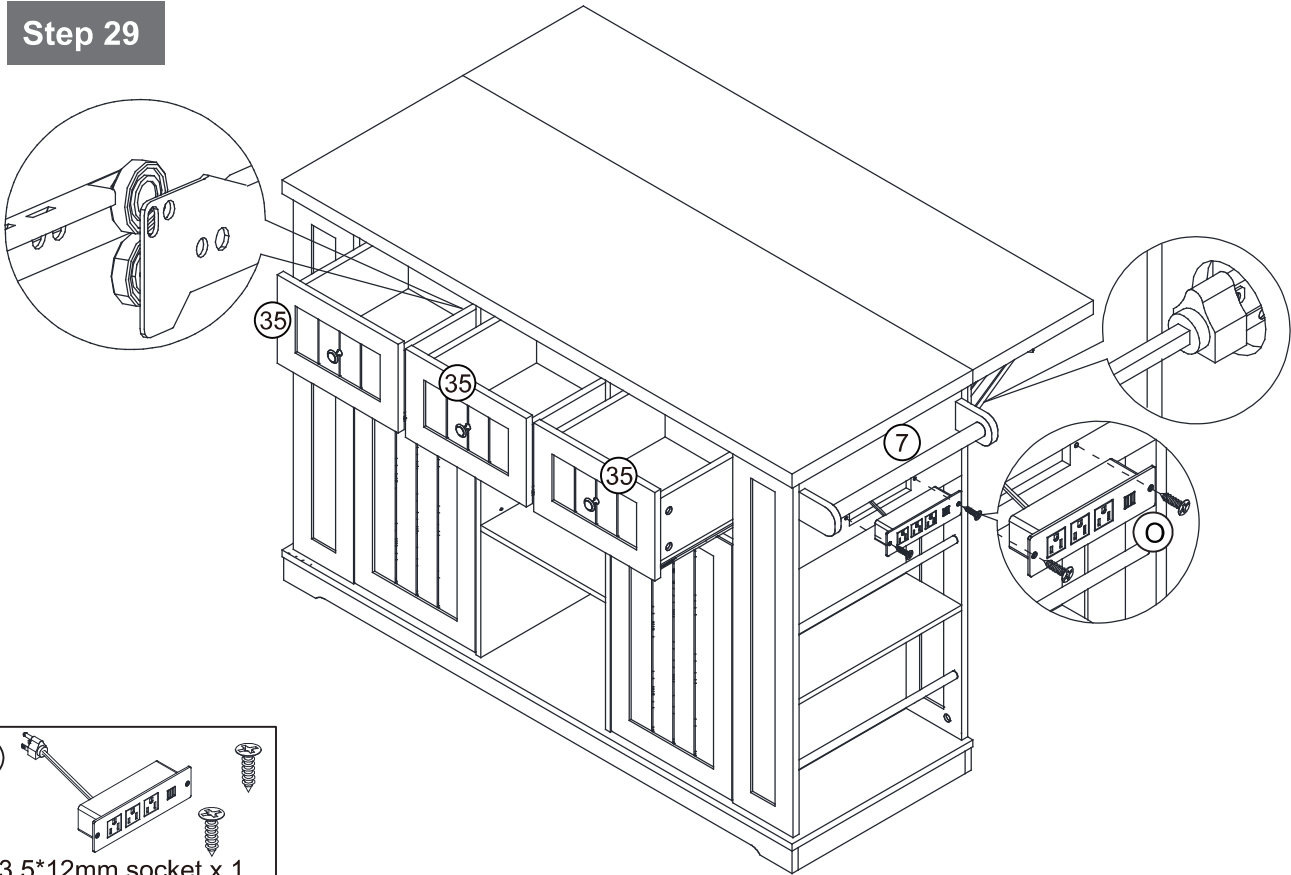
300mm runner x 3



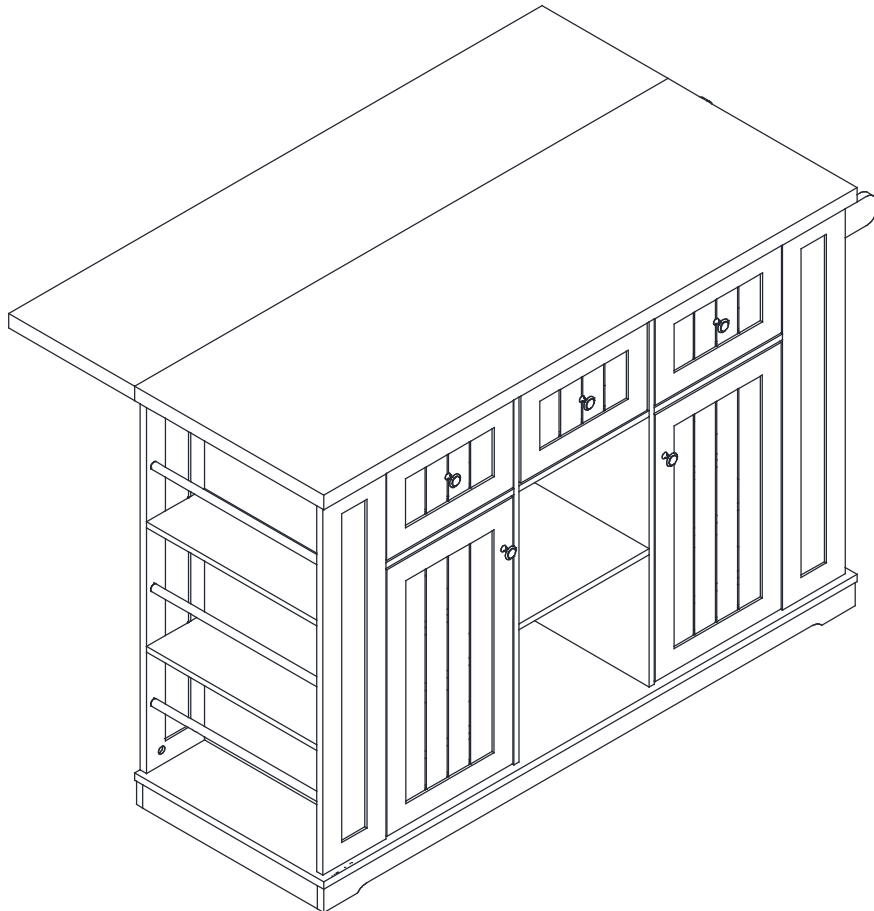
300mm runner x 3

# Assembly Instructions

## Step 29

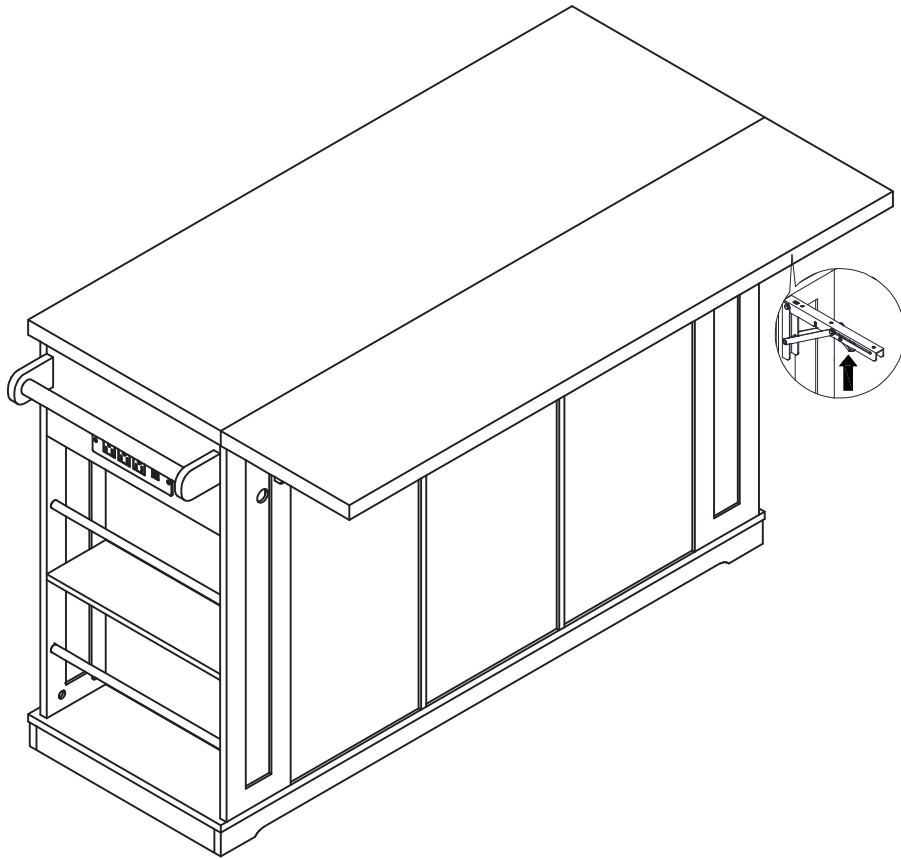


## Step 30



# Assembly Instructions

Step 31



Step 32

