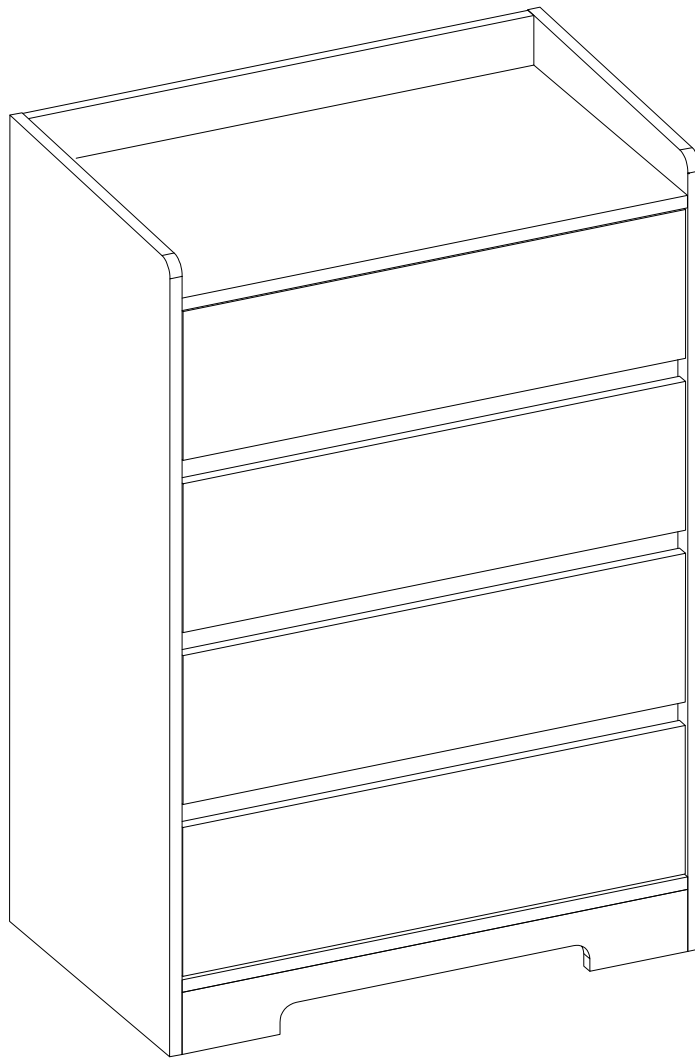
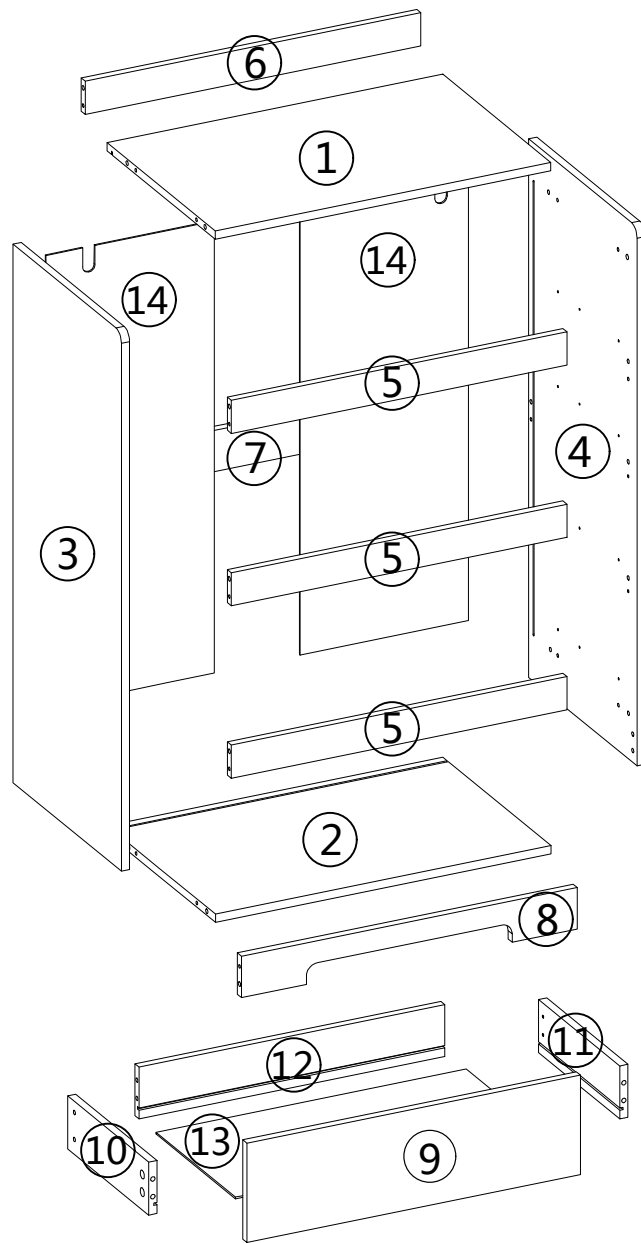
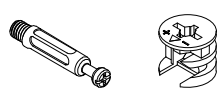
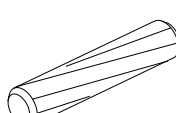
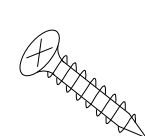
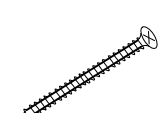
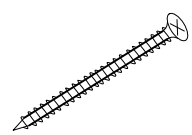

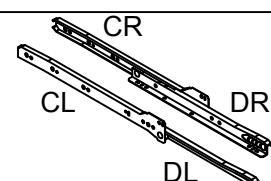

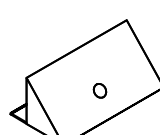
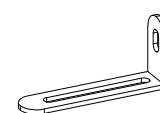




# Installation & Assembly

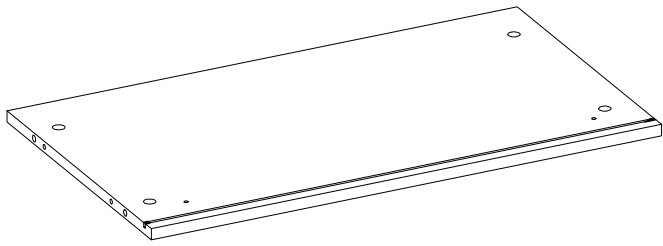




X4

<p><b>A</b></p>  <p>A1 A2 36PCS</p>	<p><b>B</b></p>  <p><math>\phi 8 \times 30 \text{mm}</math> 20PCS</p>	<p><b>C</b></p>  <p>M3.5*14mm 58PCS</p>	<p><b>D</b></p>  <p>M3.5*35mm 16PCS</p>
<p><b>E</b></p>  <p>M3.5*40mm 2PCS</p>	<p><b>F</b></p>  <p>M8*40mm 2PCS</p>	<p><b>G</b></p>  <p>L=300mm 4PCS</p>	<p><b>H</b></p>  <p>6PCS</p>
<p><b>I</b></p>  <p>8PCS</p>	<p><b>J</b></p>  <p>65X32X15mm 2PCS</p>	<p><b>K</b></p>  <p>L=809mm 1PC</p>	<p><b>L</b></p>  <p><math>\phi 21 \text{mm}</math> 36PCS</p>

1

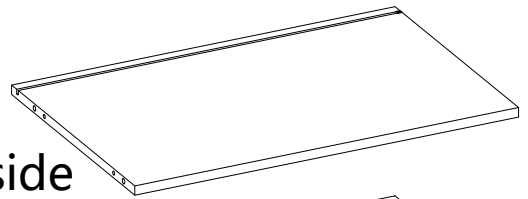


620\*399\*15mm

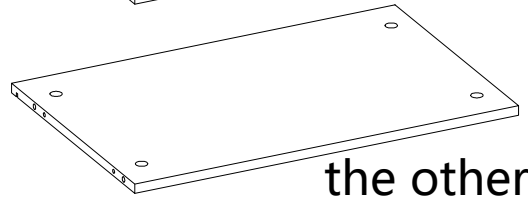
1 PC

2

one side



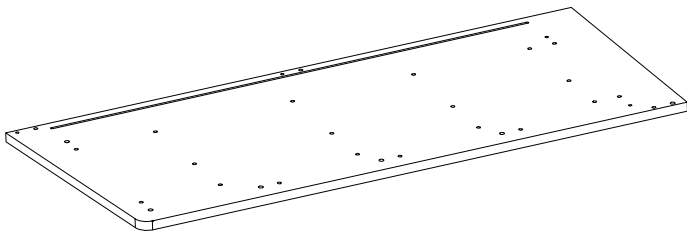
the other side



620\*399\*15mm

1 PC

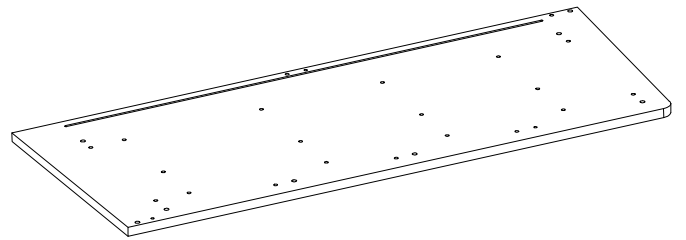
3



975\*400\*15mm

1 PC

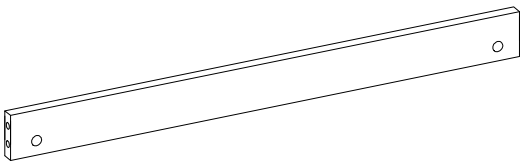
4



975\*400\*15mm

1 PC

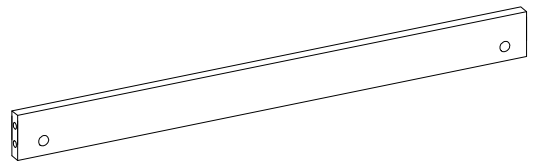
5



620\*60\*15mm

3 PCS

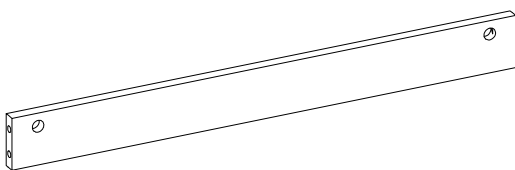
6



620\*60\*15mm

1 PC

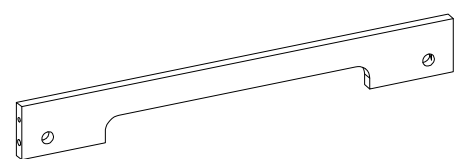
7



620\*75\*15mm

1 PC

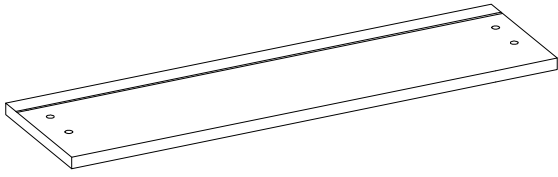
8



620\*75\*15mm

1 PC

9

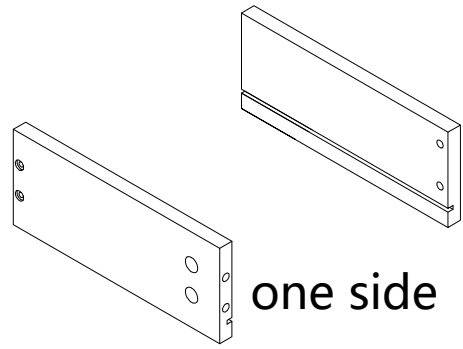


180\*616\*15mm

4 PCS

10

the other side



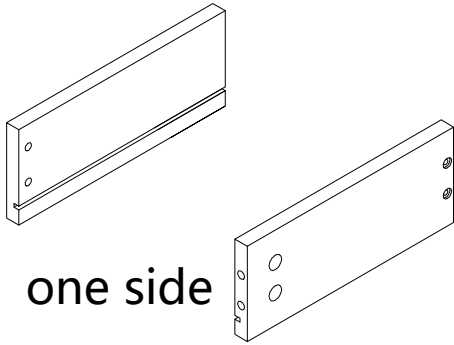
one side

300\*96\*15mm

4 PCS

11

the other side

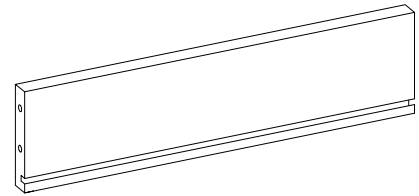


one side

300\*96\*15mm

4 PCS

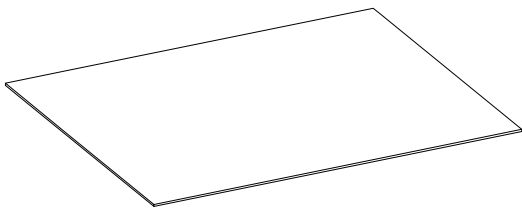
12



565\*96\*15mm

4 PCS

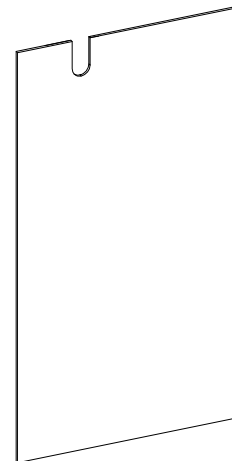
13



575\*295\*3mm

4 PCS

14



819\*315\*3mm

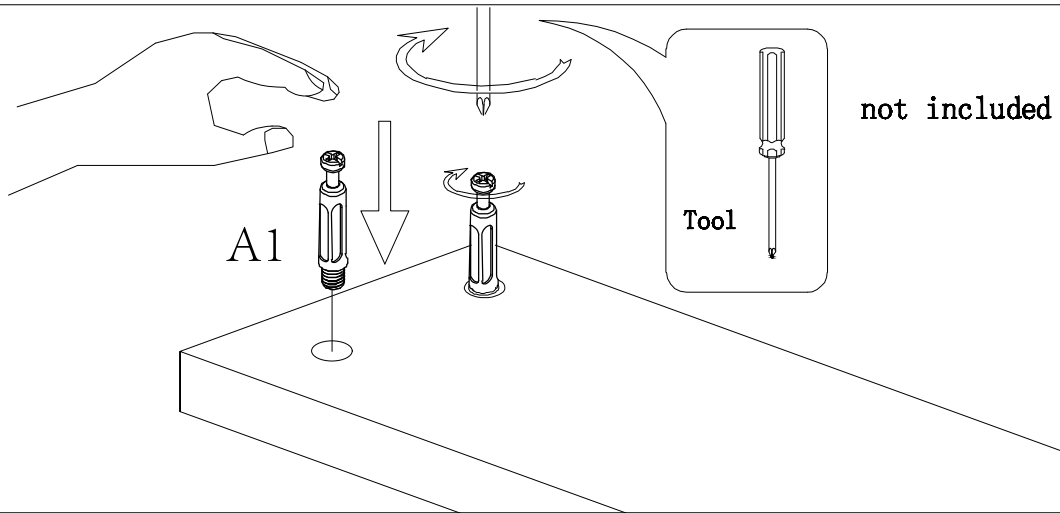
2 PCS

# Hardware installation demonstration

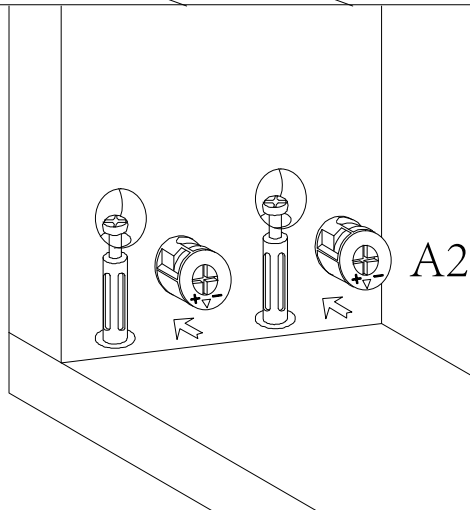


NOTE: Please make sure "A1" hardware tightened and can't be pulled out!

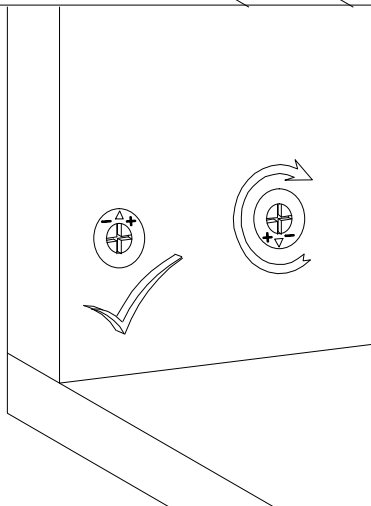
I



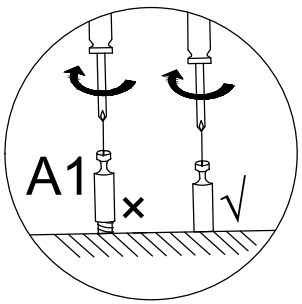
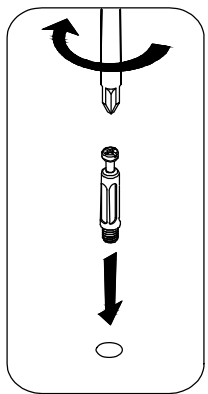
II



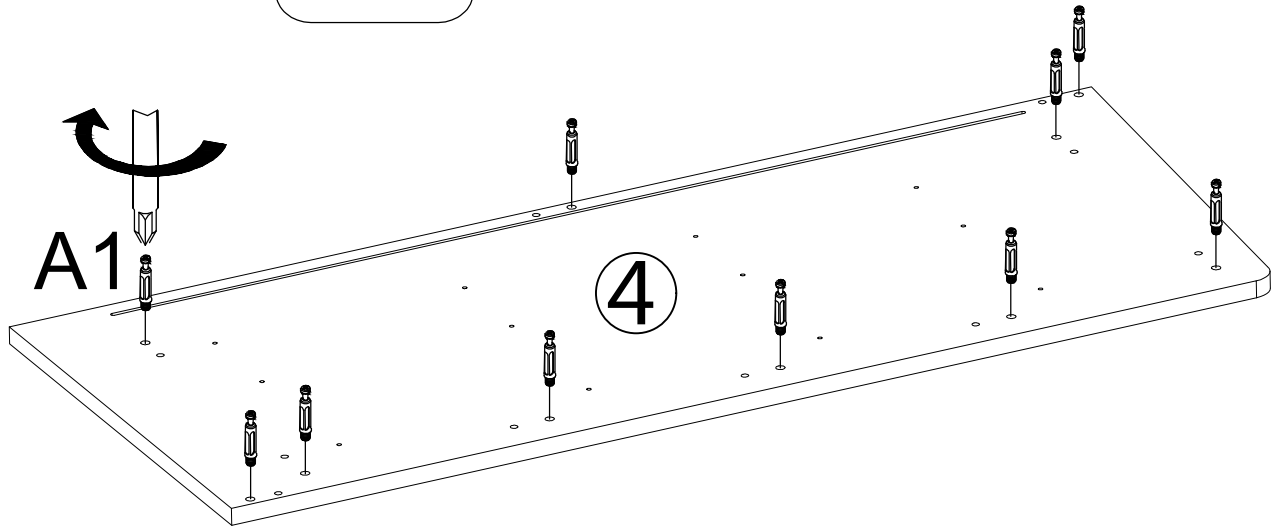
III



# STEP 1

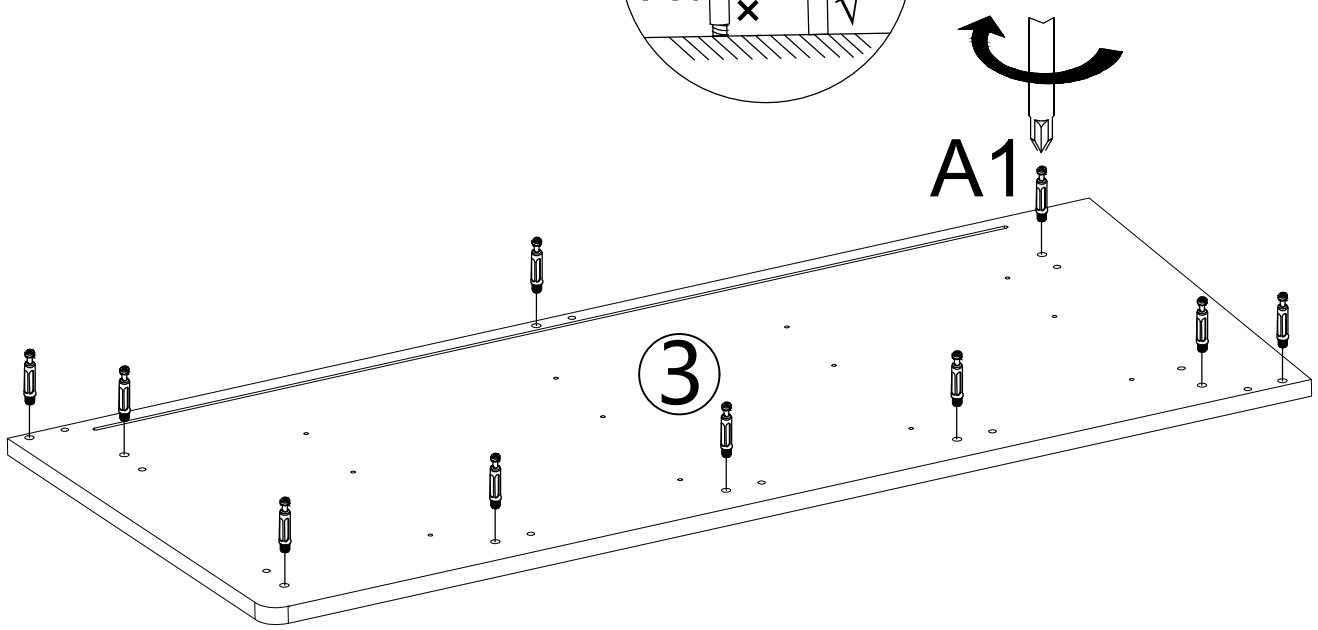
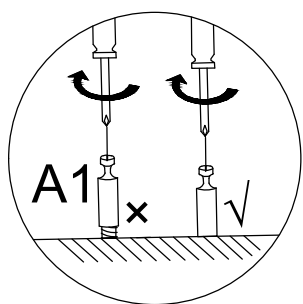



Tighten it , Same after



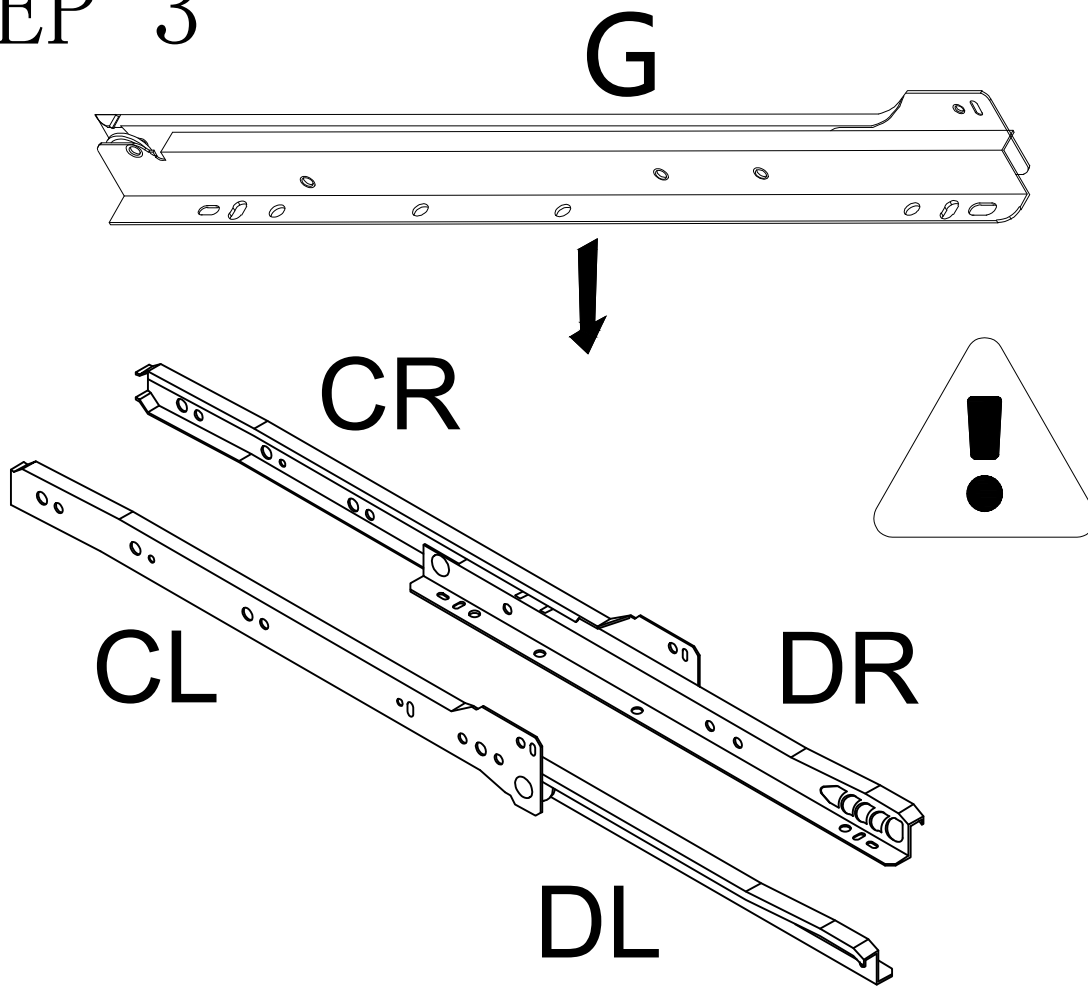
	A1 × 10PCS
--	------------

# STEP 2

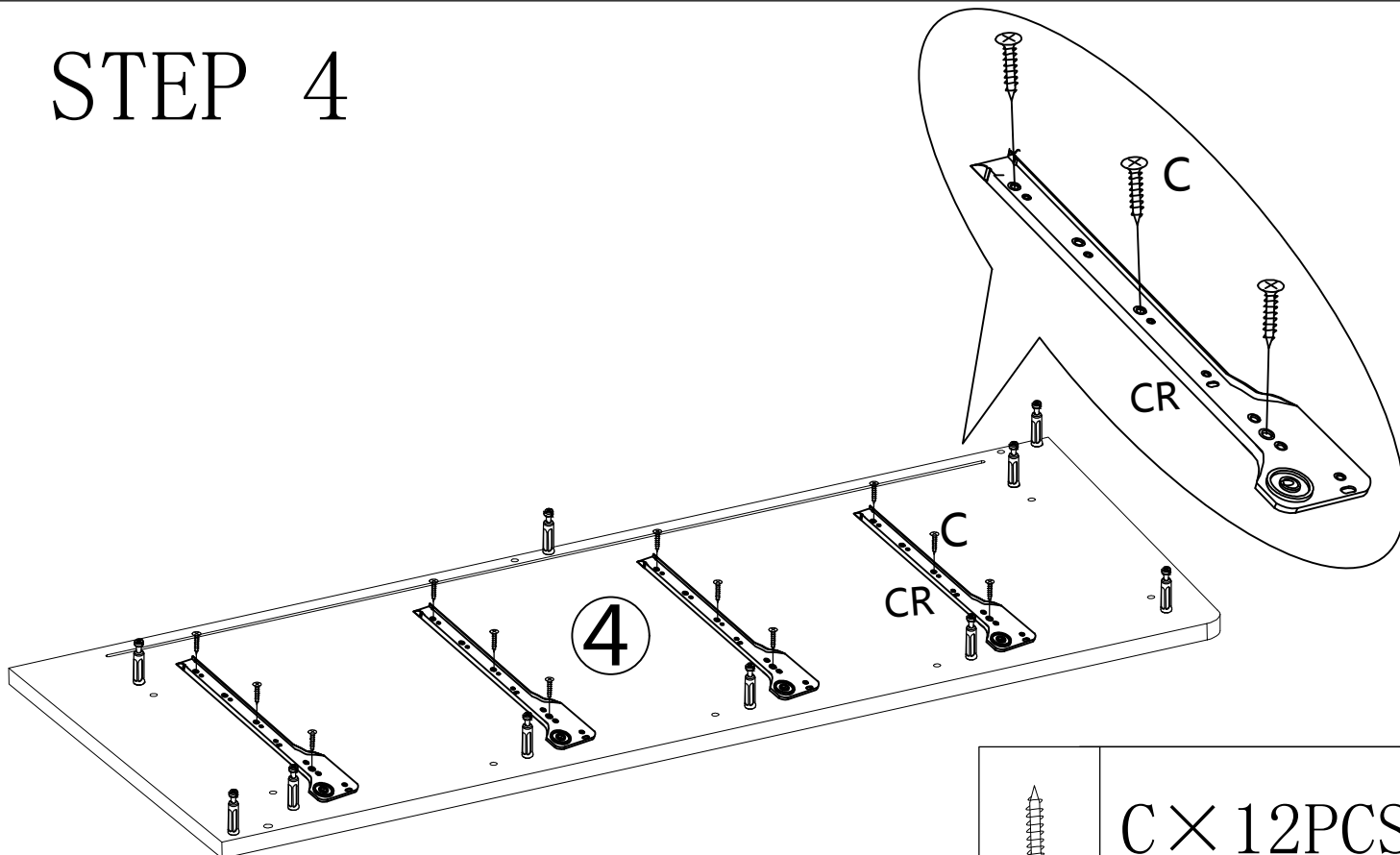




	A1 × 10PCS
---	------------

# STEP 3

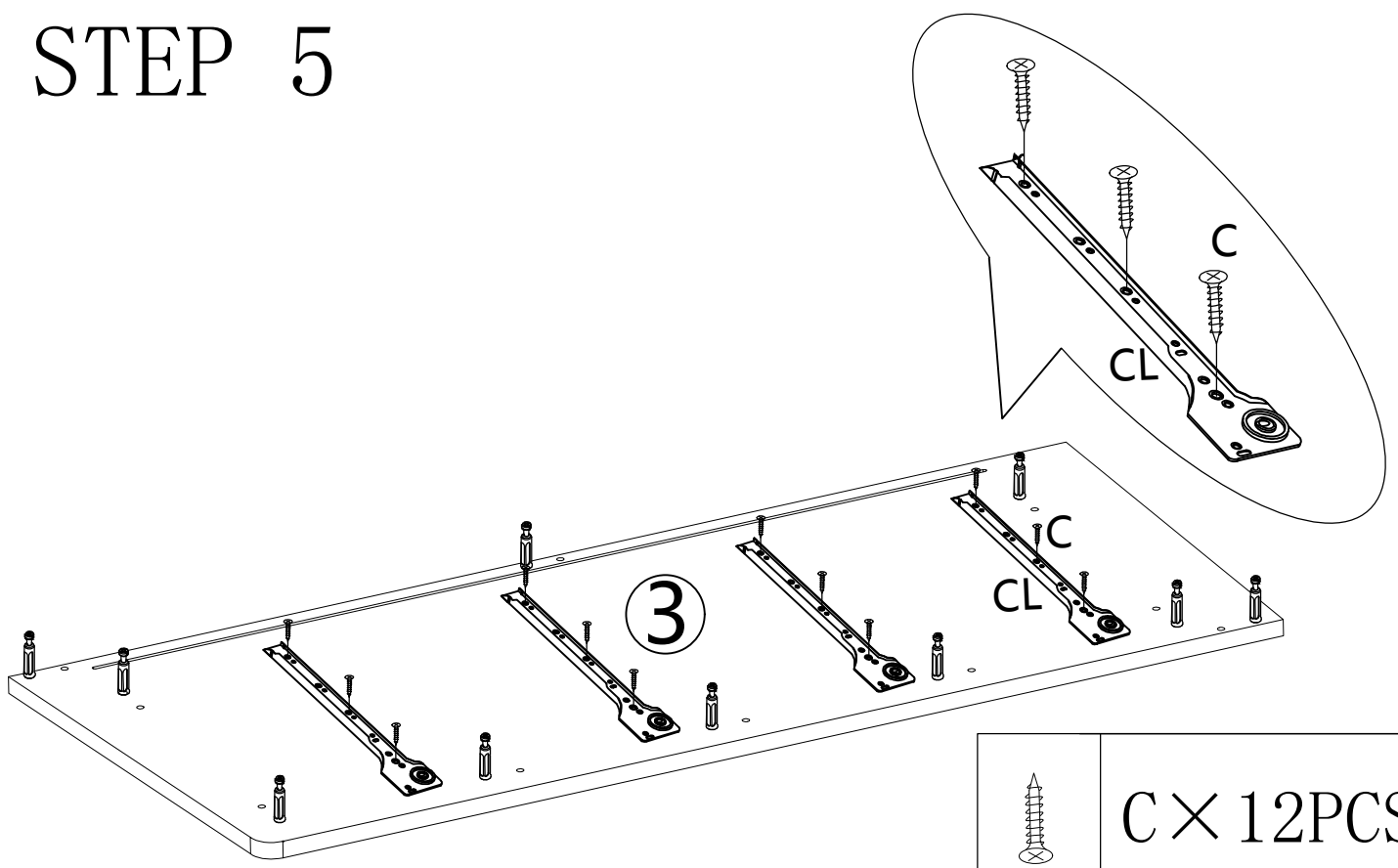




# STEP 4



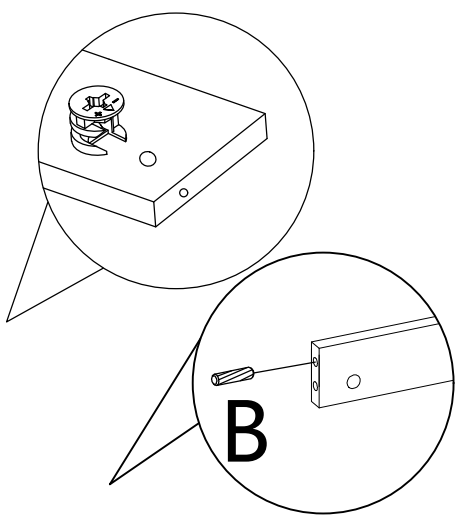
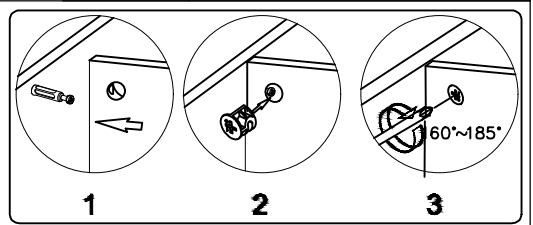
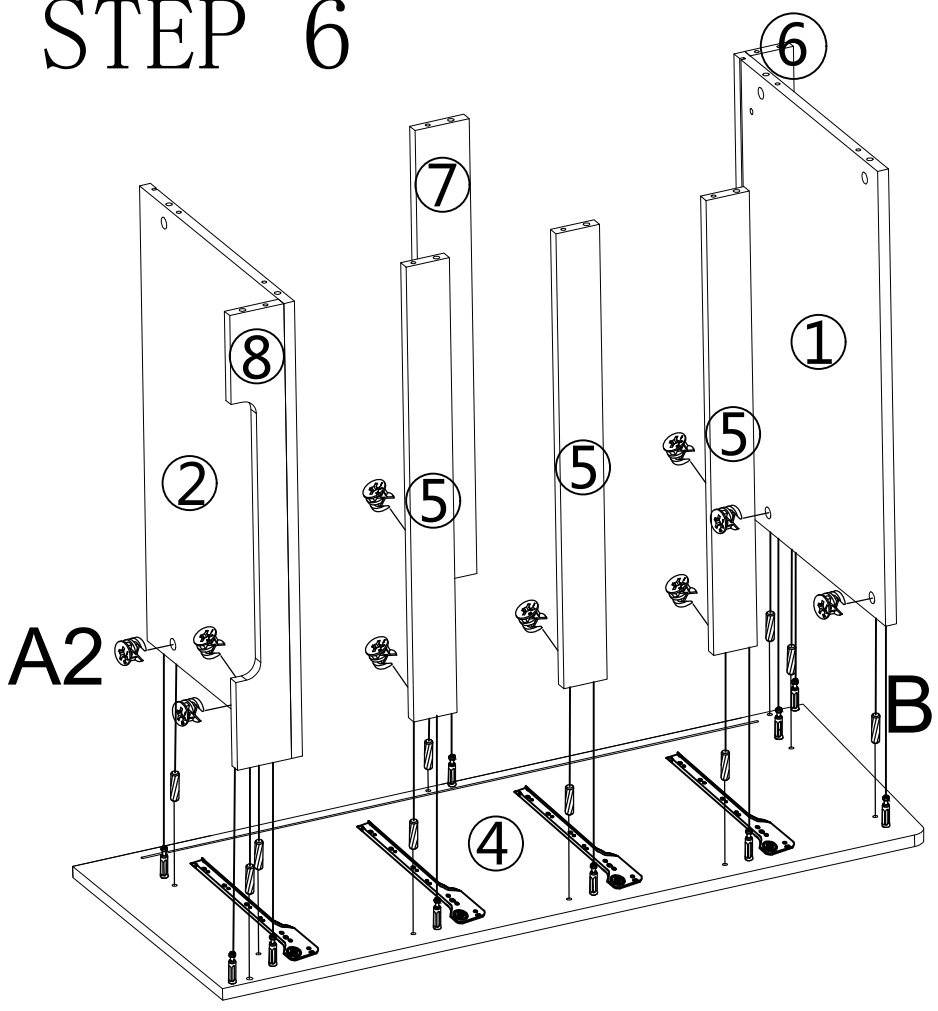
	C × 12PCS
	CR × 4PCS



# STEP 5



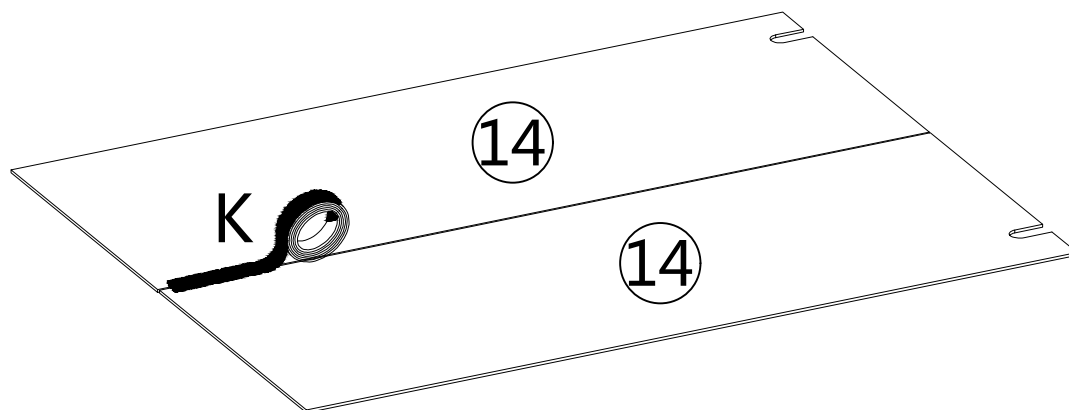
	C × 12PCS
	CL × 4PCS

# STEP 6



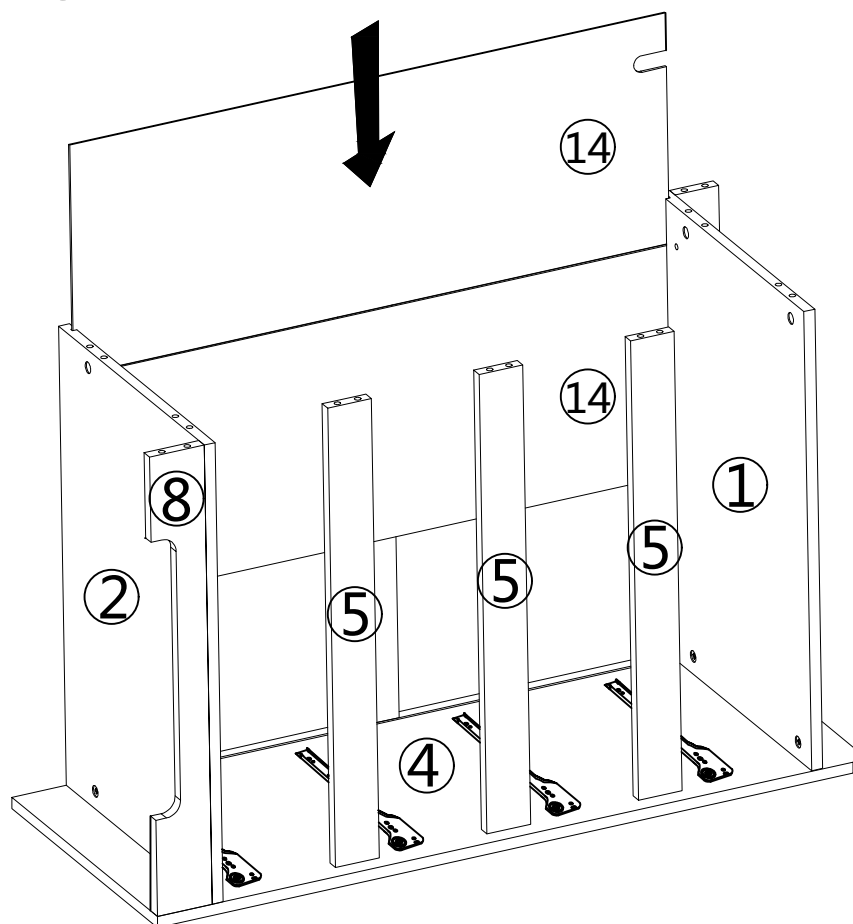
	A2 × 10PCS
	B × 10PCS

# STEP 7

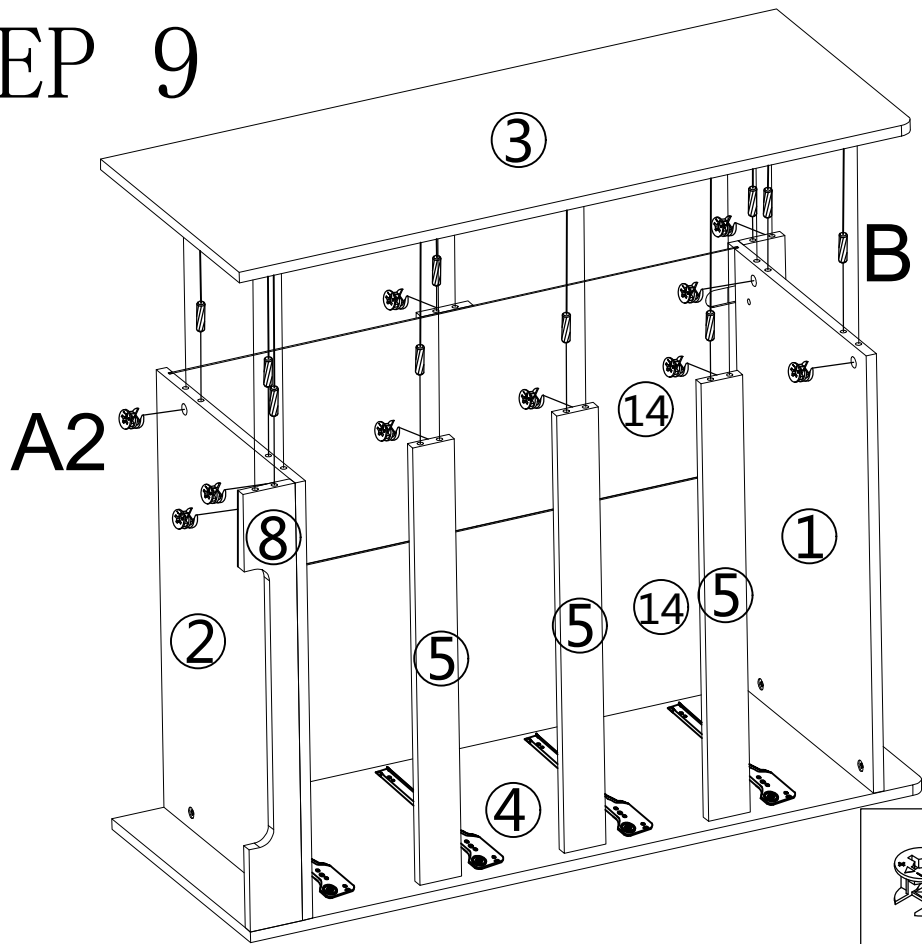




K × 1PC

# STEP 8

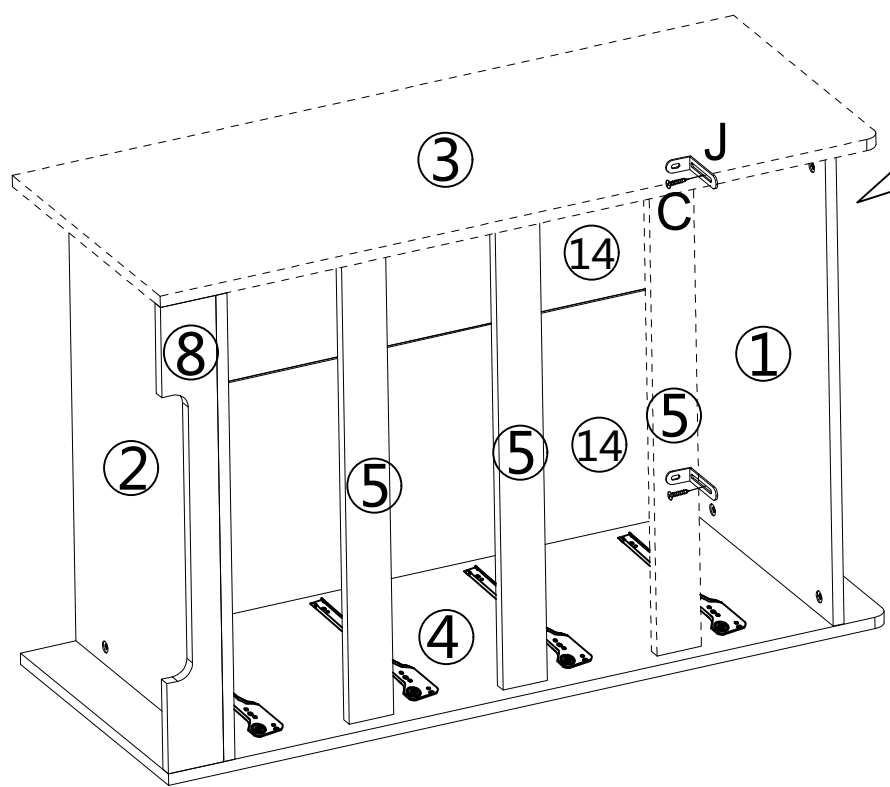


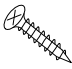

# STEP 9



	A2 × 10PCS
	B × 10PCS

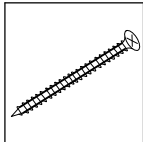
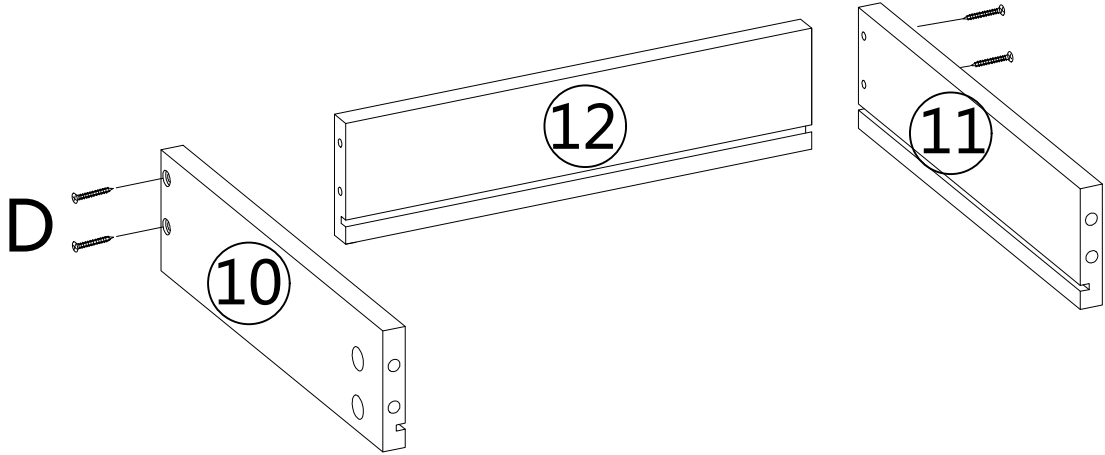
# STEP 10



	C × 2PCS
	J × 2PCS

# STEP 11

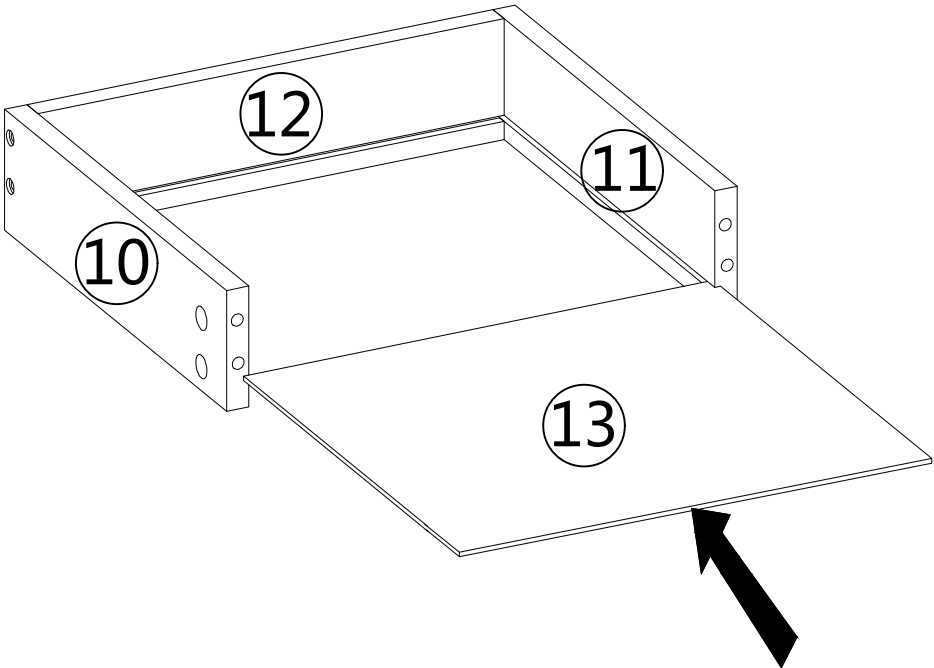
# X4



D × 4PCS

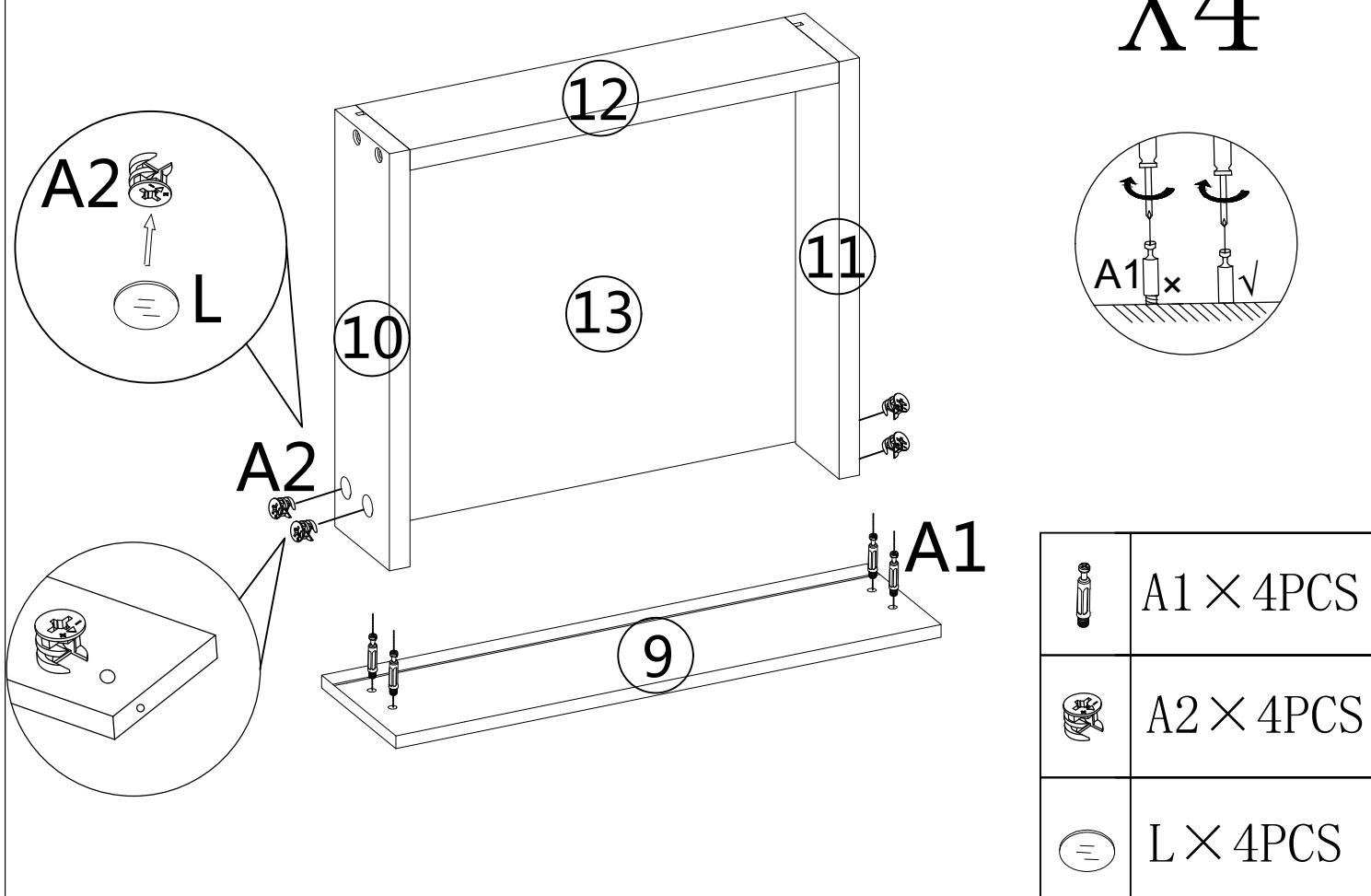
# STEP 12




# X4



# STEP 13

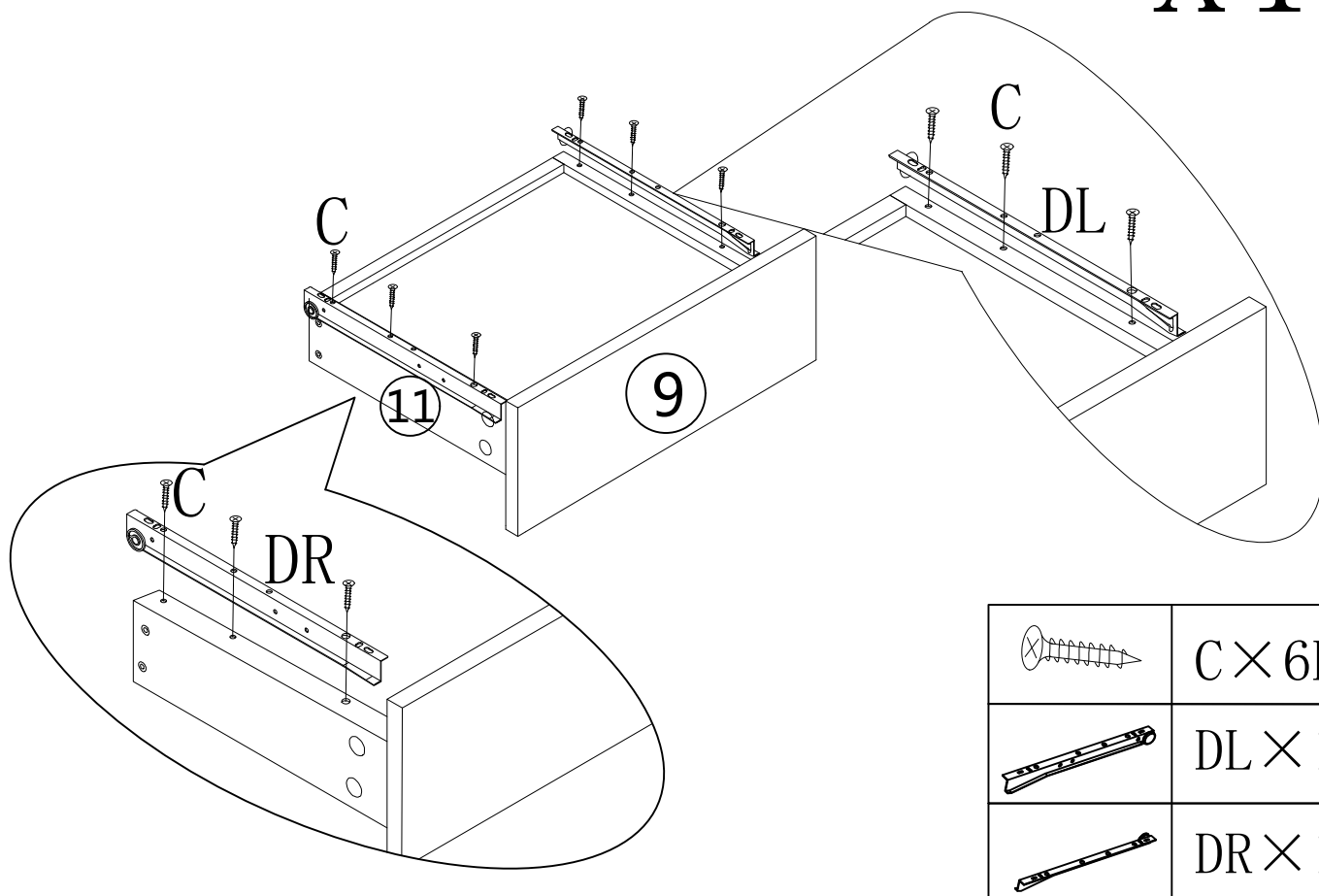
# X4

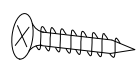




	A1 × 4PCS
	A2 × 4PCS
	L × 4PCS

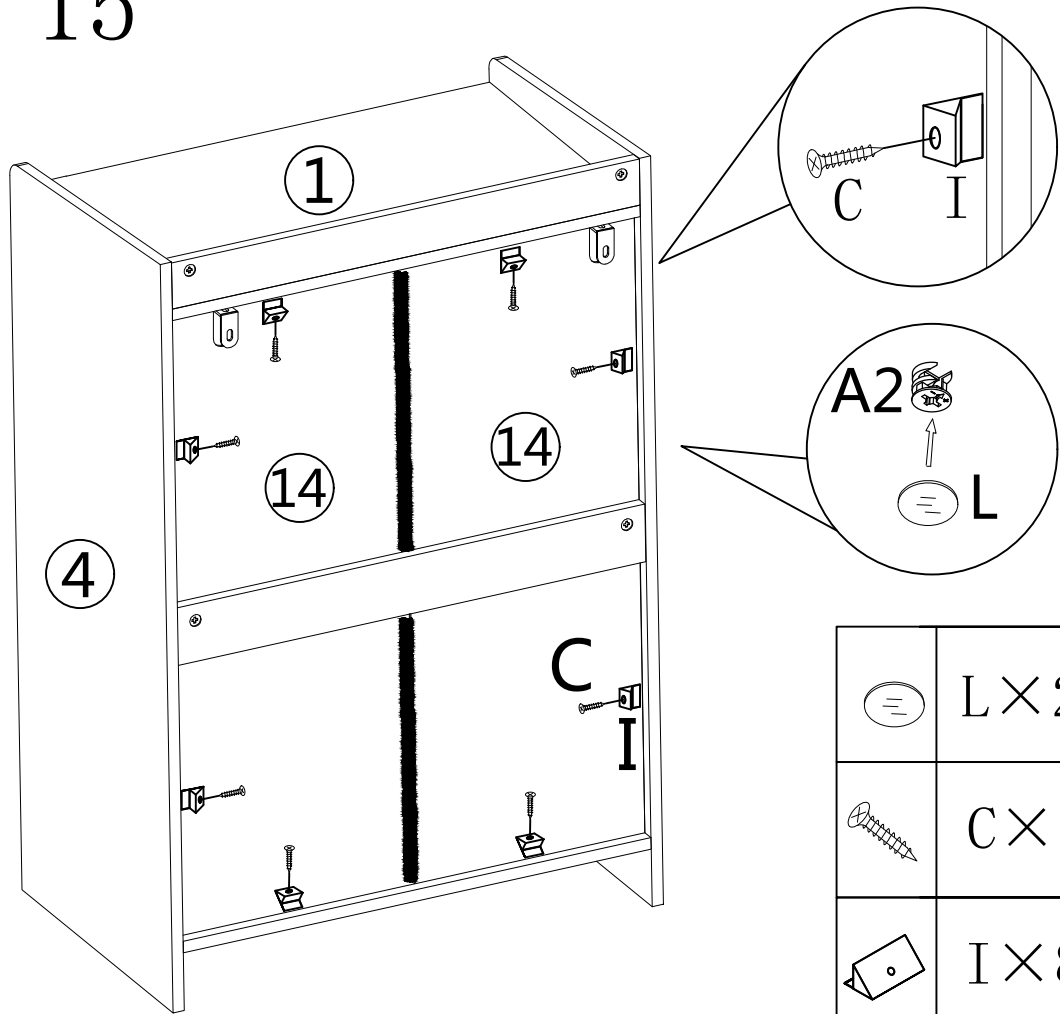
# STEP 14


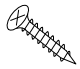

# X4



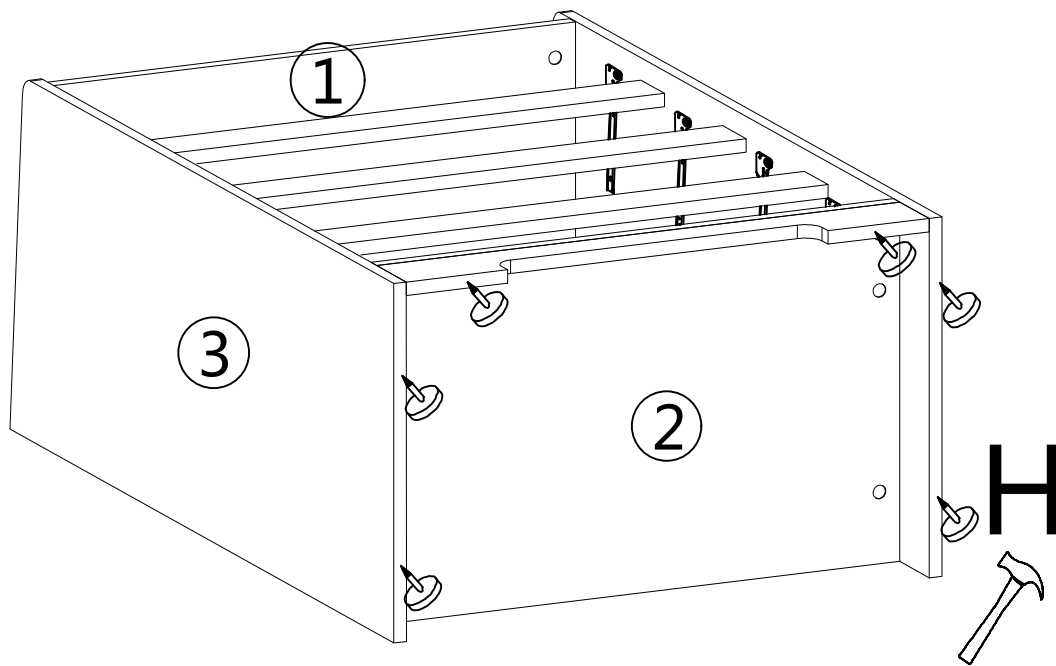
	C × 6PCS
	DL × 1PC
	DR × 1PC


# STEP 15



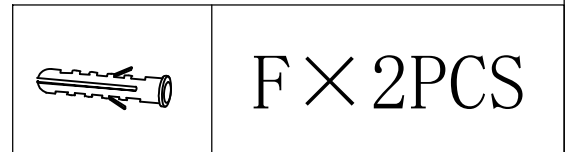
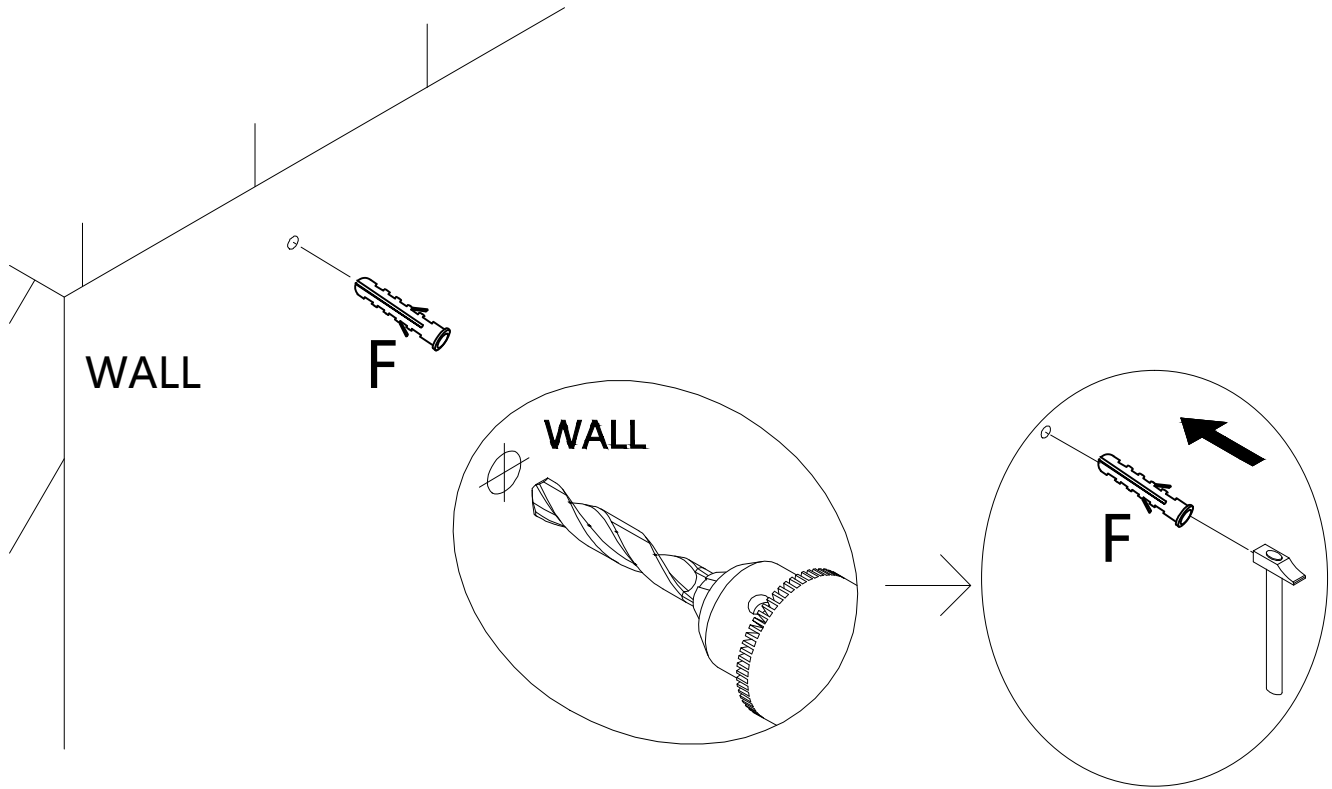
	L × 20PCS
	C × 8PCS
	I × 8PCS

# STEP 16

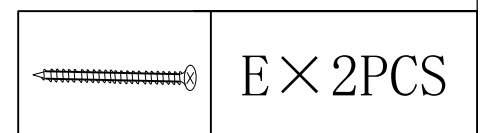
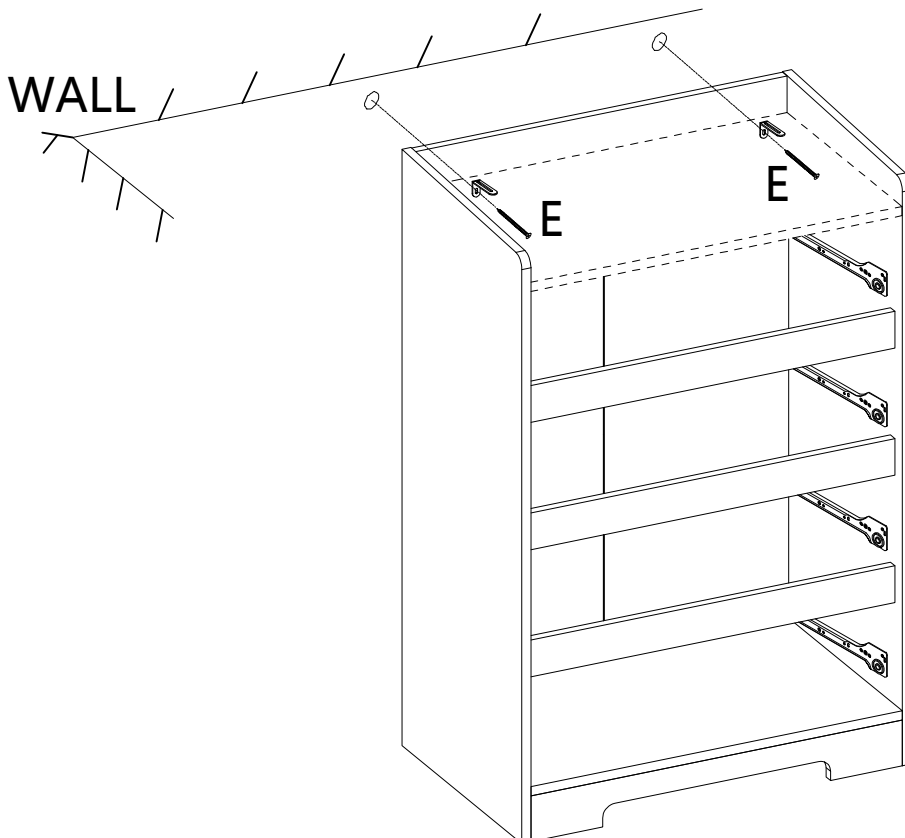


	H × 6PCS
---	----------

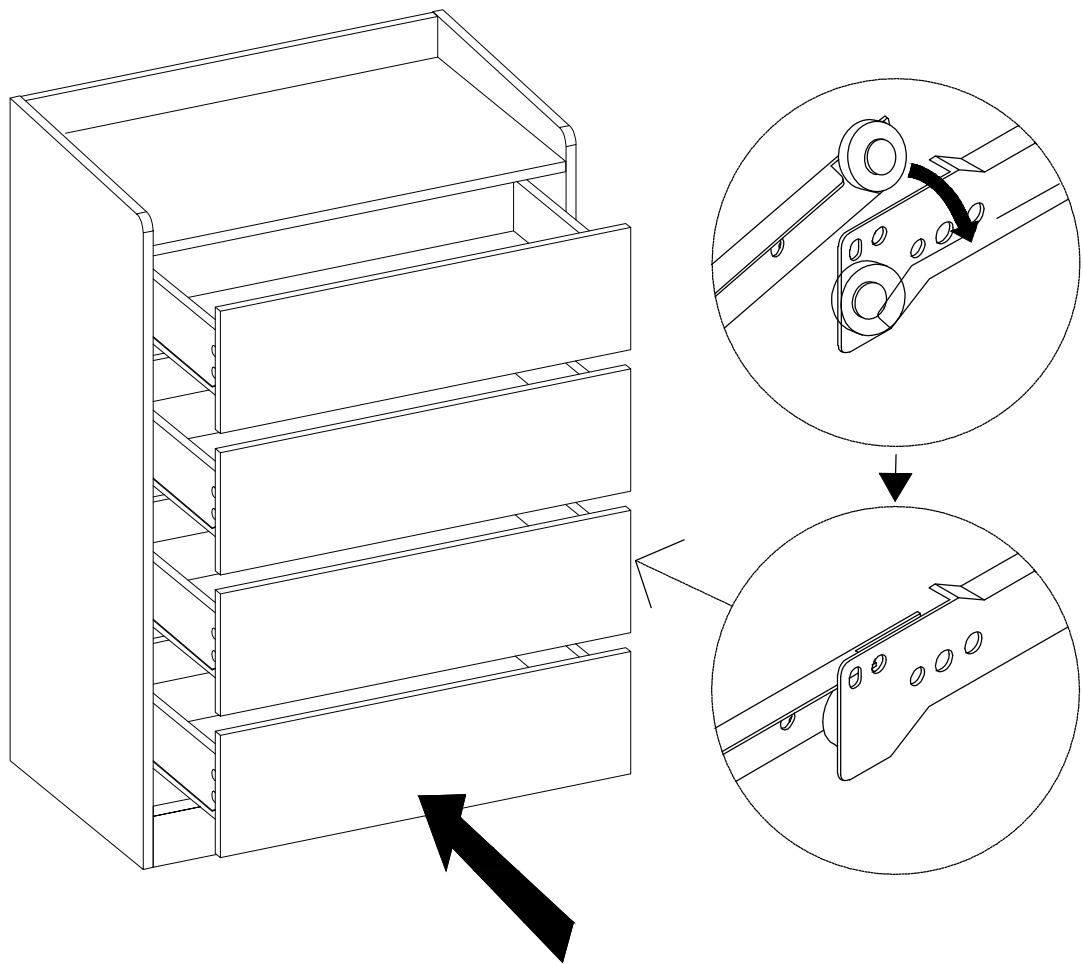
# STEP 17



# STEP 18



# STEP 19



END

