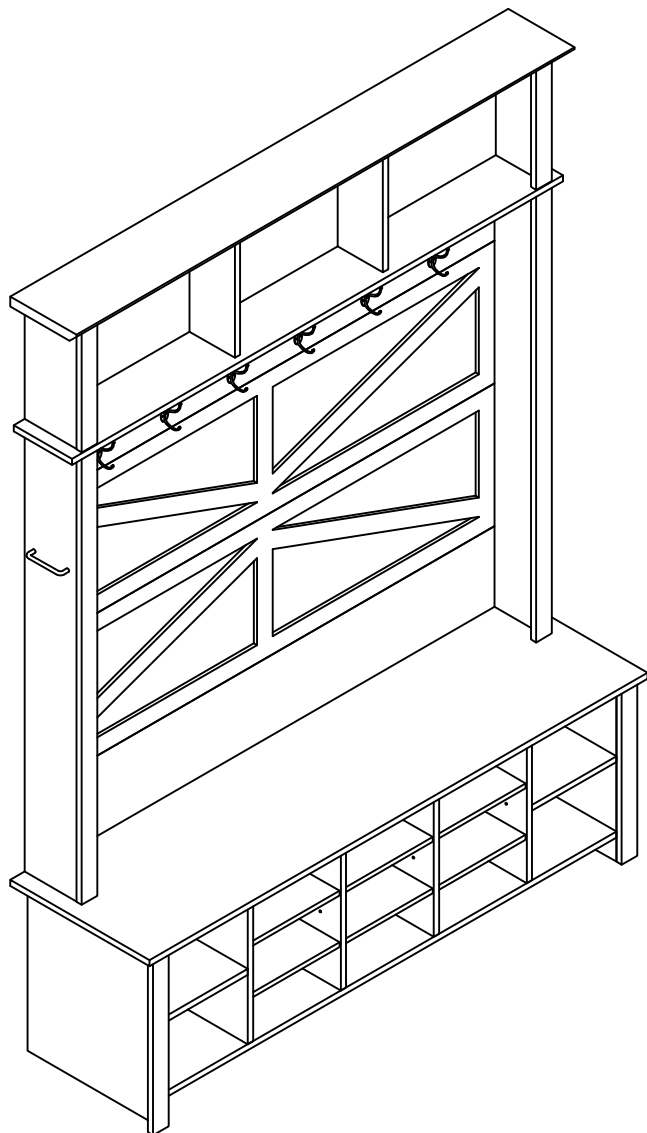


Hall Tree

Assembly Instructions -Please keep for future reference



Dimensions

Width-56.3 inch

Depth-15.8 inch



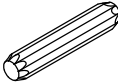



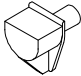


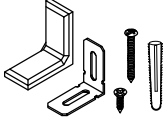




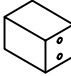
Height-74.8 inch

Important -Please read these instructions fully before starting assembly

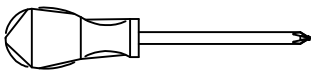
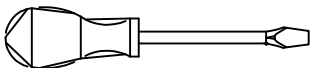
Components -Fittings

Please check you have all the panels listed below

Note: The quantities below are the correct amount to complete the assembly. In some cases more fittings may be supplied than are required.

<p>(A) </p> <p>Cam Bolt x 62+3</p>	<p>(B) </p> <p>Cam lock x62+3</p>	<p>(C) </p> <p>Dowel x 63+3</p>	<p>(D) </p> <p>3.5*14mm Screw x 12+1</p>
<p>(E) </p> <p>Clothes hook x 6</p>	<p>(F) </p> <p>Sticker Cover x 42+2</p>	<p>(G) </p> <p>Movable partition bracket x 24</p>	<p>(H) </p> <p>Plastic buckle x 12</p>
<p>(I) </p> <p>3*12mm Screw x 12</p>	<p>(J) </p> <p>Anti-tipping device X 2</p>	<p>(K) </p> <p>7*40mm Screw x 4+1</p>	<p>(L) </p> <p>7*50mm Screw x 20+2</p>
<p>(M) </p> <p>96mm Umbrella stand x 1</p>	<p>(N) </p> <p>4*25mm Screw x 2</p>	<p>(O) </p> <p>Wood legs x 2</p>	

Tools required



Phillips screwdriver
(medium & large)



Safety and Care Advice

Important – Please read these instructions fully before starting assembly

- Check you have all the components and tools listed on the following pages.
- Remove all fittings from the plastic bags and separate them into their groups.
- Keep children and animals away from the work area, small parts could choke if swallowed.
- Make sure you have enough space to layout the parts before starting.

- During assembly do not stand or put weight on the product, this could cause damage.
- Assemble the item as close to its final position (in the same room) as possible.
- Assemble on a soft level surface to avoid damaging the unit or your floor.
- Parts of the assembly will be easier with 2 people.



power drill is set on a low torque setting.

- To reduce the likelihood of damaging your product please ensure that your

Care and maintenance

- Only clean using a damp cloth and mild detergent, do not use bleach or abrasive cleaners.
- From time to time check that there are no loose screws on this unit.
- This product should not be discarded with household waste. Take to your local authority waste disposal centre.

Handy Hints

- Assemble all parts and bolts loosely during assembly, only once the product is complete should you fully tighten the bolts
- Regularly check and ensure That all bolts and fittings are tightend properly.

WARNING
In order to help prevent overturning – please follow these instructions

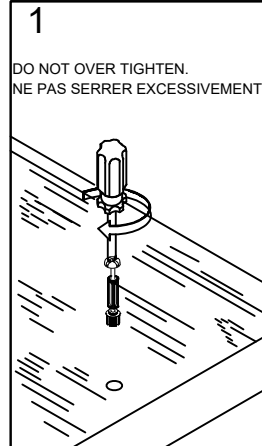
To help prevent product toppling over please follow the below steps:-

- Use the anti tip stap or wall fixing method provided (if applicable)
- Do not allow children to climb or hang on the furniture
- Do not open more than one drawer at a time
- Do not place heavy items in the top drawers
- Do not place heavy items on top of the furniture, unless the furniture has been designed for this purpose

Using Camlocks

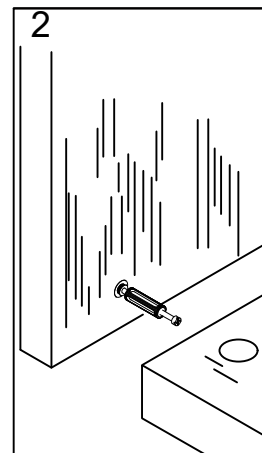
Step 1

Connect the male camlock as directed in the assembly instructions using a screwdriver.



Step 2

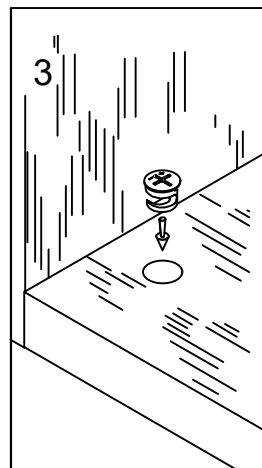
Push the male camlock into the entry hole.



Step 3

Insert the female camlock as shown in the instruction.

Note: ensure that the arrow on the top of the camlock points towards the entry hole for the male camlock.

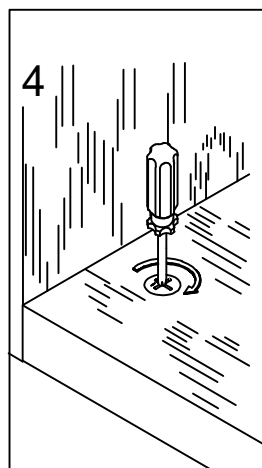


Step 4

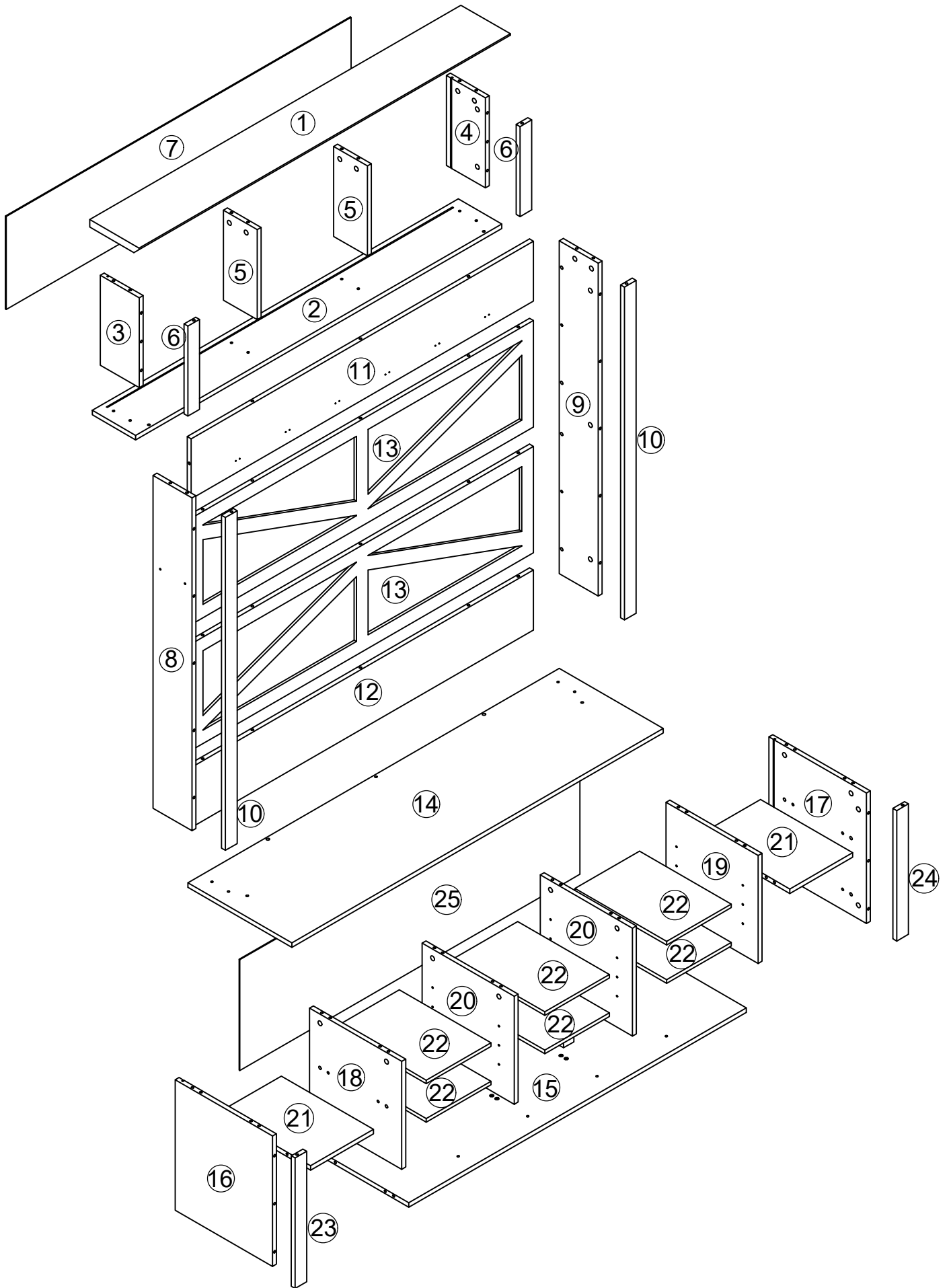
Turn the female camlock clockwise with a screwdriver.

You should feel a click when the camlock is locked in place.

The joint is now secure.

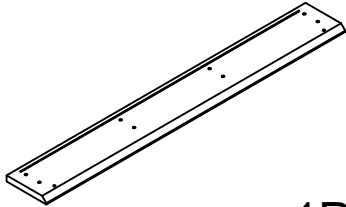


Assembly Instructions



①

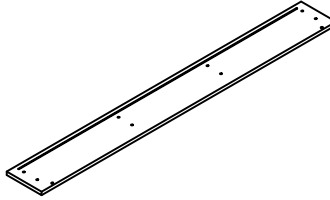
1430*190*25mm



1PS

②

1410*167*15mm



1PS

③

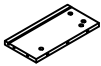
300*150*15mm



1PS

④

300*150*15mm



1PS

⑤

300*130*15mm



2PS

⑥

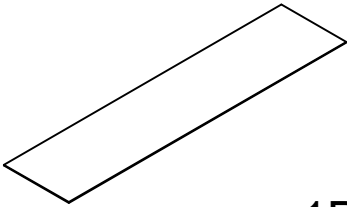
300*45*15mm



2PS

⑦

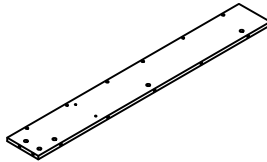
1328*310*3mm



1PS

⑧

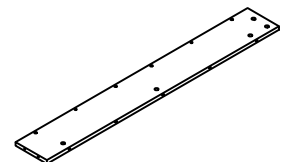
1110*150*15mm



1PS

⑨

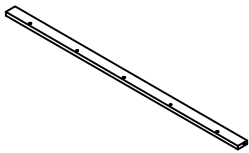
1110*150*15mm



1PS

⑩

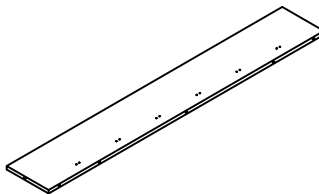
1110*45*15mm



2PS

⑪

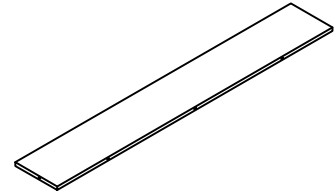
1318*200*15mm



1PS

⑫

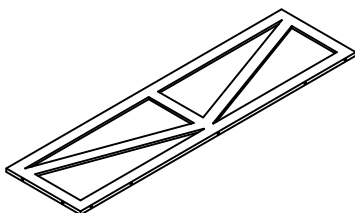
1318*200*15mm



1PS

⑬

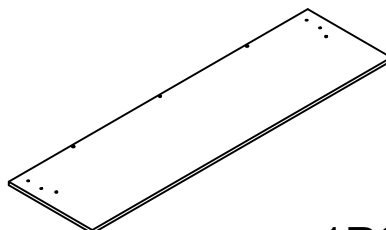
1318*355*15mm



2PS

⑭

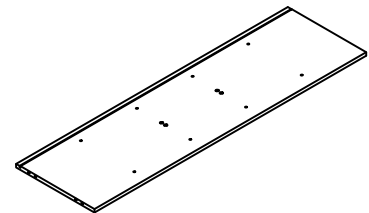
1430*400*15mm



1PS

⑮

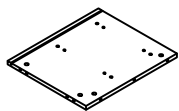
1300*375*15mm



1PS

16

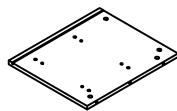
435*375*15mm



1PS

17

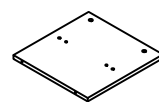
435*375*15mm



1PS

18

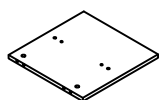
360*355*15mm



1PS

19

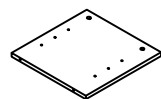
360*355*15mm



1PS

20

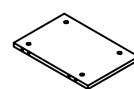
360*355*15mm



2PS

21

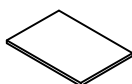
242*355*15mm



2PS

22

249*353*12mm



6PS

23

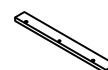
435*45*15mm



1PS

24

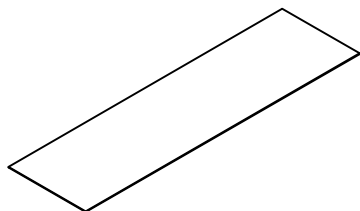
435*45*15mm



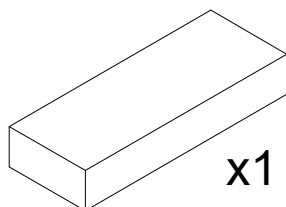
1PS

25

1310*370*3mm



1PS

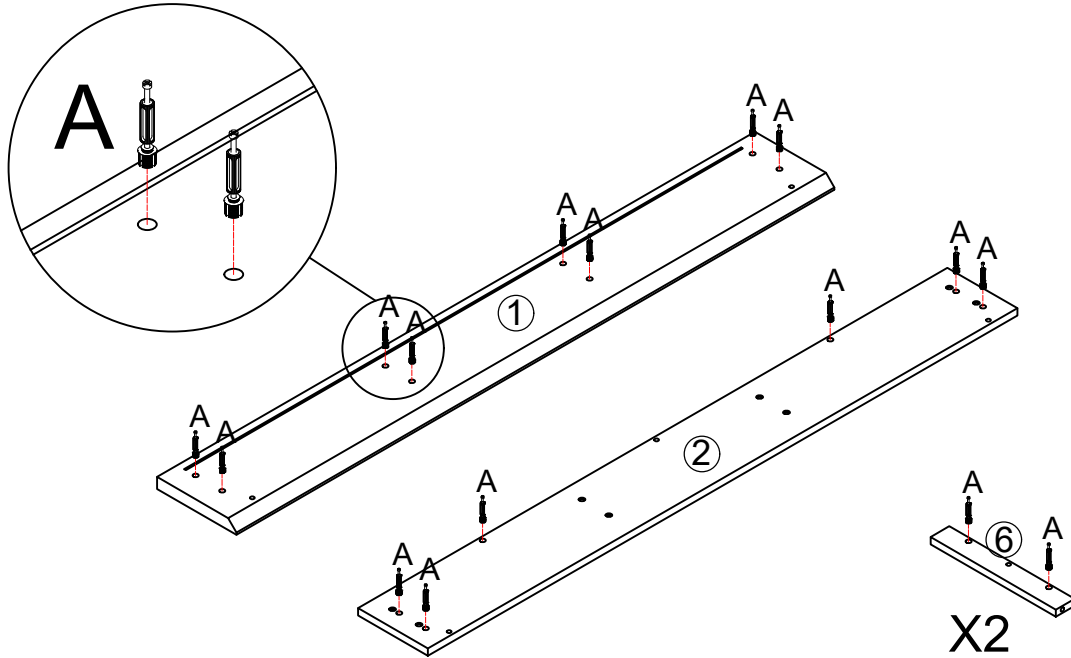


x1

Hardware Kit

Assembly Instructions

Step 1

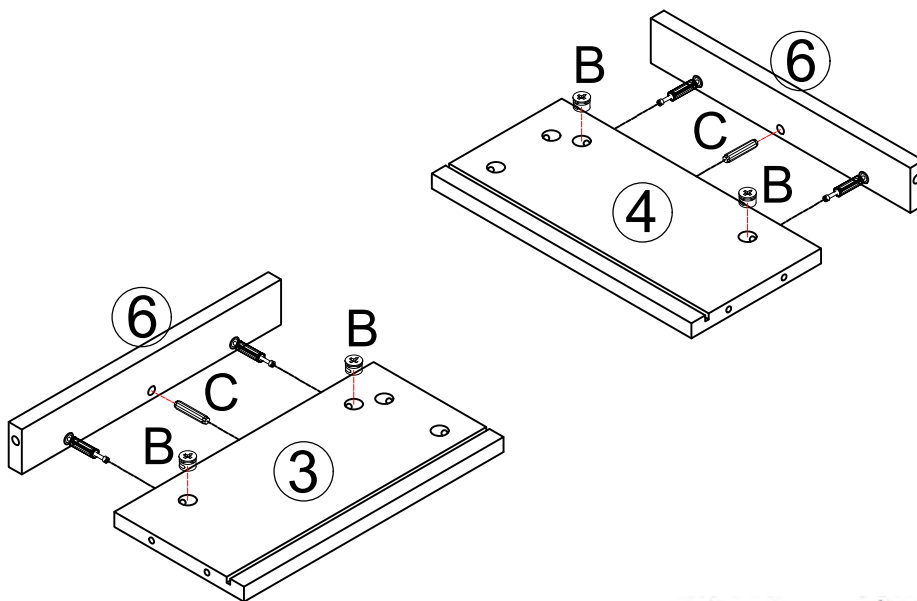


(A)



Cam Bolt x 18

Step 2

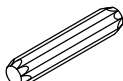


(B)

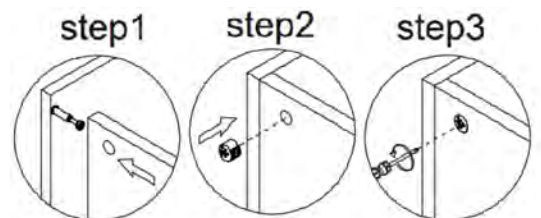


Cam lock x 4

(C)

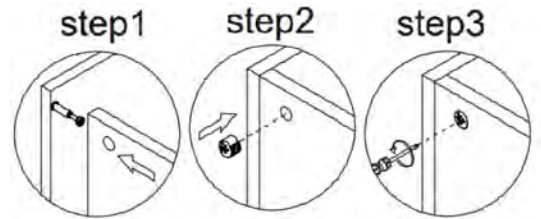
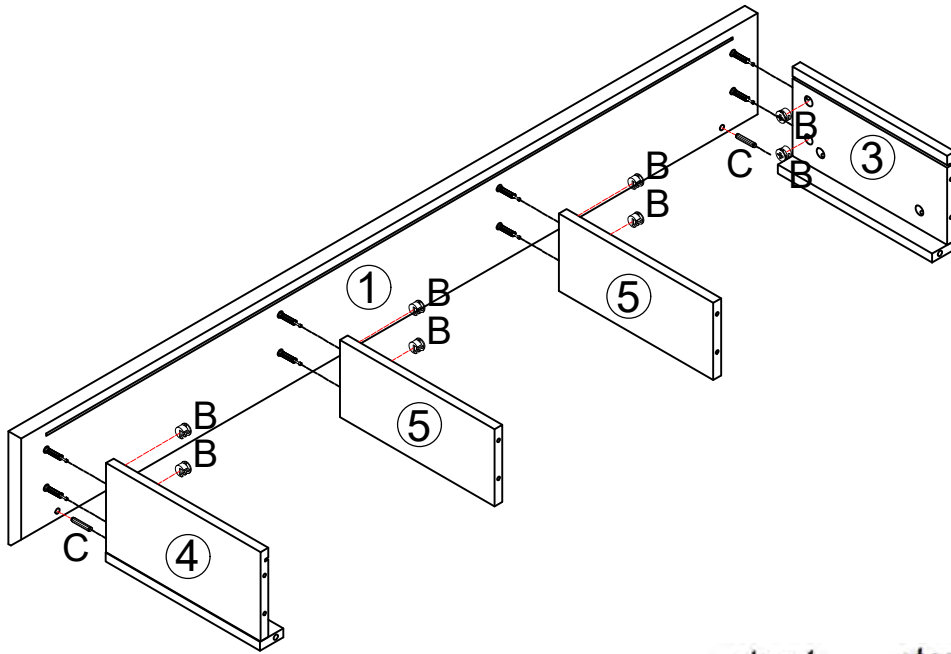


Dowel x 2



Assembly Instructions

Step 3

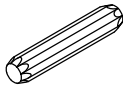


(B)



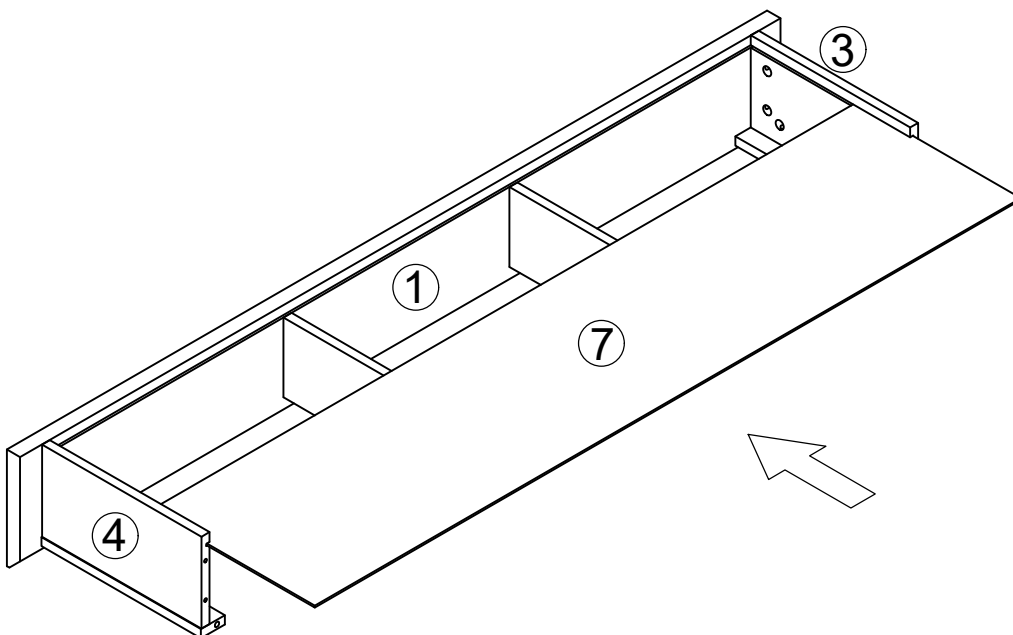
Cam lock x 8

(C)



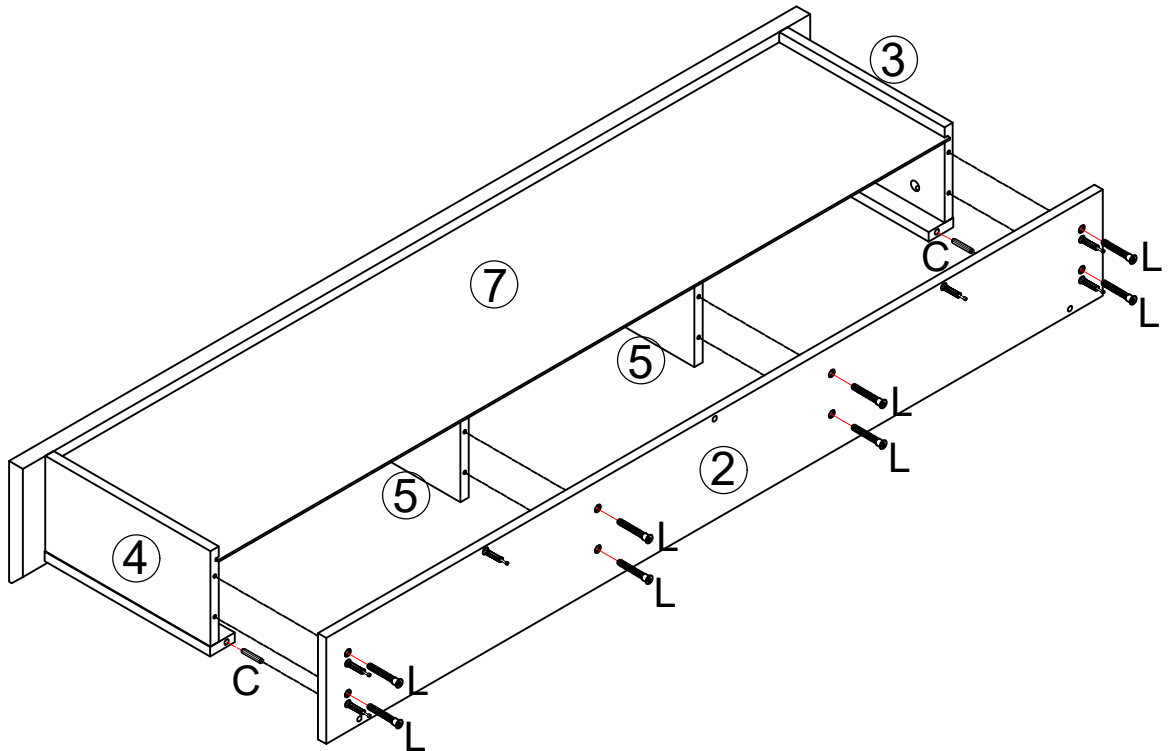
Dowel x 2

Step 4

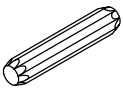


Assembly Instructions

Step 5



Ⓒ



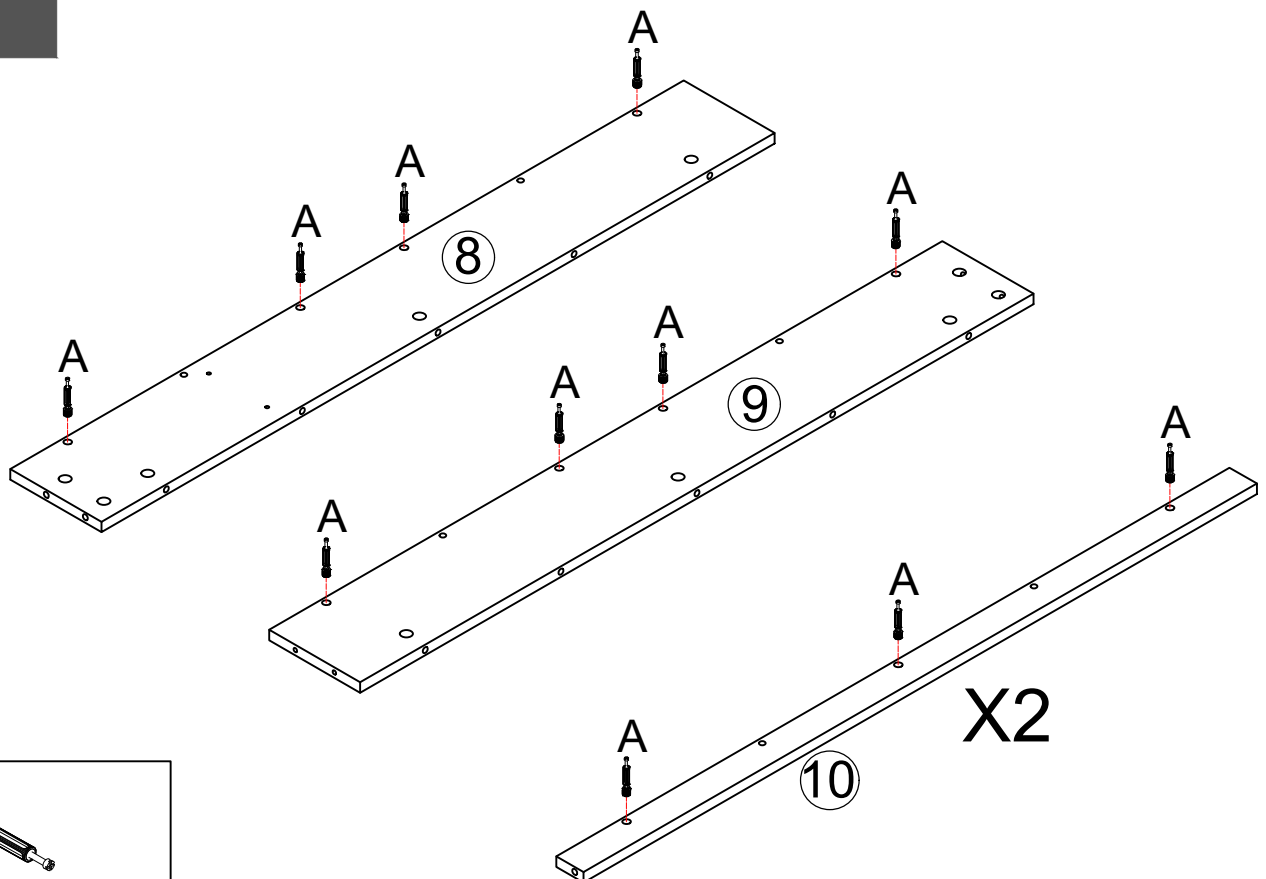
Dowel x 2

Ⓕ

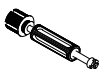


7*50mm Screw x 8

Step 6



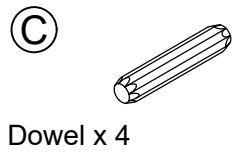
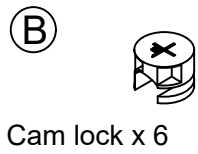
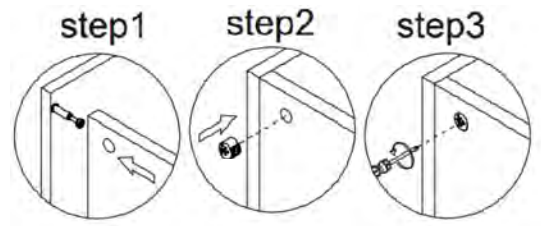
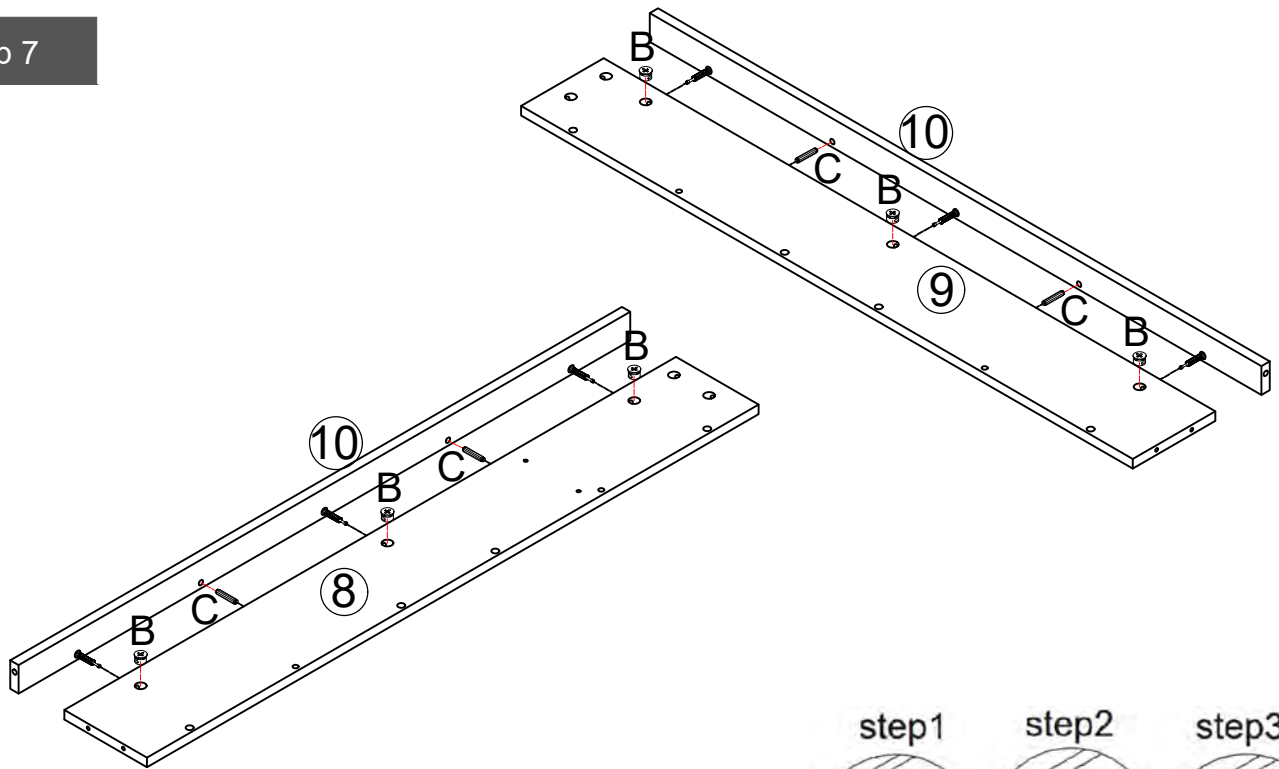
Ⓐ



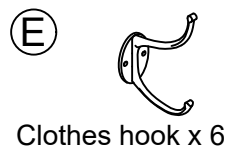
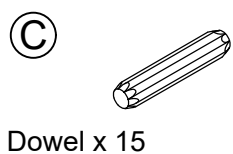
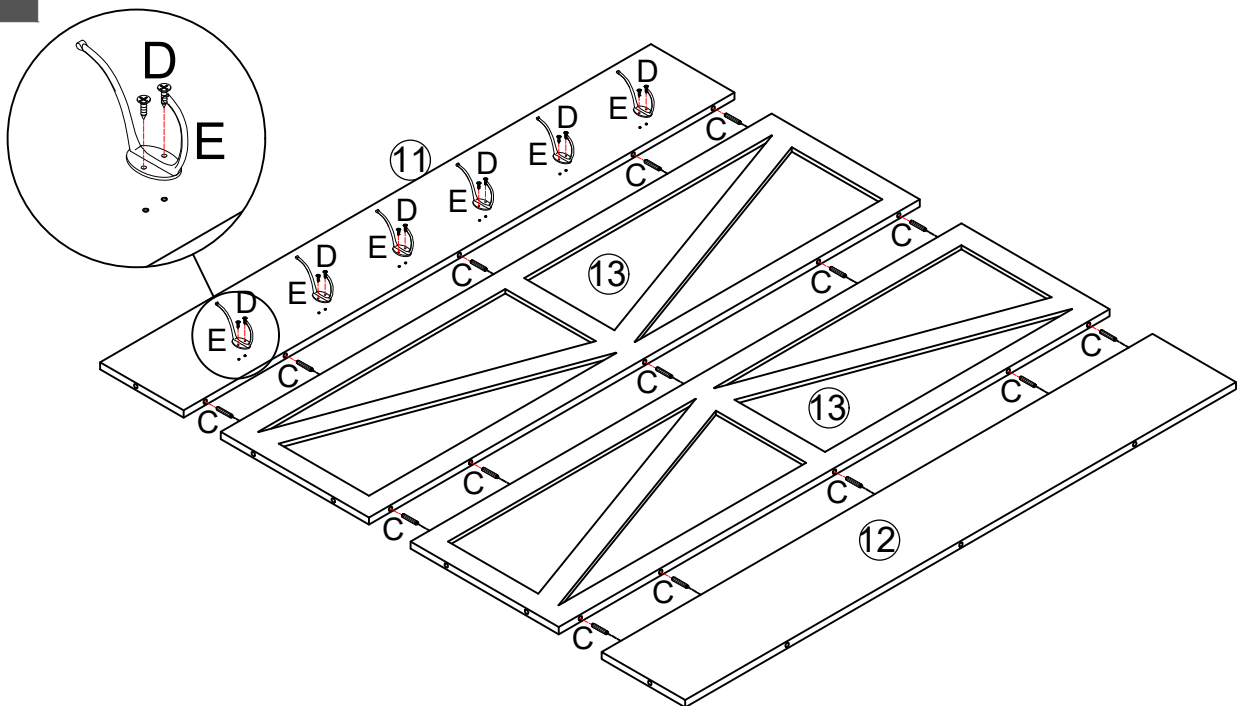
Cam Bolt x 14

Assembly Instructions

Step 7

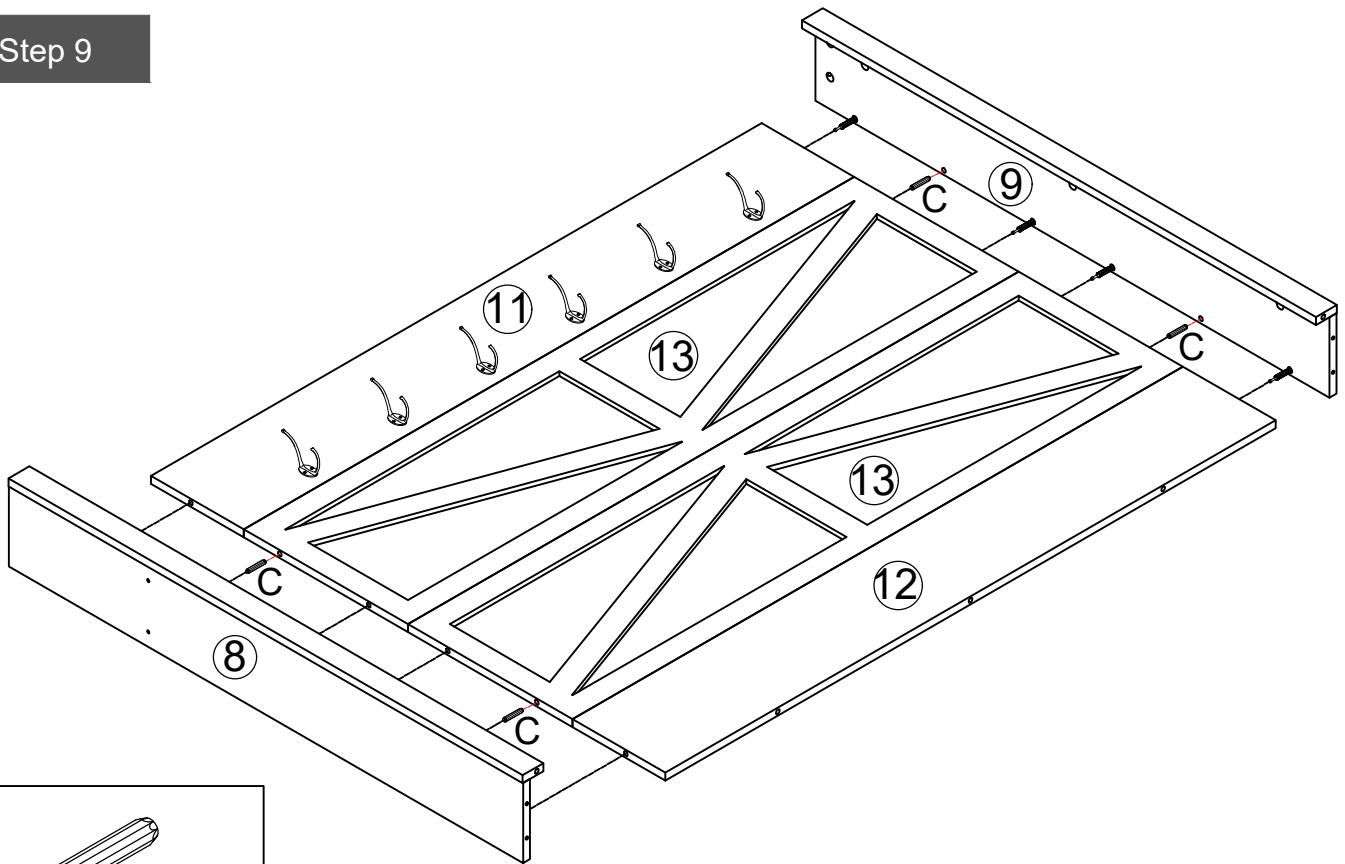


Step 8

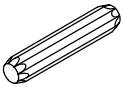


Assembly Instructions

Step 9

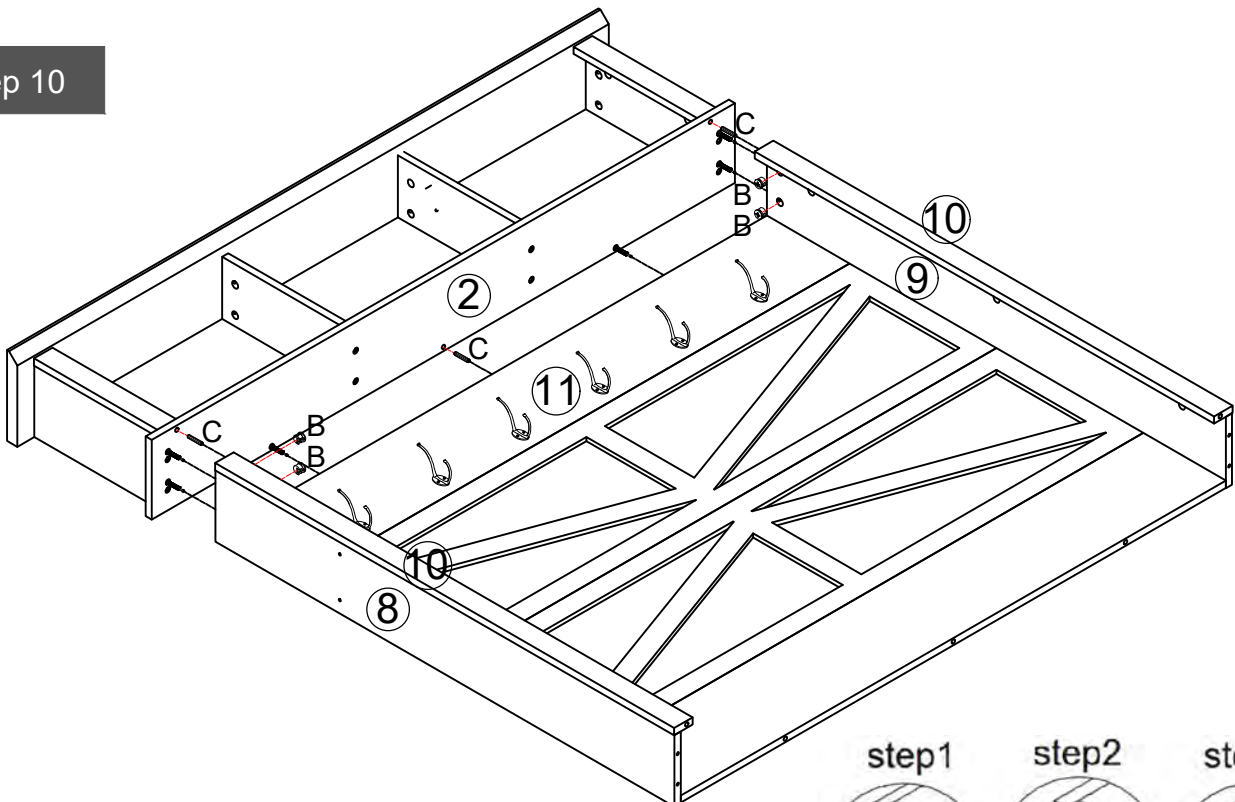


(C)



Dowel x 4

Step 10

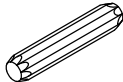


(B)



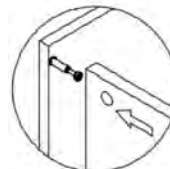
Cam lock x 4

(C)

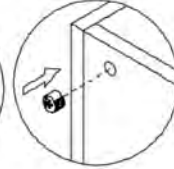


Dowel x 3

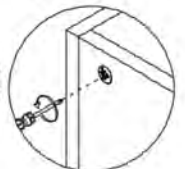
step1



step2

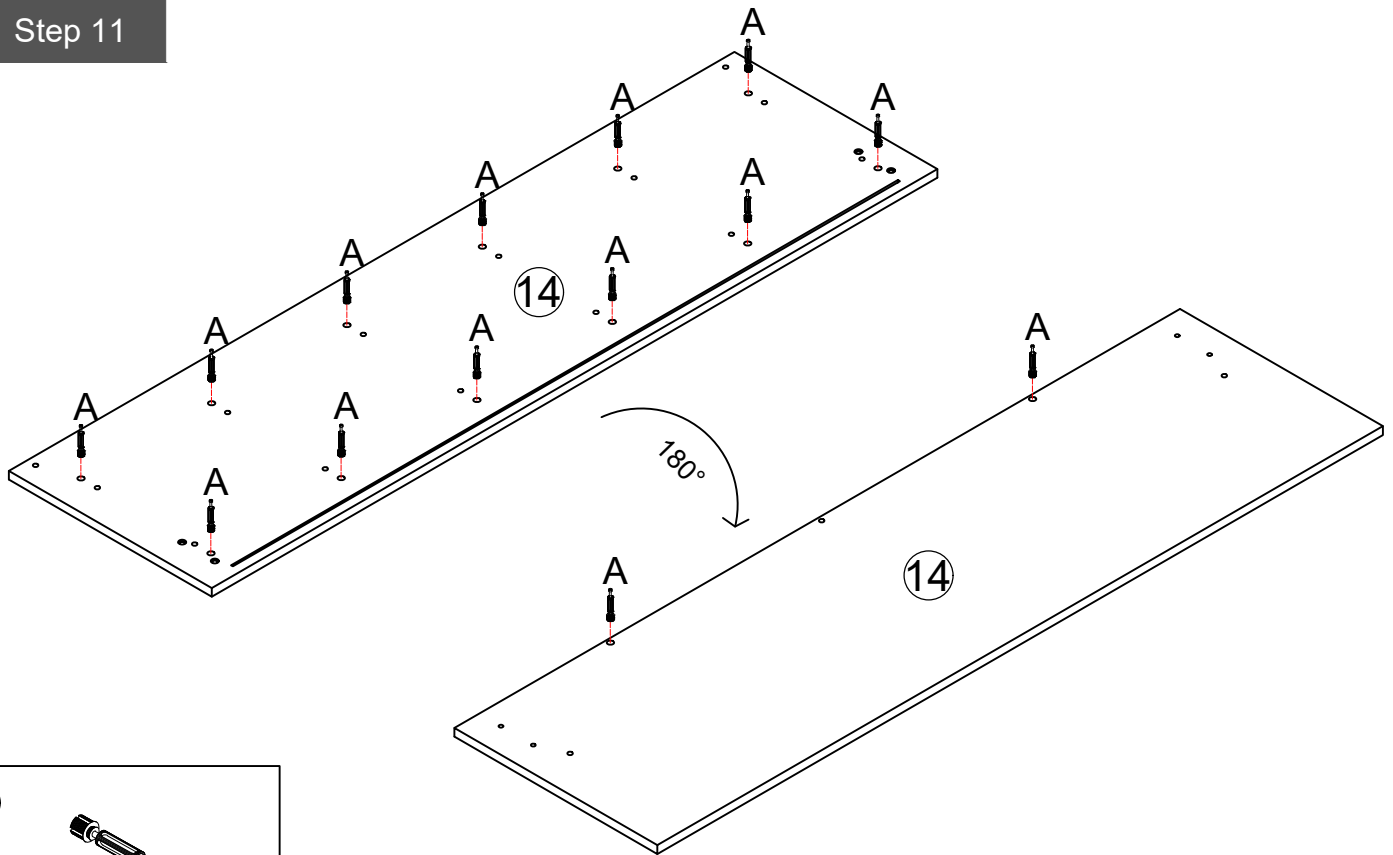


step3



Assembly Instructions

Step 11

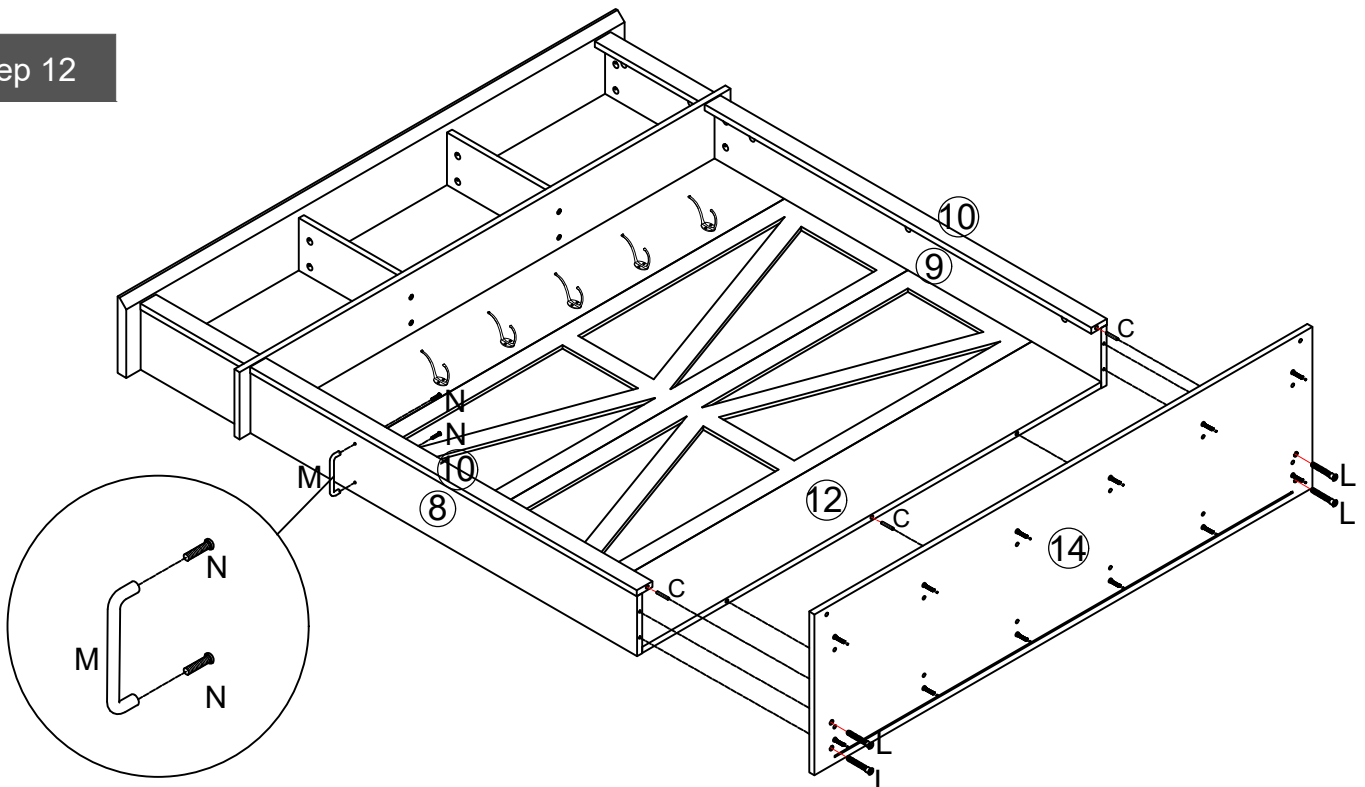


(A)

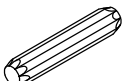


Cam Bolt x 14

Step 12



(C)



Dowel x 3

(L)



7*50mm Screw x 4

(M)



96mm Umbrella stand x 1

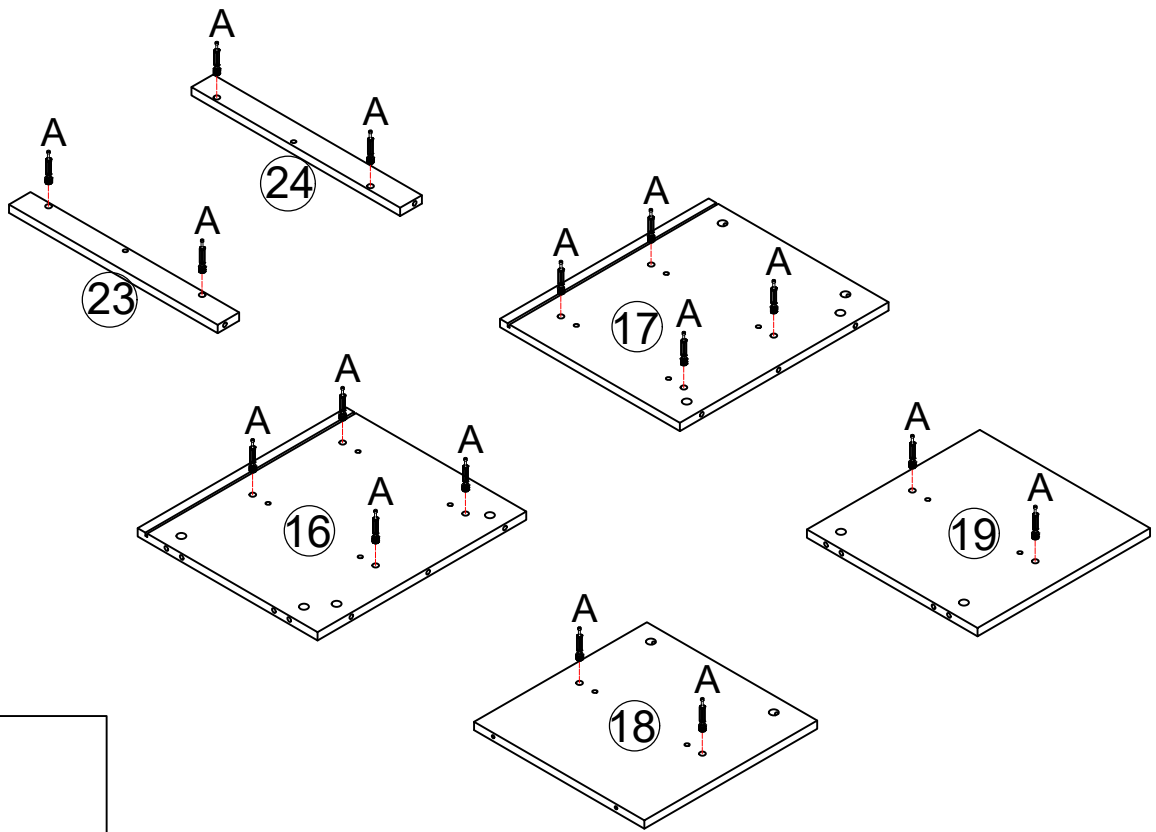
(N)



4*25mm Screw x 2

Assembly Instructions

Step 13

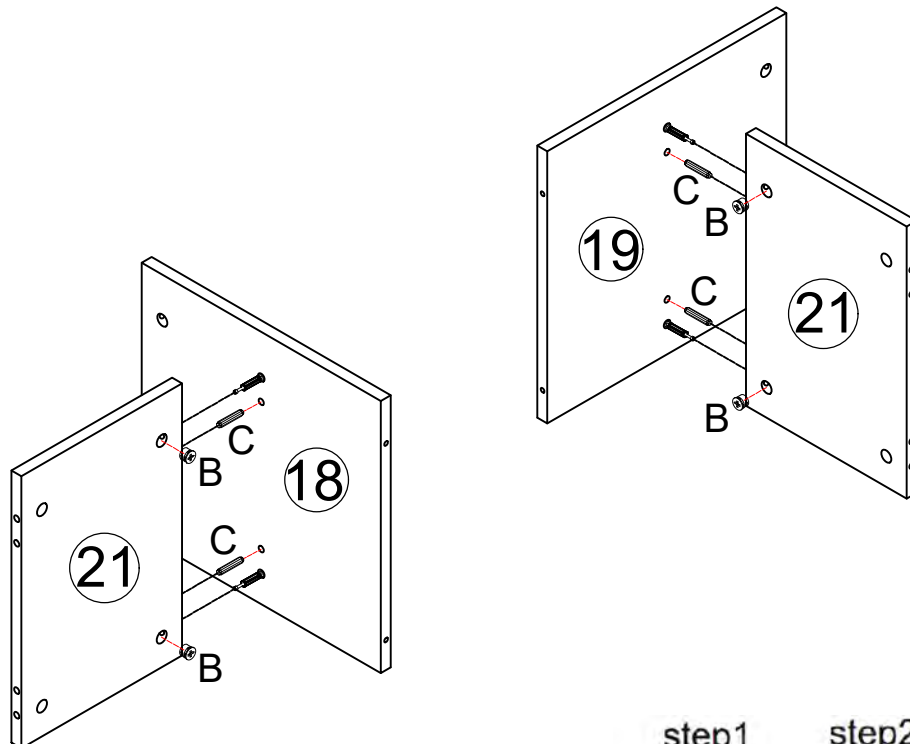


(A)



Cam Bolt x 16

Step 14

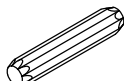


(B)



Cam lock x 4

(C)

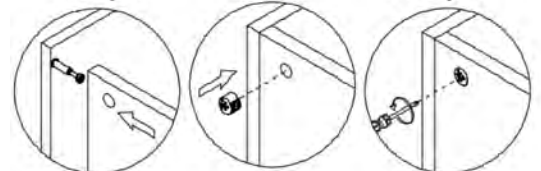


Dowel x 4

step1

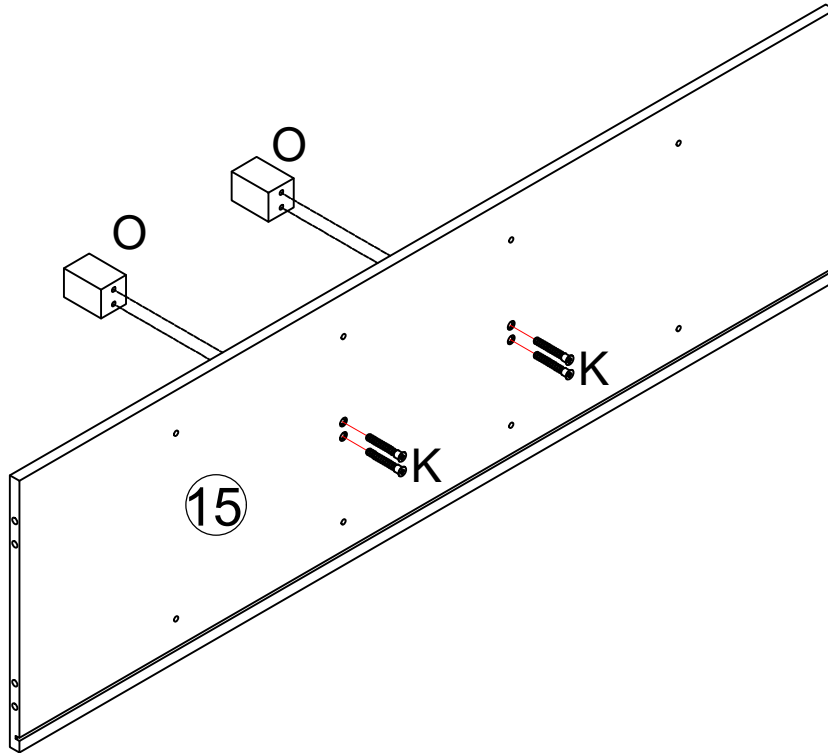
step2

step3



Assembly Instructions

Step 15



(K)



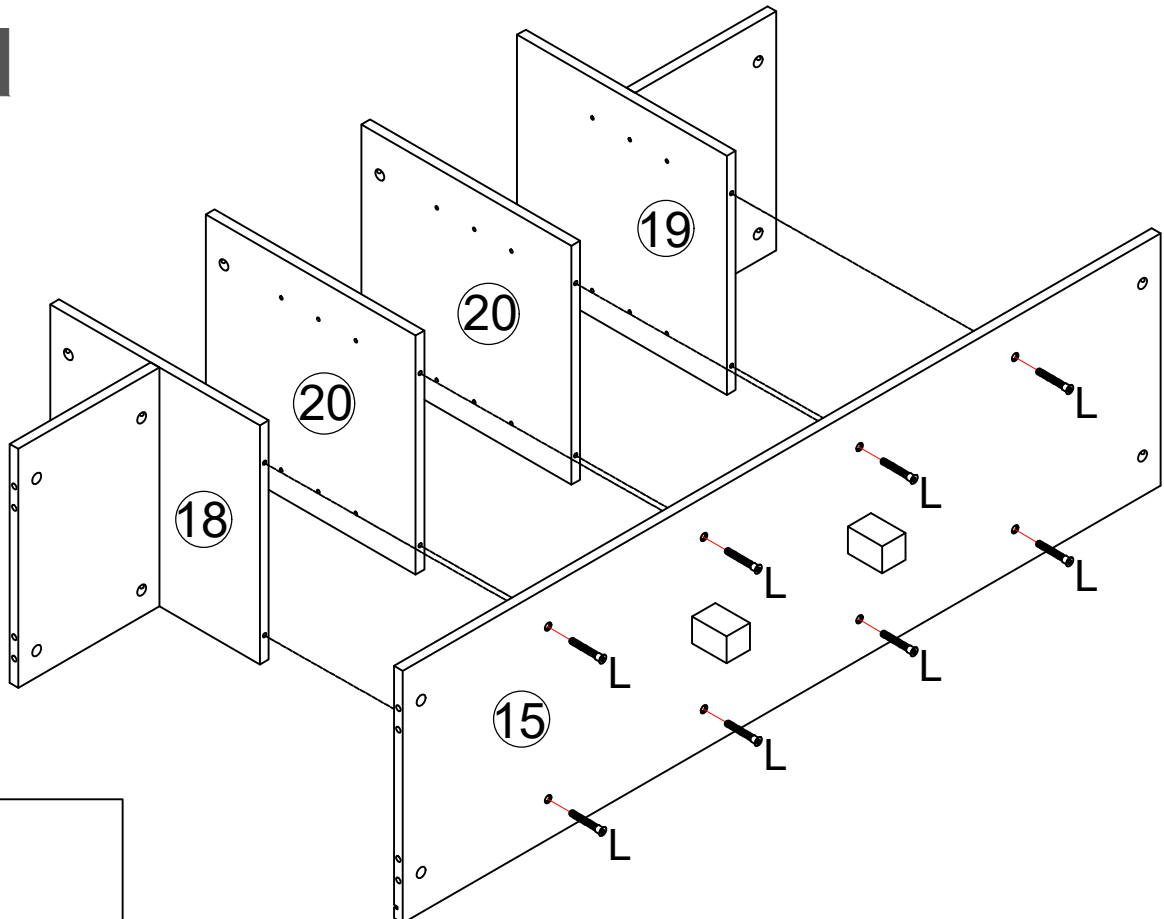
7*40mm Screw x 4

(O)



Wood legs x 2

Step 16



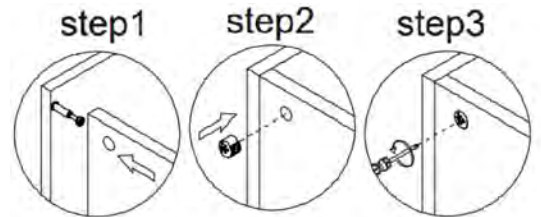
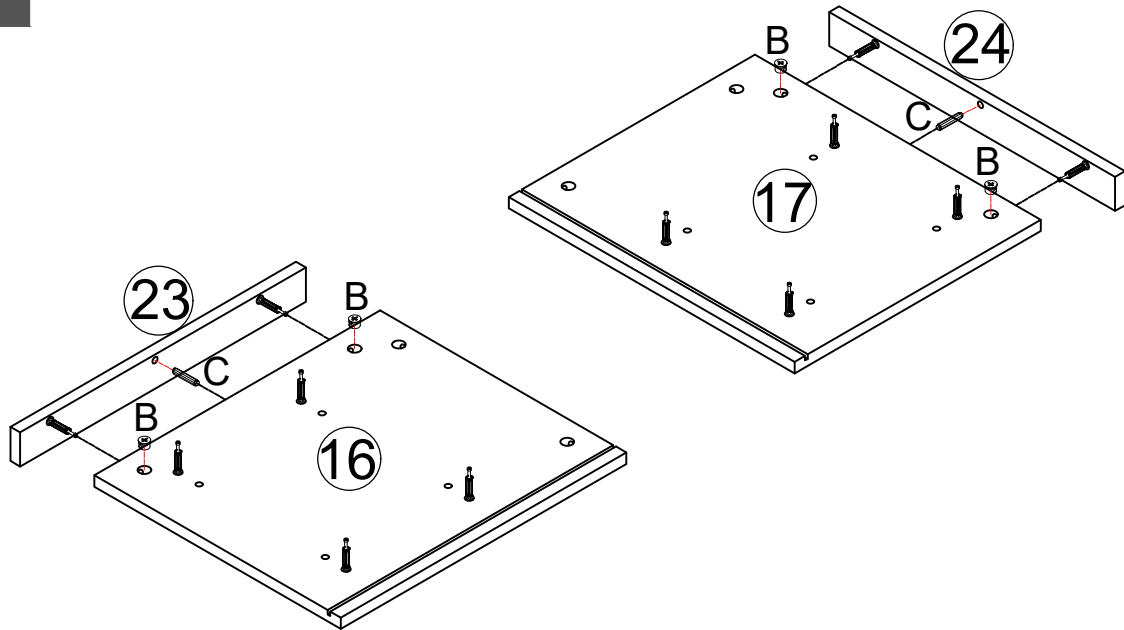
(L)



7*50mm Screw x 8

Assembly Instructions

Step 17

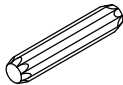


(B)



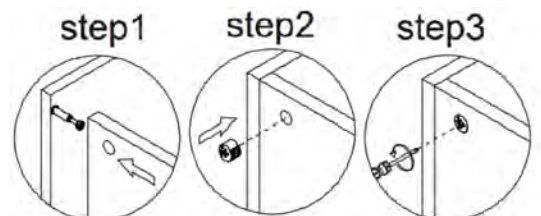
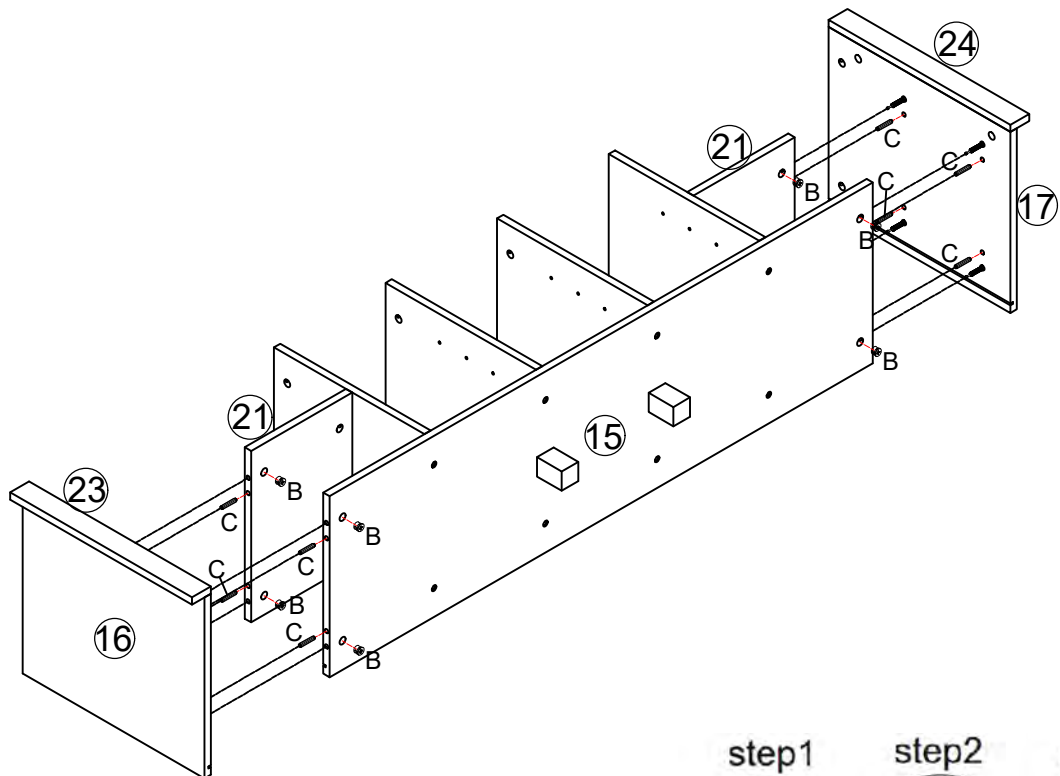
Cam lock x 4

(C)



Dowel x 2

Step 18

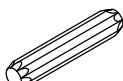


(B)



Cam lock x 8

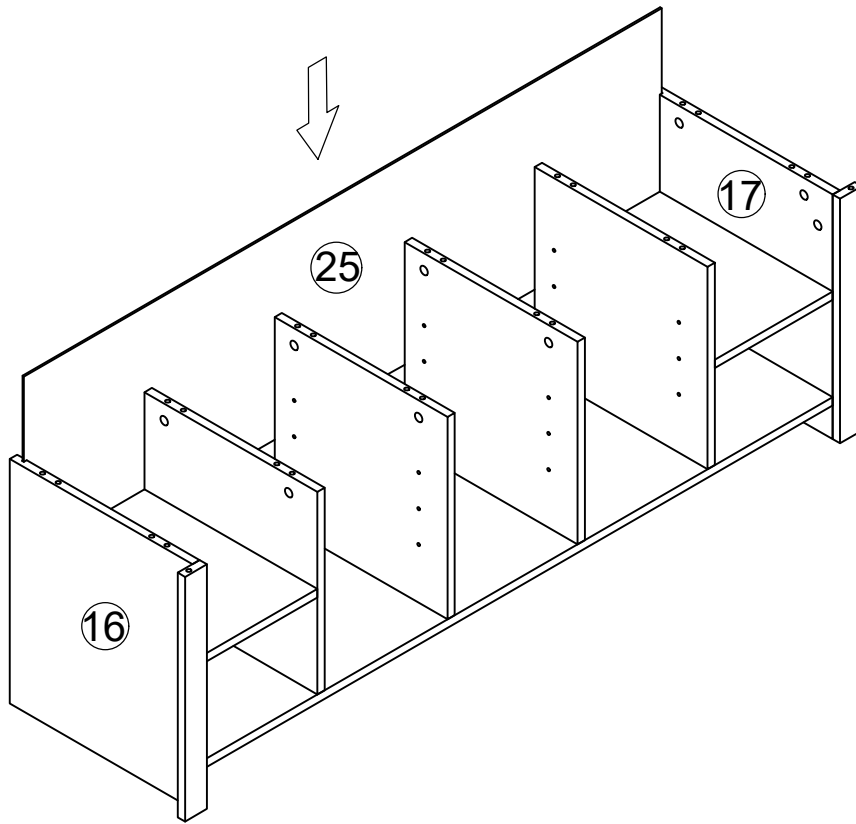
(C)



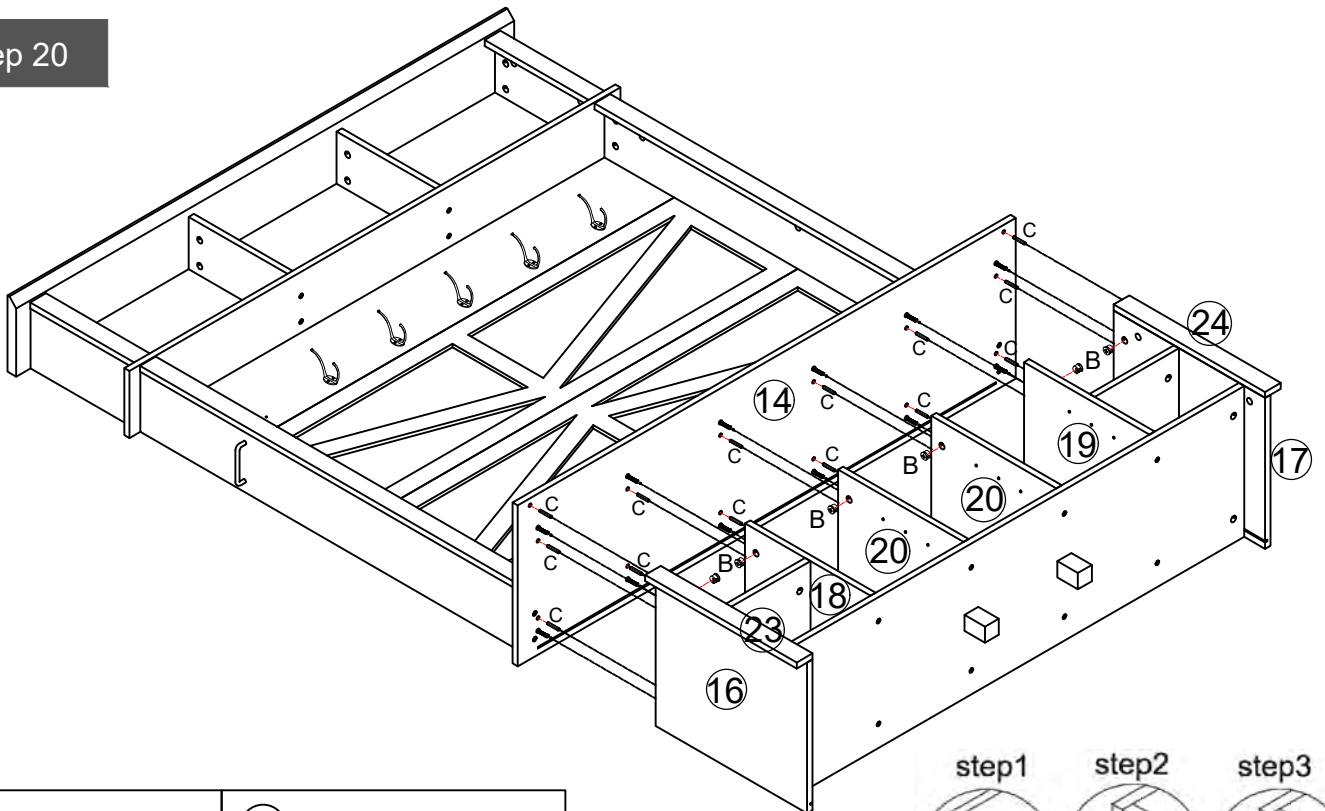
Dowel x 8

Assembly Instructions

Step 19



Step 20

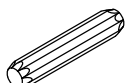


(B)



Cam lock x 12

(C)

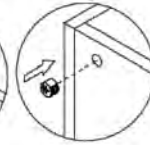


Dowel x 14

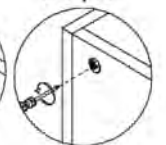
step1



step2



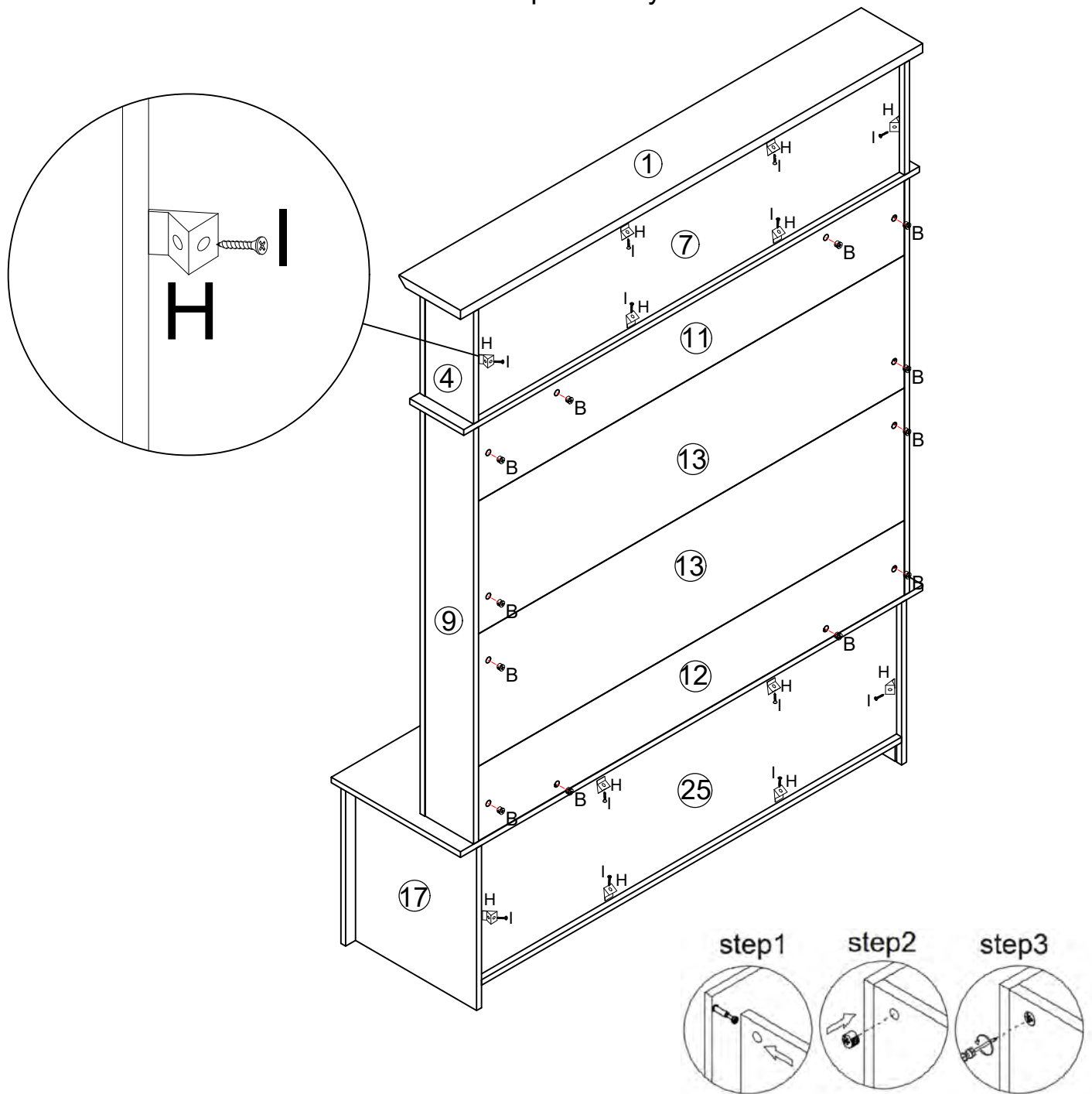
step3



Assembly Instructions

Step 21

This step requires two people to work together to flip.
Please flip carefully.



(B)



Cam lock x 12

(H)



Plastic buckle x 12

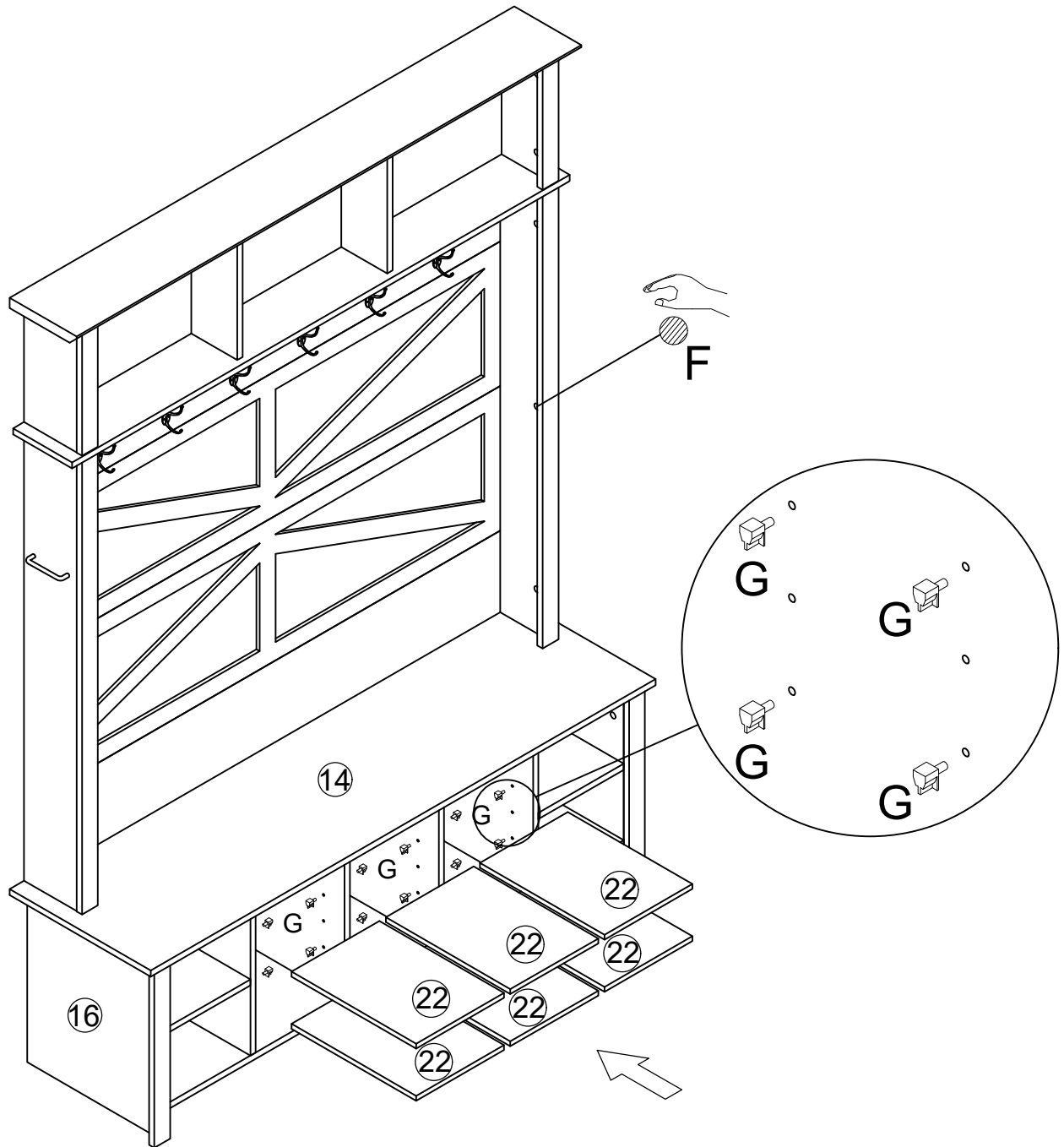
(I)



3*12mm Screw x 12

Assembly Instructions

Step 22



(F)



Sticker Cover x 42

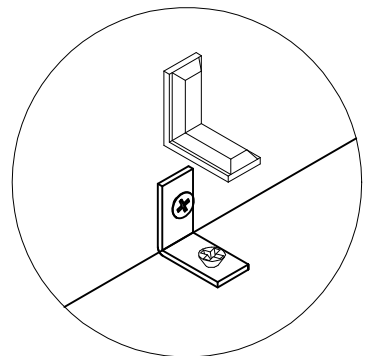
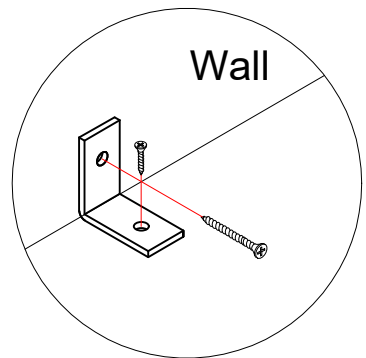
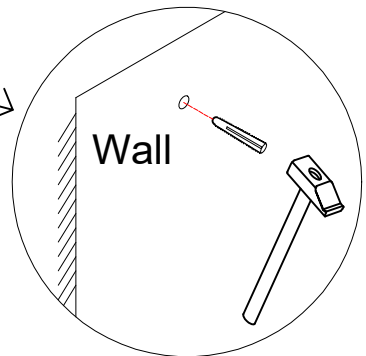
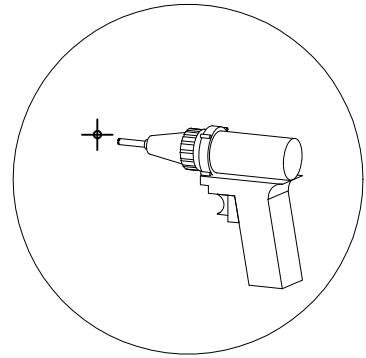
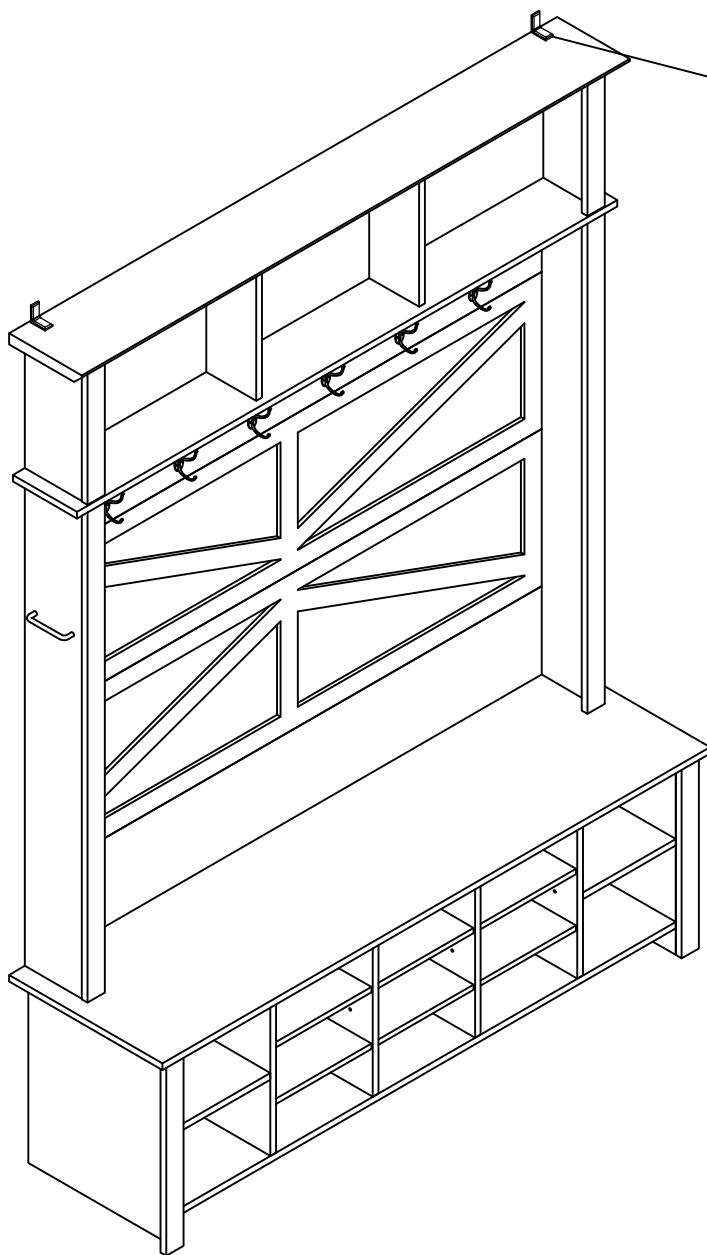
(G)



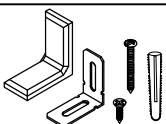
Movable partition bracket x 24

Assembly Instructions

Step 23



J



Anti-tipping device X 2

Assembly Instructions

