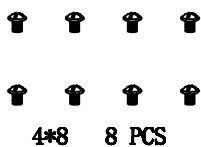
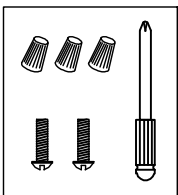
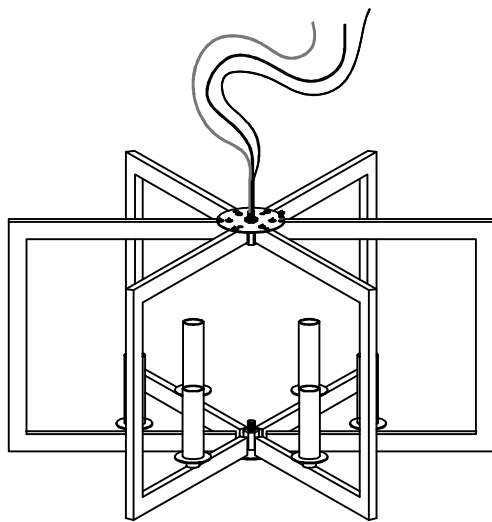
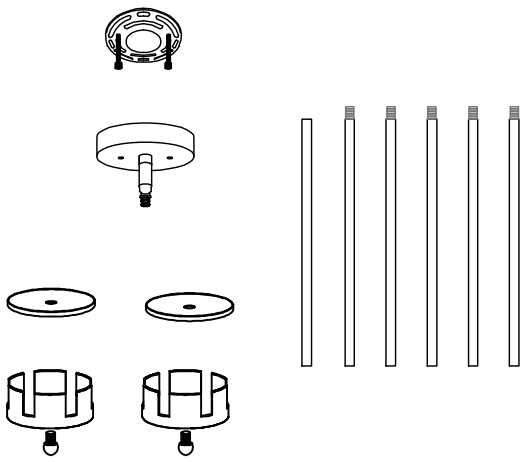
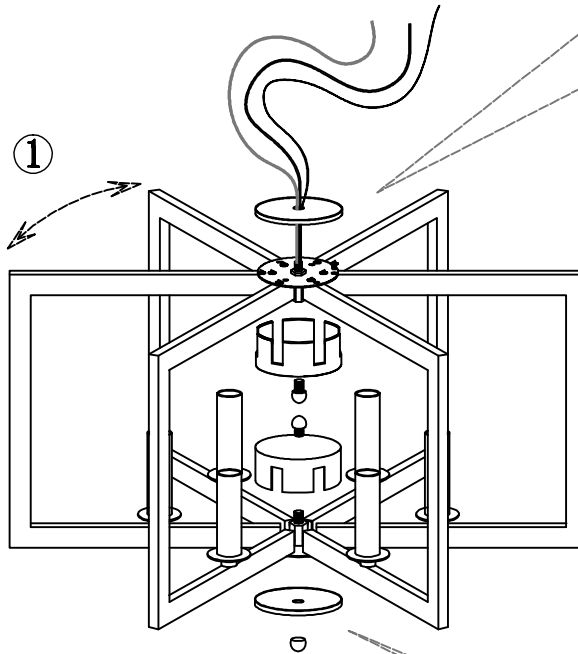


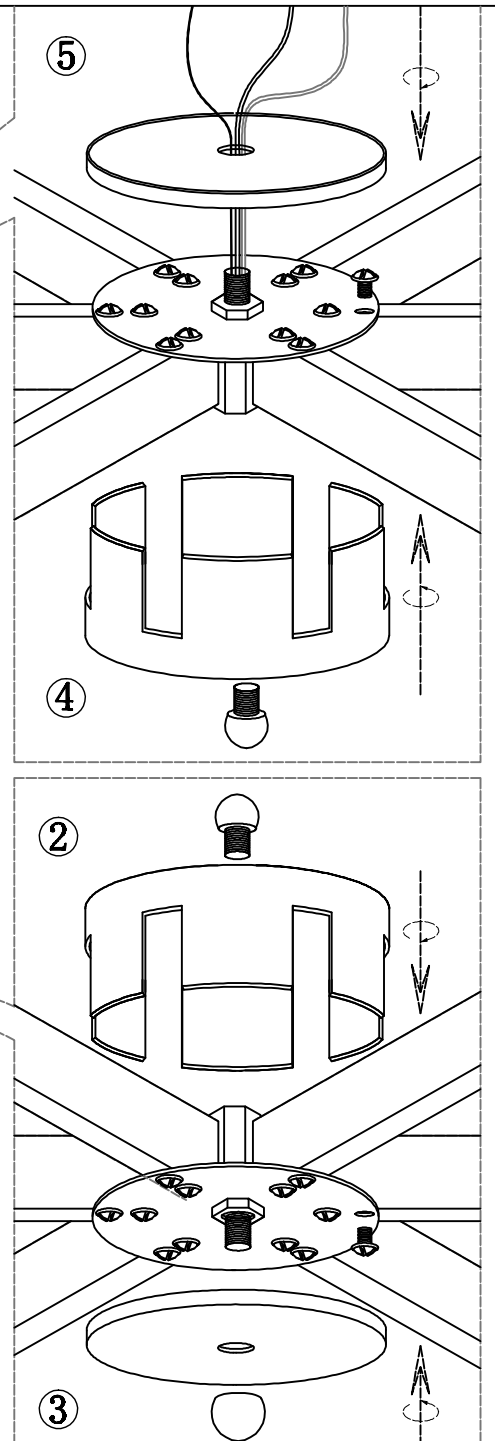
# Parts



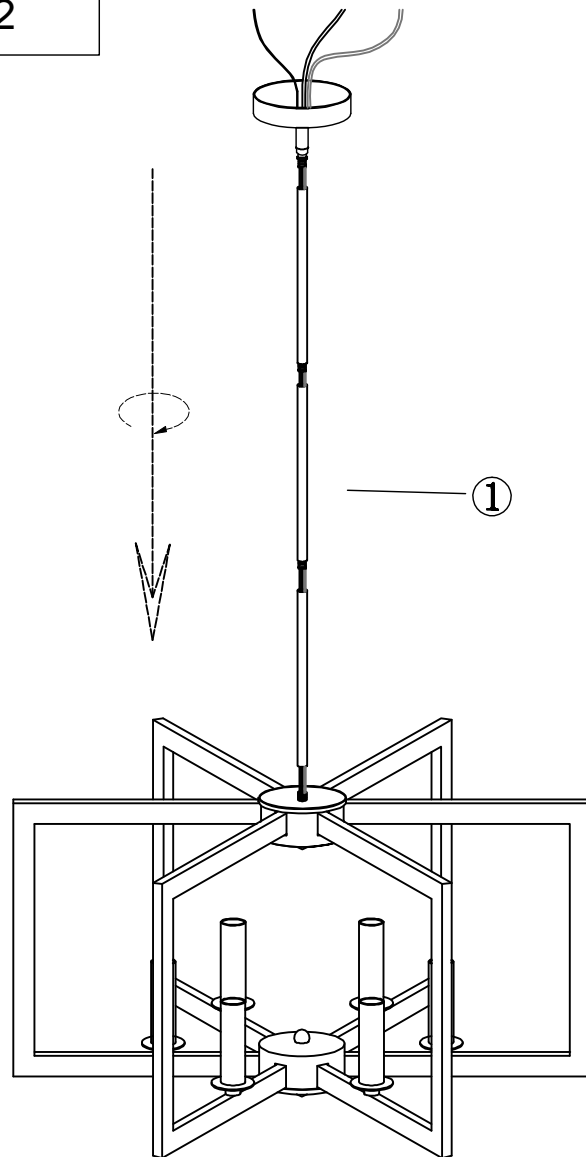
# steps 1



1. Adjust the position of the frame as shown in the picture, fix it with screws up and down.
2. Let the wire go through the top plate 5, close the bottom cover with bolt screw 4.
3. Close the bottom box 2 and plate with end cap 3.

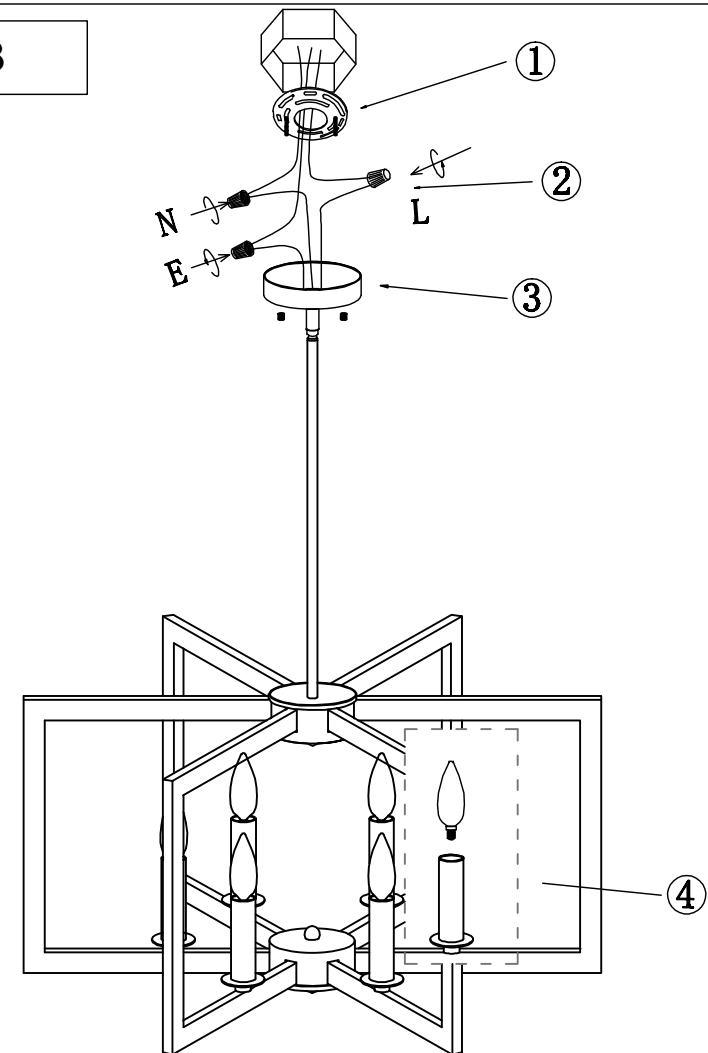


## steps 2



1. Let the wire go through the hanging tube 1, rotate to install the tube to the fixture, let the wire go through the canopy, rotate to install the canopy to the fixture.  
(can connect more tubes to get the height of the light you need)

## steps 3



1. Install the bracket to the ceiling junction box with screw 1.  
2. Connect the wire to your home line with cap connectors 2.  
3. Install the light fixture to the bracket with cap nuts 3.  
4. Install the bulb.