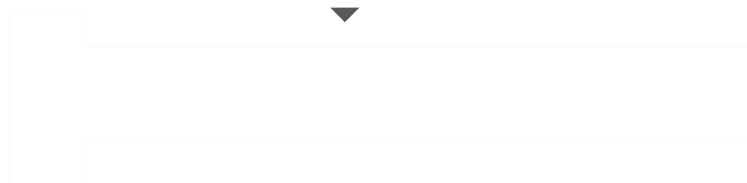
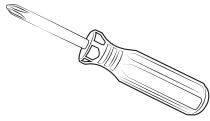


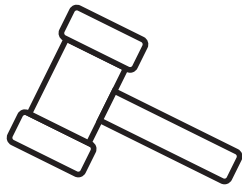
User Manual



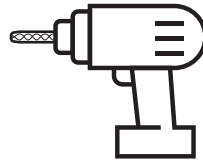
TOOLS REQUIRED



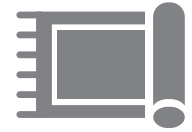
Phillips screwdriver
(Not included)



Hammer
(Not included)



Drill
(Not included)



Protective blanket
(Not included)



ATTENTION

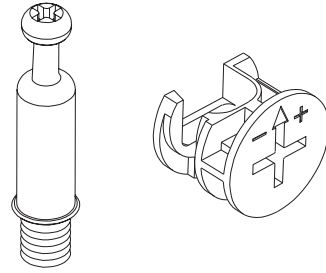
Keep children and pets away while assembling.



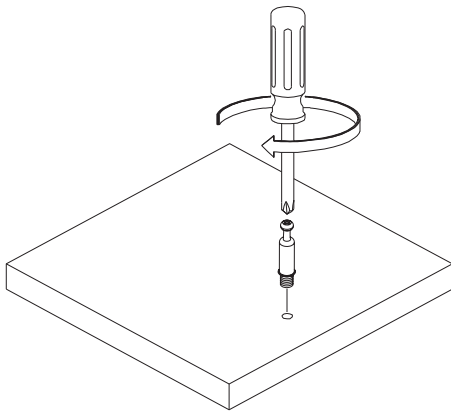
How to use cam locks

CAM LOCK FASTENING SYSTEM

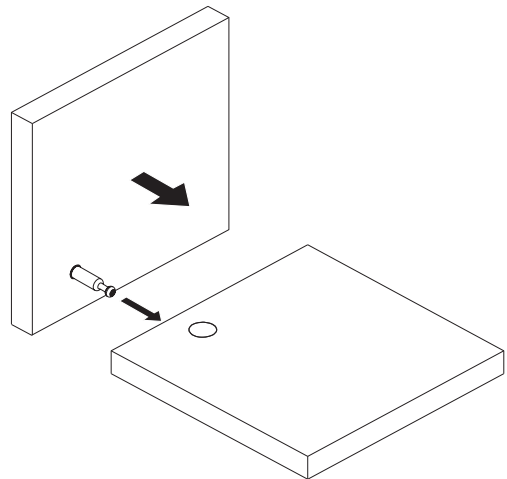
This Cam Lock Fastening System will be used throughout the assembly process.



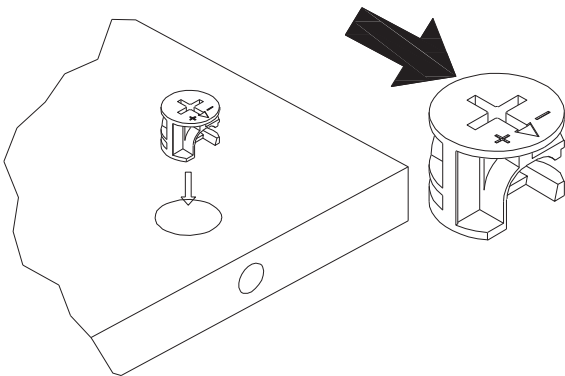
1



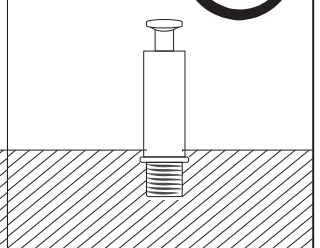
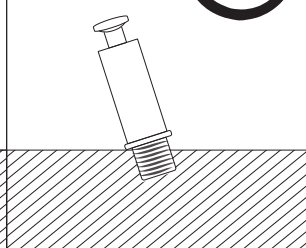
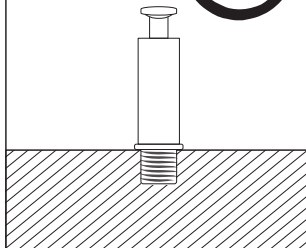
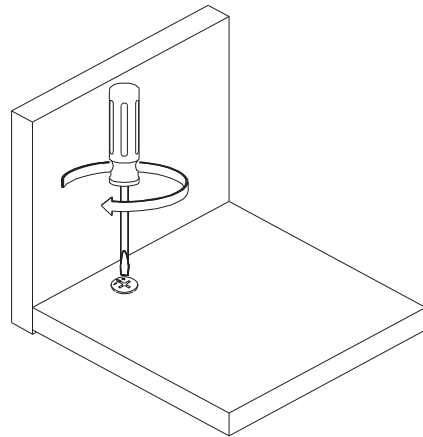
2



3



4



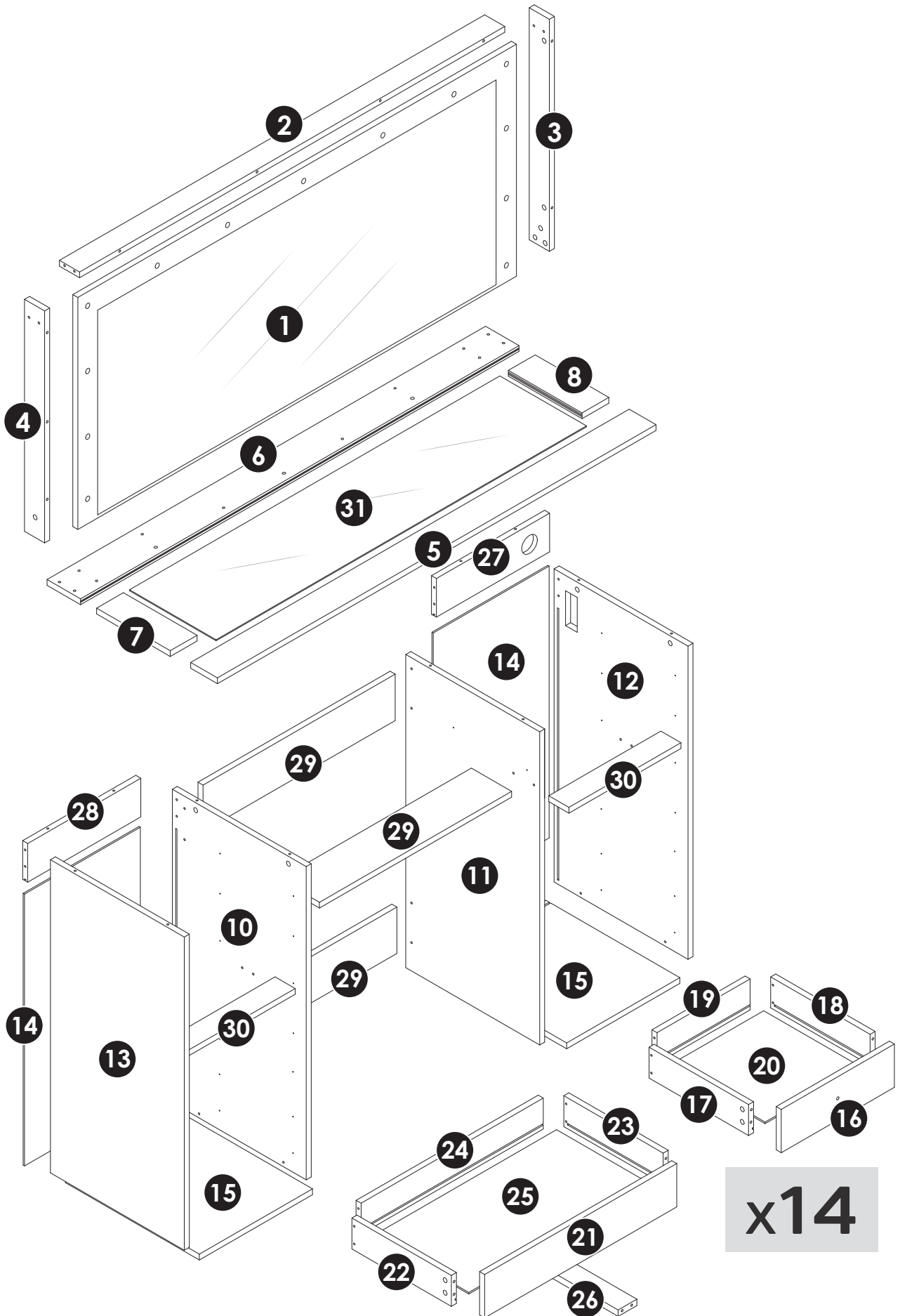
INTRODUCTION

Thank you very much for choosing our Makeup Vanity. Please read the instruction carefully before assembly and keep it for future reference. If you need further assistance on assembly, please contact our customer service through email.

Tips

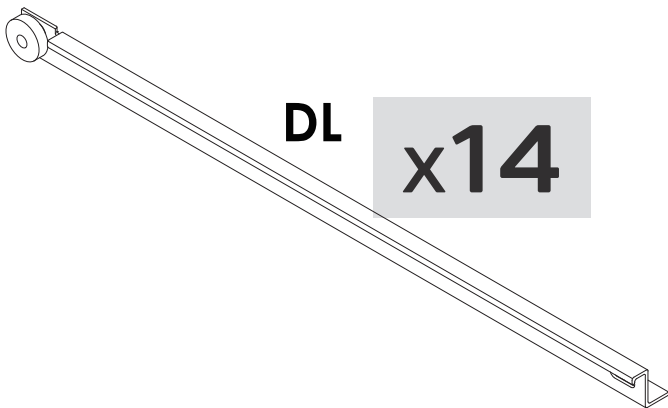
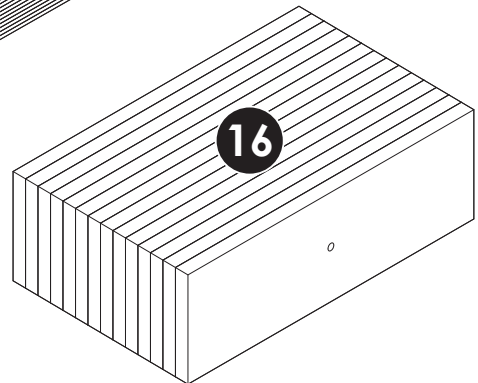
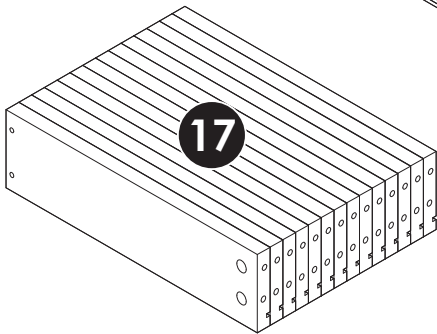
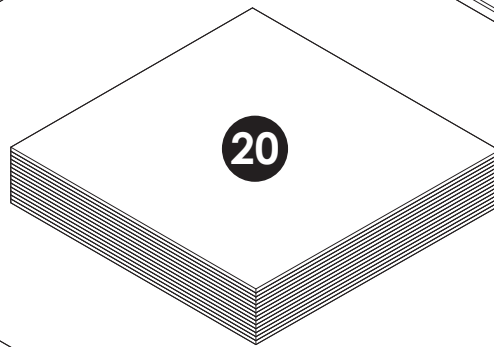
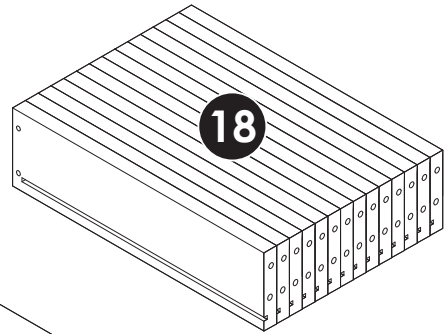
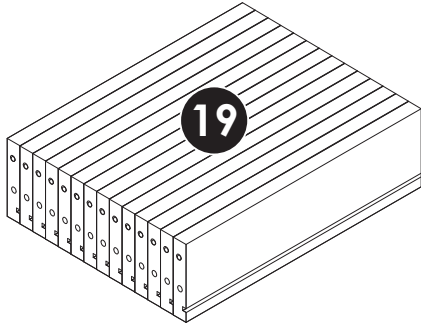
1. When installing the product, use a soft underlay (such as carpet or cardboard) to avoid scratching or damaging the surface of the product.
2. Don't tighten screws completely at first, just in case parts were assembled wrong and need disassemble. Tighten screws at last when all parts are put together.
3. The structure of this product can not meet the requirements of the placement of heavy items and children climbing.

PLATE NUMBER

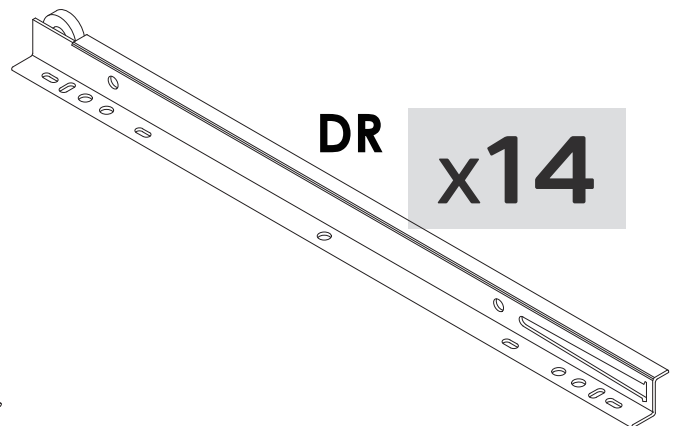




In order to facilitate your assembly and save your precious time, please arrange all the boards and slide rail accessories of the 14 small drawers before assembly.

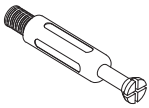

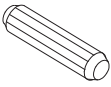



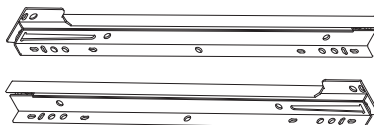

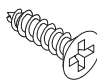
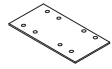
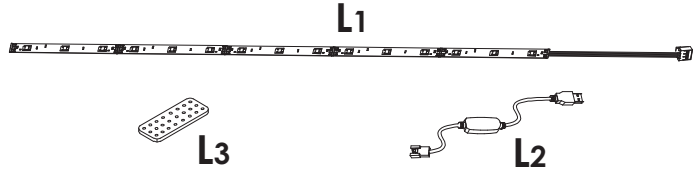
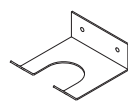

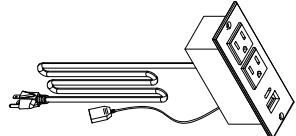

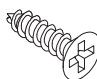


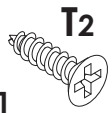




DL **x14**



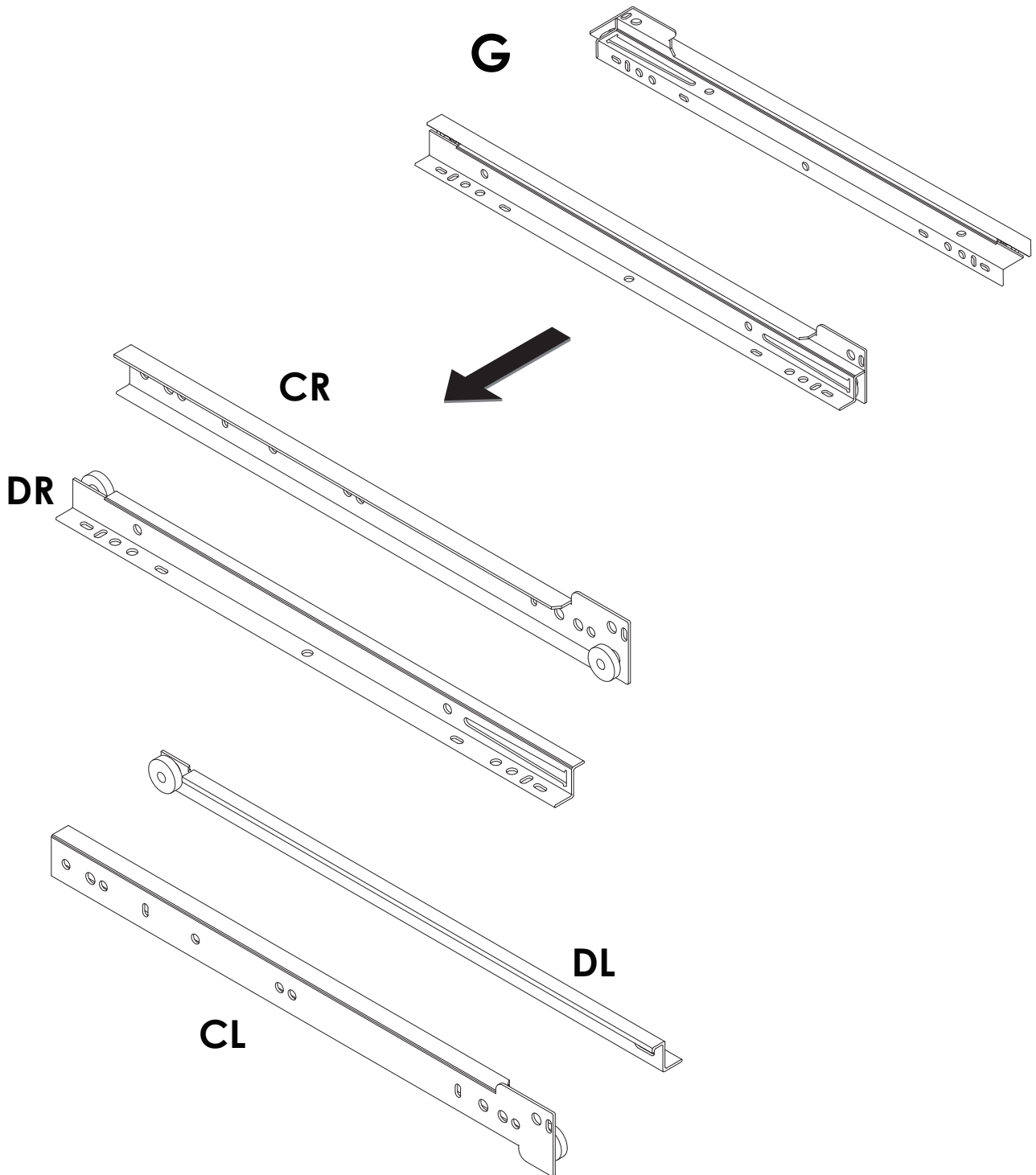
DR **x14**

HARDWARES LIST

<p>A x108</p>  <p>M6*40 mm</p>	<p>B x108</p>  <p>M15*11 mm</p>	<p>C x11</p>  <p>M8*40 mm</p>	<p>D x86</p>  <p>M5*40 mm</p>	<p>E x15</p>  <p>M4*16 mm</p>
<p>F x15</p> 	<p>G 12 inches x15</p> 	<p>H x2</p>  <p>M4*10 mm</p>	<p>J x62</p>  <p>M3.5*14 mm</p>	
<p>K x4</p> 	<p>L x1</p> 	<p>M x1</p> 		
<p>N x1</p> 	<p>P x1</p> 	<p>Q x8</p> 	<p>R x102</p>  <p>M3*12 mm</p>	
<p>S x64</p> 	<p>T x12</p>   <p>M3*16 mm</p>	<p>U x1</p> 		
<p>V x5</p> 				

INSTALLATION INSTRUCTION

$$G = CR + DR + CL + DL$$



1

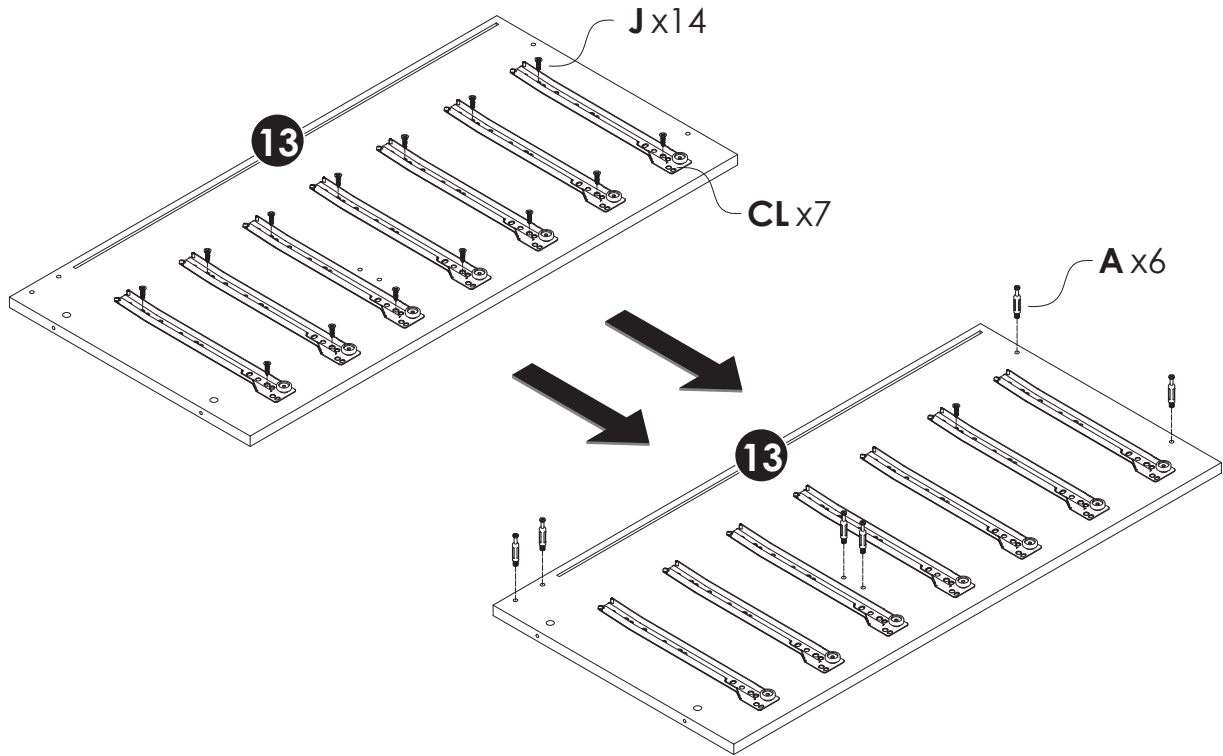
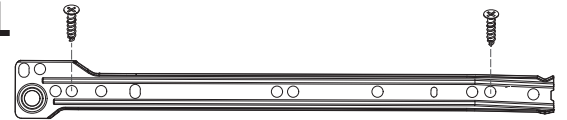
YOU WILL NEED

A x6

J x14

CL x7

CL



2

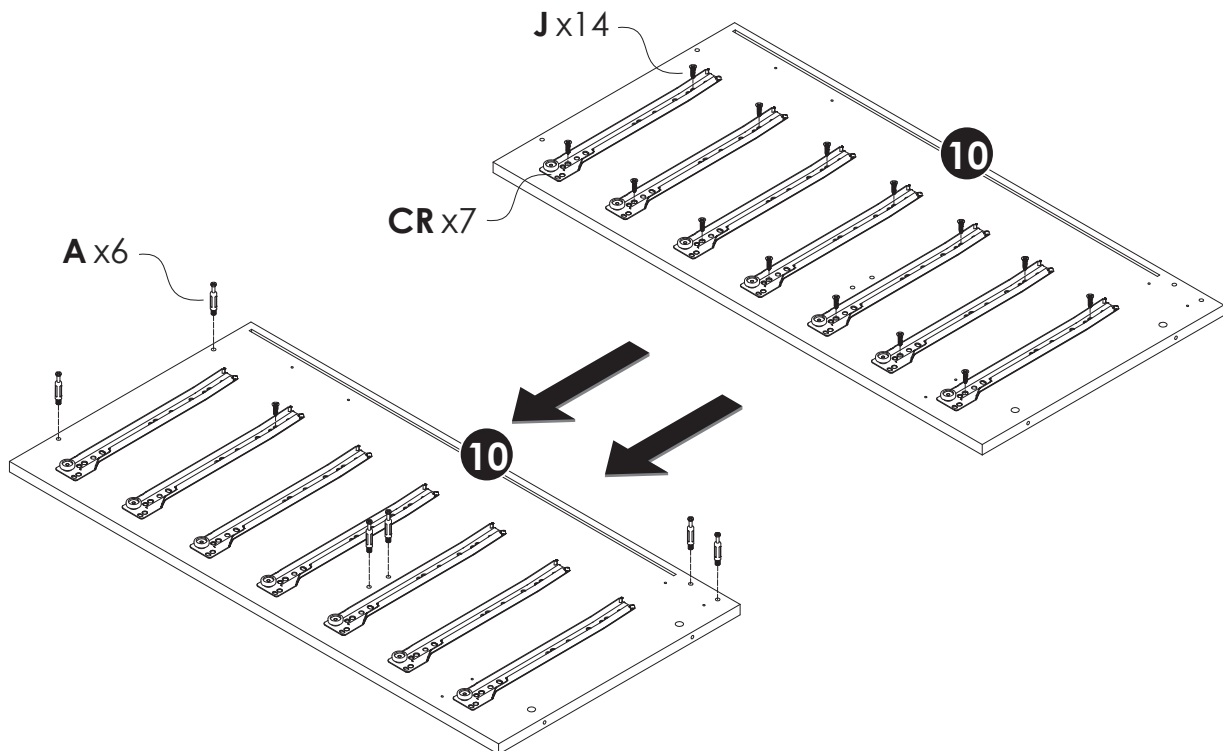
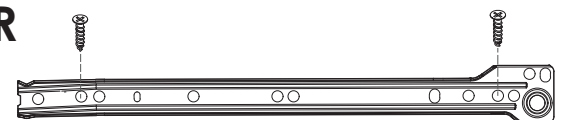
YOU WILL NEED

A x6

J x14

CR x7

CR



3

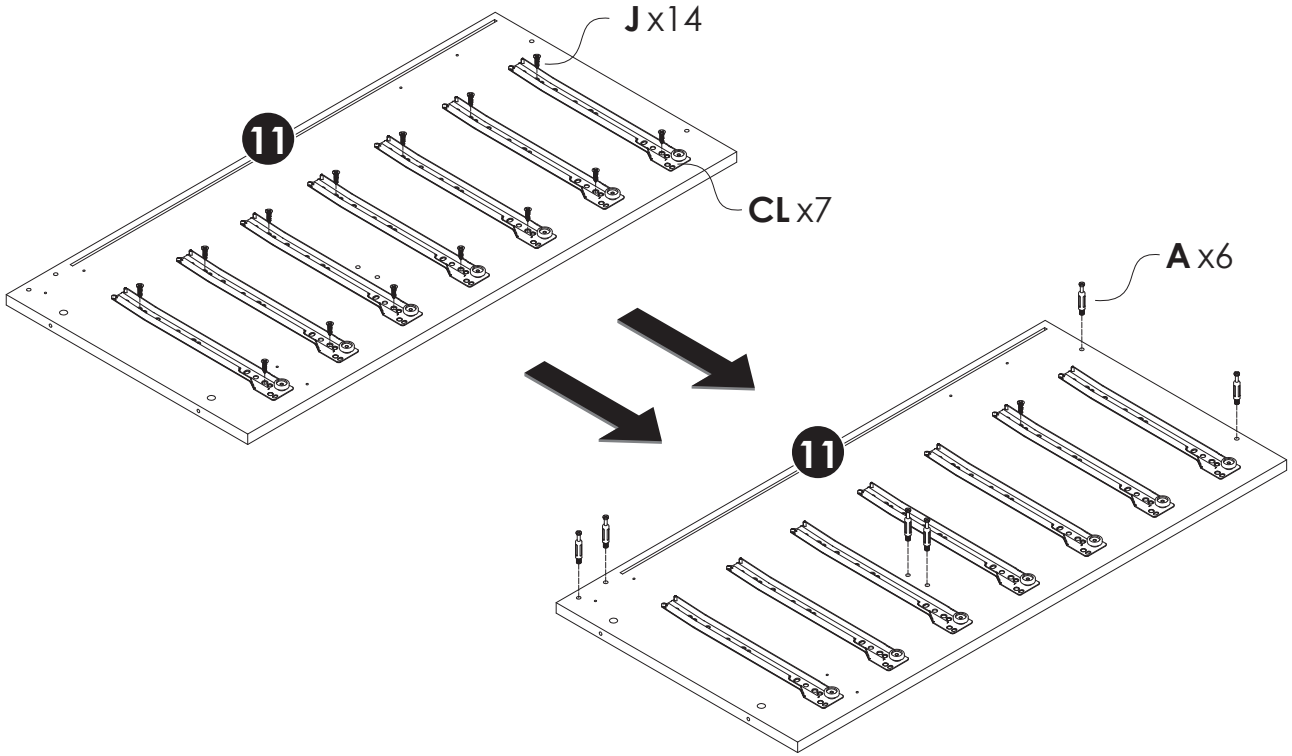
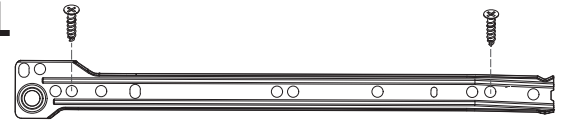
YOU WILL NEED

A x6

J x14

CL x7

CL



4

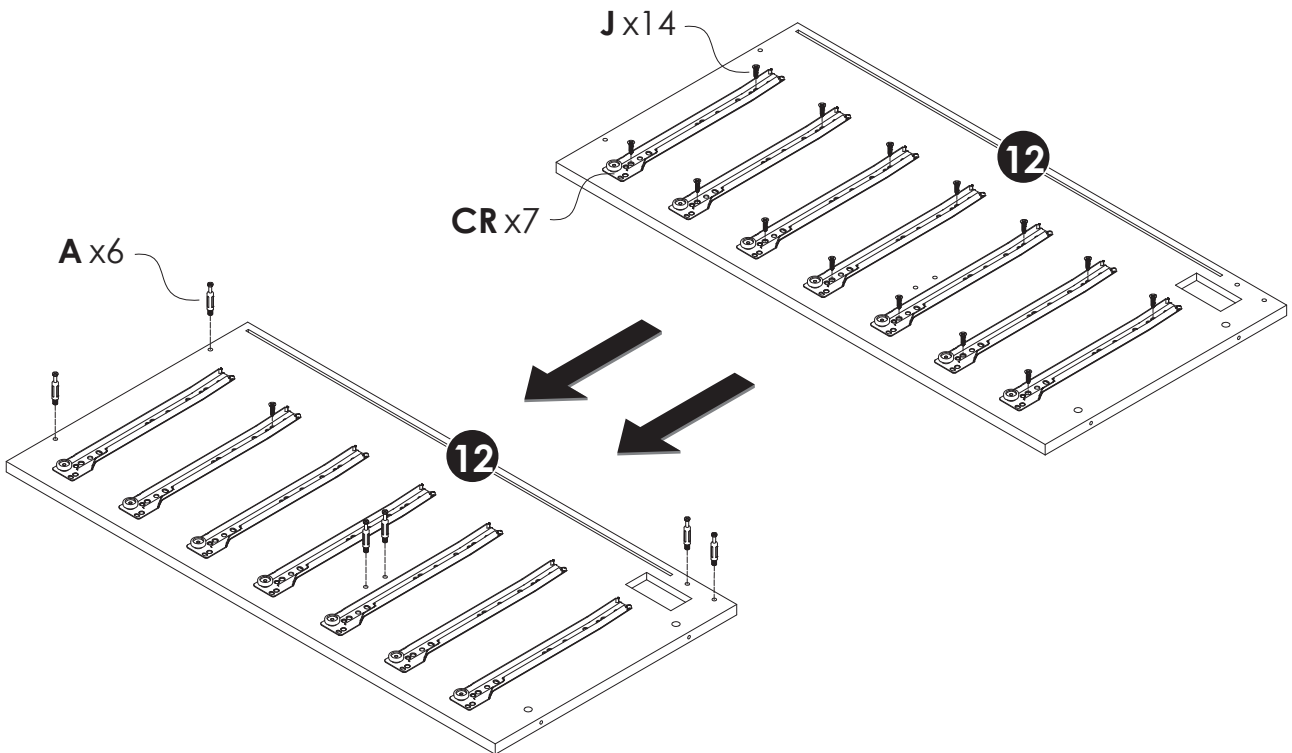
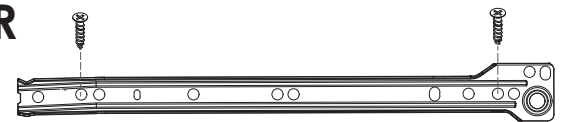
YOU WILL NEED

A x6

J x14

CR x7

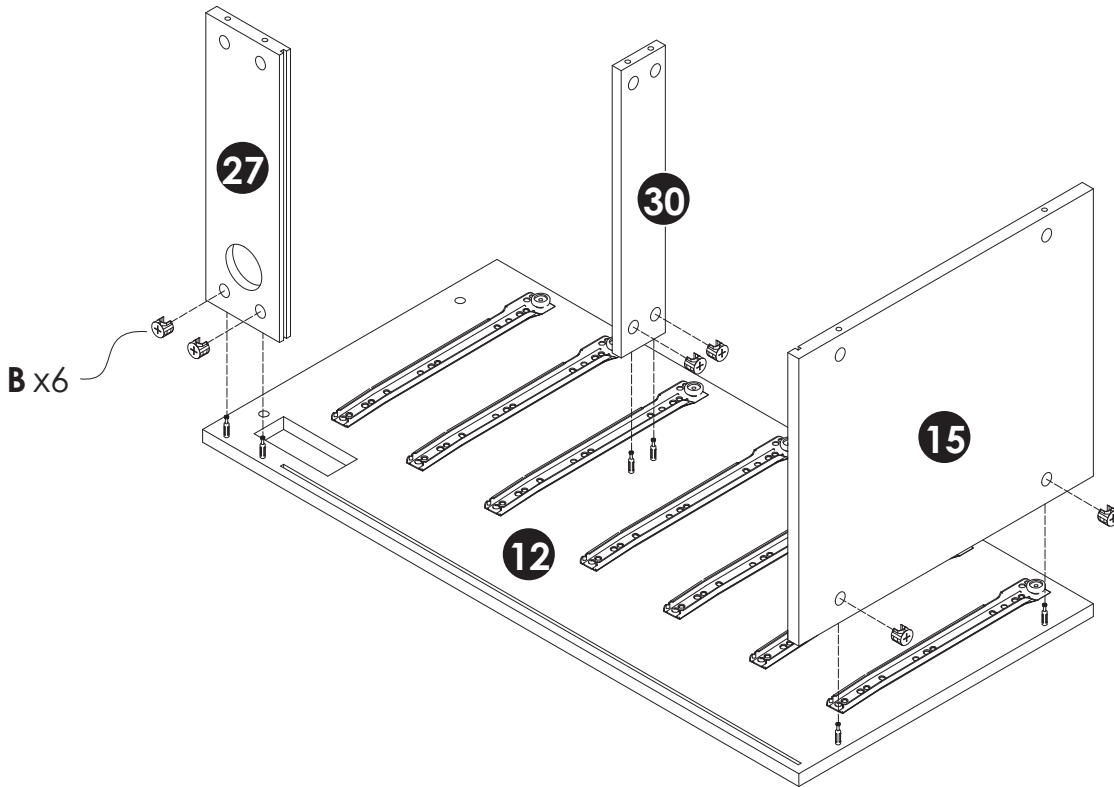
CR



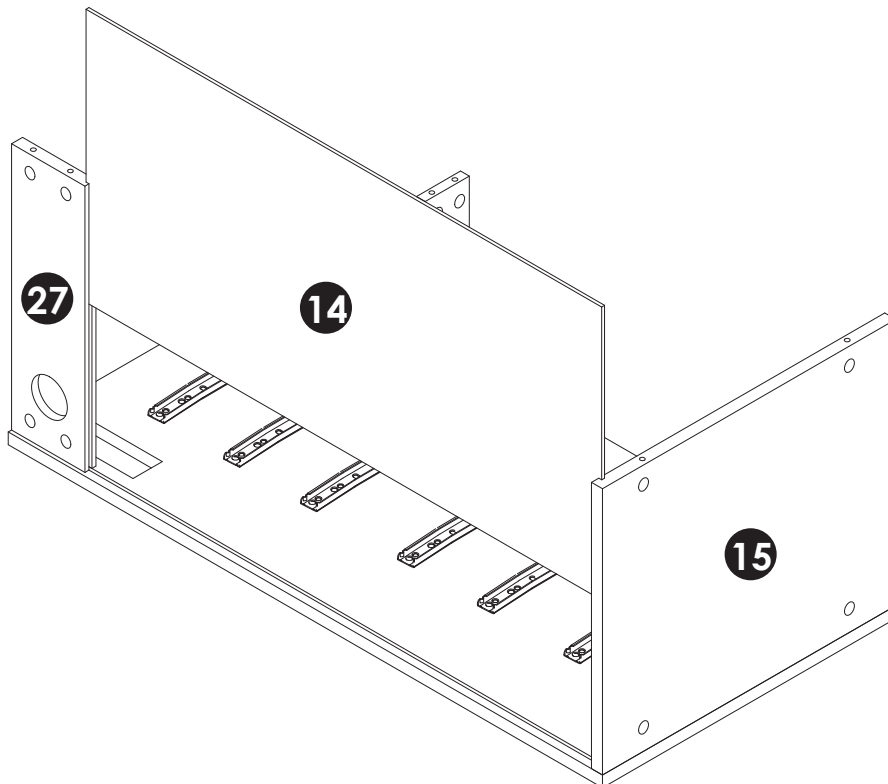
5

YOU WILL NEED

B x6



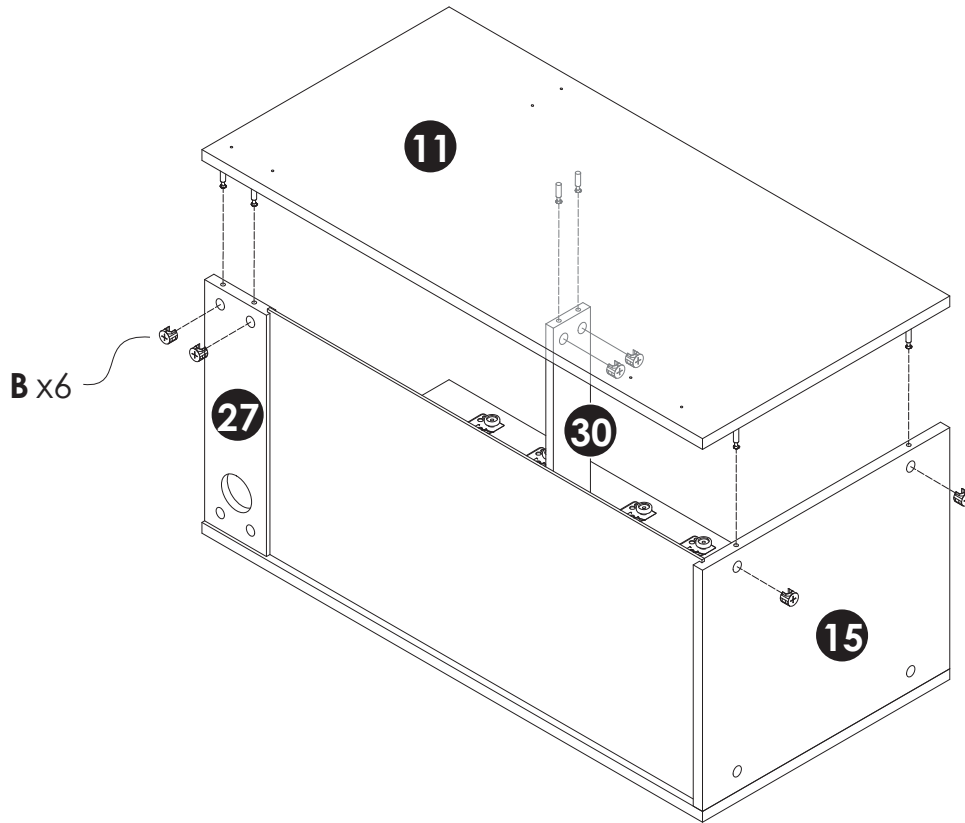
6



7

YOU WILL NEED

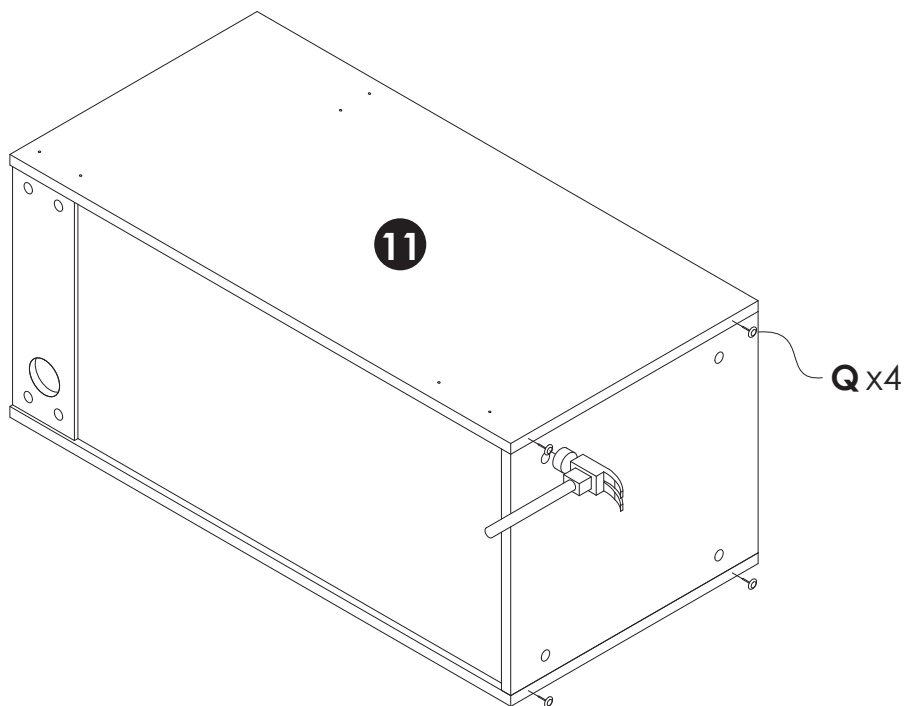
B x6



8

YOU WILL NEED

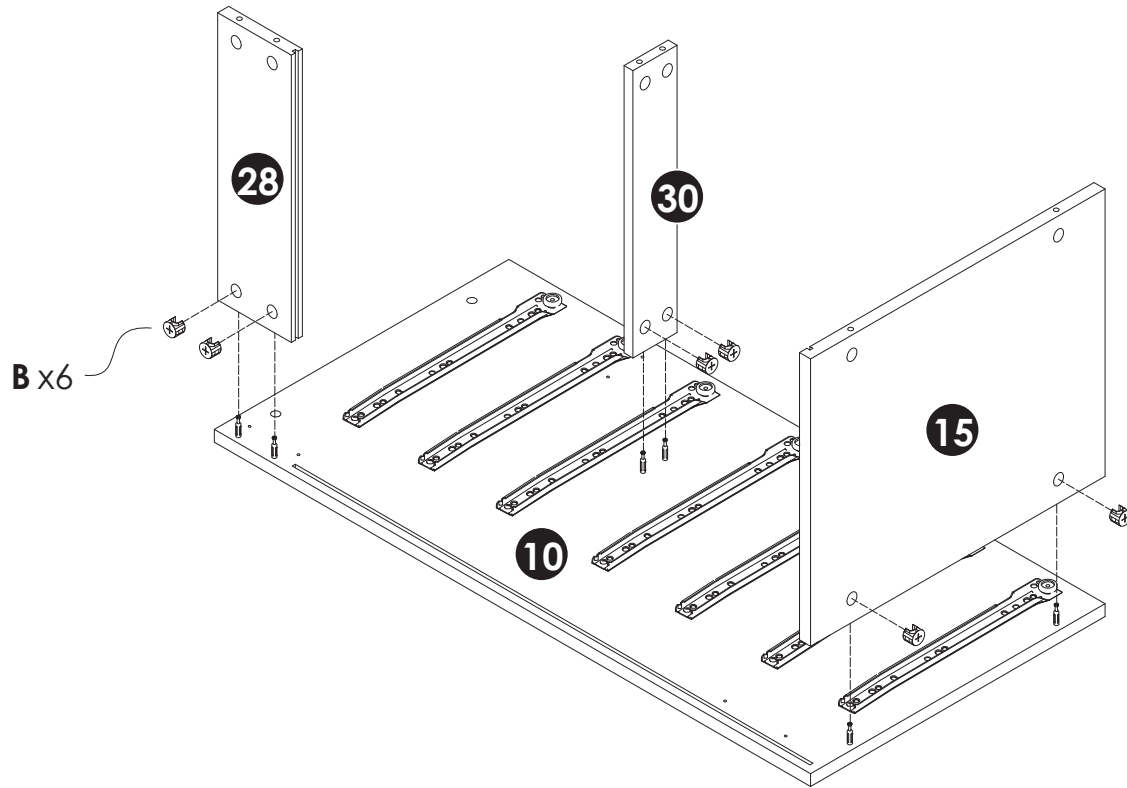
Q x4



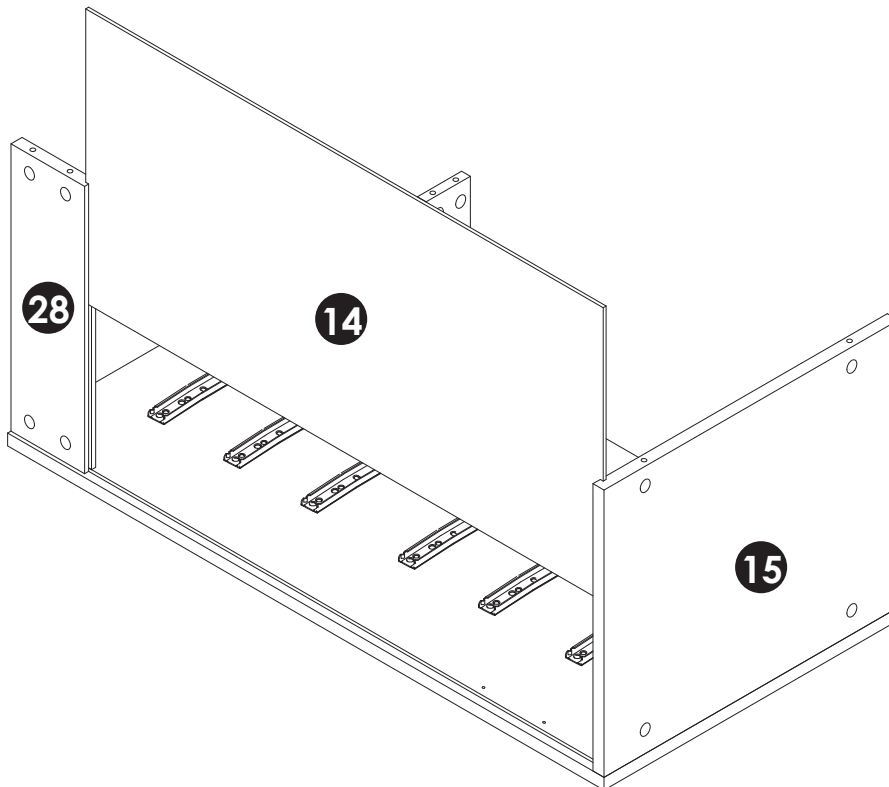
9

YOU WILL NEED

B x6



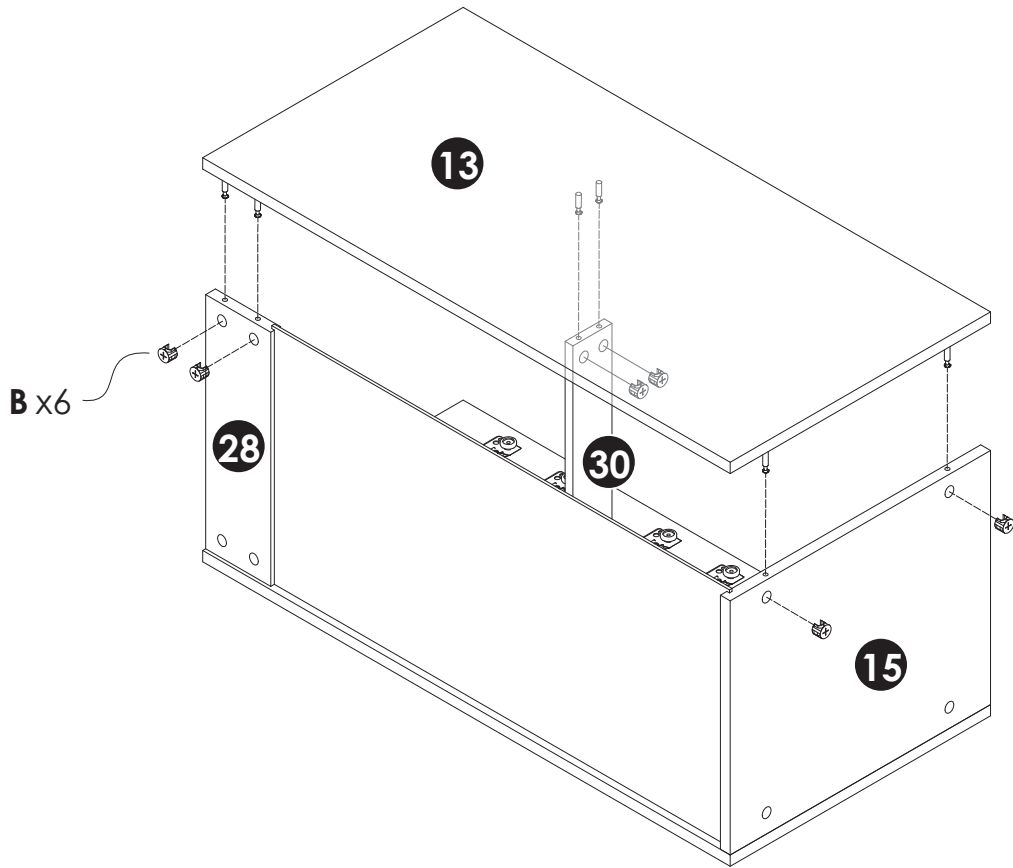
10



11

YOU WILL NEED

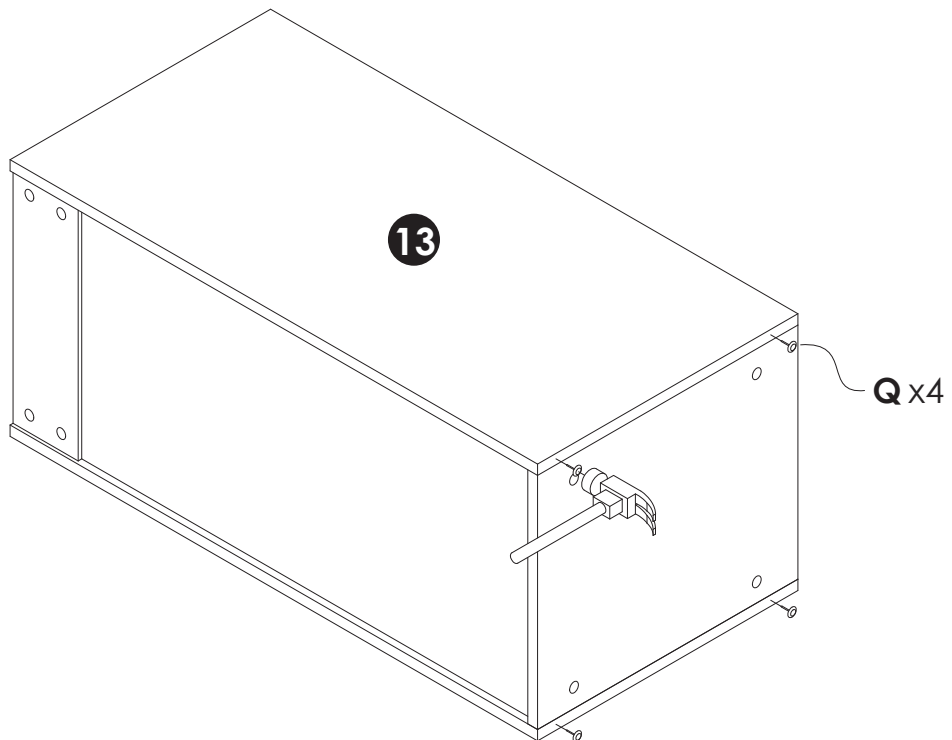
B x6



12

YOU WILL NEED

Q x4



13

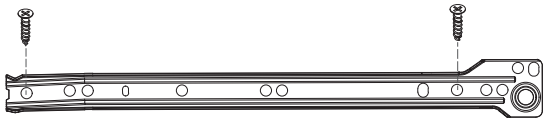
YOU WILL NEED

CR x1

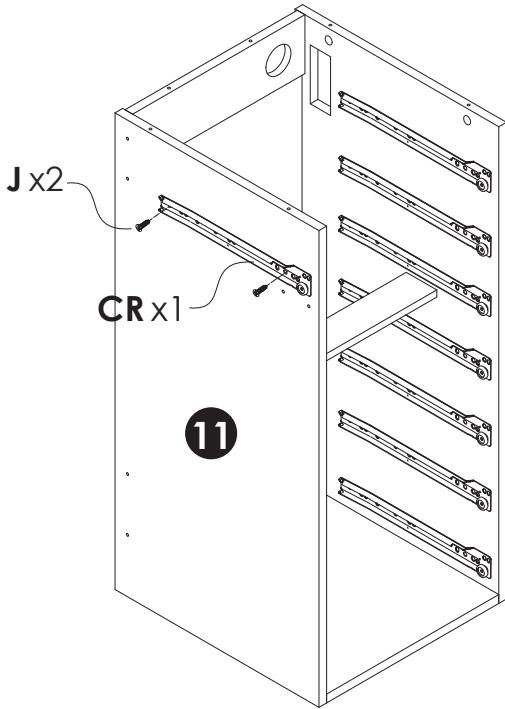
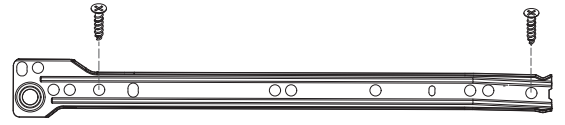
CLx1

J x4

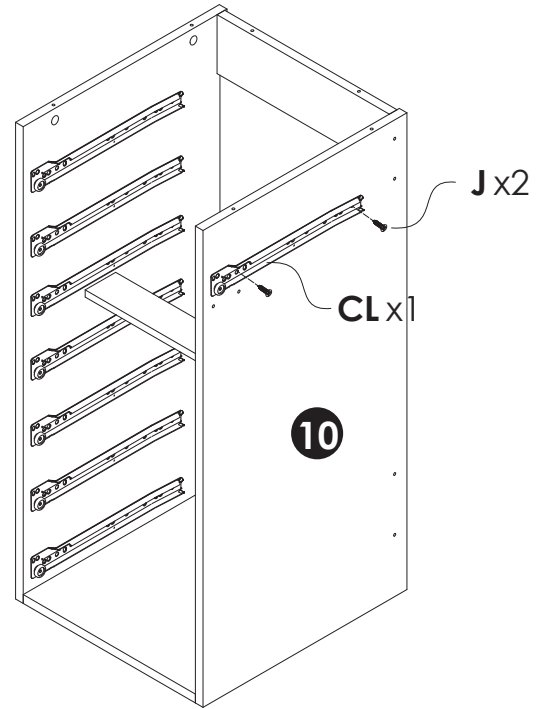
CR



CL



11

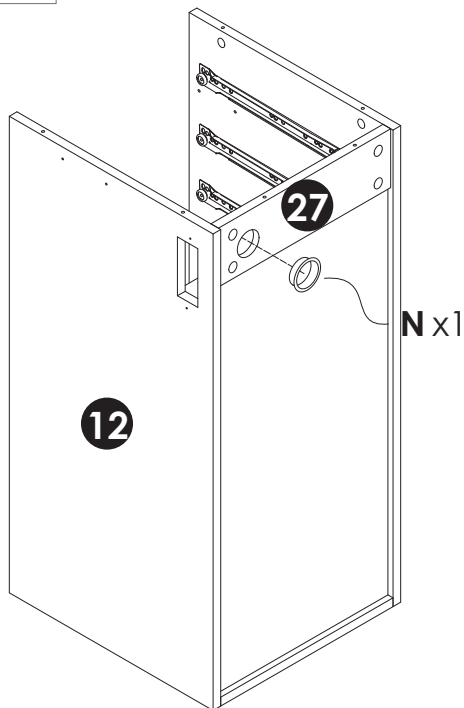


10

14

YOU WILL NEED

N x1



12

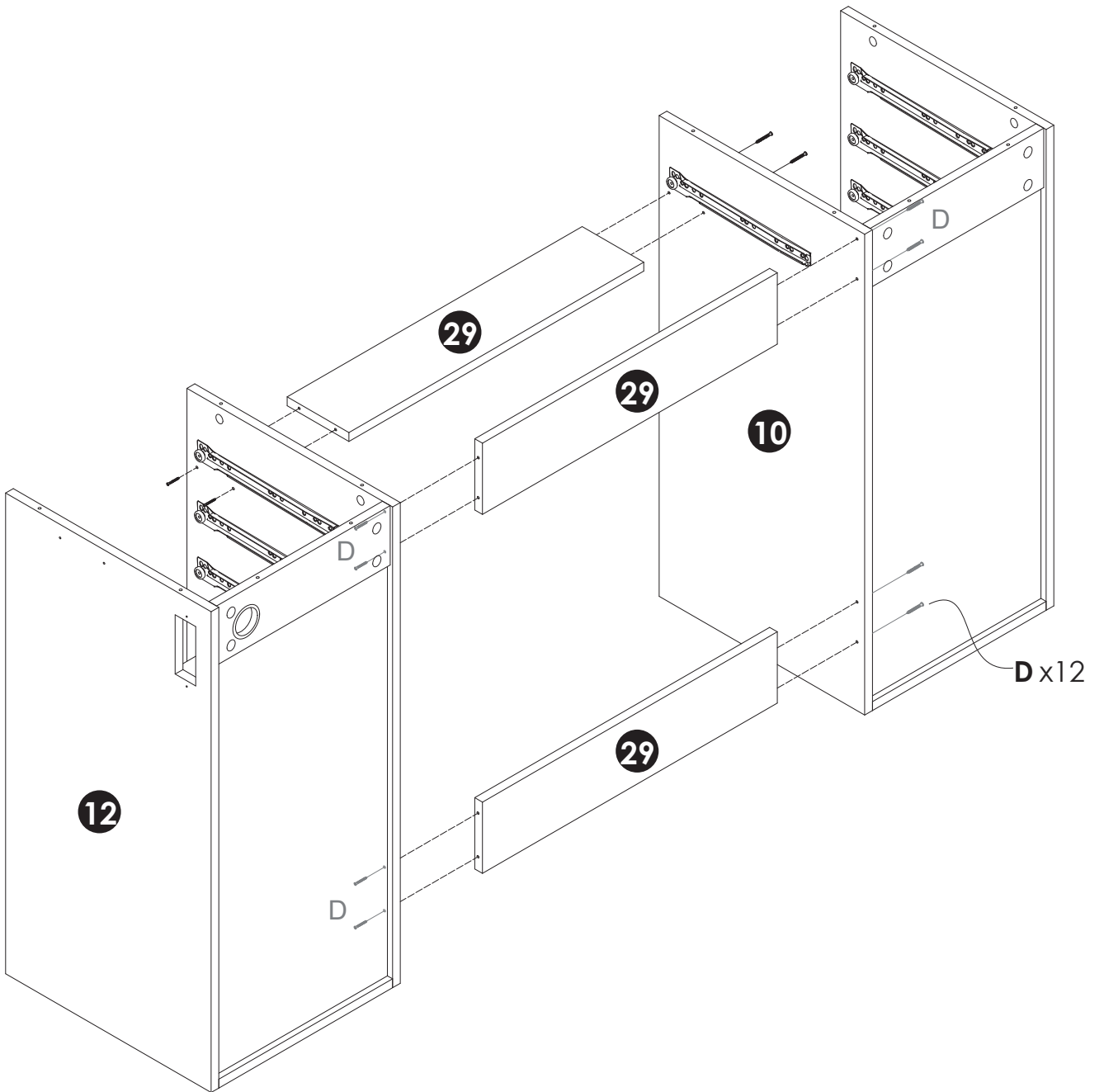
27

N x1

15

YOU WILL NEED

D x12



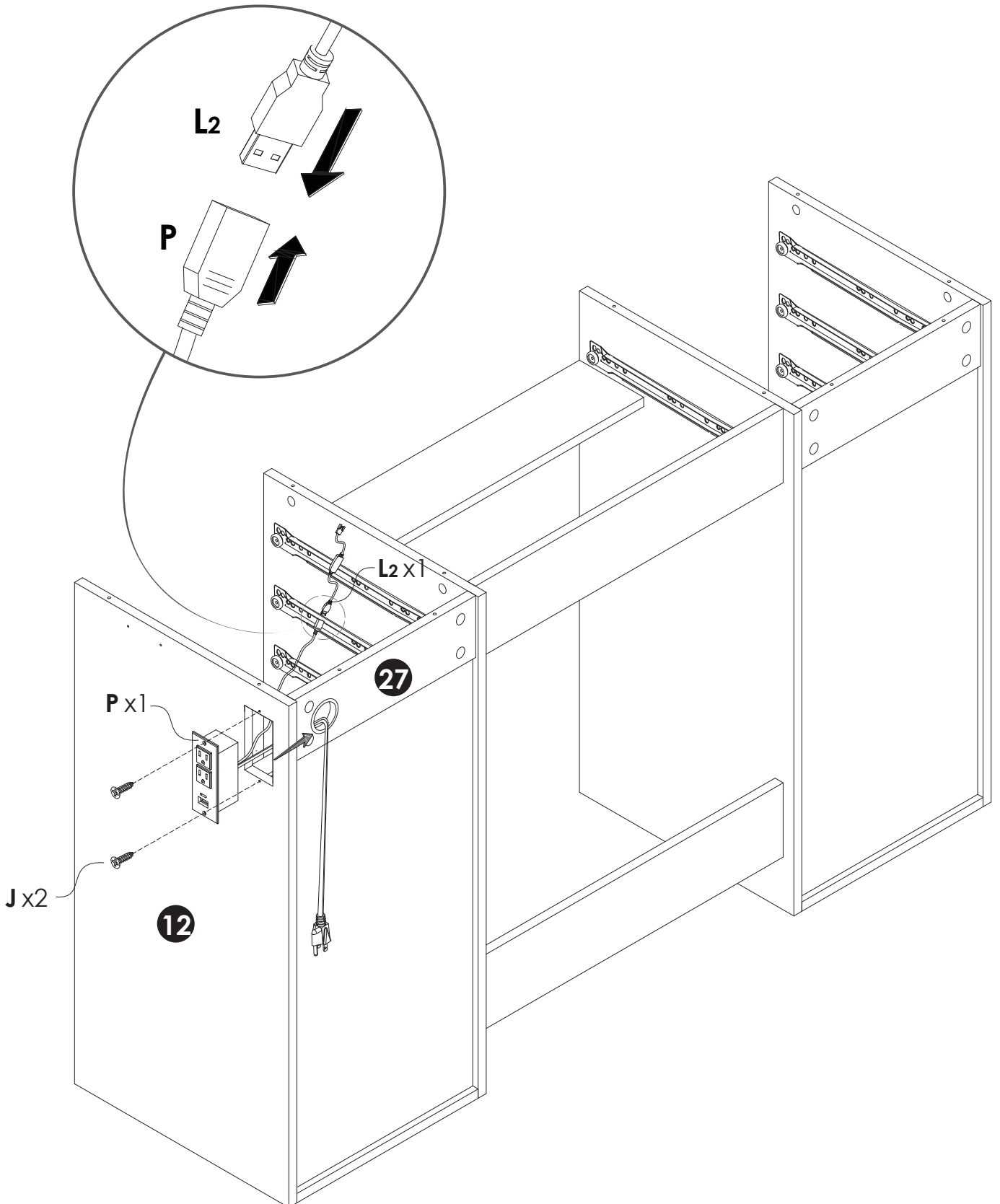
16

YOU WILL NEED

P x1

J x2

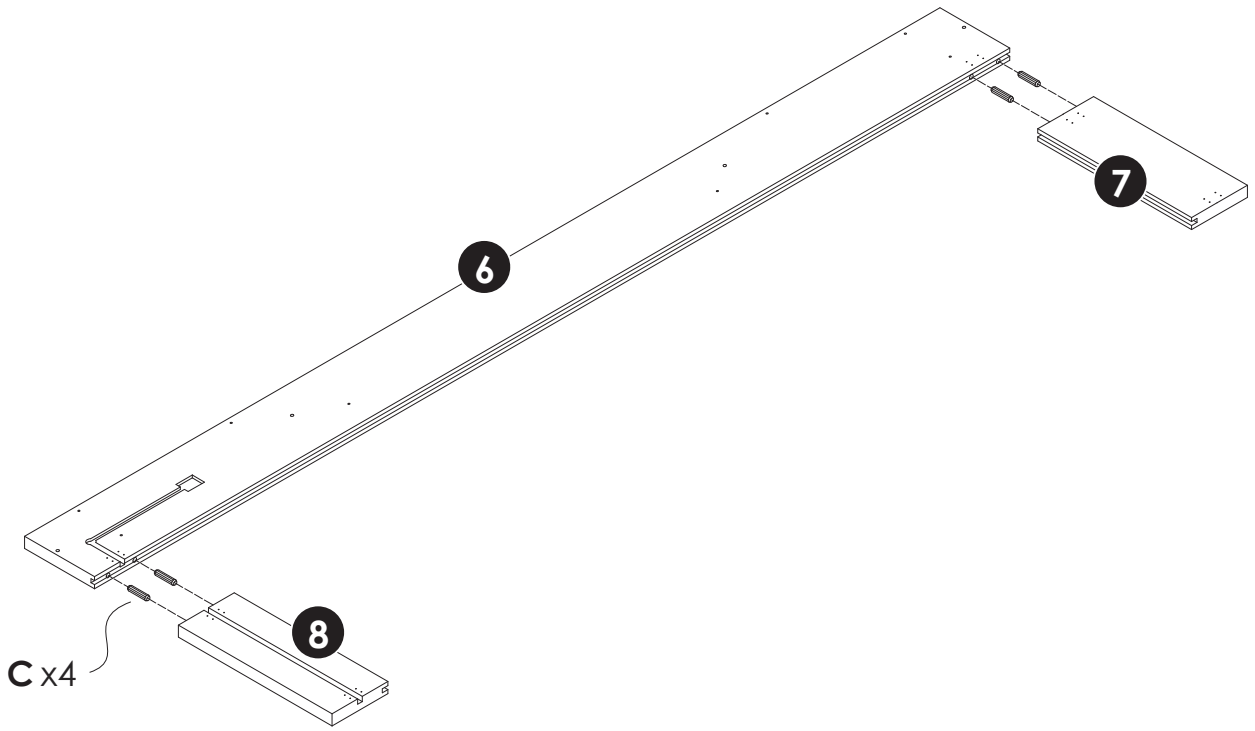
L2 x1



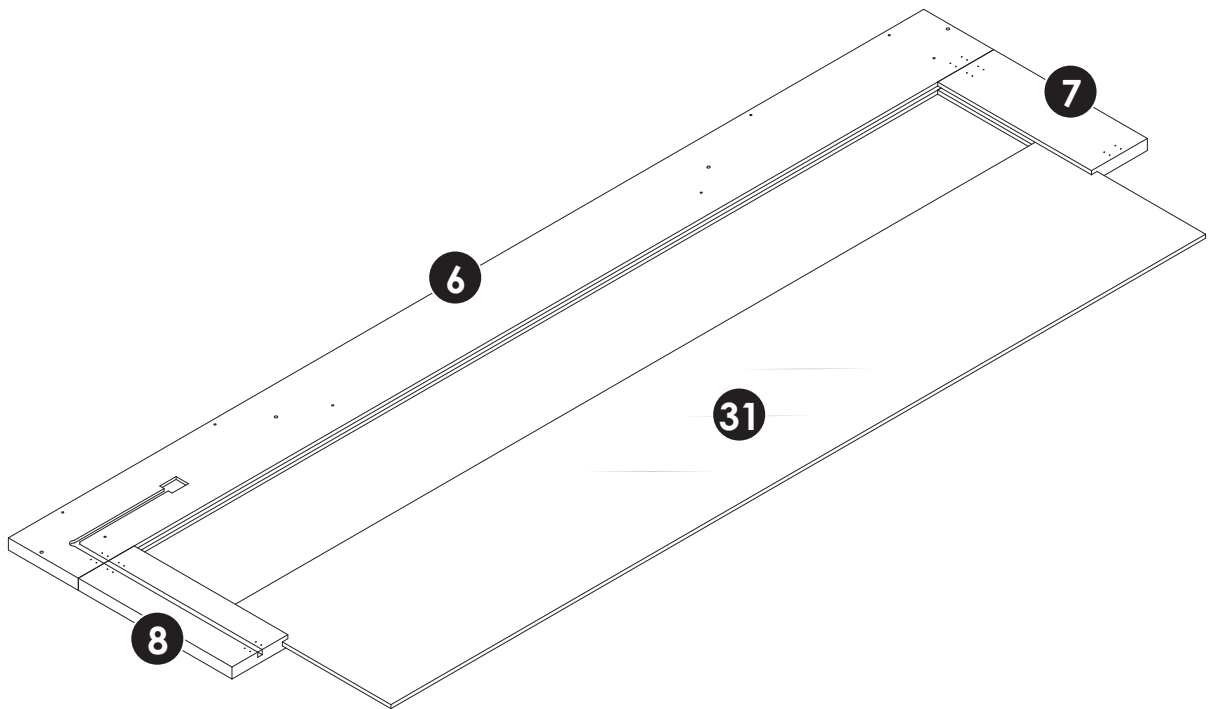
17

YOU WILL NEED

C x4



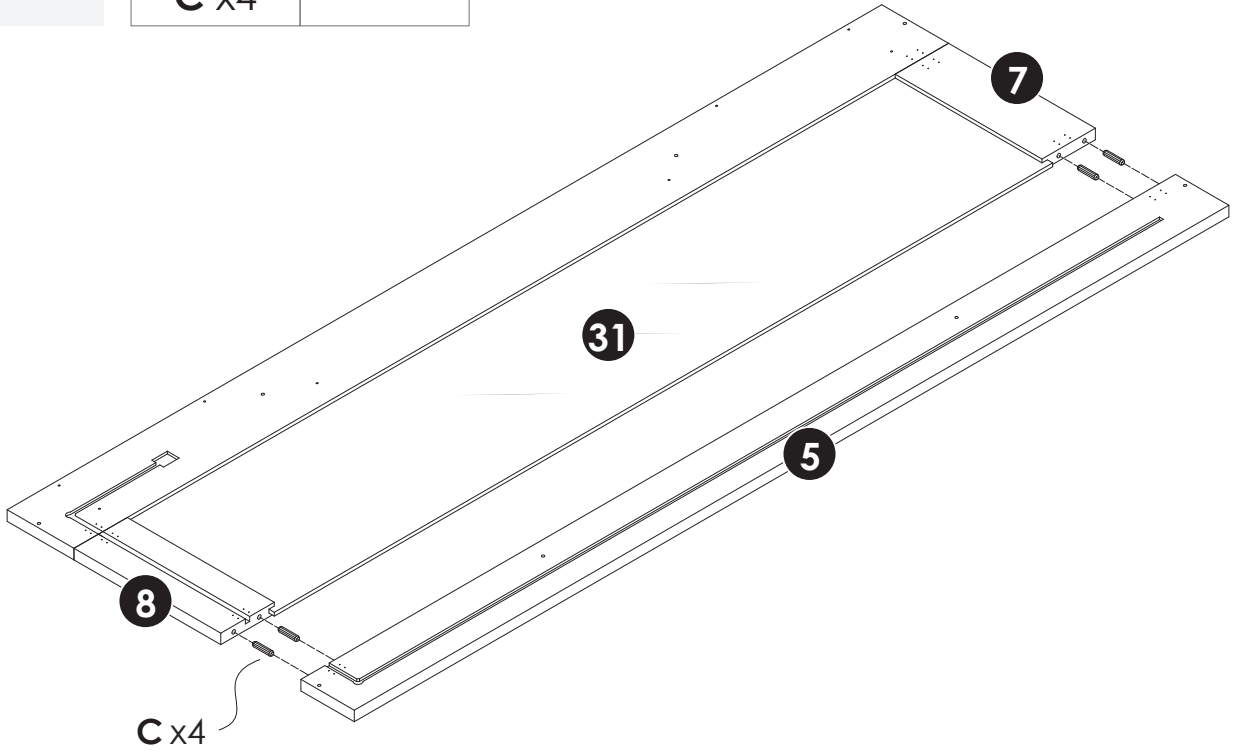
18



19

YOU WILL NEED

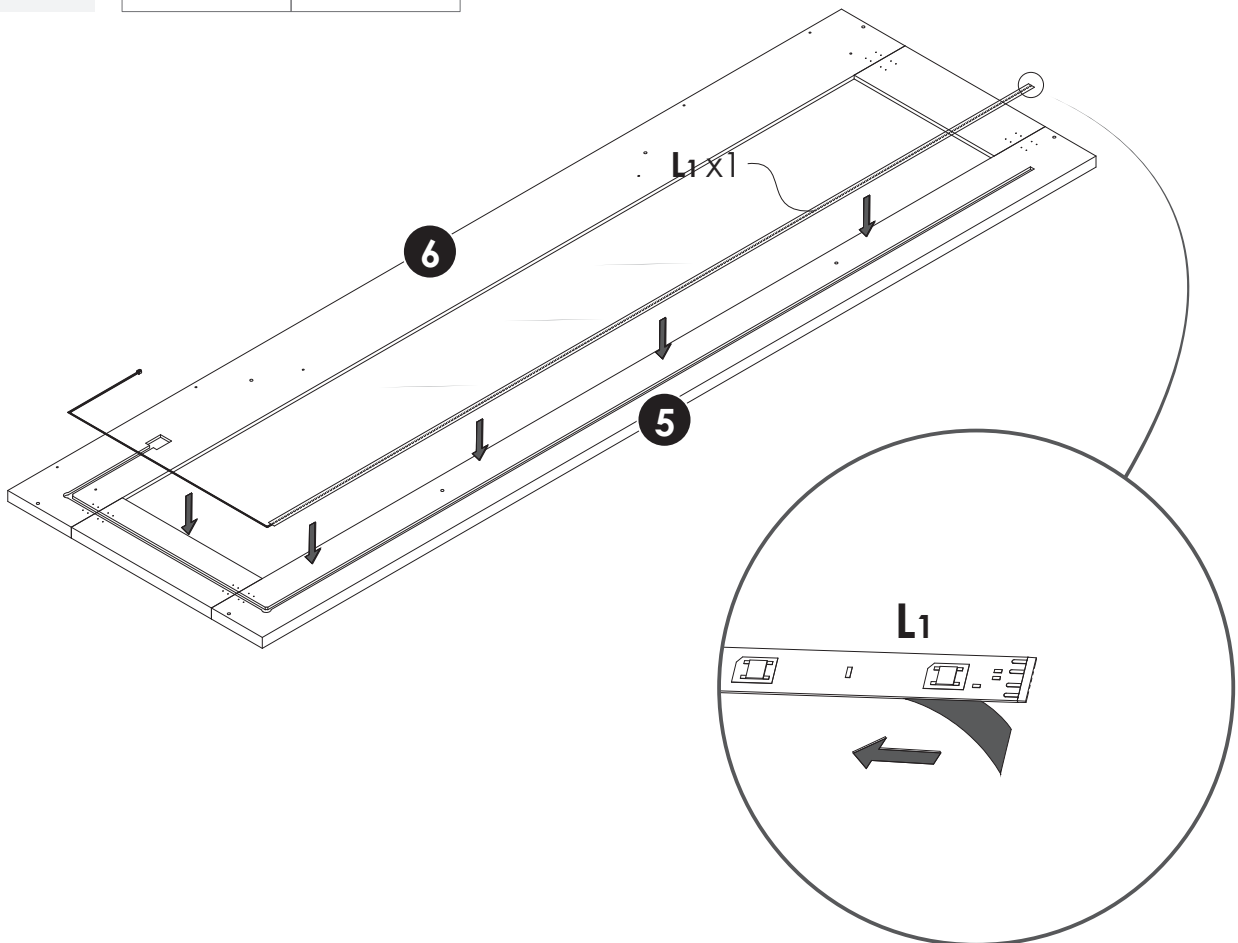
C x4



20

YOU WILL NEED

L1 x1



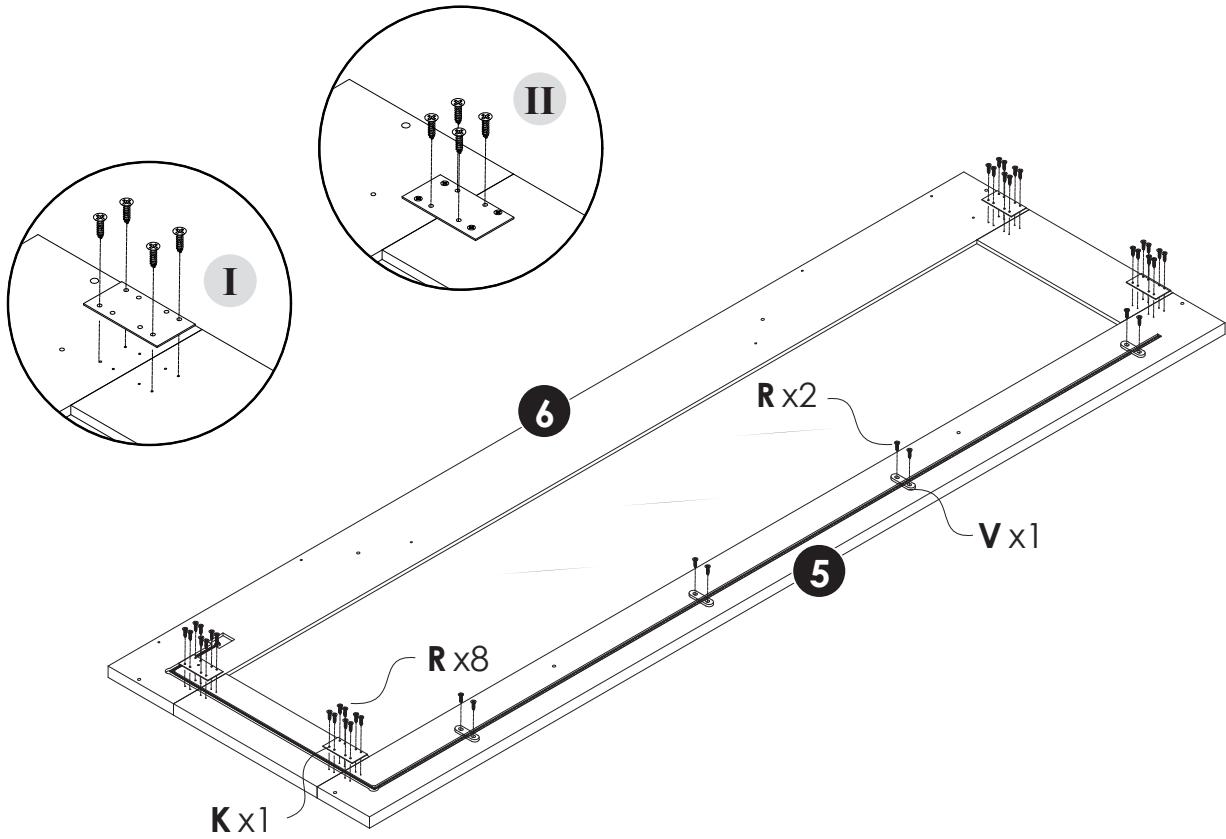
21

YOU WILL NEED

V x4

R x40

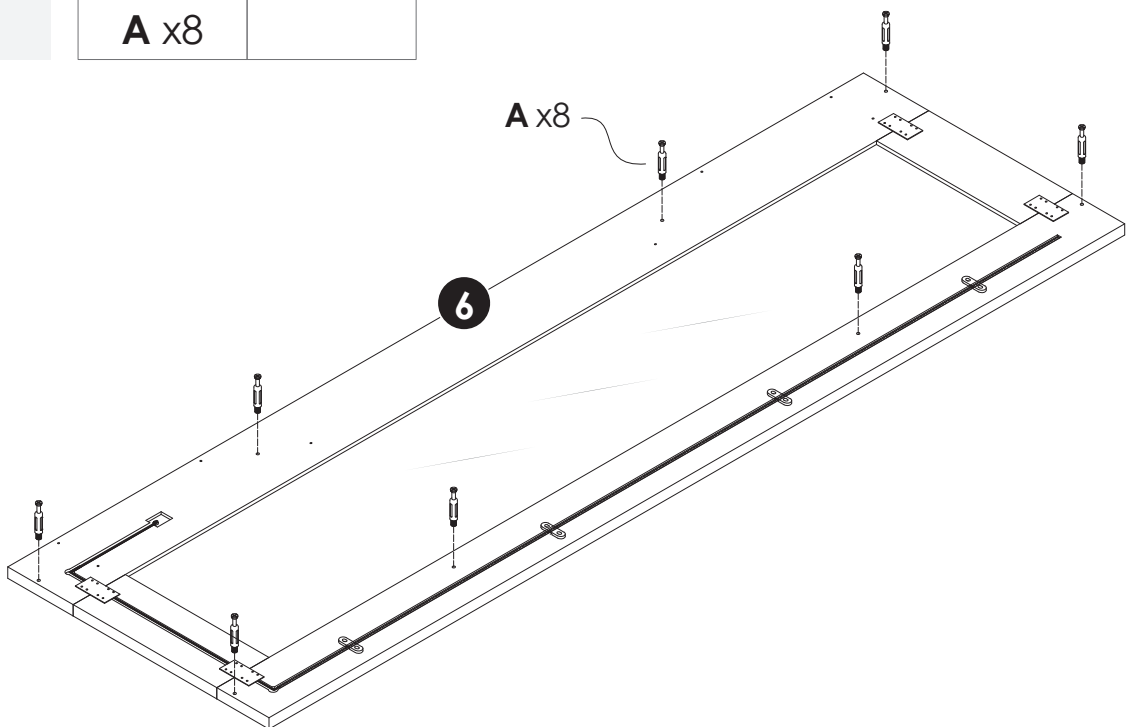
K x4



22

YOU WILL NEED

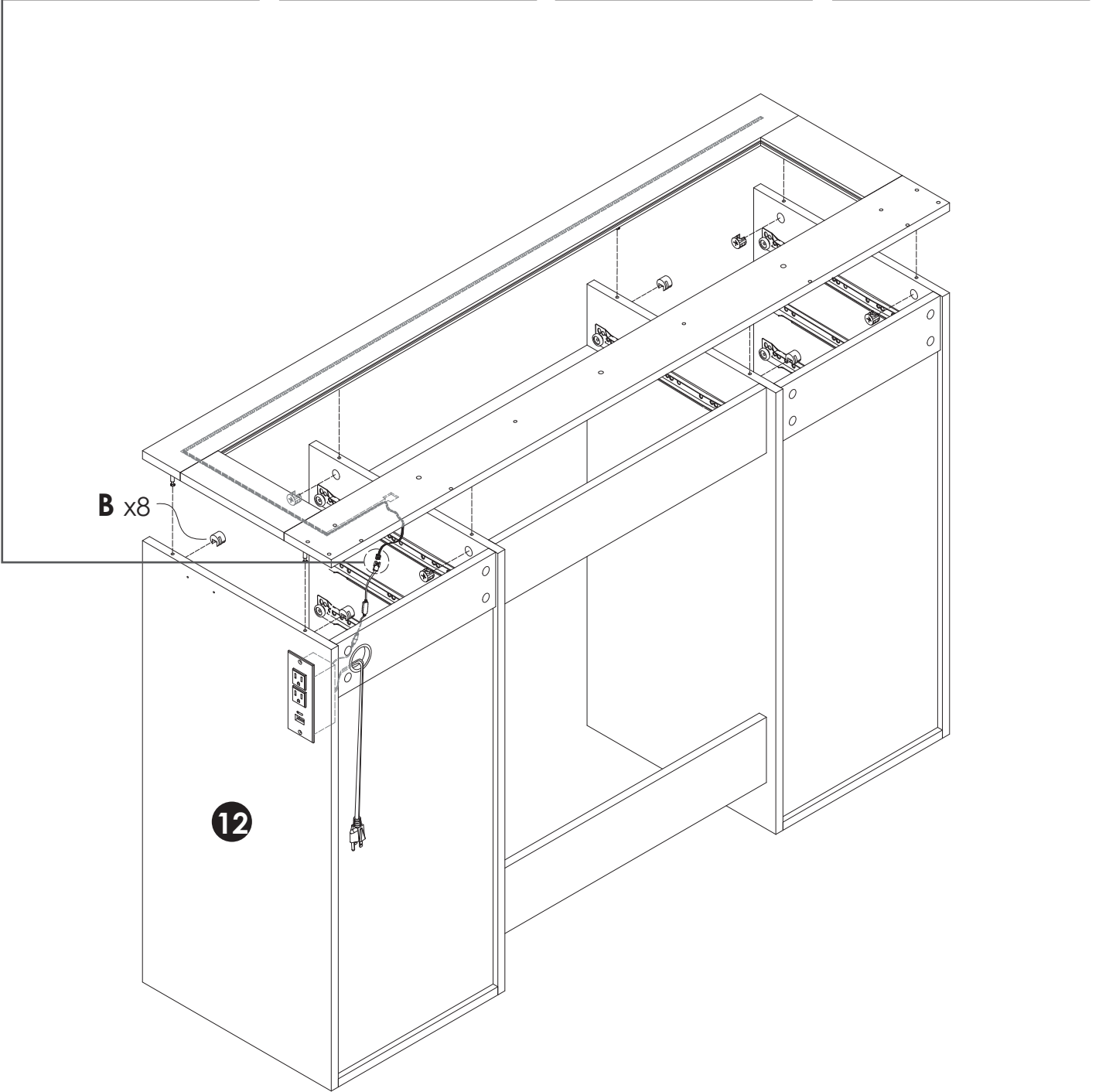
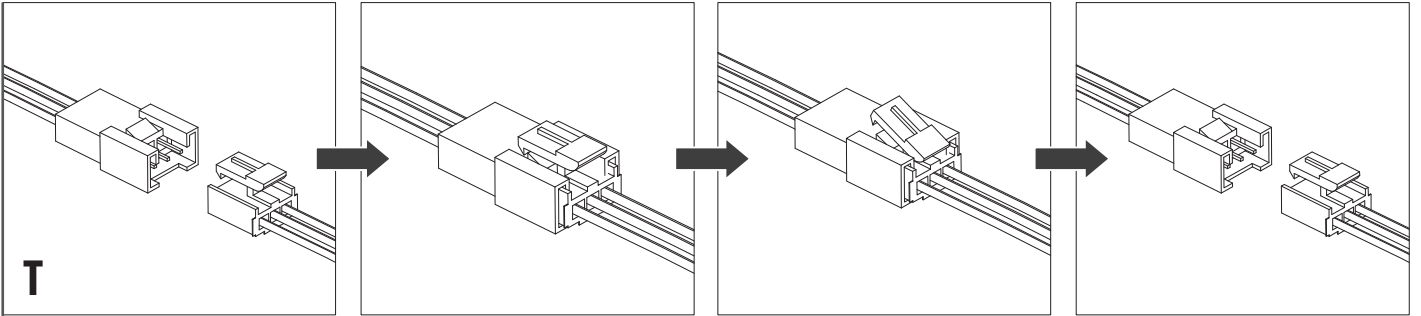
A x8



23

YOU WILL NEED

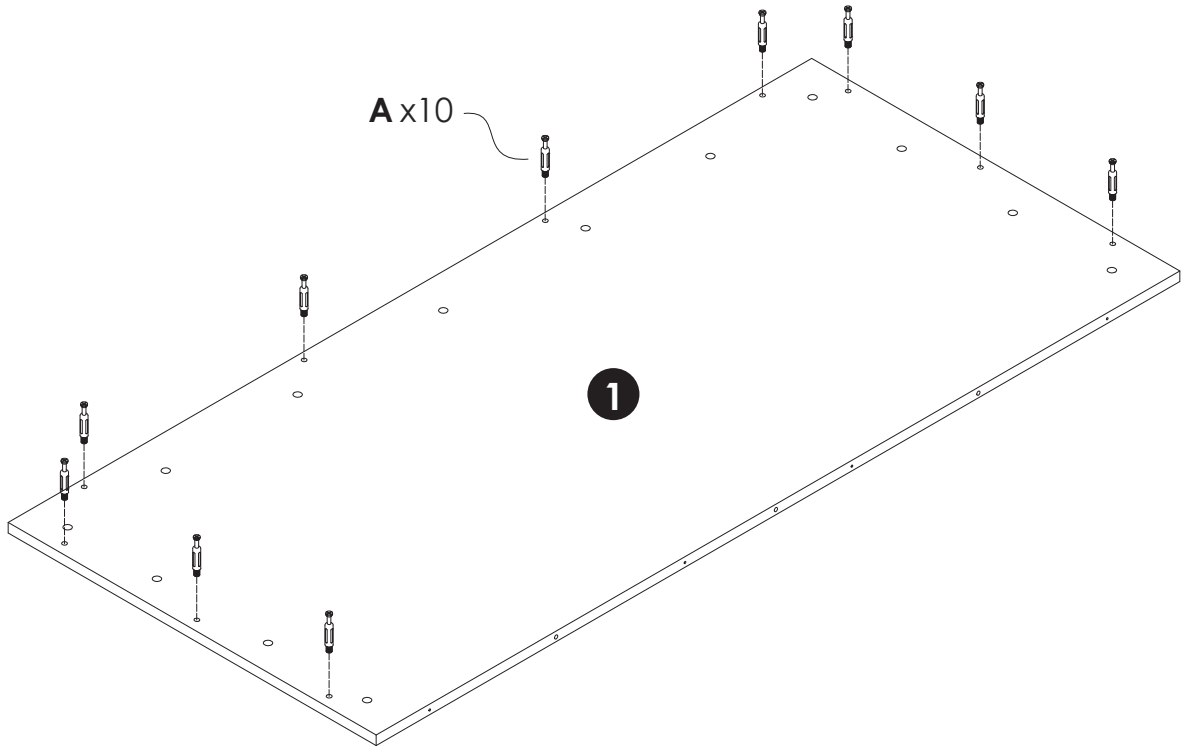
B x8



24

YOU WILL NEED

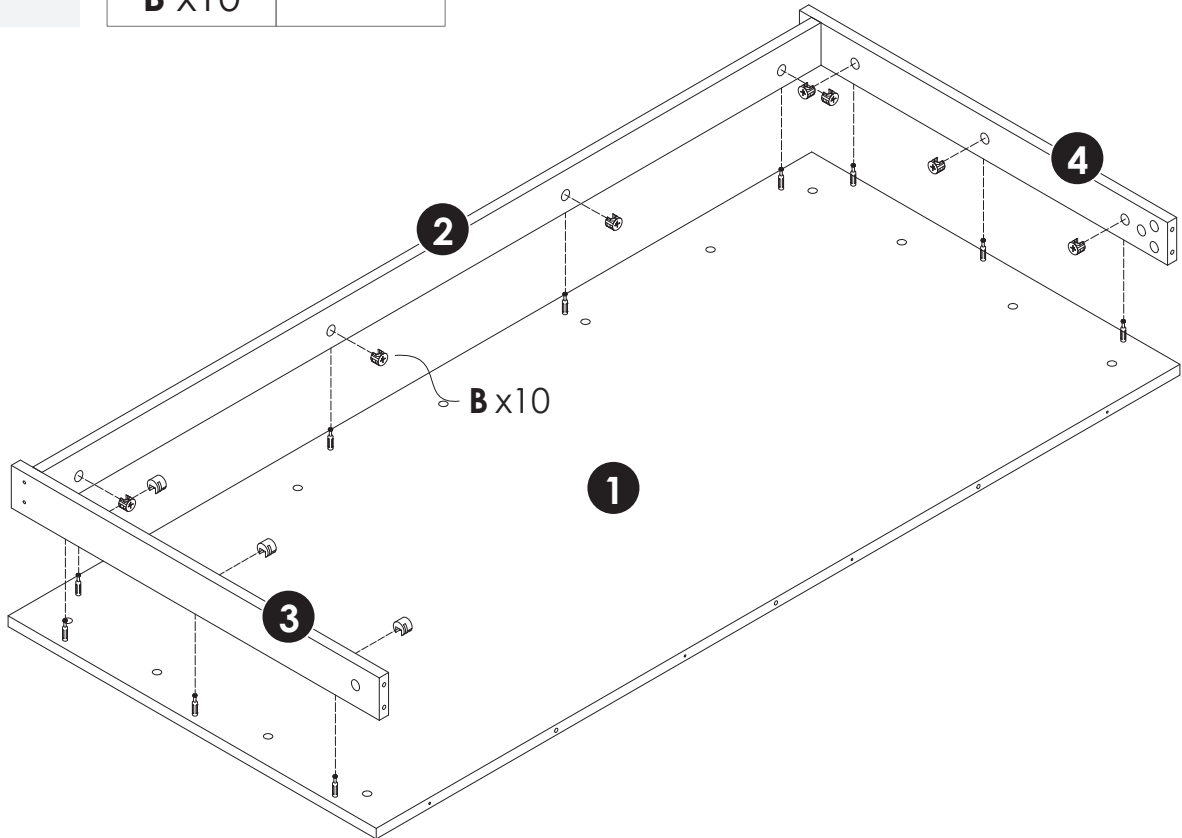
A x10



25

YOU WILL NEED

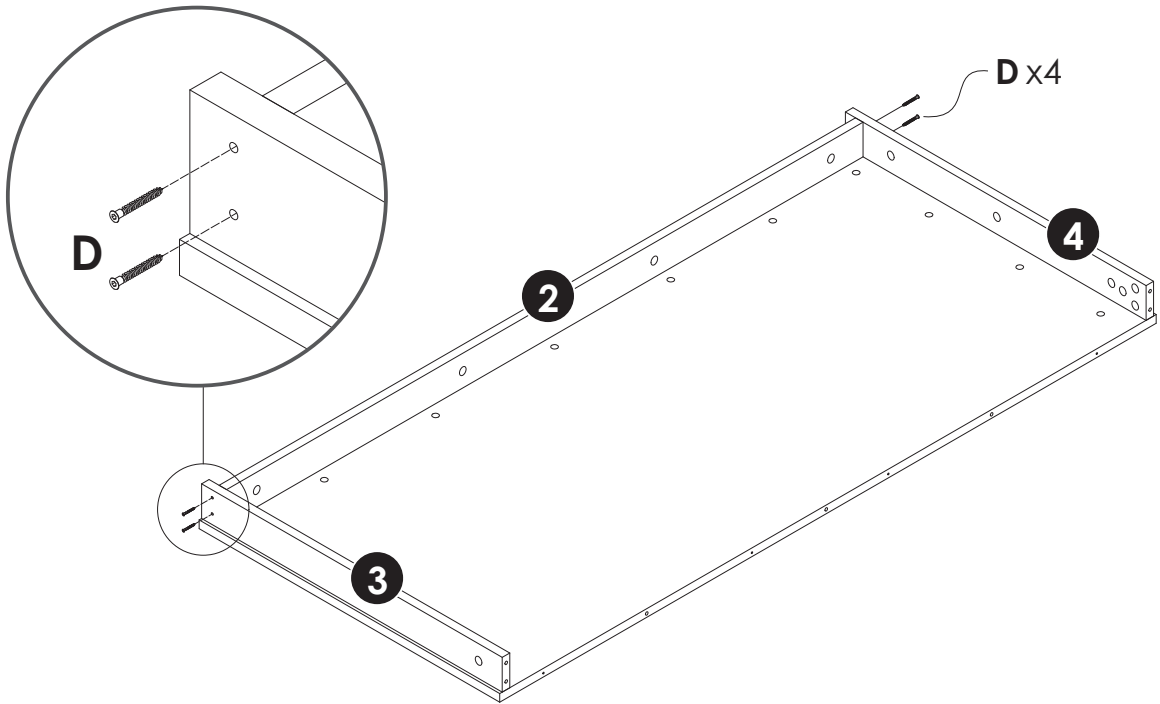
B x10



26

YOU WILL NEED

D x4



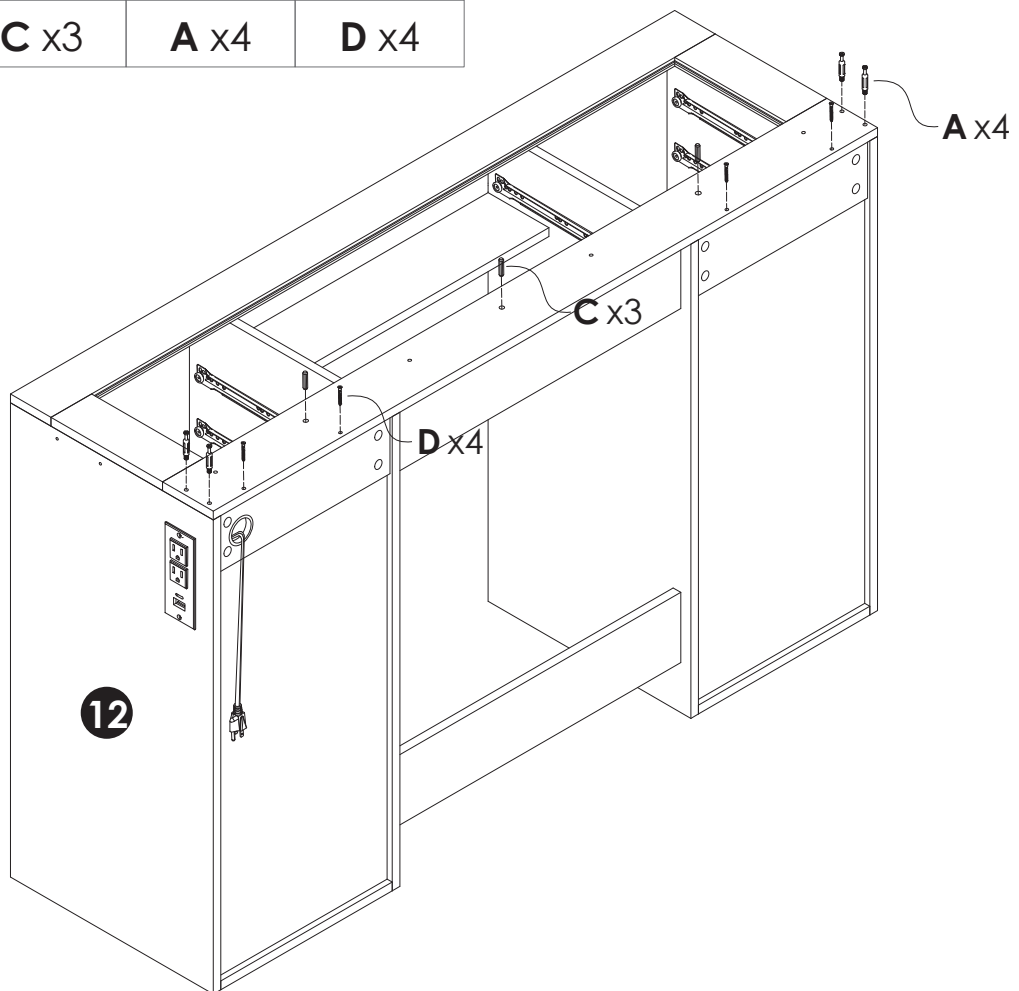
27

YOU WILL NEED

C x3

A x4

D x4

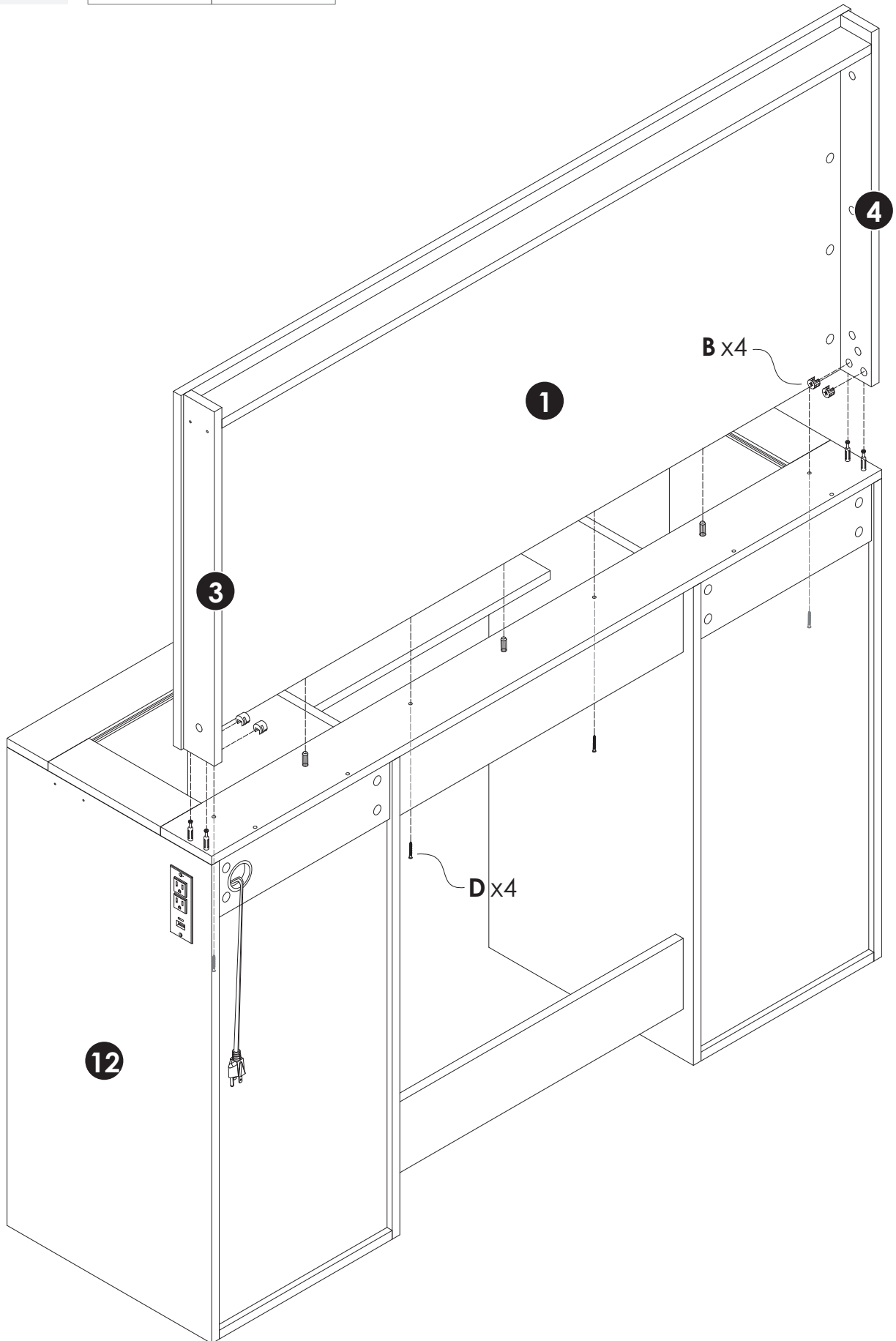


28

YOU WILL NEED

B x4

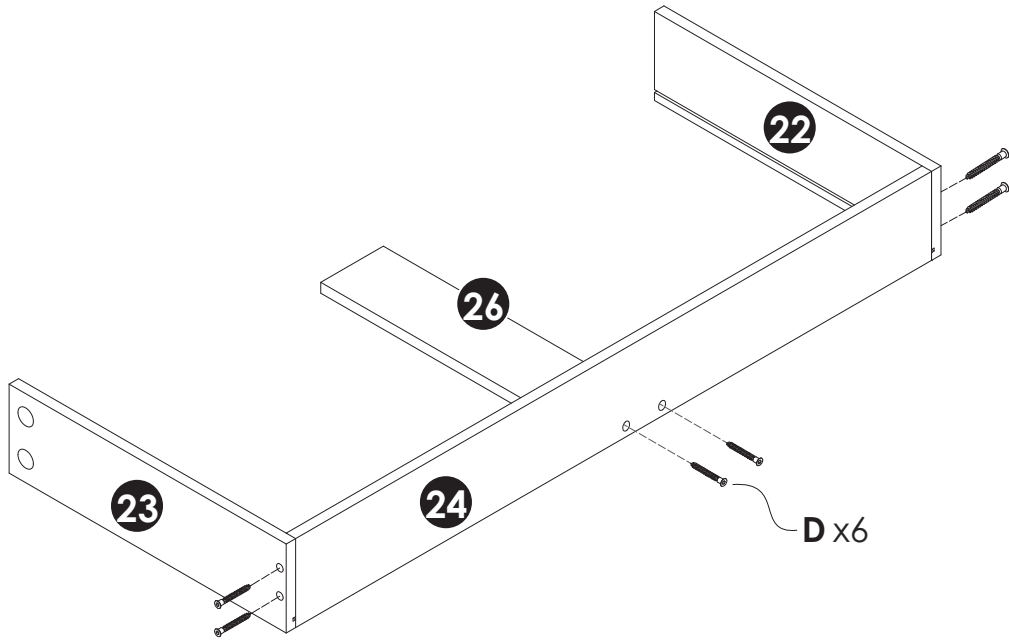
D x4



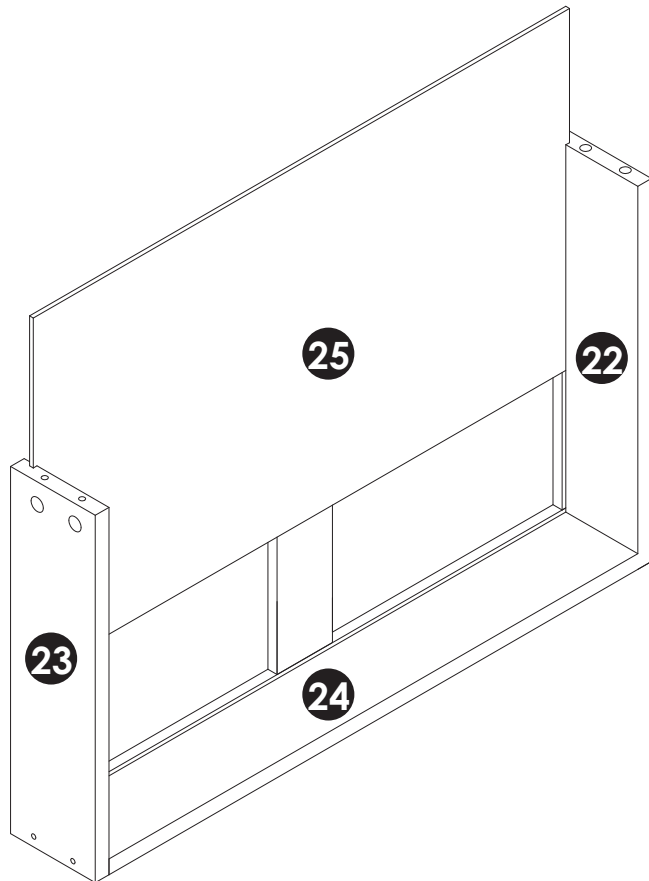
29

YOU WILL NEED

D x6



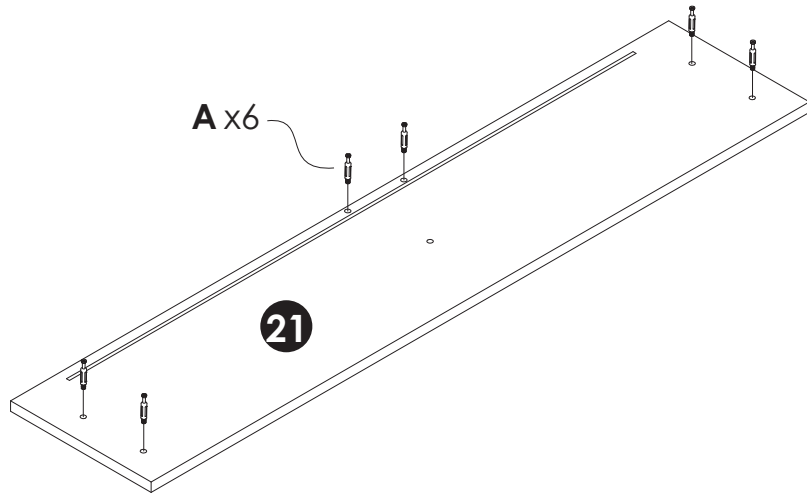
30



31

YOU WILL NEED

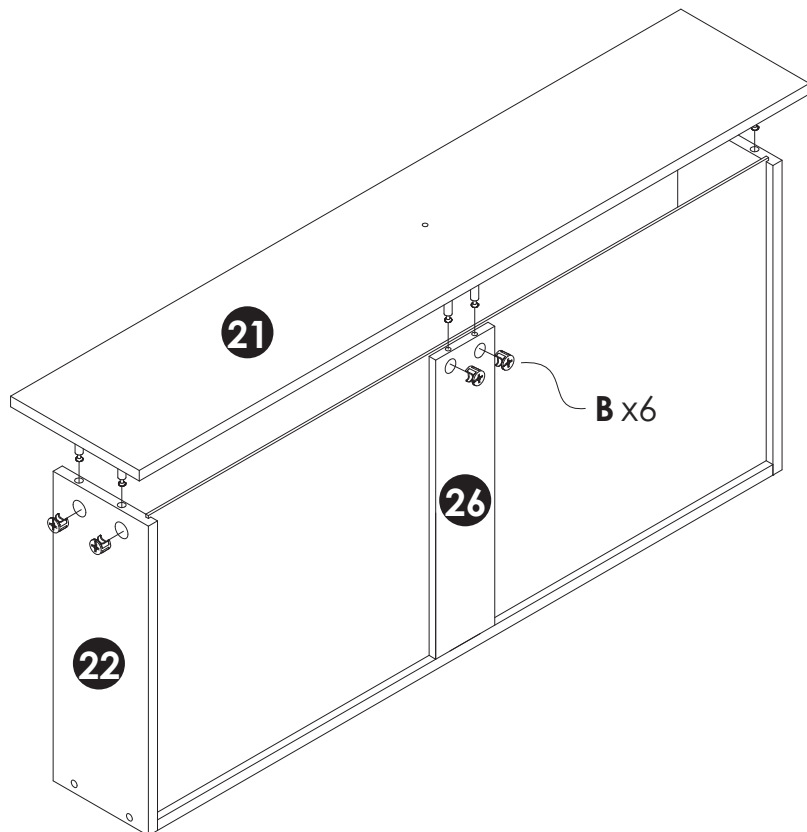
A x6



32

YOU WILL NEED

B x6

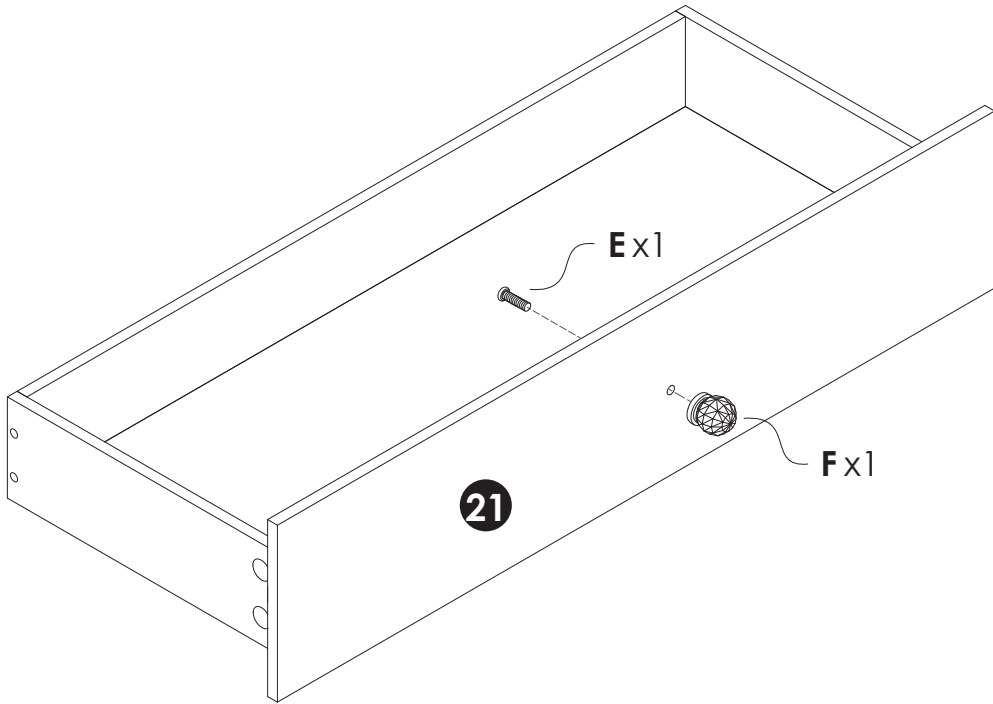


33

YOU WILL NEED

E x1

F x1



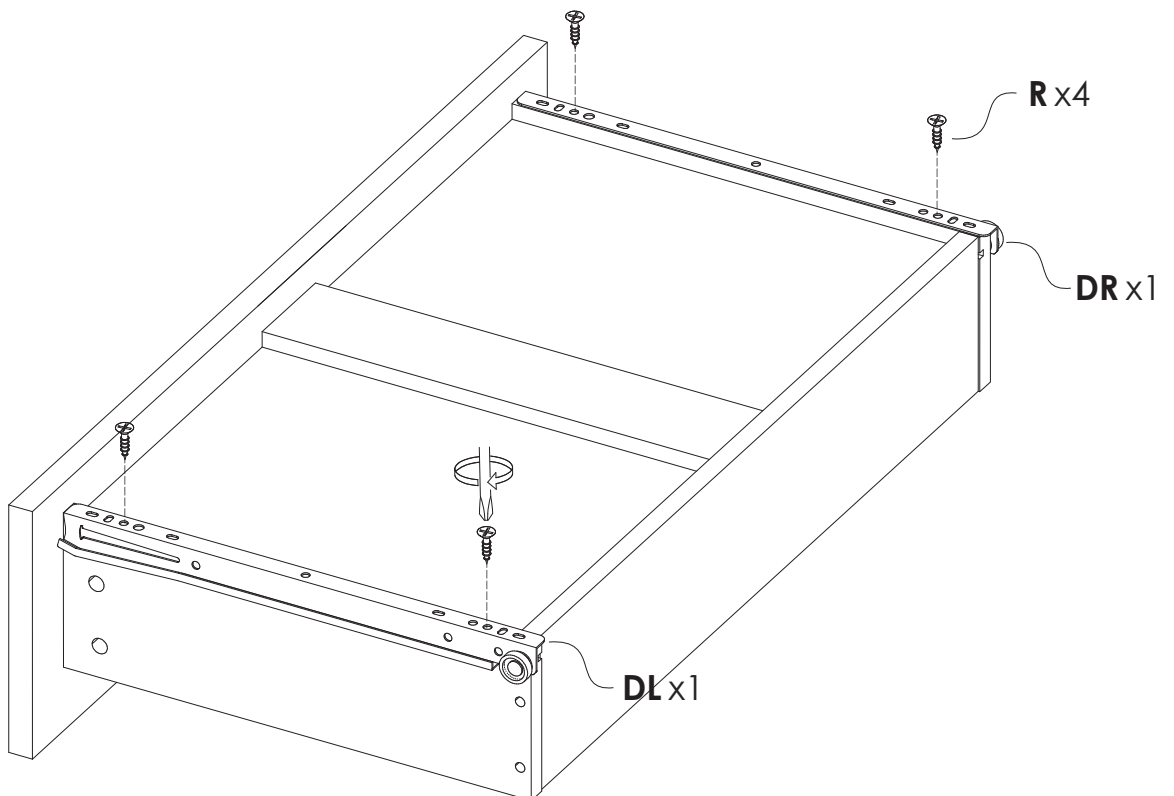
34

YOU WILL NEED

DR x1

DL x1

R x4

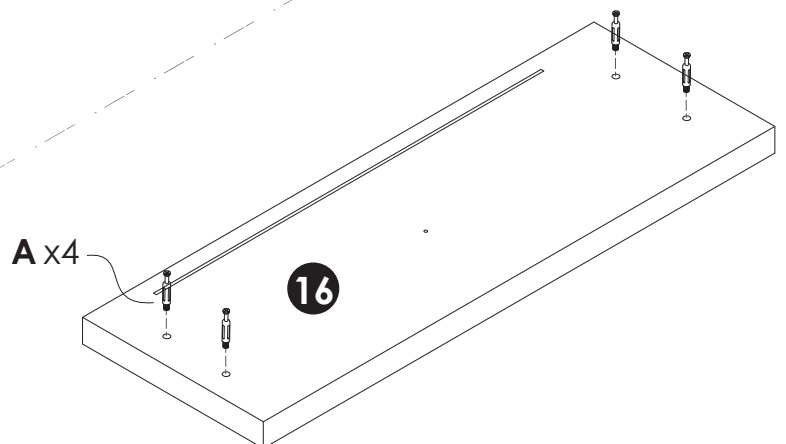
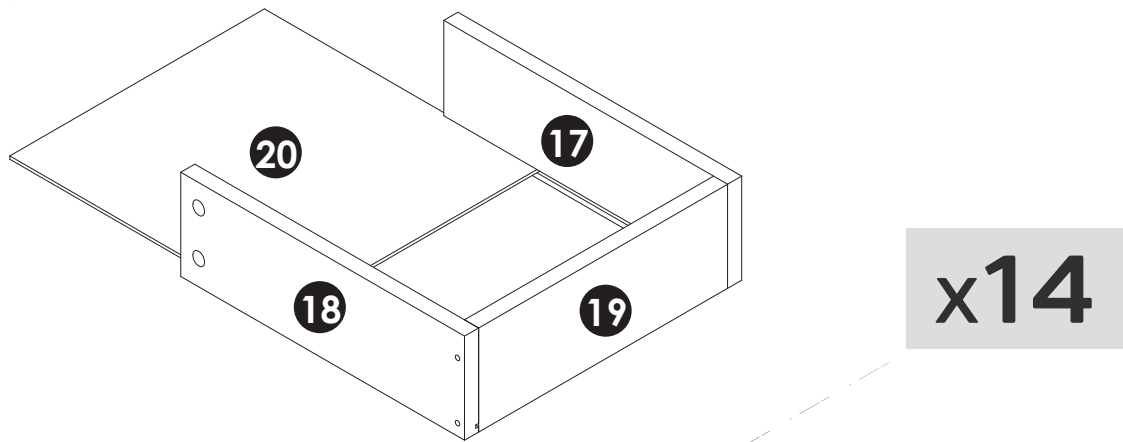
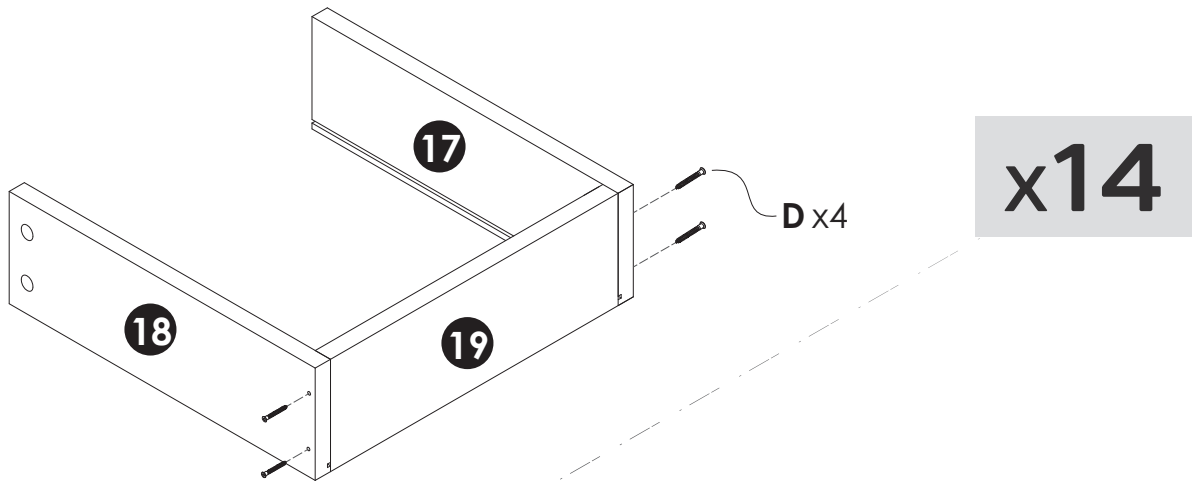


35

YOU WILL NEED

D x56

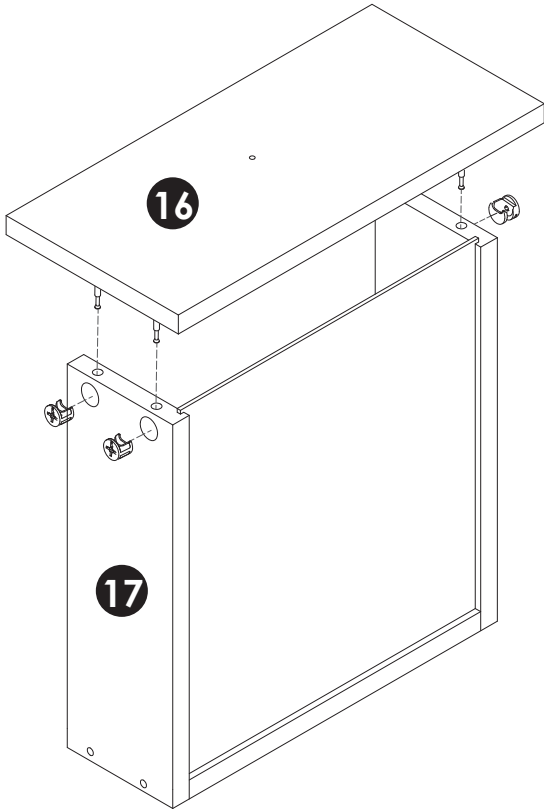
A x56



36

YOU WILL NEED

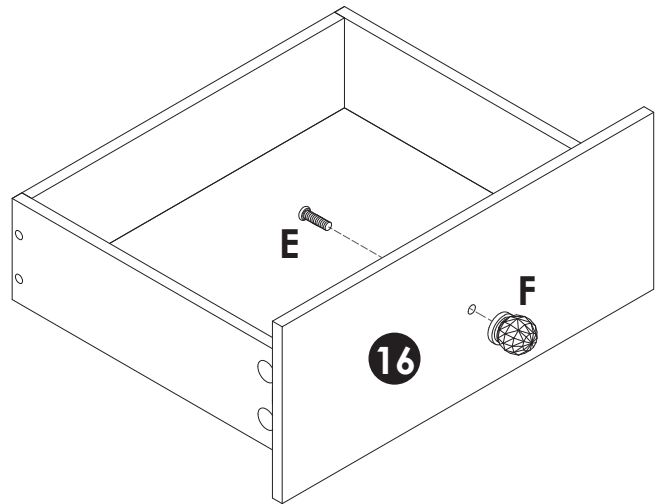
B x56



YOU WILL NEED

E x14

F x14



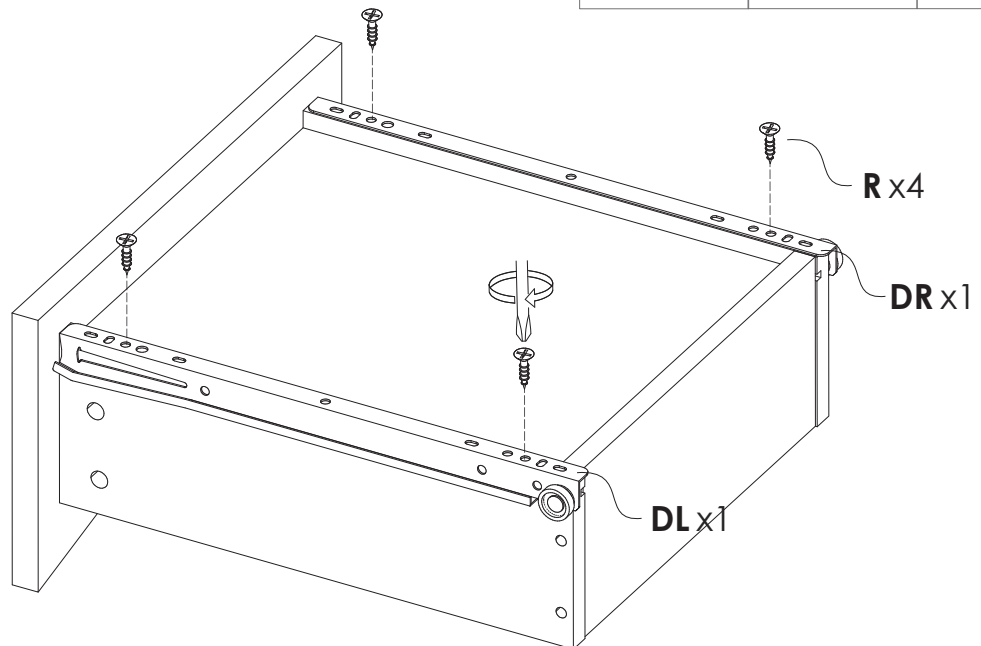
x14

YOU WILL NEED

DR x14

DL x14

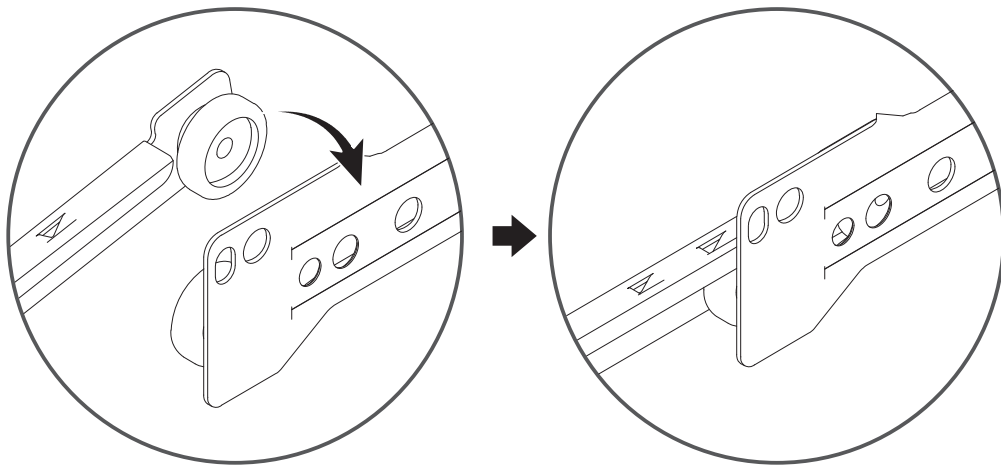
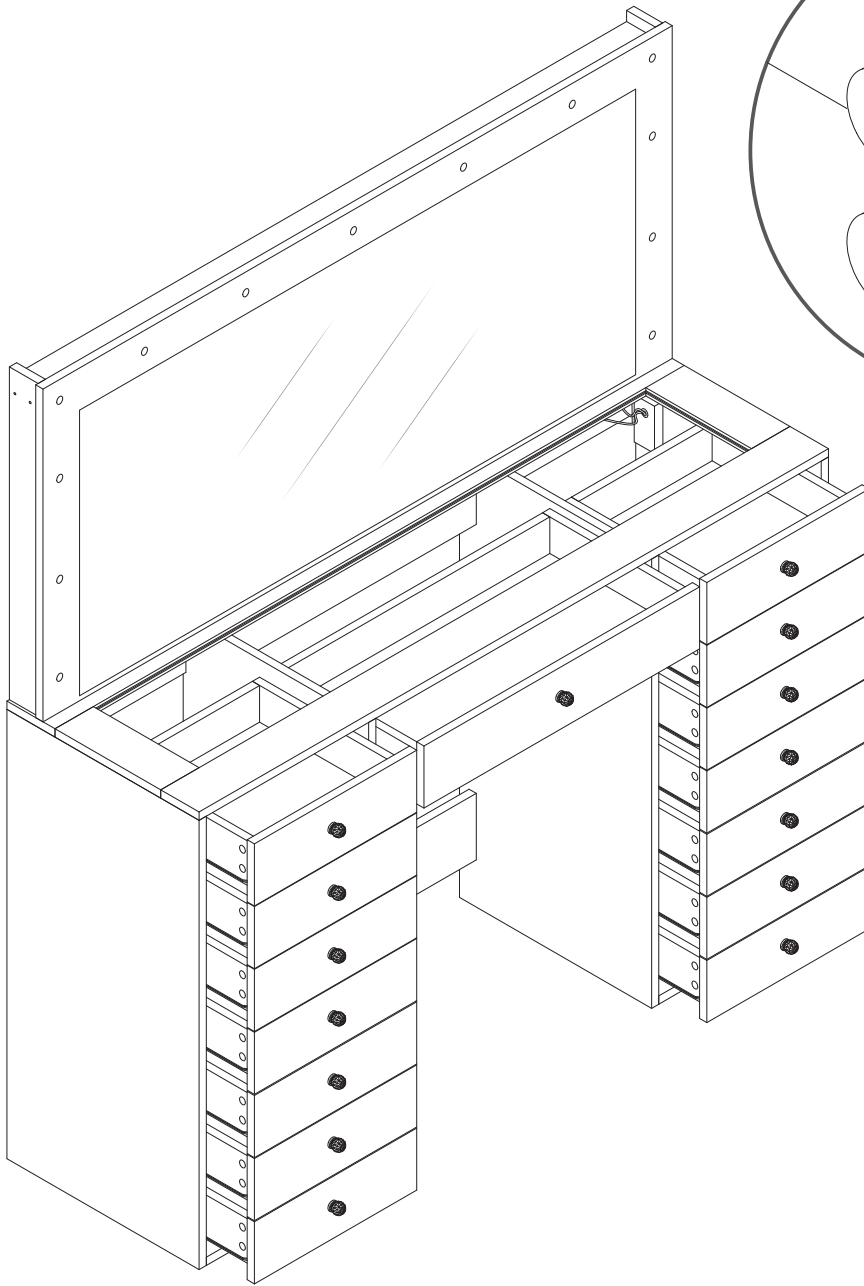
R x56

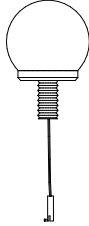



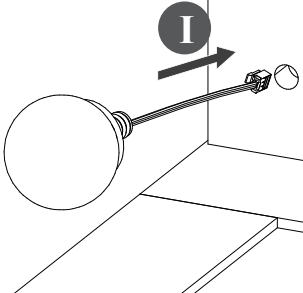
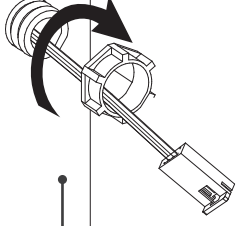
37

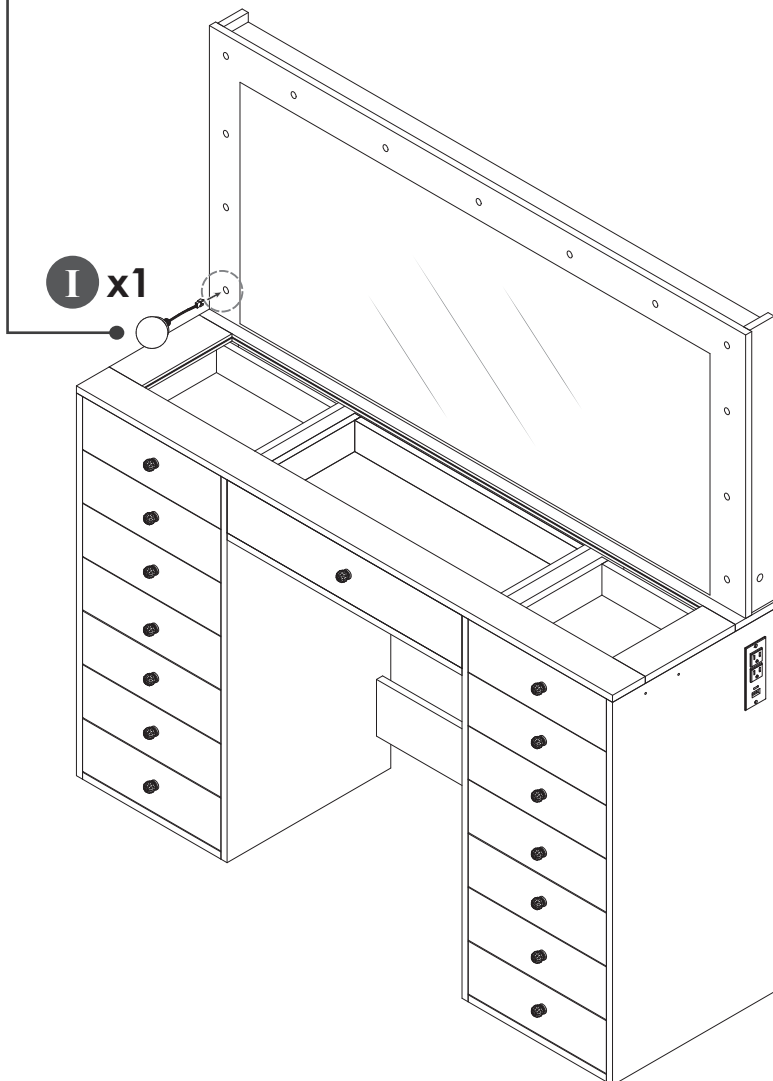
YOU WILL NEED

S x64

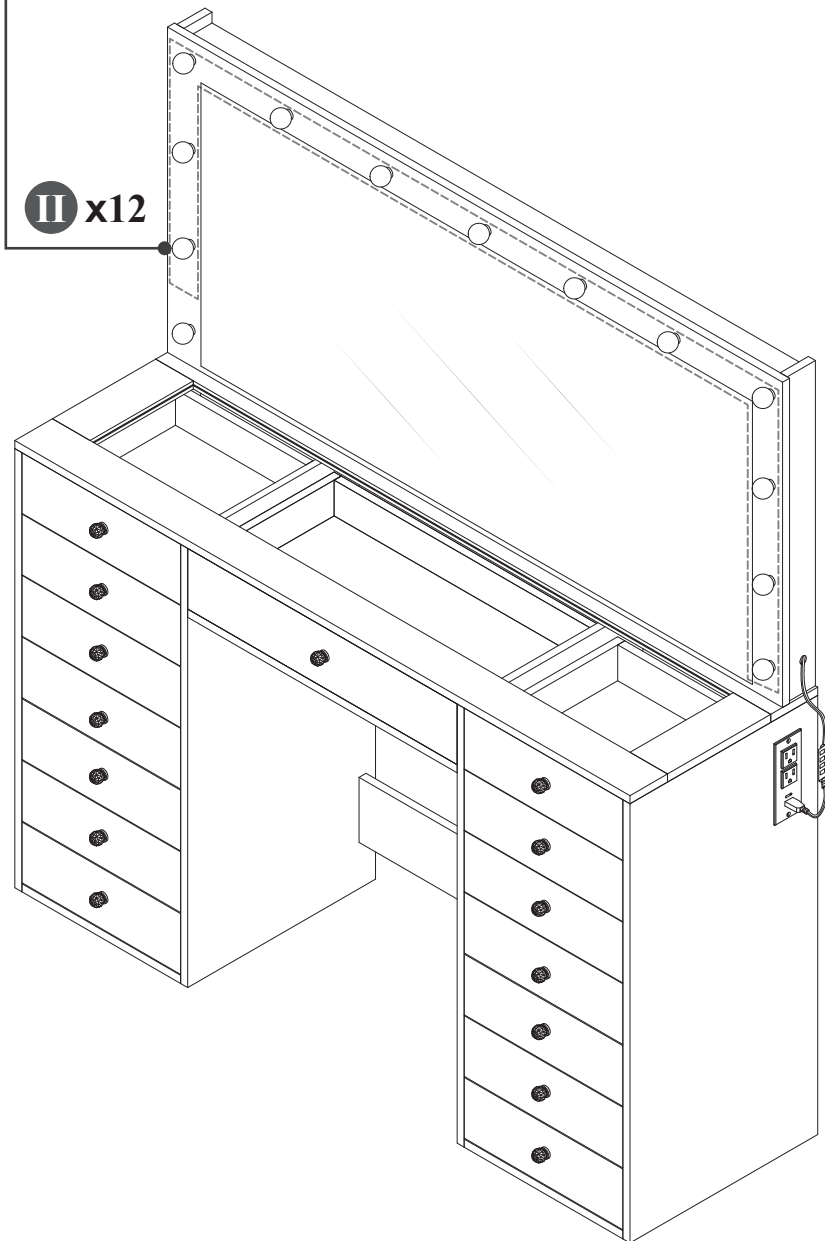
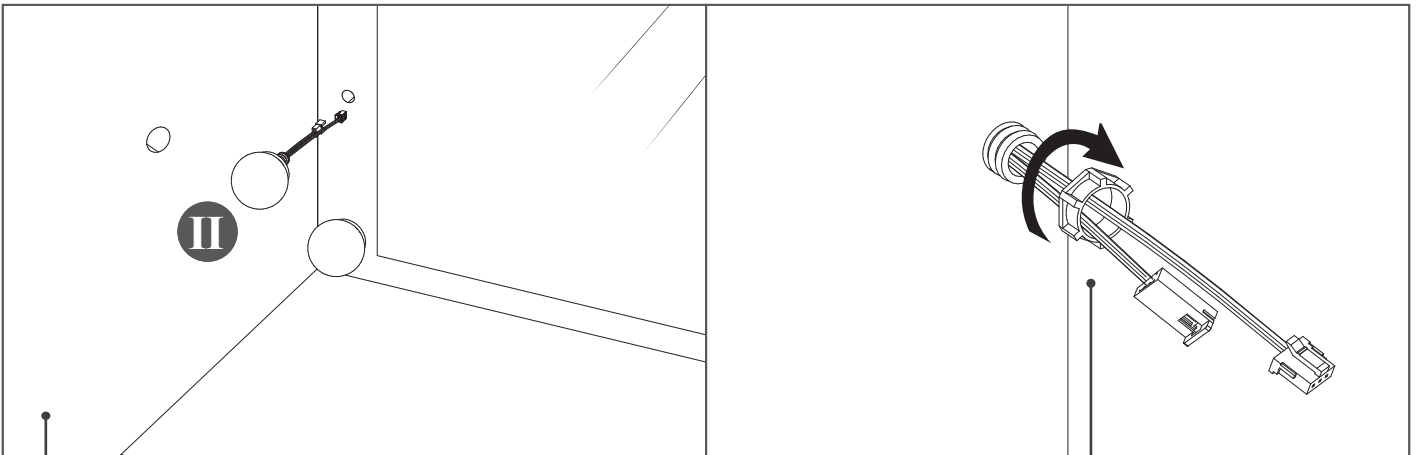


<p>I</p>  <p>x1 PC Install the first bulb</p>	<p>II</p>  <p>x12 PCS Install the other bulbs (12 pcs)</p>
--	--

	
---	---



! Note:
When installing the bulbs, remember to **tighten the nut behind the mirror plate instead of rotating the bulbs**, otherwise the wires inside the bulbs will be broken and affect normal use.



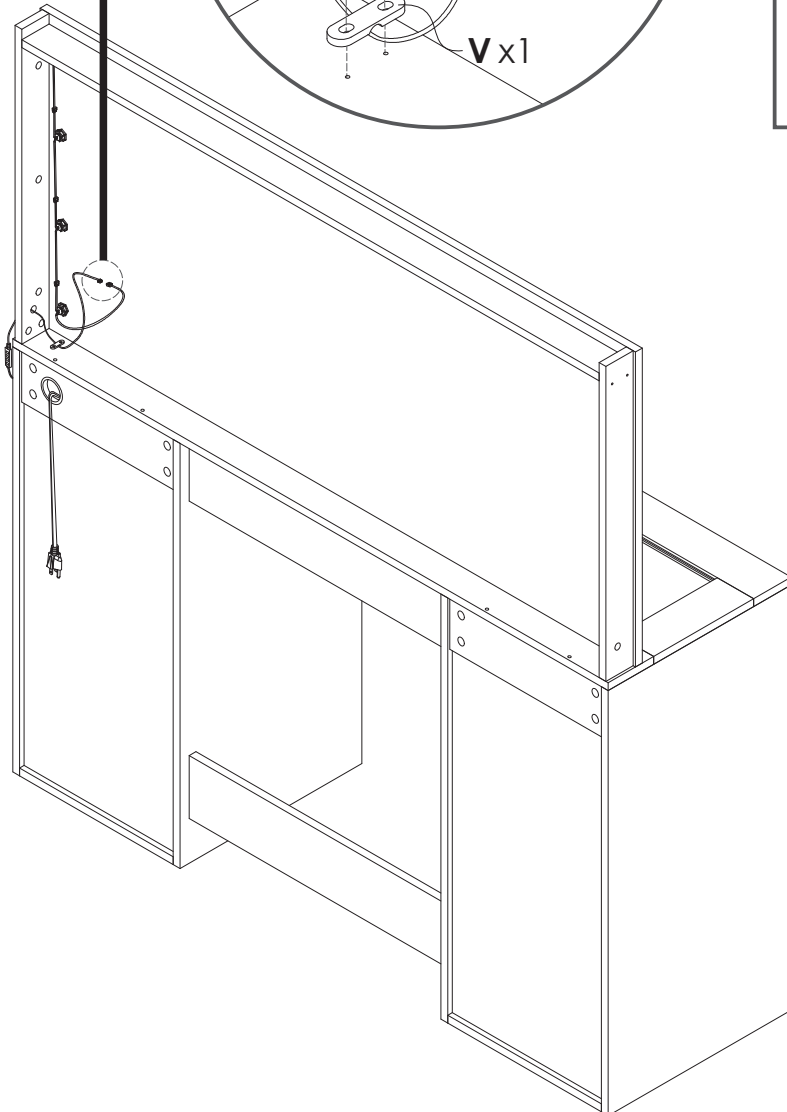
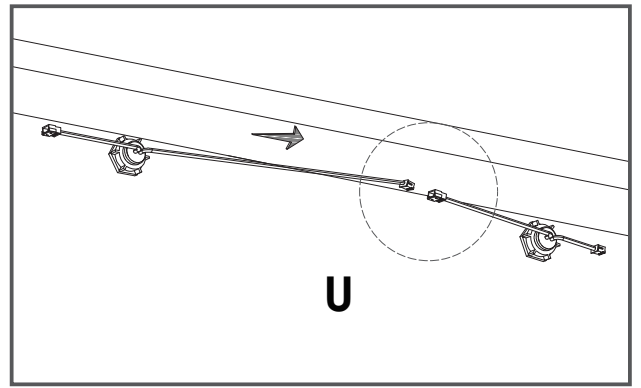
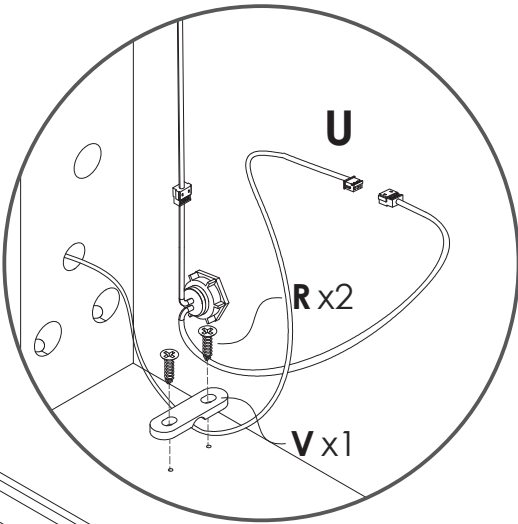
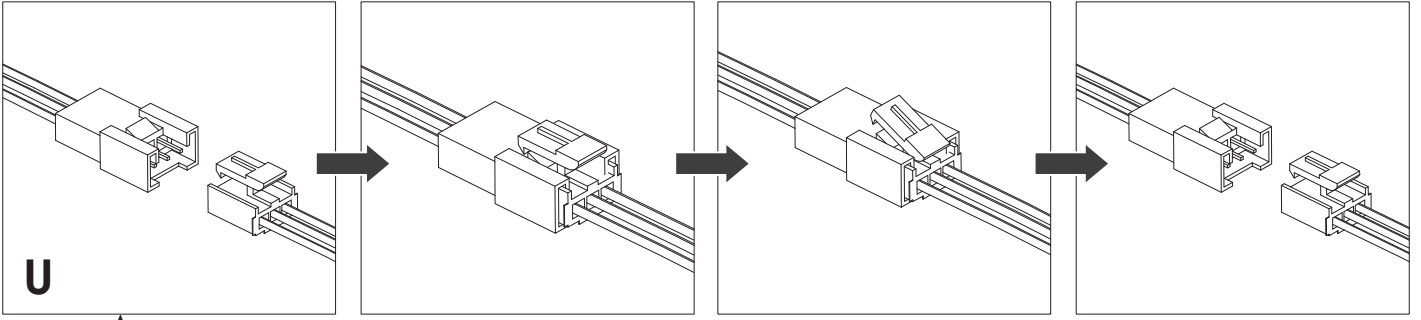
! Note:
 When installing the bulbs, remember to **tighten the nut behind the mirror plate instead of rotating the bulbs**, otherwise the wires inside the bulbs will be broken and affect normal use.

40

YOU WILL NEED

V x1

R x2

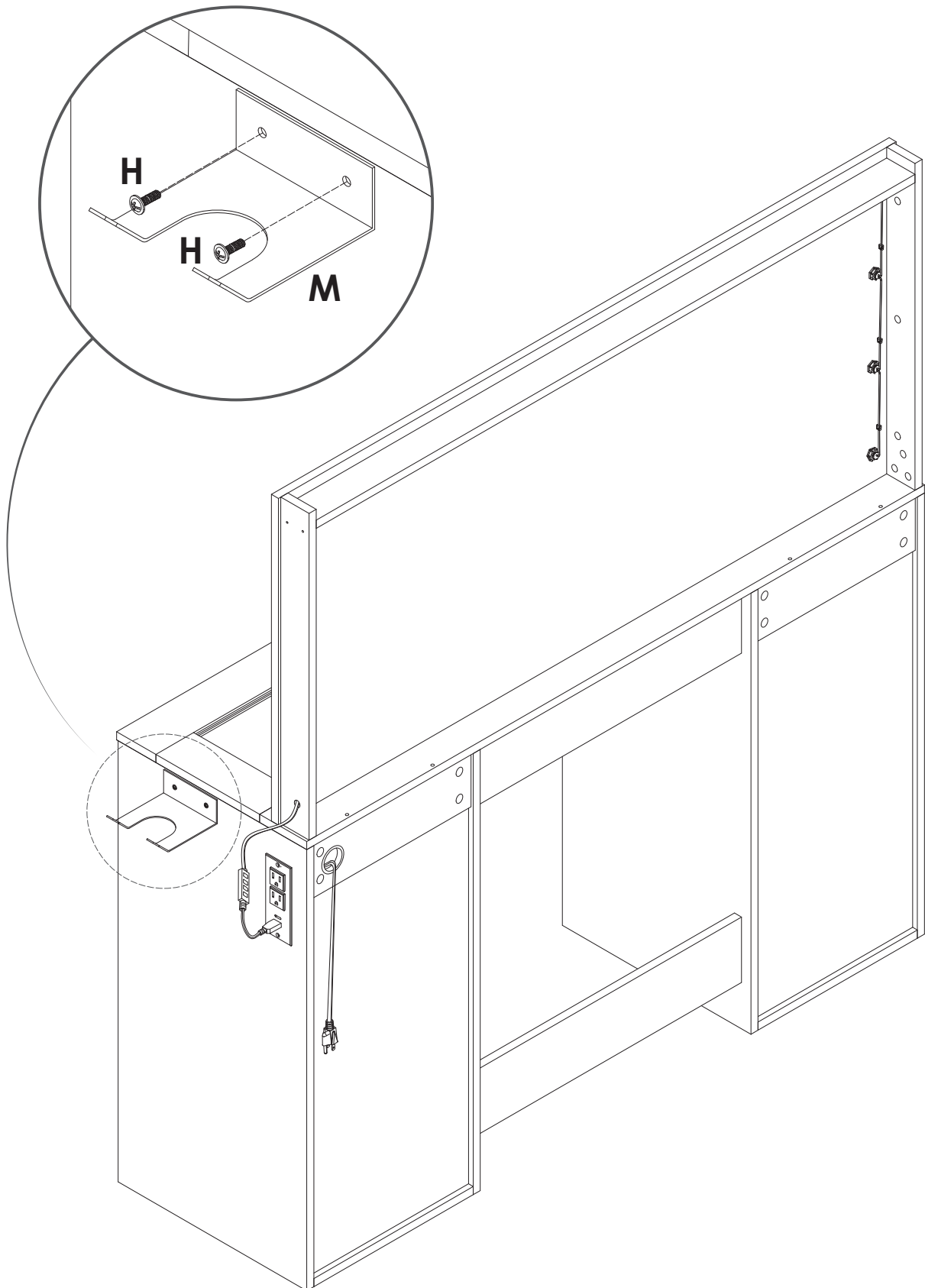


41

YOU WILL NEED

H x2

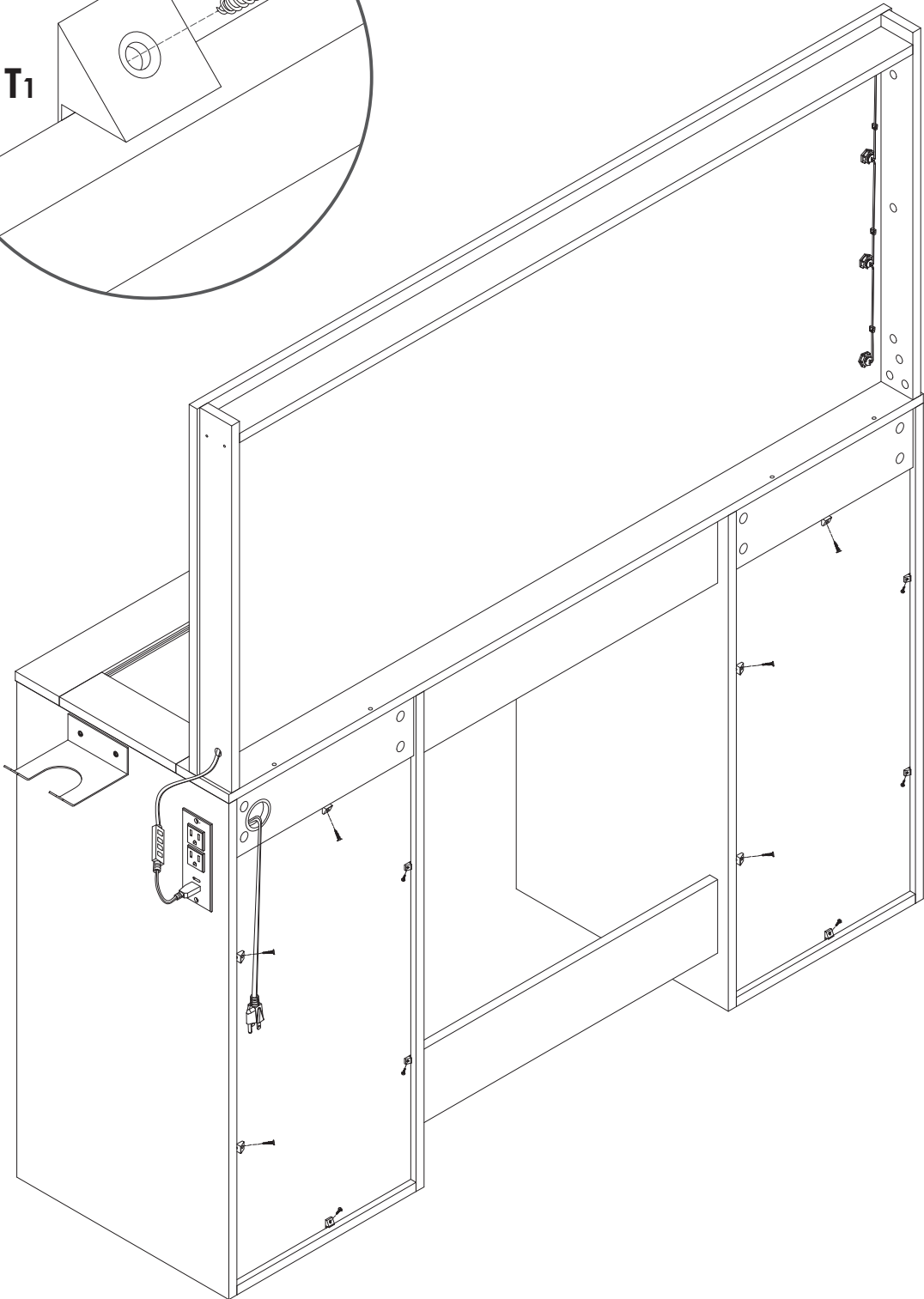
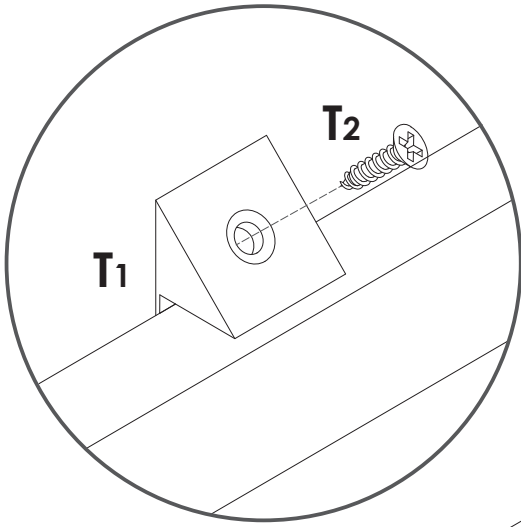
M x1



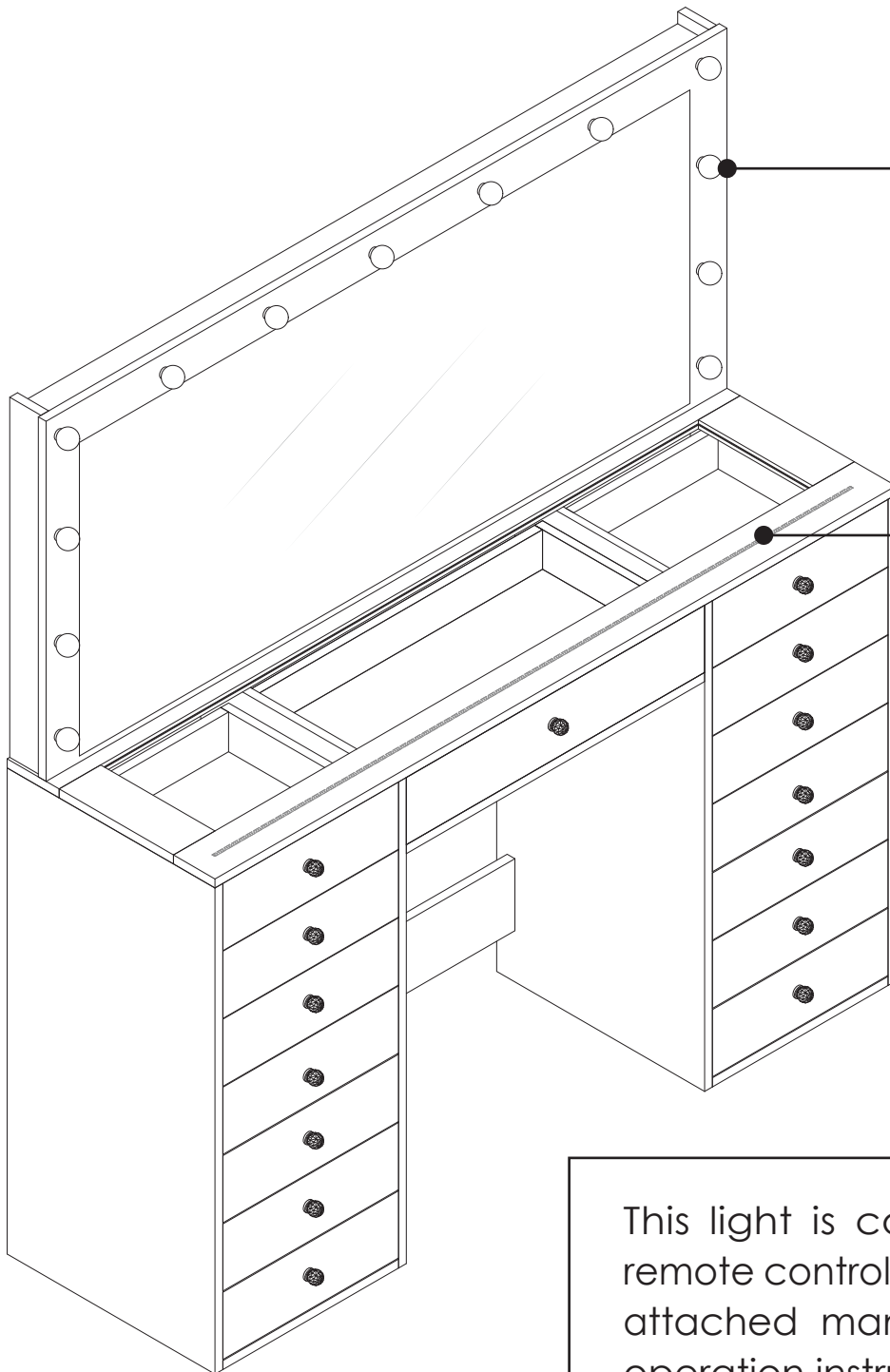
42

YOU WILL NEED

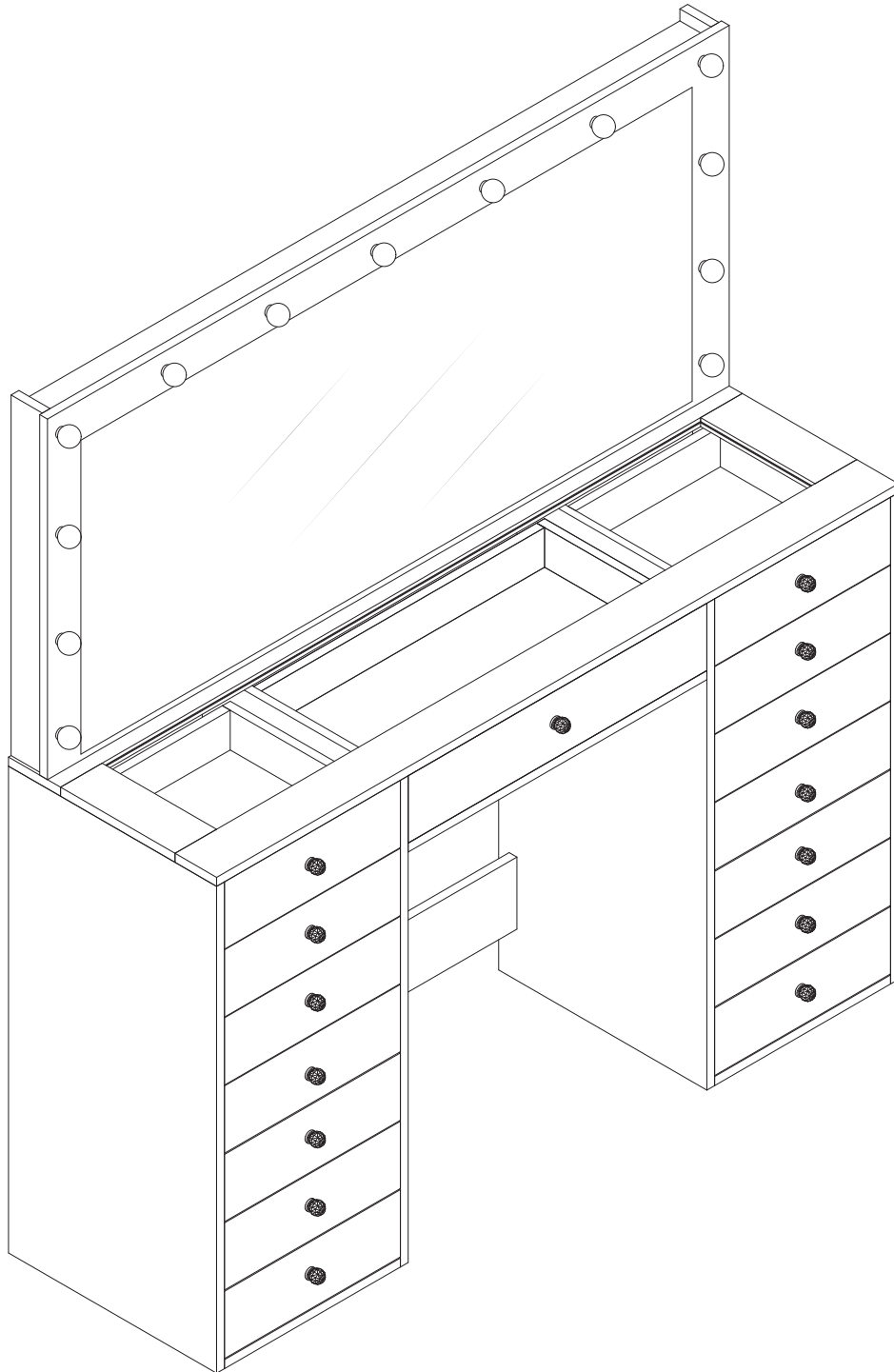
T x12



The light on the mirror is controlled by a wired switch and color adjustment. For details, please refer to the instructions in the light box.



This light is controlled by the remote control. Please follow the attached manual for detailed operation instructions.



WARRANTY

We provide an **18-month** warranty on the product starting from the date of the original purchase. If the product has any manufacturing defect, please contact us through email with details about the problem. We will send you further information about the return or exchange.

WARNING

INGESTION HAZARD: This product contains a button cell or coin battery. **DEATH** or serious injury can occur if ingested.

A swallowed button cell or coin battery can cause **Internal Chemical Burns** in as little as **2 hours**.

KEEP new and used batteries **OUT OF REACH of CHILDREN**

Seek immediate medical attention if a battery is suspected to be swallowed or inserted inside any part of the body.



- Remove and immediately recycle or dispose of used batteries according to local regulations and keep away from children. Do NOT dispose of batteries in household trash or incinerate.
- Even used batteries may cause severe injury or death.
- Call a local poison control center for treatment information.
- This product contains a CR2025,DC3V coin battery. A coin battery can cause serious internal chemical burns if swallowed.
- Non-rechargeable batteries are not to be recharged.
- Do not force discharge, recharge, disassemble, heat above 132°F (60°C) or incinerate. Doing so may result in injury due to venting, leakage or explosion resulting in chemical burns.
- Ensure the batteries are installed correctly according to polarity (+ and -).
- Do not mix old and new batteries, different brands or types of batteries, such as alkaline, carbon-zinc, or rechargeable batteries.
- Remove and immediately recycle or dispose of batteries from equipment not used for an extended period of time according to local regulations.
- Always completely secure the battery compartment. If the battery compartment does not close securely, stop using the product, remove the batteries, and keep them away from children.