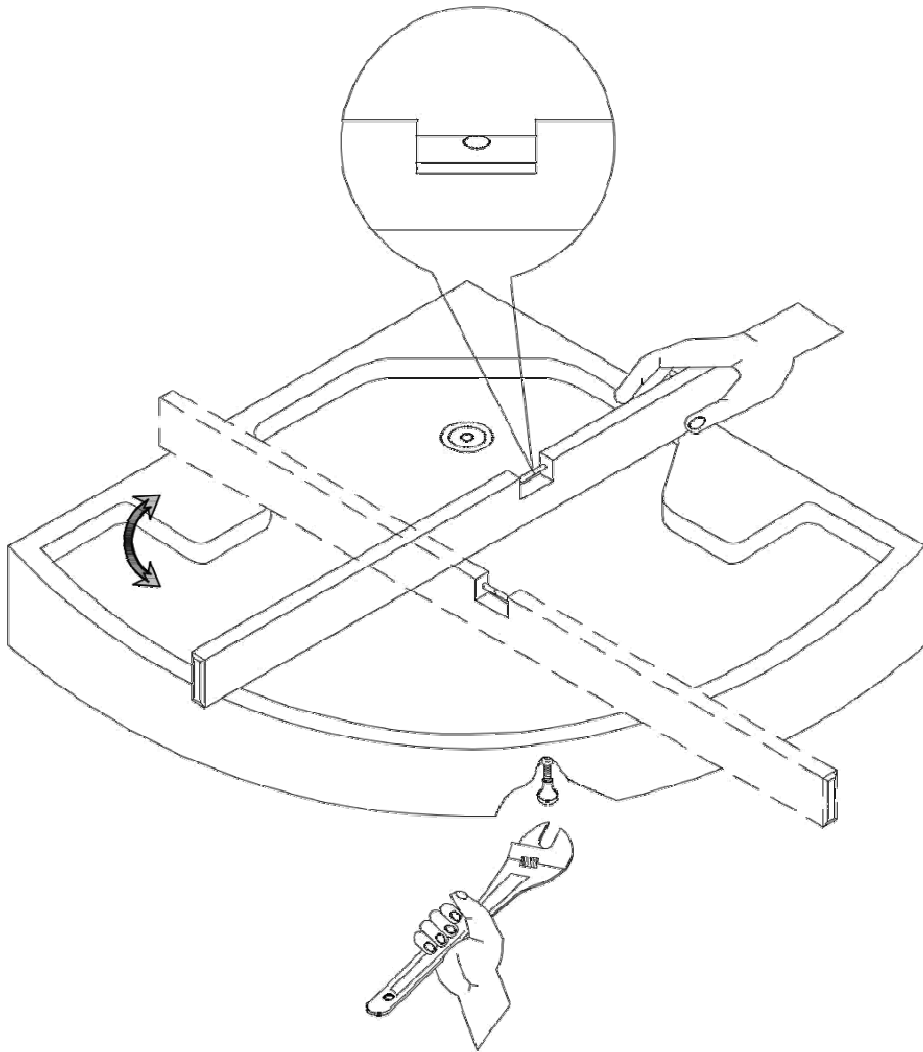
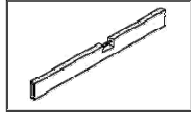
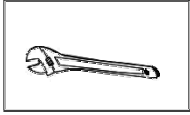
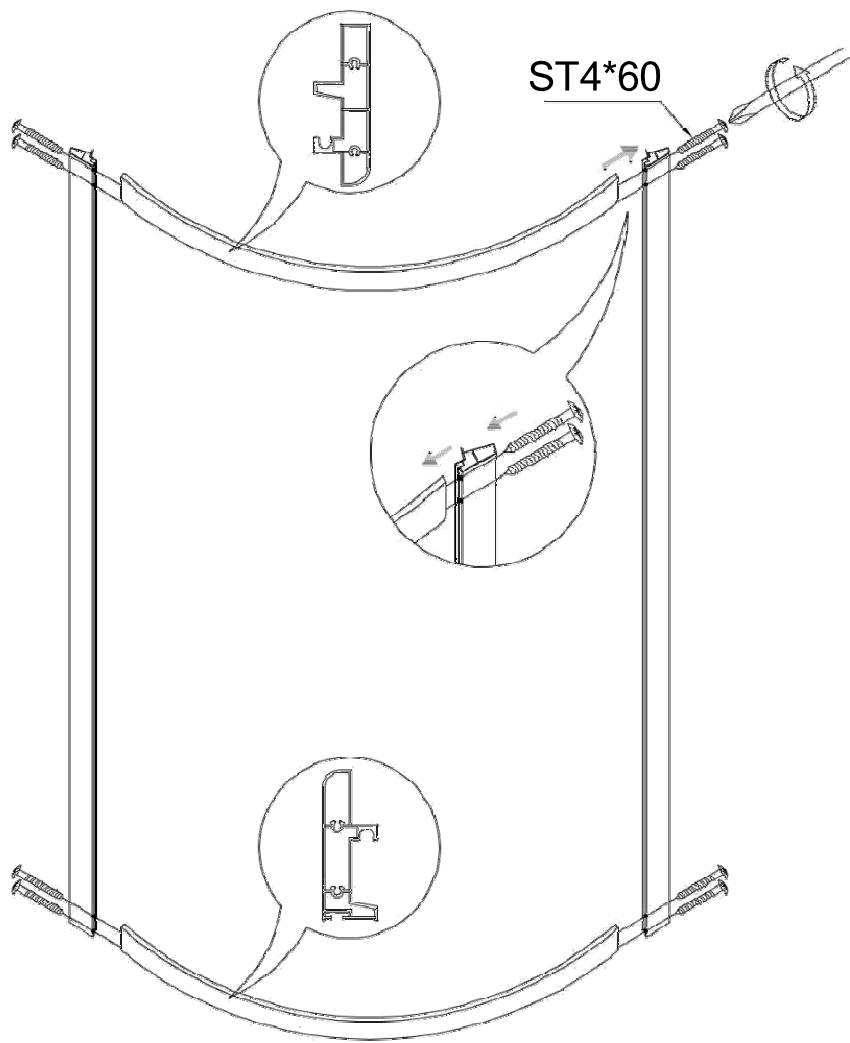
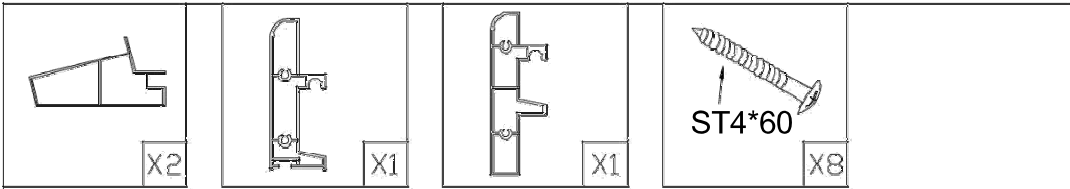


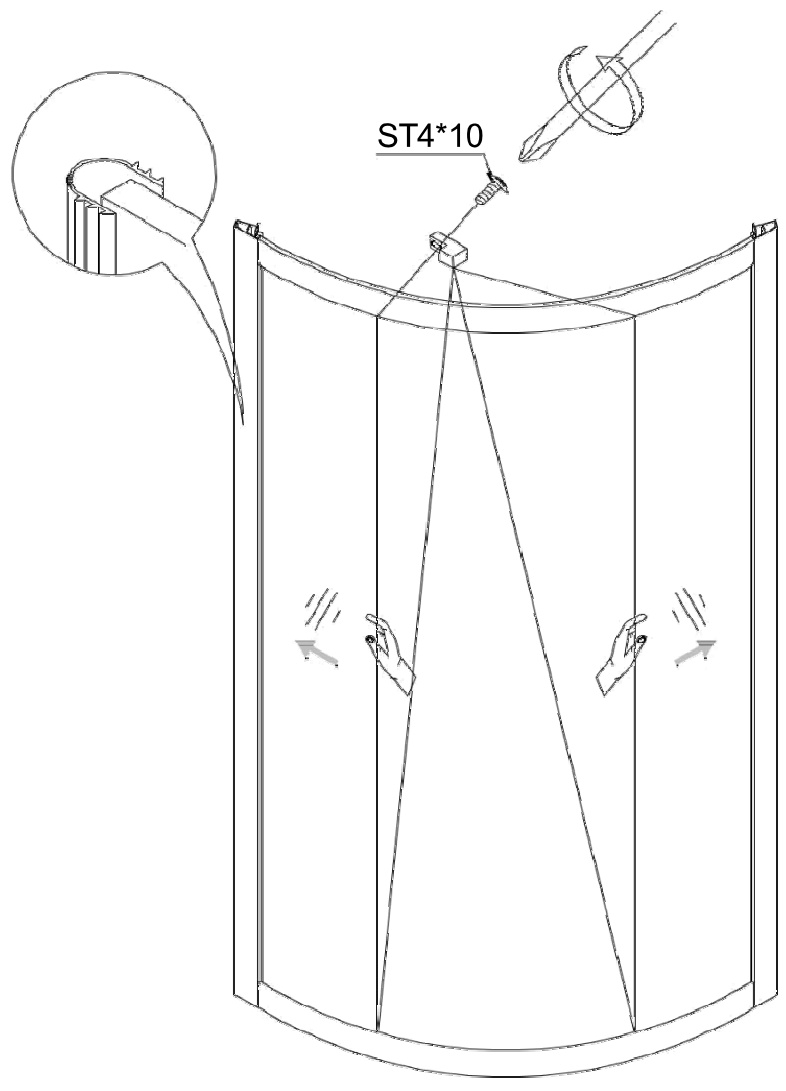
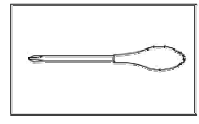
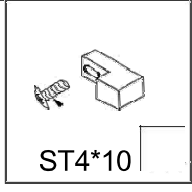
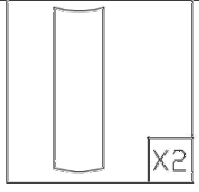
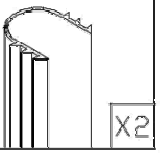
X1



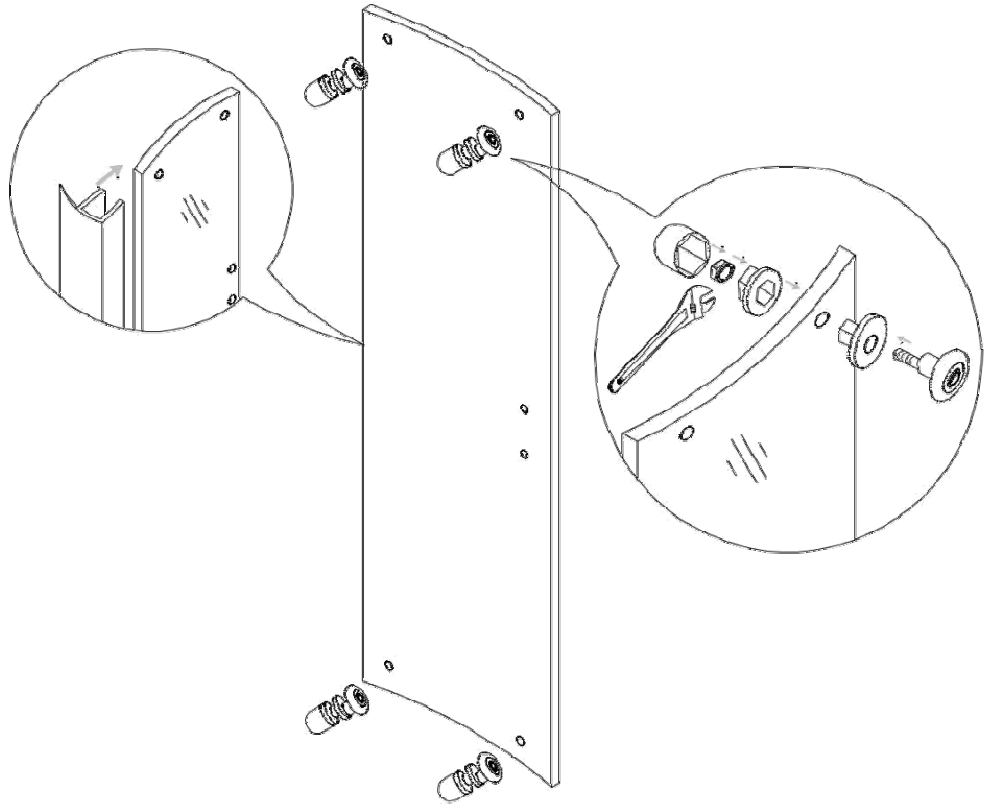
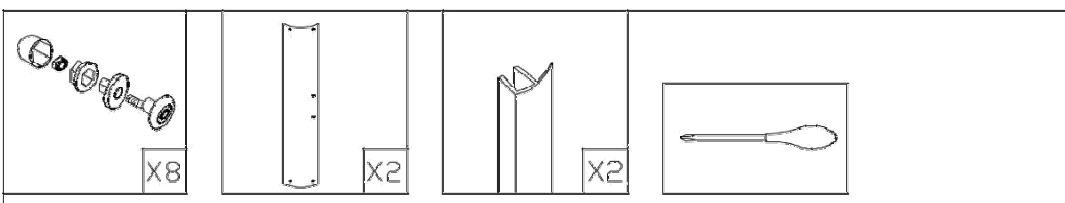
4

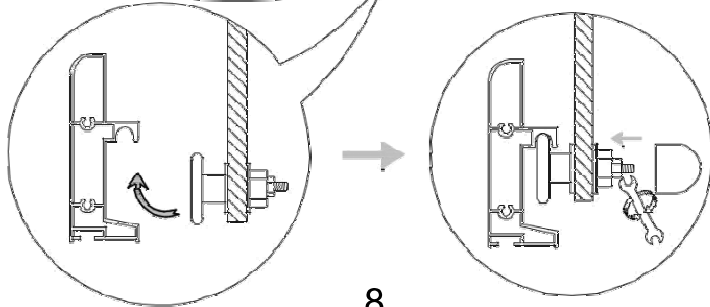
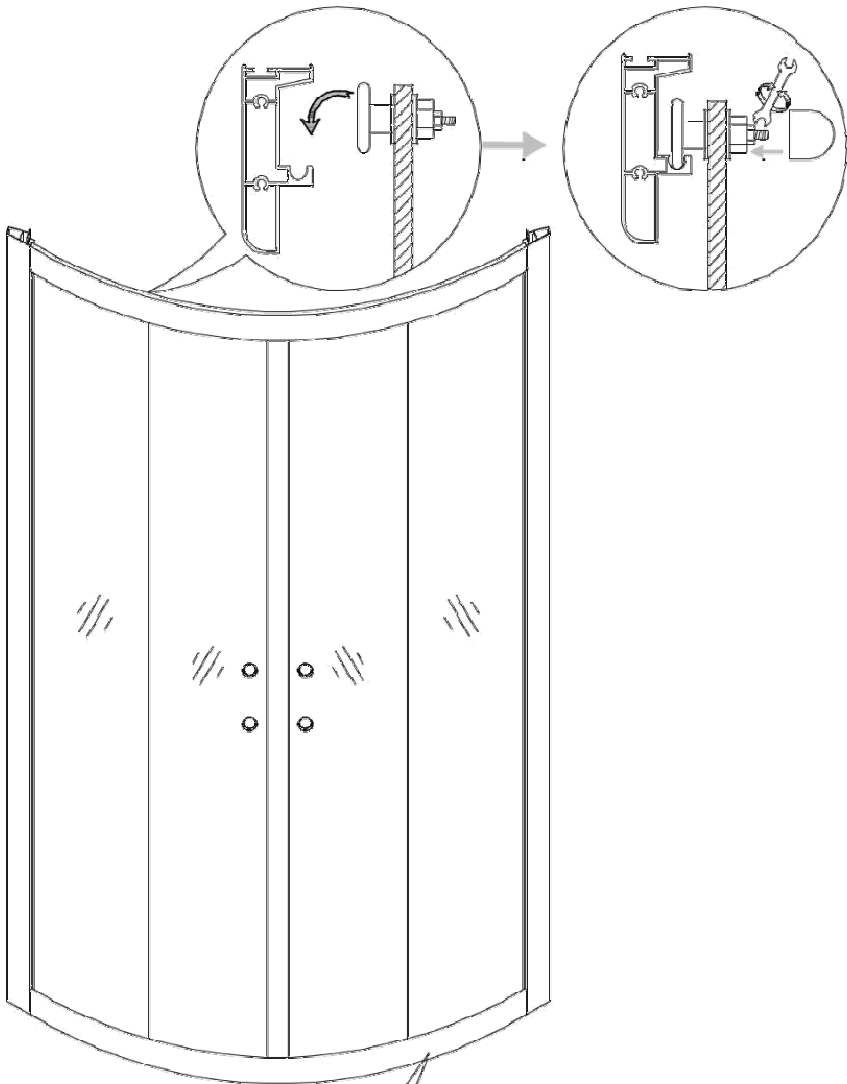


5

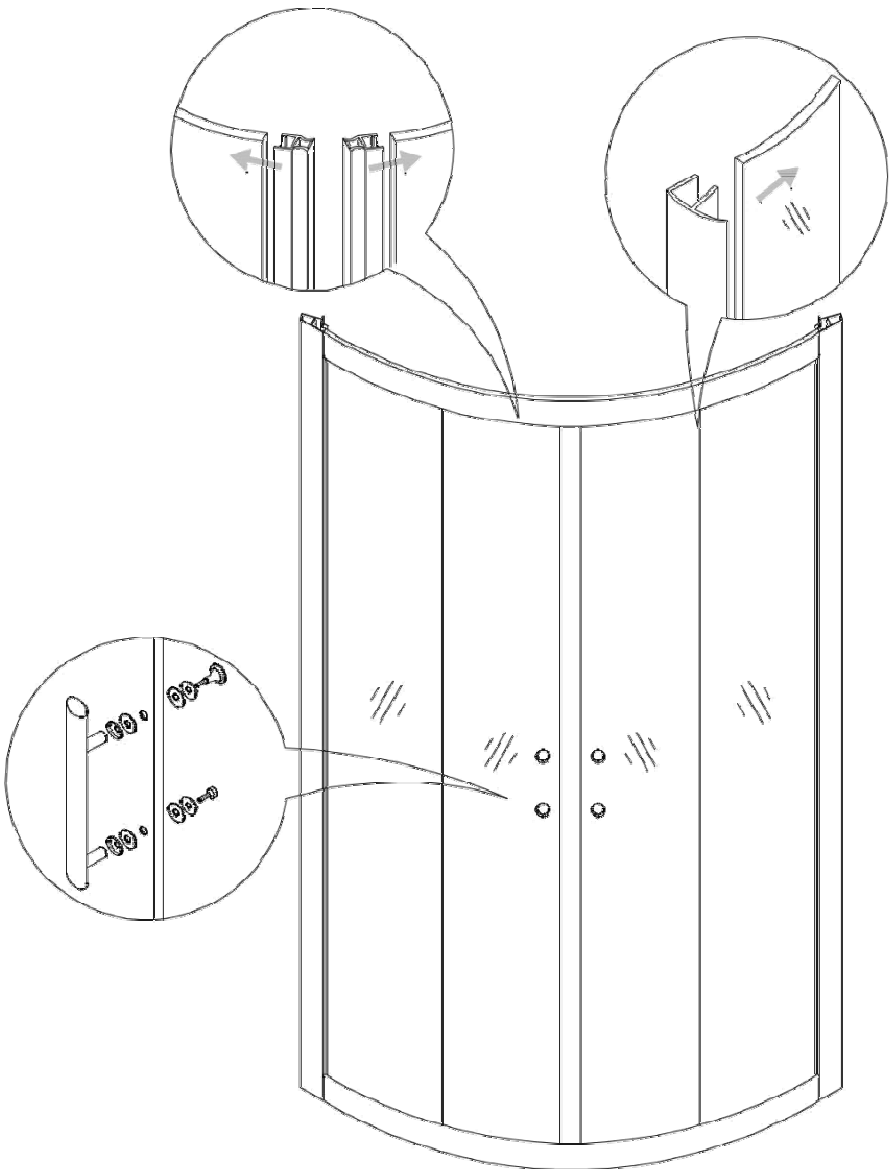
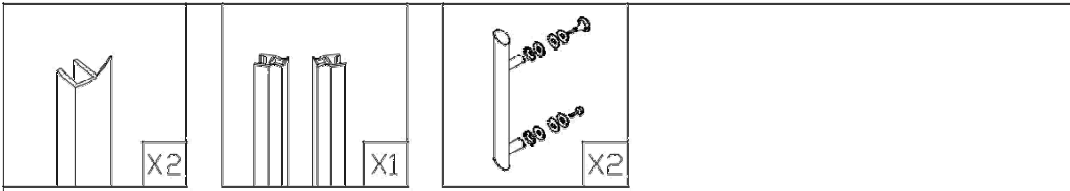


6

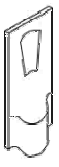




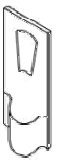
8



9



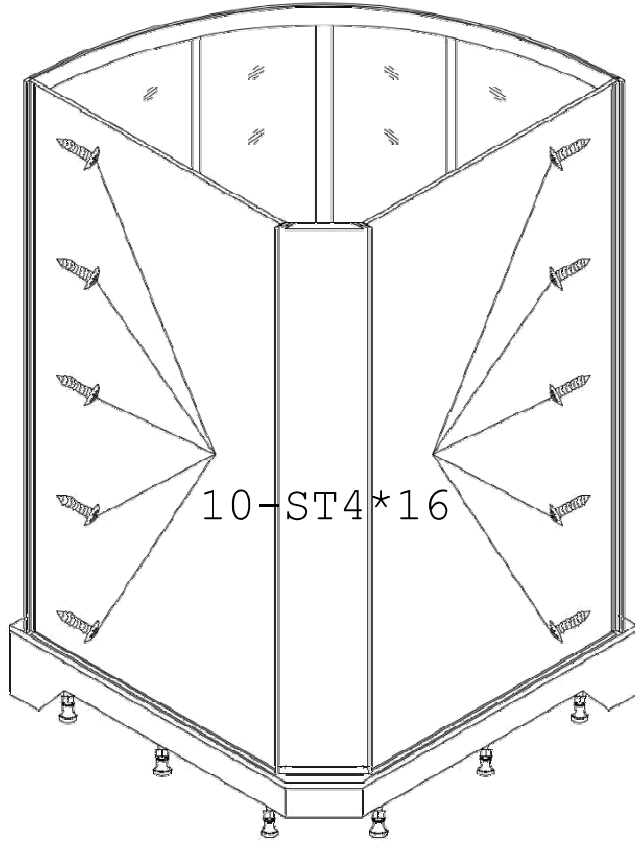
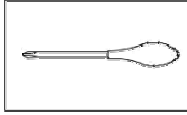
X1



X1

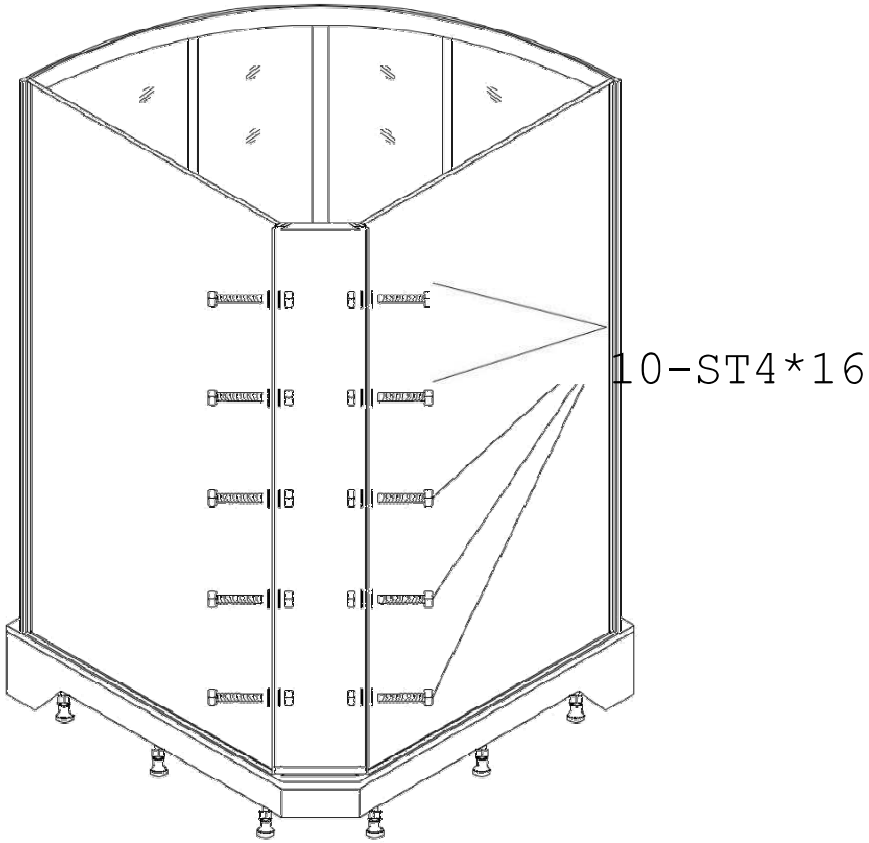
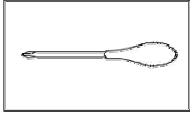


ST4*16 X10





ST4*16 X10



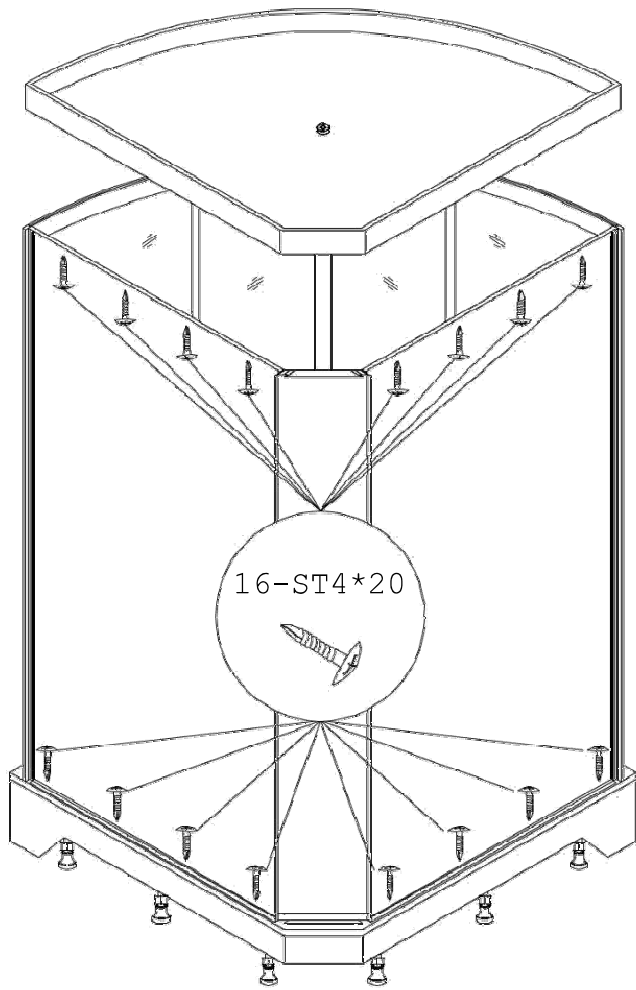
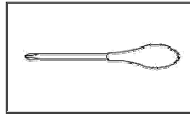


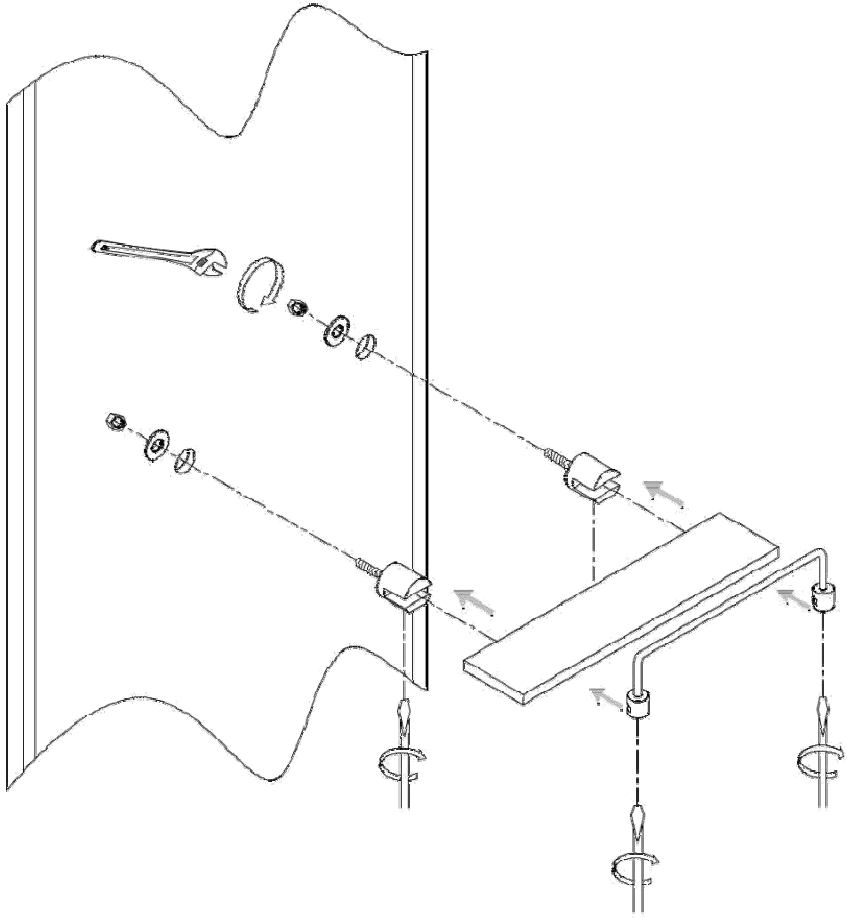
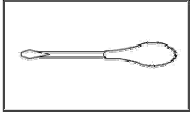
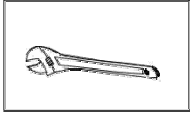
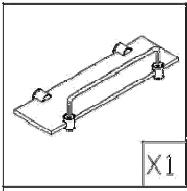
X1

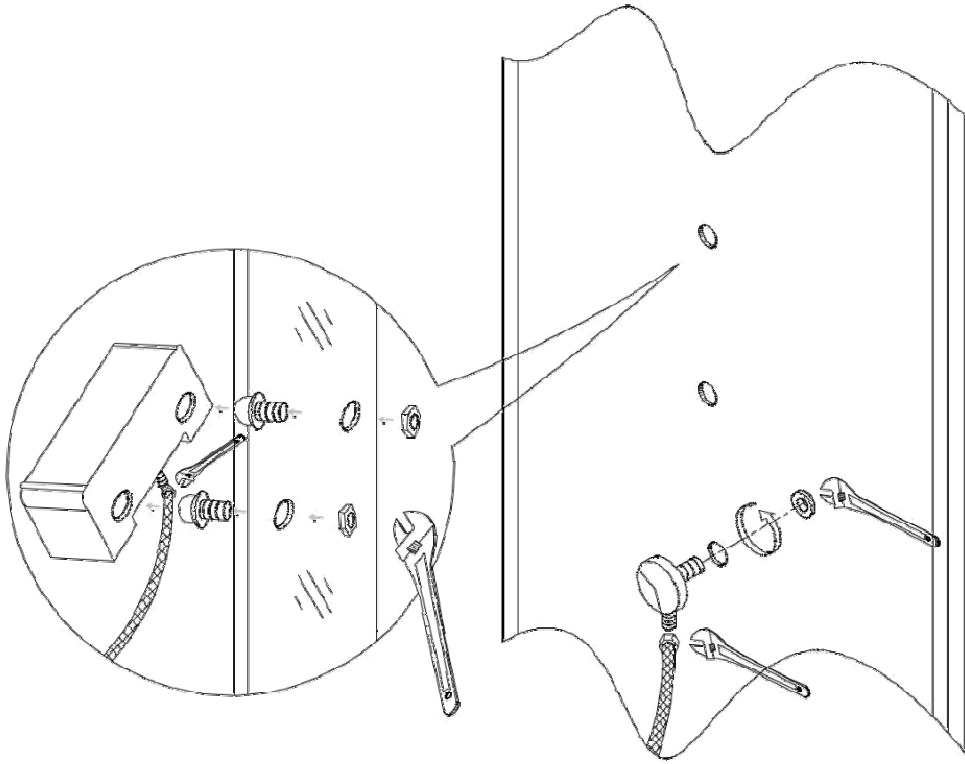
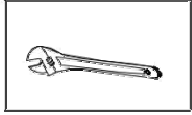
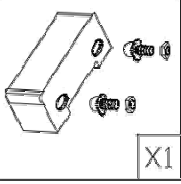


ST4*20

X 16

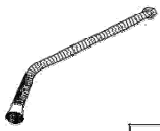








X1



X1



X1

