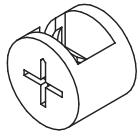


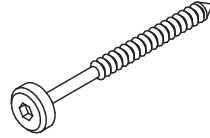
A x8



B x8

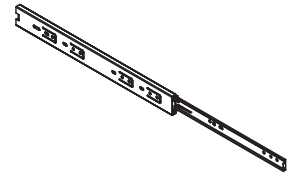


C x4



5X40

D x4

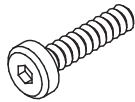


E x22



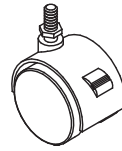
3.5X14

F x 22

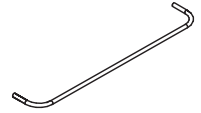


6X35

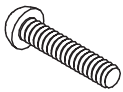
G x4



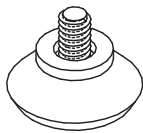
H x1



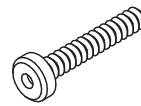
J x2



K x6

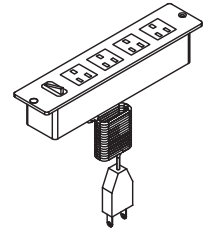


L x12

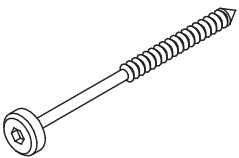


6X45

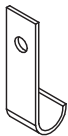
M x1



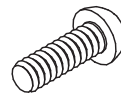
N x8



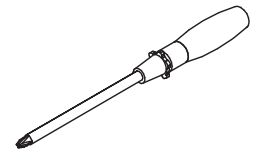
O x4



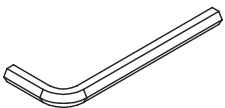
P x4



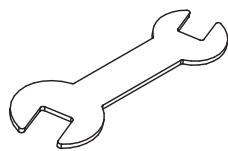
x1



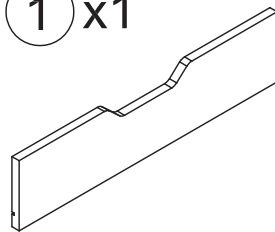
x1



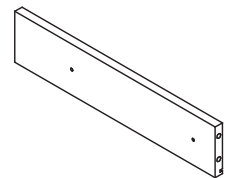
x1



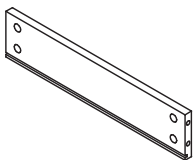
① x1



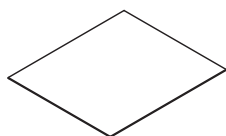
② x1



③ x1



④ x1

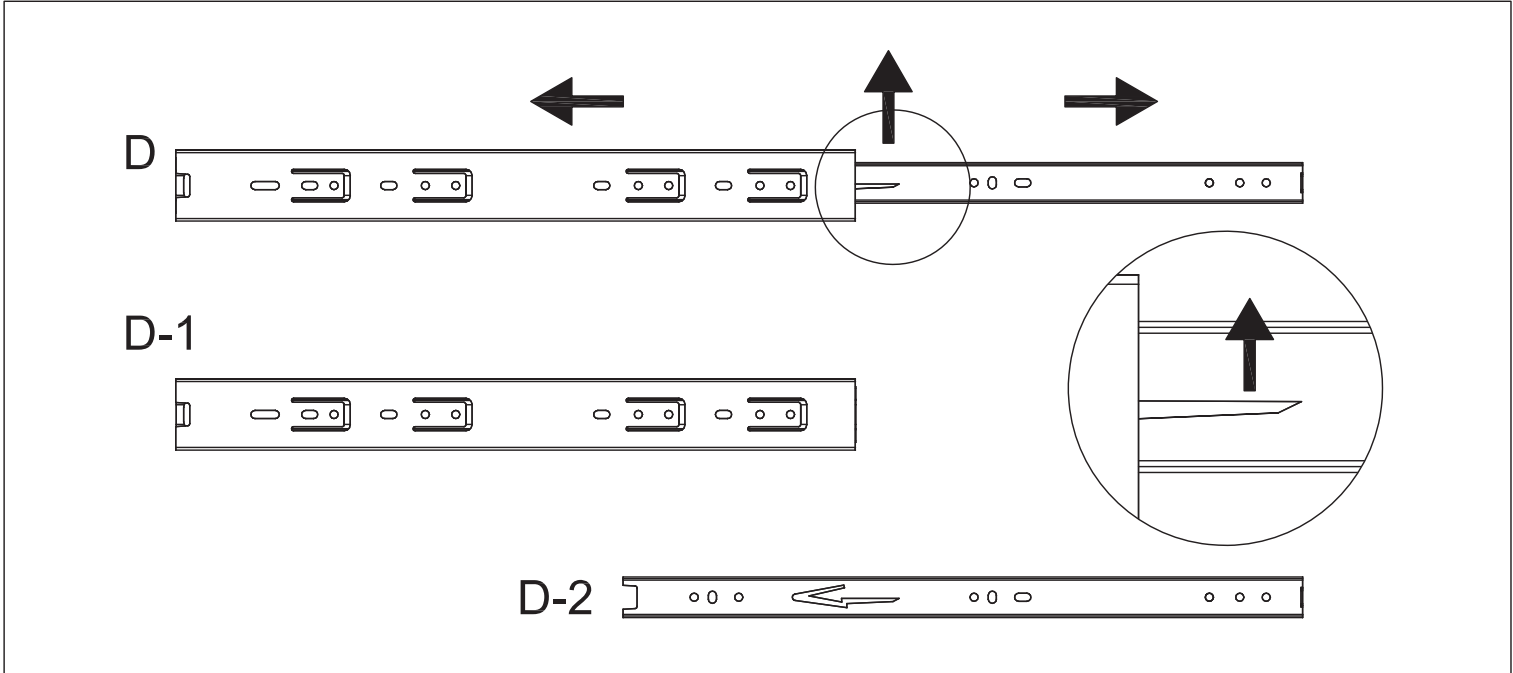
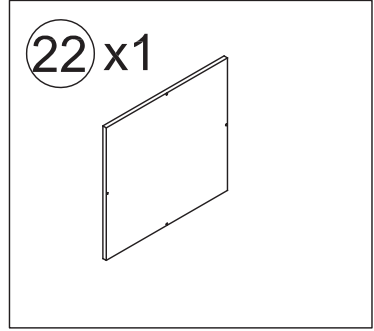
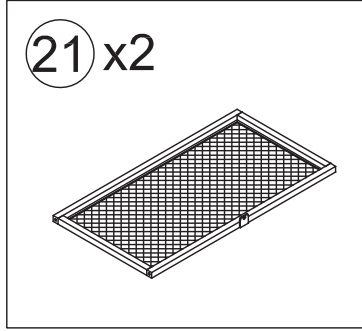
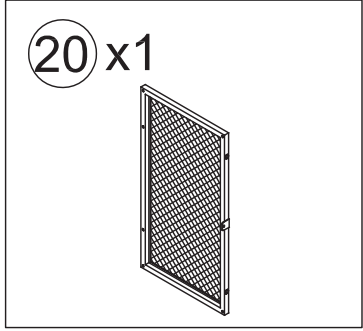
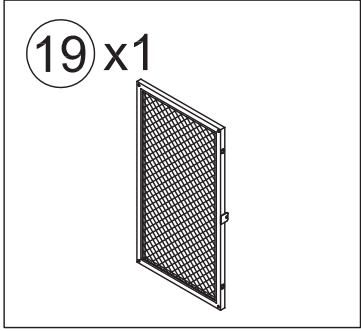
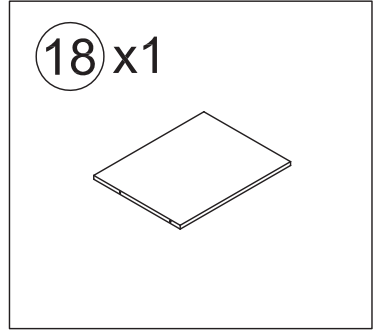
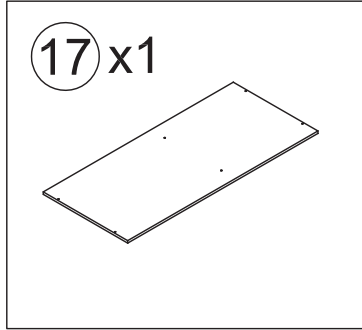
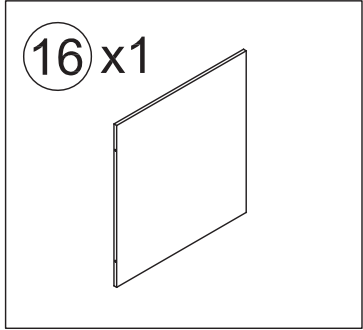
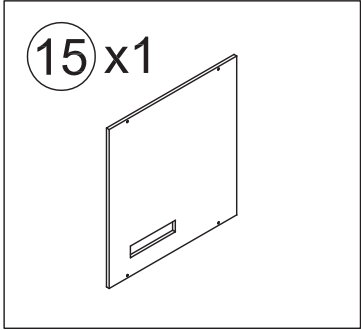
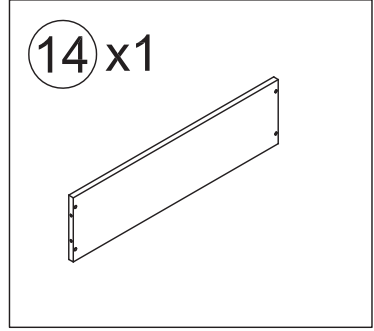
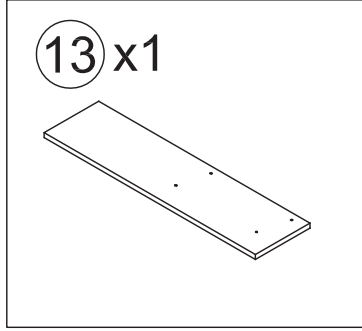
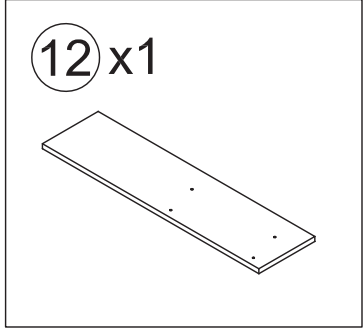
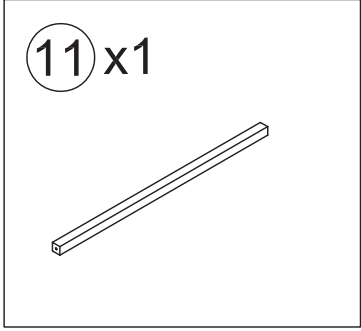
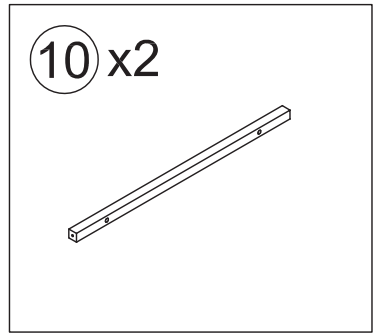
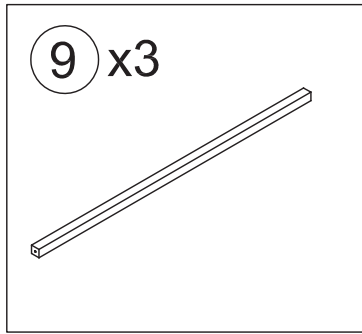
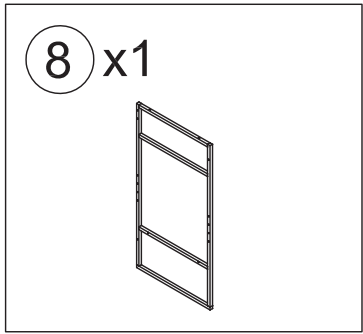
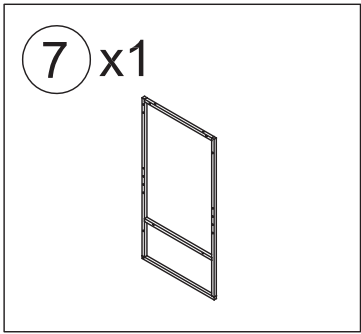


⑤ x1

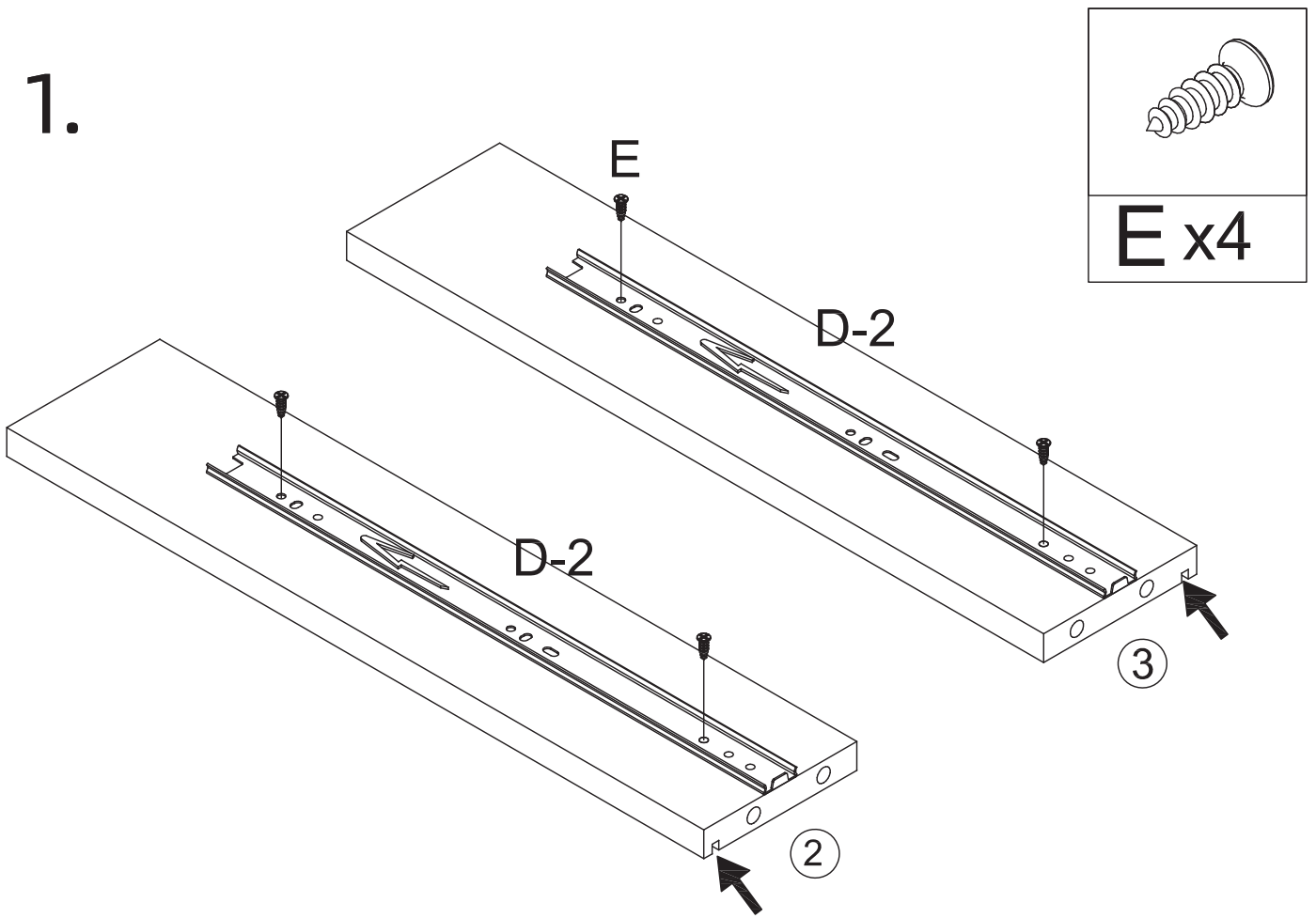


⑥ x1

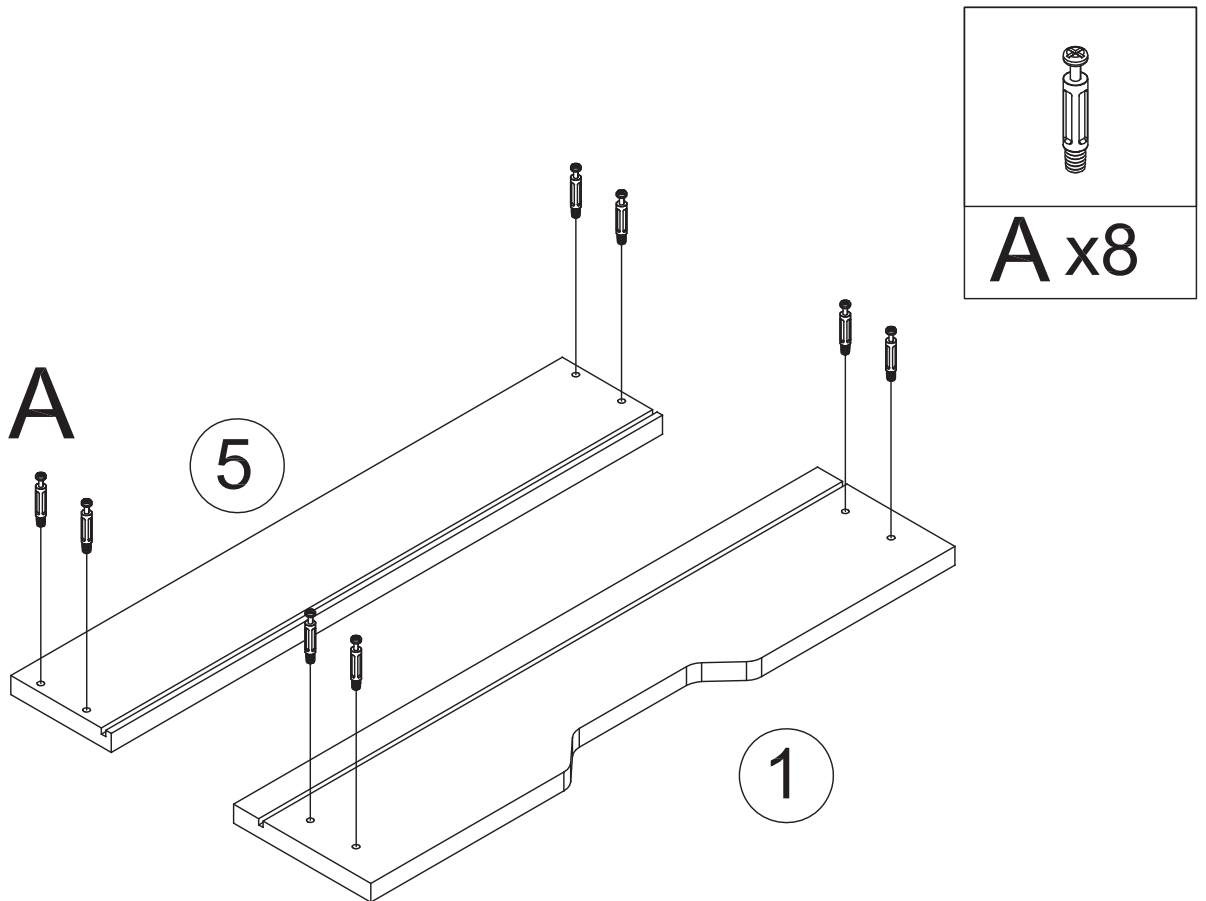




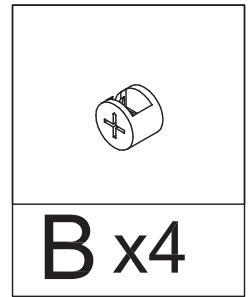
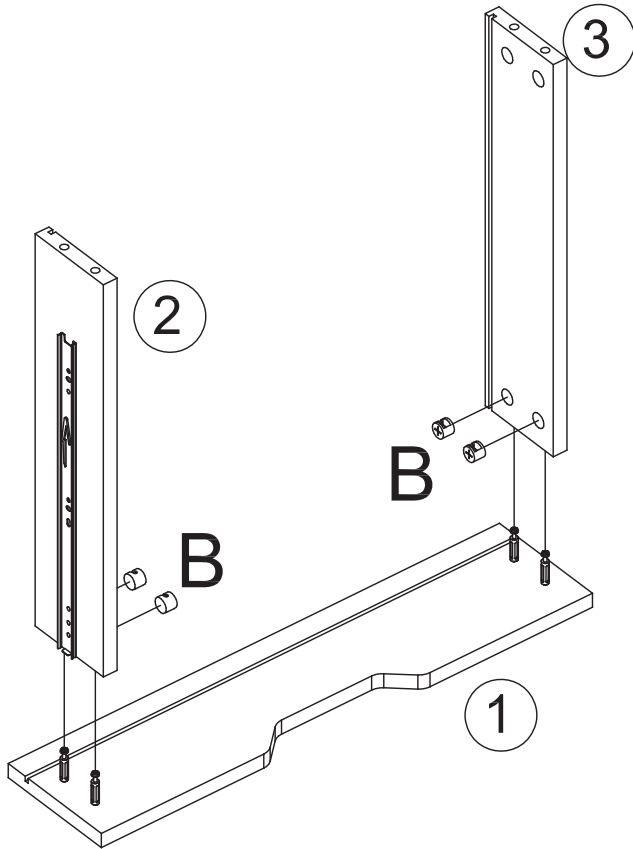
1.



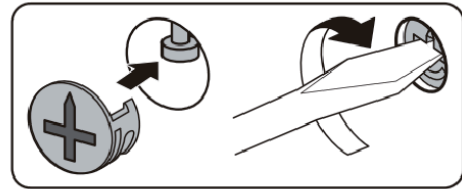
2.



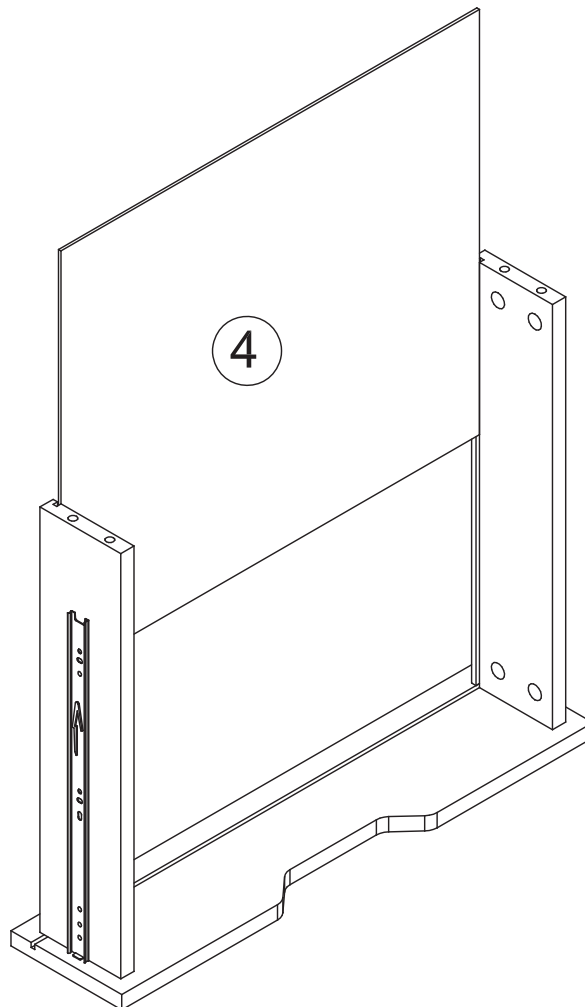
3.



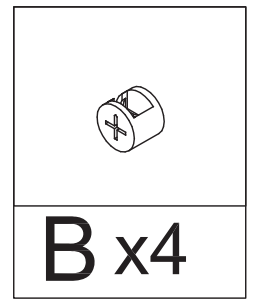
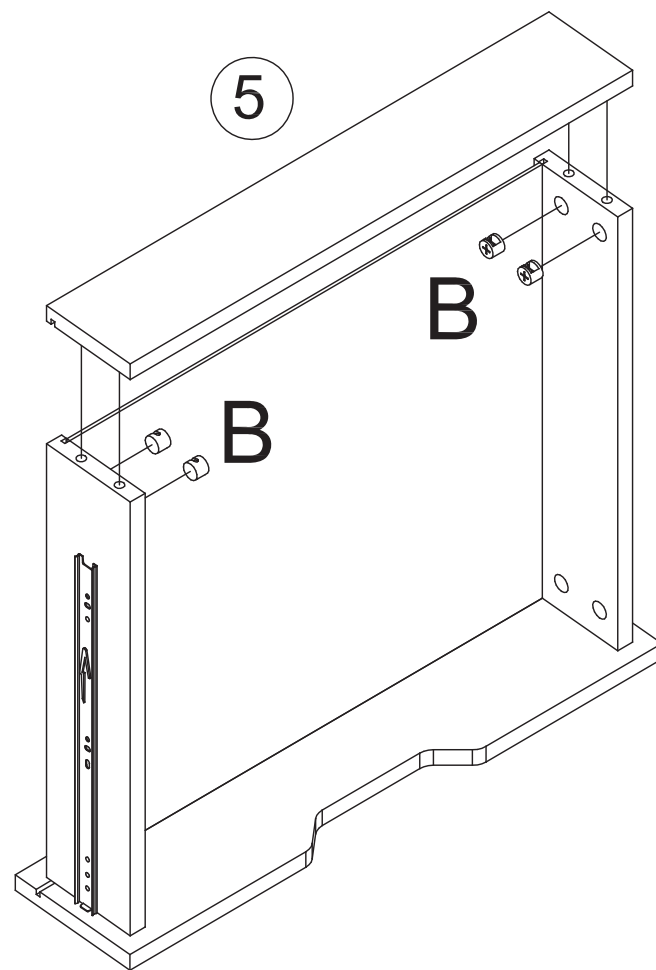
Insert the minifix (B) with the cross arrow mark facing up ward and aim to the panel's top thru holes. then tighten clockwise



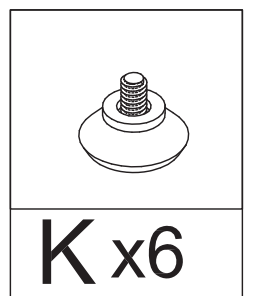
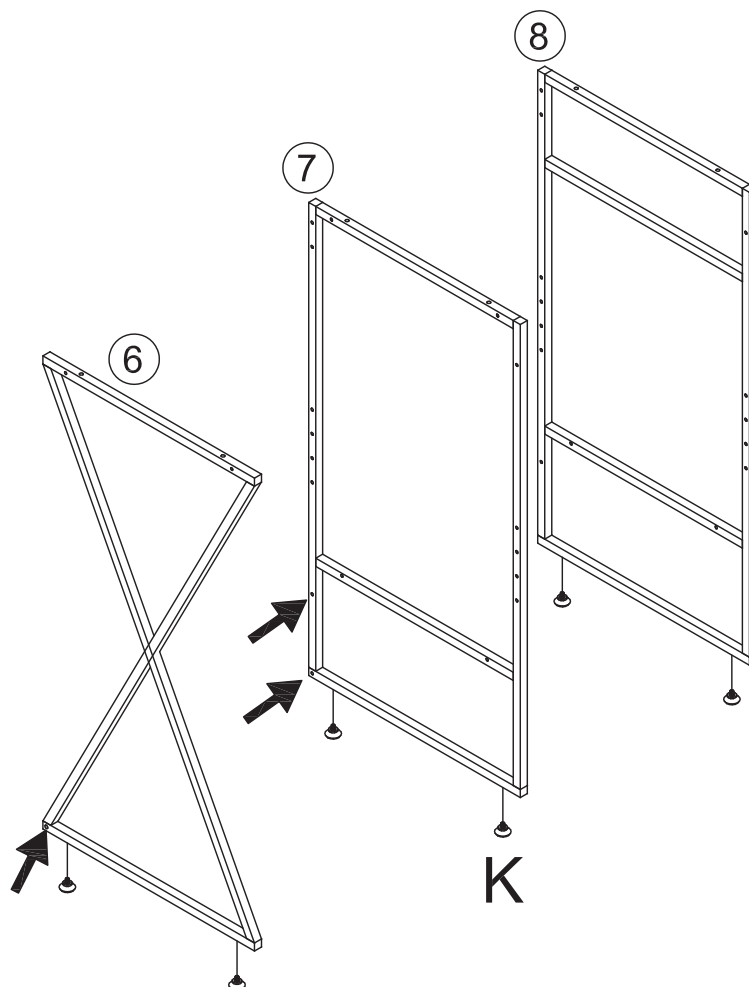
4.



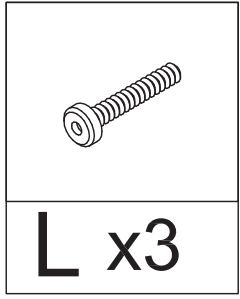
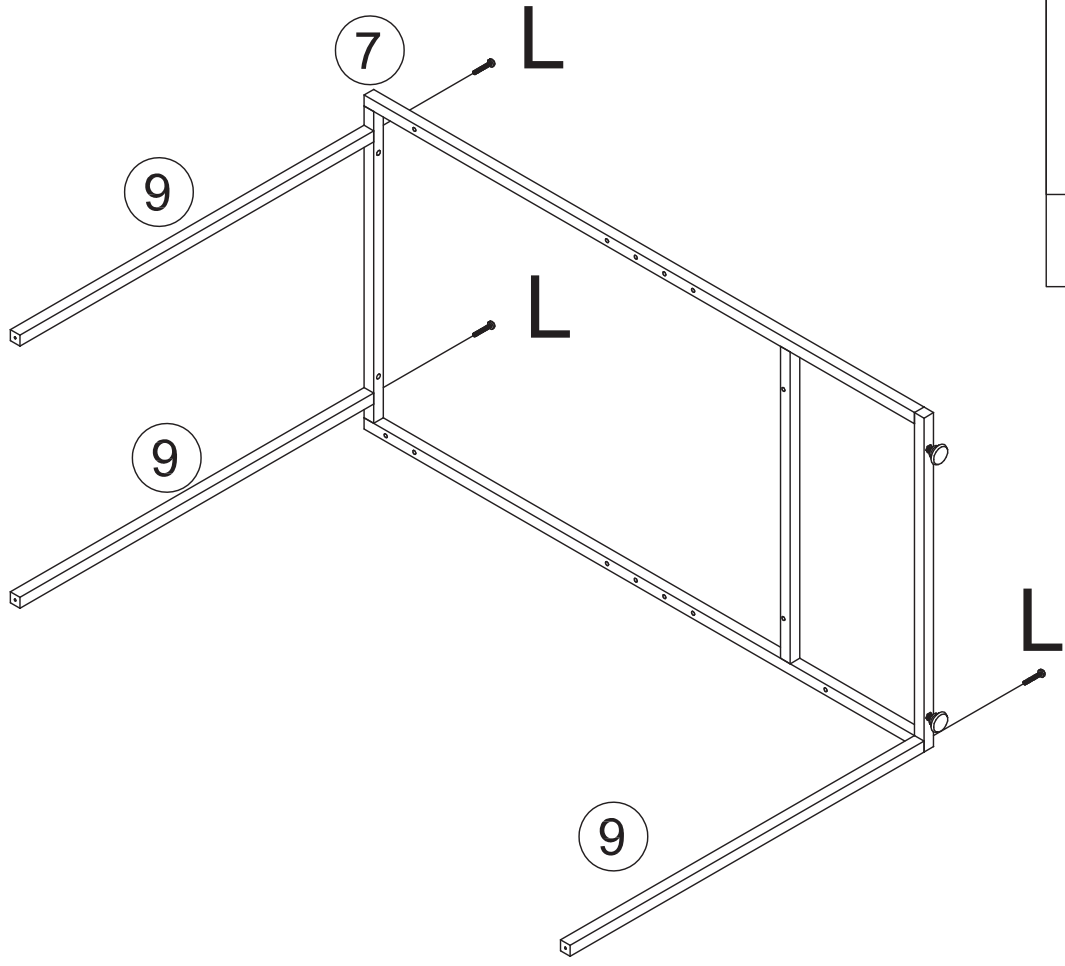
5.



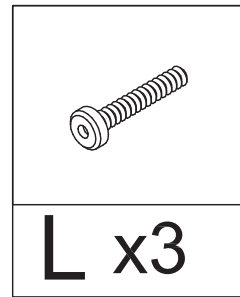
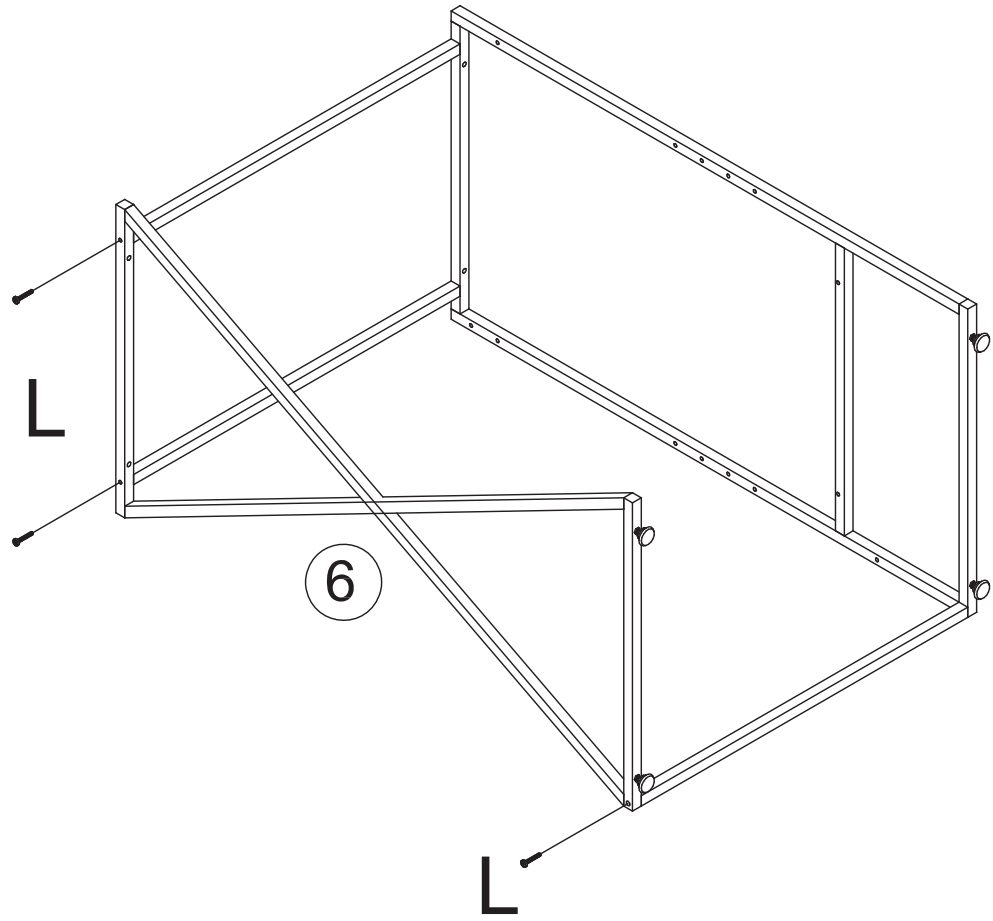
6.



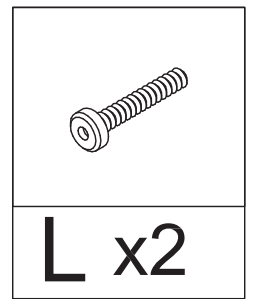
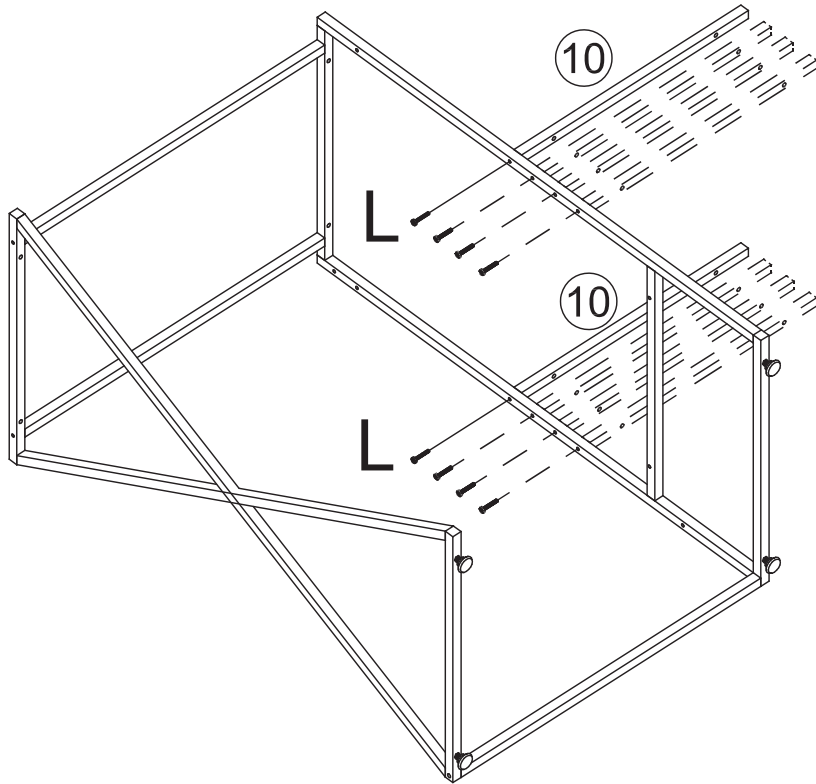
7.



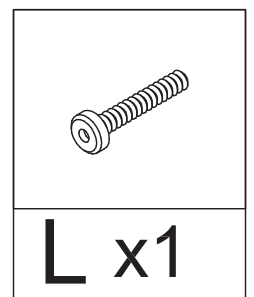
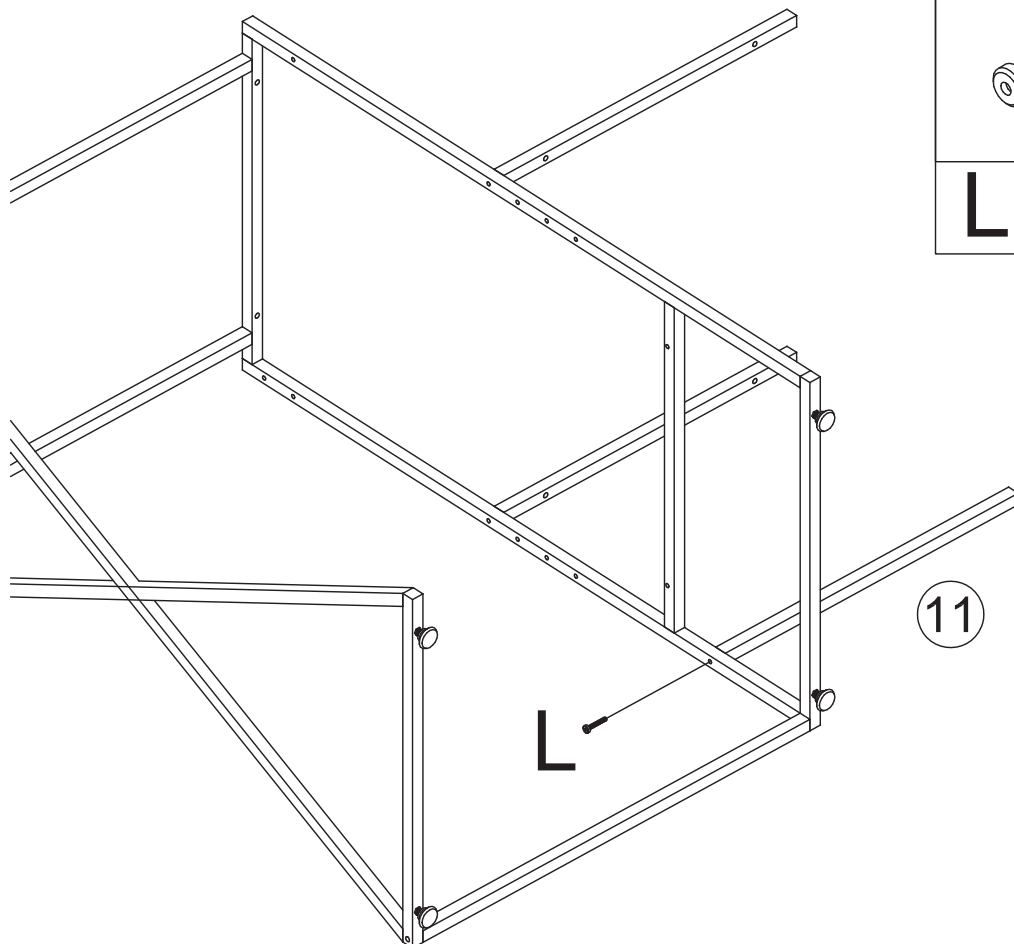
8.



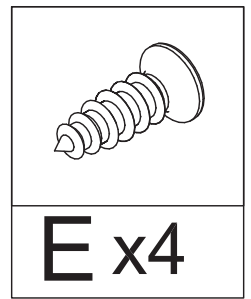
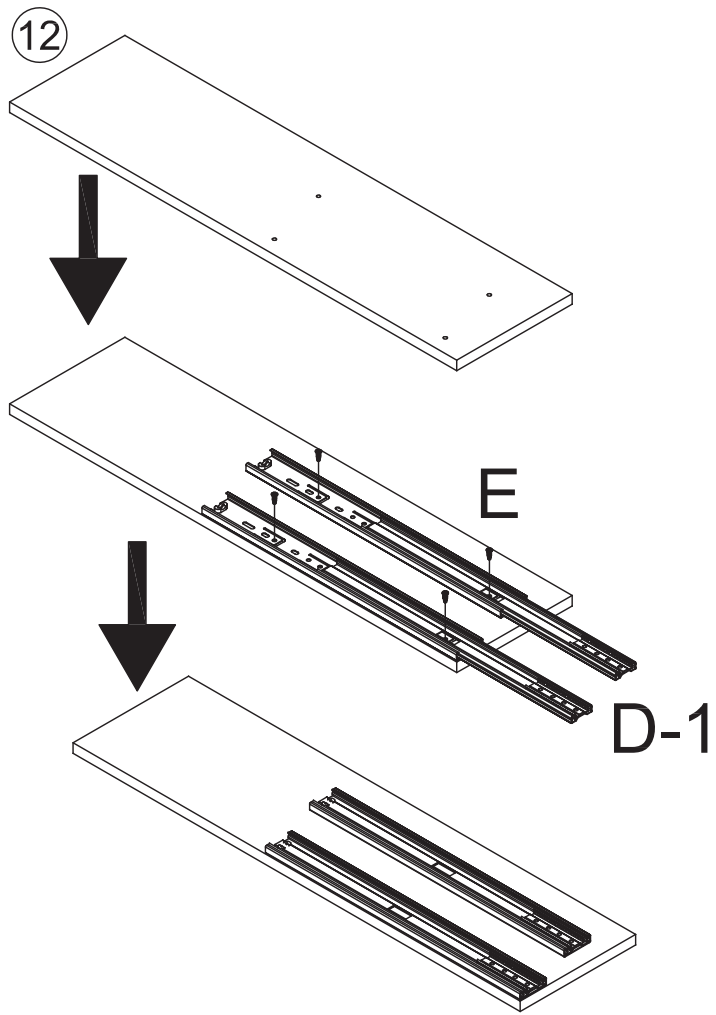
9.



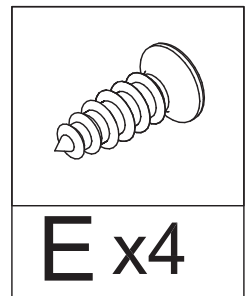
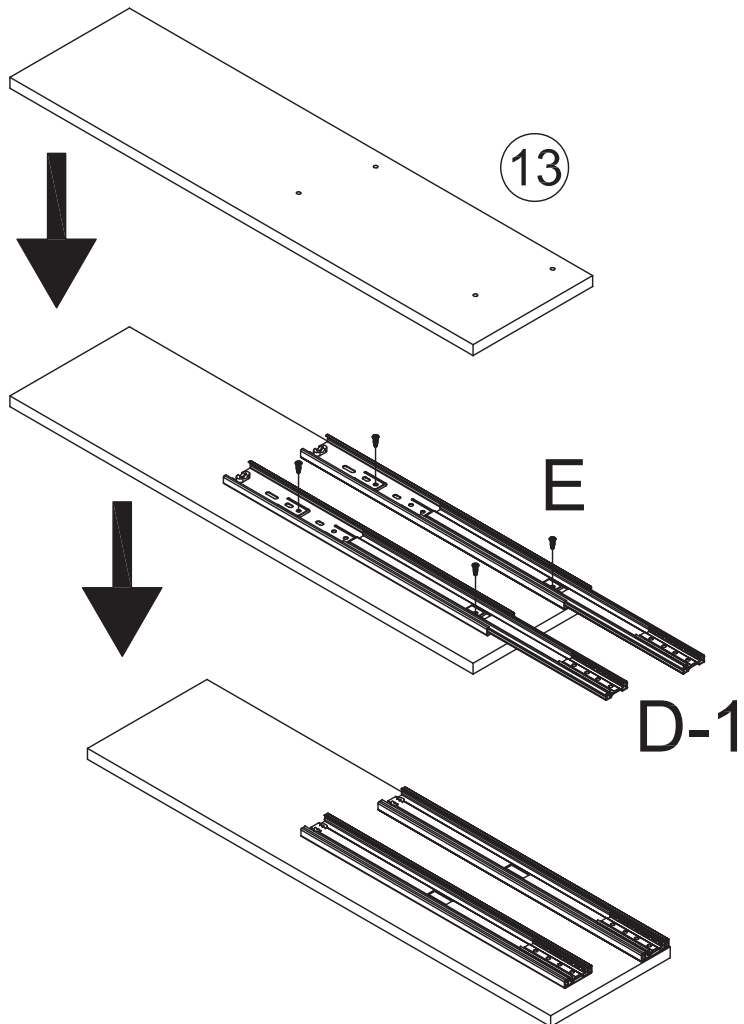
10.



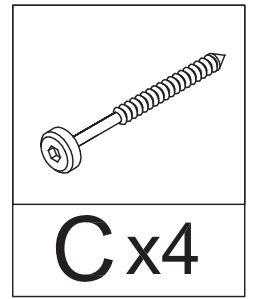
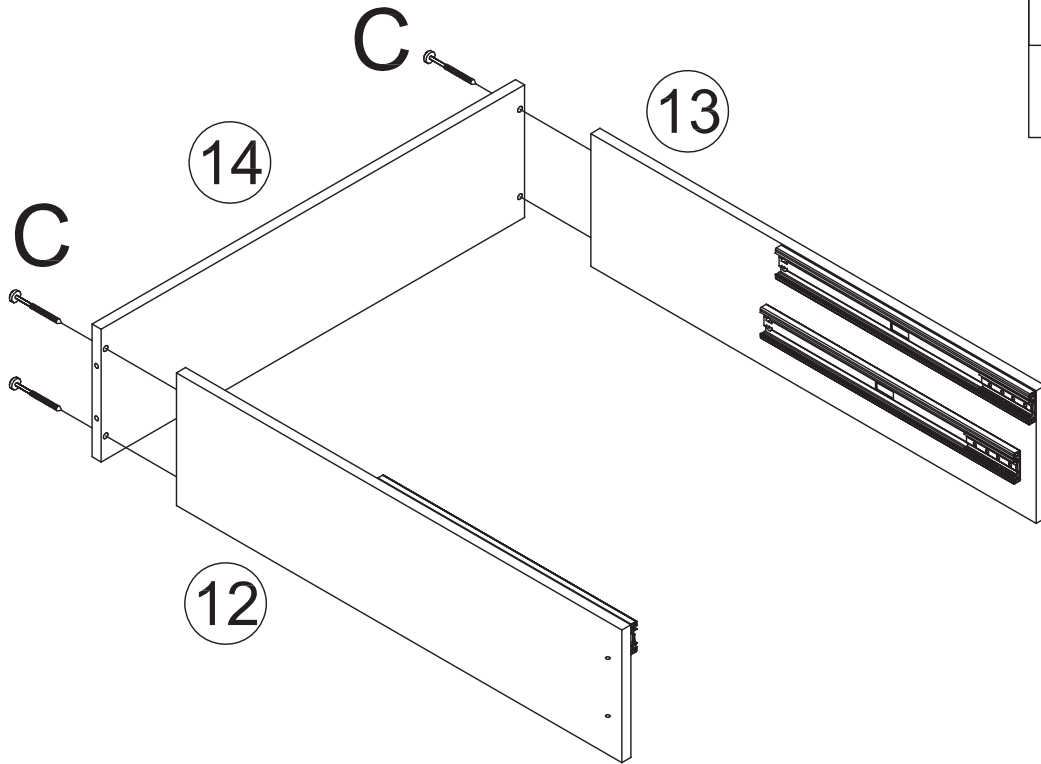
11.



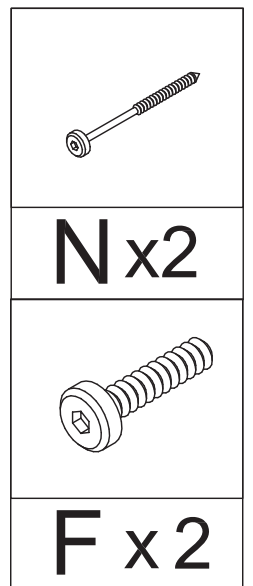
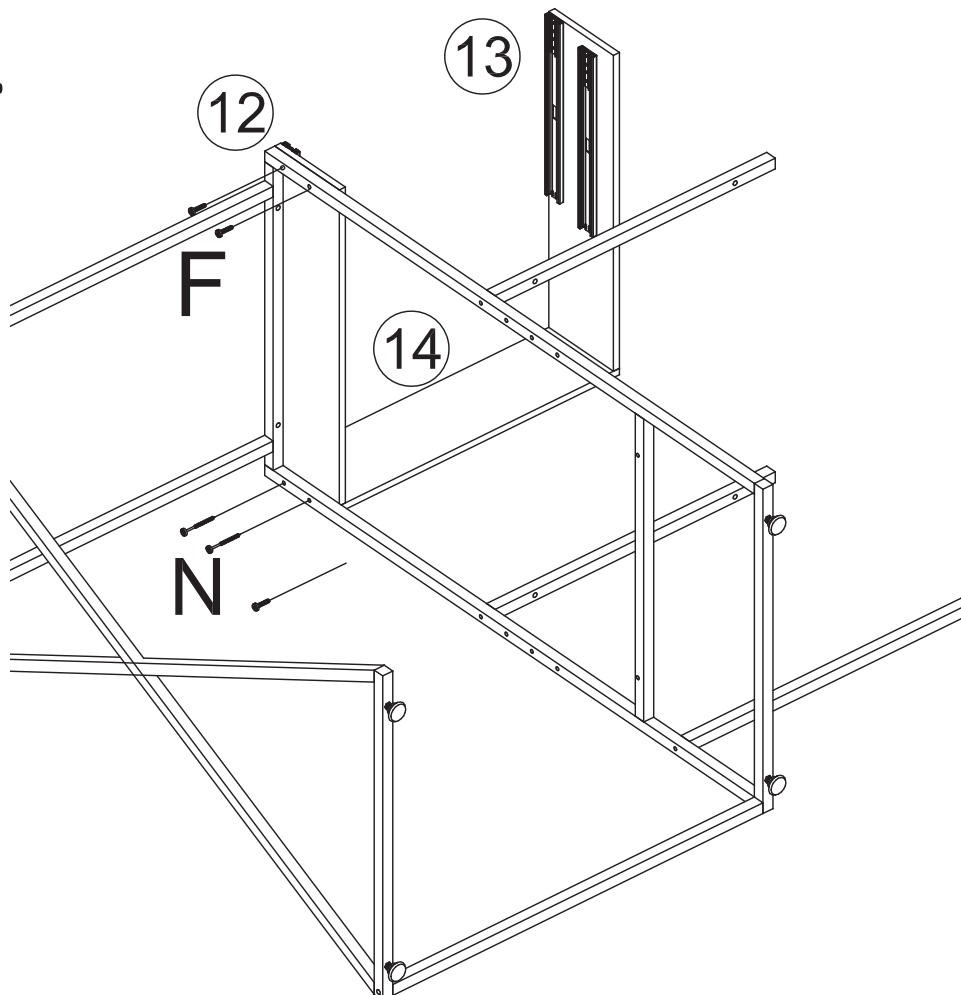
12.



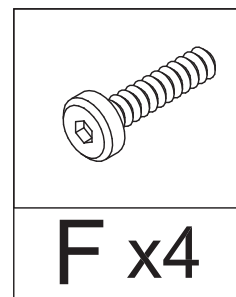
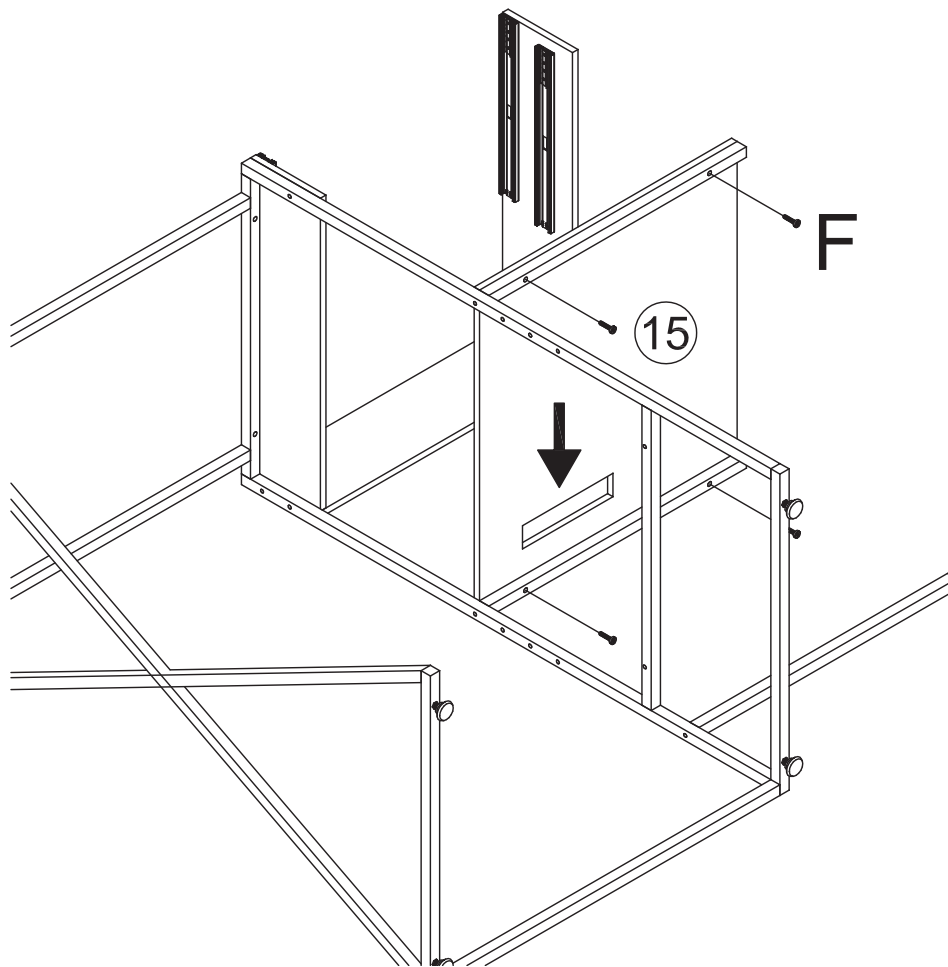
13.



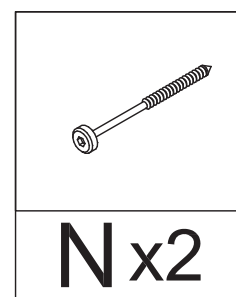
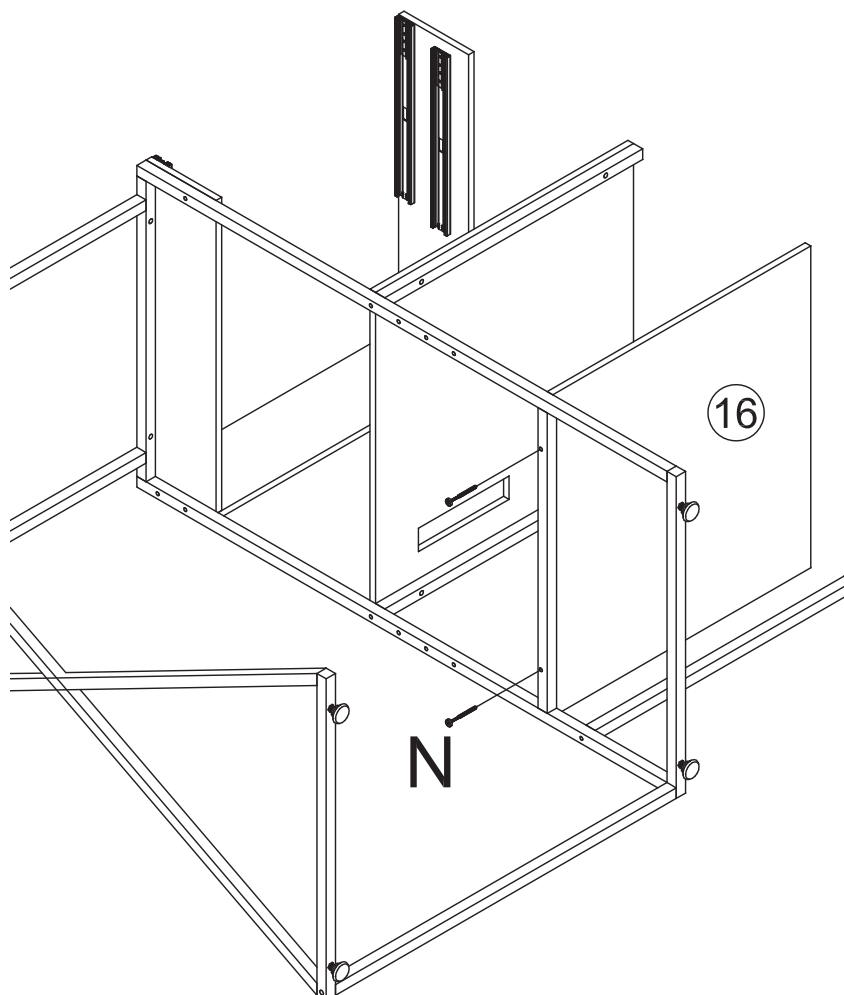
14.



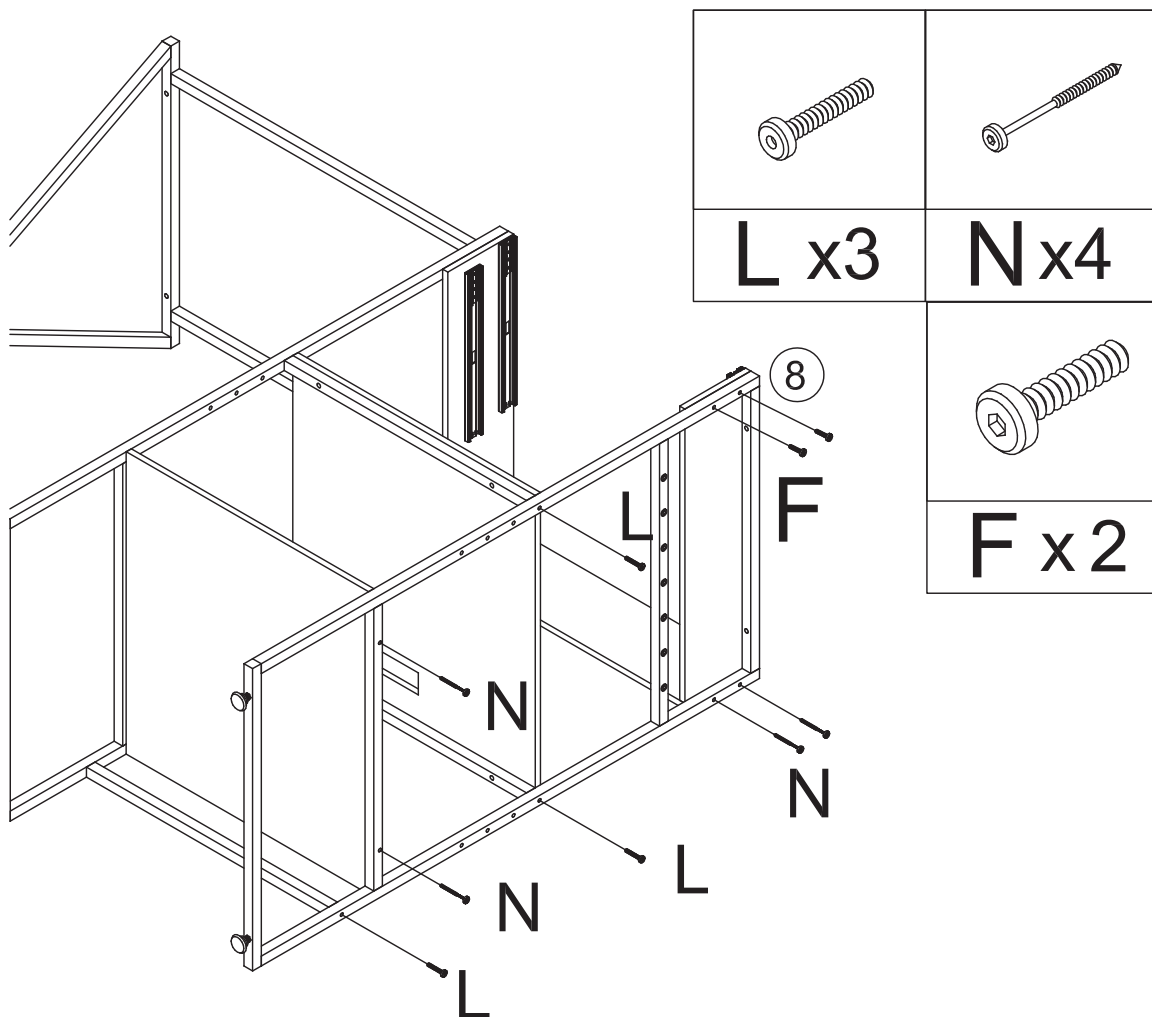
15.



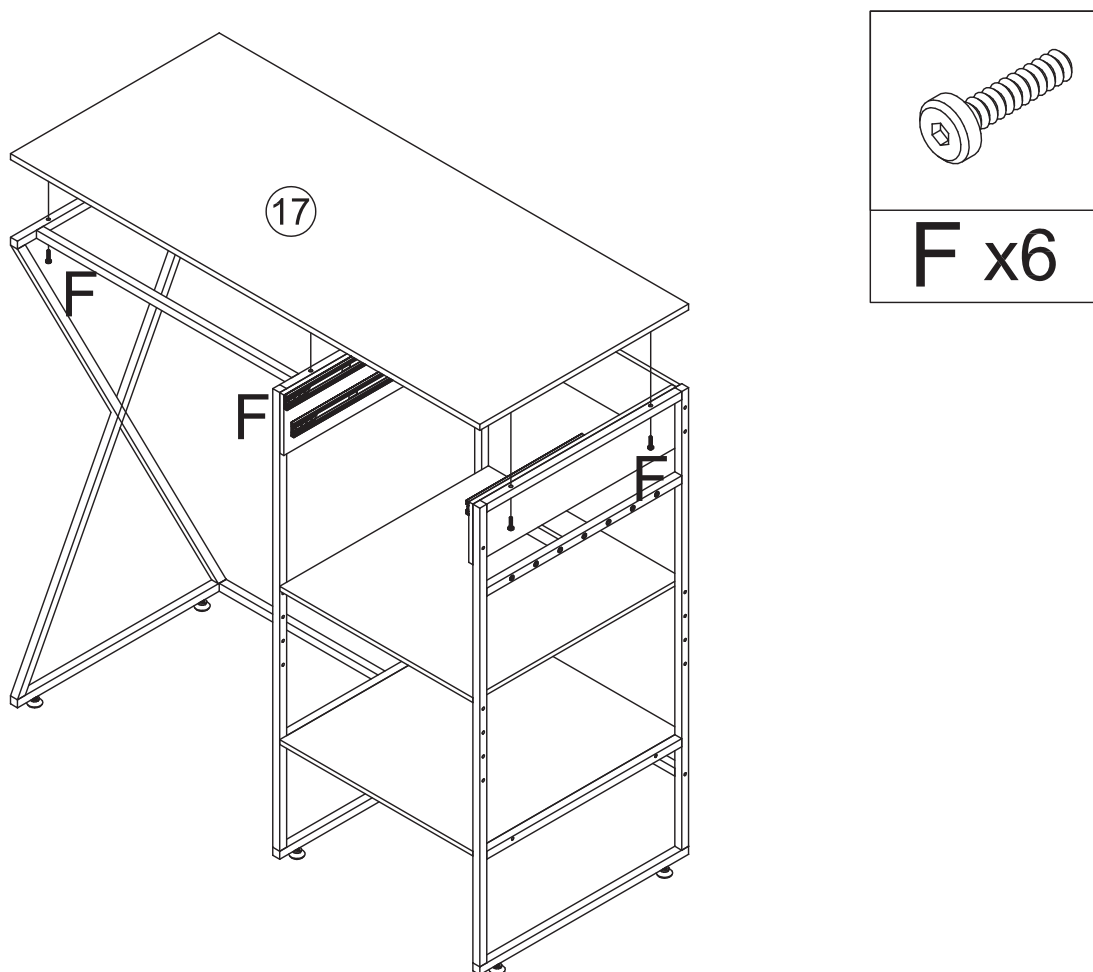
16.



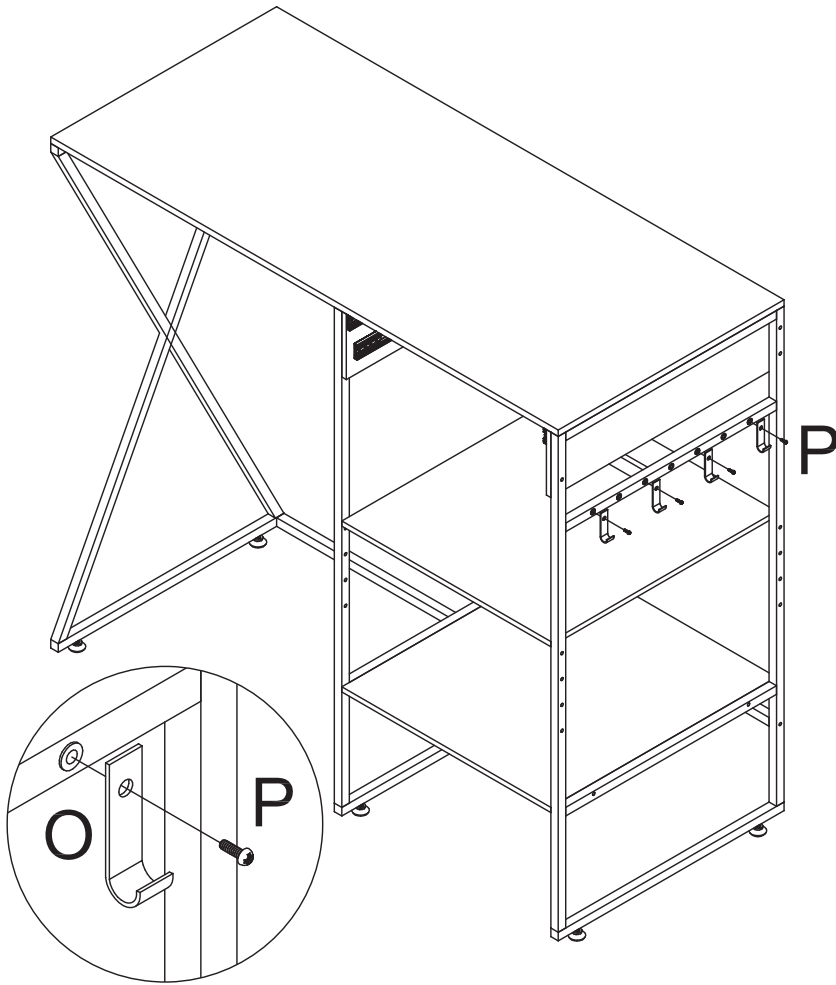
17.



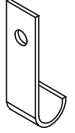
18.



19.

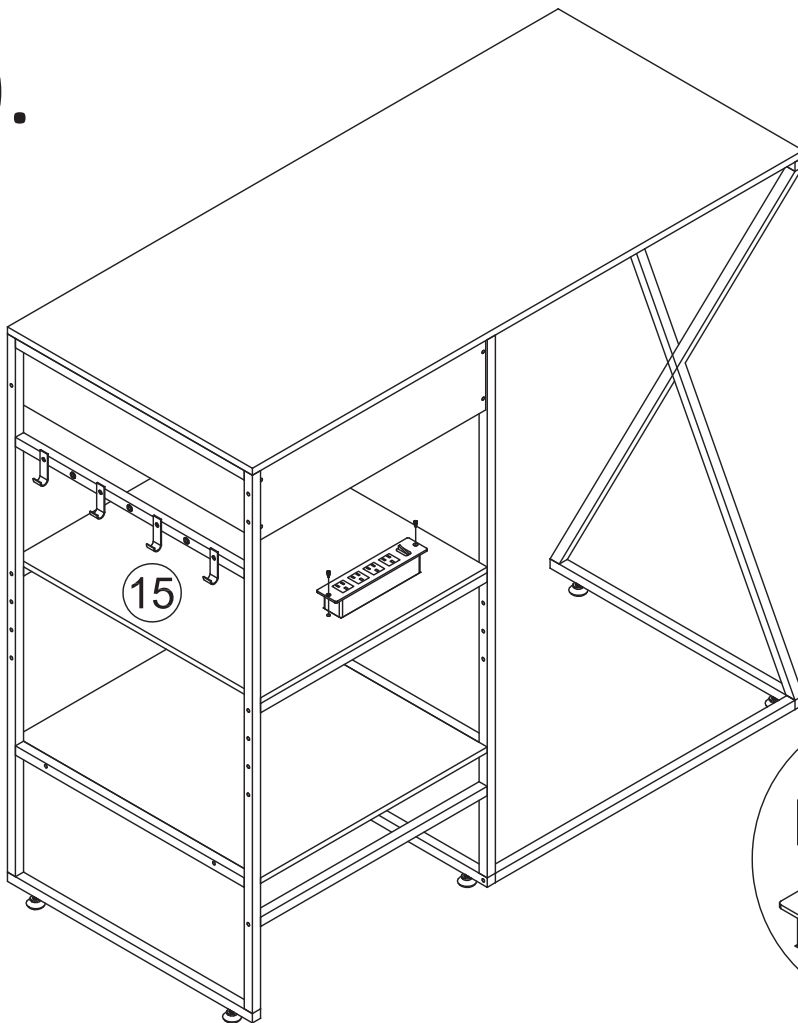


P x4

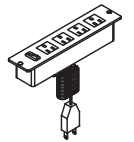


O x4

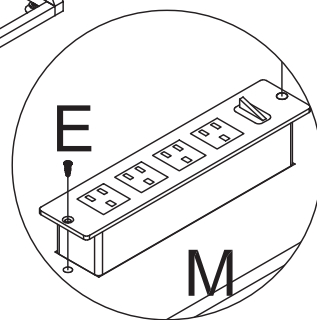
20.



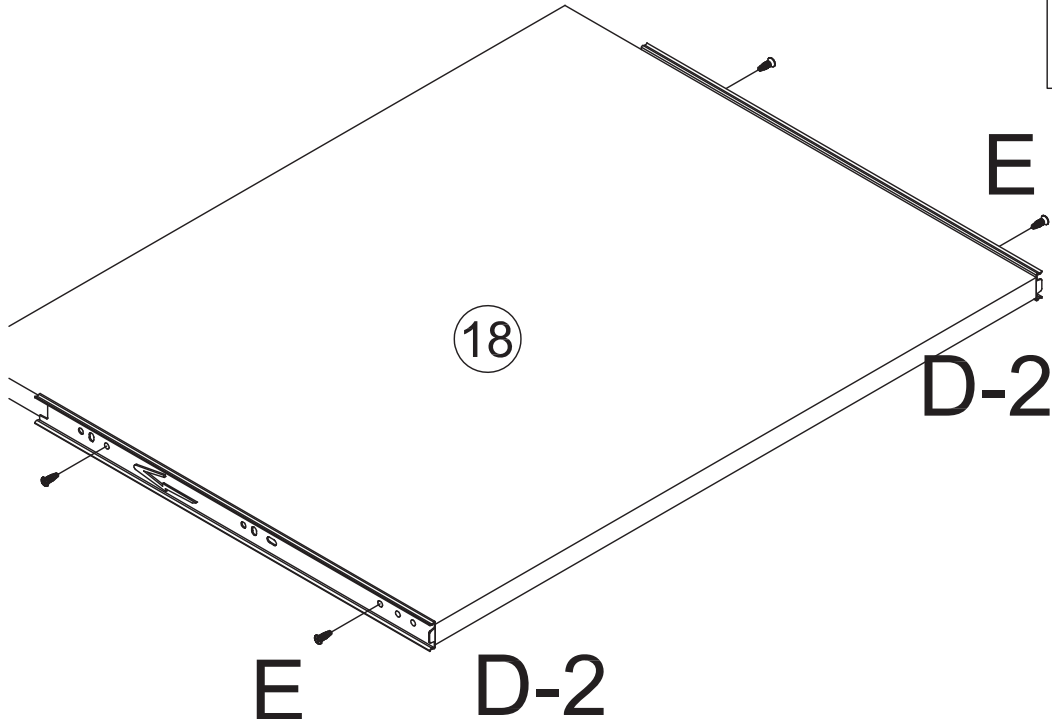
E x2




M x1

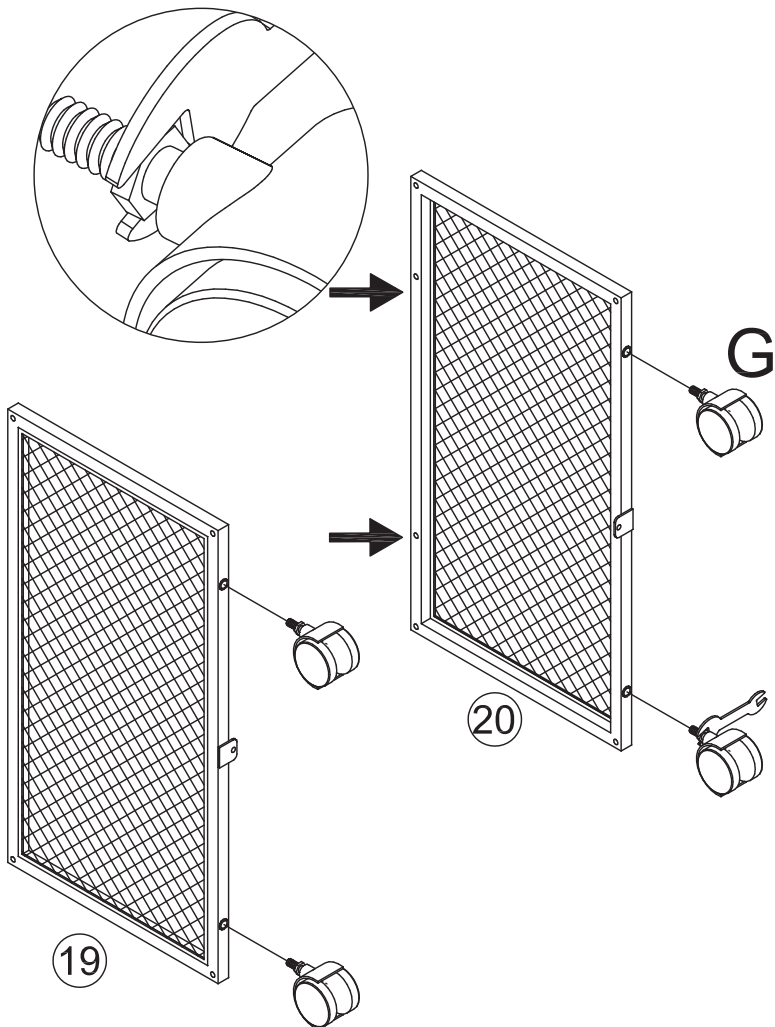


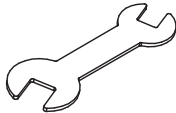
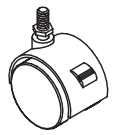
21.



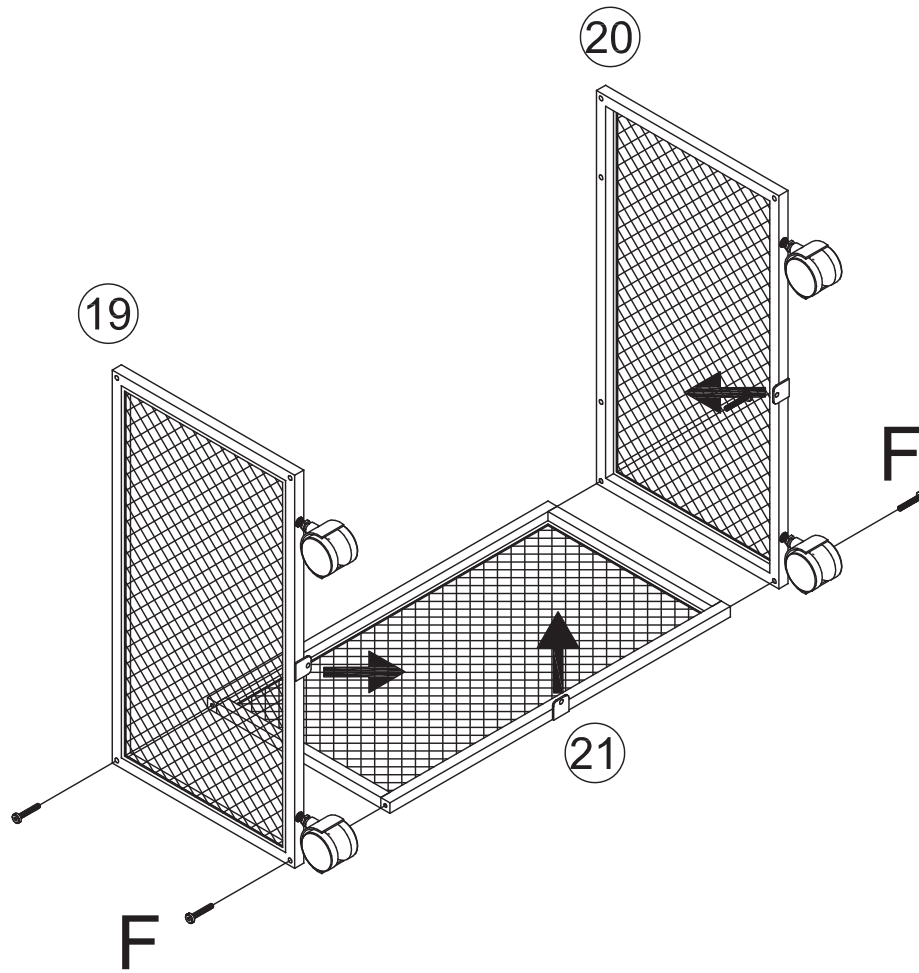

E x4

22.



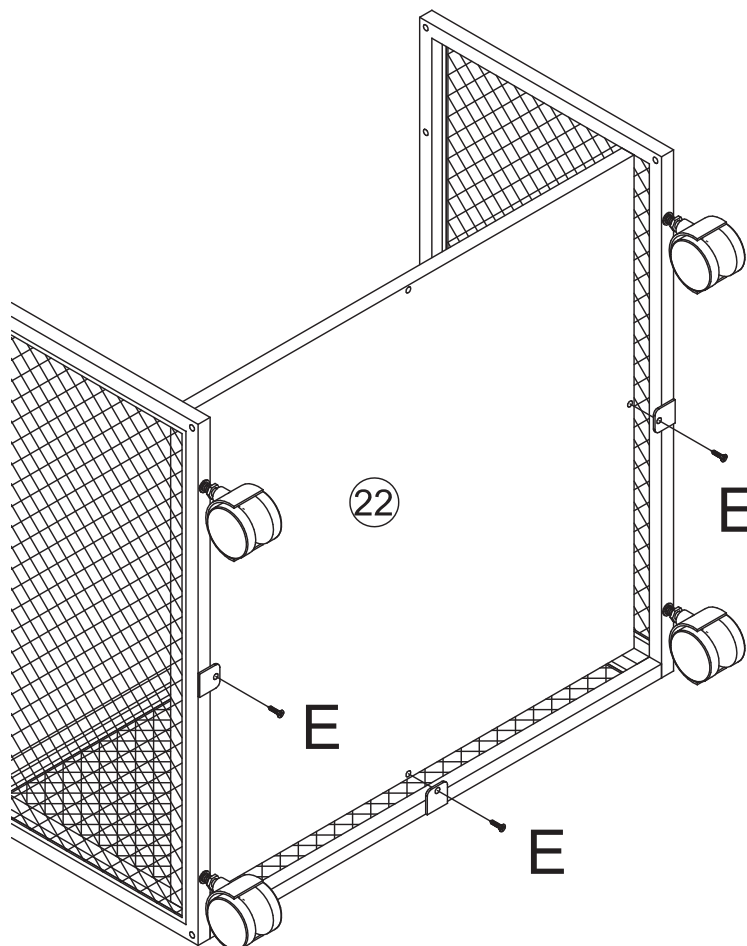

x1

G x4

23.



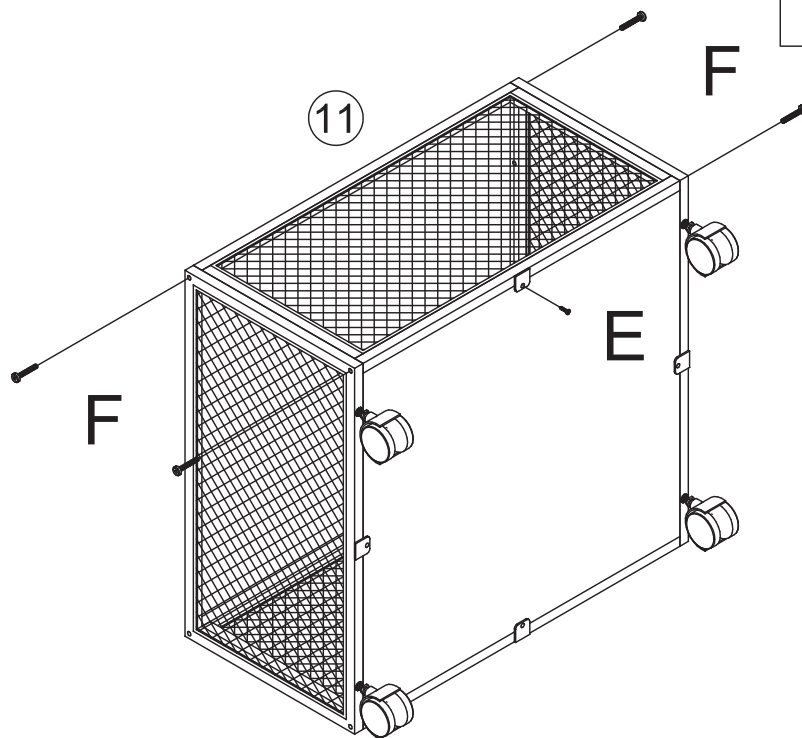
F x4


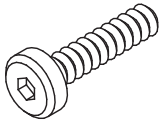
24.



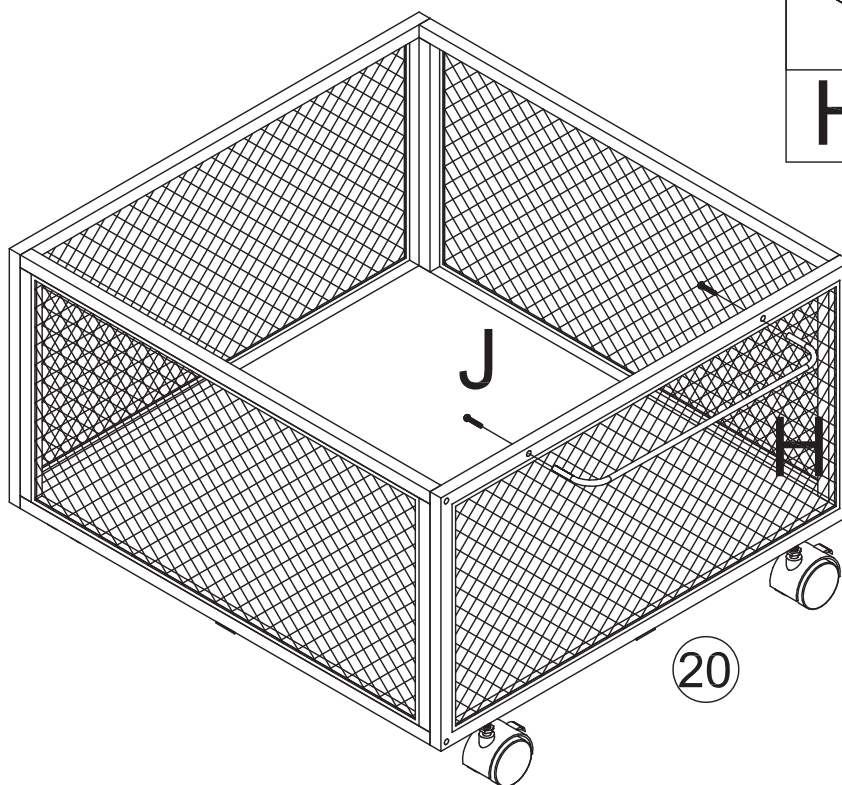
E x3

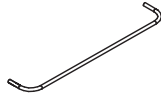

25.



	
E x1	F x4

26.



	
H x1	J x2

27.

