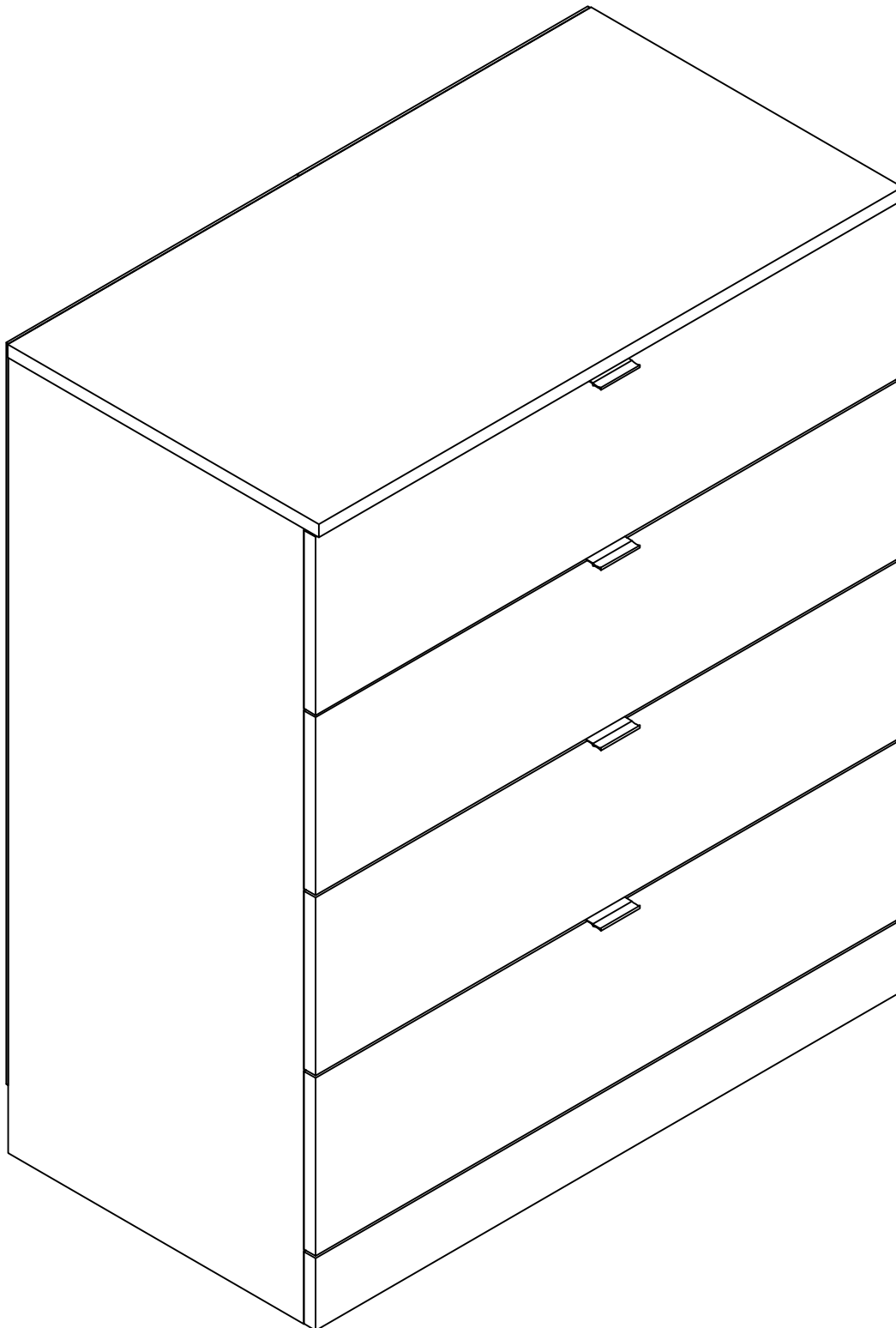


ASSEMBLY INSTRUCTION

4 DRAWER CHEST OF DRAWER 2 PERSON ASSEMBLY

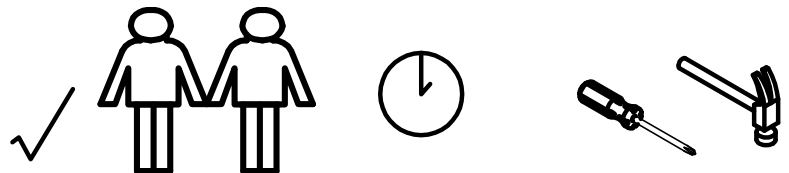
Please check all fittings & panels are
in the box prior to assembly



Safety and Care Advice

IMPORTANT - Please Read This Instruction Carefully Before Assembly.

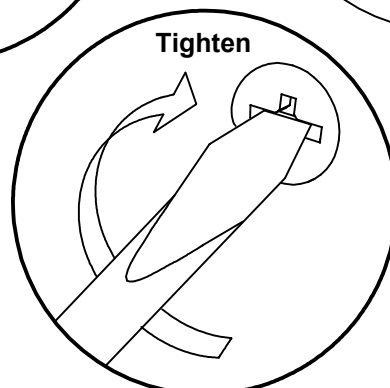
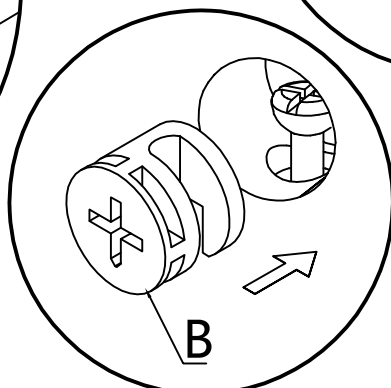
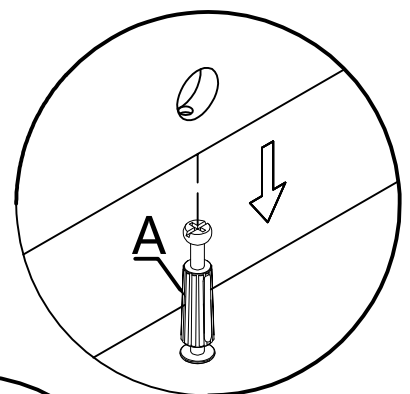
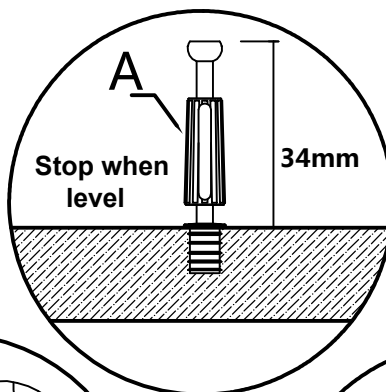
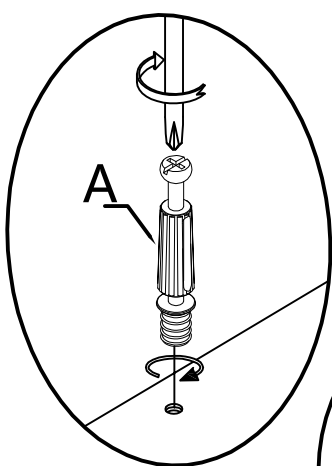
- Check you have all the components and tools listed on page 3.
- Do not stand or put weight on the product, this could cause damage.
- Do not use power drill/drivers for assembly, or the unit may be damaged.
- Remove all settings from the plastic bags and separate them into their groups.
- Assemble the item as close to it's intended position (in the same room) as possible.
- Assemble on a soft level surface to avoid damaging the unit.
- Dispose of all packaging carefully and responsibly.
- Keep children and animals away from the work area, small parts could choke if swallowed.
- Parts of the assembly will be easier with 2 people.

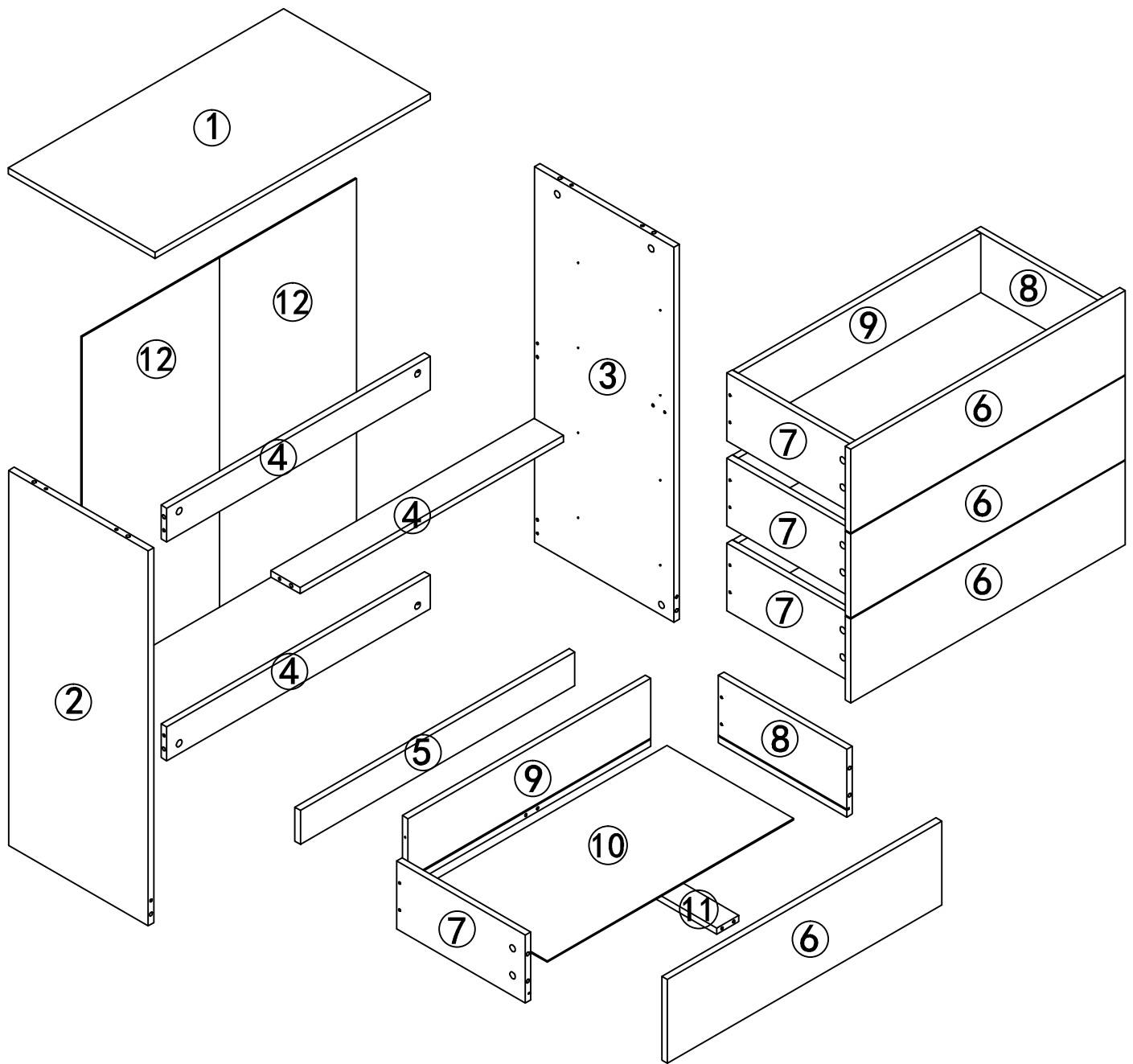


CARE and MAINTENANCE

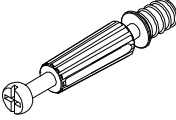
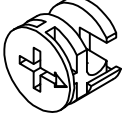
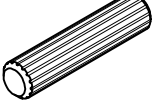
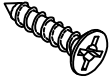
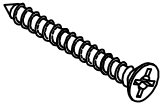
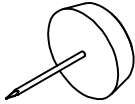
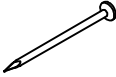
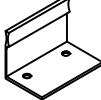

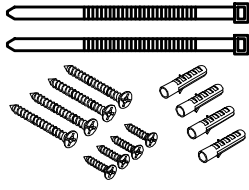
- Only clean using a damp cloth and mild detergent, do not use bleach or abrasive cleaners.
- From time to time check that there are no loose screws on this unit.
- This product should not be discarded with household waste. Take to your local authority waste disposal center.

General Hints & Tips





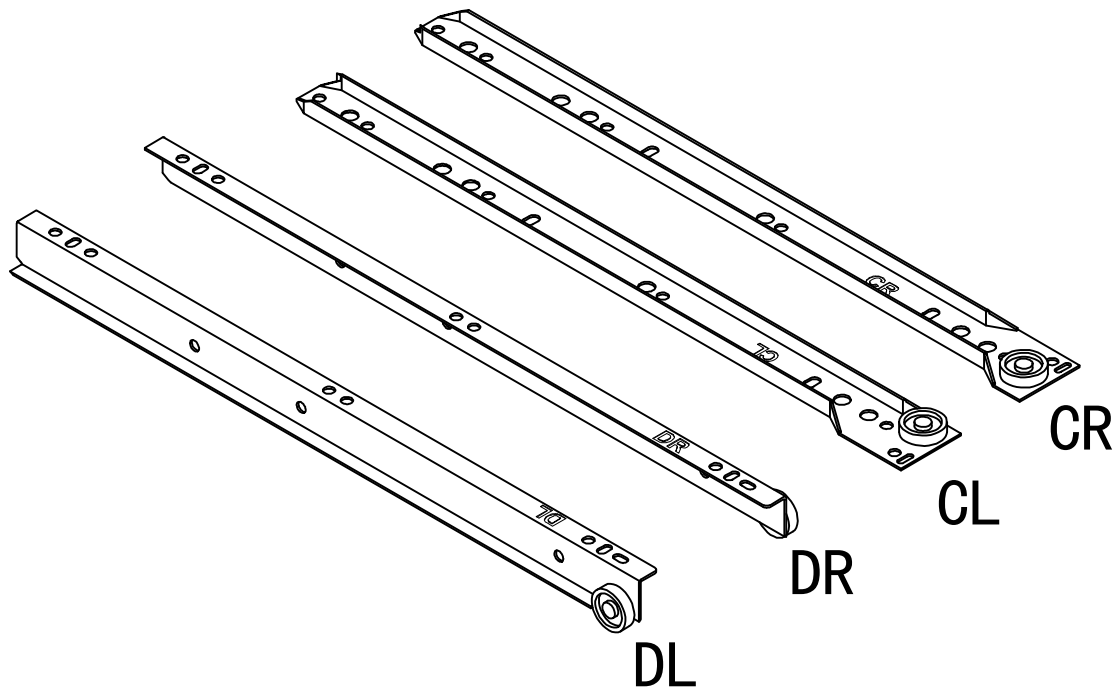
HARDWARE LIST

<p>A=28</p>  <p>Peg M6*34mm</p>	<p>B=28</p>  <p>Lock M15*12mm</p>	<p>C=28</p>  <p>Dowel M6*30mm</p>	<p>D=40</p>  <p>Screw M3.5*14mm</p>	<p>E=16</p>  <p>Screw M4*38mm</p>	<p>F=4</p>  <p>Plastic Feet</p>
<p>G=12</p>  <p>Pin</p>	<p>H=4</p> 	<p>CR CL DR DL=4</p>  <p>Drawer Runner</p>	<p>P=1</p>  <p>Wall bracket</p>		

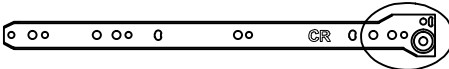
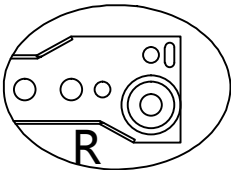
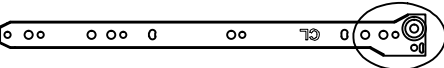
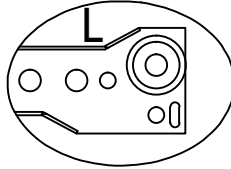
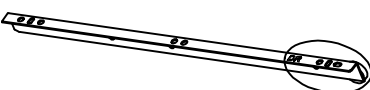
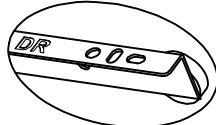
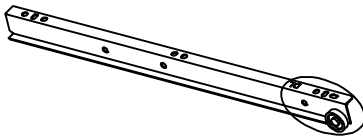
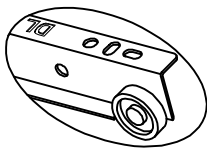
Drawer Runner Instruction

IMPORTANT - Please Read It Carefully.

NOTE:1 PAIR DRAWER RUNNER INCLUDES 4 PIECES.



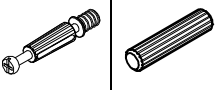
Fittings (not to scale)

NO.	DESCRIPTION	QTY		
CR	Outer Drawer Runner - Right	4PCS		
CL	Outer Drawer Runner - Left	4PCS		
DR	Inner Drawer Runner - Right	4PCS		
DL	Inner Drawer Runner - Left	4PCS		

Assembly Instruction

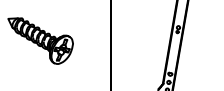
Step 1

A=3 C=3

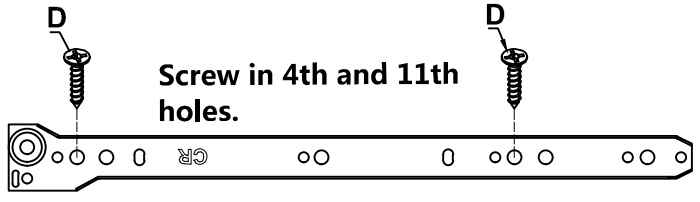
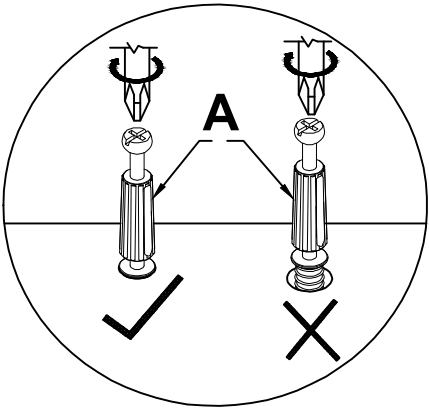
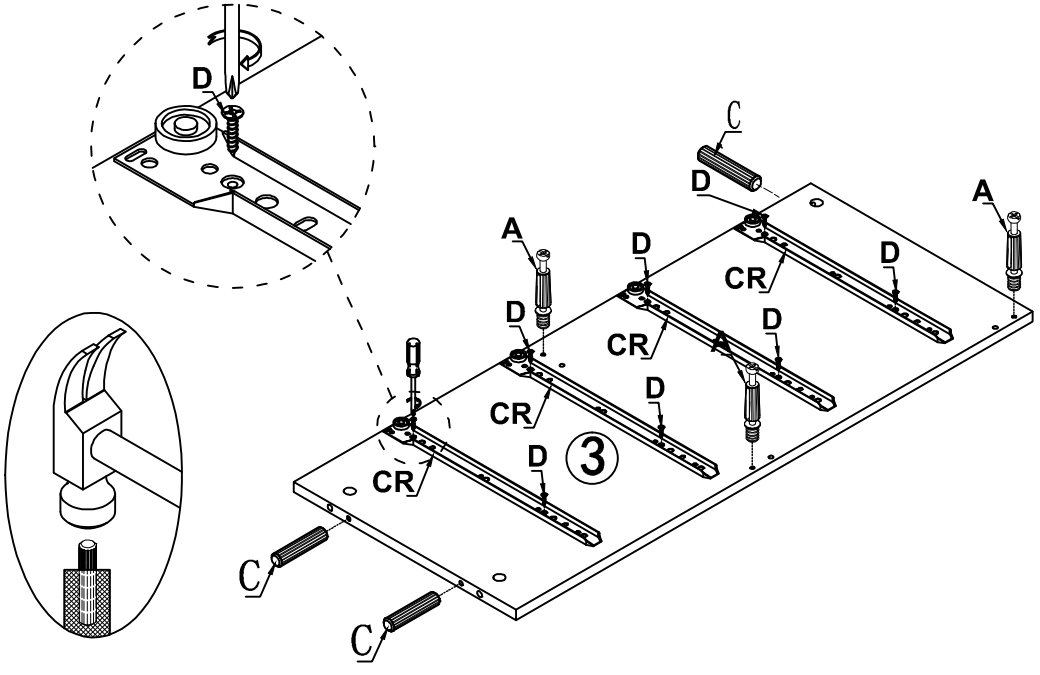


Peg Dowel

D=8 CR=4

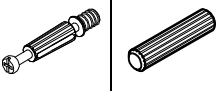


Screw Drawer Runner



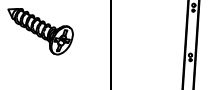
Step 2

A=3 C=3

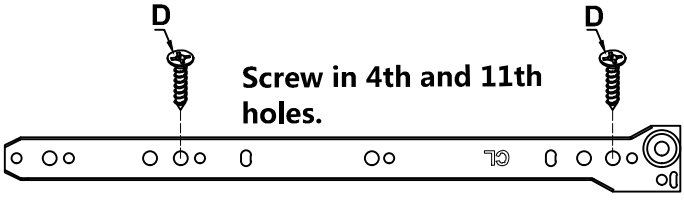
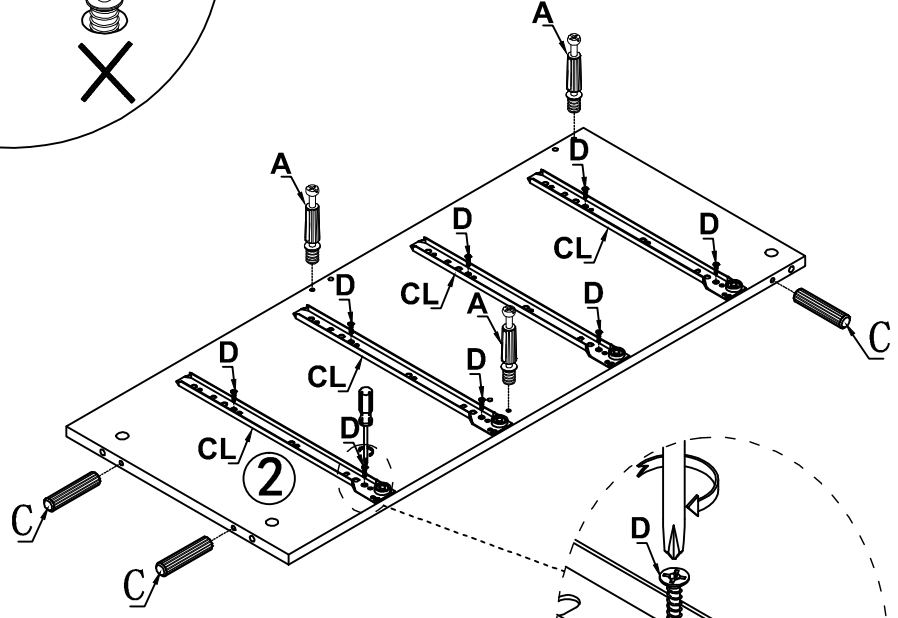
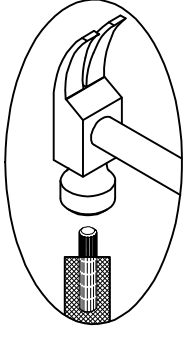


Peg Dowel

D=8 CL=4



Screw Drawer Runner

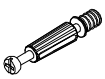


Assembly Instruction

Step 3

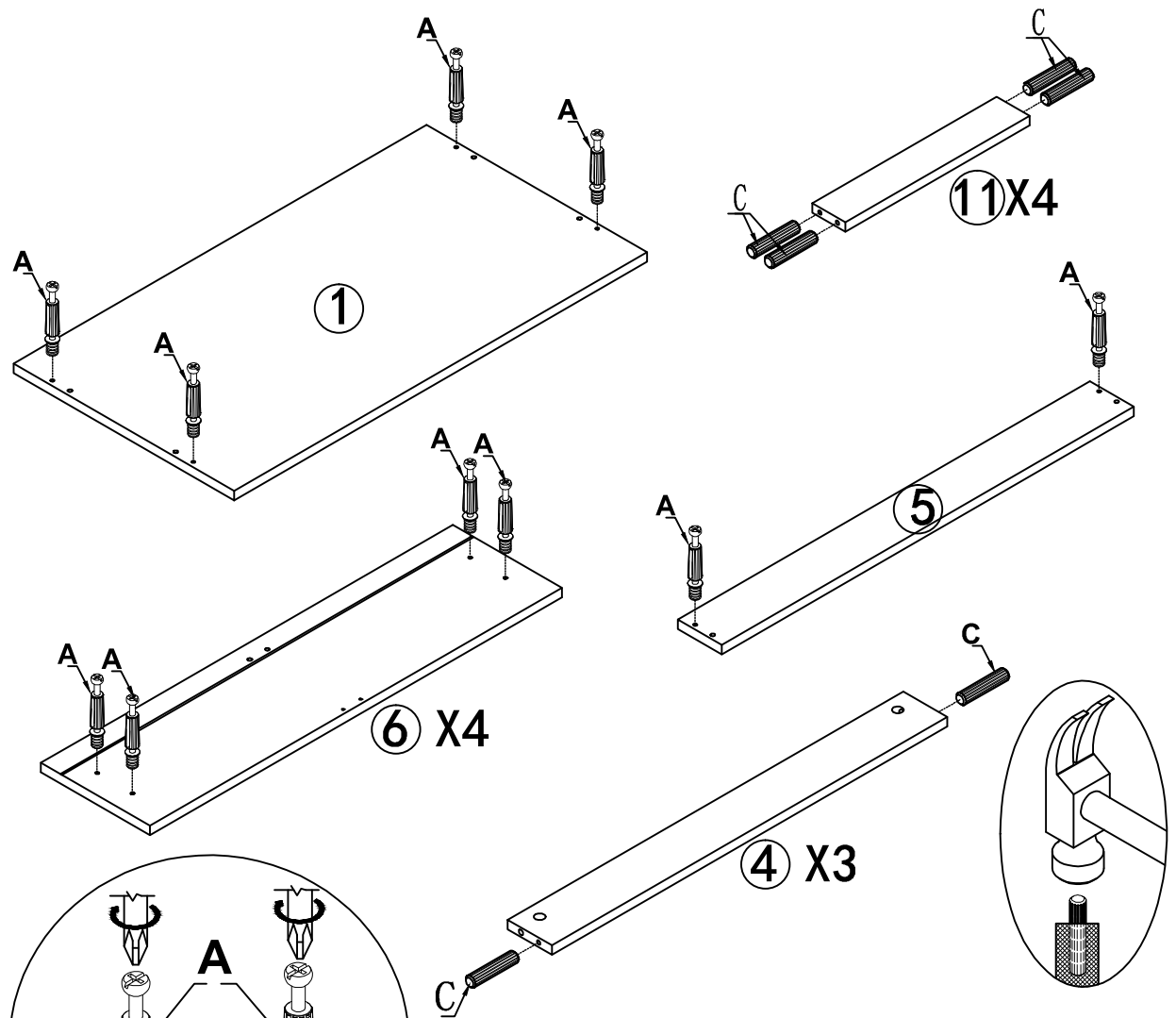
A=22

C=22



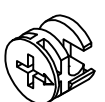
Peg

Dowel

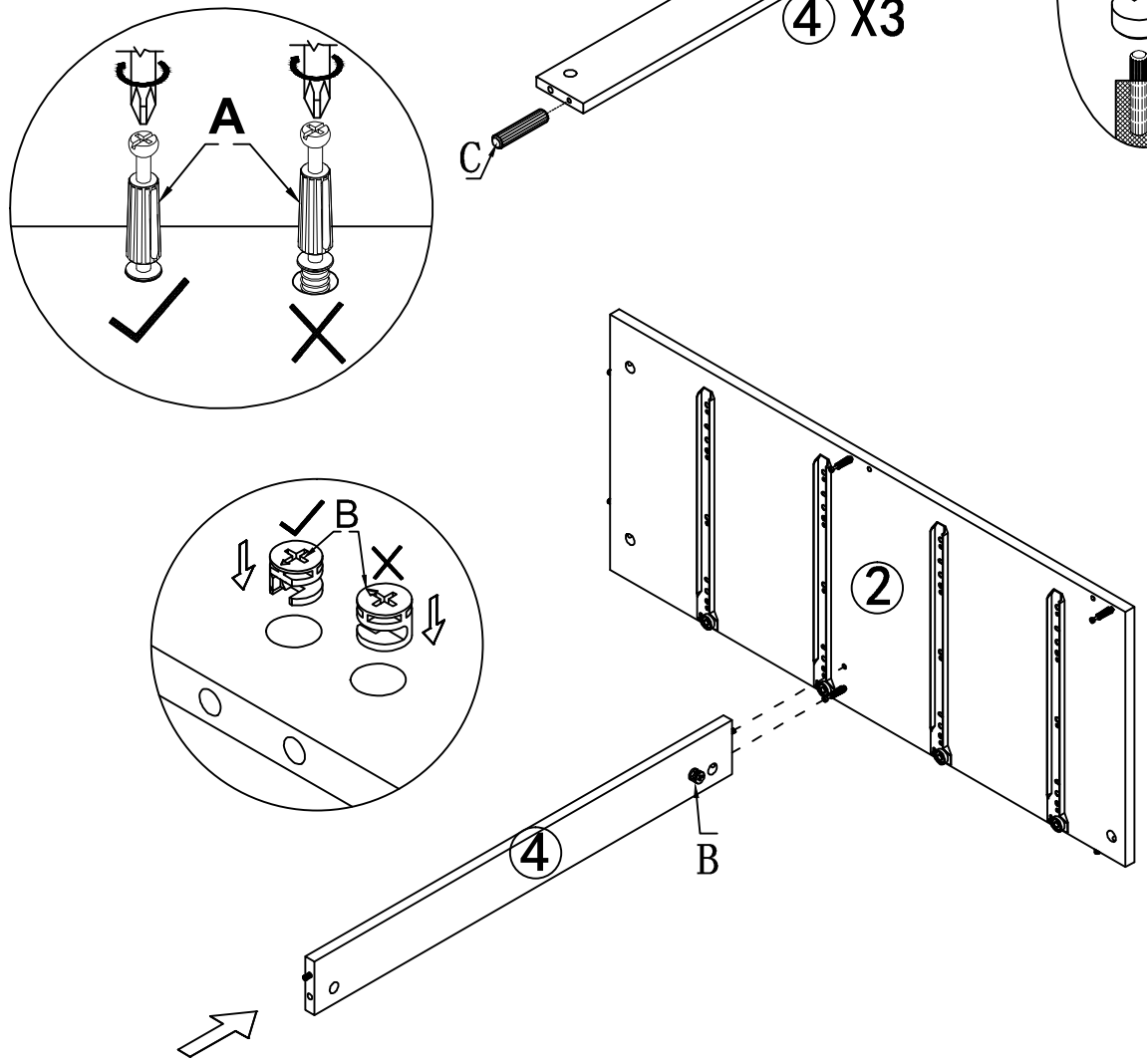


Step 4

B=1



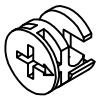
Lock



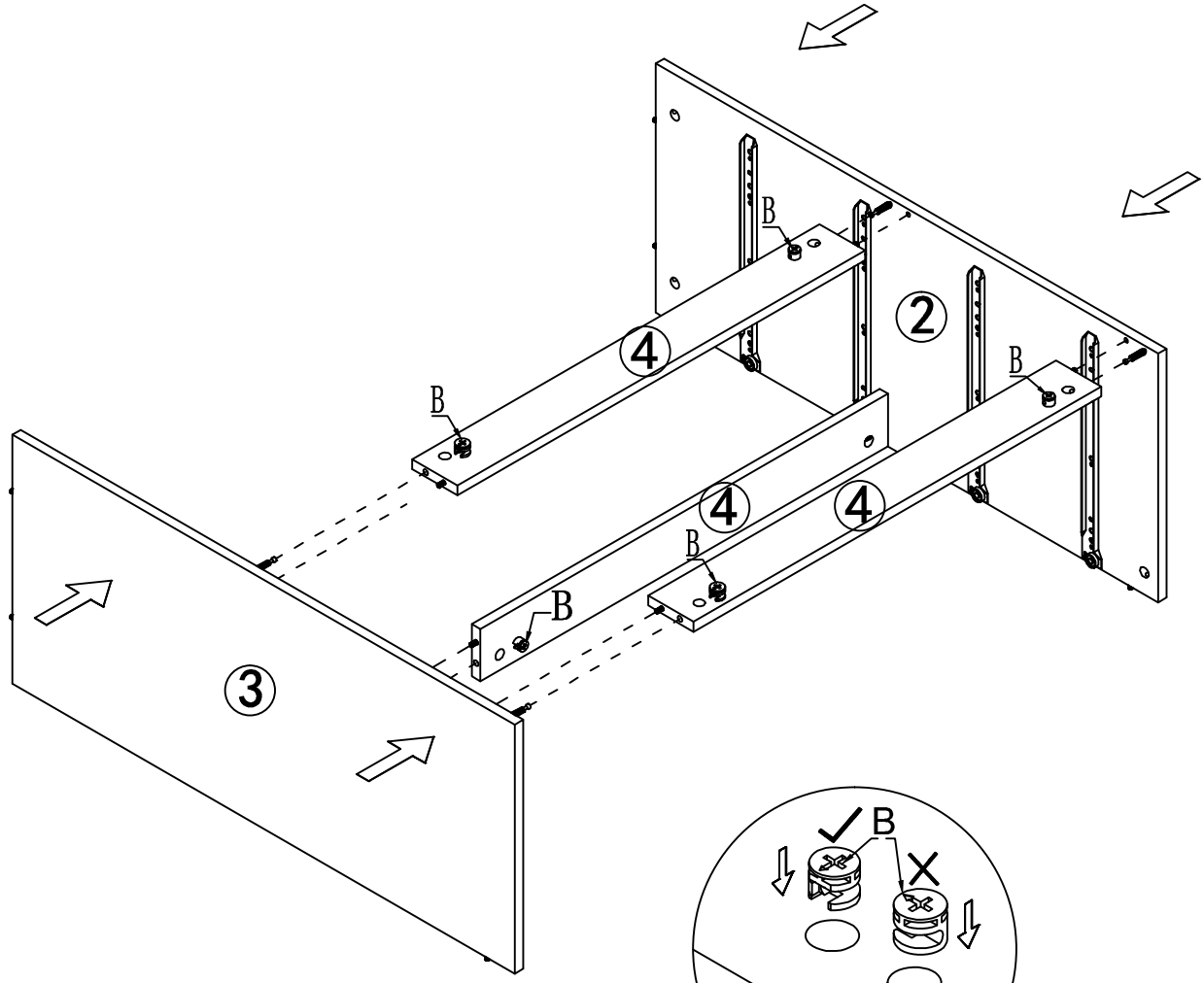
Assembly Instruction

Step 5

B=5

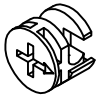


Lock

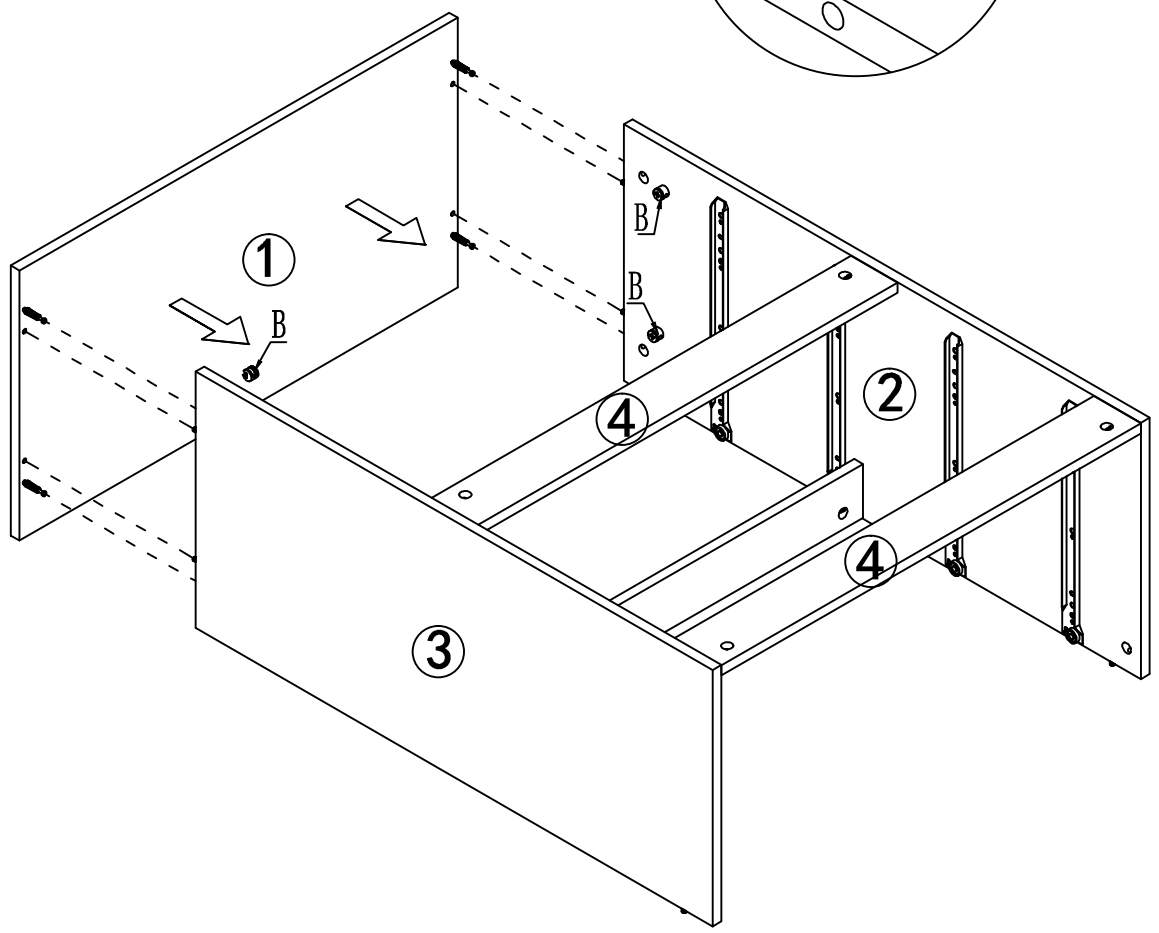


Step 6

B=4



Lock



Assembly Instruction

Step 7

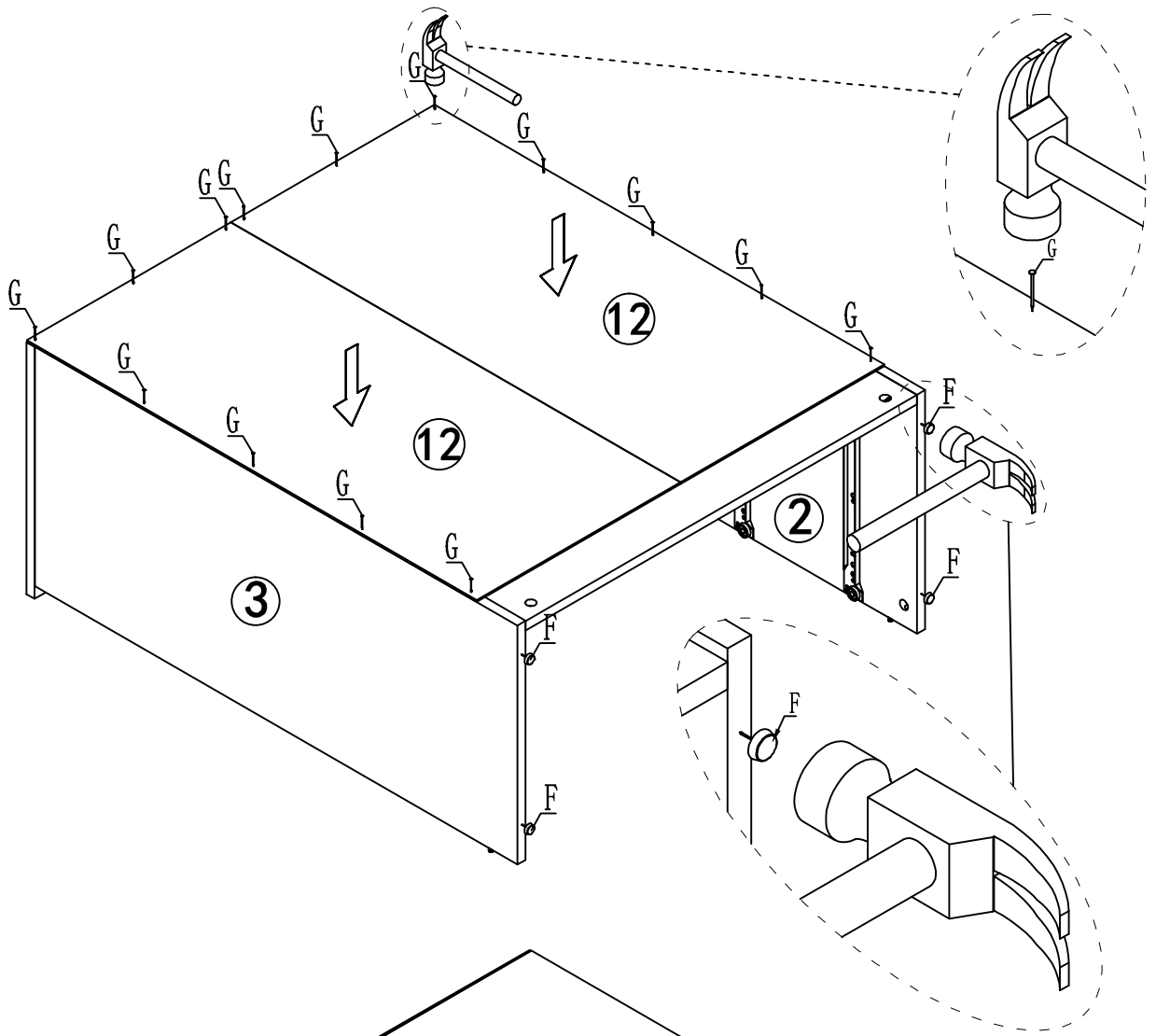
G=12

F=4



Pin

Plastic Feet

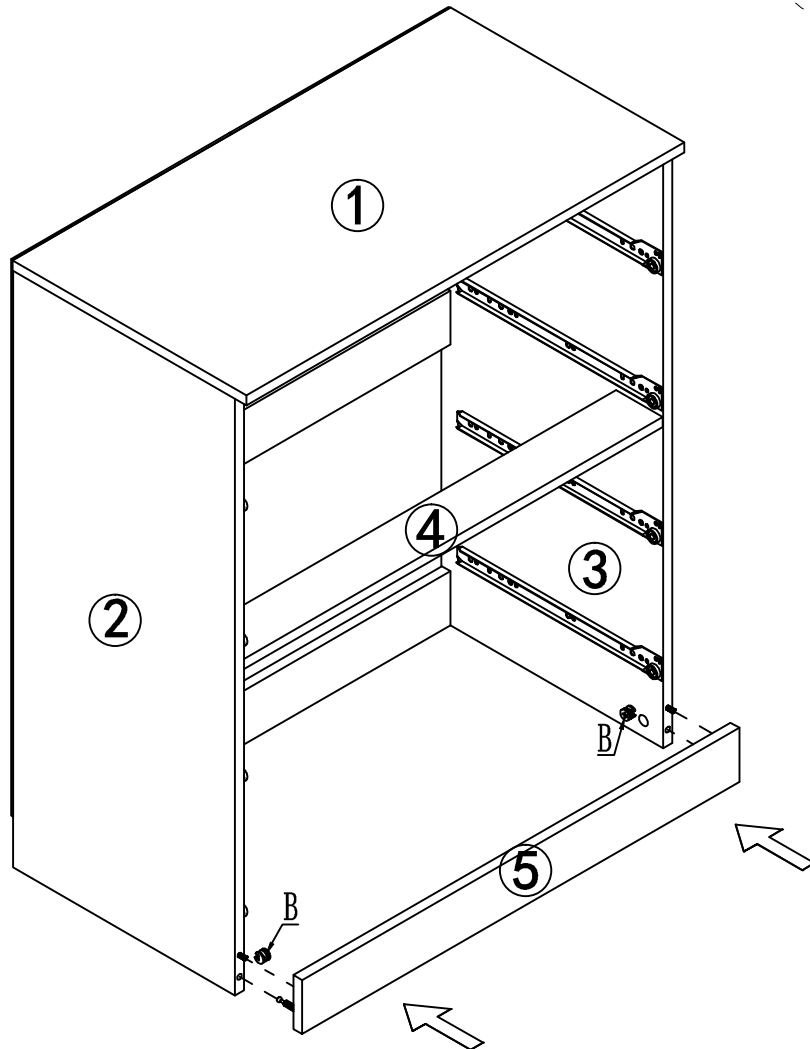


Step 8

B=2



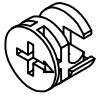
Lock



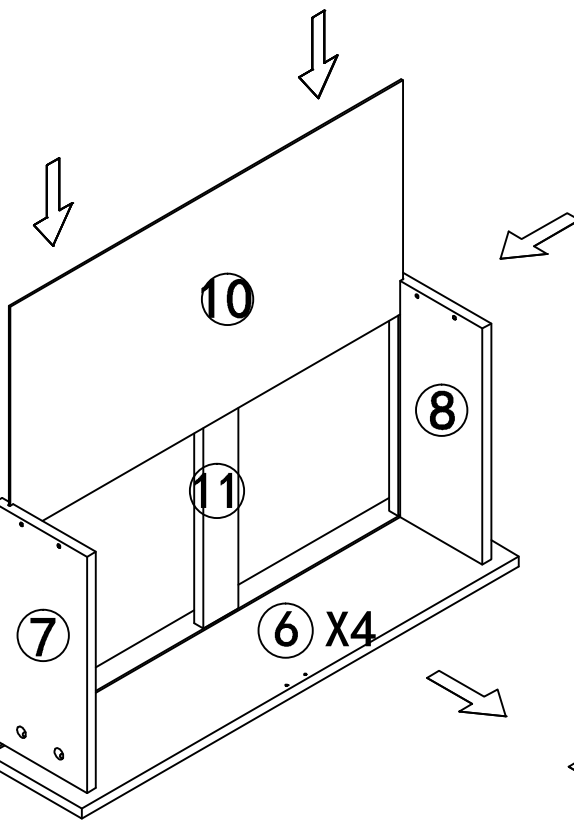
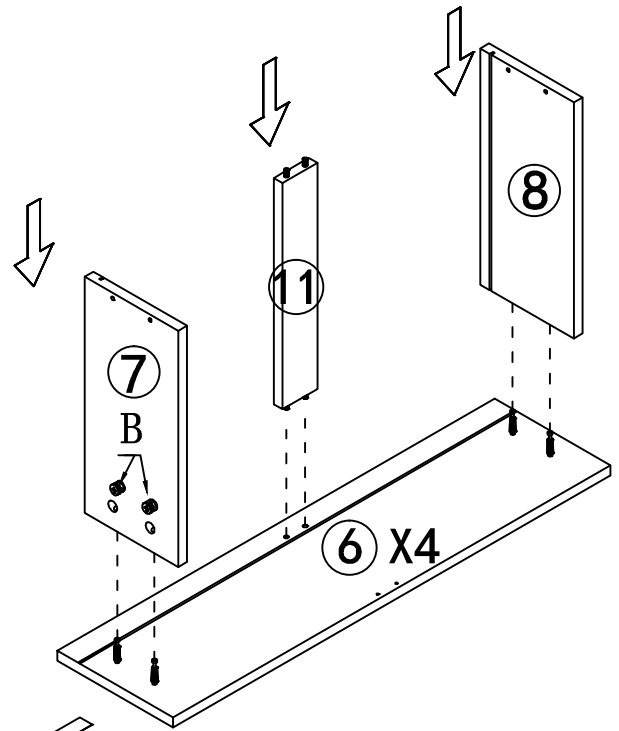
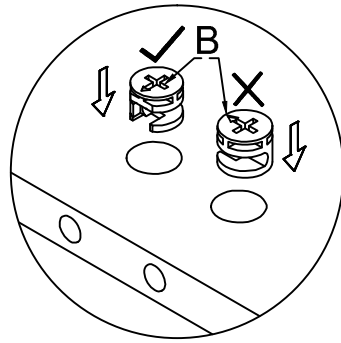
Assembly Instruction

Step 9

B=16



Lock

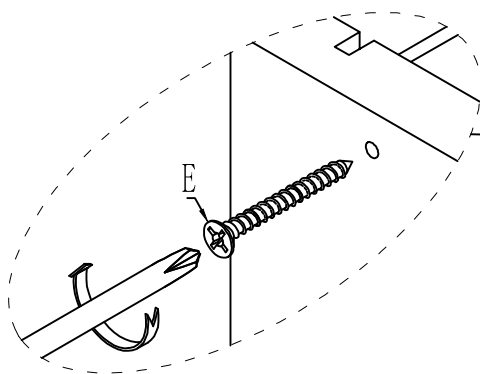
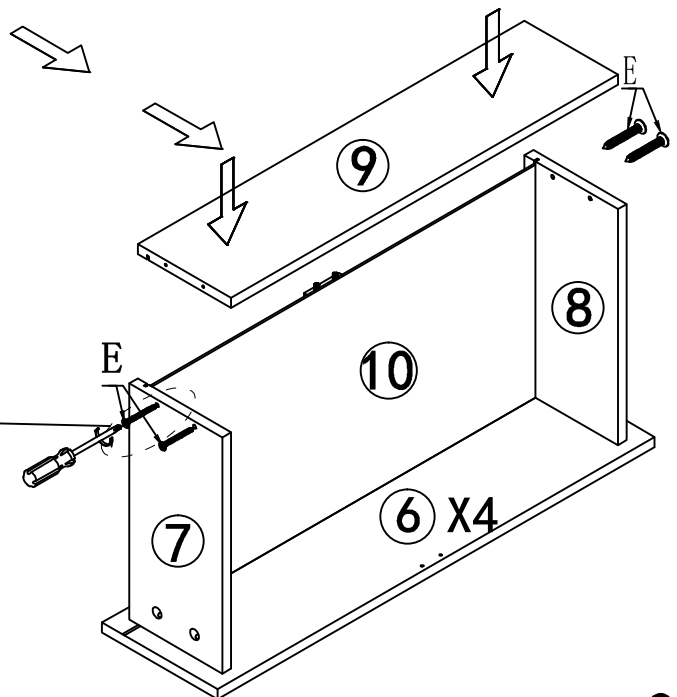


Step 10

E=16



Screw
M4*38



Assembly Instruction

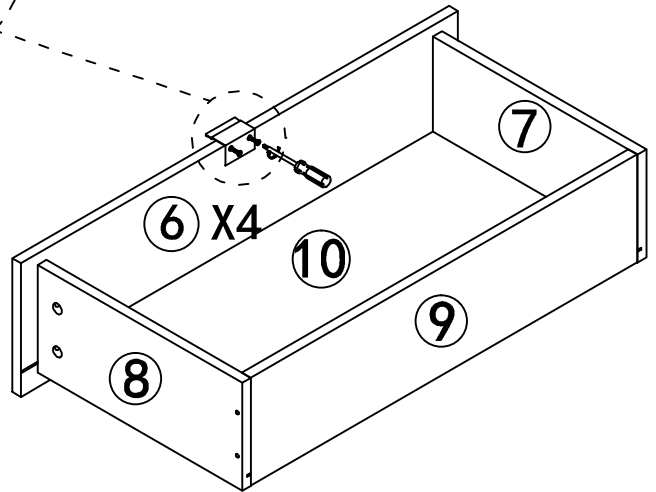
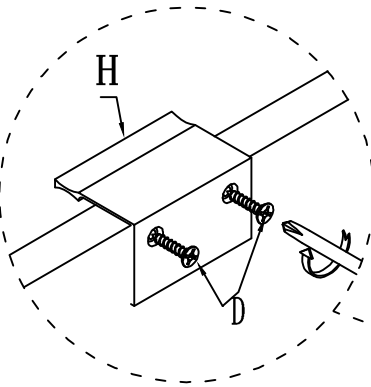
Step 11

D=8

H=4



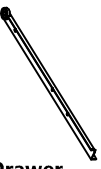
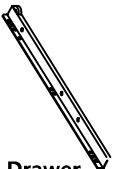
Screw



Step 12

DR=4

DL=4



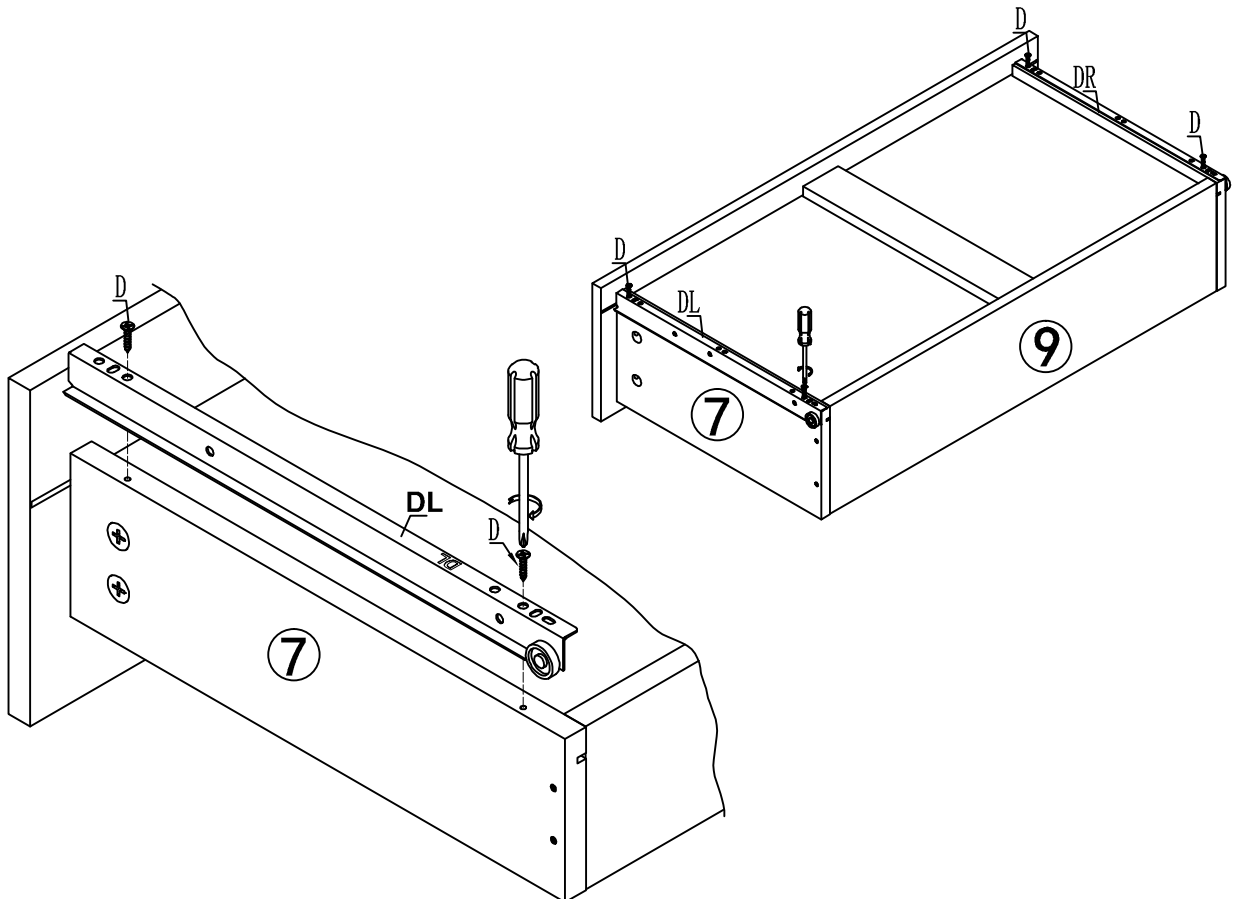
Drawer Runner

Drawer Runner

D=16

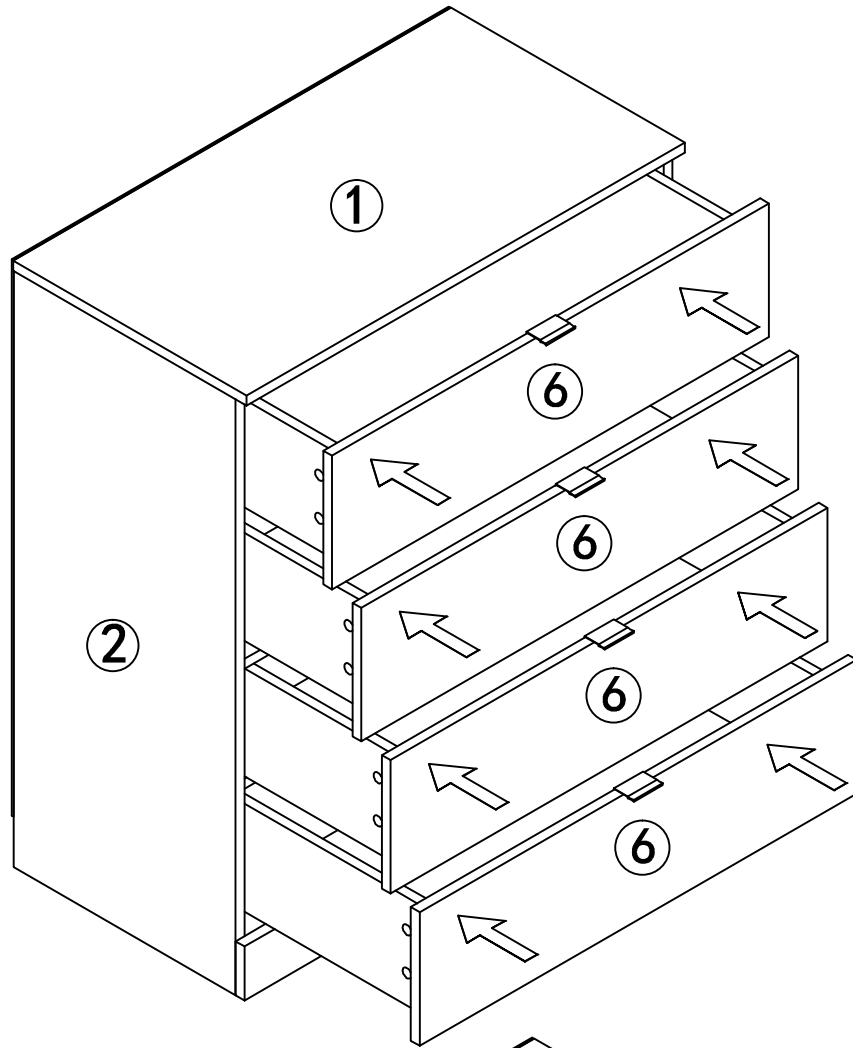


Screw
M3.5*14mm

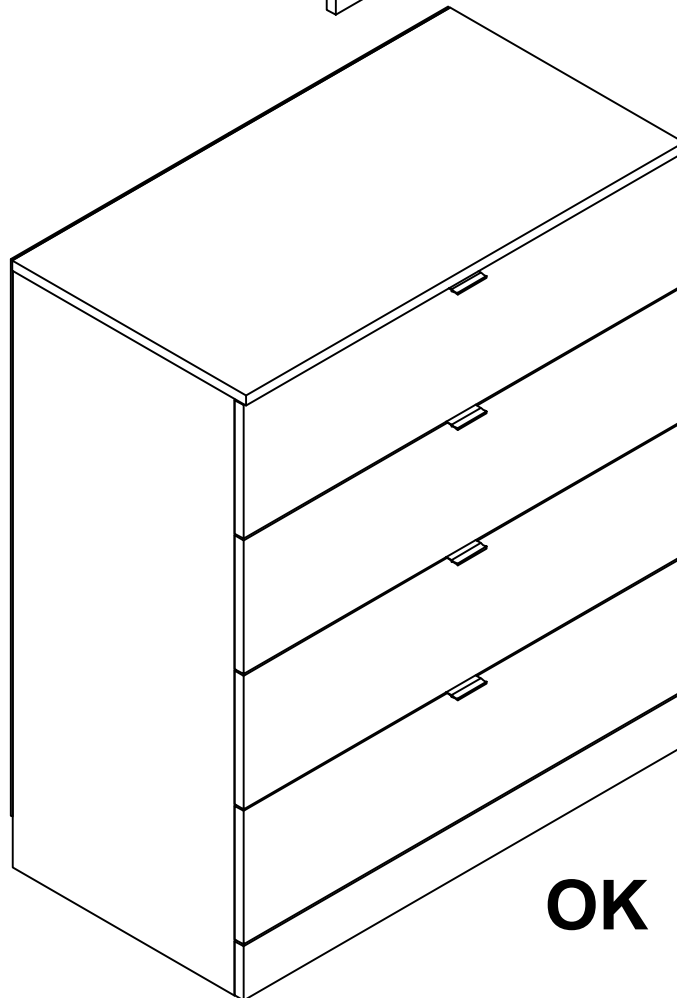


Assembly Instruction

Step 13



Step 14



OK

P=1

