

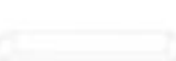


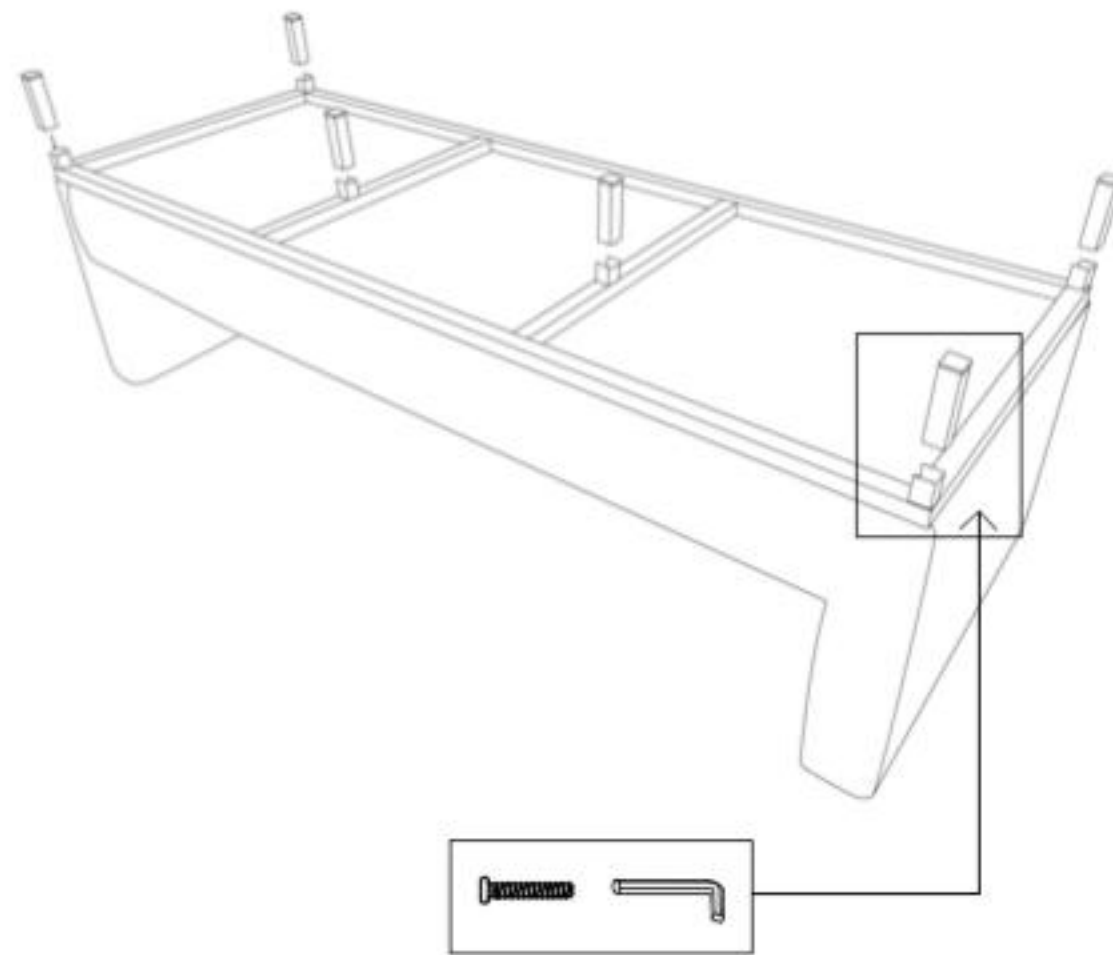
ASSEMBLY INSTRUCTION

3 seater

Parts

NO.	Picture	Description	Side	QTY
A		LEGS	125MM	4
B		middle leg	120MM	2
C		SOFA BODY	84.6"L*31.9"D*26.1"H	1

STEP:1



Locate leg carton packed on sofa.
Simply attach legs using included bolts to the
base of sofa as shown in above diagram

STEP:2



Hardware

NO.	Picture	Description	Size	QTY
D		Allen Key	80MM	1
E		Bolt	10MM	12

Overall Size: **84.6"L*31.9"D*30.1"H**