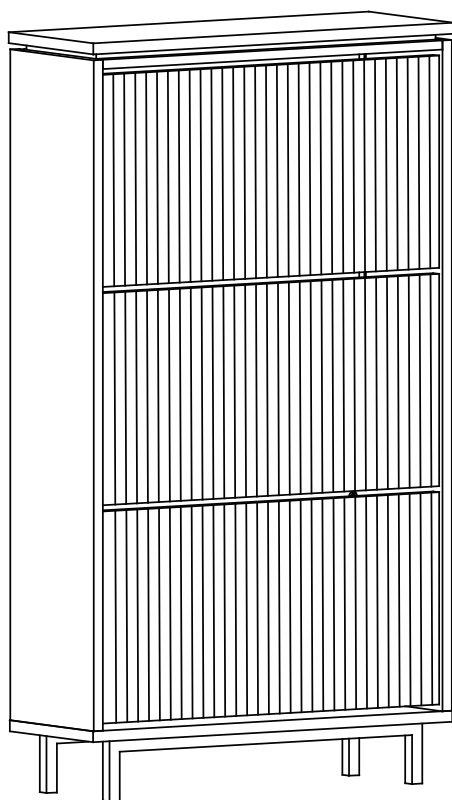


SHOE STORAGE ASSEMBLY GUIDE



Important - Please read these instructions fully before starting assembly



**SAFETY AND
CARE ADVICE**



NO POWER TOOLS

SAFETY AND CARE ADVICE

- Check you have all the components and tools listed.
- Remove all fittings from the plastic bags and separate them into their groups.
- We do not recommend the use of power drills/drivers for inserting screws, as this could damage the unit. Only use hand screwdrivers and Allen keys.
- Keep children and animals away from the work area, small parts could cause choking if swallowed.
- Make sure you have enough space to lay out the parts before starting.
- Assemble the item as close to its final position (in the same room) as possible.
- Do not overtighten the nuts to avoid causing damage to the threads.
- Only clean using a damp cloth and mild detergent, do not use bleach or abrasive cleaners.
- From time to time check that there are no loose screws on this unit.
- This product should not be discarded with household waste. Take to your local authority waste disposal centre.

IMPORTANT INFORMATION



60 MINUTE
BUILD



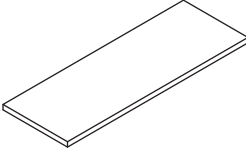
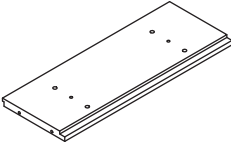
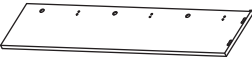
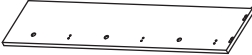
TWO
PERSON



MAXIMUM
CAPACITY 80Kg

PLEASE CHECK CAREFULLY AND MAKE SURE YOU HAVE ALL FITTINGS AND TOOLS LISTED BELOW BEFORE YOU START.

Parts Key:

Label	Part Name	Image / Drawing	Quantify
A	Top Panel		1
B	Top Connecting Plate		1
C	Left Side Panel		1
D	Right Side Panel		1

IMPORTANT INFORMATION



60 MINUTE
BUILD



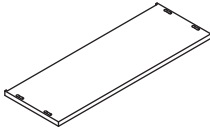
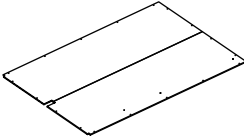
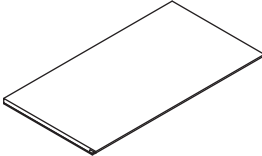
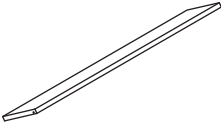
TWO
PERSON



MAXIMUM
CAPACITY 80Kg

PLEASE CHECK CAREFULLY AND MAKE SURE YOU HAVE ALL FITTINGS AND TOOLS LISTED BELOW BEFORE YOU START.

Parts Key:

Label	Part Name	Image / Drawing	Quantify
E	Bottom Panel		1
F	Back Panel		1
G	Door panels		3
H	Shelf Panels		3

IMPORTANT INFORMATION



60 MINUTE
BUILD



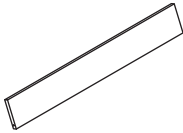
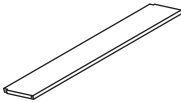
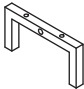
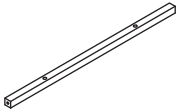
TWO
PERSON



MAXIMUM
CAPACITY 80Kg

PLEASE CHECK CAREFULLY AND MAKE SURE YOU HAVE ALL FITTINGS AND TOOLS LISTED BELOW BEFORE YOU START.

Parts Key:

Label	Part Name	Image / Drawing	Quantify
I	Bottom Shelf Panels		3
J	Shelf panels		3
K	Legs		2
L	Apron		1

IMPORTANT INFORMATION



60 MINUTE
BUILD










TWO
PERSON



MAXIMUM
CAPACITY 80Kg

PLEASE CHECK CAREFULLY AND MAKE SURE YOU HAVE ALL FITTINGS AND TOOLS LISTED BELOW BEFORE YOU START.

Hardware Key:

Label	Hardware Description	Image / Drawing	Size(mm)	Quantify
H1	Allen Key		5#	1
H2	Bolts		M6x35mm	12
H3	Bolts		M6x16mm	1
H4	Screws		M3.5x16mm	66
H5	L-Bracket			1
H6	Nuts			6
H7	Washers		∅6x16mm	13

NOTE: The quantities above are the correct amount to complete the assembly. In some cases more fittings may be supplied than are required.

IMPORTANT INFORMATION



60 MINUTE
BUILD






TWO
PERSON



MAXIMUM
CAPACITY 80Kg

PLEASE CHECK CAREFULLY AND MAKE SURE YOU HAVE ALL FITTINGS AND TOOLS LISTED BELOW BEFORE YOU START.

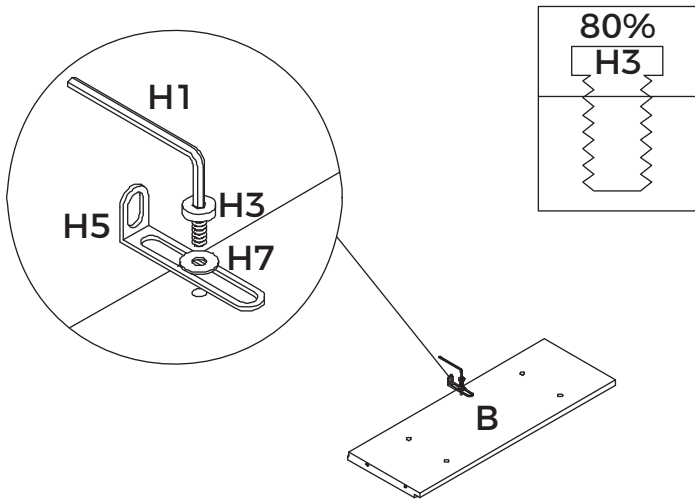
Hardware Key:





Label	Hardware Description	Image / Drawing	Size(mm)	Quantify
H8	Left tray shoe racks			3
H9	Right tray shoe racks			3
H10	Dowels		Ø8x30mm	2

NOTE: The quantities above are the correct amount to complete the assembly. In some cases more fittings may be supplied than are required.

STEP 1

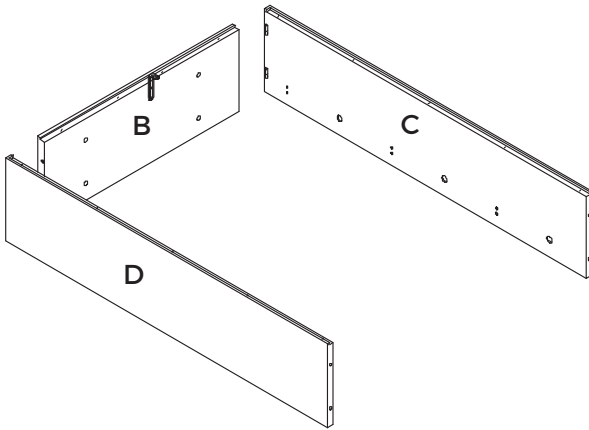
Loosely attach 1 x L-bracket (H5) to Top connecting plate (Part B) using 1 x Bolts (H3) and 1 x Washers (H7) with Allen key (H1).



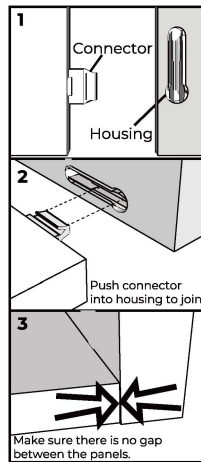
							
H1	1pcs	H3	1pcs	H5	1pcs	H7	1pcs

STEP 2

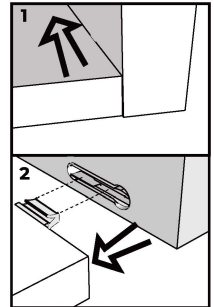
Attach Left side panel (Part C) and Right side panel (Part D) to Top connecting plate (Part B) as shown.



assembly instruction

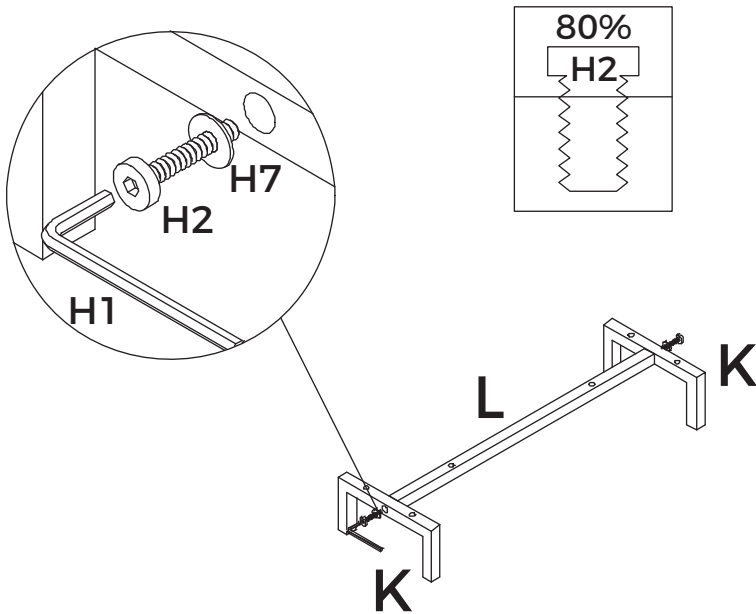


disassembly instruction



STEP 3

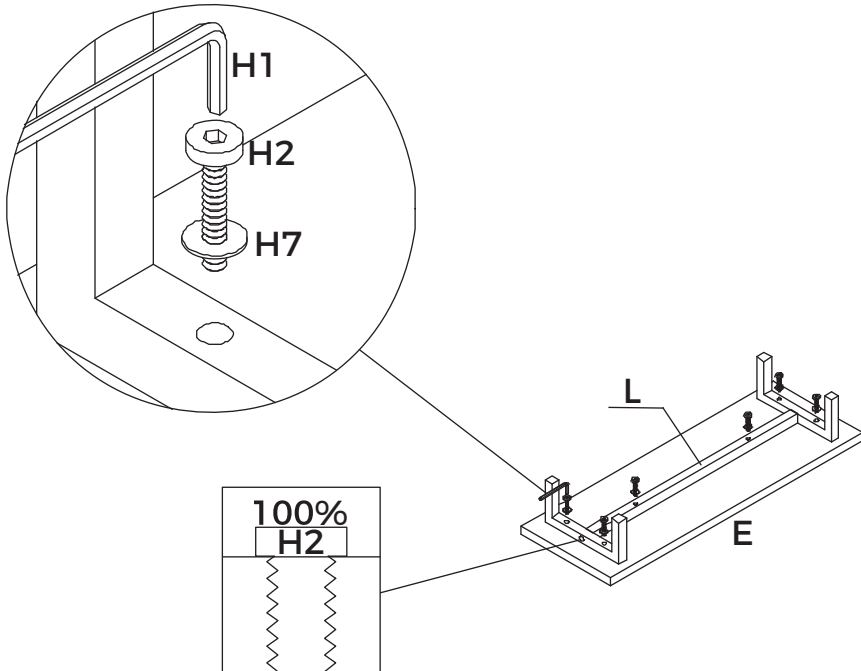
Loosely attach 2 x Legs (Part K) to 1 x Apron (Part L) using 2 x Bolts (H2) and 2 x Washers (H7) with Allen key (H1).



H1	1pcs	H2	2pcs	H7	2pcs

STEP 4

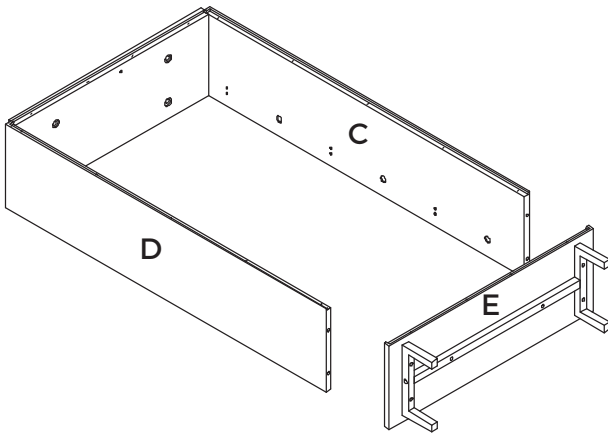
Attach Aprons (Part L) to Bottom panel (Part E) using 6 x Bolts (H2) and 6 x Washers (H7) with Allen key (H1). Fully tighten the Bolts (H2) with Allen key (H1).



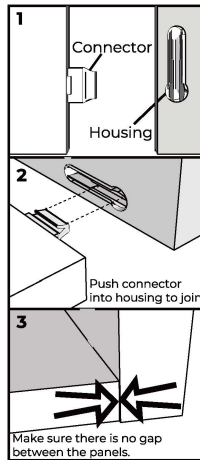
H1	1pcs	H2	6pcs	H7	6pcs

STEP 5

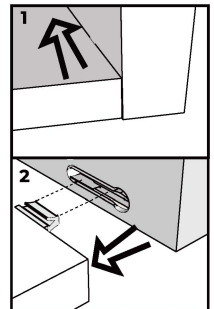
Attach Left side panel (Part C) and Right side panel (Part D) to Bottom panel (Part E) as shown.



assembly instruction

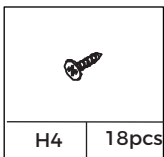
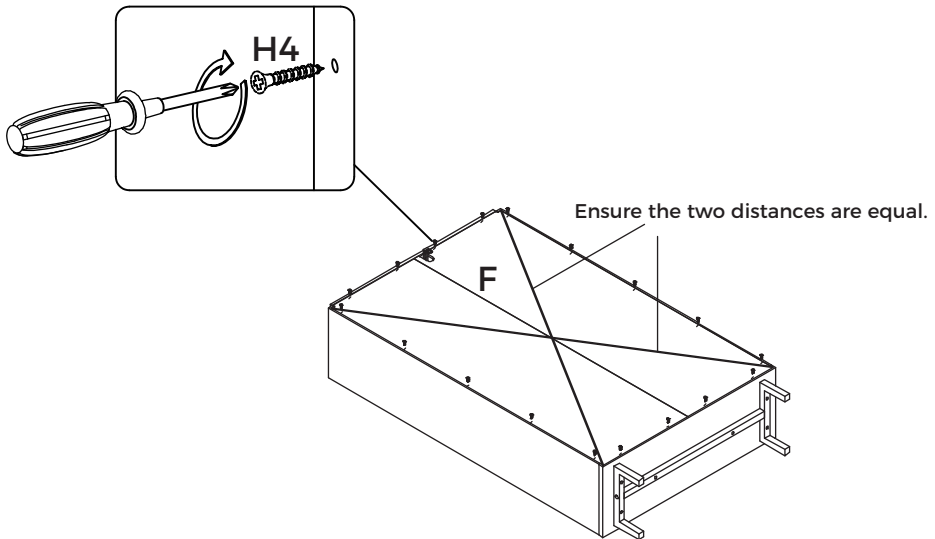


disassembly instruction



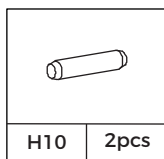
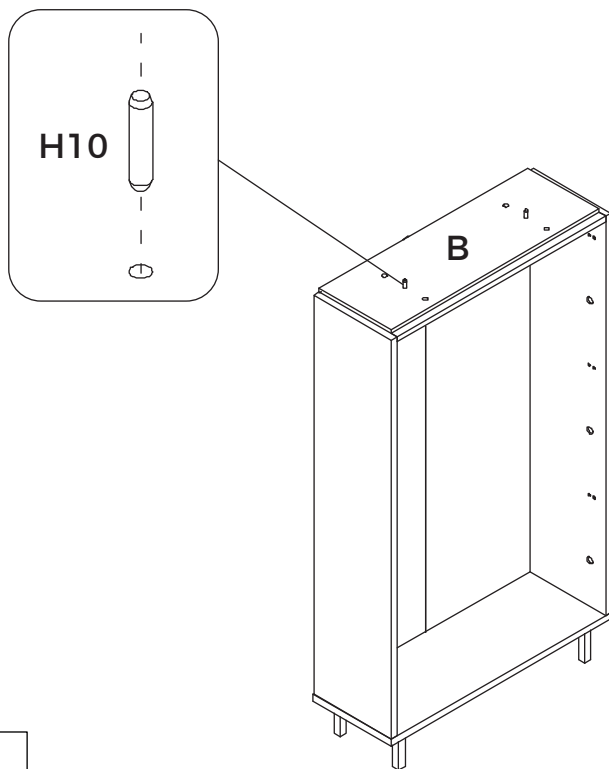
STEP 6

Attach Back panel (Part F) to Frame using 18 x Screws (H4) with a Phillips Head Screwdriver.



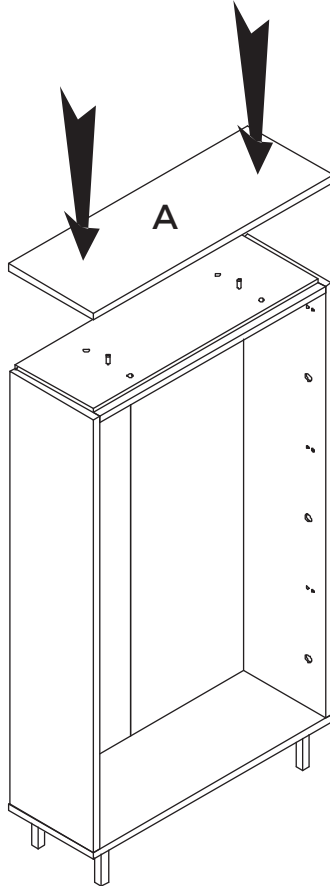
STEP 7

Insert 2 x Dowels (H10) into Top connecting plate (Part B) as shown.



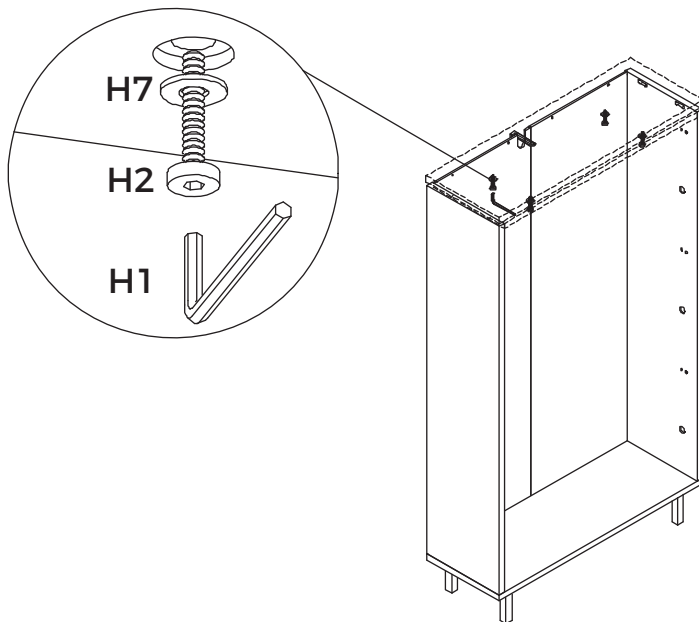
STEP 8




Place Top panel (Part A) on Top connecting plate (Part B), making sure the holes are aligned.



STEP 9

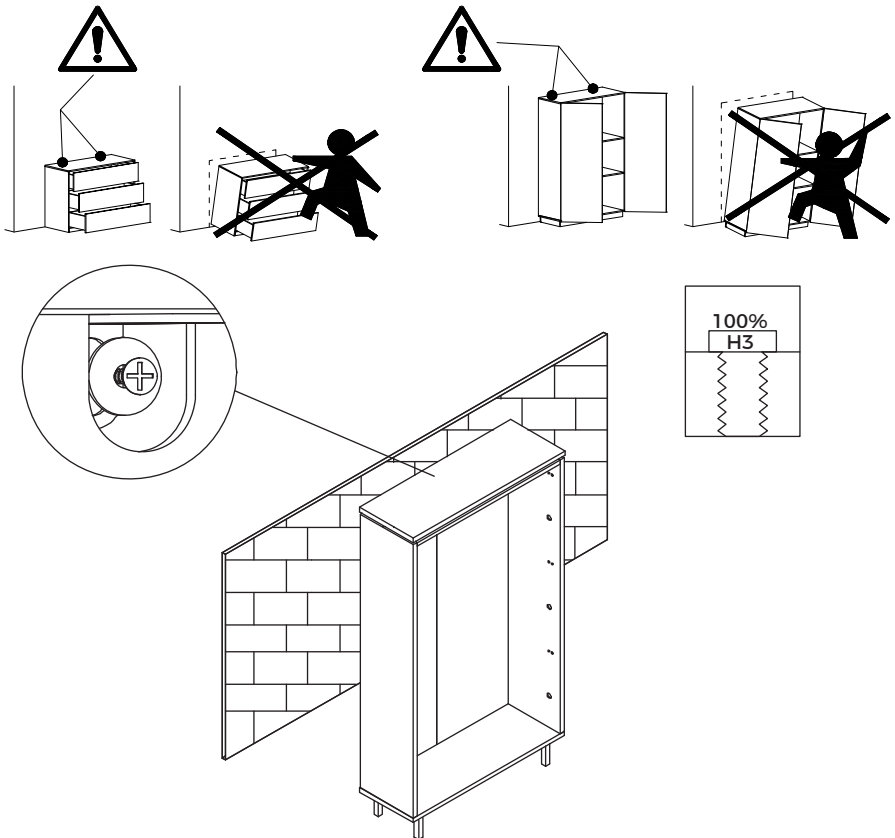
Attach Top panel (Part A) to Top connecting plate (Part B) using 4 x Bolts (H2) and 4 x Washers (H7) with Allen key (H1).



					
H1	1pcs	H2	4pcs	H7	4pcs

STEP 10

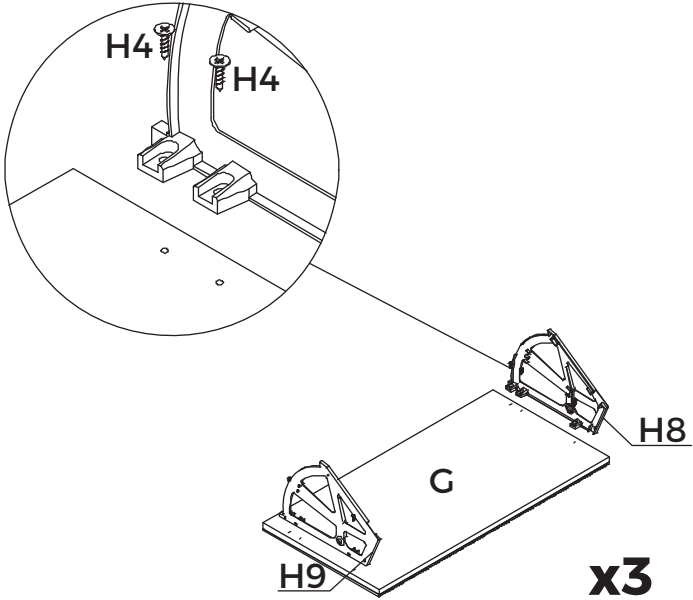
With help, move the Shoe Storage into position.
 Mark fixing hole on wall and remove the Shoe Storage.
 Reposition Shoe Storage and fix it to wall using recommended screws.
 Fully tighten screws and Bolts (H3) on L-brackets.






**For safety, this cabinet should be securely affixed to the wall using appropriate fixings for your wall type.
 If in doubt, please consult a professional or seek advice from your local hardware store.**

STEP 11

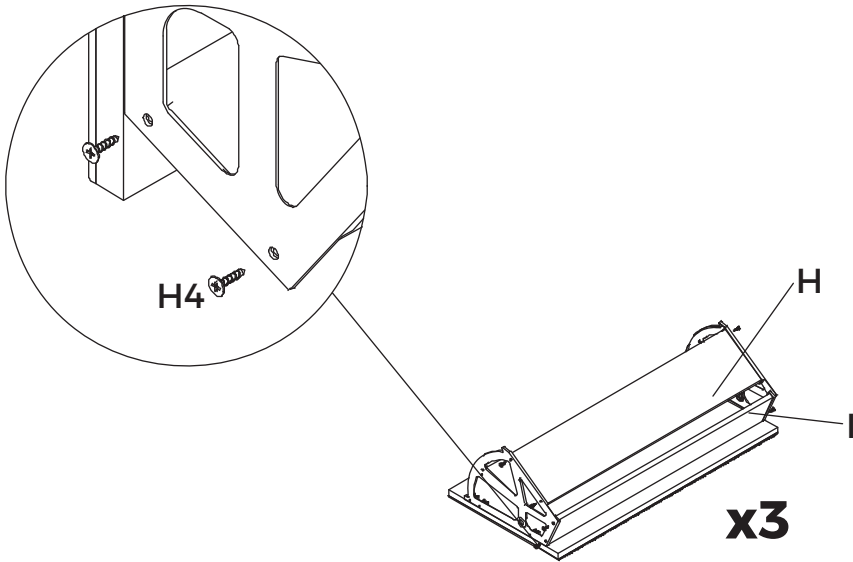
Attach 3 x Left tray shoe racks (H8) and 3 x Right tray shoe racks (H9) to 3 x Door panel (Part G) using 18 x Screws (H4) with a Phillips Head Screwdriver.




					
H4	18pcs	H8	3pcs	H9	3pcs

STEP 12

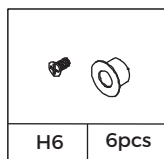
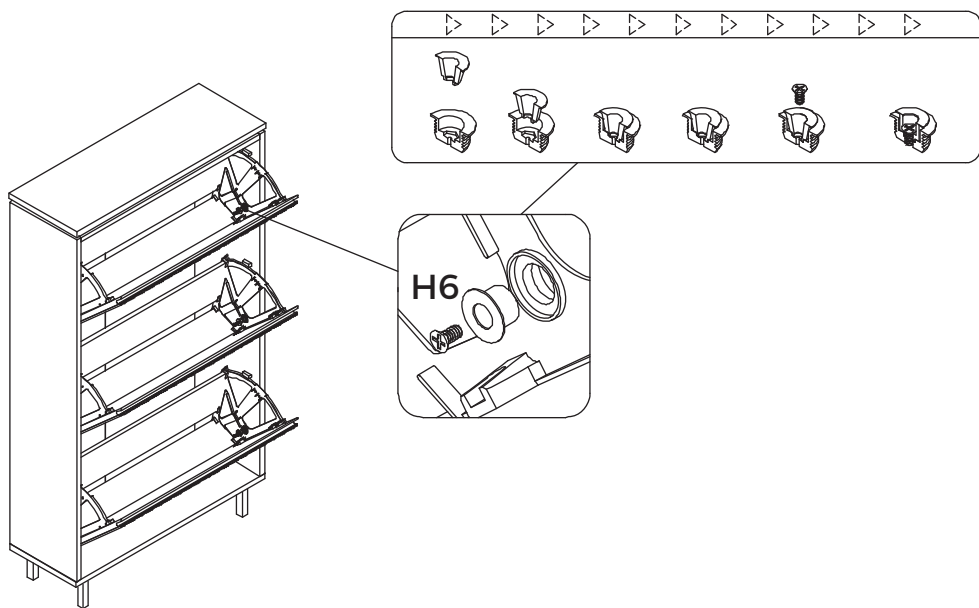
Attach 3 x Left tray shoe racks (H8) and 3 x Right tray shoe racks (H9) to 3 x Shelf panel (Part H) and Bottom shelf panel (Part I) using 24 x Screws (H4) with a Phillips Head Screwdriver.



	
H4	24pcs

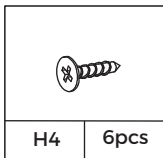
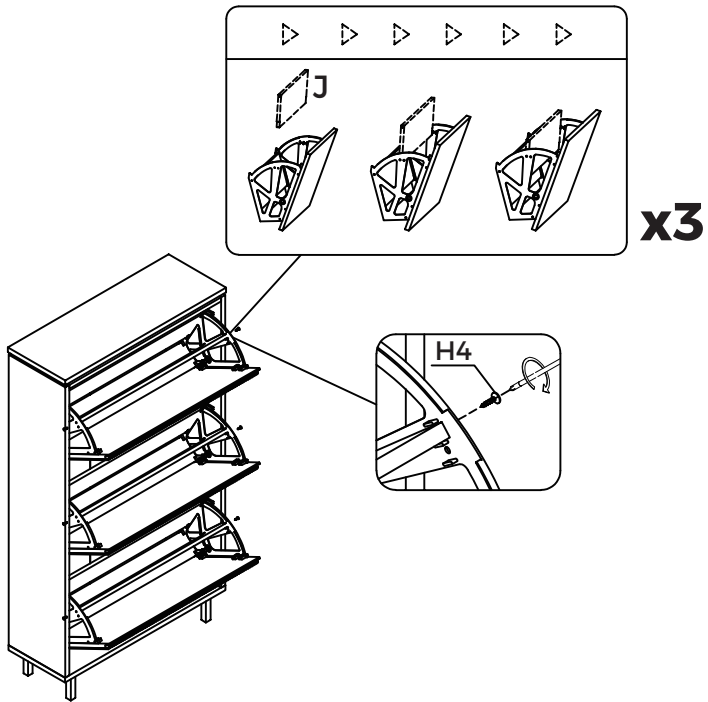
STEP 13

Attach 3 x Pre-fixed shoe racks onto the Left side panel (Part C) and Right side panel (Part D) with 6 x Nuts (H6) as shown.



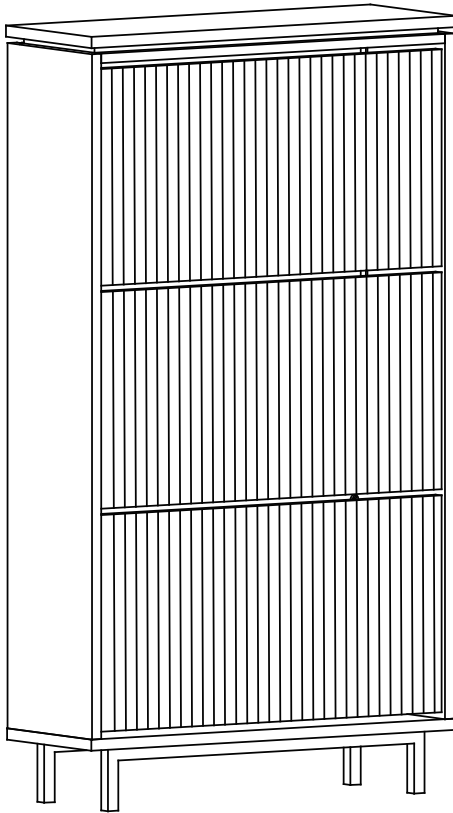
STEP 14

Attach 3 x Shelf panel (Part J) into shoe racks using 6 x Screws (H4) with a Phillips Head Screwdriver.



STEP 15

Your Shoe storage is complete and ready to use.





Our 2 Year **GUARANTEE**

Our products come with a 2 year guarantee, giving you extra peace of mind when shopping with us!

What the guarantee covers



PRE-INSERTED FIXINGS
e.g. loose metal threads



FAULTY JOINTS
e.g. legs bending



EXTERNAL FIXING FAULTS
e.g. metal discs removing
from table top



STRUCTURAL INTEGRITY
e.g. the frame of the
product