


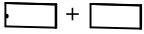



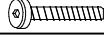

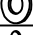





# ASSEMBLY INSTRUCTIONS

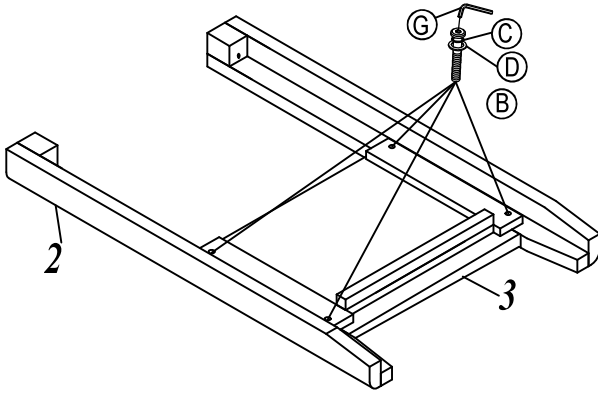
Dimension: 60"L \* 40"W \* 30"H

## Description: Dining Table

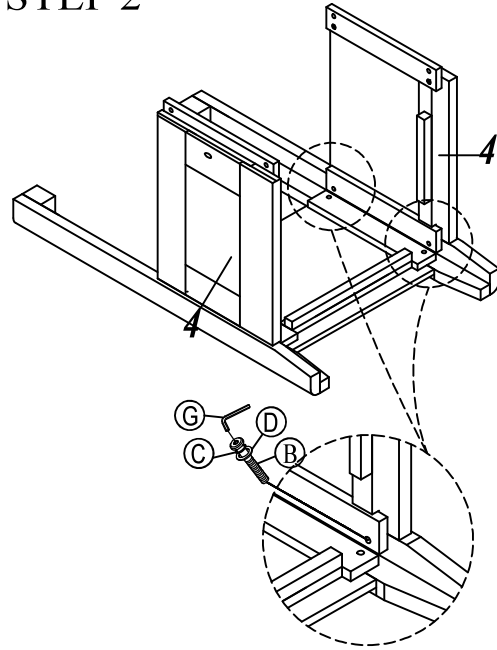
No	Description	Q'TY
1	TABLE TOP 	1pc
2	TABLE LEG 	4pcs
3	BASE SIDE PANEL SHORT 	2pcs
4	BASE SIDE PANEL LONG 	2pcs
5	BOTTOM PANEL 	1pc
6	TOP FLOOR SHELF 	1pc

No	Description	Q'TY
A	BOLT 	4pcs
B	BOLT 	16pcs
C	LOCK WASHER 	16pcs
D	METAL WASHER 	16pcs
E	LOCK WASHER 	4pcs
F	METAL WASHER 	4pcs
G	ALLEN KEY 	1pc

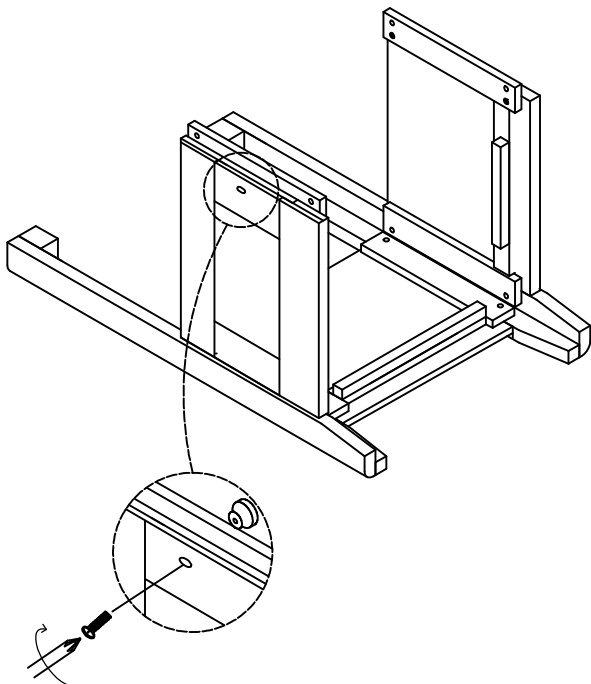
### STEP 1



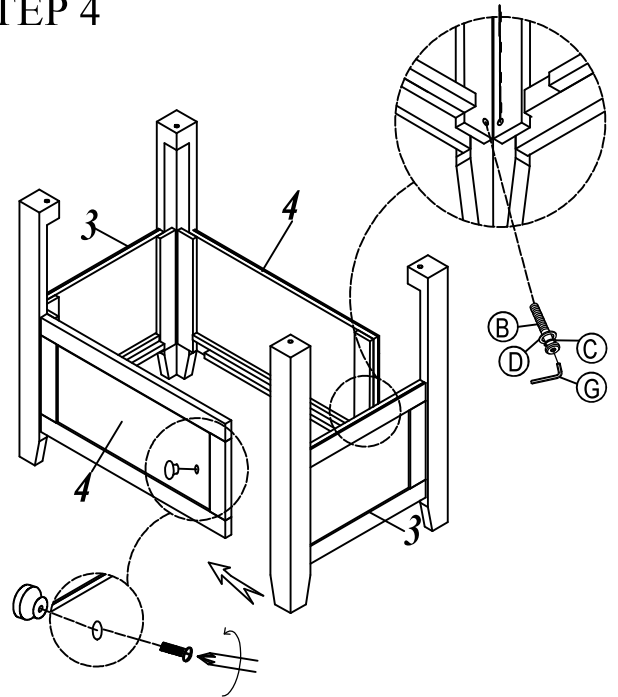
### STEP 2



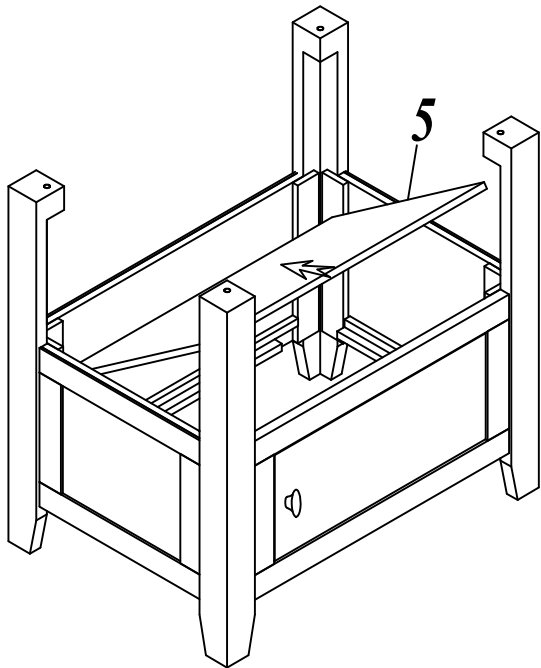
### STEP 3



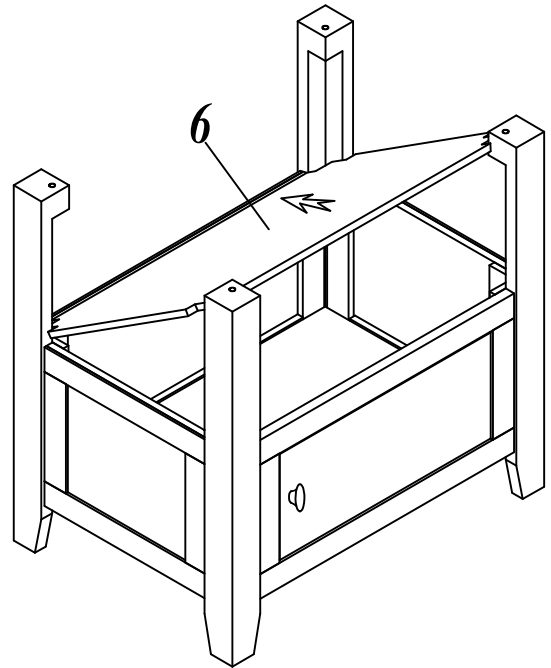
### STEP 4



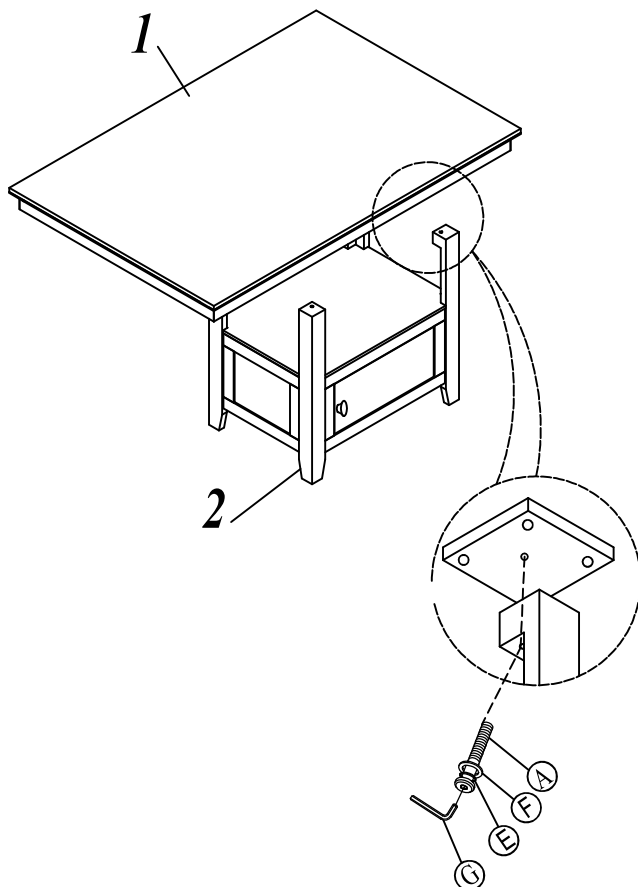
### STEP 5



### STEP 6



### STEP 7 Tighten up after align the screw holes position



### STEP 8

