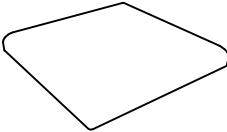
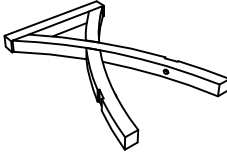
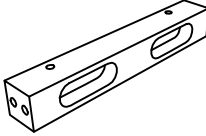
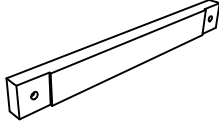


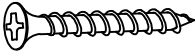



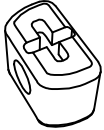
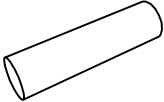
ASSEMBLY INSTRUCTION

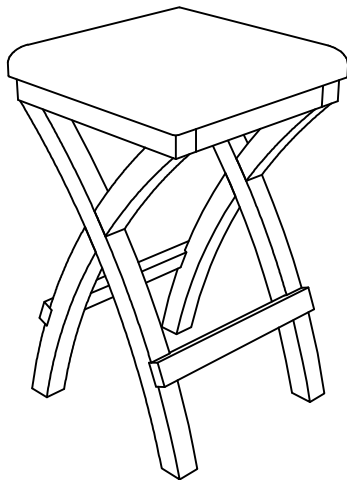
X BASE STOOL

CHAIR PARTS LIST

A Seat Cushion	B Stool Side	C Stool Top Crossbar	D Stool Bottom Crossbar
			
1pc	2pcs	2pcs	2pcs

CHAIR HARDWARE LIST

1 Wood Screw	2 Allen Wrench	3 Long Allen Bolt	4 Short Allen Bolt
			
4pcs	1pc	4pcs	4pcs
5 Plastic Washer	6 Small Wood Dowel		
			
4pcs	4pcs		

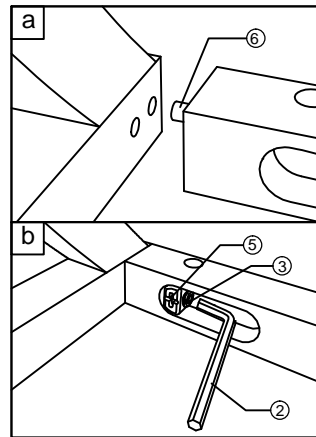
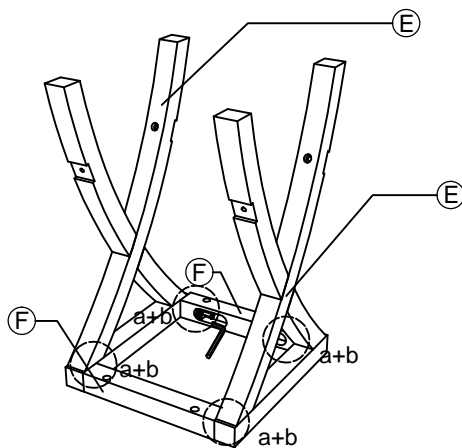


This page lists all the contents included in the box. Please take the time to identify the hardware as well as the individual components to this product. As you unpack and prepare for assembly, place the contents on a carpeted or padded area to protect them from damage.

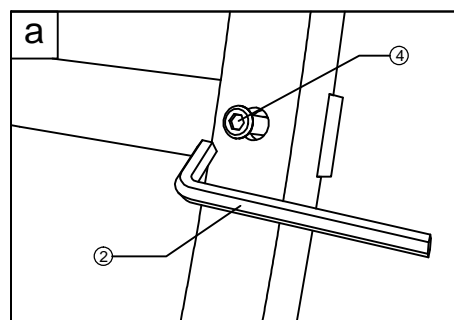
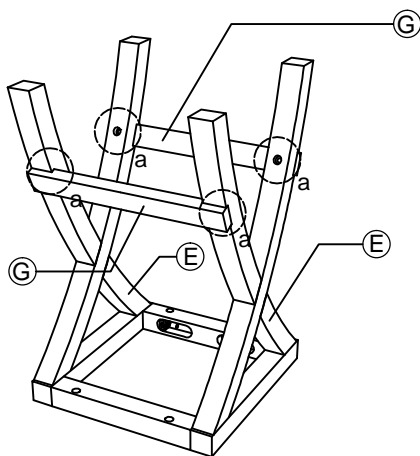
1

Attach two stool top crossbars (F) to two stool sides (E) using four small wood dowels (6) as instruction (a).

Secure the stool top crossbars (F) to the stool sides (E) using four long Allen bolts (3) and four plastic washers (5) as instruction (b). Tighten the Allen bolts with Allen wrench (2).

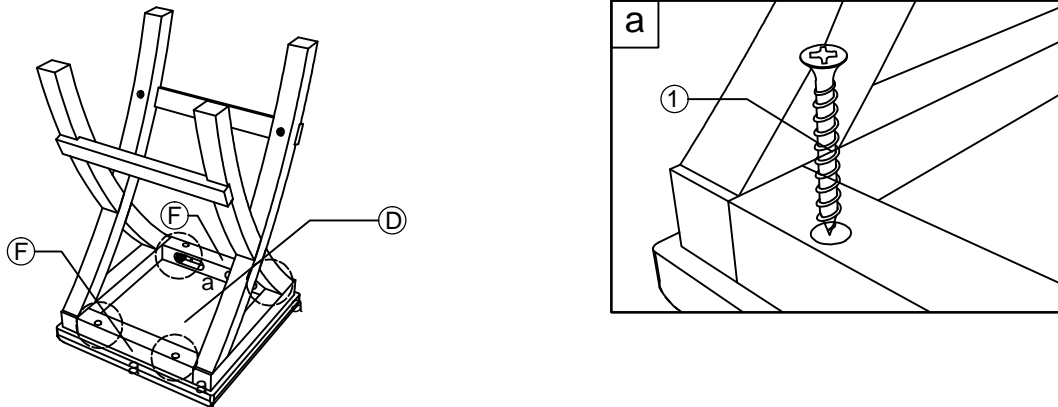
**2**

Attach two stool bottom crossbar (G) to the stool sides (E) using four short Allen bolts (4) as instruction (a). Tighten the bolts with Allen wrench (2).



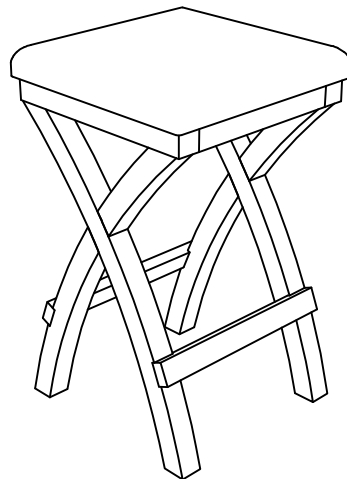
3

Place the seat cushion (D) upside down on a non-abrasive surface such as carpet. Attach the stool base to the seat cushion (D) using four wood screws (1) as instruction (a).



4

Turn the stool upright. The stool is now ready for use.



Cleaning & Care

Treat surface with care. Surface is resistant to scratches but is not scratch resistant. Clean surface with a dry or damp soft cloth. Do not use abrasive cleaners. Hardware may loosen over time. Periodically check that all connections are tight.