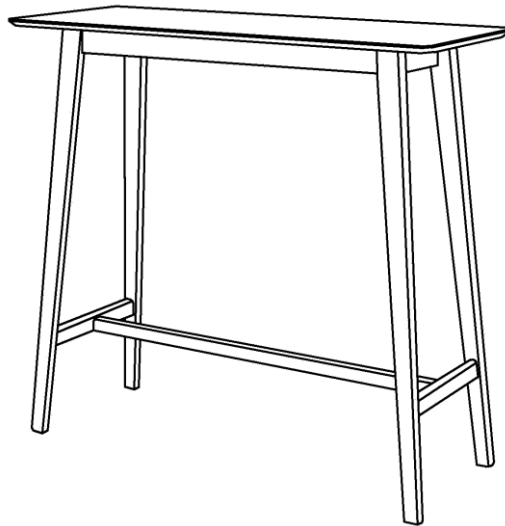


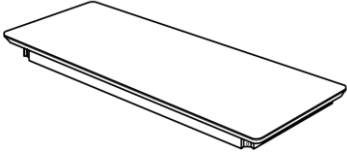
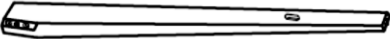
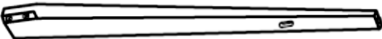


# Assembly Instructions

**Caution : You must read this before you proceed**

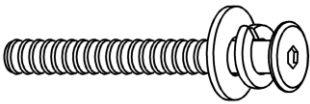

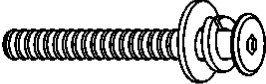

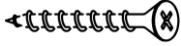
## BAR TABLE



### Part List

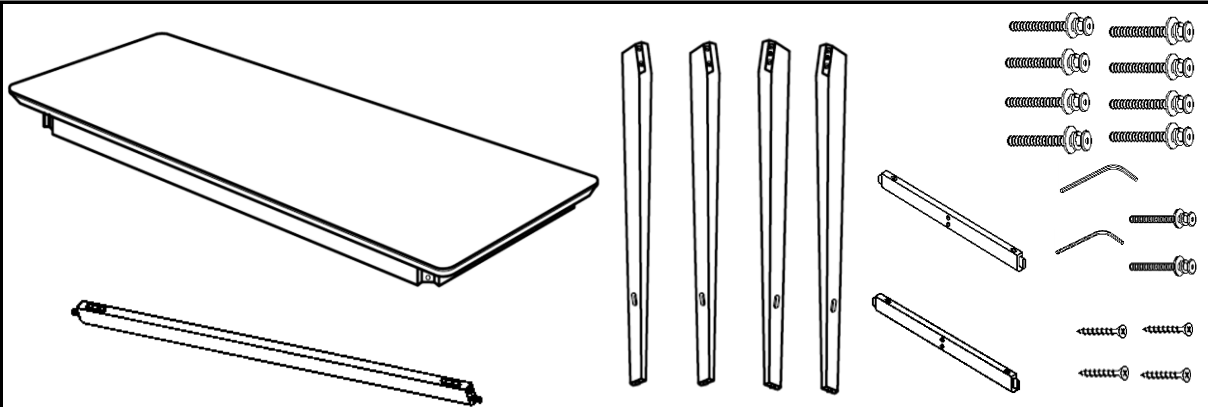
Label	Picture	Description	QTY
A		Table Top	1
B		Table Leg B	2
C		Table Leg C	2
D		Side Stretcher	2
E		Cross Bar	1

# Hardware

Label	Picture	Description	QTY
①		JCBB M8 x 70mm + S/W 5/16" + F/W 5/16" x 22mm	8
②		Allen Key M5	1
③		JCBC M6 x 45mm + S/W M6 + F/W M6 x 13mm	2
④		Allen Key M4	1
⑤		FH SCREW #8 x 32mm	4

# Assembly Preparation

Before Beginning Assembly:



- Read instructions, cover to cover-



- Have 2 adults on hand for assembly-



- Do not assemble on flooring or carpet-



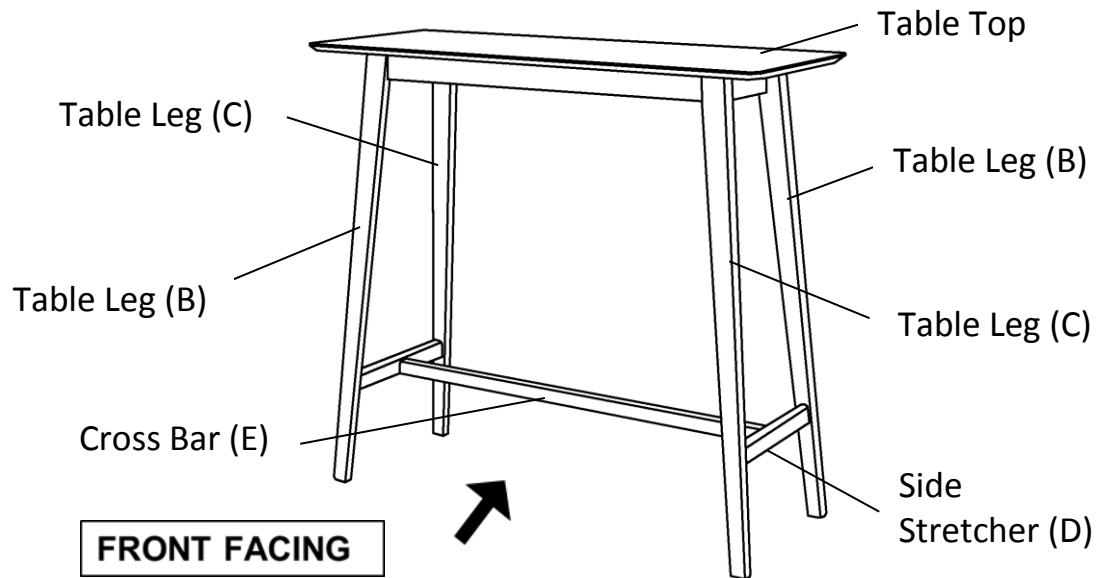
- Assemble on a clean non-marring surface (packing foam)-



- Save all packaging until finished-

# Assembly Steps

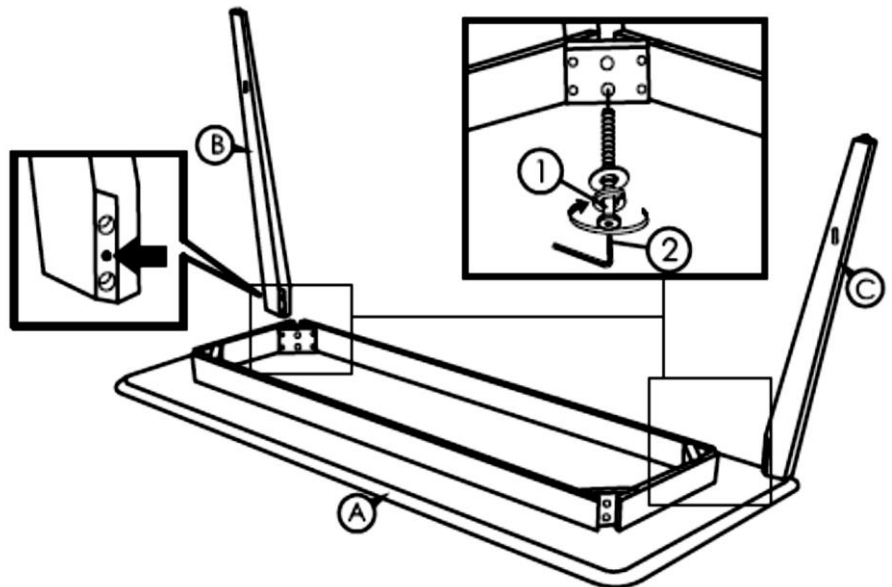
## Overview



This Bar Table has multiple parts and may require up to some 30 minutes to assemble. To give you an overview of the Bar Table parts, the above picture is to help you put the various parts into perspective. Please read through the instructions below to familiarise yourself with the parts and steps before assembly.

## Step 1

**Table Leg (B)**  
has a small  
hole for  
identification



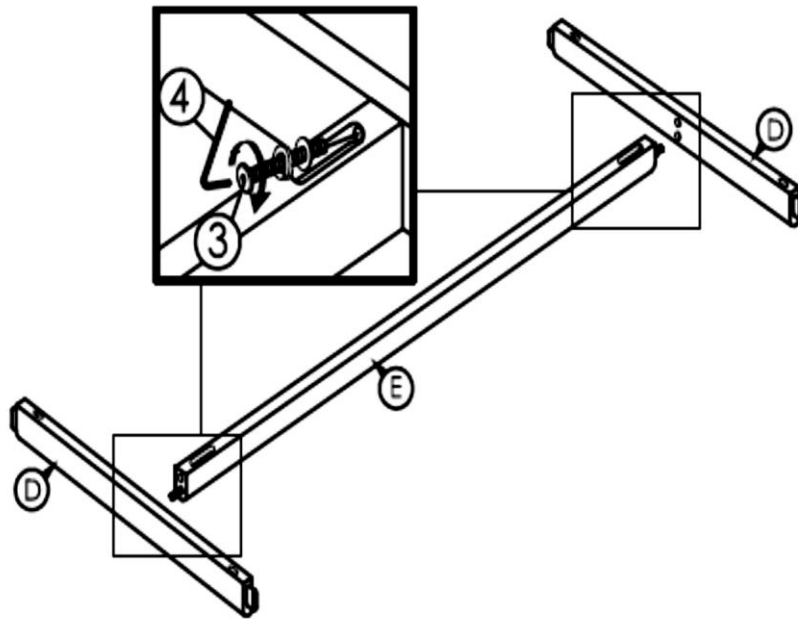
Place the Table top (A) on a soft surface to avoid any scratches or damages to the product and place the Table Leg (B) onto the of table top corner block with your adult partner. Table Leg (B) has a small hole identification.

Fix the Table Leg (B) with JCBB Bolt ① + Spring Washer + Flat Washer using Allen Key ②.

Repeat the step for Table Leg (C) as shown.

**DO NOT FULLY TIGHTEN THE BOLT.**

## Step 2

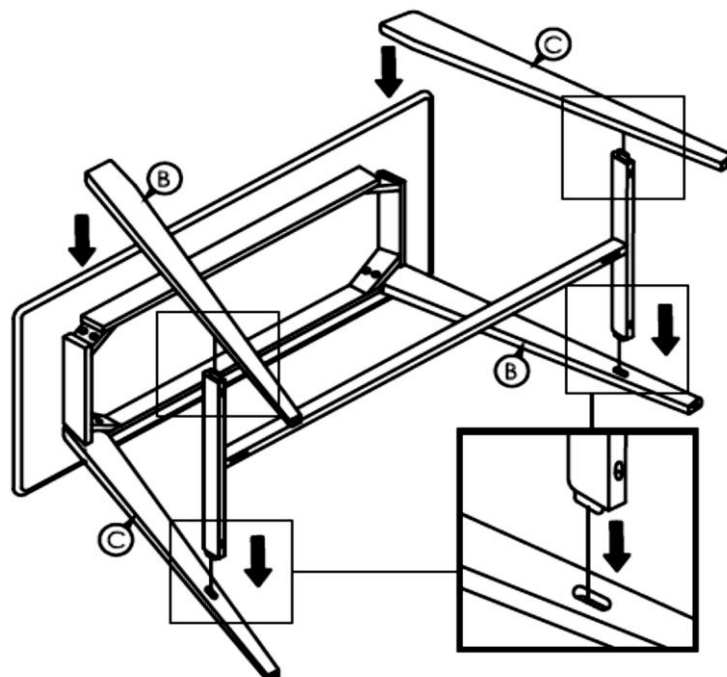


Place the Cross Bar (E) with Side Strechter (D) as shown.

Then, fix the Cross Bar (E) with JCBC Bolt ③ using Allen Key ④.

**DO NOT FULLY TIGHTEN SCREWS.**

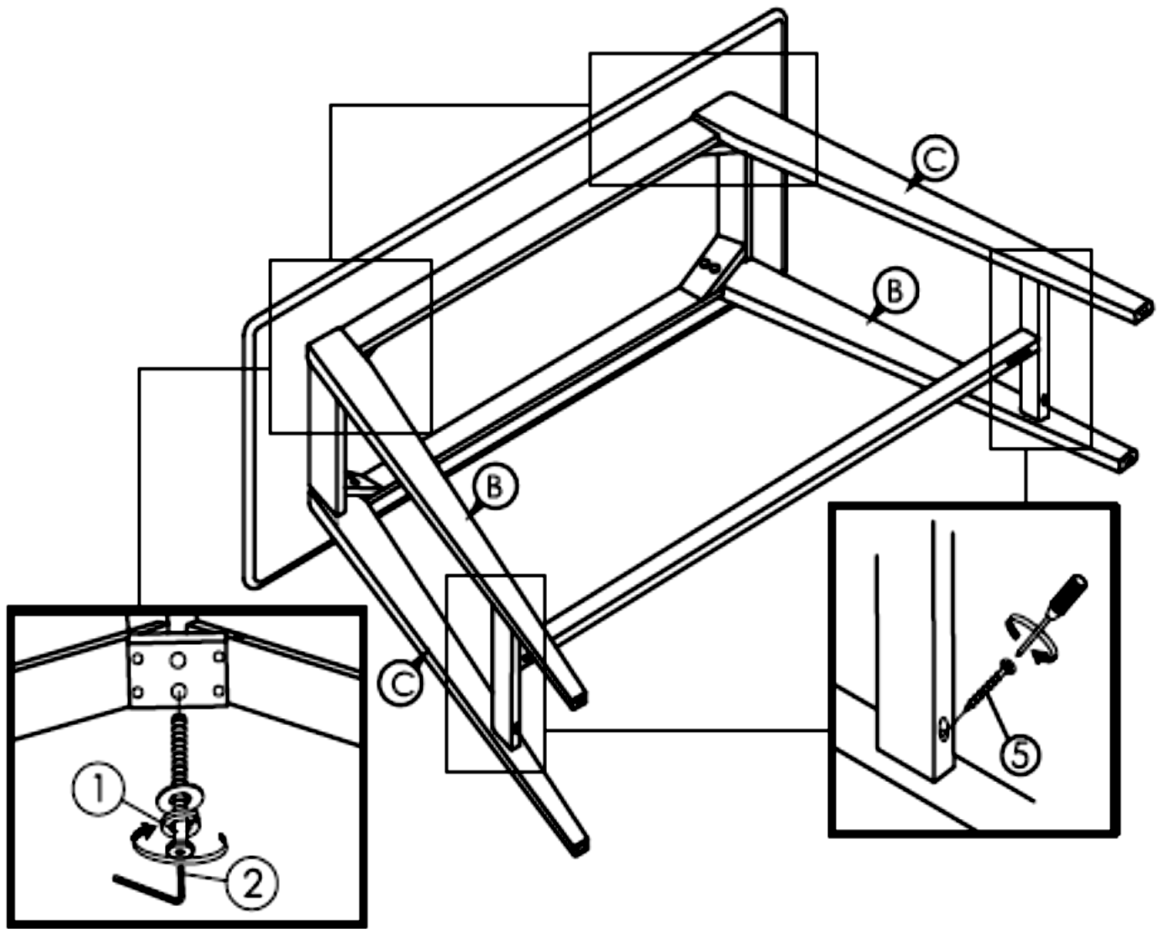
## Step 3



Place the Assembled part that finished on step 2 onto the mounting position of the Table Leg.

Then, slot in the another Table Leg (B) and (C) on the Side stretcher mounting position.

Step 4



Repeat step 1, Fix the Table Leg (B) and (C) with JCBB Bolt ① + Spring Washer + Flat Washer using Allen Key ②.

Fix the Side Stretcher (C) with CSK Screw ⑤ using Screwdriver (not provided).

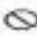

















In case the table wobbles, need loosen tighten the screw and bolts, and use your hand press the top of the table, to make sure the table evenness, and then full tighten the bolts sequence.

**FULLY TIGHTEN THE BOLT.**

With assistance from your adult partner, stand the Table up.

Your Table is now ready for use.

## Care & Maintenance

-   ● Do not put hot items directly on furniture surface
  -   ● Do not clean furniture with harsh cleansers or polish.
  -   ● To obtain the longest lifespan of your outdoor products, minimizing exposure to direct sunlight is recommended.
  -   ● Children should not climb or jump on the furniture.
  -   ● Do not write on furniture without a padded barrier to protect the surface.
  -   ● To obtain the longest lifespan of your outdoor products, avoid extended and lengthy exposure to rain, snow, and direct sunshine. Whenever possible cover the product and /or place under patio or awnings.
  -   ● Not for commercial use. For residential use only .
  -   ● Stains may be removed with mild soap solution and damp cloth.
- 
-   ● Dust and pick-up spills using a clean, non-colored, lint-free cloth .

### Questions & Answers about Proposition 65

#### • What is Proposition 65?

Proposition 65 requires businesses to provide warnings to Californians about significant exposures to chemicals that cause cancer, birth defects or other reproductive harm. These chemicals can be in the products that Californians purchase, in their homes or workplaces, or that are released into the environment. By requiring that this information be provided, Proposition 65 enables Californians to make informed decisions about their exposures to these chemicals.

Proposition 65 also prohibits California businesses from knowingly discharging significant amounts of listed chemicals into sources of drinking water.

Proposition 65 requires California to publish a list of chemicals known to cause cancer, birth defects or other reproductive harm. This list, which must be updated at least once a year, has grown to include approximately 900 chemicals since it was first published in 1987.

#### • What types of chemicals are on the Proposition 65 list?

The list contains a wide range of naturally occurring and synthetic chemicals that include additives or ingredients in pesticides, common household products, food, drugs, dyes, or solvents. Listed chemicals may also be used in manufacturing and construction, or they may be byproducts of chemical processes, such as motor vehicle exhaust.

#### • What does a warning mean?

If a warning is placed on a product label or posted or distributed at a workplace, a business, or in rental housing, the business issuing the warning is aware or believes that it is exposing individuals to one or more listed chemicals.

By law, a warning must be given for listed chemicals unless the exposure is low enough to pose no significant risk of cancer or is significantly below levels observed to cause birth defects or other reproductive harm.

#### • Where can I get more information on Proposition 65?

If you have specific questions on the administration or implementation of Proposition 65, you can contact OEHHA's Proposition 65 program at [P65.Questions@oehha.ca.gov](mailto:P65.Questions@oehha.ca.gov), or by phone at (916) 445-6900.