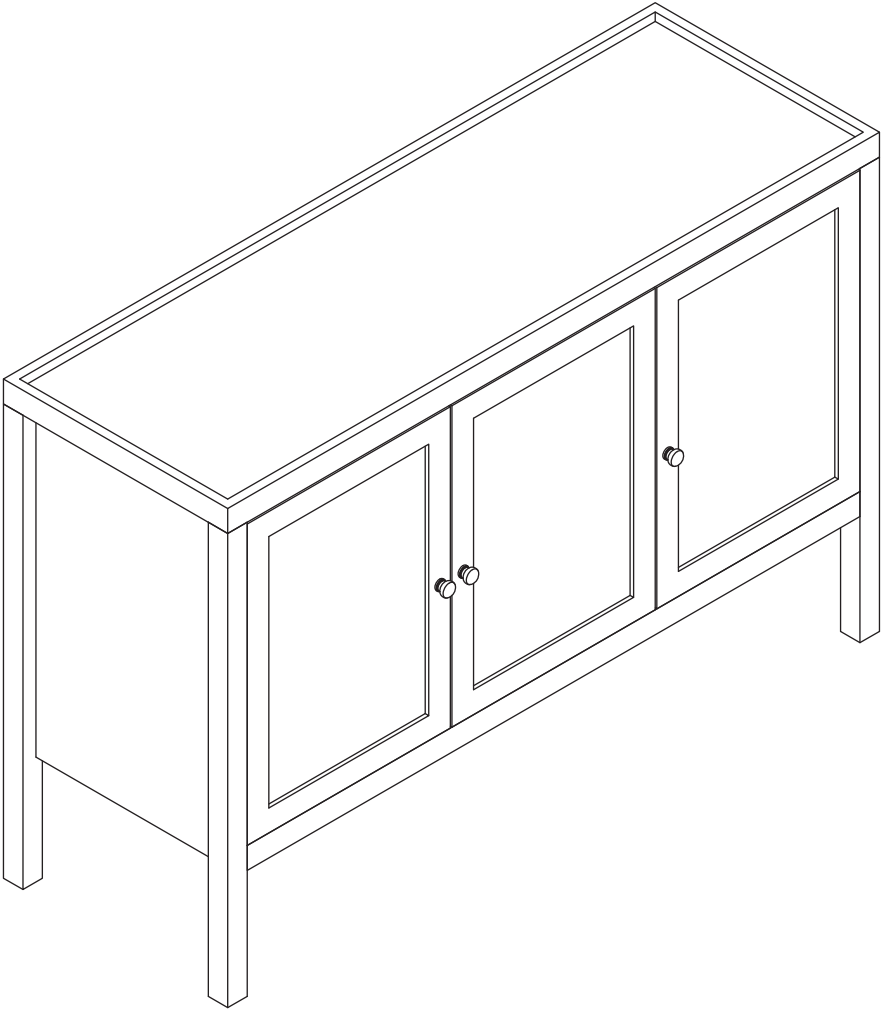


**Instruction manual**  
**3 DOOR SIDEBOARD**



# CONTENTS

---

Safety and care advice	<b>1</b>
Components	<b>2</b>
Assembly instructions	<b>4</b>
Copyright	<b>12</b>

# ⚠ SAFETY AND CARE ADVICE ⚠

---

## PLEASE READ THESE INSTRUCTIONS CAREFULLY AND KEEP FOR FUTURE REFERENCE

- **Warning:** Please lift with care.
- Check you have all the components and tools listed on pages 2 and 3.
- Remove all fittings from the plastic bags and separate them into their groups.
- Keep children and animals away from the work area, small parts could choke if swallowed.
- Make sure you have enough space to lay out the parts before starting.
- Do not stand or put weight on the product, this could cause damage.
- Assemble the item as close to its final position (in the same room) as possible.

- Assemble on a soft level surface to avoid damaging the unit or your floor (use opened out unit carton).



- We do not recommend the use of power drill/drivers **for inserting screws**, as this could damage the unit. Only use hand screwdrivers.
- Dispose of all packaging carefully and responsibly.

## CARE AND MAINTENANCE

---

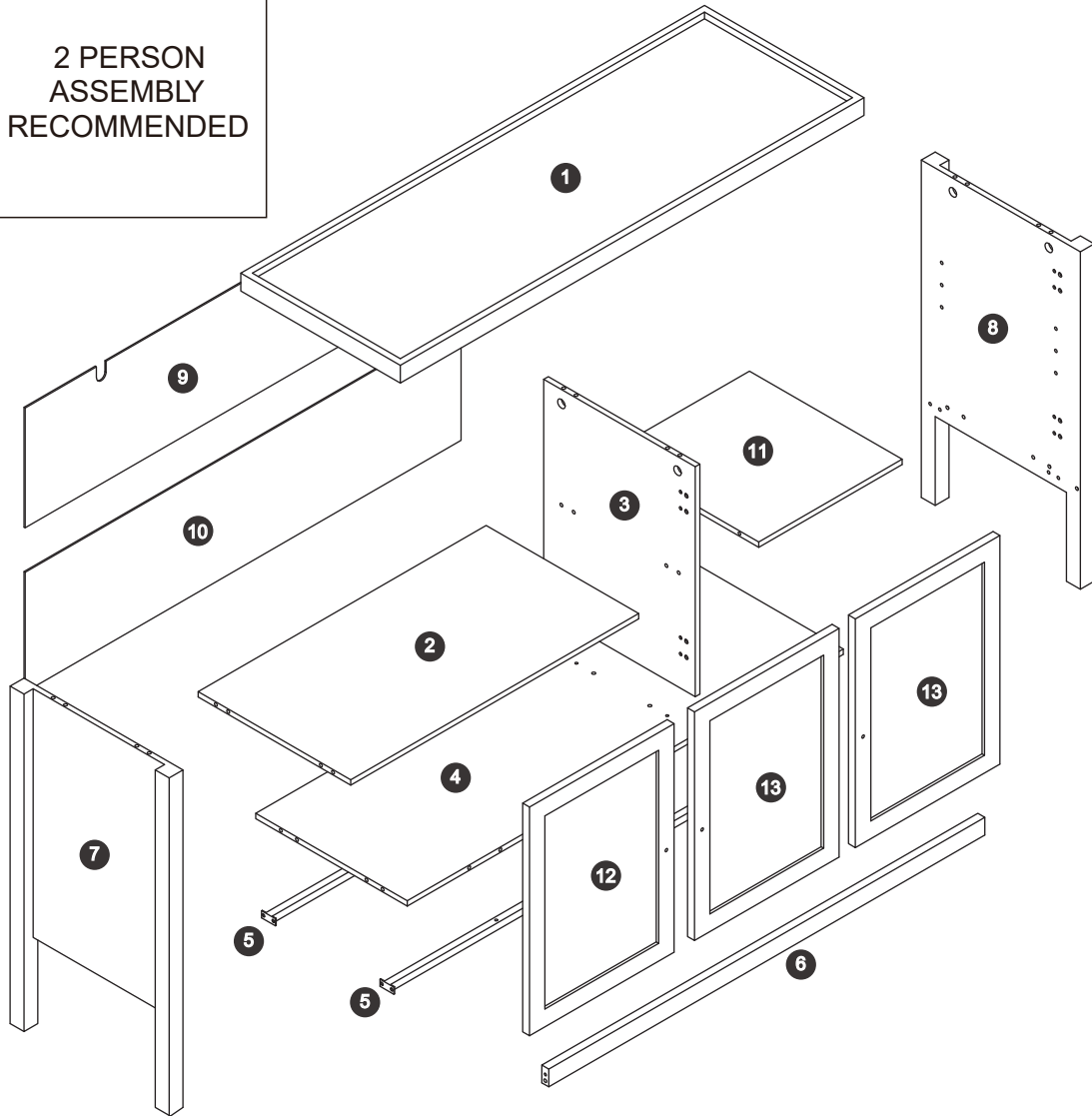
- Only clean using a damp cloth and mild detergent, do not use bleach or abrasive cleaners.
- From time to time check that there are no loose screws on this unit.

- This product should not be discarded with household waste. Take to your local authority waste disposal center.

**Note** *If required the next page can be cut out and used as reference throughout the assembly. Keep this page with these instructions for future reference.*

# COMPONENTS

Ensure the following components are in the box before proceeding with assembly:


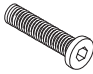
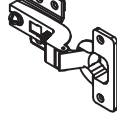






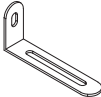



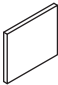




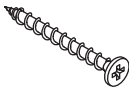



## PANEL LIST

1	Top Panel	x1	10	Back Panel	x1
2	Left Shelf Panel	x1	11	Right Shelf Panel	x1
3	Middle Side Panel	x1	12	Left Door	x1
4	Bottom Panel	x1	13	Right and Middle Door	x2
5	Bottom Metal Tube	x2			
6	Strip	x1			
7	Left Side Panel	x1			
8	Right Side Panel	x1			
9	Back Panel	x1			

# COMPONENTS — FITTINGS




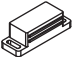

Please check you have all the fittings listed below:

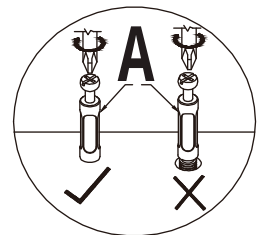
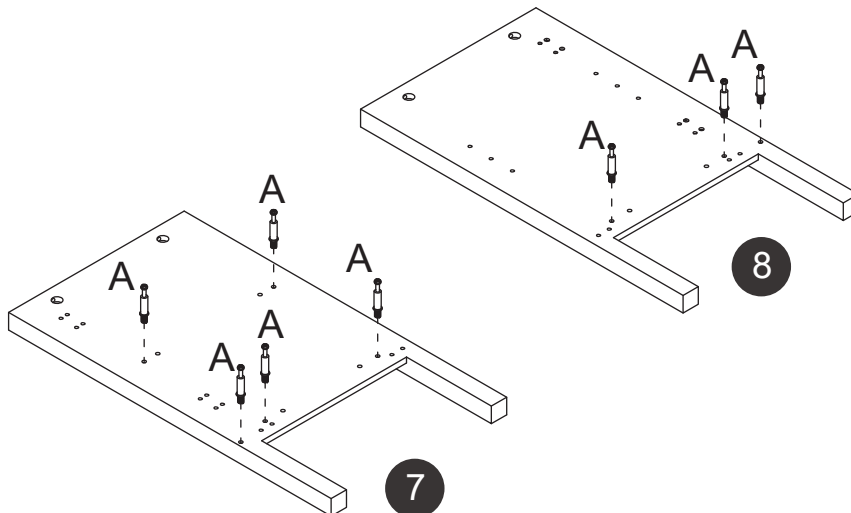
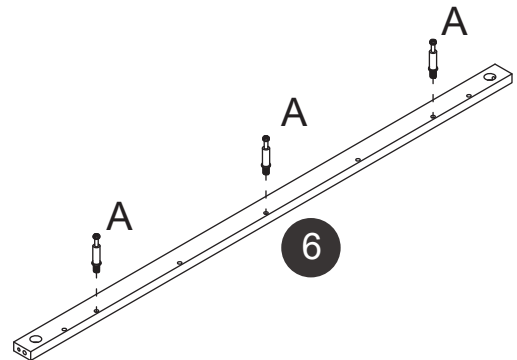
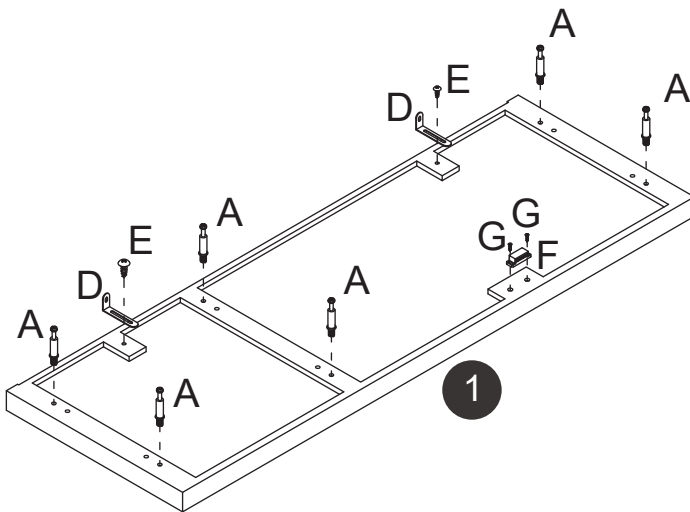
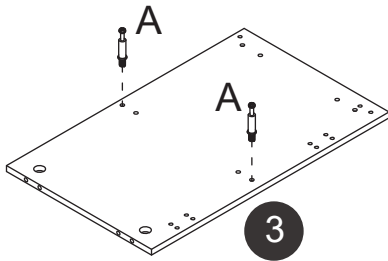
- |   |   |   |   |   |  |
|---|---|---|---|---|--|
| A |    | I |    | Q |   |
|   | Peg M6*35mm x19   |   | Bolt M6*25MM x6   |   | Hinge x6   |
| B |    | J |    | R |   |
|   | Lock M15*10mm x19   |   | Bolt M6*10MM x8   |   | Allen Key x1   |
| C |    | K |    | S |   |
|   | Dowel M6*30mm x22   |   | Screw M3*12mm x28   |   | Handle x3  |
| D |  | L |  | T |  |
|   | Bracket x2  |   | Shelf Support x4  |   | Catch Plate x2   |
| E |  | M |  |   |  |
|   | Screw M4*14mm x2  |   | Anti-slip Pads x4   |   |  |
| F |  | N |  |   |  |
|   | Magnetic Catch x1   |   | Handle Screw x3   |   |  |
| G |  | O |  |   |  |
|   | Screw M3*14mm x2  |   | Screw M3*12mm x2  |   |  |
| H |  | P |  |   |  |
|   | Screw M4*40mm x2  |   | Screw M4*14mm x36   |   |  |



# ASSEMBLY INSTRUCTIONS



Step 1

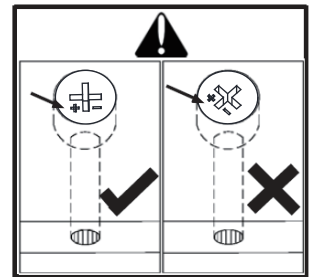
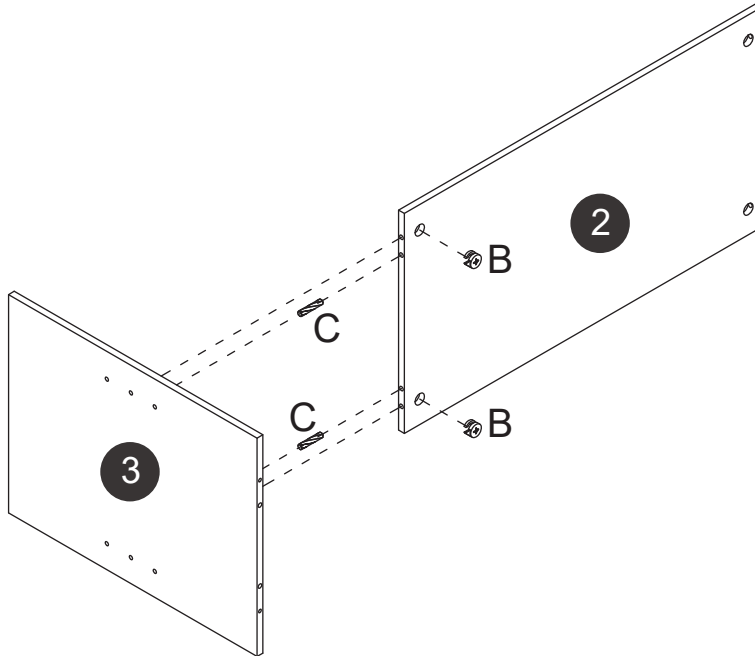
A		19
D		2
E		2
F		1
G		2





# ASSEMBLY INSTRUCTIONS

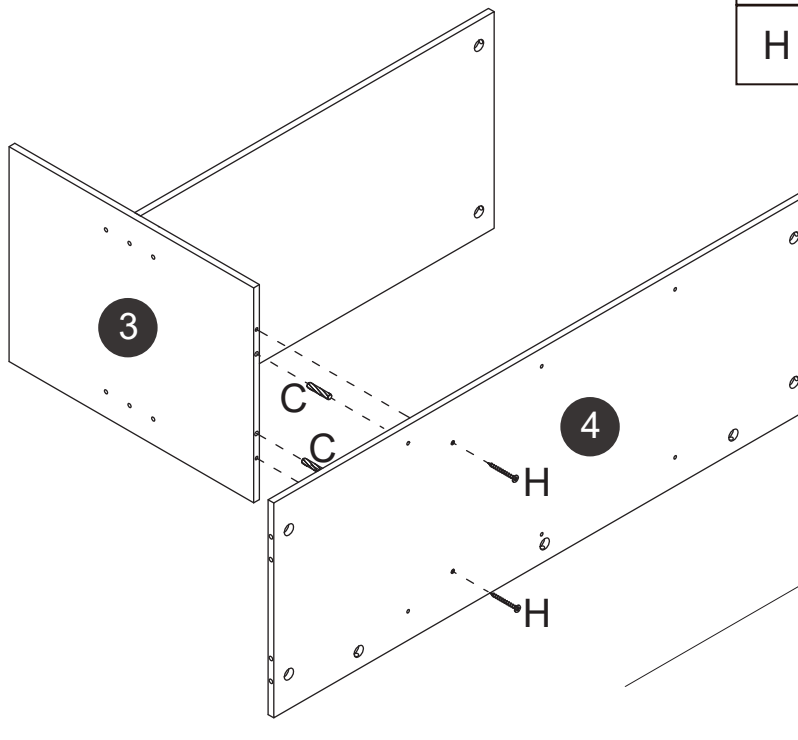
Step 2

B		2
C		2



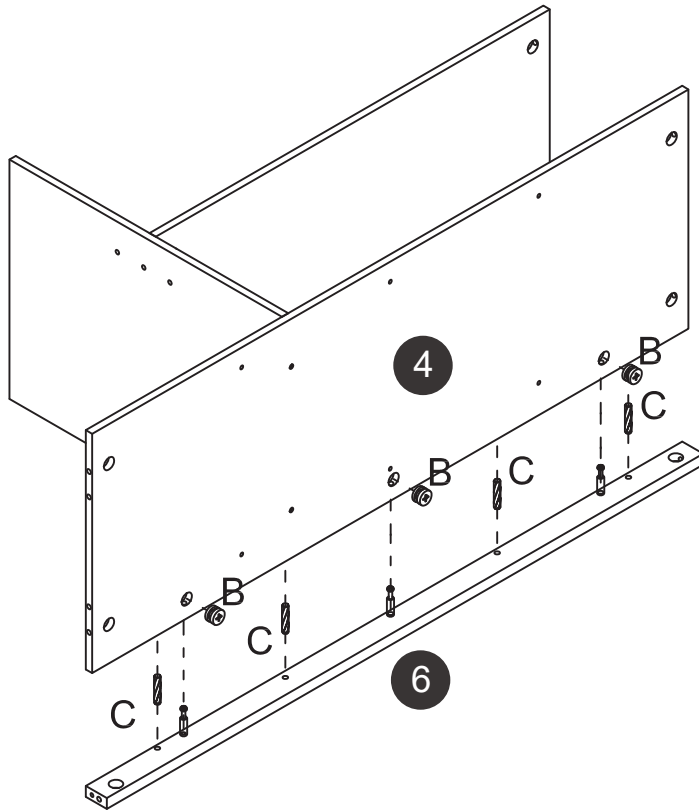
Step 3



C		2
H		2

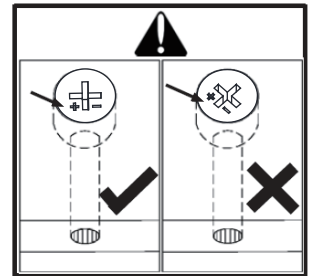


# ASSEMBLY INSTRUCTIONS

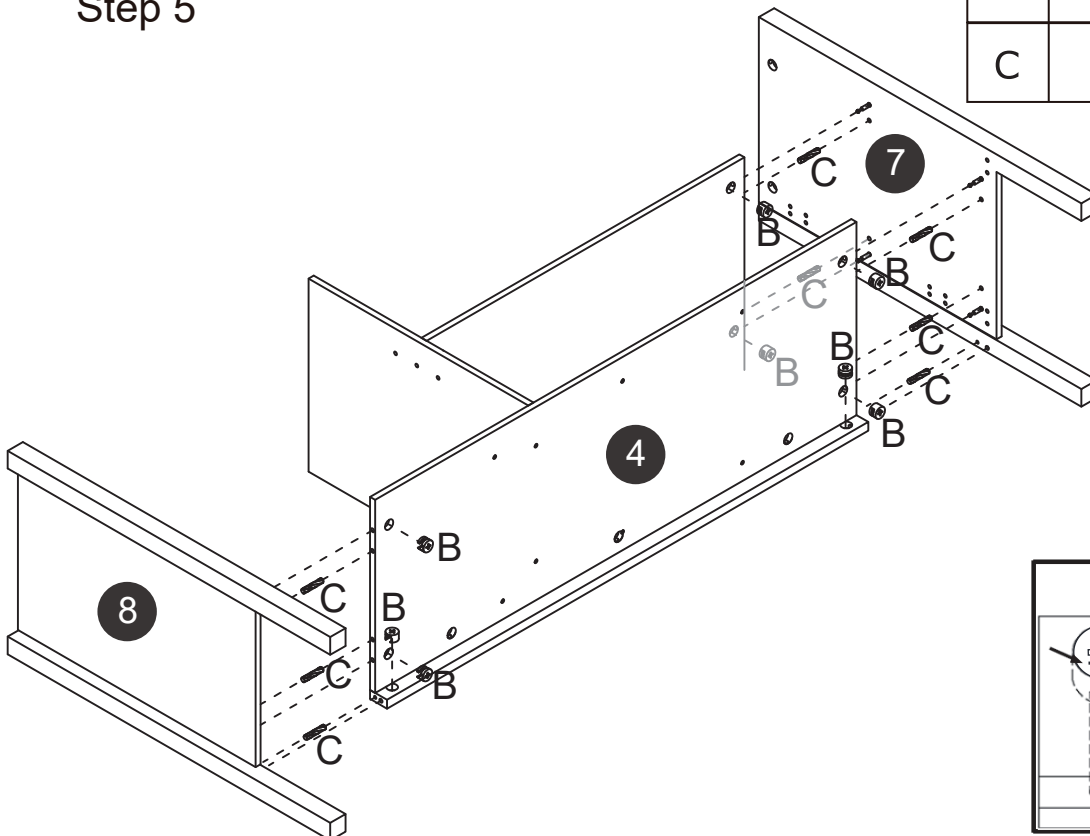
Step 4





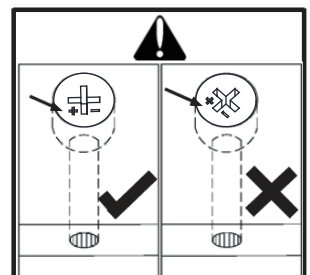
B		3
C		4



Step 5

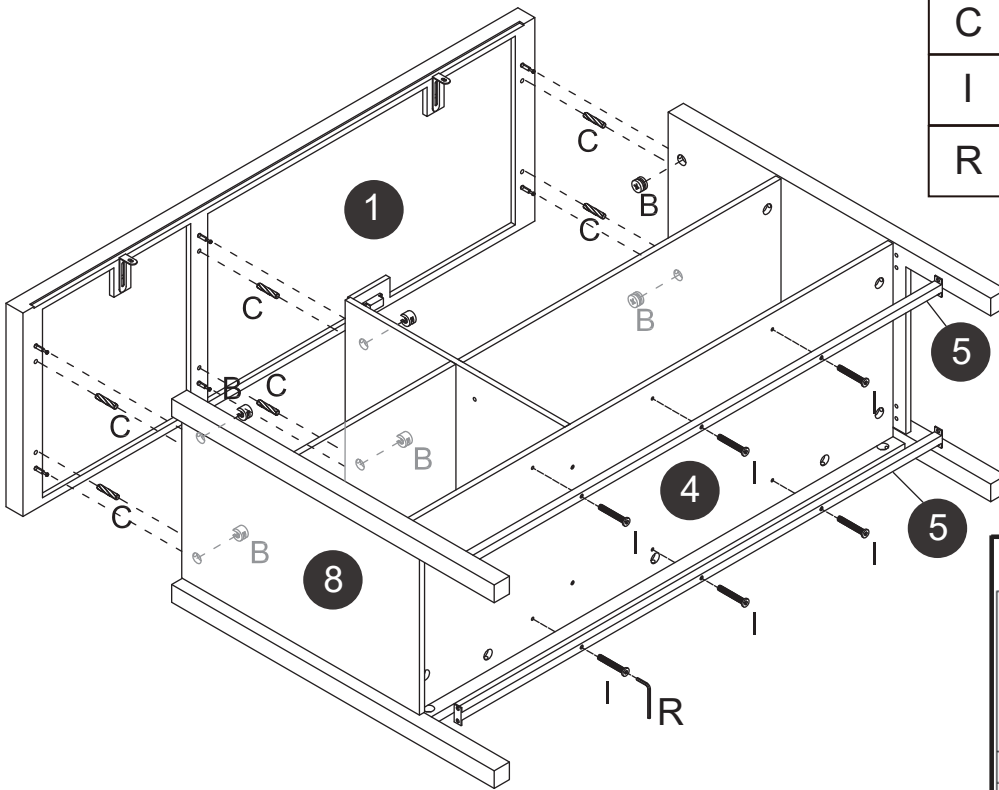


B		8
C		8

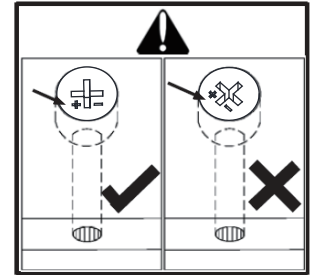


# ASSEMBLY INSTRUCTIONS

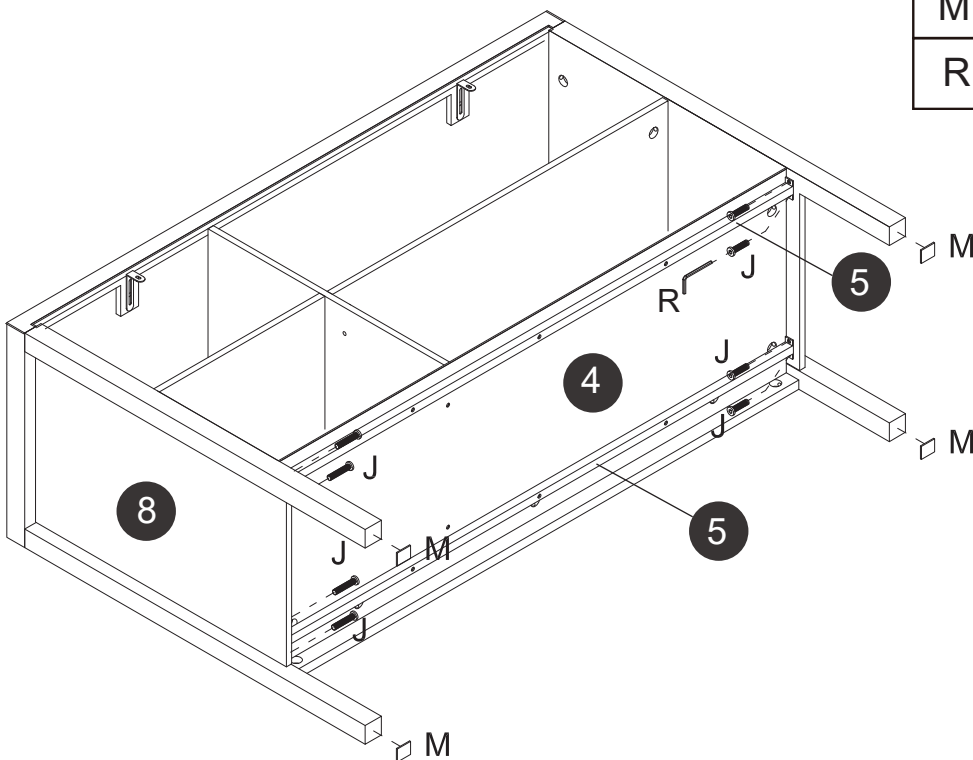
## Step 6



B		6
C		6
I		6
R		1



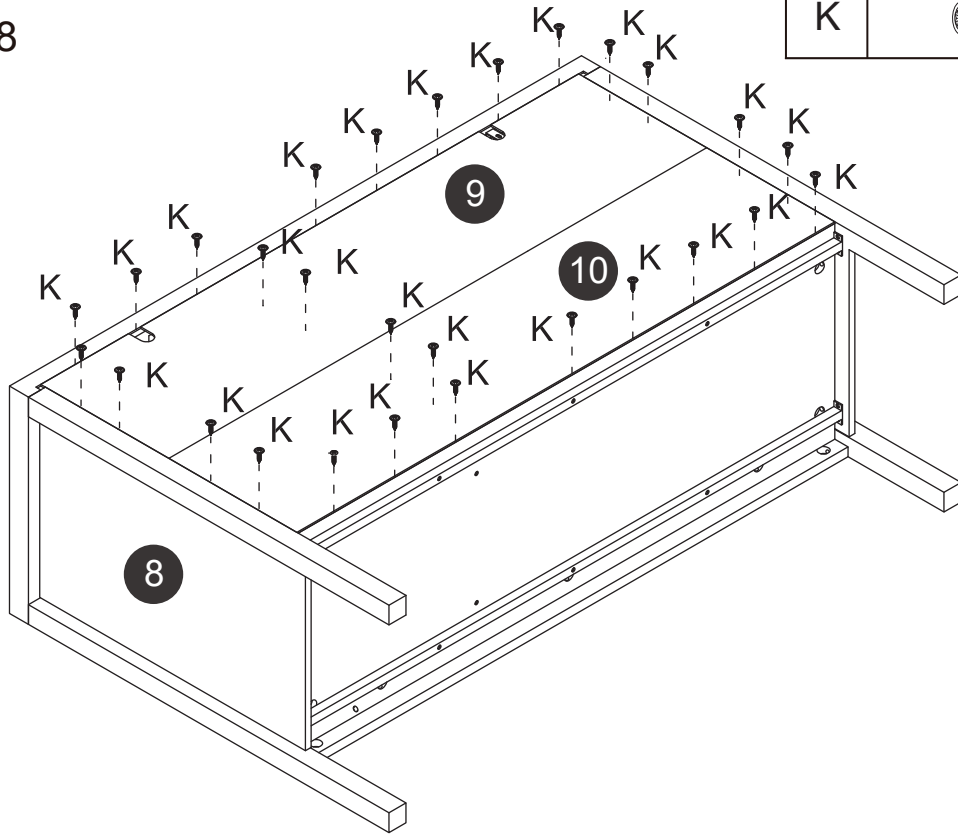
## Step 7




J		8
M		4
R		1

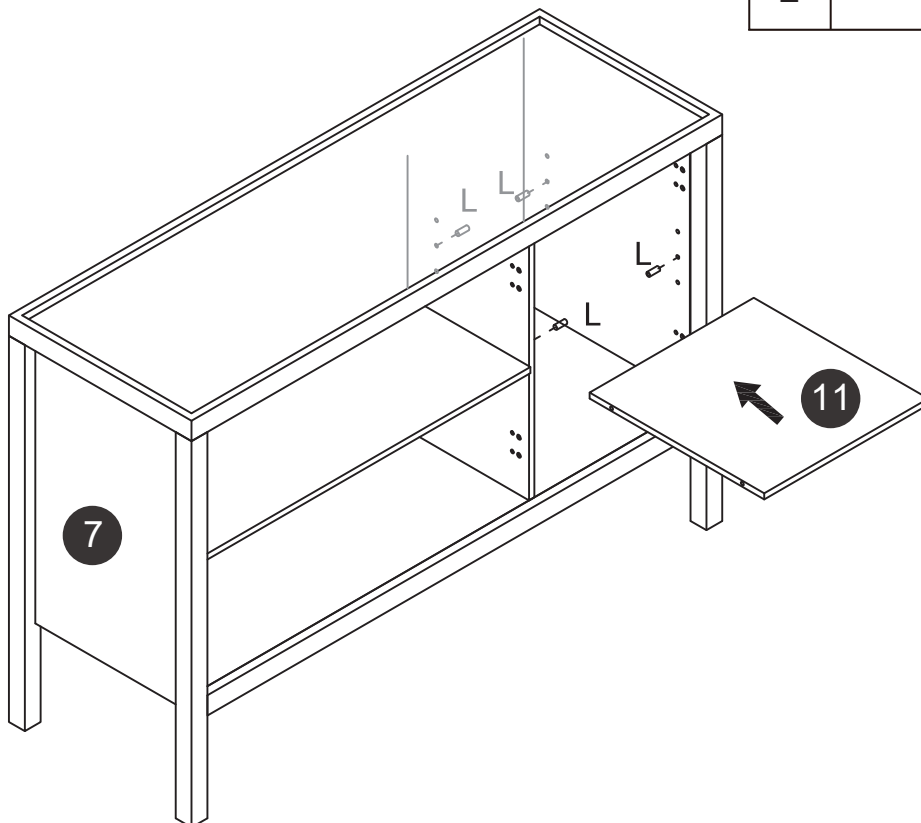
# ASSEMBLY INSTRUCTIONS


Step 8



K		28
---	---	----

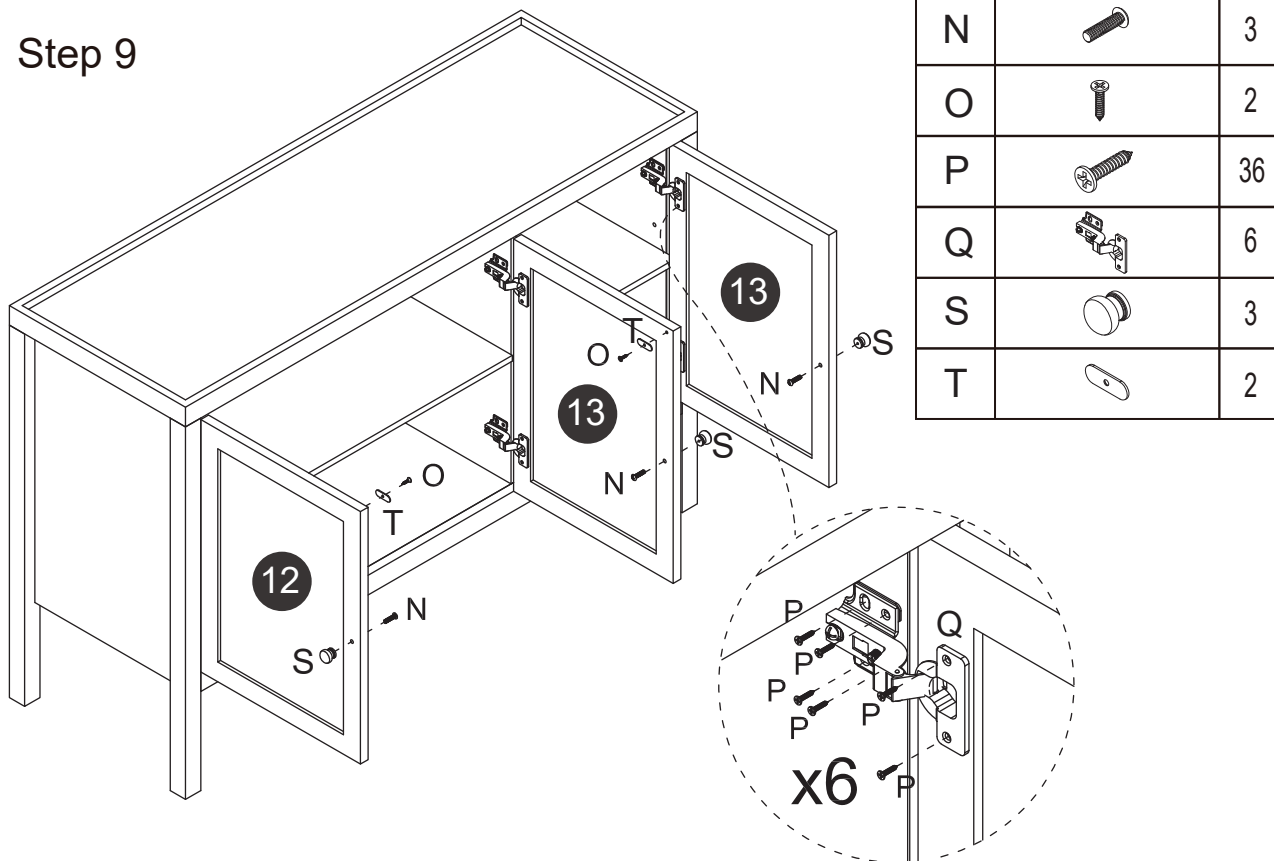
Step 9



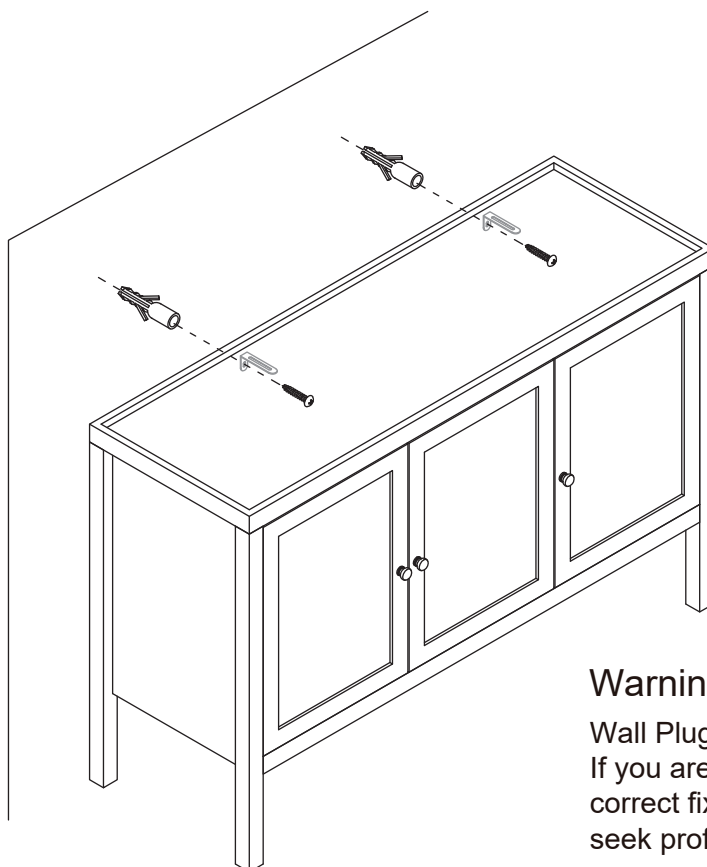
L		4
---	---	---

# ASSEMBLY INSTRUCTIONS

Step 9



Step 10



## Warning !

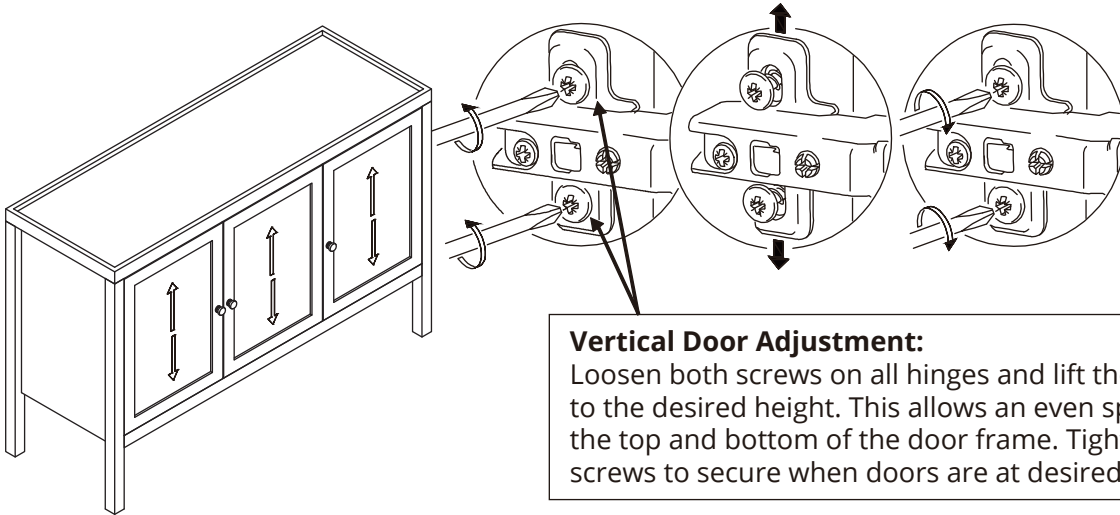
Wall Plug and screws are not provided.  
If you are in any doubt about the  
correct fixings for your wall,  
seek professional advice.

# DOOR ALIGNMENT



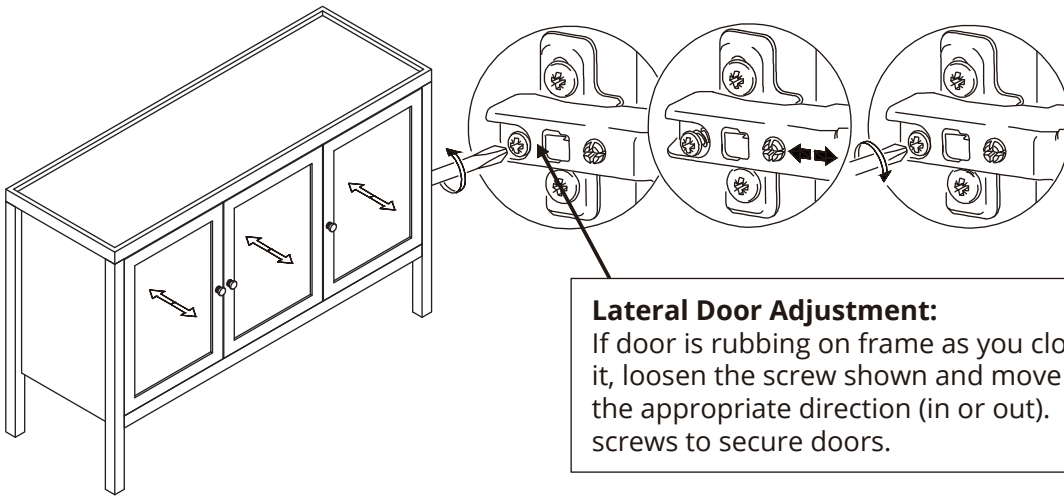
## Customer Attention:

Doors may need adjusting during and after assembly to align and control gap in between doors. This can be done by adjusting the appropriate screws. See below illustration.



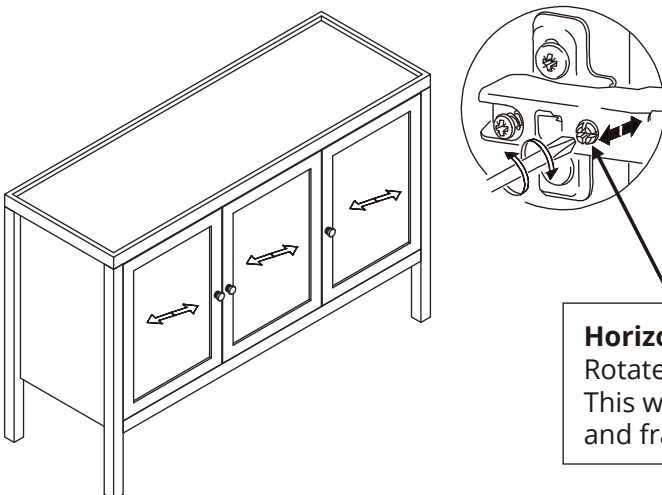
## Vertical Door Adjustment:

Loosen both screws on all hinges and lift the door to the desired height. This allows an even space at the top and bottom of the door frame. Tighten the screws to secure when doors are at desired height.



## Lateral Door Adjustment:

If door is rubbing on frame as you close or open it, loosen the screw shown and move the door in the appropriate direction (in or out). Tighten the screws to secure doors.



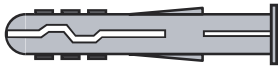
## Horizontal Door Adjustment:

Rotate screws clockwise or anticlockwise. This will produce an even gap between doors and frame.

# A Guide to - Wall Mounting & Fixings

## Important note:

If plastic wall plugs are supplied with your product:



- these are only suitable for use in masonry walls.

If you are in any doubt about the correct wall plugs for your wall, seek professional advice.

Failure of the product due to using incorrect fixings is the responsibility of the installer.



**Important:** When drilling into walls always check that there are no hidden wires or pipes etc.

Make sure that the screws and wall plugs being used are suitable for supporting your unit. Consult a qualified person if you are unsure.

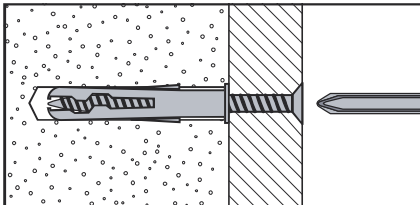
## Hints:

- 1: **General rule:** ⚠ Always use a larger screw and wall plug if you are not sure.
- 2: Ensure you use the recommended drill bit to match the wall plug and hole size.
- 3: Ensure you drill the hole horizontally, do not force the drill or enlarge the hole.
- 4: Take extra care when drilling high walls, ceilings and ceramic tiles. Ensure wall plugs are inserted beyond the thickness of the ceramic tiles to avoid the tiles splitting or cracking.
- 5: Ensure wall plugs are well fitted and are a tight fit in the drilled hole.

## Types of walls

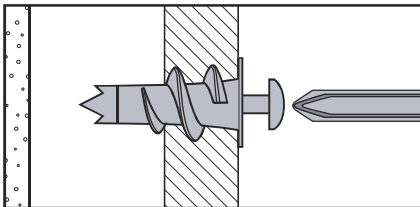
You can use one of the following types of wall plug if your walls are made of brick, breeze block, concrete, stone or wood.

### No.1 "General Purpose" wall plug



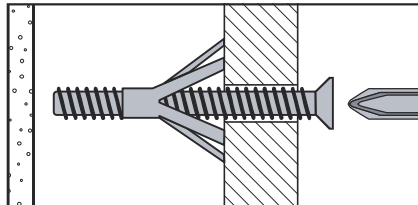
Generally aerated blocks should not be used to support heavy loads, use a specialist fitting in this case. For light loads, general purpose wall plugs can be used.

### No.2 "Plasterboard" wall plug



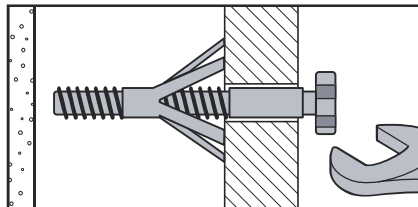
For use when attaching light loads on to plasterboard partitions.

### No.3 "Cavity Fixing" wall plug



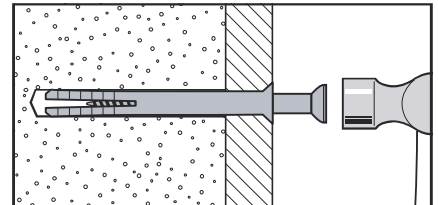
For use with plasterboard partitions or hollow wooden doors.

### No.4 "Cavity Fixing-Heavy Duty" wall plug



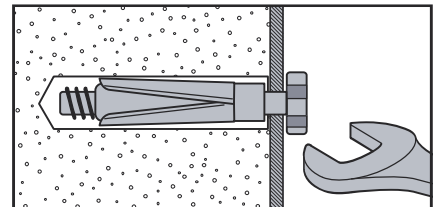
For use when fitting or supporting heavy loads such as shelving, wall cabinets and coat racks.

### No.5 "Hammer Fixing" wall plug



For use with walls stuck with plasterboard. The hammer fixing allows it to be fixed to the wall rather than the plasterboard. Always check the fixing is secure to the retaining wall.

### No.6 "Shield Anchor" wall plug Heavy loads



For use with heavier loads such as TV & HiFi speakers and satellite dishes etc.



## Care & Maintenance

**Safety:** Always check the fitting and location to ensure your safety in and around the home.

**Fitting:** From time to time check the fitting to ensure the wall plugs or screws do not become loose.

## **IF YOU FIND A DEFECTIVE PART**

---

We fully stock all parts and components. Any defective part can be quickly replaced. Take note of the defective part number in manual and we will arrange a replacement.

## **COPYRIGHT**

---

All material in this instruction manual is copyrighted

Any unauthorised use may violate worldwide copyright, trademark and other laws.