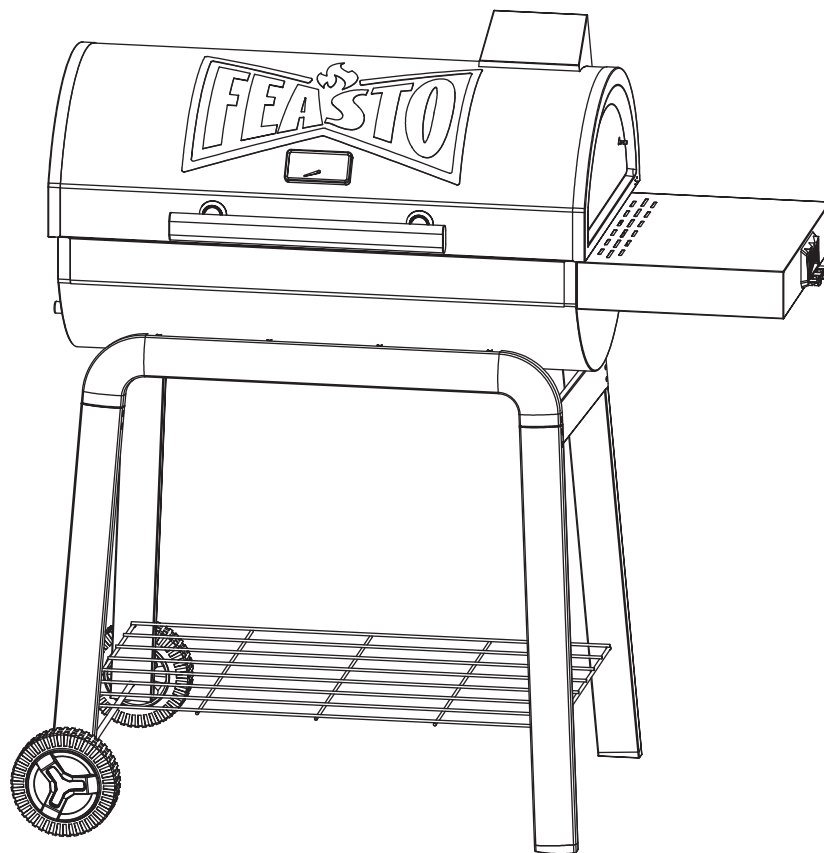




OWNER'S MANUAL MANUAL DEL USUARIO MANUEL DE L'UTILISATEUR

30 IN Charcoal Grill with Side Table Parrilla de carbón de 30 pulgadas con mesa auxiliar Barbecue au charbon de bois de 30 po avec table d'appoint

Model | Modelo | Modèle: **CG3019**



**FOR YOUR SAFETY!
¡PARA SU SEGURIDAD!
POUR VOTRE SÉCURITÉ!**

Use outdoors only! Read the instructions before assembling and using the appliance.

¡Solo usa al aire libre! Lea las instrucciones antes de montar y utilizar el aparato.

Utilisez uniquement à l'extérieur! Lisez les instructions avant d'assembler et d'utiliser l'appareil.

CONTACT US FIRST!

**¡PÓNGASE EN CONTACTO CON NOSOTROS PRIMERO!
CONTACTEZ-NOUS D'ABORD!**

If you have any questions that are not addressed, please contact us first.

Si tiene alguna pregunta que no se aborde en este Manual del Usuario, póngase en contacto con nosotros primero.

Si vous avez des questions qui ne sont pas traitées dans ce manuel de l'utilisateur, contactez-nous d'abord.

Customer Service / Servicio al Cliente / Service de Clientèle



1-470-589-8732



service@feastooutdoors.com

www.feastooutdoors.com



READ MANUAL BEFORE USE

TABLE OF CONTENTS

For Your Safety	1-2
Grilling Preparation	3
Grilling Operation	4
Smoking Operation	5
Cleaning and Maintenance	5
Grilling Recipes	6
Smoking Recipes	7
Limited Warranty	8
Parts Diagram	25
Parts and Hardware List	26
Preparation	27
Assembly	28-36

SAFETY SYMBOLS

The symbols shown below explain what each heading means. Read and follow all of the messages found throughout the manual.



DANGER

Indicates an imminently hazardous situation which, if not avoided, will result in death or serious injury.



WARNING

Indicates a potentially hazardous situation which, if not avoided, could result in death or serious injury.



CAUTION

Indicates a potentially hazardous situation or unsafe practice which, if not avoided, may result in minor or moderate injury.



DANGER

1. Do not use indoors!
2. Do not use spirit or petrol for lighting or relighting!
3. Live coals and grill components can get extremely hot during use and can start fires, do not move the grill when in use!
4. Set up your grill at least 3 feet (91 cm) away from any wall or surface. Maintain at least 10 feet (3 m) clearance to objects that can catch fire or sources of ignition such as gas cans, LP cylinders, vehicle fuel cylinders etc.
5. Do not use this grill on or near combustible surfaces or structures such as wood decks, dry leaves or grass, vinyl or wood siding, etc.
6. It is imperative that you have a fire extinguisher and first-aid kit handy in case of an accident or fire.
7. Place the grill on an even, horizontal, secure, heat-resistant, and clean surface.
8. Ignite the charcoal only at a sheltered location.
9. Fill the grill with a max. 2.6 lb. of charcoal for the chamber.
10. Some foods produce flammable fats and juices. Clean the grill regularly preferably after each use.
11. Only tip out the ash once the charcoal has completely burned out and cooled down.



WARNING

CALIFORNIA PROPOSITION 65

1. Combustion byproducts produced when using this product contain chemicals known to the state of California to cause cancer, birth defects, or other reproductive harm.
2. This product can expose you to chemicals including lead, which is known to the State of California to cause cancer.

For more information, go to: www.P65Warnings.ca.gov
Wash your hands after handling this product.

KEEP THIS MANUAL FOR FUTURE REFERENCE

This Owner's Manual contains important information necessary for the proper assembly and safe use of the appliance. Read and follow all warnings and instructions before assembling and using the appliance. Follow all warnings and instructions when using the appliance. Keep this Owner's Manual for future reference. Contact 1-470-589-8732 should you need assembly assistance or have questions.

! DANGER !

RISK OF BURNING AND ACCIDENTS

1. This device is not intended for use by persons (including children) with limited physical, sensory, or mental capacities, or lacking experience, or knowledge. Such persons must be informed about the dangers of using the appliance and supervised by a person responsible for their safety.
2. Any modifications to the product may lead to large safety risk and are forbidden. Do not undertake any unauthorized modifications. In case of damage, repair, or other problems with the grill, contact FEASTO.
3. Keep children and pets away from the appliance. Any direct contact can result in serious burns **IN USE**.
4. Always wear oven mitts or BBQ gloves when grilling.
5. Use only long-handled utensils with heat-resistant grips.
6. Do not wear any clothing with wide sleeves.
7. Let the grill cool down completely before cleaning and/or placing in storage.

! DANGER !

CARBON MONOXIDE HAZARD

When burning charcoals, barbecue briquettes, etc., carbon monoxide is formed. This gas is odorless and can be fatal in closed spaces!

1. NEVER burn charcoal inside houses, vehicles, tents or other enclosed space.
2. Use the grill **OUTDOORS ONLY**.

! DANGER !

Do not use any decolorants or thinners to remove stains. These are harmful to health and must not come into contact with food.

! DANGER !

INJURY TO CHILDREN

While playing, children can become caught in the packaging film and choke.

- Do not let children play with the packaging film.
- Make sure that children do not put any small assembly parts into their mouths. They could swallow the parts and choke on them.

! DANGER !

RISK OF INJURY

1. Some parts may contain sharp edges!
2. Be careful when touching the grill and its components as there is risk of accidents and/or injury during assembly and use. Wear protective gloves if necessary.
3. Do not set up the grill near entryways or where a lot of people move around.
4. Follow all the assembly instructions. First, read the assembly instructions completely. Allow yourself enough time for assembly and find an even working space of two to three square meters. Small parts are preassembled.
5. Always exercise extreme caution while grilling. If distracted, you can lose control of the appliance.
6. Always be attentive and aware of what you are doing. Do not use the grill if you are not focused, tired, or under the influence of drugs, alcohol, or medication. Just one moment of carelessness during use of the product can lead to serious injuries.

! DANGER !

RISK OF DAMAGE

1. During use, the screws may loosen slowly and impair the grill's stability. Check that the screws are well-tightened prior to each use. If necessary, tighten all the screws again to ensure the grill is standing securely.
2. Do not use any strong or grinding solvents or abrasive ZJA pads, as these can damage the surface and leave behind scrape marks.

GRILLING PREPARATION

• **UNPACK GRILL**

Unpack the grill and dispose of all packaging materials. Keep the packaging materials out of the reach of children and dispose of them according to regulations after assembly of the grill. Before use, place the grill on an even, sturdy surface outdoors.

• **PRE-FIRING**

Prior to first use, wash the cooking grates and the warming rack with warm soapy water. Before your first cooking with your grill, the following steps should be closely followed to both protect the interior and exterior finish and season the interior steel. Failure to properly follow these steps may impart unnatural flavors to your first foods, damage the finish, and result in affecting the overall durability of your grill.

1. Lightly coat interior surfaces including grills and cooking grates with vegetable cooking oil. This will extend the life of the finish, much like waxing a car.
2. Build a small fire on the charcoal pan, make sure not to lay coals against the walls.
3. Sustain burning for about two hours with lid closed and the damper to 1/4 of the way open. Allow the grill to cool down properly.
4. Your grill will then be ready for use.

WARNING

Grill will drip oil during this process and for several uses afterwards. This is normal. NEVER EXCEED 400 ° F (204 ° C) AS THIS WILL DAMAGE THE FINISH AND CONTRIBUTE TO RUST. PAINT IS NOT UNDER WARRANTY AND WILL REQUIRE TOUCH-UP. THE PRODUCT IS NOT WARRANTED AGAINST RUST.

TYPES OF CHARCOAL

You can burn either charcoal briquettes or natural lump charcoal, which have different attributes. Charcoal briquettes typically provide longer cooking time and are usually less expensive while lump charcoal burns hotter and produces less ash.

TIPS FOR USING WOOD CHIPS

A lot of smoke is produced when using wood chips. Smoke can escape through seams and turn the inside of the grill black. This is normal. Wood chips can be used to produce smoke and create the smoke flavor. Never use more than 1 box of wood chips at a time. You can put dry or pre-soaked wood chips in smoker boxes or foil packets on the cooking grates. Dry chips burn faster and produce more intense smoke. Chips pre-soaked in water (for approximately 30 minutes) burn slower and produce a less intense smoke. Check wood chip box periodically to see if wood has burned down. Add more chips as required.

SMOKING WITH WOOD CHIPS / WOOD CHUNKS

For a more robust smoke flavor while using charcoal briquettes or lump charcoal, try adding wood chips or several wood chunks to the fire. Wood chunks are available in a variety of natural flavors and can be used alone or in addition to charcoal. As a rule, any hardwood that bears a fruit or nut is suitable for cooking. However, different woods have different tastes. Experiment with different woods to determine your personal favorite, and always use well-seasoned wood. Green or fresh-cut wood can turn food black and bitter.

BUILDING THE FIRE

- Chicken** – Alder, Apple, Hickory, Mesquite, Sassafras, Grapevine
- Beef** – Hickory, Mesquite, Oak, Grapevine
- Pork** – Fruitwoods, Hickory, Oak, Sassafras
- Lamb** – Fruitwoods, Mesquite
- Veal** – Fruitwoods, Grapevine
- Seafood** – Alder, Mesquite, Sassafras, Grapevine
- Vegetables** – Mesquite

Lighting Your Grill

PLEASE NOTE: NO RETURNS ON USED GRILLS

1. Open the lid and remove the cooking grates.
2. To start a charcoal fire, stack 2.6 lb. charcoal briquettes into a pyramid-shaped pile and saturate with lighter fluid.

DANGER

Do not use gasoline, kerosene, or alcohol for lighting charcoal. Use of any of these or similar products can cause an explosion possibly leading to severe bodily injury.

3. Light the coals in several places.
 4. After the briquettes ash over and produce a red glow, spread them evenly across the charcoal pan. Please use a suitable heat-resistant tool with a long, heat-resistant handle when you do this.
 5. Put the cooking grates in place and adjust the charcoal pan to the desired height by using the lifting handle/lever and start cooking.
 6. If the charcoal is not burning evenly, please use long-handled tongs to move coals for even heat.
 7. Leave the lid open or closed based on the type of BBQ meat.
- Please close the lid when longer cooking time is needed. The thermometer located on the lid shows the temperature to ensure it is not too high for a particular BBQ meat.

WARNING

1. Chimney starters, electric starters, or other types of fire starters may be used instead of lighter fluid to light fire but use only according to manufacturer's instructions. Never use instant light charcoal or charcoal lighter fluid with any other starting methods.
2. Allow enough time for grilling to heat up before cooking. You can't cook properly when the grill is cold, and you can't build a fire properly when you are busy preparing food. Once the fire is burning well, it is easy to keep it going with a little attention.

TEMPERATURE ADJUSTING

Open the damper on side panel to allow more fresh air into the grill, thus ensuring a higher internal cooking temperature, and close the damper as needed to decrease the airflow for a lower cooking temperature. You may spread the coals out a bit more to make the fire less intense if the temperature is too high, raise or lower the adjustable charcoal pan to further control the cooking temperature as needed.

WARNING

Always use a flame-retardant insulated grill mitt when adjusting the damper or the charcoal pan.

ADDING CHARCOALS WHILE GRILLING

1. Use the lifting handles to lower the charcoal pan to its lowest setting.
2. Open the charcoal pan access door using a flame-retardant insulated grill mitt. (Handle will be extremely hot.) Please take out all the food and put on BBQ gloves, move the cooking grate to add charcoal if the grill doesn't have a device for adding charcoal. Make sure to move the cooking grate back into position after the procedure.
3. Use flame-retardant insulated grill mitts and long-handled tongs to stoke coals, to make the ash fall through the slots in the charcoal pan or the slide below.
4. Use flame-retardant insulated grill mitts and long-handled tongs to add charcoal to the pan as needed.
5. Raise the charcoal pan to the desired level.

WARNING

1. Use extreme caution to avoid injury when adding charcoals.
2. Do not use lighter fluid or instant light charcoal when adding additional charcoal to an existing fire. This is dangerous and can cause injury. It will also leave a lighter fluid aftertaste on your food. Only add regular charcoal or wood chunks to an existing fire.



To light the barbecue by cooking indirectly or smoking foods at low temperature.

1. Open the lid and remove the cooking grates.
2. To start a charcoal fire, stack 2.6 lb. of charcoal in a pyramid-shaped pile and saturate with lighter fluid.
3. Light coals in several places.
4. After the briquettes ash over and produce a red glow, place hot charcoals on the cooking grates in the offset smoker if you have one. Place hot charcoals on the middle of the cooking grates. To do this, use a suitable fireproof tool with a long, heat-resistant handle.
5. Place water/drip pan on the right side of the cooking grates in the offset smoker if have one.
6. Place the cooking grates in low position.
7. Add water-soaked hardwood chips for a smoke flavor.
8. Put the cooking grates in place.
9. Close the lid and control heat with the dampers and side door.

TIPS FOR INDIRECT SMOKING

Pans are not included, and a disposable bread pan is recommended. Please purchase it separately.

1. If you want to sear certain foods before smoking, please place meat directly above charcoals on the cooking grates with lid open and charcoal pan in high (hot) position for several minutes.
 2. Add flavor-soaked wood chips to the fire and add 1-part marinade, beer, or wine with 3 parts water into the drip pan.
 3. Open the smoking chamber will extend cooking time.
 4. Insert the thermometer into the thickest part not touching the bone and allow five minutes to register.
 5. Check the water level when cooking for more than 4 hours or when you can't hear the water simmering.
 6. Add water by turning the meat over and pouring water through the grill into the water pan.
- IF THE SMOKE IS WHITE, THE FIRE IS PERFECT.
IF THE SMOKE IS BLACK, YOU NEED MORE AIRFLOW.

Your new grill has been designed and manufactured to high quality standards. It will provide you with many years of fun grilling time, however, it requires a minimal amount of maintenance.

ASH CLEANING & REGULAR MAINTENANCE

After the fire is completely extinguished, you should wait several hours before emptying the ashes to ensure they are not hot, or else there will be risk of burns.

1. Knock any ashes that did not fall into the ash tray from the charcoal pan. (If there are pieces of partially burned charcoal on the charcoal pan, you can save them for use the next time. They are still good).
2. Tap the sides of the chamber to loosen any ash that is on the sides.
3. Lift out the charcoal pan and empty out the cold ash. It is particularly important that you remove the ash before moisture combines with the cold ash. Ash collects moisture, which can cause premature rusting and decay from the inside of the ash collecting tray. Thus, over years the ash collecting tray can get rusted and damaged.
4. Give the ash tray a few firm taps to loosen any ash that may be stuck.
5. Place the ashes in a metal container and fill with water to ensure there are no lit coals, then you can dispose of the ashes.
6. Let the charcoal burn out completely after grilling. This eases the cleaning effort by burning away excess fat and BBQ residue.
7. Clean the grill regularly and optimally after every use.
8. Remove the cooking grates and clean them thoroughly with soapy water. Then dry them off thoroughly.
9. Use a wet sponge to remove loose residue from the grill.
10. Use a soft, clean cloth for drying. Do not scratch the surfaces when wipe them dry.
11. Clean the internal and external surfaces with warm soapy water.
12. Tighten all screws before every use to ensure your grill is stable at all times.
13. Protect your grill against weather.

Since it is manufactured from steel it will gradually rust. Clean possible rust spots and repair them with fireproof paint. NEVER PAINT THE INTERIOR OF THE GRILL.

GRILL STORAGE

1. Clean your grill before storage. Store at a cool dry place.
2. The grill should always be stored where it is protected from moisture.

NOTE: DO NOT leave charcoal in your grill when you are not using it. Charcoal and ashes left inside the ash tray may reduce the durability of your grill.

3. A cover is highly recommended to protect your grill. Choose from a variety of grill covers offered by the manufacturers.

Cooking times for beef and lamb use the USDA's definition of medium doneness, unless otherwise noted. Factors such as altitude, wind, and outside temperature can affect cooking times.

Food Safety Tips

- Do not defrost meat, fish, or poultry at room temperature. Defrost in the refrigerator.
- Wash your hands thoroughly with hot, soapy water before starting any meal preparation and after handling fresh meat, fish, and poultry.
- Never place cooked food on the same plate raw food was on.
- Wash all plates and cooking utensils that have come into contact with raw meats or fish with hot, soapy water and rinse.

STEAK (& ALL MEATS): Cook food on the charcoal side of the unit, directly above coals/heat. To grill meats, raise fire grate to high position (hot) and sear for one minute on each side with the lid open to seal in flavor and juices. Then lower the fire grate to the medium position with lid closed and cook to desired degree. Control heat with dual dampers and adjustable fire grate. Tip: Place grilled meat back in the marinade for several minutes before serving - it will be tastier and juicier. CAUTION: Boil extra marinade first to kill bacteria remaining from the raw meat.

MARINATED FLANK STEAK:

Mix marinade ingredients in a nonmetal dish. Let steak stand in marinade for no less than 4 hours in the refrigerator. Brown each side for 5 minutes, but center should remain rare. Cut steak diagonally across the grain into thin slices before serving. Grill with fire grate in high(hot) position with lid open or closed.

Meat Marinade

1/2 cup vegetable or olive oil, 1/3 cup soy sauce, 1/4 cup red wine vinegar, 2 tbsp lemon juice, 1 tsp dry mustard, 1 minced clove garlic, 1 small minced onion, 1/4 tsp pepper

QUAIL OR DOVES:

Cover the birds with good amount of seasoning and marinate overnight. Pour remaining dressing and cover with Texas Pete Hot Sauce for 6 hours. Wrap birds in thick bacon secured by a toothpick. Place on grill. Keep turning until bacon is black. Grill for 20 minutes. Sear with lid open and fire grate in high (hot) position for 1 minute on each side before lowering the grate and closing the lid. To smoke the birds, place them in the center of the grates with fire in both ends of the fire box.

HOT DOGS:

Grill with lid up and cooking grates in high (hot) position for approximately 6 minutes. Turn every few minutes.

SWEET CORN IN HUSKS:

Trim excess silk from end and soak in cold salted water 1 hour before grilling. Grill for 25 minutes – turning several times.

KABOBS:

Alternate any combination of meat, onions, tomatoes, green peppers, mushrooms, zucchini, circular slice of corn-on-the-cob, or pineapple on skewers. Meat could consist of shrimp, scallops, lobster, chicken, sausage, pork, beef, etc. Marinate the meat in refrigerator for several hours. Grill each side approximately 7 minutes, turning occasionally while basting with marinade. Leave a small amount of room between pieces in order to cook faster. Grill with lid up and the cooking grates in the lowest position.

Kabob Marinade:

1 cup soy sauce, 1/2 cup brown sugar, 1/2 cup vinegar, 1/2 cup pineapple juice, 2 tsp salt, 1/2 tsp garlic powder, Mix all ingredients in a saucepan and bring to boil. Allow marinade to cool before marinating your meat in it. Marinate beef in the mixture a minimum of 4 hours.

HAMBURGERS:

See meat marinade on prior pages. You may also marinate by allowing to stand in marinade for 1 or 2 hours at room temperature before cooking or let it stand in a covered dish in the refrigerator for up to 24 hours. Bring to room temperature before cooking. Mix in chopped onions, green peppers, salt, sear 3/4 inch patties on each side, with cooking grates in high position for a few minutes. Lower fire grate to medium position and grill with lid down to avoid flare-ups. Cook each side for 3 to 7 minutes according to desired degree. Cook ground meat to 150 ° F internal temperature or until juice runs clear (free of blood) to prevent E-coli infections. Burgers can be basted with marinade when turning and/or other ingredients can be mixed in with the ground beef such as chili sauce or powder.

SHRIMP (Peeled) & CRAYFISH:

Place on skewers. Coat with melted butter and garlic salt. Grill 4 minutes on each side or until pink. Cocktail sauce optional.

BAKED POTATOES:

Rub with butter and wrap in foil and cook on grill with lid down for 50 minutes. Turn after 25 minutes (no need to turn if smoked). Squeeze to check if it is cooked.

SMOKED TURKEY:

Empty cavity, rinse and pat dry with paper towel. Tuck wing tips under the back and tie the legs together. Place in center of cooking grate directly above the foil drip pan of water. Smoke for 12 minutes per pound. Allow several extra minutes per pound if stuffed, to allow for expansion. Use a meat thermometer for best results (190° F internal).

SMOKED BAKED HAM:

You can smoke fully cooked canned ham or smoked and cured whole ham or shank or butt portion. Glaze: 1 cup of light brown sugar, firmly packed 1/2 cup orange juice, 1/2 cup honey, Mix sugar, juice, and honey. Let the glaze sit for at least 4 hours. Place fire grate in the lowest position and a drip pan under the meat. Remove rind and score fat diagonally to create a diamond pattern. Insert a whole clove into the center of every diamond. Place ham with fat side up in the center of the cooking grid directly above drip pan. Close lid. Cooking for about 9 minutes per pound is suggested for fully cooked ham. Smoked or cured ham, which is not fully cooked, should be cooked to an internal temperature of 160° F. Baste with ham glaze 3 or 4 times during last 30 minutes of cooking time. Garnish with pineapple rings about 15 minutes before end of cooking time.

SMOKED HOT DOGS STUFFED:

Slit hot dogs lengthwise, within 1/4 inch of each end. Stuff hot dogs with cheese and relish and wrap in bacon. Place on cooking grid over drip pan and smoke 15 – 20 minutes or until bacon is crisp.

SMOKED VENISON:

Venison Marinade: 1 cup balsamic or wine vinegar, 1 cup olive oil, 2 oz. Worcestershire, 1/2 oz. Tabasco, 2 tbsp. Season-All, 1 – 2 chopped jalapenos 3 oz. soy sauce.

Bacon Marinade: 2 oz. wine vinegar, 2 oz. Worcestershire, 4 dashes tabasco sauce Place leg of venison in a container or “hefty bag” and marinate for 2 – 4 days, turning daily. Marinate bacon overnight in its marinade. Remove roast from refrigerator at least an hour before cooking. Season generously with seasoned salt and coarse ground black pepper. Wrap 1 lb. bacon over the top of the roast, and smoke 20/25 minutes per pound, or until tender. Do not overcook.

SMOKED SHRIMP & CRAYFISH:

Mix 1/2 cup butter, two cloves of crushed garlic, tabasco sauce, sliced green pepper, 1 tablespoon each of minced onions, salt, and juice from one lemon in a foil pan. Add shrimp and/ or crayfish and smoke for 45 minutes.

SMOKED VEGETABLES:

Turnips, potatoes, carrots, okra, mushrooms, peeled onions, zucchini, squash, etc. Put in pan and cover with water and cook for several hours while cooking the meat, or place vegetables on grill and smoke for 50 minutes directly or wrapped in foil.

SMOKED FISH:

Marinate in brine (1/4 cup dissolved in 1 qt. of water) or marinate fish in 1 cup white wine, 1 cup soy sauce mixed with 1 cup lemon juice. Marinate overnight in covered dish in refrigerator. Let it air on rack 20 minutes before placing on Pam-sprayed grill. Smoke 25 minutes.

SMOKED SPARE/BACK RIBS:

Peel off tough layer of skin on back side. Rub all surfaces with seasoning. Place ribs in the center of the cooking grid above the drip pan and smoke approximately 1½ hours or until meat pulls away from bone. Baste with barbecue sauce during last 30 minutes.

CHICKEN MARINADE:

Mix : 1/2 cup soy sauce, 1/4 cup vegetable oil, 1/4 cup red wine vinegar, 1 teaspoon oregano, 1/2 teaspoon sweet basil, 1/2 teaspoon garlic powder with parsley, 1/4 teaspoon pepper, Pour over chicken pieces in a non-metal dish Cover and refrigerate overnight, turning occasionally. Use marinade to baste chicken while cooking.

MEAT MARINADE:

(For steaks, chops, and burgers) Mix, cup soy sauce, 2 coarsely chopped large onions, 2 cloves garlic (halved), Mix ingredients in an electric blender, cover, and process at high speed 1 minute or until mixture is smooth. Stir in 1/4 cup bottle gravy coloring (Kitchen Bouquet and Gravy Master) and 2 teaspoons Beau Monde seasoning (or substitute 1 teaspoon MSG and 1 teaspoon seasoned salt). Allow meat to stand in marinade at room temperature for 2 hours or refrigerate up to 24 hours in a covered dish. Bring meat to room temperature before cooking.

SHISH KABOB MARINADE:

Mix: 1 cup soy sauce, 1/2 cup brown sugar, 1/2 cup vinegar, 1/2 cup pineapple juice, 2 teaspoon salt, 1/2 teaspoon garlic powder, Mix ingredients and bring to a boil. Marinate beef in mixture a minimum of 4 hours.



Thanks for purchasing this **FEASTO**® Charcoal Grill.
We are here to help you enjoy your new Grill.

FEASTO warrants to the original consumer-purchaser only that this product shall be free from defects in workmanship and materials after correct assembly and under normal and reasonable home use for the periods, normal residential use and recommended care for **1-Year** Limited Warranty from the date of original retail purchase. The warranty does not cover paint finish as it may burn off during normal use. **RUST** is not considered a manufacturing or materials defect.

Within the stated warranty period, FEASTO, at its discretion, shall replace defective components free of charge, with the owner being responsible for shipping. FEASTO reserves the right to require that defective parts be returned, postage and or freight pre-paid by the consumer for review and examination. In the event of parts availability issues, FEASTO reserves the right to substitute like or similar parts that are equally functional. Upon the expiration of such warranty, all such liability shall terminate.

Note: This limited warranty is only available to the original owner of the product and is not transferable. A dated sales receipt along with Model Number and Series Number will be required for the warranty service.

The limited warranty will not reimburse you for the cost of any inconvenience, food, personal injury or property damage. All warranty coverage is void if this appliance is ever used for commercial or rental purposes. And this limited warranty applies to the functionality of the product **ONLY** and does not cover cosmetic issues such as scratches, dents, corrosions or discoloring by heat, abrasive and chemical cleaners or any tools used in the assembly or installation of the appliance, surface rust, or the discoloration of stainless steel surfaces.

ITEMS NOT COVERED IN THE WARRANTY SERVICE

Any failures or operating difficulties due to accident, abuse, misuse, alteration, misapplication, vandalism, improper installation or improper maintenance or service, or failure to perform normal and routine maintenance, including but not limited to damage caused by insects within the burner tubes, as set out in the owner's manual.

Deterioration or damage due to severe weather conditions such as hail, hurricanes, earthquakes or tornadoes, discoloration due to exposure to chemicals either directly or in the atmosphere.

Cost of service calls to your home.

Costs of removal or re-installation.

Pickup and delivery of your product.

Shipping or transportation costs.

Labor costs for installation and repair.

Liability for indirect, or consequential damages.

This limited warranty is the sole warranty given by FEASTO and is in lieu of all other warranties, expressed or implied including implied warranty, merchantability, or fitness for a particular purpose. Neither FEASTO nor the retail establishment selling this product has authority to make any warranties or to promise any remedies in addition to or inconsistent with those stated above.

FEASTO's maximum liability, in any event, shall not exceed the purchase price of the product paid by the original consumer purchaser. Some states do not allow the exclusion or limitation of incidental or consequential damages. In such a case, the above limitations or exclusions may not be applicable.

Do not return parts without prior to obtaining return authorization from our customer service department.

Please do not hesitate to contact our customer service when you have any questions regarding assembly, warranty, or accessories. We will be happy to offer any replacement parts you need during the warranty period.



service@feastooutdoors.com



Mon-Fri, 8:30 AM-5:30 PM, EST

ÍNDICE DE MATERIAS

Por su propia seguridad	9-10
Preparación del asado	11
Operación de parrilla	12
Operación de fumar	13
Limpieza y mantenimiento	13
Recetas a la parrilla	14
Recetas de ahumados	15
Garantía Limitada	16
Diagrama de partes	25
Lista de piezas y hardware	26
Préparation	27
Montaje	28-36

Símbolos de seguridad

Los símbolos ilustrados más adelante explican lo que significa cada encabezado. Lea y cumpla lo indicado en los mensajes que se encuentran en todo el manual.



PELIGRO

Indica una situación peligrosa inminente que, de no evitarse, ocasionará la muerte o lesiones graves.



ADVERTENCIA

Indica una situación potencialmente peligrosa que, de no evitarse, podría causar la muerte o lesiones graves.



PRECAUCIÓN

Indica una situación potencialmente peligrosa o una práctica insegura que, de no evitarse, podría causar lesiones leves o menores.



PELIGRO

1. No utilizar en interior.
2. No utilizar alcohol o gasolina para encender o volver a encender.
3. Este aparato se calienta en extremo, no lo mueva durante su funcionamiento.
4. Use el ahumador al menos a 3 pies (91 cm) de cualquier pared o superficie. Mantenga un espacio libre de 10 pies (3 m) de objetos que pudieran incendiarse o fuentes de ignición como bidones de combustibles, bombonas de LP, bombonas de combustible vehicular, etc.
5. No use este ahumador sobre o cerca de superficies o estructuras combustibles tales como tarimas de madera, hojas o pasto seco, vinilo o madera, etc.
6. Es esencial tener un extintor de incendios y un kit de primeros auxilios preparados para un accidente o incendio.
7. Coloque la parrilla en una superficie nivelada, horizontal, segura, resistente al calor y limpia.
8. Encienda el carbón sólo en ubicaciones resguardadas.
9. Llene la parrilla con un máx. 2.6 lb. de carbón para la cámara principal.
10. Algunos alimentos producen grasas y jugos inflamables. Limpie la parrilla regularmente, preferiblemente tras cada uso.
11. Retire las cenizas únicamente cuando el carbón se haya consumido y enfriado completamente.



ADVERTENCIA

PROPOSICION 65 DEL ESTADO DE CALIFORNIA

1. Los subproductos de la combustión al utilizar este producto contienen sustancias químicas reconocidas por el estado de California como causantes de cáncer, defectos congénitos u otros daños reproductivos.
2. Este producto puede exponerlo a productos químicos, incluido el plomo, que el estado de California reconoce como causante de cáncer.

Para más información, visite: www.P65Warnings.ca.gov
Lávese las manos después de manipular este

CONSERVE ESTAS INSTRUCCIONES

Este Manual del Usuario contiene información importante, necesaria para el adecuado montaje y uso seguro del aparato. Lea y siga todas las advertencias e instrucciones antes de montar y usar el aparato. Siga todas las advertencias e instrucciones al usar el aparato. Conserve este Manual del Usuario para futuras referencias. Contacto con el 1-470-589-8732 en caso de necesitar ayuda con el montaje o de tener dudas.

 **PELIGRO** 

RIESGO DE QUEMADURAS Y ACCIDENTES

1. Este dispositivo no está diseñado para ser utilizado por personas (niños incluidos) con capacidades físicas, sensoriales o mentales limitadas, o carentes de experiencia o conocimiento. Tales personas deben ser informadas sobre los peligros del dispositivo y deben ser supervisadas por personas responsables de su seguridad.
2. Se prohíbe cualquier modificación del producto ya que representa un grave riesgo de seguridad. No realice ninguna conversión no autorizada usted mismo. En caso de daños, reparaciones u otros problemas con la parrilla, contacte con nuestro servicio de atención al cliente.
3. Mantener alejados del aparato a niños y mascotas. Mantener suficiente distancia de las partes. La parrilla, el carbón y la comida cocinada se calientan en extremo durante el uso. Cualquier contacto puede resultar en quemaduras graves.
4. Utilice siempre guantes de horno o guantes de barbacoa cuando use la parrilla.
5. Utilice únicamente utensilios de mango largo con agarres resistentes al calor.
6. No utilice ropa con mangas anchas.
7. Permita que la parrilla se seque completamente antes de limpiarla y/o almacenarla.

 **PELIGRO** 

PELIGRO DE MONÓXIDO DE CARBONO

- Cuando quema carbón, briquetas de barbacoa, etc., se forma monóxido de carbono. ¡Este gas no tiene olor y puede provocar la muerte en espacios cerrados!
1. NUNCA quemar carbón vegetal dentro de casas, vehículos, tiendas u otros espacios cerrados.
 2. Utilice la parrilla únicamente al aire libre.

 **PELIGRO** 

RIESGO PARA LA SALUD

No utilice decolorantes o disolventes para eliminar las manchas. Estos son dañinos para la salud y no deben entrar en contacto con la comida.

 **PELIGRO** 

RIESGOS PARA LOS NIÑOS

- Durante el juego, los niños pueden quedar atrapados en el filme de embalaje y asfixiarse.
1. No permita que los niños jueguen con los filmes de embalaje.
 2. Asegúrese de que los niños no se introduzcan piezas pequeñas en la boca. Podrían tragarse las piezas y asfixiarse.

 **PELIGRO** 

RIESGO DE LESIONES

1. Algunas piezas pueden tener bordes afilados.
2. Tenga cuidado con las piezas pequeñas para evitar accidentes y/o lesiones durante el montaje y el uso. Utilice guantes protectores si es necesario.
3. No instale la parrilla en entradas o zonas con mucha concurrencia.
4. Siga todas las instrucciones de montaje. Primero lea completamente todas las instrucciones de montaje. Tómese el tiempo necesario para el montaje y encuentre un espacio nivelado de trabajo de entre dos y tres metros cuadrados. Las piezas pequeñas probablemente vendrán ya montadas.
5. Tenga siempre extrema precaución durante el uso de la parrilla. Si se distrae, puede perder el control del dispositivo.
6. Preste siempre atención a lo que esté haciendo. No utilice la parrilla si no está concentrado, está cansado o bajo la influencia de drogas, alcohol o medicación. Solo un descuido durante el uso del producto puede resultar en lesiones severas.

 **PELIGRO** 

RIESGO DE DAÑOS

1. Durante el uso, los tornillos pueden aflojarse poco a poco y desestabilizar la parrilla. Compruebe la estabilidad de los tornillos antes de cada uso. Si es necesario, apriete todos los tornillos de nuevo para asegurar que la estabilidad de la parrilla.
2. No utilice disolventes abrasivos o estropajos ya que podrían dañar la superficie y dejar marcas de rasguños.

PREPARACIÓN DEL ASADO

• DESEMPAQUETAR LA PARRILLA

Desempaque la parrilla y elimine todo el material de embalaje. Mantenga los materiales de embalaje fuera del alcance de los niños y elimínelos siguiendo las regulaciones tras el montaje de la parrilla. Siga los siguientes pasos para montar la parrilla. Antes del uso, coloque la parrilla en una superficie nivelada y resistente al aire libre.

• PRE-FIRMACIÓN

Antes del primero uso, lave la parrilla de cocción y la rejilla de calentamiento con agua tibia jabonosa.

Antes de cocinar con el ahumador, deben seguirse cuidadosamente los siguientes pasos para el curado, acabado y sazonado del acero interior. No seguir estos pasos puede dañar el acabado y/o impartir sabores metálicos a sus primeras comidas.

1. Cepille todas las superficies interiores, incluidas grillas y parrillas, con aceite de cocina vegetal.
2. Genere un fuego pequeño en la parrilla de carbón, asegurándose de no colocar carbones contra las paredes.
3. Cierre la tapa, coloque los reguladores a aproximadamente un cuarto de apertura. Este fuego debe mantenerse durante al menos dos horas. Deje que la unidad se enfríe completamente.
4. El ahumador ya está listo para usarse.



ADVERTENCIA

La parrilla derramará aceite durante este proceso y durante varios usos posteriores. Esto es normal. **NUNCA EXCEDA LOS 400 °F (204 °C) PORQUE DAÑARÁ EL ACABADO Y CONTRIBUIRÁ A LA OXIDACIÓN. LA PINTURA NO ESTÁ CUBIERTA POR LA GARANTÍA Y REQUERIRÁ RETOQUES. LA OXIDACIÓN TAMPOCO ESTÁ CUBIERTA POR LA GARANTÍA.**

TIPOS DE CARBÓN

Puede quemar briquetas de carbón o piezas de leña natural, la cual tiene atributos diferentes. Las briquetas de carbón ofrecen más tiempo de cocción y suelen ser más económicas mientras que el carbón de madera se calienta más y produce menos cenizas.

CONSEJOS PARA USAR VIRUTAS DE MADERA

Se producirá mucho humo cuando se utilizan las virutas de madera. El humo saldrá por las juntas y volverá negro el interior del ahumador. Esto es normal. Las virutas de madera deben utilizarse para producir humo y que se genere el sabor a ahumado. Nunca utilice más de 1 caja de virutas de madera cada vez. Puede poner astillas de madera secas o previamente empapadas en cajas de ahumado o paquetes de papel de aluminio en las rejillas de cocción.

Las virutas secas se queman más rápido y producen un humo más intenso. Las virutas empapadas previamente en agua (durante aproximadamente 30 minutos) se queman más despacio y producen un humo menos intenso. Inspeccione periódicamente la caja de virutas para comprobar si la madera se ha consumido. Añada más virutas según sea necesario.

AHUMAR CON VIRUTAS DE MADERA / TROZOS DE MADERA

Para obtener más sabor a ahumado cuando utiliza briquetas de carbón o trozos de carbón, añada virutas de madera o varios trozos de madera al fuego. Los trozos de madera están disponibles en diversos sabores, y puede utilizarlos solos o añadirlos al carbón. Como regla general, cualquier madera noble que provenga de árboles que produzcan fruta o frutos secos, no son adecuados para cocinar. Sin embargo, las distintas maderas tienen diversos sabores. Experimente con varias maderas para determinar su preferida y utilice siempre madera bien seca. La madera verde o recién cortada puede ennegrecer y aportar un sabor amargo a la comida.

NUESTRAS RECOMENDACIONES:

Pollo – Aliso, Manzano, Nogal americano, Mezquite, Sasafrás, Vid

Res – Nogal americano, Mezquite, Roble, Vid

Cerdo – Frutales, Nogal americano, Roble, Sasafrás

Cordero – Frutales, Mezquite

Ternera – Frutales, Vid

Marisco – Aliso, Mezquite, Sasafrás, Vid

Verduras – Mezquite

Para encender la parrilla

TENGA EN CUENTA: NO HAY DEVOLUCIONES EN PARRILLAS USADAS

1. Abra la tapa y retire las rejillas.
2. Para iniciar un fuego con carbón, apile 2.6 lb en una pirámide y sature con líquido encendedor.



PELIGRO

No utilice gasolina, queroseno o alcohol para encender el carbón.
Utilizar cualquiera de estos productos puede provocar una explosión y quemaduras graves.

3. Encienda brasas en varios lugares.
4. Cuando las briquetas se consuman o se vuelvan grises, extiéndalas. Por favor, use una herramienta ignífuga adecuada con un agarre largo.
5. Coloque las rejillas en su sitio y ajuste la bandeja de carbón a la altura deseada utilizando la palanca y comience a cocinar.
6. Si no prende de forma homogénea, utilice una herramienta para mover las brasas y conseguir un calor homogéneo.
7. Deje la tapa abierta o cerrada dependiendo de la carne que use. Cierre la tapa cuando precise más tiempo de cocción. El termómetro ubicado en la tapa muestra la temperatura para asegurar que no sea demasiado alta para ciertas carnes.

ADVERTENCIA

1. Los encendedores de chimenea, eléctricos o de otros tipos pueden ser utilizados en lugar del encendedor líquido, pero siga siempre las instrucciones del fabricante. Nunca utilice carbón de encendido rápido o encendedor fluido junto con cualquier otro método de encendido.
2. Permita suficiente tiempo para calentar antes de cocinar. No podrá cocinar adecuadamente cuando la parrilla está fría ni podrá atender el fuego mientras está ocupado preparando la comida. Una vez que el fuego está encendido, es fácil mantenerlo encendido con poca atención.

AJUSTE DE LA TEMPERATURA

Abra la amortiguador para permitir que entre más aire fresco en la parrilla, asegurando así una mayor temperatura de cocción interna, y cierre la amortiguador según sea necesario para disminuir el flujo de aire para una temperatura de cocción más baja.
Si es demasiado intenso, esparza un poco más los carbones. Suba o baje la rejilla regulable para el carbón para controlar la temperatura de la parrilla.

ADVERTENCIA

Utilice siempre una manopla aislante ignífuga cuando ajuste la amortiguador o la bandeja de carbón..

AÑADIR CARBÓN MIENTRAS SE ASA

1. Use los mangos de elevación, coloque la bandeja de carbón en el ajuste más bajo.
2. Abra la puerta de acceso de la bandeja de carbón utilizando guantes de horno ignífugos retardantes de llama. (El mango estará muy caliente. Retire toda la comida y use guantes de barbacoa, mueva la rejilla de cocción para añadir carbón si la parrilla no tiene un dispositivo para añadir carbón. Asegúrese de volver a colocar la rejilla de cocción en su sitio tras el proceso.
3. Use guantes ignífugos retardantes de llama y utensilios largos, carbones con retardante de llama para que las cenizas caigan por las ranuras de la bandeja de carbón o el compartimento por debajo.
4. Usando guantes ignífugos retardantes de llama y utensilios largos, añada carbón a la bandeja.
5. Eleve la bandeja de carbón al nivel deseado.

ADVERTENCIA

1. Extremar las precauciones para evitar lesiones al añadir los carbones.
2. No utilice líquido encendedor o carbón de encendido instantáneo cuando añada carbón adicional a un fuego encendido. Esto es peligroso y puede provocar lesiones. Además, el líquido encendedor dejará sabor en la comida. Añada únicamente carbón normal o leña a un fuego encendido.

La cocción ahumada utiliza calor y humo indirecto. COCCIÓN LENTA DE AHUMADOS. Para encender la barbacoa:

1. Abra la tapa y retire las rejillas de cocción
2. Para iniciar un fuego con carbón, apile 2.6 lb en una pirámide y satúrela con líquido encendedor.
3. Encienda los carbones en varios lugares.
4. Una vez que se consuman las briquetas o se vuelvan grises, coloque los carbones en un ahumador externo si cuenta con uno. Coloque los carbones calientes en el medio de la parrilla de cocción. Para ellos, use una herramienta ignífuga adecuada con un mango largo e ignífugo.
5. Coloque la bandeja de agua/goteo de la parte derecha de las parrillas de cocción en un ahumador externo si cuenta con uno.
6. Coloque las parrillas de cocción en la posición baja.
7. Añada virutas de madera empapadas en agua para obtener un sabor ahumado.
8. Coloque las parrillas de cocción en su sitio.
9. Cierre la tapa y controle el calor con apagadores y la rejilla ajustable.

CONSEJOS PARA FUMAR DE FORMA INDIRECTA

Las sartenes no están incluidas y se recomienda utilizar bandejas desechables de pan. Por favor, adquiéralas aparte.

1. Si quiere asar ciertos alimentos antes de ahumar, coloque la carne directamente por encima de los carbones con la tapa abierta varios minutos.
 2. Añada virutas de madera empapadas en aroma al fuego y añada una 1 parte de adobo, cerveza o vino y 3 partes de agua a la bandeja de goteo.
 3. Abrir la cámara de humo alargará el tiempo de cocción.
 4. Inserte el termómetro en la parte más gruesa sin tocar el hueso, y espere 5 minutos para que se registre.
 5. Compruebe el nivel de agua cuando cocine durante más de 4 horas o cuando no oiga el agua hervir.
 6. Añada agua moviendo la carne y vertiendo agua por la parrilla en la bandeja de agua.
- SI EL HUMO ES BLANCO, EL FUEGO ES CORRECTO.
SI EL HUMO ES NEGRO, AÑADA AIRE.

Su nueva parrilla ha sido diseñada y fabricada con altos estándares de calidad. Le dará muchos años de tiempo de parrillas divertido, sin embargo, necesita un mínimo de mantenimiento.

LIMPIEZA DE CENIZAS Y MANTENIMIENTO REGULAR

Tras extinguir completamente el fuego, debe esperar varias horas antes de vaciar las cenizas para asegurarse de que no están calientes, de lo contrario podría producirse riesgo de quemaduras.

1. Si hay piezas de carbón parcialmente quemadas en la rejilla de cocción puede guardarlas para la próxima vez. Aún pueden servir.
 2. Golpee suavemente los laterales del bol de la parrilla y afloje las cenizas de los laterales.
 3. Retire el conjunto de bandejas de carbón. Golpee suavemente la bandeja de ceniza para aflojar la ceniza.
 4. Vaciar la ceniza fría. Es muy importante que elimine la ceniza antes de que entre humedad en la ceniza fría. La ceniza es salina y en condiciones de humedad, atacará el interior de la bandeja de recolección de ceniza. Por tanto, con los años la bandeja de ceniza puede oxidarse.
 5. Coloque las cenizas en un recipiente de metal y cubra con agua para asegurarse de que no quede carbón encendido, luego puede tirar las cenizas.
 6. Deje que el combustible se consuma completamente tras usar la parrilla. Esto facilita la limpieza al quemar el exceso de grasa y residuos de la barbacoa.
 7. Limpie la parrilla regularmente, preferiblemente tras cada uso.
 8. Retire las rejillas de cocción y límpielas bien con agua jabonosa. Luego séquelas completamente.
 9. Use una esponja húmeda para retirar los residuos de la parrilla.
 10. Use un paño suave, limpio y seco para secar. No arañe las superficies cuando las limpie.
 11. Limpie las superficies internas y externas con agua jabonosa.
 12. Apriete todos los tornillos antes de cada uso para garantizar la estabilidad de la barbacoa en todo momento.
 13. Proteja la parrilla de la influencia meteorológica. Ya que está fabricado de acero, en algún momento se oxidará. Limpie las manchas de óxido y repárelas con pintura ignífuga.
- NUNCA PINTE EL INTERIOR DE LA UNIDAD.

ALMACENAMIENTO DE PARRILLA

1. Limpie la parrilla antes de almacenarla. Almacenar en un lugar seco.
 2. Esta parrilla siempre debe almacenarse protegida de la humedad.
- NOTA: NO deje el carbón en la parrilla mientras no la utilice. Dejar carbón y ceniza en la bandeja de ceniza reducirá la vida útil de su parrilla.
3. Se recomienda una cubierta para proteger su parrilla. Puede elegir entre una variedad de cubiertas para parrilla de cocina ofrecidas por fabricantes.

Los tiempos de cocción de la carne vacuna y del cordero utilizan la definición del Departamento de Agricultura de Estados Unidos (USDA) de término medio, a menos que se indique lo contrario. Los factores como la altitud, el viento y la temperatura exterior pueden afectar los tiempos de cocción.

Consejos sobre seguridad alimenticia

- No descongele carne, pescado o aves a temperatura ambiente. Descongele en el refrigerador.
- Lave sus manos cuidadosamente con agua caliente y jabón antes de comenzar a preparar cualquier comida y luego de manipular carne, pescado y aves frescos.
- Nunca coloque los alimentos cocidos sobre el mismo plato en el que estuvieron los alimentos crudos.
- Lave todos los platos y los utensilios de cocina que han estado en contacto con carnes o pescado crudo con agua caliente y jabón y enjuague.

STEAK (Y TODAS LAS CARNES):

Cocine los alimentos en el lado del carbón de la unidad, directamente por encima de las brasas/calor. Para asar carnes, eleve la parrilla del fuego a una posición alta (caliente) y dore durante un minuto por cada lado con la tapa abierta para sellar el sabor y los jugos. A continuación, baje la rejilla de fuego a la posición media con la tapa cerrada y cocine al grado deseado. Control del calor con amortiguadores dobles y rejilla de fuego ajustable.

Consejo: Coloque la carne a la parrilla en el adobo durante varios minutos antes de servir - será más sabroso y jugoso. PRECAUCIÓN: Primero hierva la marinada adicional para matar las bacterias que quedan de la carne cruda.

BISTEC DE FALDA ADOBO:

Mezcle los ingredientes del adobo en un plato no metálico. Deje que el filete se quede en adobo durante no menos de 4 horas en el refrigerador. Dore cada lado durante 5 minutos, pero el centro debe permanecer raro. Corte el filete diagonalmente a través del grano en rodajas finas antes de servir. Ase con rejilla de fuego en posición alta (caliente) con la tapa abierta o cerrada.

Adobo de Carne:

1/2 taza de aceite de verduras o de oliva, 1/3 de taza de salsa de soja, 1/4 taza de vinagre de vino tinto, 2 cucharadas de jugo de limón, 1 cucharada de mostaza seca, 1 ajo picado, 1 cebolla picada pequeña, 1/4 cucharada de pimienta

PERROS CALIENTES:

Ase con la tapa hacia arriba y las rejillas de cocción en posición alta (caliente) durante aproximadamente 6 minutos. Gire cada pocos minutos.

MAÍZ DULCE EN CÁSCARAS:

Recorte el exceso de seda del extremo y remoje en agua salada fría 1 hora antes de asar a la parrilla. Parrilla 25 minutos - girando varias veces.

CODORNICES O PALOMAS

Cubra las aves con buena cantidad de condimentos y marinar durante la noche. Vierta el aderezo restante y cubra con La salsa picante Texas durante 6 horas. Envuelva las aves en tocino grueso asegurado por un palillo de dientes. Coloque en la parrilla. Sigue girando hasta que el tocino esté negro. Ase durante 20 minutos. Dore con la tapa abierta y cocine la parrilla en posición alta (caliente) durante 1 minuto por cada lado antes de bajar la parrilla y cerrar la tapa. Para fumar las aves, colóquelas en el centro de las rejillas con fuego en ambos extremos de la caja de fuego.

BROCHETAS:

Alterne cualquier combinación de carne, cebolla, tomates, pimientos verdes, champiñones, calabacín, rebanada circular de maíz sobre la mazorca o piña en brochetas. La carne podría consistir en camarones, vieiras, langosta, pollo, salchichas, cerdo, carne de res, etc. Marine la carne en nevera durante varias horas.

Ase cada lado aproximadamente 7 minutos, girando ocasionalmente mientras se basa con adobo. Deje una pequeña cantidad de espacio entre las piezas para cocinar más rápido. Ase con la tapa hacia arriba y las rejillas de cocción en la posición más baja.

Adobo de brocheta:

1 taza de salsa de soja, 1/2 taza de azúcar morena, 1/2 taza de vinagre, 1/2 taza de jugo de piña, 2 cucharadas de sal, 1/2 cucharada de ajo en polvo, Mezcle todos los ingredientes en una cacerola y llevar a ebullición. Deje que el adobo se enfríe antes de marinar su carne en ella. Marine la carne de vacuno en la mezcla un mínimo de 4 horas.

HAMBURGUESAS:

Consulte adobo de carne en páginas anteriores. También puede marinar permitiéndose en adobo durante 1 o 2 horas a temperatura ambiente antes de cocinar o dejarlo reposar en un plato cubierto en el refrigerador durante un máximo de 24 horas. Lleve a temperatura ambiente antes de cocinar. Mezcle en cebollas picadas, pimientos verdes, sal, dore las hamburguesas de 3/4 de pulgada de cada lado, con las rejillas de cocción en posición alta durante unos minutos. Baje la rejilla de fuego a la posición media y asar con la tapa hacia abajo para evitar brotes. Cocine cada lado de 3 a 7 minutos según el grado deseado. Cocine la carne molida a una temperatura interna de 150 F o hasta que el jugo quede limpio (libre de sangre) para prevenir infecciones por E-coli. Las hamburguesas se pueden rociar con adobo al darles la vuelta y / o se pueden mezclar otros ingredientes con la carne molida, como salsa de chile o en polvo.

CAMARONES (pelados) Y CANGREJOS:

Coloque en pinchos. Cubra con mantequilla derretida y sal de ajo. Ase 4 minutos a cada lado o hasta que quede rosado. Salsa de cóctel opcional.

POTATOS AL HORNO:

Frote con mantequilla y envuélvalo en papel de aluminio y cocine a la parrilla con la tapa hacia abajo durante 50 minutos. Gire después de 25 minutos (sin necesidad de girar si está ahumado). Apriete para comprobar si está cocinado.

PAVO AHUMADO:

Enjuague la cavidad vacía y seque con papel de cocina. Coloque las puntas de las alas debajo de la espalda y ate juntas las piernas. Coloque en el centro de la rejilla de cocción directamente sobre la bandeja de goteo de agua. Ahumar durante 12 minutos por cada libra. Si se rellena, deje varios minutos adicionales por libra para la expansión. Use un termómetro de carne para obtener los mejores resultados (190°F en el interior).

JAMÓN ASADO AHUMADO:

Puede ahumar jamón enlatado completamente cocinado o ahumar y curar un jamón entero o una pata o el trasero. Glaseado: 1 taza de azúcar moreno, envasada firmemente, 1/2 taza de zumo de naranja, 1/2 taza de miel, Combinar el azúcar, el zumo y la miel. Dejar asentar el glaseado durante 4 horas como mínimo. Coloque la rejilla de cocción en la posición más baja y una bandeja de goteo debajo de la carne. Retire la piel y corte la grasa diagonalmente para dar un efecto de diamante. Inserta un clavo entero en el centro de cada diamante. Coloque el jamón con el lado con grasa hacia arriba en el centro de la rejilla de cocción directamente sobre la bandeja de goteo. Cierre la tapa. Se recomiendan aproximadamente 9 minutos por libra de cada jamón completamente cocido. El jamón ahumado o curado, no completamente cocido, debe cocinarse a una temperatura interna de 160°F. Cubra de glaseado de jamón 3 o 4 veces durante los últimos 30 minutos de cocción. Adorne con anillos de piña unos 15 minutos antes de finalizar el tiempo de cocción.

PERROS CALIENTES RELLENOS AHUMADOS:

Corte los perritos calientes a lo largo, a 1/4 de pulgada de cada extremo. Rellene los perritos calientes con queso, condiméntelos y envuélvalos en panceta. Colóquelos en la rejilla de cocción sobre la bandeja de goteo y deje ahumar durante 15-20 minutos o hasta que la panceta esté crujiente.

CARNE DE VENADO AHUMADA:

Adobo de venado: 1 taza de vinagre balsámico o de vino, 1 taza de aceite de oliva, 2 onzas de Worcestershire, 1/2 onza de tabasco, 2 cucharadas de especias, 1-2 jalapeños picados, 3 onzas de salsa de soja, Adobo de panceta: 2 onzas de vinagre de vino, 2 onzas de Worcestershire, 4 pizcas de tabasco, Coloque la pata de venado en un recipiente o "bolsa resistente" y deje adobar entre 2 y 4 días, girando diariamente. Adobar la panceta durante la noche en su adobo. Retire el asado del refrigerador al menos una hora antes de cocinarlo. Sazone bien con sal sazónada y pimienta molida gruesa. Envuelva 1 libra de panceta sobre la parte superior del asado y deje ahumar 20/25 minutos por libra, o hasta que esté tierno. No ase en exceso.

GAMBAS Y CANGREJOS AHUMADOS:

Mezcle en una bandeja de aluminio 1/2 taza de mantequilla, dos dientes de ajo machacados, Tabasco, rodajas de pimiento verde, 1 cucharada de cada cebolla picada, sal y el zumo de un limón. Añada las gambas y/o cangrejos y deje ahumar durante 45 minutos.

VERDURAS AHUMADAS:

Nabos, patatas, zanahorias, quingombó, champiñones, cebolla pelada, calabacín, calabaza, etc. Coloque en una sartén y cubra con agua. Cocinar durante varias horas mientras prepara la carne. O coloque la verdura en la parrilla y ahúme durante 50 minutos. Si lo desea, envuelva en papel de aluminio.

PESCADO AHUMADO:

Adobar en salmuera (1/4 taza disuelta en 1 cuarto de litro de agua) o marinar el pescado en 1 taza de vino blanco, 1 taza de salsa de soja mezclada con 1 taza de zumo de limón. Dejar en adobo durante la noche en un plato cubierto en nevera. Deje que entre aire por la rejilla 20 minutos antes de colocarlo en la parrilla rociada con aerosol de comida. Ahumar durante 25 minutos.

COSTILLAS ESTERNALES/TRASERAS AHUMADAS:

Pelar la capa dura de piel en la parte posterior. Cubrir todas las superficies con condimentos. Coloque las costillas en el centro de la rejilla sobre la bandeja de goteo y ahúme aproximadamente 1-1/2 horas o hasta que la carne se desprenda del hueso. Adobar con salsa barbacoa durante los últimos 30 minutos.

MARINADO DE POLLO:

Combinar: 1/2 taza de salsa de soja, 1/4 taza de aceite vegetal, 1/4 taza de vinagre de vino tinto, 1 cucharadita de orégano, 1/2 cucharadita de albahaca dulce, 1/2 cucharadita de ajo en polvo con perejil, 1/4 cucharadita de pimienta. Colocar los trozos de pollo en un plato no metálico. Cubrir y refrigerar durante la noche, girando ocasionalmente. Use el marinado para bañar el pollo mientras lo cocina.

MARINADO DE CARNE:

(Para filetes, chuletas y hamburguesas) Combine: 1/4 cup soy sauce, 2 coarsely chopped large onions, 2 cloves garlic (halved), Mezcle los ingredientes en una licuadora, cubra y procese a alta velocidad durante 1 minuto o hasta que la mezcla sea muy suave. Añada 1/4 de salsa colorante (Kitchen Bouquet y Gravy Master) y 2 cucharaditas de aderezo Beau Monde (o sustituya por 1 cucharadita de MSG y 1 cucharadita de sal sazónada). Deje la carne en el adobo a temperatura ambiente durante 2 horas o refrigere durante 24 horas en un plato cubierto. Deje que la carne alcance la temperatura ambiente antes de cocinarla.

Gracias por adquirir la Parrilla de Carbón de **FEASTO**[®]. Estamos aquí para ayudarle a maximizar su disfrute y comprensión de su nueva parrilla.

El FEASTO le garantiza únicamente al consumidor-comprador original, que este producto no presentará defectos de mano de obra ni de materiales, si se los ensambla correctamente, se los utiliza de forma normal y se los cuida según las recomendaciones, durante un período de 1 año a partir de la fecha de compra original. La garantía de FEASTO no cubre el acabado de la pintura ya que puede salirse durante el uso normal.

RUST no se considera una de fabricación o materiales defecto.

Durante el período de vigencia establecido de la garantía, FEASTO, a su criterio, reemplazará los componentes defectuosos sin costo alguno, debiendo hacerse responsable el propietario de los gastos de envío. FEASTO se reserva el derecho de exigir la devolución de las piezas defectuosas, enviadas con el porte o el flete pagado por el consumidor, para ser revisadas y examinadas. En cas de problèmes de disponibilité des pièces, FEASTO se réserve le droit de remplacer des pièces similaires qui sont également fonctionnels. Después de la fecha de vencimiento de la garantía, finalizarán todas las responsabilidades

Nota: Esta garantía limitada solo está disponible para el propietario original del producto y no es transferible. A fecha de recibo con el número de modelo y el número de serie de compra serán necesarios para el servicio de garantía.

Esta garantía limitada no ampara el costo en el que se incurra por inconvenientes, alimentos, lesiones ni daños a la propiedad. Cualquier cobertura de garantía será nula si esta aparato se utiliza con fines comerciales o de alquiler. Esta garantía limitada atañe ÚNICAMENTE al funcionamiento del producto y no ampara rayones, abolladuras, corrosión ni decoloración ocasionada por el calor, los productos de limpieza abrasivos y químicos, ni por las herramientas usadas en el armado o en la instalación del aparato, oxidación de las superficies ni decoloración de las superficies de acero inoxidable.

LO QUE NO ESTÁ CUBIERTO EN EL SERVICIO DE GARANTÍA

Cualquier falla o problema de funcionamiento debido a un accidente, uso indebido o incorrecto, alteración, uso para otros fines, vandalismo, instalación incorrecta o mantenimiento o reparación inadecuados, o el incumplimiento del mantenimiento de rutina, incluyendo, pero sin limitarse a, daños causados por insectos dentro de los tubos del quemador, como se especifica en el manual del propietario.

Deterioro o daños debidos a condiciones meteorológicas severas, como granizo, huracanes, terremotos o tornados, decoloración debido a exposición a productos químicos ya sea directamente o en el ambiente.

Costo de llamadas de servicios.

Costos de envío o transportación.

La recogida y el envío de su producto.

Costos de devolución o reinstalación.

Costo de mano de obra por reinstalación o reparaciones.

Responsabilidad por daños indirectos o consiguientes.

Esta garantía Limitada es la única garantía entregada por FEASTO y eemplaza a todas las demás garantías, expresas o implícitas, incluidas las garantías implícitas de comercialización o idoneidad para cualquier fin en particular. Ni FEASTO ni el establecimiento minorista que ofrece este producto, tienen autoridad alguna para otorgar garantías o prometer otros recursos que sean adicionales o inconsistentes con los establecidos previamente.

La responsabilidad máxima de FEASTO, en todos los casos, no superará el precio de compra del producto que el cliente o comprador original pagó. Algunos estados no permiten la exclusión o limitación de daños accidentales o resultantes. En dicho caso, no se aplicarán las exclusiones o limitaciones anteriores.

No devuelva piezas sin antes obtener la autorización de devolución de nuestro departamento de servicio al cliente.

Si tiene alguna duda sobre el nuevo montaje, la garantía o el anexo, por favor póngase en contacto con nuestro servicio al cliente. Estaremos encantados de ofrecer cualquier pieza de repuesto que necesite durante el período de garantía.

 service@feastooutdoors.com


 Lun.–Vie. 8:30 AM-5:30 PM, EST

TABLE DES MATIÈRES

Pour votre sécurité	17-18
Préparation de Cuisson	19
Opération de grillade	20
Opération Fumeurs	21
Nettoyage et entretien	21
Recettes de grillade	22
Recettes de fumage	23
Garantie Limitée	24
Schéma des pièces	25
Liste des pièces et du matériel	26
Instructions d'assemblage	27
Assemblage	28-36

Symboles de sécurité

Vous trouverez ci-dessous une explication du sens de chaque symbole. Lisez et respectez toutes les consignes qui apparaissent partout dans ce guide.



indique des conditions qui représentent un danger imminent; à défaut de prendre les mesures correctives appropriées, la mort ou de graves blessures s'ensuivront.



indique des conditions qui représentent un risque d'accident; à défaut de prendre les mesures correctives appropriées, la mort ou de graves blessures s'ensuivront.



indique une situation potentiellement dangereuse ou une pratique à risque qui, si elle n'est pas évitée, pourrait entraîner des blessures mineures ou modérément graves.



1. Ne pas utiliser à l'intérieur!
2. N'utilisez pas d'alcool, ni d'essence pour allumer ou rallumer!
3. Cet appareil va devenir très chaud, ne le déplacez pas pendant le fonctionnement!
4. Utilisez votre fumoir à au moins 91 cm (3 pi) de tout mur ou de toute surface. Maintenez un dégagement de 3 m (10 pi) de tout objet pouvant s'enflammer ou de toute source d'inflammation comme des canettes de gaz, des bouteilles de gaz propane, du carburant pour véhicule, etc.
5. N'utilisez pas ce gril sur ou près de surfaces ou de structures combustibles telles que des terrasses en bois, des feuilles sèches ou de l'herbe, des revêtements en vinyle ou en bois, etc.
6. Il est impératif d'avoir un extincteur et une trousse de secours à portée de main en cas d'accident ou d'incendie.
7. Mettez le gril sur une surface plane, horizontale, sûre, résistante à la chaleur et propre.
8. Allumez le charbon de bois seulement dans un endroit abrité du vent.
9. Remplissez le gril avec un max. 2.6 lb. de charbon de bois pour la chambre principale.
10. Certains aliments produisent des graisses et des jus inflammables. Nettoyez le gril régulièrement, de préférence après chaque utilisation.
11. Ne jetez les cendres que lorsque le charbon est complètement brûlé et refroidi.



CALIFORNIA PROPOSITION 65

1. Les produits dérivés de la combustion formés lors de l'utilisation de ce produit contiennent des produits chimiques connus dans l'État de la Californie pour causer un cancer, des malformations congénitales ou d'autres troubles de la reproduction.
 2. Ce produit peut vous exposer à des produits chimiques, dont le plomb, reconnu par l'État de Californie comme étant cancérigène.
- Pour plus d'informations, visitez le site:
www.P65Warnings.ca.gov
Veillez vous laver les mains après avoir manipulé ce produit.

CONSERVER CES INSTRUCTIONS

Ce manuel d'utilisation contient des informations importantes nécessaires au bon assemblage et à l'utilisation en toute sécurité de l'appareil. Lisez et suivez tous les avertissements et instructions avant d'assembler et d'utiliser l'appareil.

Respectez tous les avertissements et les instructions lors de l'utilisation de l'appareil. Conservez ce manuel d'utilisation pour pouvoir vous y référer ultérieurement. Contactez le 1-470-589-8732 si vous avez besoin d'aide pour le montage ou si vous avez des questions.

! DANGER !

RISQUE DE BRÛLURE ET D'ACCIDENT

1. Cet appareil n'est pas destiné à être utilisé par des personnes (y compris les enfants) ayant des capacités physiques, sensorielles ou mentales limitées, qui manquent d'expérience ou de connaissances. Ces personnes doivent être informées des dangers de l'appareil et elles doivent être surveillées par une personne responsable de leur sécurité.
2. Toute modification du produit représente un risque important pour la sécurité et elle est interdite. N'entreprenez aucune conversion non autorisée vous-même. En cas de dommages, de réparations ou d'autres problèmes liés au gril, contactez notre service à la clientèle.
3. Maintenez les enfants et les animaux domestiques éloignés de l'appareil. Gardez une distance suffisante avec les parties chaudes. Le gril, le charbon et les aliments grillés deviennent très chauds pendant l'utilisation. Ainsi, tout contact peut provoquer de graves brûlures.
4. Portez toujours des gants isolants ou des gants de barbecue pendant la cuisson.
5. Utilisez uniquement des ustensiles à long manche dotés de poignées résistantes à la chaleur.
6. Ne portez pas de vêtements à manches larges.
7. Laissez le gril refroidir complètement avant de le nettoyer et / ou de le ranger.

! DANGER !

RISQUE DE MONOXYDE DE CARBONE

Lors de la combustion de charbon de bois, de briquettes de barbecue, etc., il se forme du monoxyde de carbone. Ce gaz est inodore et il peut être fatal dans des espaces clos!

1. NE JAMAIS brûler de charbon de bois à l'intérieur des maisons, des véhicules, des tentes ou tout autre espace clos.
2. Utilisez le gril uniquement à l'extérieur.

! DANGER !

RISQUE POUR LA SANTÉ

Ne pas utiliser de décolorant ou de diluant pour enlever les taches. Car ils sont nocifs pour la santé et ne doivent pas entrer en contact avec des aliments.

! DANGER !

RISQUES POUR LES ENFANTS

- En jouant, les enfants peuvent se prendre dans le film d'emballage et s'étouffer.
1. Ne laissez pas les enfants jouer avec les films d'emballage.
 2. Assurez-vous que les enfants ne mettent pas de petites pièces d'assemblage dans leur bouche. Car ils pourraient avaler ces pièces et s'étouffer.

! DANGER !

RISQUE DE BLESSURE

1. Certaines pièces peuvent présenter des arêtes vives!
2. Soyez prudent avec les pièces pour éviter les accidents et / ou les blessures lors du montage et de l'utilisation. Portez des gants de protection si nécessaire.
3. N'installez pas le gril à proximité d'entrées ou de zones à trafic intense.
4. Suivez toutes les instructions de montage répertoriées ici. Lisez tout d'abord toutes les instructions de montage. Prévoyez suffisamment de temps pour le montage et trouvez un espace de travail uniforme de deux à trois mètres carrés. Les petites pièces doivent être probablement préassemblées.
5. Faites toujours preuve d'une extrême prudence lors de la cuisson. En cas de distraction, vous pouvez perdre le contrôle de l'appareil.
6. Soyez toujours attentif et conscient concernant ce que vous faites. N'utilisez pas le gril si vous n'êtes pas concentré, si vous êtes fatigué ou sous l'influence de drogues, d'alcool ou de médicaments. Un seul moment d'inattention lors de l'utilisation du produit peut entraîner des blessures graves.

! DANGER !

RISQUE DE DOMMAGES

1. Pendant l'utilisation, les vis peuvent se desserrer lentement et nuire à la stabilité du gril. Vérifiez que les vis sont bien serrées avant chaque utilisation. Si nécessaire, resserrez toutes les vis pour vous assurer que le gril est bien stable.
2. N'utilisez pas de solvants abrasifs ou de tampons à récurer car ils pourraient endommager la surface et laisser des traces de rayures.

PRÉPARATION DU RÔTI DÉBALLER LE GRIL

Déballer le gril et débarrassez-vous de tous les matériaux d'emballage. Conservez les emballages hors de la portée des enfants et, après le montage du gril, jetez-les en respectant la réglementation. Suivez les étapes suivantes pour assembler le gril. Avant de l'utiliser, placez le gril sur une surface plane et solide à l'extérieur.

PRÉ-CUISSON

Avant la première utilisation, nettoyez les grilles de cuisson et la grille chauffante à l'eau chaude savonneuse.

Vous devez suivre soigneusement les étapes suivantes pour apprêter le fini et préparer le revêtement intérieur en acier de votre fumoir avant de vous en servir. L'omission de bien suivre ces étapes pourrait endommager le fini ou donner une saveur métallique à vos premiers aliments.

1. Brossez toutes les surfaces intérieures, y compris les grilles et les étagères avec de l'huile végétale à cuisson.
2. Montez un petit feu sur la grille à charbon de bois en vous assurant que les briquettes ne touchent pas aux parois.
3. Fermez le couvercle et ouvrez les entrées d'air d'un quart de tour environ. Ce feu devrait être entretenu pendant au moins deux heures. Attendez le refroidissement de l'appareil.
4. Votre fumoir est maintenant prêt à l'emploi.



AVERTISSEMENT

Le gril produira des gouttes d'huile pendant ce processus et pendant plusieurs utilisations par la suite. C'est normal.

NE JAMAIS DÉPASSER 400 °F (204 °C) PARCE QUE CECI POURRAIT ENDOMMAGER LA FINITION ET FAVORISERA L'APPARITION DE LA ROUILLE. LA PEINTURE N'EST PAS GARANTIE ET NÉCESSITERA DES RETOUCHES. CE N'EST PAS GARANTI CONTRE LA ROUILLE.

TYPES DE CHARBON DE BOIS

Vous pouvez faire brûler des briquettes de charbon de bois ou des morceaux de bois naturels avec différentes propriétés. Les briquettes de charbon de bois donnent généralement des temps de cuisson plus longs et sont généralement moins chères, tandis que le charbon de bois en morceaux chauffe plus et produit moins de cendres.

CONSEILS POUR L'UTILISATION DE COPEAUX DE BOIS DE BOIS

On obtiendra beaucoup de fumée lors de l'utilisation de copeaux de bois. La fumée s'échappera par les joints et retournera à l'intérieur du gril noir. C'est normal.

Les copeaux de bois doivent être utilisés pour produire de la fumée et créer la saveur de fumée.

Ne jamais utiliser plus d'une boîte de copeaux de bois à la fois. Vous pouvez placer des copeaux de bois secs ou pré-trempés dans des boîtes de fumoir ou des paquets d'aluminium sur les grilles de cuisson.

Les copeaux secs brûlent plus rapidement et produisent une fumée plus intense. Les copeaux pré-trempés dans l'eau (pendant environ 30 minutes) brûleront plus lentement et produiront une fumée moins intense.

Vérifiez périodiquement la boîte à copeaux pour voir si le bois a brûlé. Ajoutez plus de copeaux au besoin.

FUMER AVEC DES COPEAUX DE BOIS / MORCEAUX DE BOIS

Pour obtenir une saveur de fumée plus robuste lors de l'utilisation de briquettes de charbon de bois ou de charbon de bois en morceaux, essayez d'ajouter au feu des copeaux de bois ou plusieurs morceaux de bois.

Les morceaux de bois sont disponibles dans une variété de saveurs naturelles et peuvent être utilisés seuls ou en complément du charbon de bois. En règle générale, tout bois dur qui porte un fruit ou une noix convient pour la cuisson. Cependant, différents bois ont des goûts très différents. Faites l'expérience en utilisant différents bois pour déterminer votre bois favori, et utilisez toujours du bois bien sec. Le bois vert ou fraîchement coupé peut noircir les aliments et donner un goût amer.

NUESTRAS RECOMENDACIONES:

Pollo – Aliso, Manzano, Nogal americano, Mezquite, Sasafrás, Vid

Res – Nogal americano, Mezquite, Roble, Vid

Cerdo – Frutales, Nogal americano, Roble, Sasafrás

Cordero – Frutales, Mezquite

Ternera – Frutales, Vid

Marisco – Aliso, Mezquite, Sasafrás, Vid

Verduras – Mezquite

Pour allumer votre grill:

VEUILLEZ NOTER : AUCUN RETOUR SUR LES GRILS UTILISÉS

1. Ouvrez le couvercle et retirez les grilles de cuisson.
2. Pour allumer un feu de charbon de bois, empilez un tas de 2.6 lb sous forme de pyramide et y ajouter un allume feu liquide.

DANGER

N'utilisez pas d'essence, de kérosène ou d'alcool pour allumer du charbon de bois. L'utilisation de l'un de ces produits ou de produits similaires peut provoquer une explosion pouvant entraîner des lésions corporelles graves.

3. Allumez des braises placées à plusieurs endroits.
4. Une fois que les briquettes sont devenues cendrées ou grisonnantes, étalez-les.
5. Mettez les grilles de cuisson en place et ajustez le bac à charbon à la hauteur souhaitée à l'aide de la poignée de levage et commencez la cuisson.
6. Si cela ne brûle pas uniformément, veuillez utiliser des pinces à long manche pour déplacer les charbons pour obtenir une chaleur uniforme.
7. Laissez le couvercle ouvert ou fermé en fonction du type de viande à griller. Veuillez fermer le couvercle si vous avez besoin d'un temps de cuisson plus long. Le thermomètre, situé sur le couvercle, indique la température, ce qui permet de s'assurer qu'elle n'est pas trop élevée pour une viande de barbecue particulière.

AVERTISSEMENT

1. Des dispositifs de démarrage de cheminée, de démarrage électrique ou d'autres types d'allume-feu peuvent être utilisés à la place d'un liquide pour allumer le feu, mais utilisez-le uniquement selon les instructions du fabricant. N'utilisez jamais de système d'allume-feu de charbon de bois instantané ou de liquide allume-feu pour charbon de bois avec une autre méthode de démarrage.
2. Laissez suffisamment de temps au grill pour qu'il soit chaud avant la cuisson. Vous ne pouvez, ni cuisiner convenablement lorsque le grill est froid, ni allumer un feu pendant que vous êtes occupé à manger. Une fois que le feu brûle bien, il est facile de le maintenir avec un peu d'attention.

RÉGLAGE DE LA TEMPÉRATURE

Ouvrez le amortisseur sur le couvercle et le bouton du clapet avant pour laisser entrer plus d'air frais dans le grill, assurant ainsi une température de cuisson interne plus élevée, et fermez le amortisseur au besoin pour diminuer le débit d'air et obtenir une température de cuisson plus basse. Si le feu est trop chaud, étendez davantage les briquettes, ce qui le rend moins intense. Haussez ou baissez la grille réglable de charbon pour contrôler la température.

AVERTISSEMENT

Utilisez toujours un gant de grill isolé ignifugé pour régler le amortisseur ou le bac à charbon.

AJOUT DE CHARBONS PENDANT LA GRILLADE

1. À l'aide des poignées de levage, abaissez le plateau du charbon de bois pour le régler au plus bas.
2. Ouvrez la porte d'accès au bac à charbon à l'aide d'un gant isolant ignifuge. (La poignée est très chaude.) Retirez tous les aliments et mettez des gants de barbecue, déplacez la grille de cuisson pour ajouter du charbon si le grill n'a pas équipé d'appareil pour y ajouter. Assurez-vous de remettre la grille de cuisson à sa place après avoir terminé toutes les opérations.
3. Utilisez des gants isolants ignifuges et des pinces à long manche pour manipuler les charbons ardents et pour faire tomber les cendres dans les fentes du bac à charbon ou dans les fentes de la glissière ci-dessous.
4. Utilisez des gants isolants ignifuges et des pinces à long manche. Ajoutez du charbon dans le bac au besoin avec des gants isolants ignifuges et des pinces à long manche.
5. Soulevez le bac à charbon jusqu'au niveau souhaité.

AVERTISSEMENT

1. Faites preuve d'une extrême prudence pour éviter toute blessure lors de l'ajout de charbon de bois.
2. N'utilisez pas de charbon de bois léger ou instantané en ajoutant du charbon à un feu existant. Ceci est dangereux et peut causer des blessures. Il laissera également un arrière-goût fluide plus léger à votre nourriture. N'ajoutez que des morceaux de bois ou du charbon de bois ordinaire à un feu existant.

Fumage en cuisinant tout en utilisant indirectement la chaleur et la fumée. FUMAGE PAR CUISSON LENTE. Pour allumer le barbecue

1. Ouvrez le couvercle et retirez les grilles de cuisson.
2. Pour allumer un feu de charbon de bois, empiler 2.6 lb sous forme d'une pyramide et arroser avec un liquide allume-feu.
3. Allumez des braises à plusieurs endroits.
4. Après que les briquettes soient cendrées ou grisonnantes, placez du charbon de bois chaud sur les grilles de cuisson du fumoir si vous en avez un. Placez les braises au milieu des grilles de cuisson. Pour cela, utilisez un outil ignifuge approprié doté d'un long manche ignifuge.
5. Placez le plat pour l'eau / l'égouttement sur le côté droit des grilles de cuisson du fumoir à l'écart, le cas échéant.
6. Mettez les grilles de cuisson en position basse.
7. Ajoutez des copeaux de bois dur imbibés d'eau pour un goût fumé.
8. Mettez les grilles de cuisson en place.
9. Fermez le couvercle et réglez la chaleur à l'aide des registres et de la grille réglable.

CONSEILS POUR LE TABAGISME INDIRECT

Les casseroles ne sont pas incluses et une casserole pour pain jetable est recommandée. Veuillez l'acheter séparément.

1. Si vous souhaitez faire cuire certains aliments avant de les fumer, placez la viande directement au-dessus des charbons avec le couvercle ouvert plusieurs minutes.
2. Ajoutez des copeaux de bois imprégnés de saveur au feu et ajoutez une partie de marinade, de bière ou de vin à 3 parties d'eau dans le plateau d'égouttement.
3. L'ouverture de la chambre de fumage prolongera la durée de cuisson.
4. Insérez le thermomètre dans la partie la plus épaisse sans toucher l'os, et attendez cinq minutes pour qu'il puisse enregistrer.
5. Vérifiez le niveau d'eau lorsque vous cuisinez plus de 4 heures ou lorsque vous ne pouvez pas entendre le frémissement de l'eau.
6. Ajoutez de l'eau en déplaçant la viande et versez de l'eau à travers le grill dans le bac à eau.

**SI LA FUMÉE EST BLANCHE, LE FEU EST BON.
SI LA FUMÉE EST NOIRE, AJOUTER DU TIRAGE.**

Votre nouveau grill a été conçu et fabriqué selon des normes de qualité élevées. Il vous procurera de nombreuses années de plaisir à griller, mais il nécessite un minimum d'entretien.

NETTOYAGE DES CENDRES ET ENTRETIEN RÉGULIER

Une fois le feu éteint, attendez plusieurs heures avant de vider les cendres pour vous assurer qu'elles ne sont pas chaudes et qu'elles ne risquent pas de provoquer des brûlures.

1. S'il y a des morceaux de charbon partiellement brûlés sur la grille de cuisson, vous pouvez les conserver pour la prochaine fois. Ils sont encore bons.
 2. Appuyez sur les côtés de la cuvette pour faire tomber les cendres qui se trouvent sur les côtés.
 3. Retirez l'ensemble de bac à charbon. Donnez quelques petits coups fermes au cendrier pour faire détacher les cendres coincées.
 4. Videz les cendres froides. Soulevez le bac à charbon et videz les cendres froides. Il est très important que vous retiriez les cendres avant que l'humidité ne se combine avec les cendres froides. Les cendres sont salines, dans des conditions d'humidités, elles attaqueront l'intérieur du bac collecteur de cendres. Ainsi, au fil des années, le bac collecteur de cendres pourrait être endommagé par la rouille.
 5. Placez les cendres dans un récipient en métal et couvrez-les d'eau pour vous assurer qu'il n'y a pas de braises allumées. Vous pouvez ensuite vous en débarrasser.
 6. Laissez le combustible brûler complètement après avoir terminé les grillades. Cela facilitera le nettoyage en faisant brûler les excès de graisse et les résidus du barbecue.
 7. Nettoyez le grill régulièrement, c'est mieux de le nettoyer après chaque utilisation.
 8. Retirez les grilles de cuisson et nettoyez-les soigneusement à l'eau savonneuse. Puis faites-les sécher soigneusement.
 9. Utilisez une éponge humide pour éliminer les résidus du grill.
 10. Utilisez un chiffon doux et propre pour le séchage. En essuyant, faites bien attention pour ne pas rayer les surfaces.
 11. Nettoyez les surfaces internes et externes avec de l'eau tiède savonneuse.
 12. Serrez toutes les vis avant chaque utilisation pour garantir la stabilité de votre grill à tout moment.
 13. Protégez votre grill contre les intempéries. Comme il est fabriqué en acier, il finira par rouiller. Nettoyez les taches de rouille éventuelles et faites les disparaître avec une peinture ignifuge.
- NE PEINTUREZ JAMAIS L'INTÉRIEUR DE L'APPAREIL.**

STOCKAGE DU GRIL

1. Nettoyez votre grill avant de le ranger. Stockez le grill dans un emplacement sec.
 2. Le grill doit toujours être étayé là où il est protégé de l'humidité.
- REMARQUE: NE PAS laisser de charbon de bois dans votre grill si vous n'allez pas l'utiliser. Le charbon de bois et les cendres laissés à l'intérieur du cendrier peuvent réduire la durée de vie de votre grill.**
3. Une housse est hautement recommandée pour protéger votre grill. Faites votre choix parmi un large choix de housses de grill proposés par les fabricants.

Le temps de cuisson pour la viande de bœuf et d'agneau utilise la définition de cuisson à point de l'USDA, sauf indication contraire. Les facteurs tels que l'altitude, le vent et la température extérieure peuvent avoir une incidence sur le temps de cuisson.

Conseils liés à la salubrité alimentaire

- Ne décongelez pas la viande, le poisson ou la volaille à température ambiante. Décongelez-les dans le réfrigérateur.
- Lavez-vous les mains soigneusement à l'eau chaude savonneuse avant toute préparation des repas, et après avoir manipulé des produits frais tels que les viandes, les poissons et les volailles.
- Ne placez jamais des aliments cuits sur le même plat que des aliments crus.
- Lavez à l'eau chaude savonneuse puis rincez tous les plats et ustensiles de cuisine ayant été en contact avec de la viande ou du poisson crus.

STEAK (ET TOUTES LES VIANDES):

Faites cuire les aliments du côté charbon de l'appareil, directement au-dessus des charbons / chaleur. Pour griller les viandes, soulevez la grille de feu en position haute (chaude) et grillez pendant une minute de chaque côté avec le couvercle ouvert pour conserver la saveur et le jus. Puis abaissez la grille de feu à la position moyenne avec le couvercle fermé et faites cuire au degré désiré. Contrôlez la chaleur avec les amortisseurs doubles et une grille de feu réglable. Truc: Remettez la viande grillée dans la marinade pendant plusieurs minutes avant de la servir - elle sera plus savoureuse et plus juteuse. ATTENTION: Faites d'abord bouillir la marinade supplémentaire pour tuer les bactéries restantes de la viande crue.

STEAK DE FLANC MARINÉ:

Mélangez les ingrédients de marinade dans un plat non métallique. Laissez reposer le steak dans la marinade pendant au moins 4 heures au réfrigérateur. Faites dorer chaque côté pendant 5 minutes, mais le centre doit rester cru. Coupez le steak en diagonale dans le sens du grain en fines tranches avant de servir. Grillez avec la grille de feu en position haute.

Marinade de Viande

1/2 tasse d'huile végétale ou d'olive, 1/3 tasse de sauce soja, 1/4 tasse de vinaigre de vin rouge, 2 cuillères à café de jus de citron, 1 cuillère à café de moutarde sèche, 1 gousse d'ail émincée, 1 petit oignon émincé, 1/4 cuillère à café de poivre.

CAILLES OU COLOMBES:

Couvrez les oiseaux d'une bonne quantité d'assaisonnement et faites-les mariner pendant la nuit. Versez le reste de la vinaigrette et couvrez de sauce piquante. Texas Pete pendant 6 heures. Enveloppez les oiseaux dans du bacon épais fixé par un cure-dent. Placez sur le barbecue. Continuez à retourner jusqu'à ce que le bacon soit noir. Faites griller pendant 20 minutes. Grillez avec le couvercle ouvert et la grille de feu en position haute (chaude) pendant 1 minute de chaque côté avant d'abaisser la grille et de fermer le couvercle. Pour fumer les oiseaux, placez-les au centre des grilles avec du feu aux deux extrémités de la chambre à feu.

HOT-DOGS:

Grillez avec le couvercle relevé et les grilles de cuisson en position haute (chaude) pendant environ 6 minutes. Retournez toutes les quelques minutes.

MAÏS DOUX EN COQUE :

Coupez l'excédent de soie à l'extrémité et faites-le tremper dans de l'eau froide salée 1 heure avant la cuisson. Grillez pendant 25 minutes - en le retournant plusieurs fois.

KEBAB:

Alternez toute combinaison de viande, oignons, tomates, poivrons verts, champignons, courgettes, tranche circulaire de maïs en épi ou ananas sur des brochettes. La viande peut être composée de crevettes, de pétoncles, de homard, de poulet, de saucisse, de porc, de bœuf, etc. Faites mariner la viande au réfrigérateur pendant plusieurs heures. Grillez chaque côté pendant environ 7 minutes, en les retournant de temps en temps en arrosant de marinade. Laissez un peu de place entre les morceaux pour cuire plus vite. Grillez avec le couvercle relevé et les grilles de cuisson dans la position la plus basse.

Marinade de Kebab:

1 tasse de sauce soja, 1/2 tasse de cassonade, 1/2 tasse de vinaigre, 1/2 tasse de jus d'ananas 2 cuillères à café de sel, 1/2 cuillère à café d'ail en poudre. Mélangez tous les ingrédients dans une casserole et portez à ébullition. Laissez refroidir la marinade avant d'y faire mariner la viande. Faites mariner le bœuf dans le mélange pendant au moins 4 heures.

HAMBURGER:

Reportez-vous à la marinade de viande aux pages précédentes. Vous pouvez également faire mariner en laissant reposer dans la marinade pendant 1 ou 2 heures à température ambiante avant la cuisson ou laisser reposer dans un plat couvert au réfrigérateur jusqu'à 24 heures. Amenez-le à température ambiante avant la cuisson. Incorporez les oignons hachés, les poivrons verts, le sel, grillez les galettes de 3/4 po de chaque côté, avec les grilles de cuisson en position haute pendant quelques minutes. Abaissez la grille de feu en position moyenne et faites-la griller avec le couvercle abaissé pour éviter les flammes. Cuisez chaque côté pendant 3 à 7 minutes selon le degré souhaité. Faites cuire la viande hachée à une température interne de 150 °F ou jusqu'à ce que le jus soit clair (sans sang) pour prévenir les infections de type E. Coli. Les hamburgers peuvent être arrosés de marinade lorsqu'ils sont retournés et/ou d'autres ingrédients peuvent être mélangés avec le bœuf haché tels que la sauce chili ou la poudre.

CREVETTE (Pelée) et ÉCREVISSE:

Placez-les sur des brochettes. Couvrez-les du beurre fondu et du sel à l'ail. Grillez-les pendant 4 minutes pour chaque côté ou jusqu'à ce qu'elles soient roses. Sauce de cocktail en option.

POMMES DE TERRE CUITES:

Frottez-les de beurre et enveloppez-les dans le papier d'aluminium et faites cuire sur le barbecue avec le couvercle abaissé pendant 50 minutes. Retournez au bout de 25 minutes (pas besoin de retourner si elles sont fumées). Pressez pour vérifier si elles sont cuites.

DINDE FUMÉE:

Videz la dinde, rincez-la et épongez avec une serviette en papier. Placez les bouts des ailes sous le dos et nouez les jambes. Placez-les au centre de la grille de cuisson, directement au-dessus du bac de récupération d'eau en aluminium. Fumez pendant 12 minutes par poids d'une livre. Prévoyez plusieurs minutes supplémentaires par livre si c'est farci pour permettre l'expansion. Utilisez un thermomètre à viande pour obtenir les meilleurs résultats (190°F/190°C interne).

JAMBON CUIT FUMÉ :

Vous pouvez fumer du jambon en conserve entièrement cuit ou du jambon entier ou du jarret ou du mégot fumé et salé. Laissez reposer le glaçage pendant au moins 4 heures. Placez la grille du feu dans la position la plus basse et une lèchefrite sous la viande. Retirez la croûte et marquer le gras en diagonale pour créer un motif en losange. Insérez un clou de girofle entier au centre de chaque diamant. Placez le jambon avec le côté gras vers le haut au centre de la grille de cuisson directement au-dessus de la lèchefrite. Fermez le couvercle. Une cuisson d'environ 9 minutes par livre est suggérée pour un jambon entièrement cuit. Jambon fumé ou cru, qui n'est pas complètement cuit, doit être cuit à une température interne de 160°F. Arroser de glaçage au jambon 3 ou 4 fois pendant les 30 dernières minutes de cuisson. Garnir de rondelles d'ananas environ 15 minutes avant la fin de la cuisson.

HOT DOGS FUMÉS FARCIS:

Coupez les hot dogs en longueur, à 1/4 de pouce de chaque extrémité. Mettez dans les hot dogs du fromage, ajoutez du relish et enveloppez-les dans du bacon. Placez le tout sur la grille de cuisson au-dessus du bac d'égouttement et fumez pendant 15-20 minutes ou jusqu'à ce que le bacon soit croustillant.

CREVETTES & ÉCREVISSSES FUMÉES:

Mélangez dans un moule en aluminium 1/2 tasse de beurre, deux gousses d'ail écrasées. Du Tabasco, du poivron vert émincé, 1 cuillère à soupe d'oignon émincé, du sel et jus d'un citron. Ajoutez les crevettes et / ou les écrevisses et fumez pendant 45 minutes.

LÉGUMES FUMÉS:

Navets, pommes de terre, carottes, gombos, champignons, oignons pelés, courgettes, courges, etc. Mettez-les dans une casserole et couvrez avec de l'eau et faites cuire pendant plusieurs heures pendant que vous faites cuire la viande. Ou placez les légumes sur le gril et fumez pendant 50 minutes, enveloppés dans du papier d'aluminium ou non.

SHISH KEBAB MARINADE:

Mélangez: 1 tasse de sauce de soja, 1/2 tasse de sucre brun, 1/2 tasse de vinaigre, 1/2 tasse de jus d'ananas, 2 cuillères à café de sel, 1/2 cuillère à café de poudre d'ail. Mélanger les ingrédients et porter à ébullition. Faites mariner le bœuf dans le mélange pendant au moins 4 heures.

VENAISON FUMÉE:

Marinade de venaison: 1 tasse de vinaigre balsamique ou de vin, 1 tasse d'huile d'olive, 2 oz. de Worcestershire, 1/2 oz. de tabasco, 2 cuillères à soupe. Assaisonner tout 1-2 jalapenos hachés, 3 oz sauce soja. Marinade au Bacon: 2 oz. vinaigre de vin, 2 oz. Worcestershire, 4 tirets de tabasco Placez le gigot de venaison dans un récipient ou dans un "sac solide" et laissez mariner pendant 2 à 4 jours en le retournant tous les jours. Faites mariner le bacon pendant la nuit dans sa marinade. Retirez le rôti du réfrigérateur au moins une heure avant la cuisson. Assaisonnez généreusement avec du sel assaisonné et du poivre noir grossièrement moulu. Enroulez 1 lb de bacon sur le rôti et fumez pendant 20/25 minutes par livre ou jusqu'à ce qu'il devienne tendre. Ne pas trop cuire.

POISSON FUMÉ:

Faites mariner dans de la saumure (1/4 tasse dissous dans de l'eau) ou faites mariner le poisson dans 1 tasse de vin blanc, 1 tasse de sauce soja mélangée avec 1 tasse de jus de citron. Faites mariner toute la nuit dans un plat couvert au réfrigérateur. Laissez aérer sur la grille pendant 20 minutes avant de le placer sur le gril pulvérisé par Pam. Fumez pendant 25 minutes.

CÔTES LEVÉES / DE DOS FUMÉES:

Retirez la couche dure de la peau du dos. Frottez toutes les surfaces avec un assaisonnement. Placez les côtes au centre de la grille au-dessus du plateau d'égouttement et fumez environ pendant une heure et demie ou jusqu'à ce que la viande puisse être séparée de l'os. Badigeonnez de sauce barbecue pendant les 30 dernières minutes.

MARINADE DE POULET:

Mélangez: 1/2 tasse de sauce de soja, 1/4 tasse d'huile végétale, 1/4 tasse de vinaigre de vin rouge, 1 cuillère à café d'origan, 1/2 cuillère à café de basilic, 1/2 cuillère à café de poudre d'ail avec du persil, 1/4 cuillère à café de poivre. Versez le tout sur les morceaux de poulet dans un plat non métallique. Recouvrez et réfrigérez toute la nuit, en tournant de temps en temps. Utilisez la marinade pour arroser le poulet pendant la cuisson.

MARINADE DE VIANDE: (pour les steaks, côtelettes et hamburgers) Mélangez: 1/4 tasse de sauce de soja, 2 gros oignons hachés grossièrement, 2 gousses d'ail (coupées en deux). Mélangez les ingrédients dans un mélangeur électrique, recouvrez et passez à grande vitesse pendant 1 minute ou jusqu'à ce que le mélange soit très lisse. Incorporez 1/4 de tasse de jus colorant (Kitchen Bouquet et Gravy Master) et 2 cuillères à thé d'assaisonnement Beau Monde (ou remplacez avec 1 cuillère à café de MSG et 1 cuillère à café de sel assaisonné). Laissez la viande reposer dans la marinade à la température ambiante pendant 2 heures ou la réfrigérer jusqu'à 24 heures dans un plat couvert. Amenez la viande à la température ambiante avant la cuisson.

Merci d'avoir acheté ce barbecue au charbon **FEASTO**[®]. Nous sommes ici pour vous aider à maximiser votre plaisir et votre appréciation de votre nouveau gril.

Le FEASTO garantit à l'acheteur initial, et uniquement celui-ci, que le produit est exempt de tout défaut de matériel et de main-d'œuvre, dans la mesure où il a été assemblé correctement, qu'il est utilisé de façon normale et entretenu de la façon recommandée. La garantie de FEASTO ne couvre pas la finition de peinture, car elle peut brûler au cours d'un usage normal. La rouille n'est pas considérée comme un défaut de fabrication ou de matériaux.

Durant la période de garantie déclarée, FEASTO, à sa discrétion, remplacera gratuitement tout composant défectueux, le propriétaire étant responsable des frais de transport. FEASTO se réserve le droit d'exiger que les pièces défectueuses soient retournées, en port et/ou en fret prépayé par le consommateur pour examen et examen. En cas de problèmes de disponibilité des pièces, FEASTO se réserve le droit de remplacer des pièces similaires qui sont également fonctionnels. À l'expiration de la garantie, toute responsabilité et obligation en découlant cessera.

Remarque: Cette garantie limitée n'est disponible que pour l'original propriétaire du produit et n'est pas transférable. Un reçu de vente daté avec le numéro de modèle et le numéro de série sera nécessaire pour le service de garantie.

Cette garantie limitée ne vous remboursera pas le coût des inconvénients, de la nourriture, des blessures corporelles ou des dommages matériels. Toute couverture de garantie est nulle si ce appareil de cuisson est utilisé à des fins commerciales ou de location. Cette garantie limitée s'applique **UNIQUEMENT** au fonctionnement du produit et ne couvre pas les rayures, les bosses, la corrosion ou la décoloration causées par la chaleur, les nettoyants abrasifs et chimiques, ou par les outils utilisés dans l'assemblage ou l'installation de l'appareil, l'oxydation des surfaces ou décoloration des surfaces en acier inoxydable

CE QUI N'EST PAS COUVERT PAR LA GARANTIE

Toutes défaillances ou difficultés au niveau du fonctionnement causées par un accident, l'abus, une mauvaise utilisation, une modification, une mauvaise application, le vandalisme, une mauvaise installation, l'entretien/le service incorrect, ou un manquement à fournir l'entretien régulier, y compris sans limitations les dommages causés par les insectes dans les brûleurs, tel qu'indiqué dans le guide de l'utilisateur. La détérioration ou les dommages causés par les intempéries telles que la grêle, les ouragans, les tremblements de terre ou les tornades, la décoloration suite à l'exposition directe ou indirecte aux produits chimiques.

Coûts d'expédition ou de transport.

Coûts des appels de service.

Coûts d'enlèvement ou de réinstallation.

La collecte et la livraison de votre produit.

Coûts de main d'œuvre pour l'installation et les réparations.

Responsabilité pour les dommages indirects ou consécutifs.

Cette garantie limitée tient lieu de garantie unique offerte par FEASTO et remplace toute autre garantie expresse ou implicite, y compris toute garantie implicite d'aptitude à la commercialisation ou d'adaptation à un usage particulier. Ni FEASTO ni le détaillant qui vend ce produit ne sont autorisés à fournir des garanties ou à promettre quoi que ce soit qui dépasse ou qui contredit ce qui est énoncé ci-dessus.

La responsabilité maximale de FEASTO, dans tous les cas, ne peut dépasser le prix d'achat de l'article payé par le consommateur ou l'acheteur d'origine.

Certains États et certaines provinces ne permettent pas l'exclusion ni la limitation de dommages directs ou indirects. Par conséquent, les exclusions ou limitations indiquées ci-dessus peuvent ne pas vous être applicables.

Ne retournez aucune pièces sans avoir préalablement obtenu l'autorisation de retour de notre service clientèle.

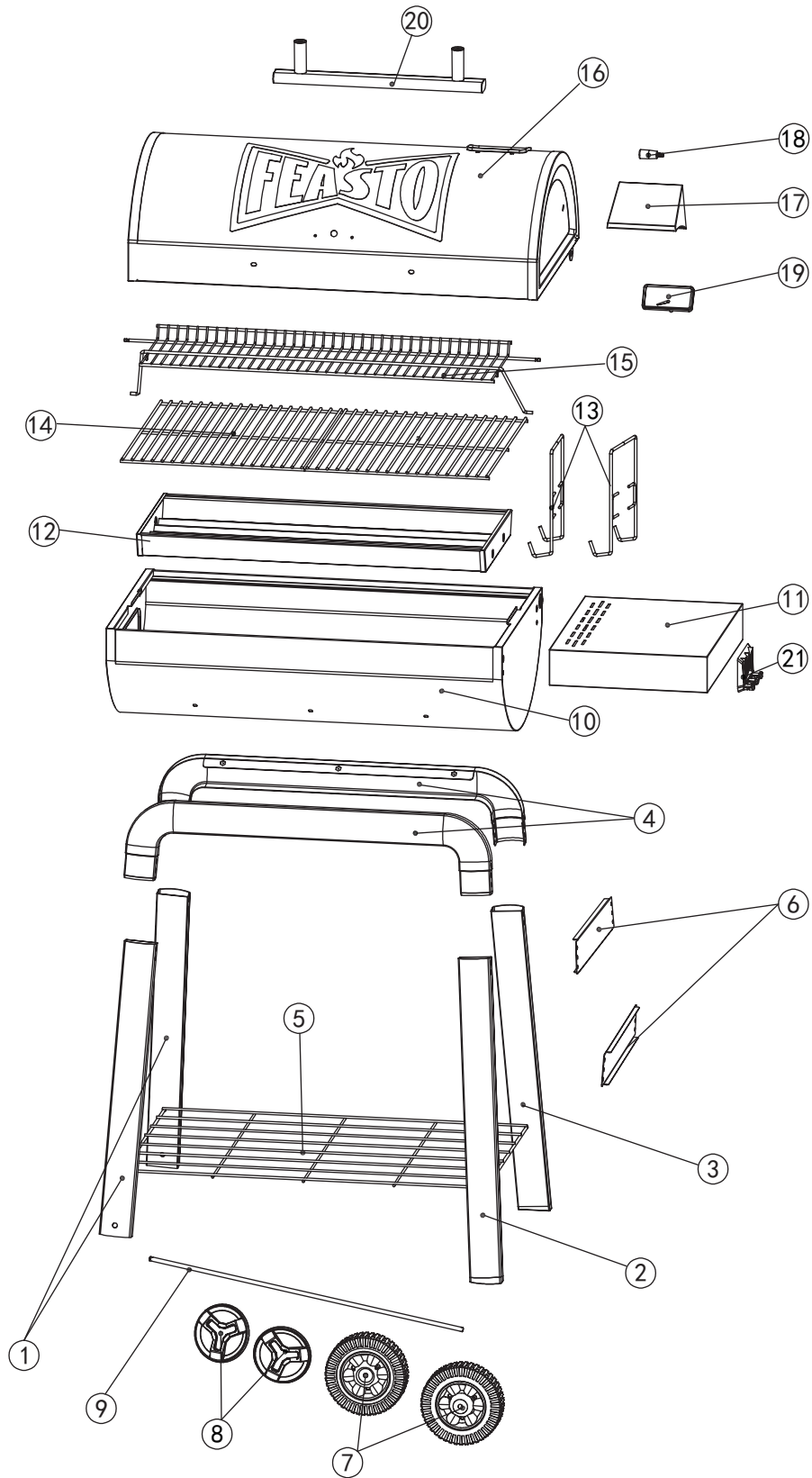
N'hésitez pas à contacter notre service de clientèle si vous avez des questions concernant l'assemblage, la garantie ou les accessoires. Nous serons heureux de vous proposer les pièces de rechange dont vous avez besoin pendant la période de garantie.
















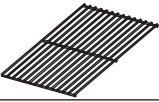


service@feastooutdoors.com

















Du lundi au vendredi, de 8 h 30 à 17 h 30, HNE



Parts and Hardware List / Lista de piezas y hardware / Liste des pièces et du matériel

No.	Image / Imagen / l' image	QTY / CANT. / QTÉ
1		2
2	RF 	1
3	RB 	1
4		2
5		1
6		2
7		2
8		2
9		1
10		1
11		1
12		1
13		2
14		2
15		1
16		1

No.	Image / Imagen / l' image	QTY / CANT. / QTÉ
17		1
18		2
19		1
20		1
21		1

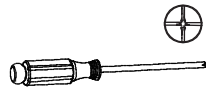
No.	Image / Imagen / l' image	QTY CANT. QTÉ
A	  M5 X 10	26
B	  M6 X 12	7
D1		2
D2		3
E	  M4 X 8	9
G		3



TOOLS REQUIRED / HERRAMIENTAS REQUERIDAS / OUTILS REQUIS

Description / Descripción / Description

Phillips screwdriver
Destornillador phillips
Tournevis phillips



Wrench
Llave
Clé



Before beginning assembly, make sure all parts are present. If any parts are missing or damaged, do not attempt to assemble the products. Contact customer service for replacement parts via telephone or email.

- Tools needed (not included): Phillips screwdriver
- Approximate assembly time: 25 minutes
- Note: The right and left sides of the griddle are designed as if you are facing the front of the griddle.

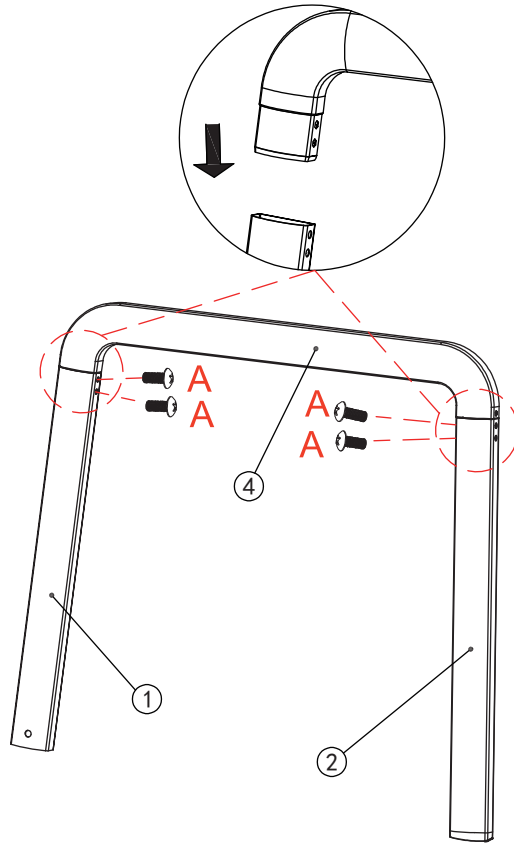
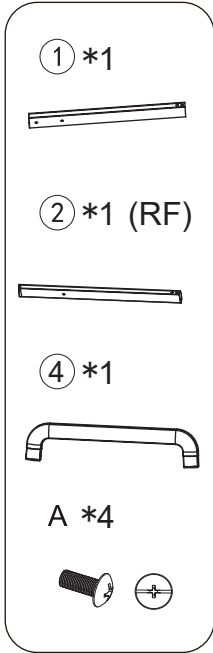
Antes de comenzar el montaje, asegúrese de que todas las piezas estén presentes. Si falta alguna pieza o está dañada, no intente ensamblar los productos. Póngase en contacto con el servicio de atención al cliente para obtener piezas de repuesto por teléfono o correo electrónico.

- Herramienta necesaria (no incluido): Destornillador phillips
- Tiempo aproximado de ensamblaje: 25 minutos
- Nota: Los lados derecho e izquierdo de la plancha están diseñados como si estuvieras frente a la parte delantera de la plancha.

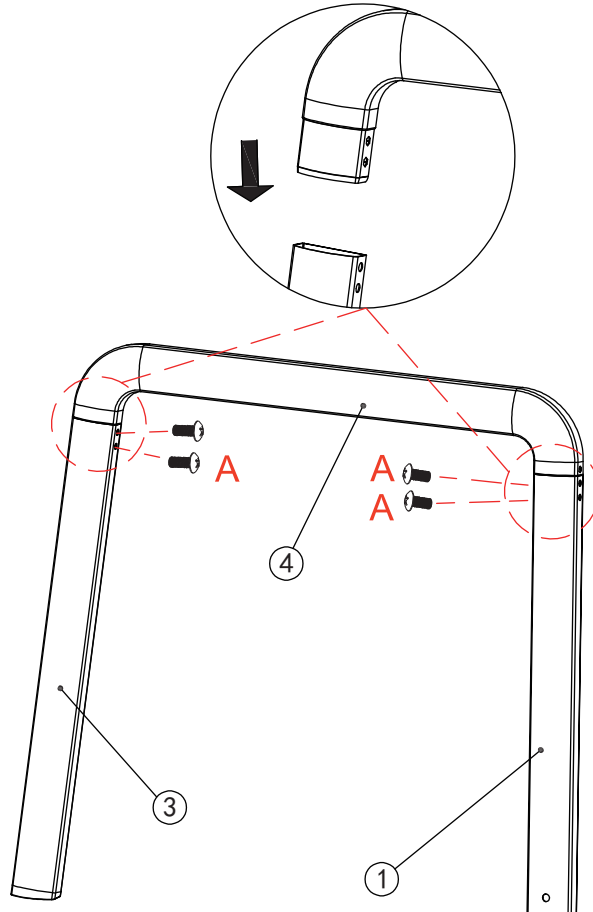
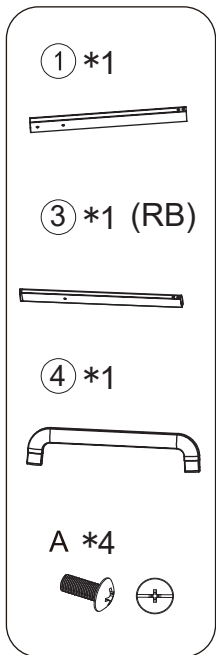
Avant de commencer l'assemblage, assurez-vous que toutes les pièces sont présentes. Si des pièces sont manquantes ou endommagées, n'essayez pas d'assembler les produits. Contactez le service de clientèle pour les pièces de rechange par téléphone ou par e-mail.

- Outils nécessaires (non inclus): Tournevis phillips
- Temps nécessaire pour l'assemblage: 25 minutes
- Remarque: les côtés droit et gauche du plaque de cuisson sont concus comme si vous faisiez face à l'avant du plaque de cuisson.

1




2

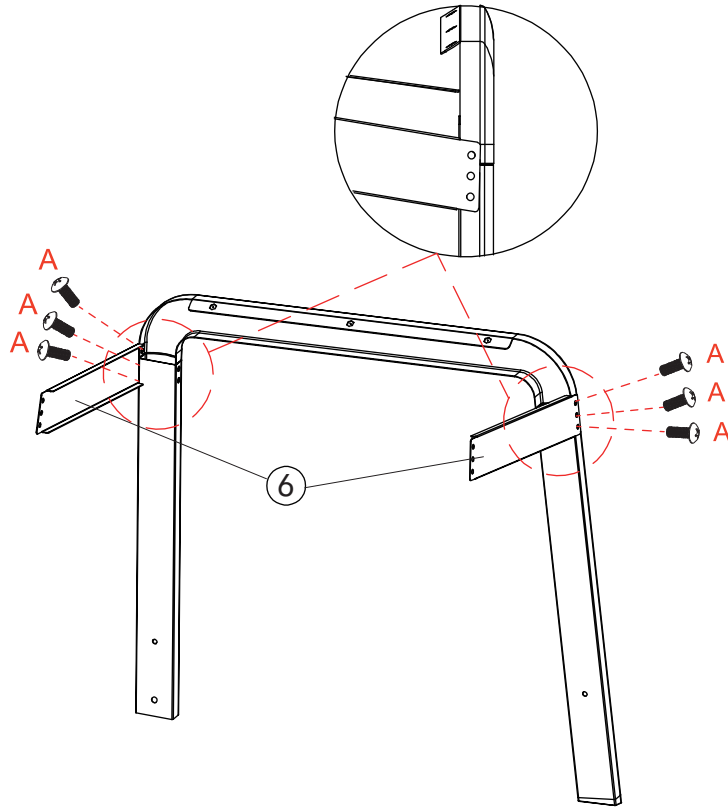



3

⑥ *2

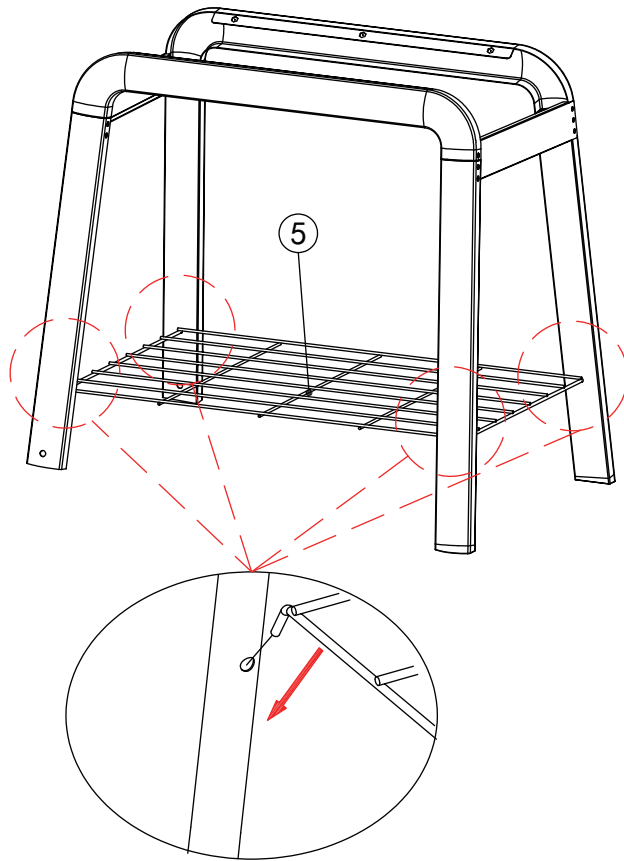
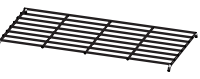


A *6




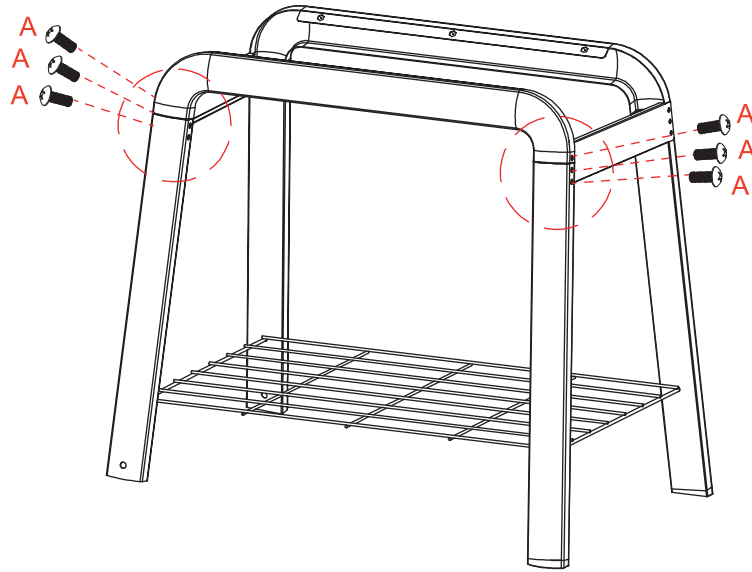
4

⑤ *1




5

A *6





6


7 *2




8 *2




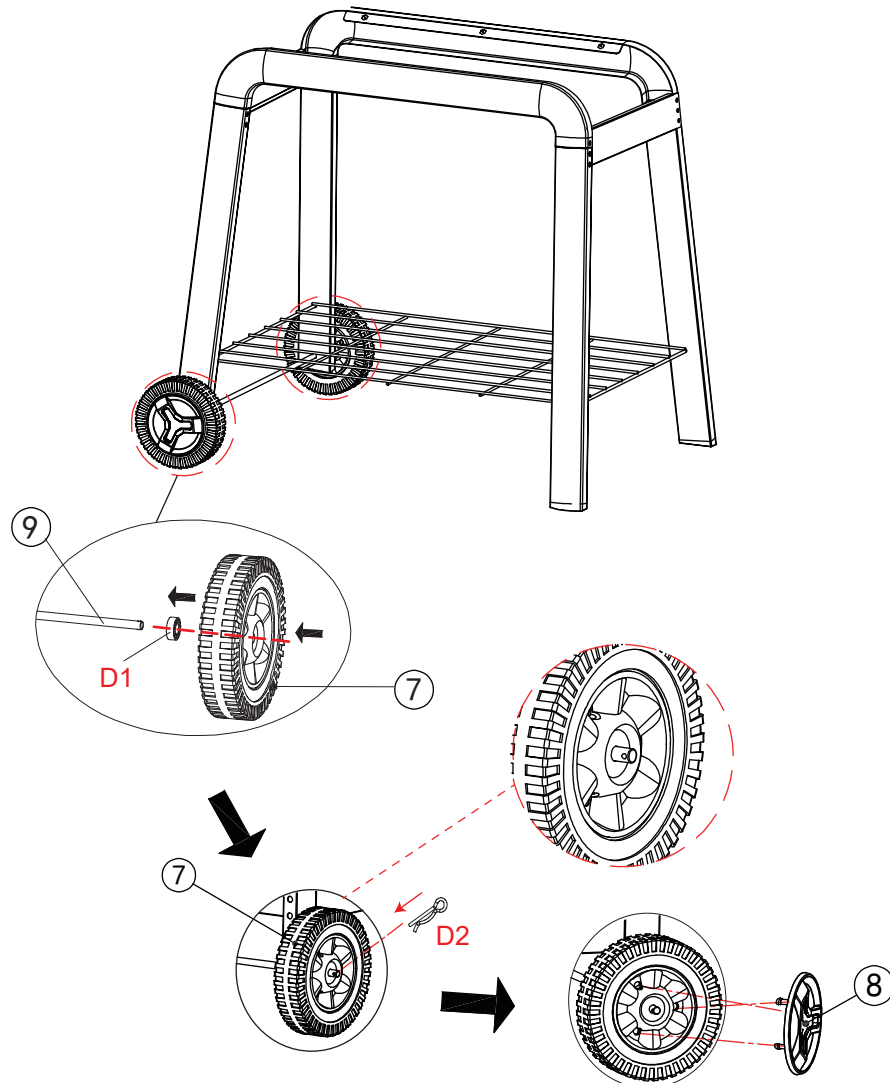
9 *1



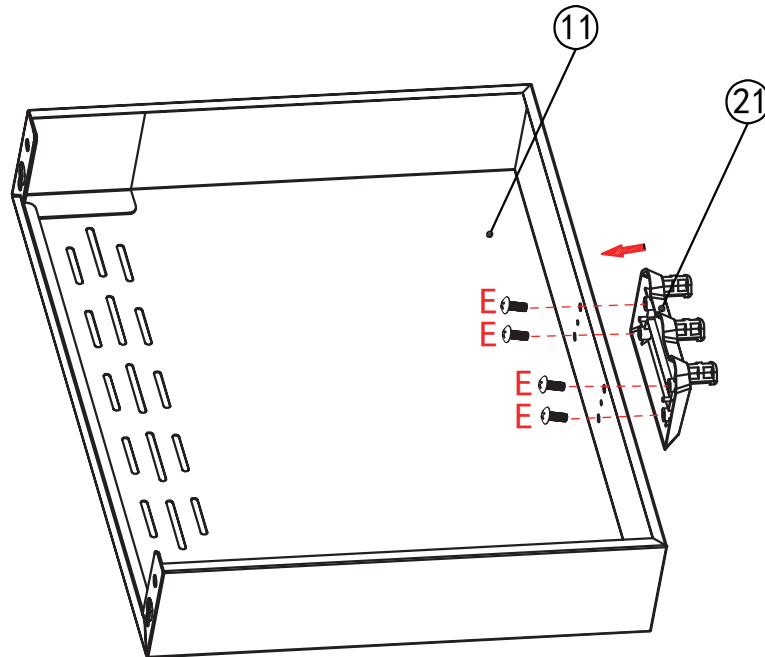
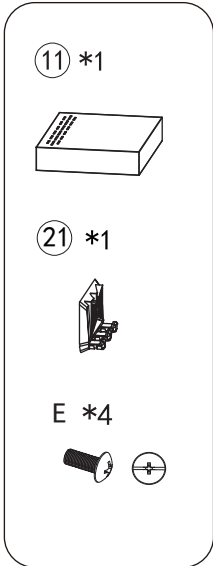
D1 *2



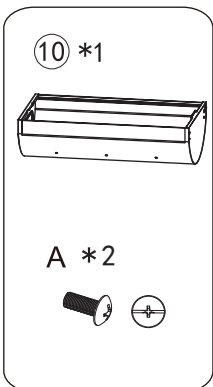
D2 *2

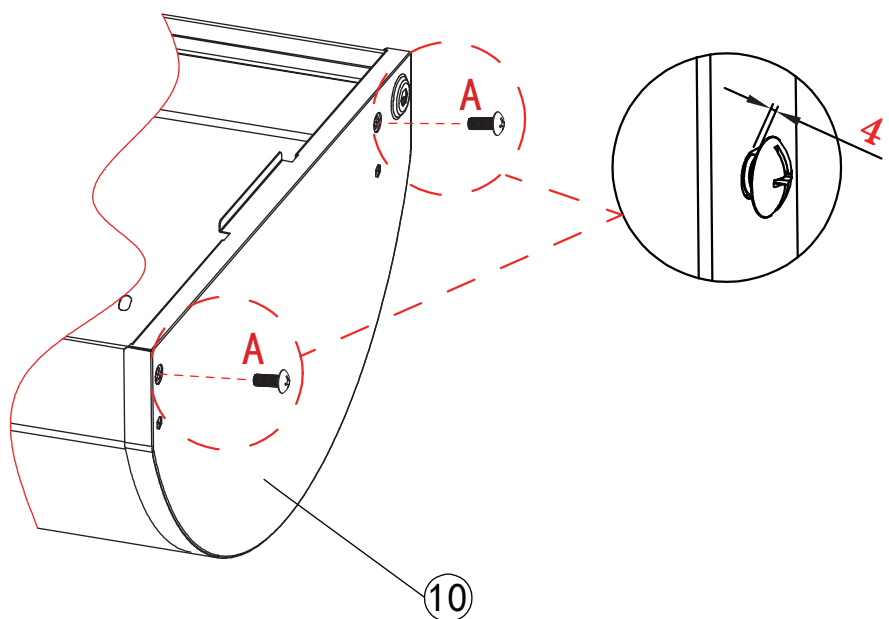
7



8

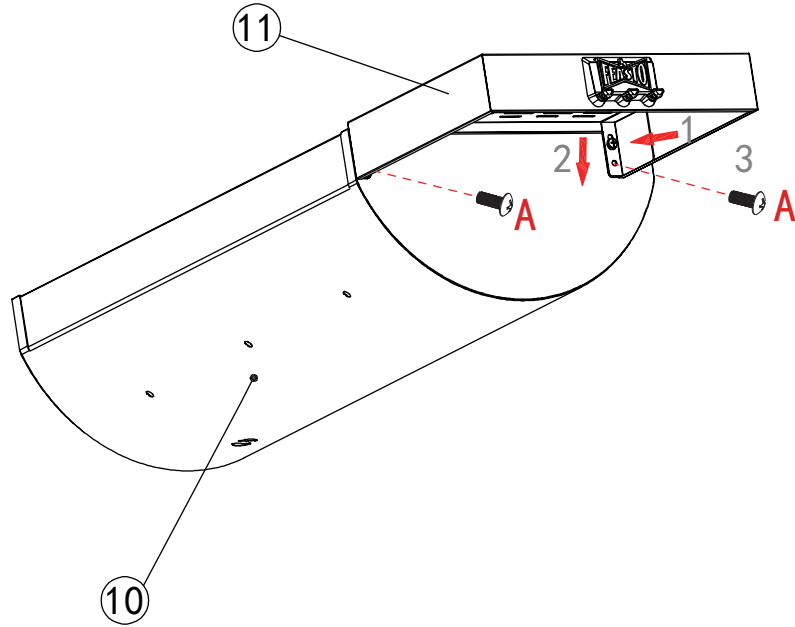
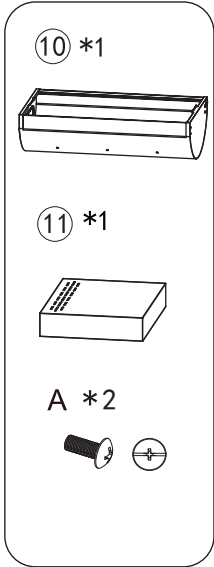


Hand tighten 2 bolts A to the lower barrel.

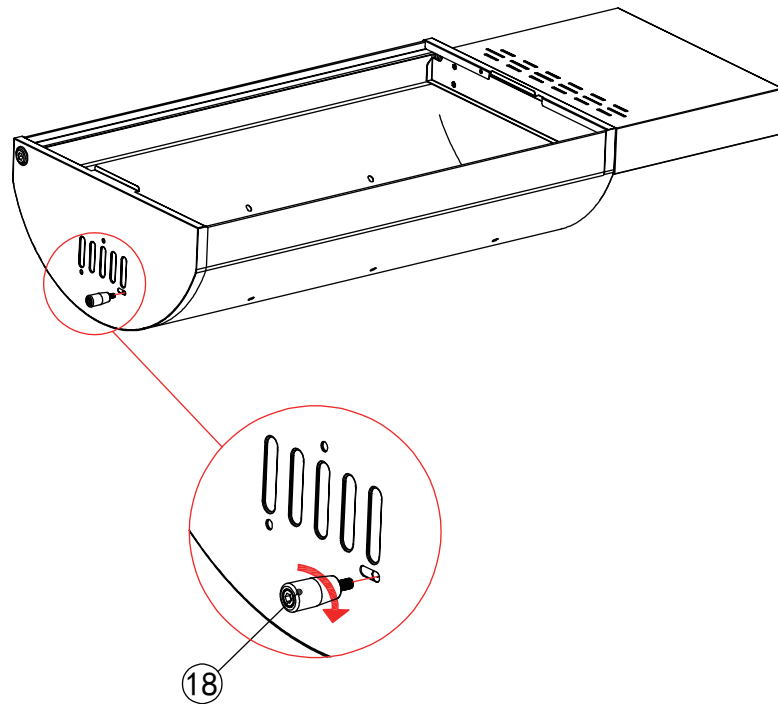
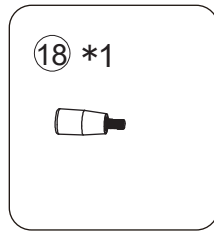


9

Assemble the side table to the lower barrel by hanging it to 2 bolts A. Then tighten them. Secure side table by another 2 bolts A.

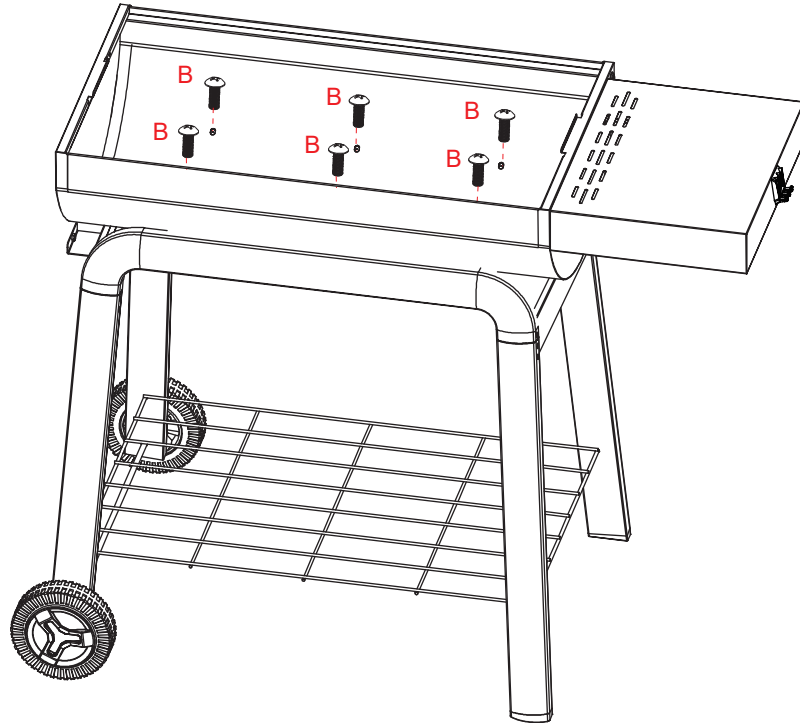


10



11

B *6

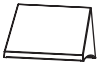


12

16 *1



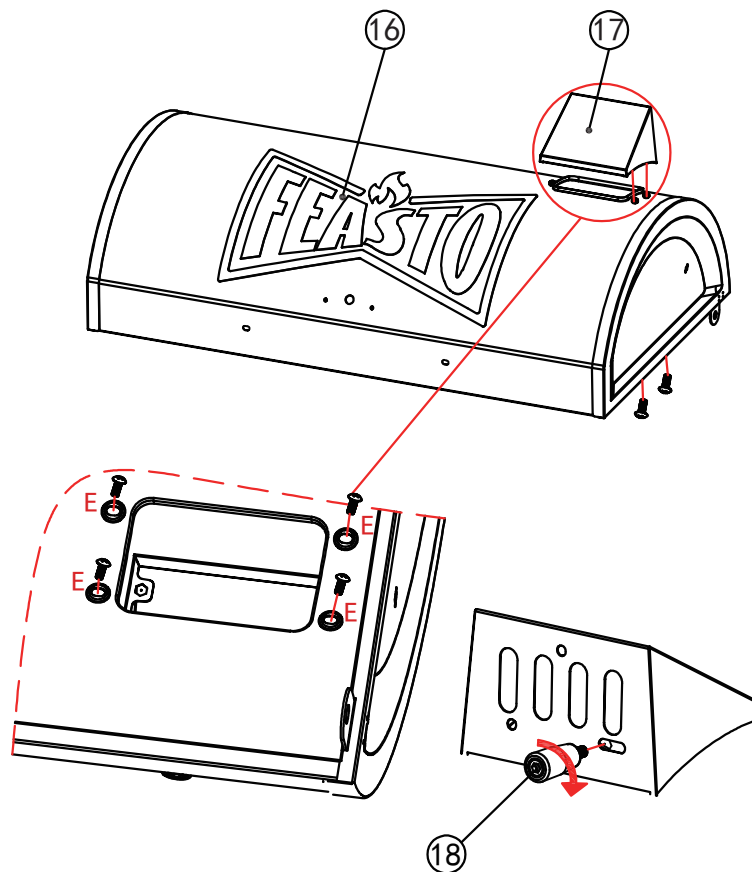
17 *1



18 *1

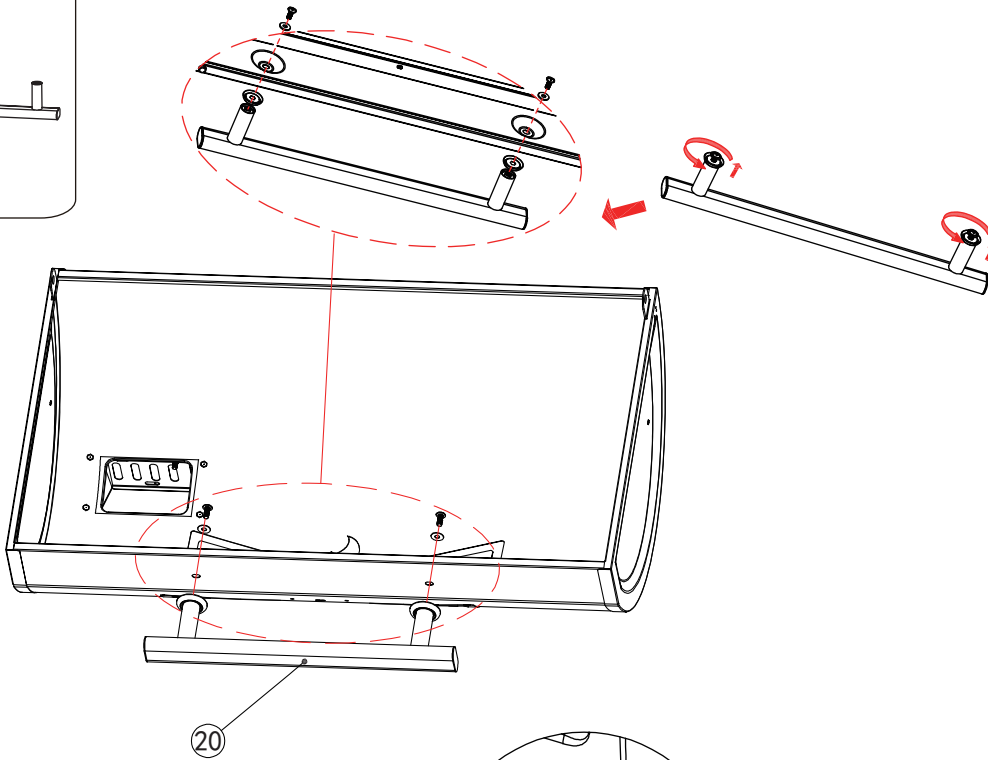
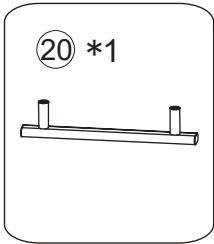


E *4

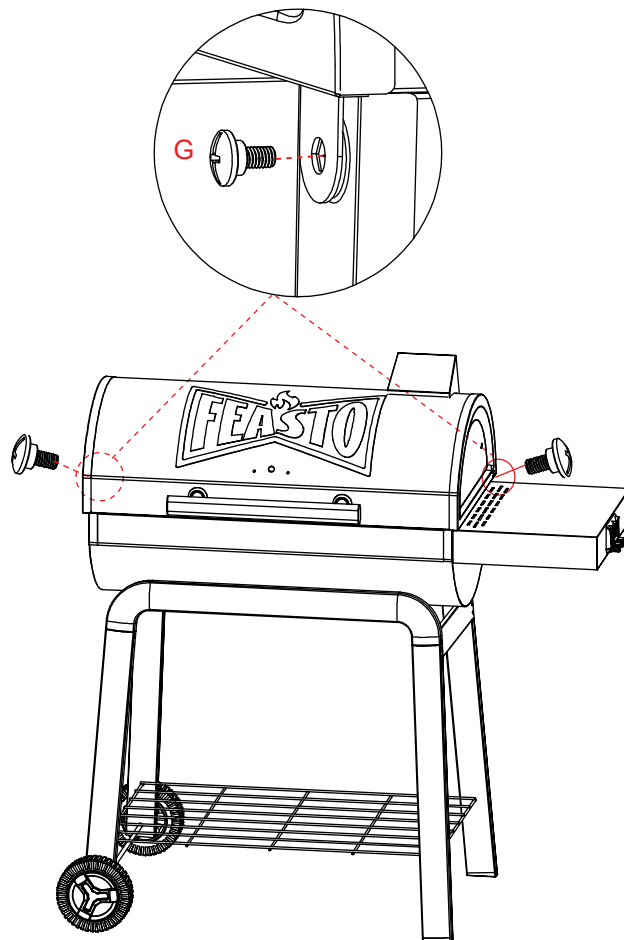
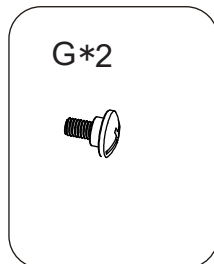


13

Loosen the bolts and nuts that pre-assembled on the handle. Then install the handle to the lid as shown.



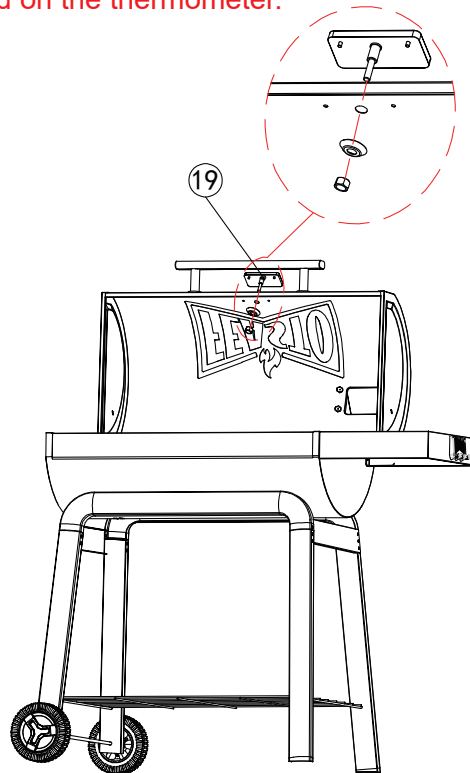
14



15

Please note: the nut and washer have been pre-assembled on the thermometer.

19 *1

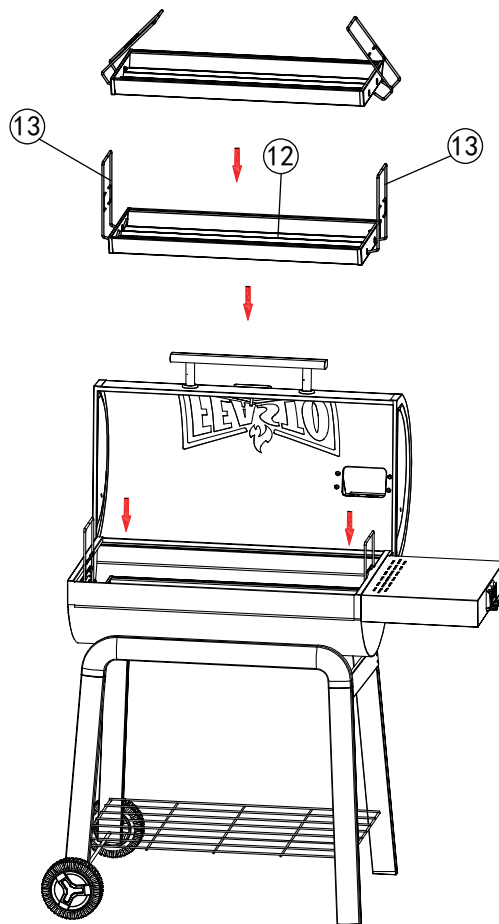


16

12 *1

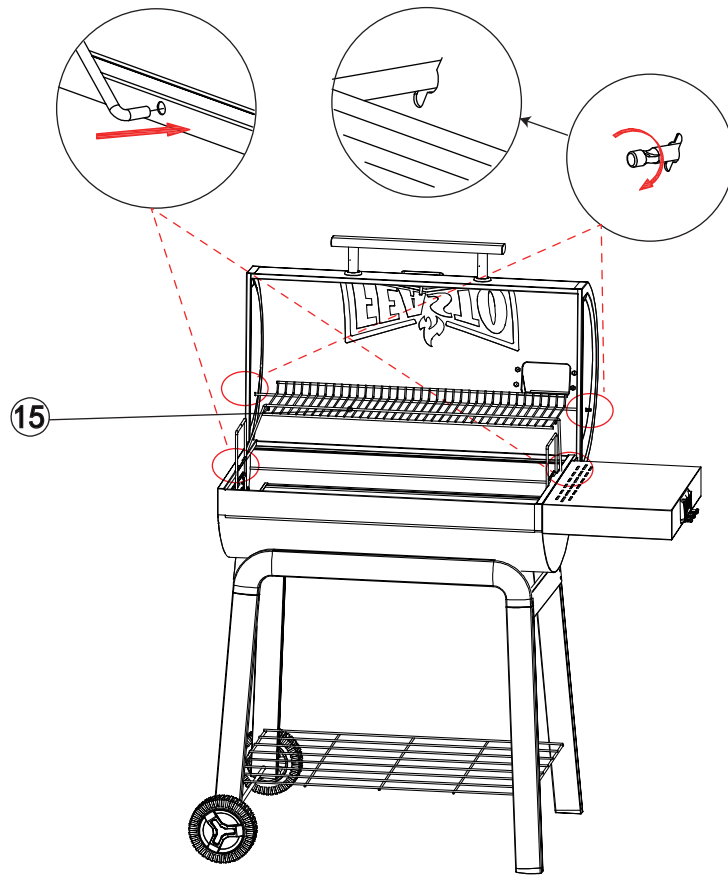
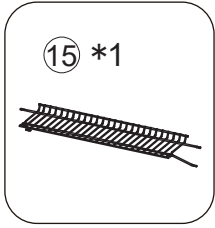


13 *2



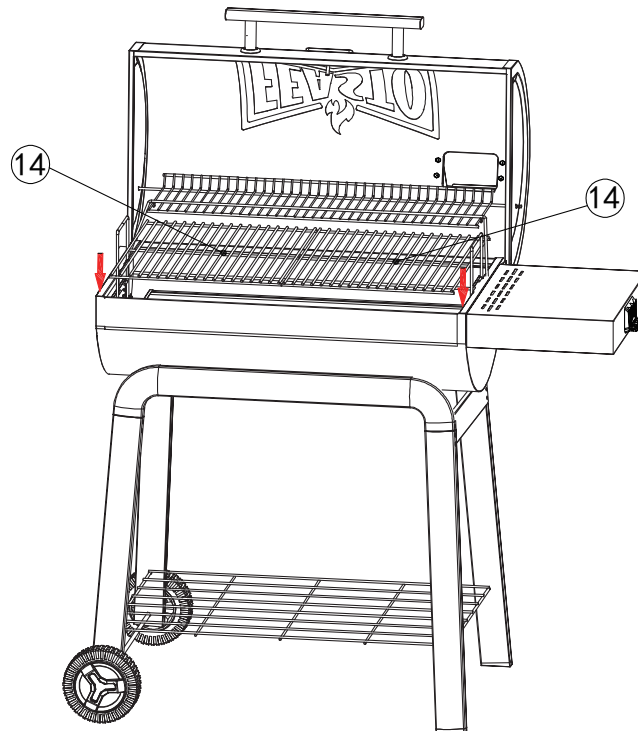
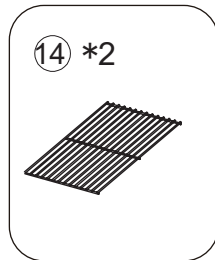
17

15 *1

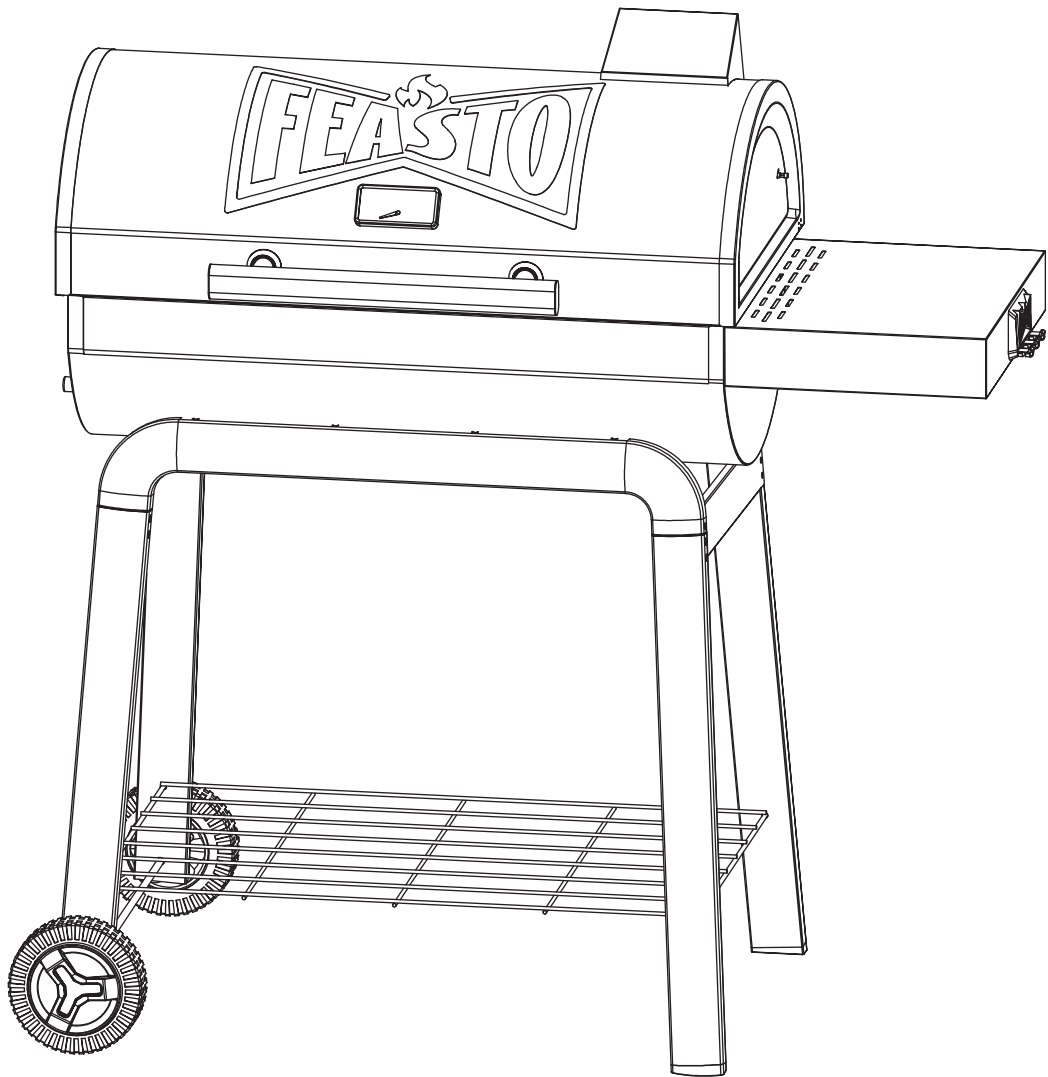


18


14 *2



Fully Assembly





 service@feastooutdoors.com

 Mon-Fri, 8:30 AM-5:30 PM, EST

www.feastooutdoors.com