

# ASSEMBLY INSTRUCTIONS

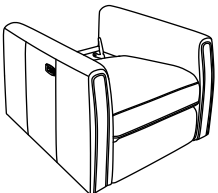
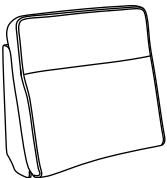
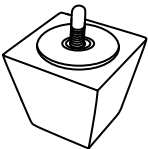
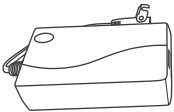
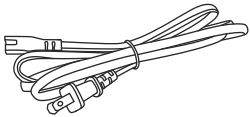
## POWER RECLINING CHAIR, ROUNDED TRACK ARMS

### WARNING:

- Keep hands, feet, and children away from moving parts.
- Ensure the area behind and under the chair is clear before operating.
- Do not allow children to operate the recliner.

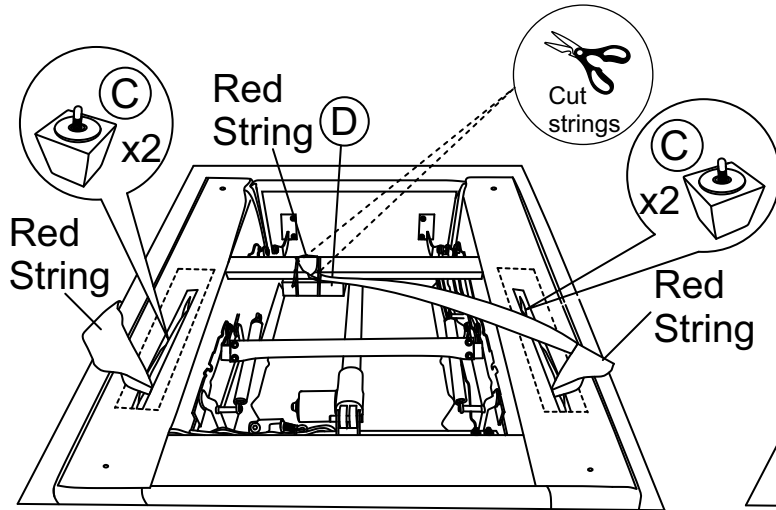
**Note:** Do not use power tools for assembly. Power tools increase the risk of over-tightening, which may lead to splitting or cracking the wood.

### COMPONENT LIST

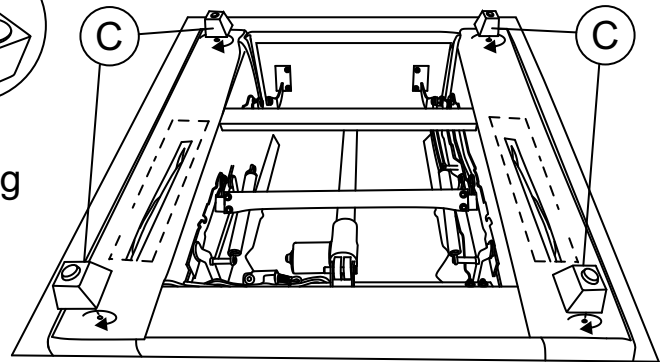
NO.	DRAWING	Q.TY	DESCRIPTION
A		1PC	SEAT BASE
B		1PC	BACK REST
C		4PCS	WOODEN LEG (60*60*72mm)
D		1PC	ADAPTER
E		1PC	POWER CORD

Please follow the drawings below to assemble the item.

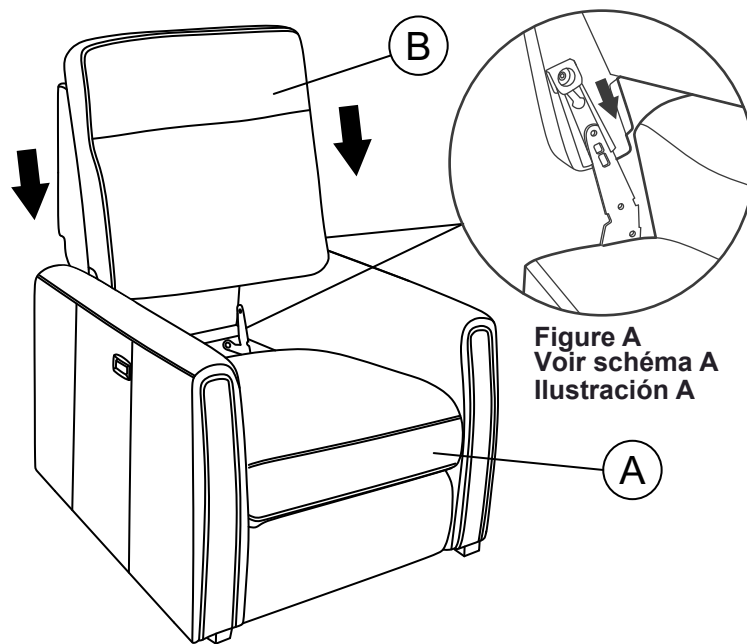
Step 1.



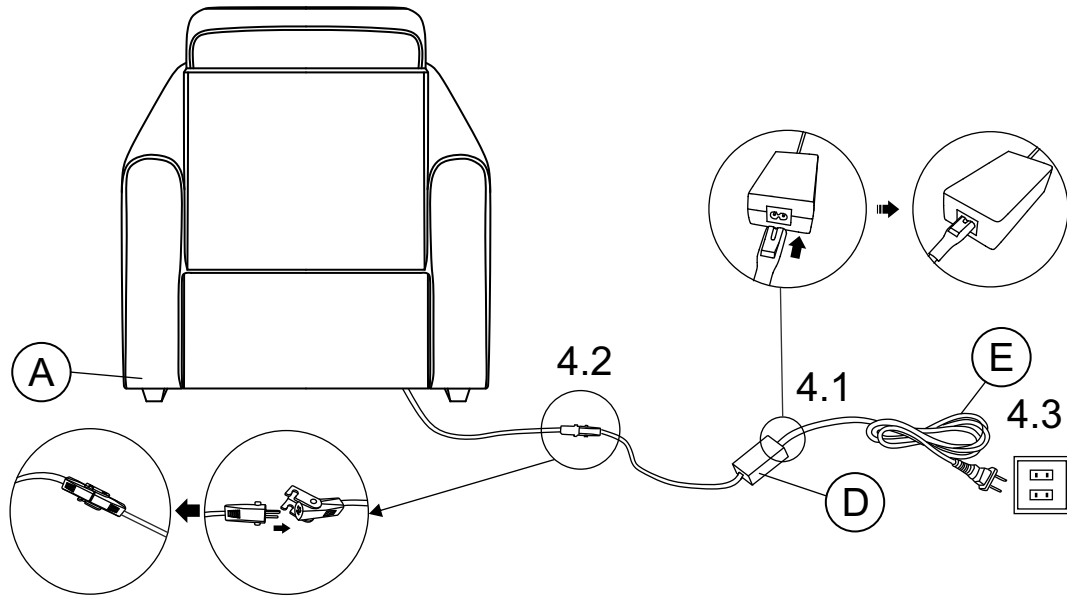
Step 2.



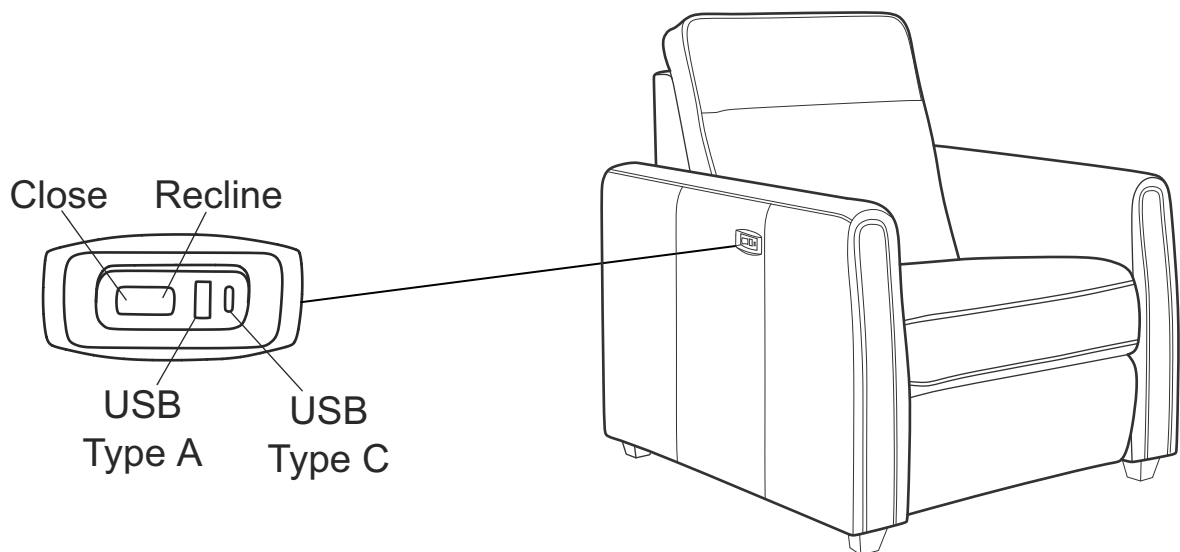
Step 3.



## Step 4. Power Connection.



## Step 5.



### CARE INSTRUCTIONS FOR AIR LEATHER:

To maintain the original appearance of your fabric furniture, please follow the simple care procedures below:

- Avoid exposing furniture directly to sunlight or heating and air conditioning outlets. Exposure to sunlight or heating and air conditioning outlets will fade/damage fabric.
- Wipe gently with a damp soft cloth to remove dust, dirt and any grime build up.

**!** It is recommended to install protective pads under all legs and supports to avoid damage or scratches when placing furniture on a wood floor or other hard surface, and to limit indentation and prevent discoloration if placing on carpet.

**PLEASE KEEP ASSEMBLY INSTRUCTION FOR FUTURE REFERENCE**

# ASSEMBLY INSTRUCTIONS

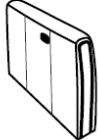
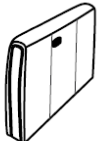
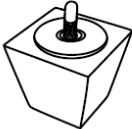
2 ARMS OF LEFT SIDE & RIGHT SIDE POWER RECLINING CHAIR, ROUNDED TRACK ARMS  
 2 ARMS OF LEFT SIDE & RIGHT SIDE POWER RECLINING CHAIR, CURVED TRACK ARMS

## WARNING:

- Keep hands, feet, and children away from moving parts.
- Ensure the area behind and under the chair is clear before operating.
- Do not allow children to operate the recliner.

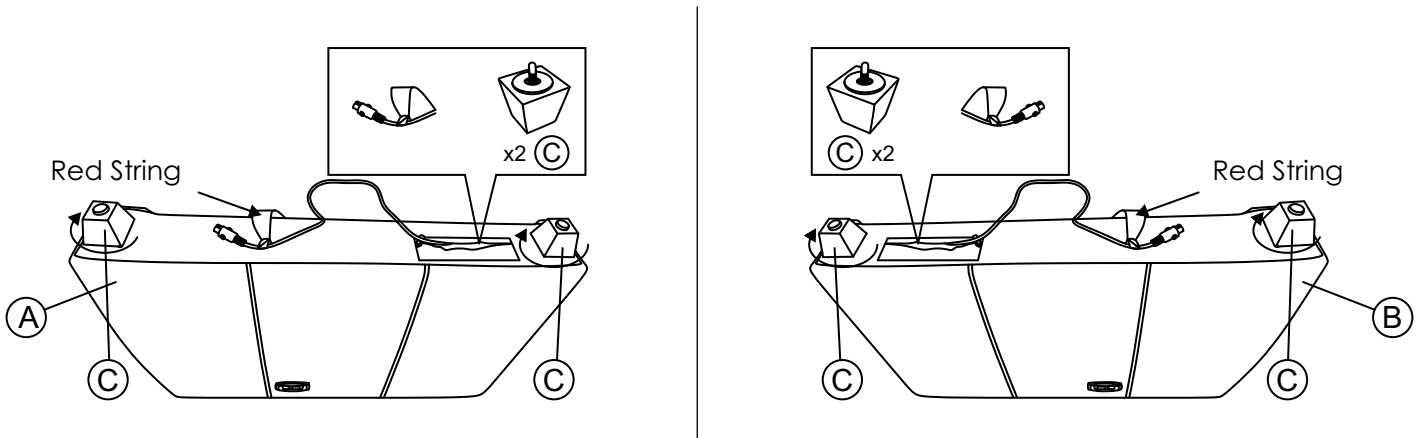
**Note:** Do not use power tools for assembly. Power tools increase the risk of over-tightening, which may lead to splitting or cracking the wood.

## COMPONENT LIST

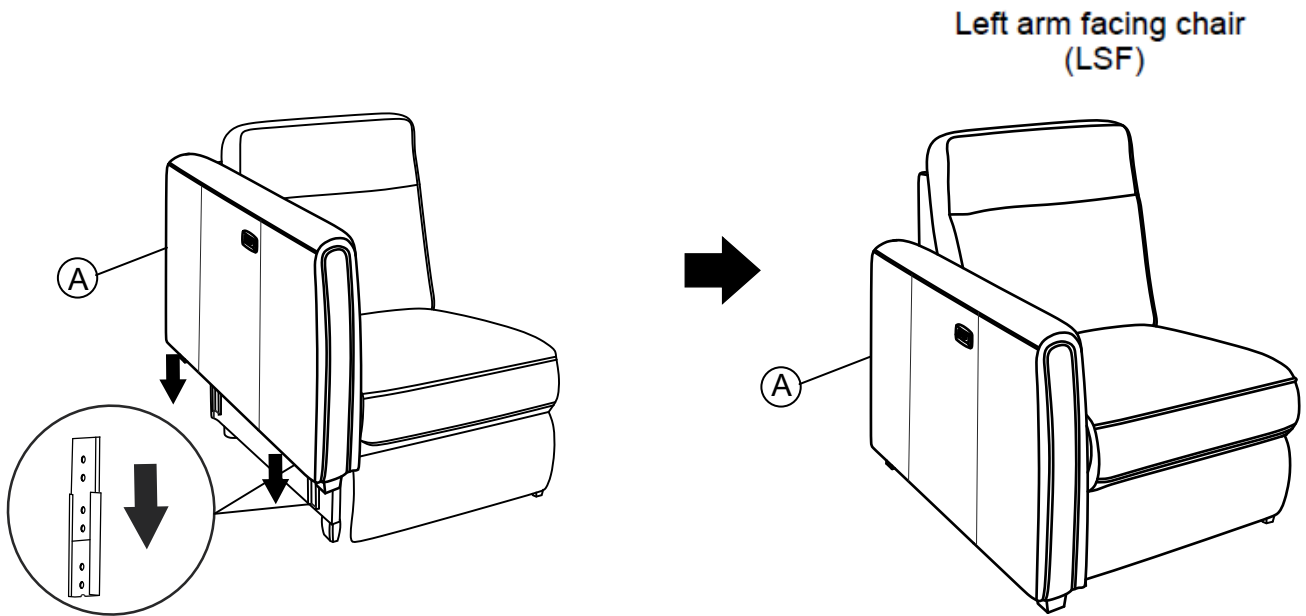
NO.	DRAWING	Q.TY	DESCRIPTION
A		1PC	LEFT SIDE ARM
B		1PC	RIGHT SIDE ARM
C		4PCS	WOODEN LEG (60*60*72mm)

Please follow the drawings below to assemble the item.

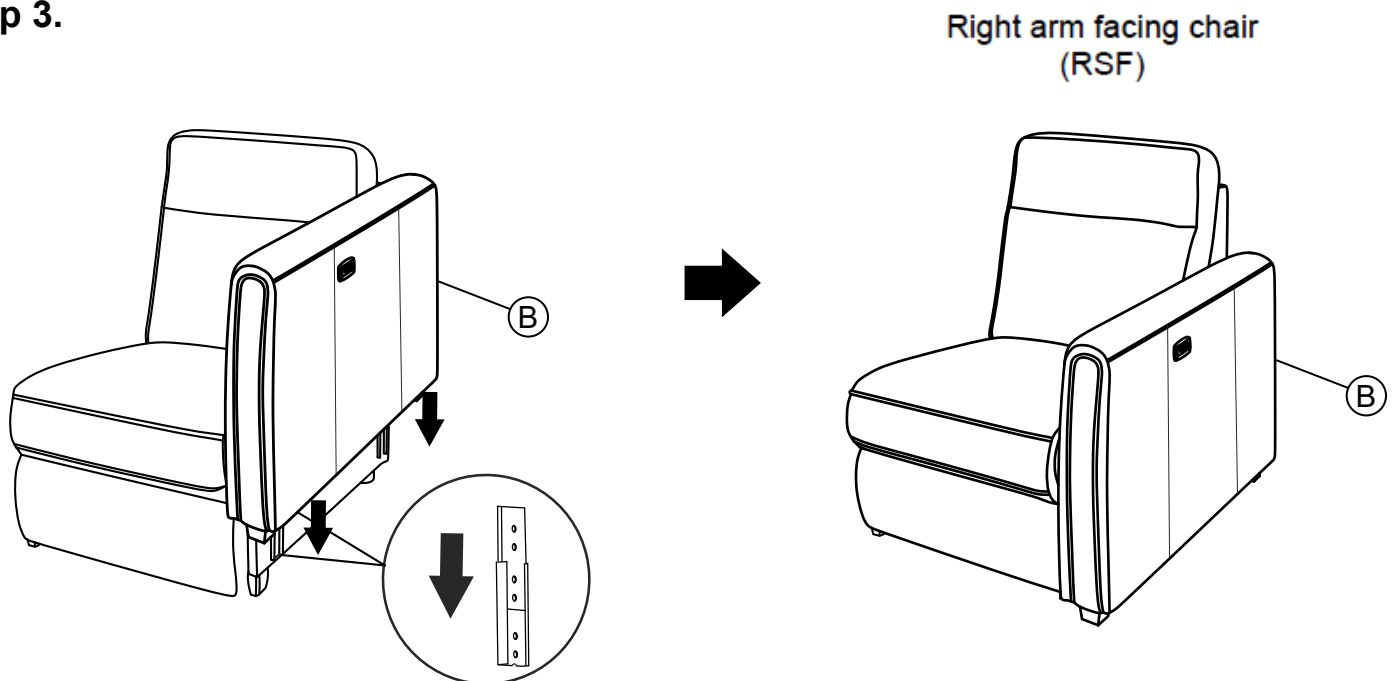
### Step 1.



## Step 2.



## Step 3.



### CARE INSTRUCTIONS FOR AIR LEATHER:

To maintain the original appearance of your fabric furniture, please follow the simple care procedures below:

- Avoid exposing furniture directly to sunlight or heating and air conditioning outlets. Exposure to sunlight or heating and air conditioning outlets will fade/damage fabric.
- Wipe gently with a damp soft cloth to remove dust, dirt and any grime build up.

**!** It is recommended to install protective pads under all legs and supports to avoid damage or scratches when placing furniture on a wood floor or other hard surface, and to limit indentation and prevent discoloration if placing on carpet.

**PLEASE KEEP ASSEMBLY INSTRUCTION FOR FUTURE REFERENCE**

# ASSEMBLY INSTRUCTIONS





## POWER LEFT SIDE RECLINING CHAIR 2 BACKRESTS OF LEFT SIDE AND RIGHT SIDE POWER RECLINING CHAIRS







### WARNING:

- Keep hands, feet, and children away from moving parts.
- Ensure the area behind and under the chair is clear before operating.
- Do not allow children to operate the recliner.

**Note:** Do not use power tools for assembly. Power tools increase the risk of over-tightening, which may lead to splitting or cracking the wood.

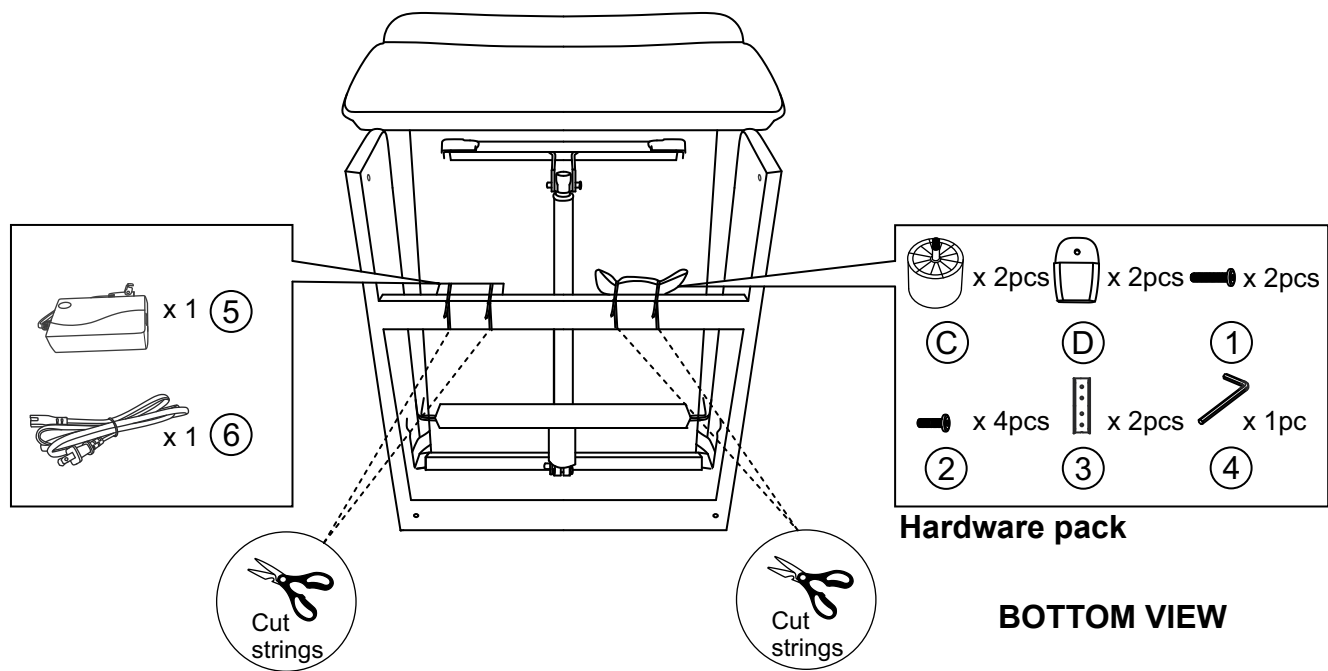
### COMPONENT LIST

NO.	DRAWING	Q.TY	DESCRIPTION
A		1PC	SEAT BASE
B		1PC	BACK REST ITEM NO: 8368BRW-B, 8368NVY-B (in the other carton)
C		2PCS	PLASTIC LEG (Ø60*80mm)
D		2PCS	PLASTIC LEG (30*60*90mm)

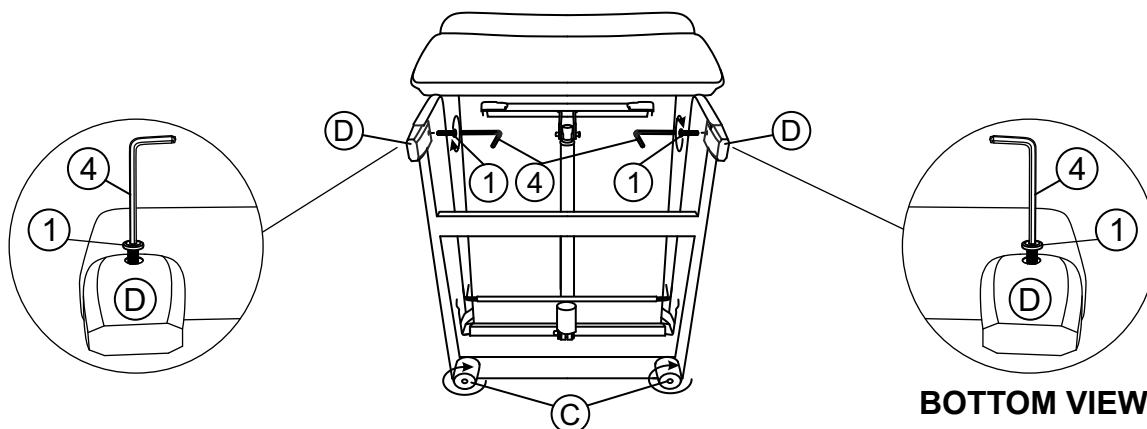
NO.	DRAWING	Q.TY	DESCRIPTION
1		2PCS	BOLT (1/4*25)
2		4PCS	BOLT (1/4*20)
3		2PCS	METAL PLATE
4		1PC	ALLEN KEY (4/23")
5		1PC	ADAPTER
6		1PC	POWER CORD

# Please follow the drawings below to assemble the item.

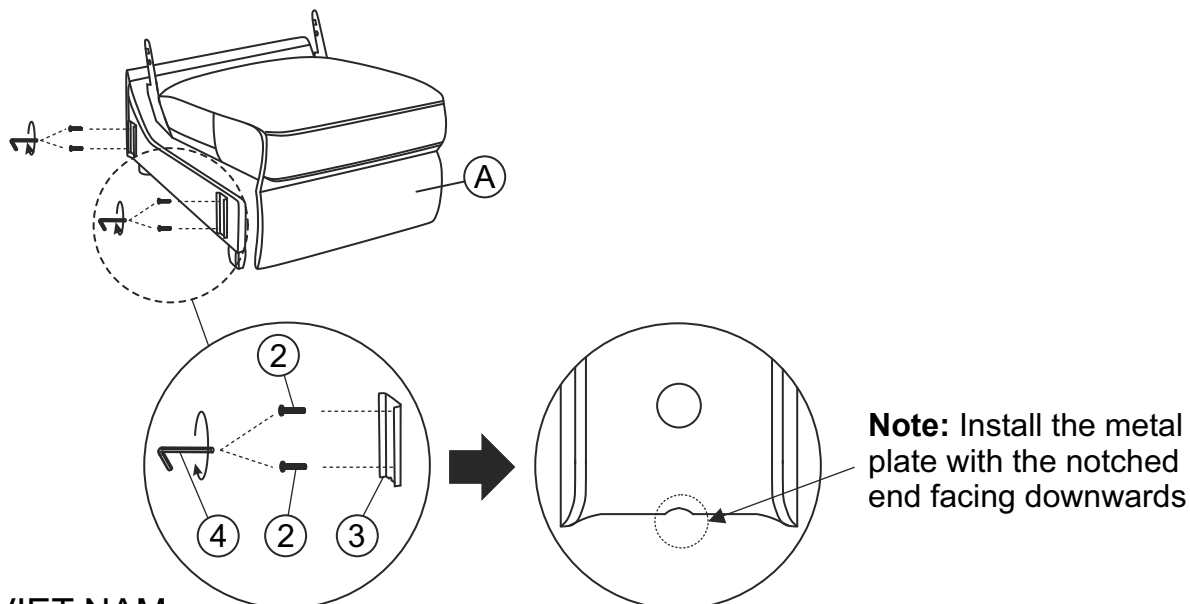
## Step 1.



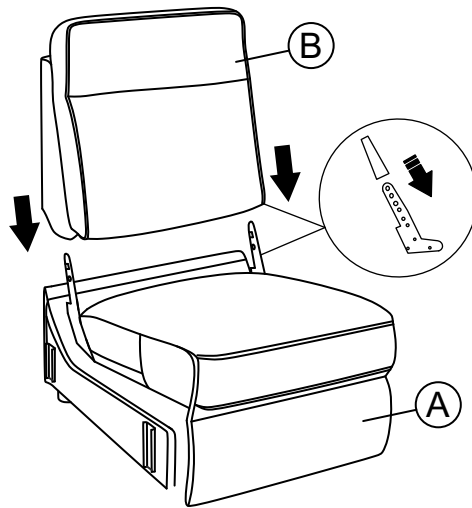
## Step 2.



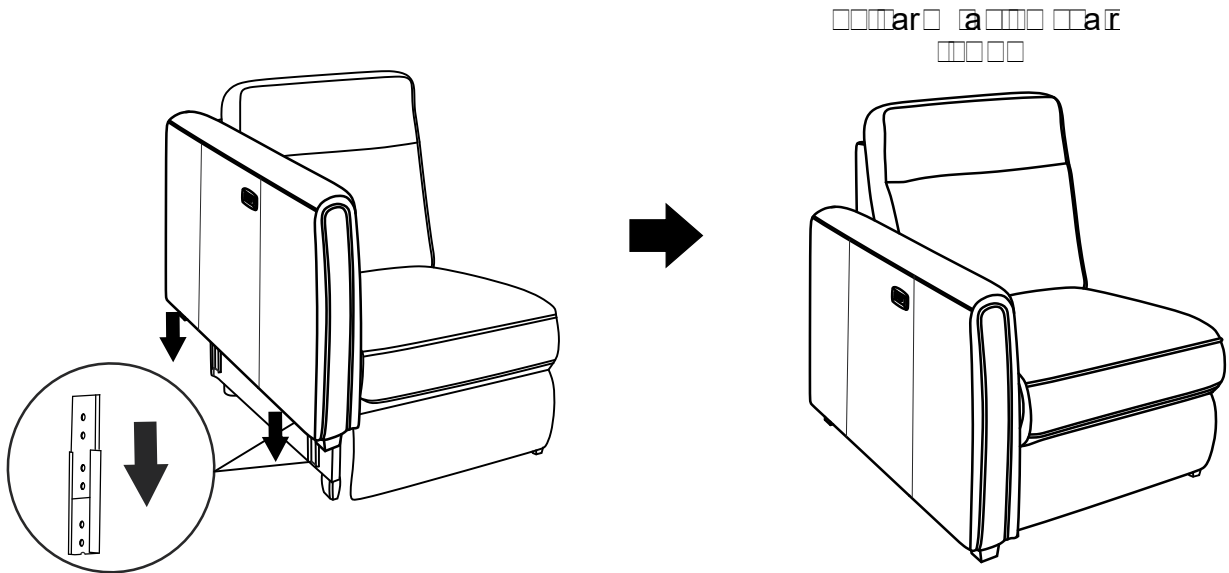
## Step 3.



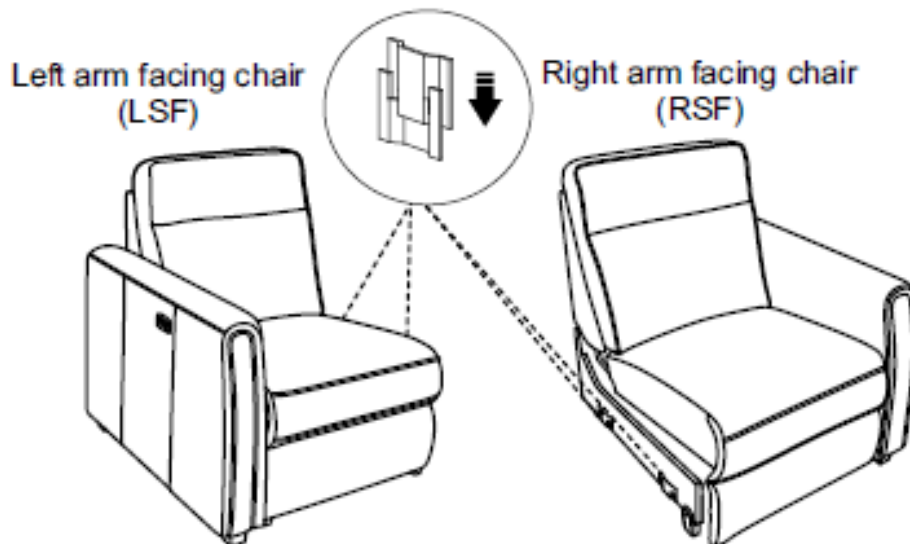
**Step 4.**



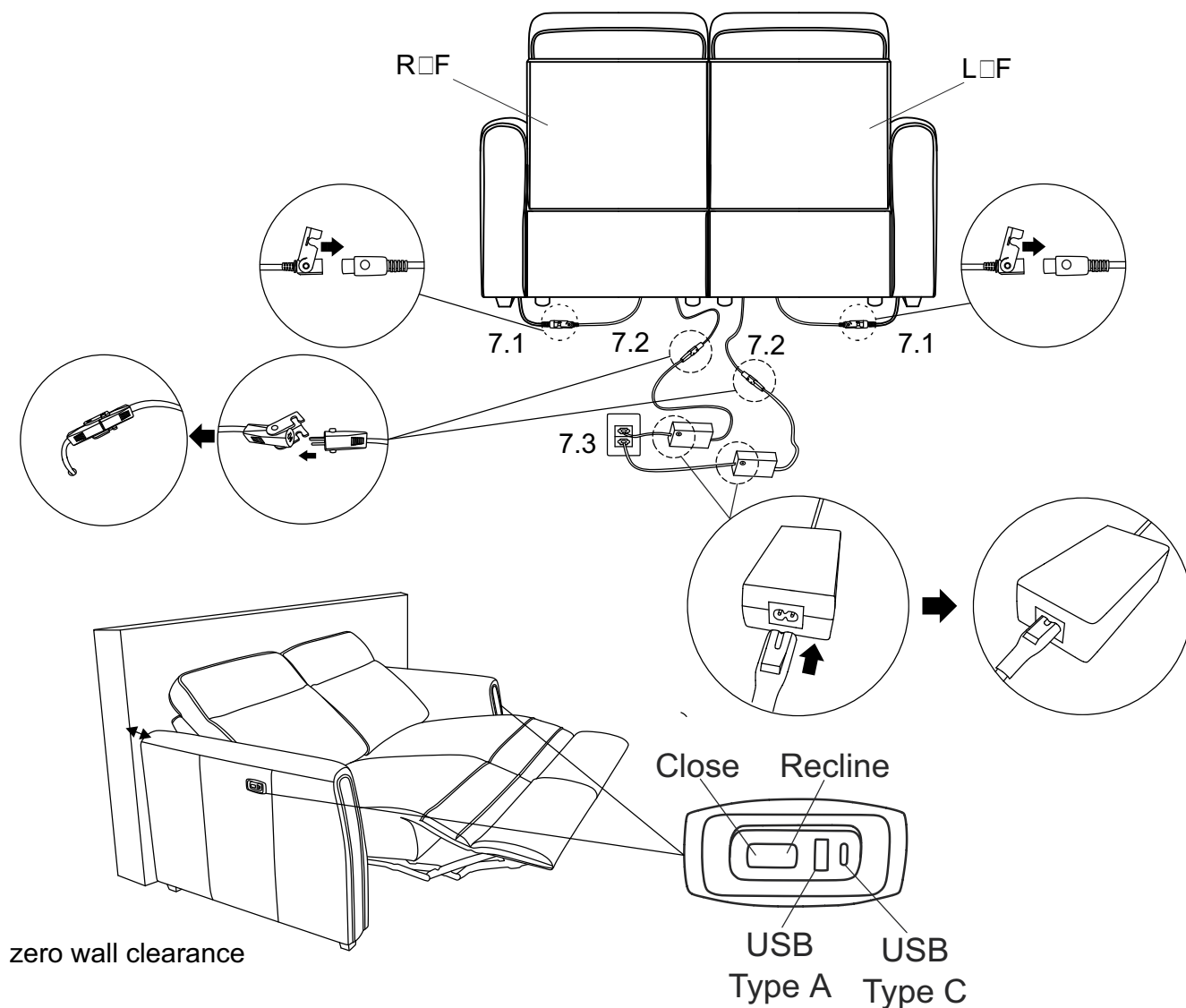
**Step 5.**



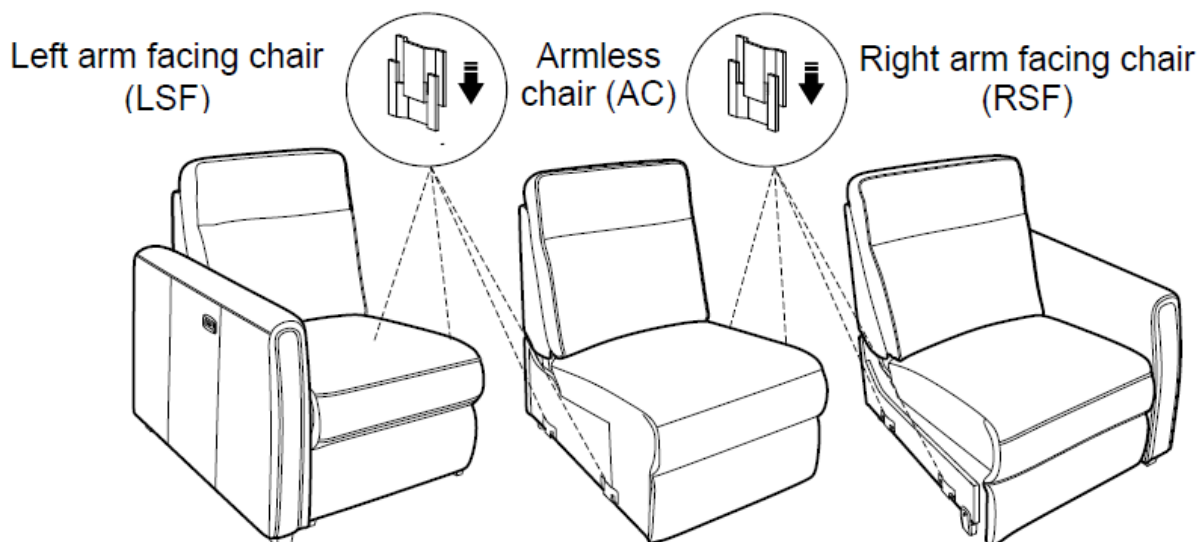
**Step 6. Combination 1: Double Power Reclining Loveseat Assembly.**



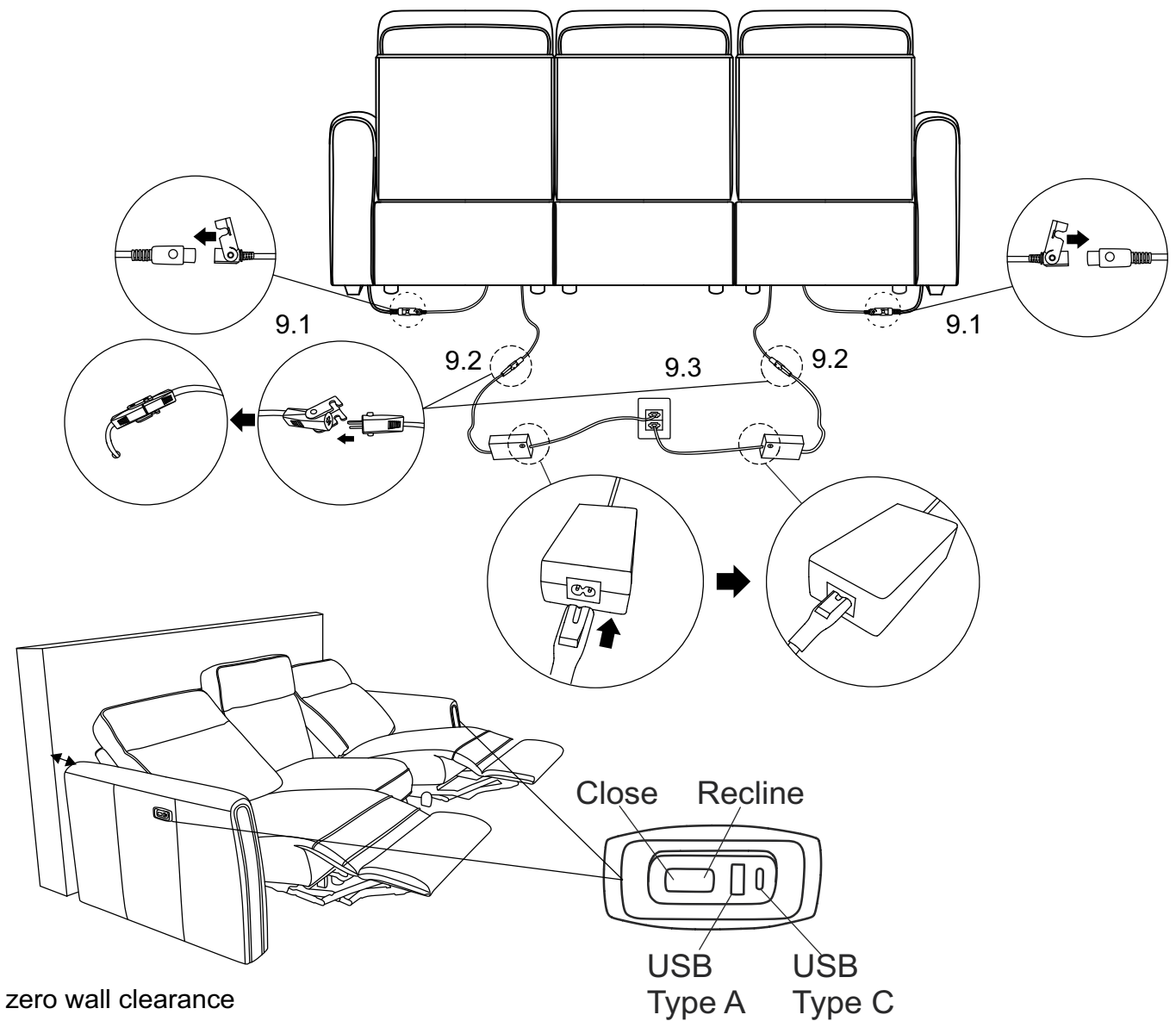
## Step 7: Power Connection.



## Step 8. Combination 2: Double Power Reclining Sofa Assembly.



## Step 9: Power Connection.



### CARE INSTRUCTIONS FOR AIR LEATHER:

To maintain the original appearance of your fabric furniture, please follow the simple care procedures below:

- Avoid exposing furniture directly to sunlight or heating and air conditioning outlets. Exposure to sunlight or heating and air conditioning outlets will fade/damage fabric.
- Wipe gently with a damp soft cloth to remove dust, dirt and any grime build up.

**!** It is recommended to install protective pads under all legs and supports to avoid damage or scratches when placing furniture on a wood floor or other hard surface, and to limit indentation and prevent discoloration if placing on carpet.

**PLEASE KEEP ASSEMBLY INSTRUCTION FOR FUTURE REFERENCE**

# ASSEMBLY INSTRUCTIONS





## POWER RIGHT SIDE RECLINING CHAIR 2 BACKRESTS OF LEFT SIDE AND RIGHT SIDE POWER RECLINING CHAIRS







### WARNING:

- Keep hands, feet, and children away from moving parts.
- Ensure the area behind and under the chair is clear before operating.
- Do not allow children to operate the recliner.

**Note:** Do not use power tools for assembly. Power tools increase the risk of over-tightening, which may lead to splitting or cracking the wood.

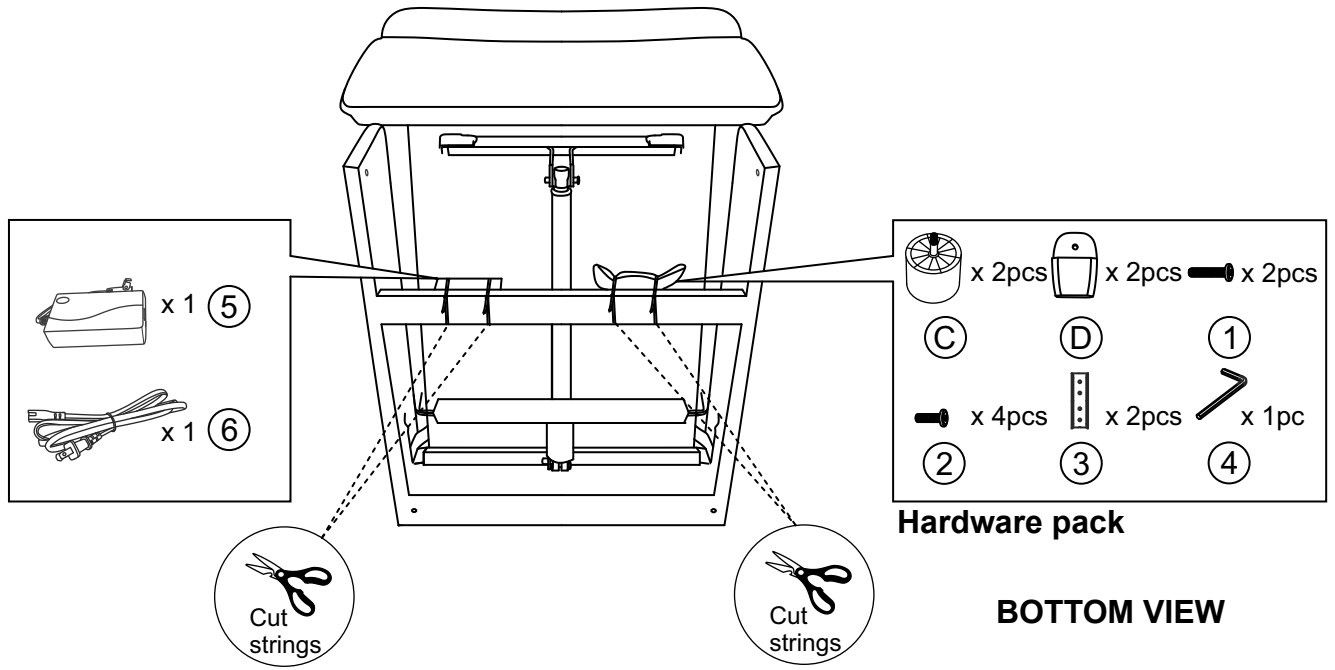
### COMPONENT LIST

NO.	DRAWING	Q.TY	DESCRIPTION
A		1PC	SEAT BASE
B		1PC	BACK REST ITEM NO: 8368BRW-B, 8368NVY-B (in the other carton)
C		2PCS	PLASTIC LEG (Ø60*80mm)
D		2PCS	PLASTIC LEG (30*60*90mm)

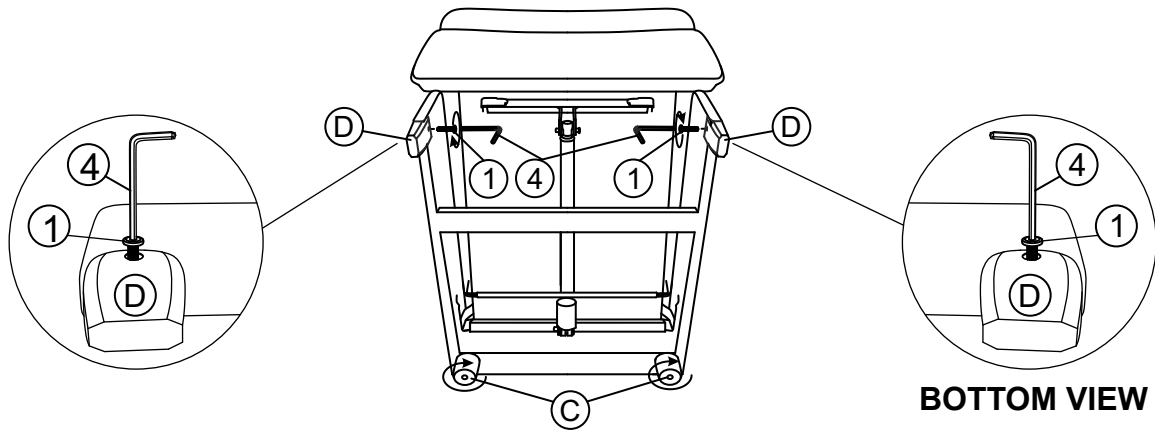
NO.	DRAWING	Q.TY	DESCRIPTION
1		2PCS	BOLT (1/4*25)
2		4PCS	BOLT (1/4*20)
3		2PCS	METAL PLATE
4		1PC	ALLEN KEY (4/23")
5		1PC	ADAPTER
6		1PC	POWER CORD

Please follow the drawings below to assemble the item.

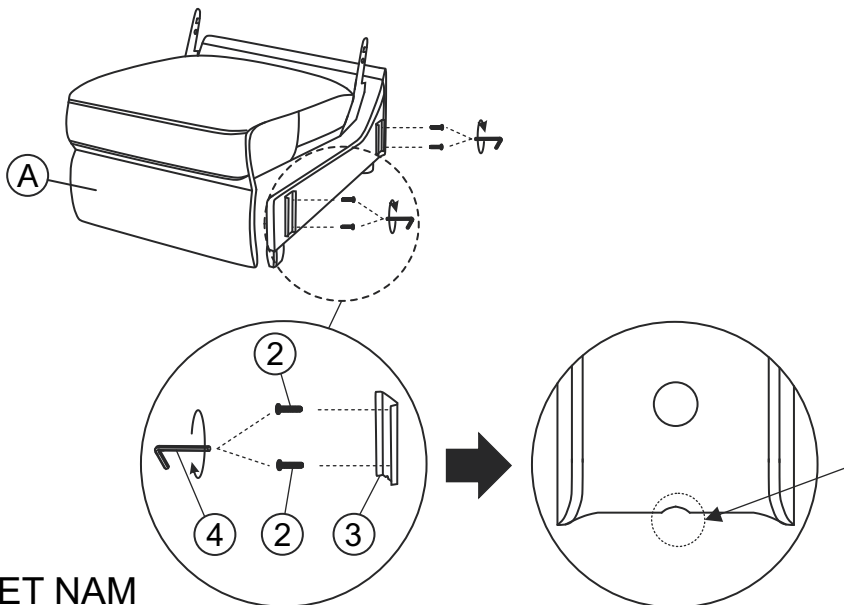
Step 1.



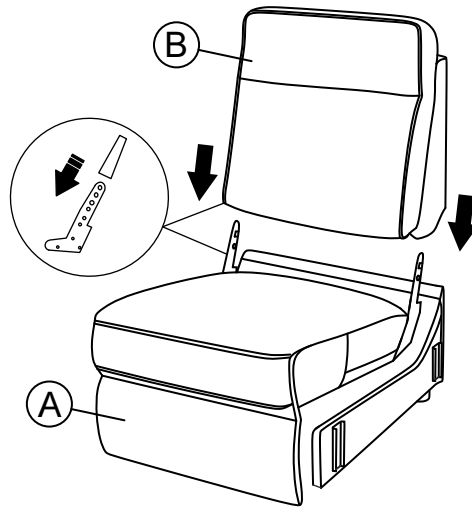
Step 2.



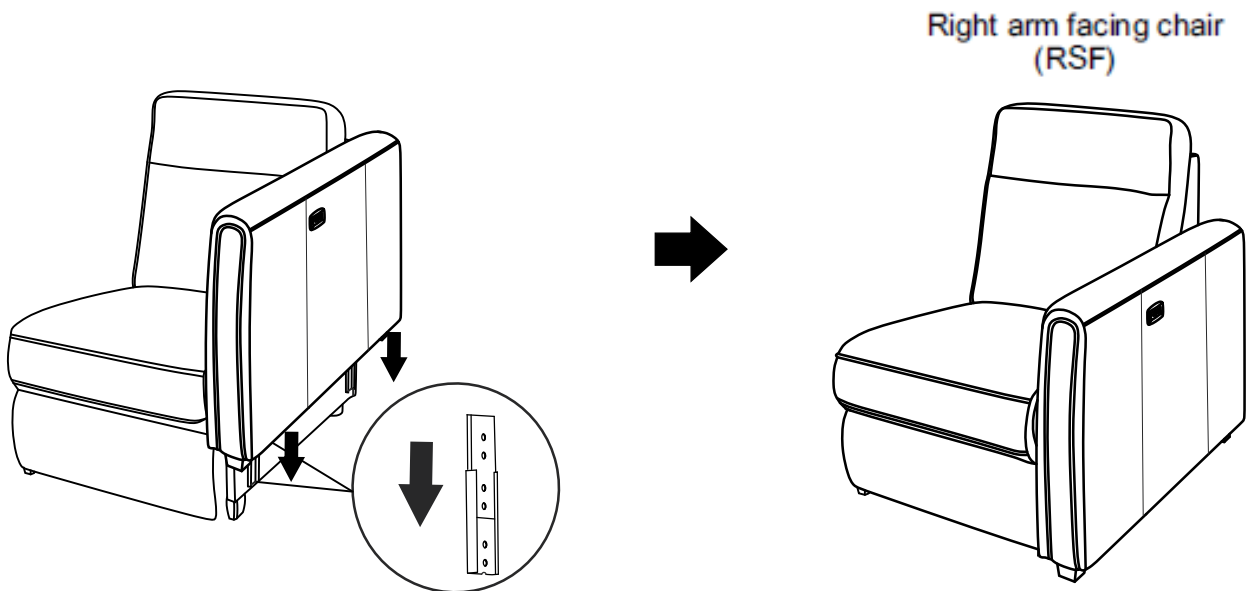
Step 3.



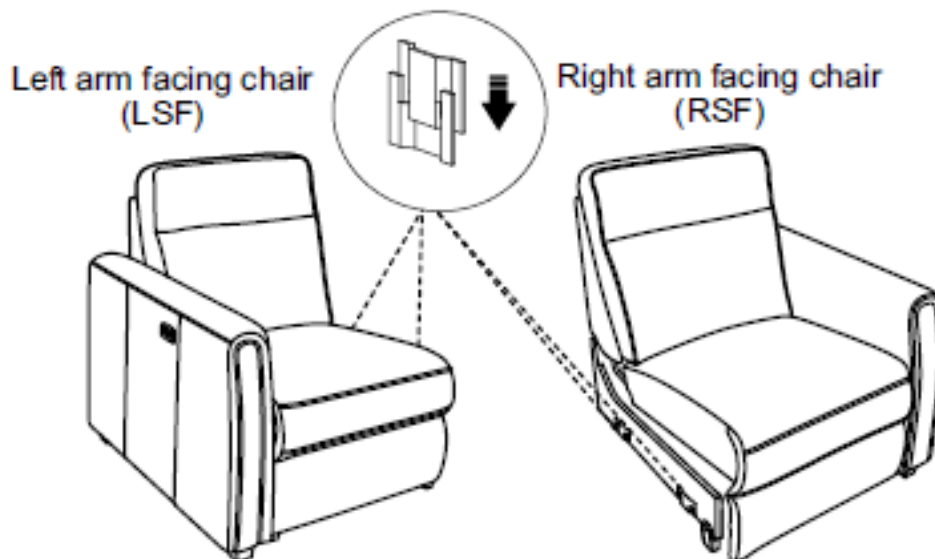
**Step 4.**



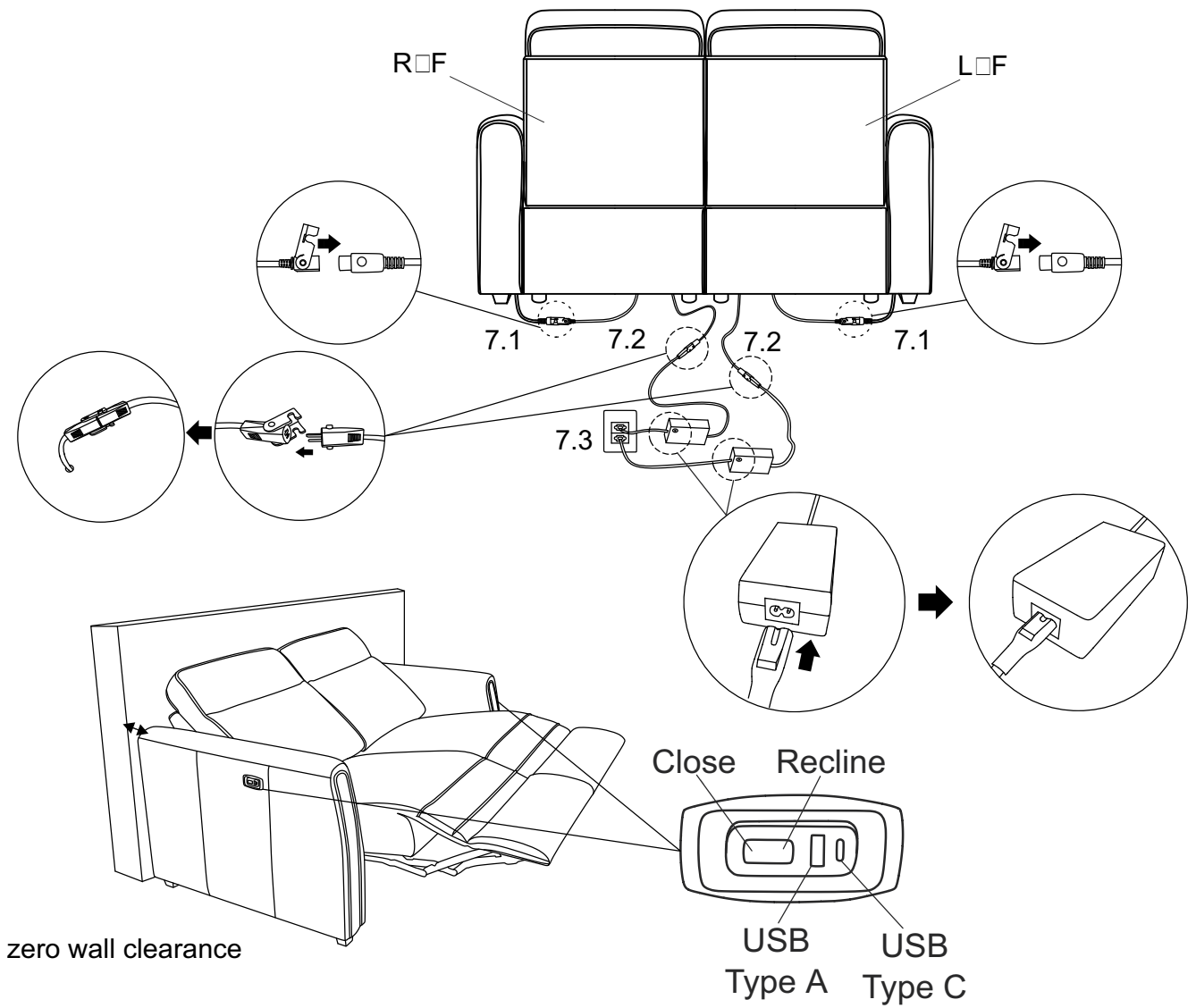
**Step 5.**



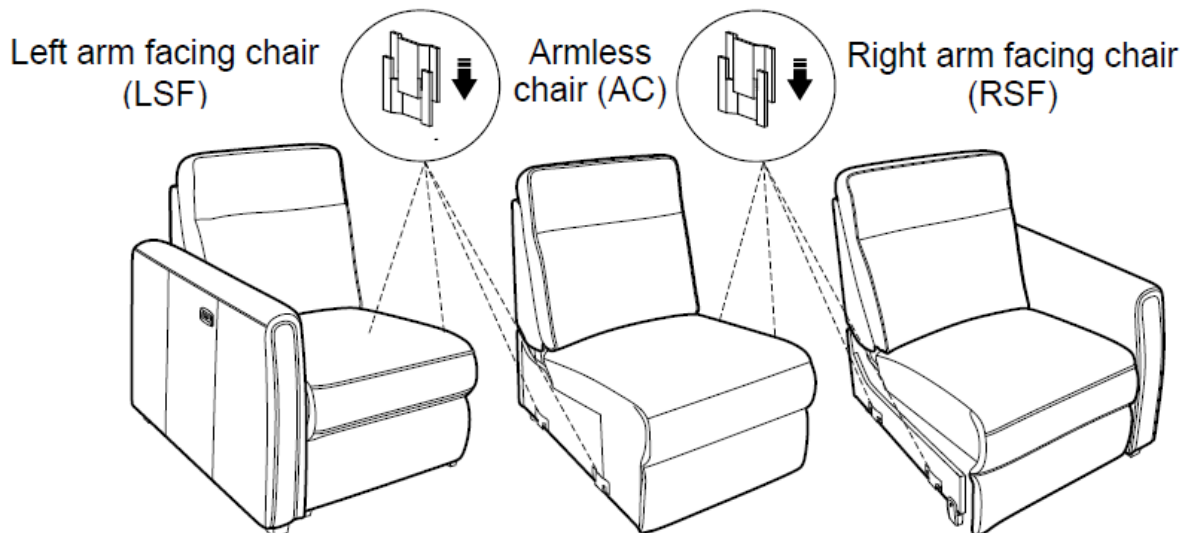
**Step 6. Combination 1: Double Power Reclining Loveseat Assembly.**



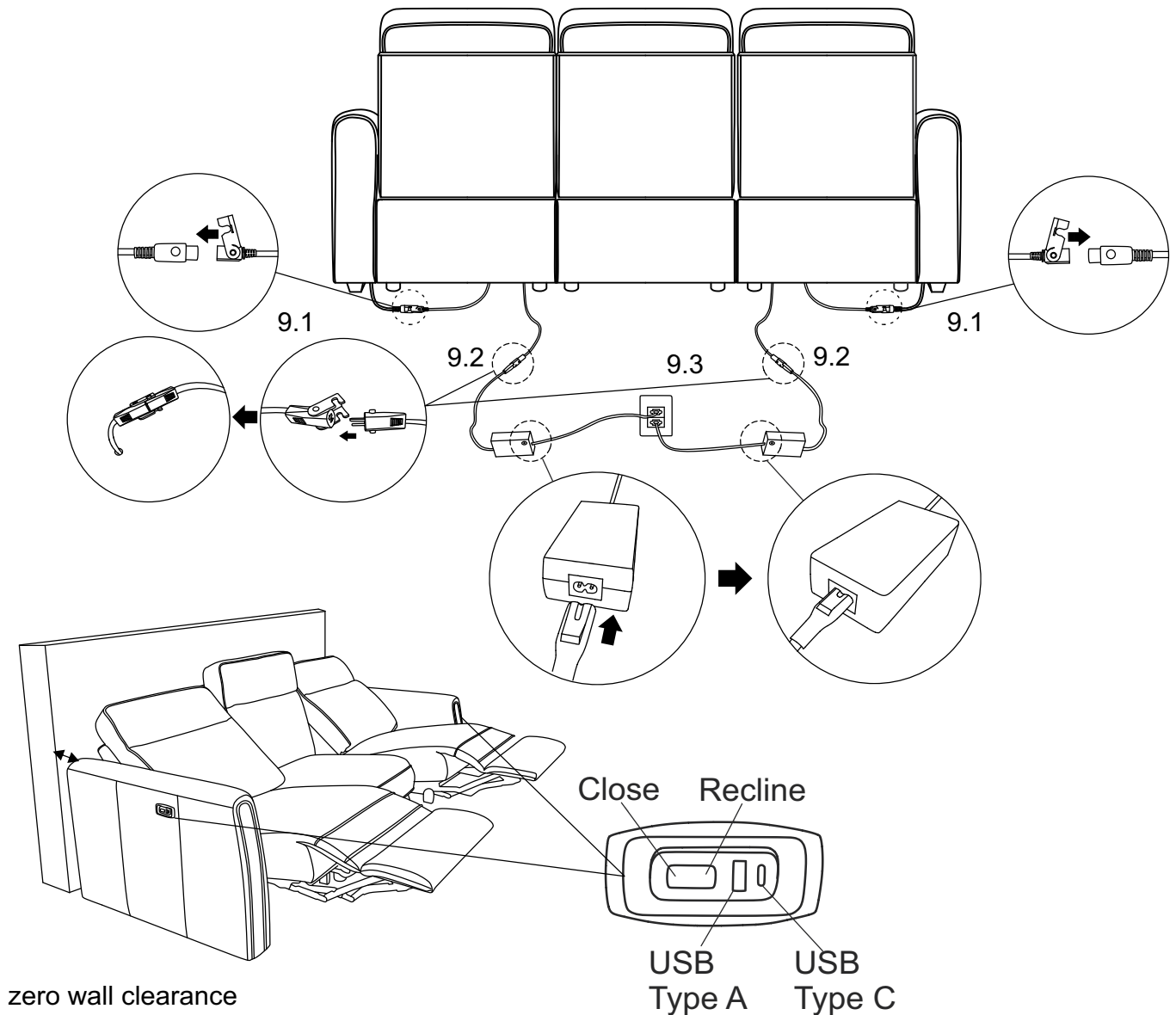
## Step 7: Power Connection.



## Step 8. Combination 2: Double Power Reclining Sofa Assembly.



## Step 9: Power Connection.



### CARE INSTRUCTIONS FOR AIR LEATHER:

To maintain the original appearance of your fabric furniture, please follow the simple care procedures below:

- Avoid exposing furniture directly to sunlight or heating and air conditioning outlets. Exposure to sunlight or heating and air conditioning outlets will fade/damage fabric.
- Wipe gently with a damp soft cloth to remove dust, dirt and any grime build up.

**!** It is recommended to install protective pads under all legs and supports to avoid damage or scratches when placing furniture on a wood floor or other hard surface, and to limit indentation and prevent discoloration if placing on carpet.

**PLEASE KEEP ASSEMBLY INSTRUCTION FOR FUTURE REFERENCE**

# ASSEMBLY INSTRUCTIONS

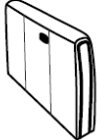
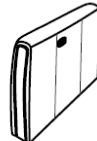
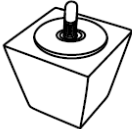
2 ARMS OF LEFT SIDE & RIGHT SIDE POWER RECLINING CHAIR, ROUNDED TRACK ARMS  
 2 ARMS OF LEFT SIDE & RIGHT SIDE POWER RECLINING CHAIR, CURVED TRACK ARMS

## WARNING:

- Keep hands, feet, and children away from moving parts.
- Ensure the area behind and under the chair is clear before operating.
- Do not allow children to operate the recliner.

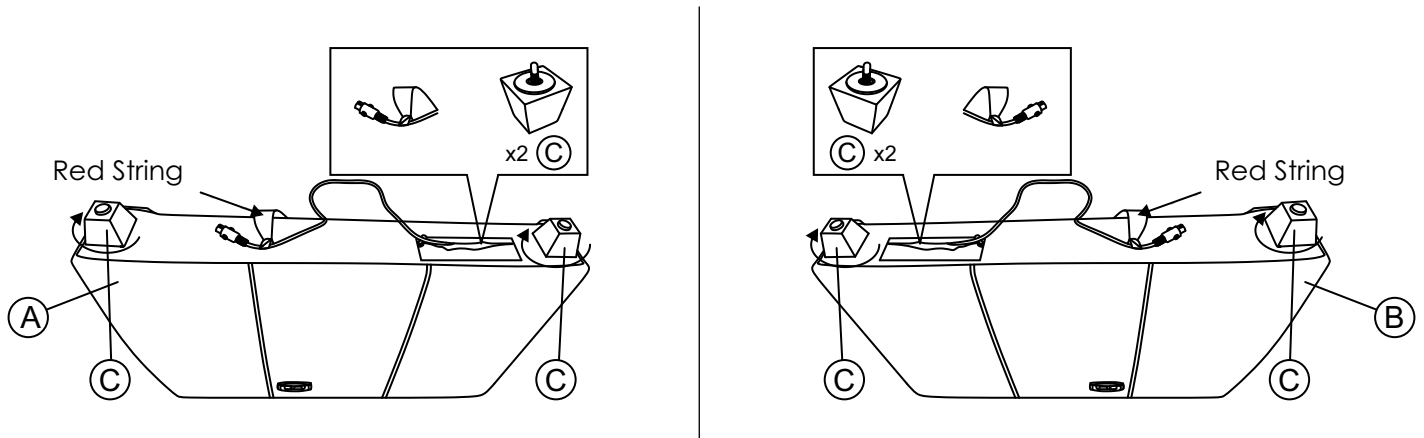
**Note:** Do not use power tools for assembly. Power tools increase the risk of over-tightening, which may lead to splitting or cracking the wood.

## COMPONENT LIST

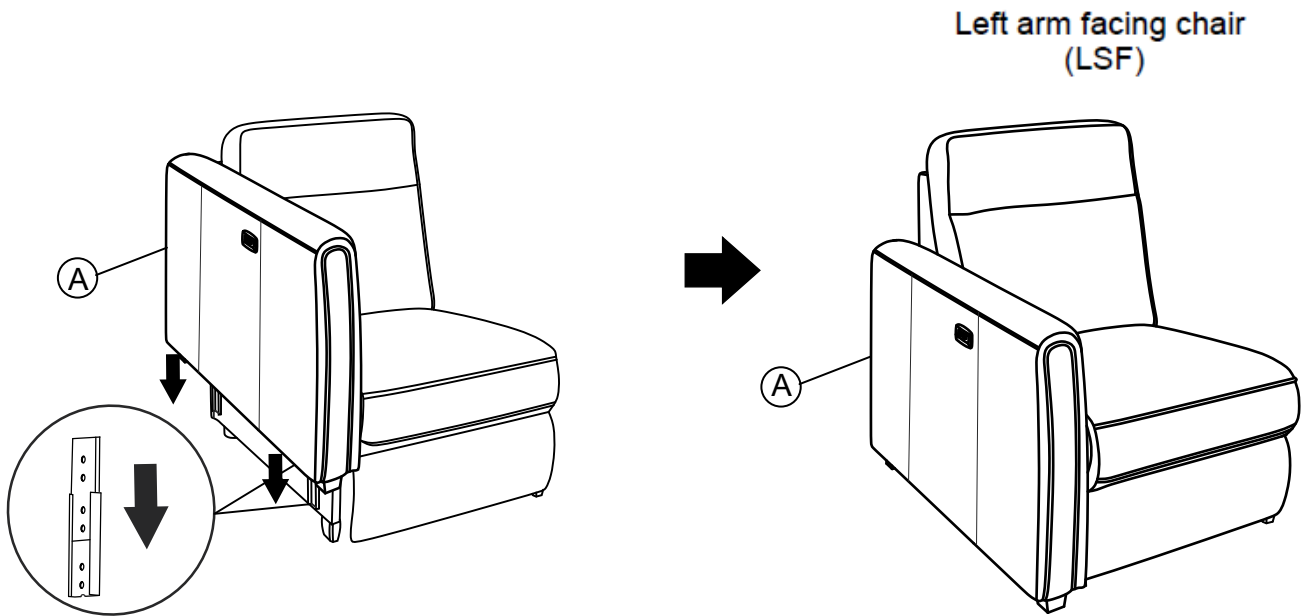
NO.	DRAWING	Q.TY	DESCRIPTION
A		1PC	LEFT SIDE ARM
B		1PC	RIGHT SIDE ARM
C		4PCS	WOODEN LEG (60*60*72mm)

Please follow the drawings below to assemble the item.

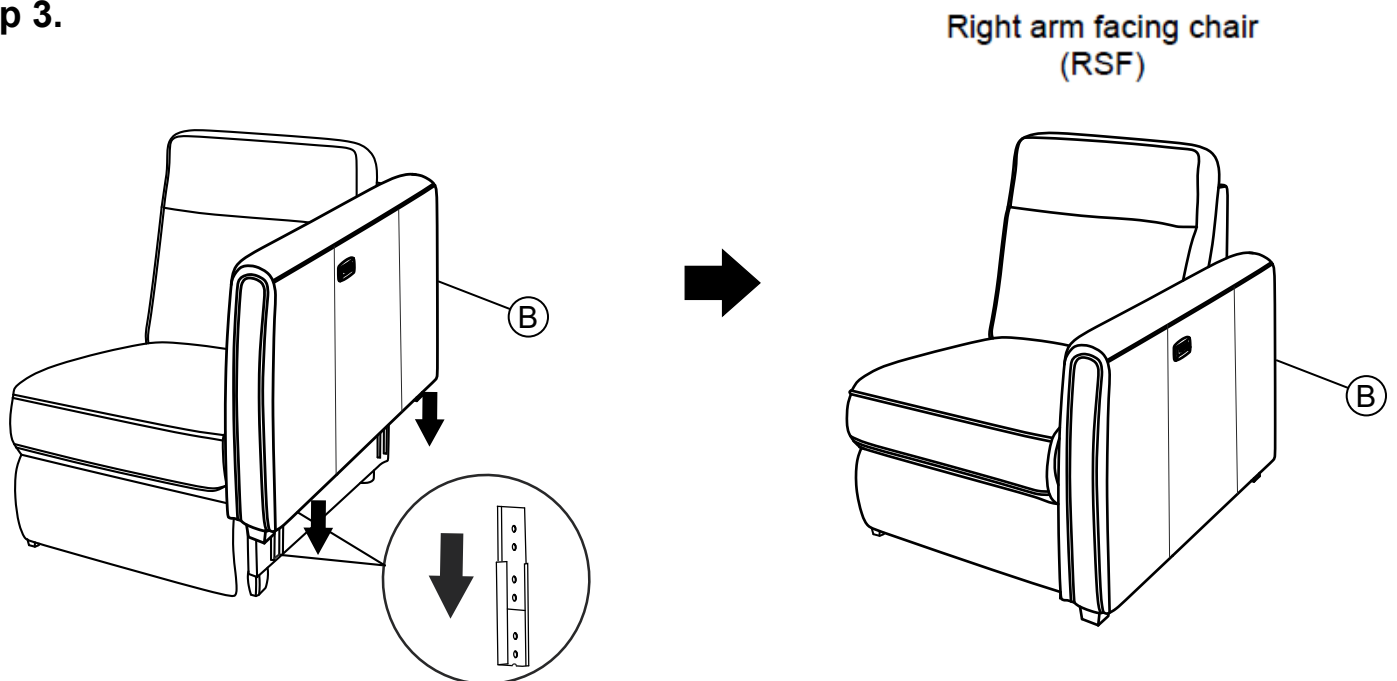
### Step 1.



## Step 2.



## Step 3.



### CARE INSTRUCTIONS FOR AIR LEATHER:

To maintain the original appearance of your fabric furniture, please follow the simple care procedures below:

- Avoid exposing furniture directly to sunlight or heating and air conditioning outlets. Exposure to sunlight or heating and air conditioning outlets will fade/damage fabric.
- Wipe gently with a damp soft cloth to remove dust, dirt and any grime build up.

**!** It is recommended to install protective pads under all legs and supports to avoid damage or scratches when placing furniture on a wood floor or other hard surface, and to limit indentation and prevent discoloration if placing on carpet.

**PLEASE KEEP ASSEMBLY INSTRUCTION FOR FUTURE REFERENCE**

# ASSEMBLY INSTRUCTIONS





## POWER LEFT SIDE RECLINING CHAIR 2 BACKRESTS OF LEFT SIDE AND RIGHT SIDE POWER RECLINING CHAIRS







### WARNING:

- Keep hands, feet, and children away from moving parts.
- Ensure the area behind and under the chair is clear before operating.
- Do not allow children to operate the recliner.

**Note:** Do not use power tools for assembly. Power tools increase the risk of over-tightening, which may lead to splitting or cracking the wood.

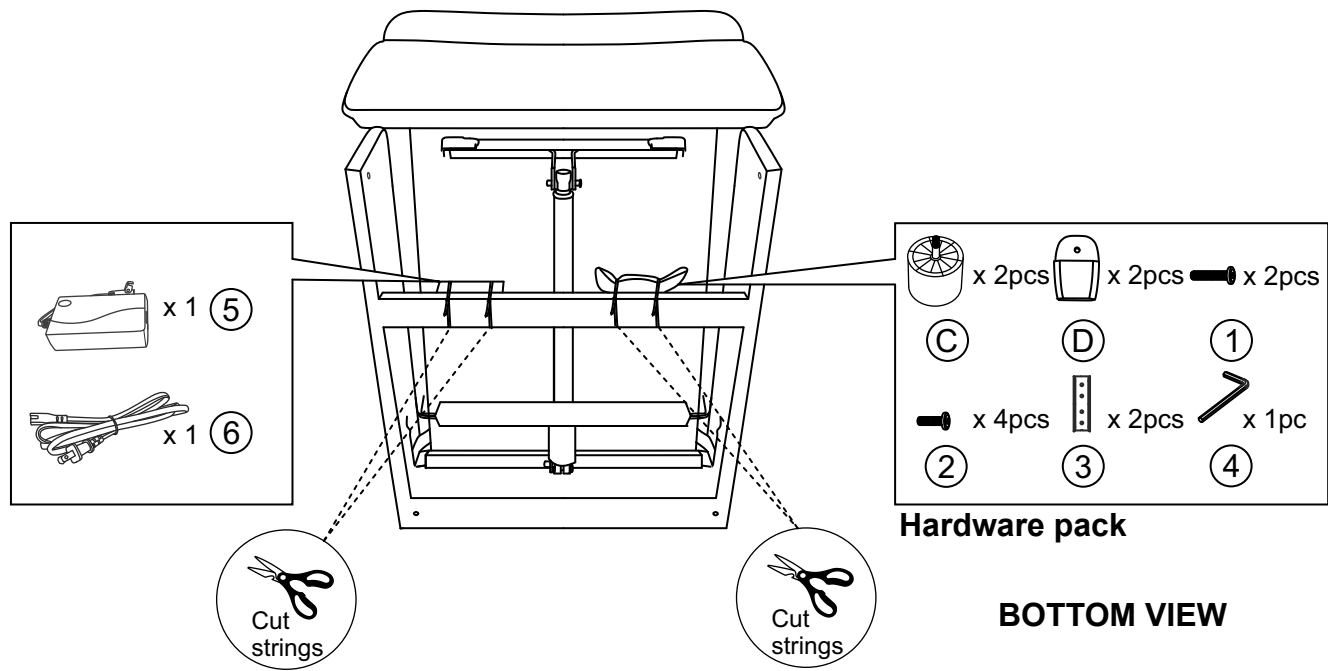
### COMPONENT LIST

NO.	DRAWING	Q.TY	DESCRIPTION
A		1PC	SEAT BASE
B		1PC	BACK REST ITEM NO: 8368BRW-B, 8368NVY-B (in the other carton)
C		2PCS	PLASTIC LEG (Ø60*80mm)
D		2PCS	PLASTIC LEG (30*60*90mm)

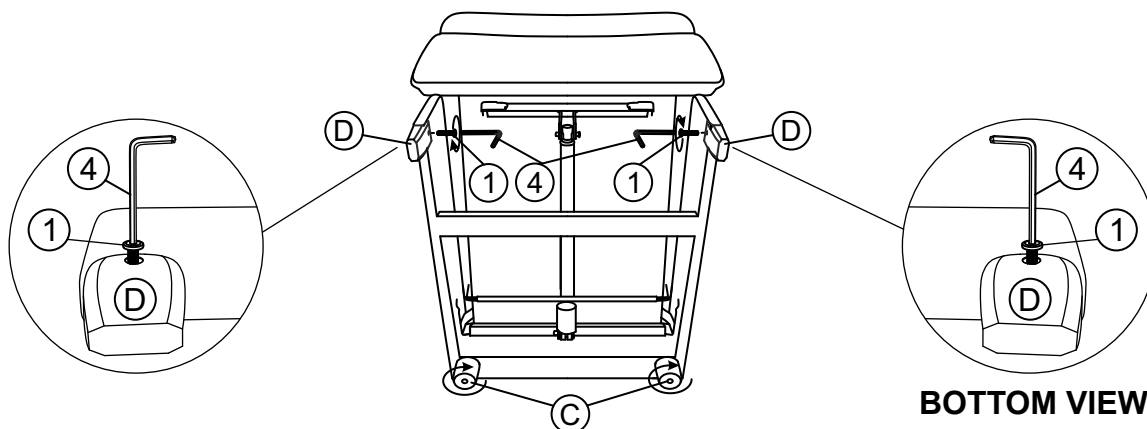
NO.	DRAWING	Q.TY	DESCRIPTION
1		2PCS	BOLT (1/4*25)
2		4PCS	BOLT (1/4*20)
3		2PCS	METAL PLATE
4		1PC	ALLEN KEY (4/23")
5		1PC	ADAPTER
6		1PC	POWER CORD

# Please follow the drawings below to assemble the item.

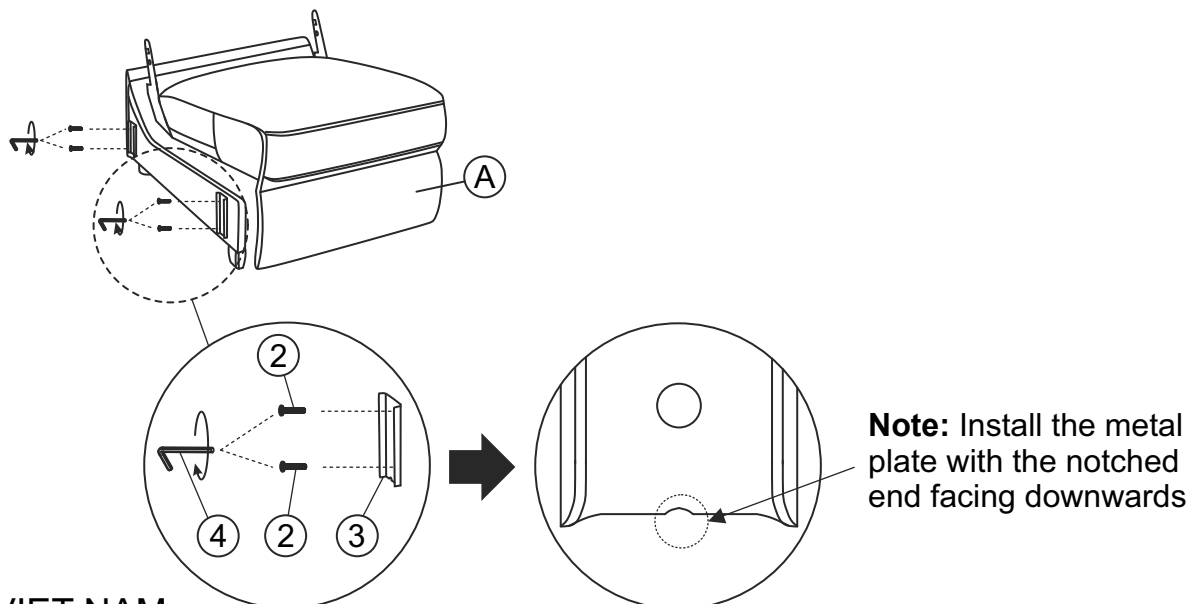
## Step 1.



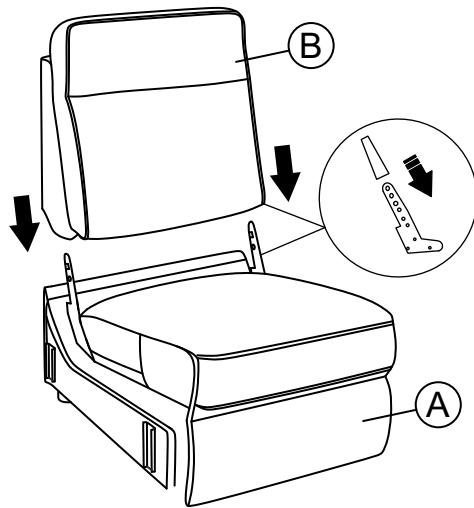
## Step 2.



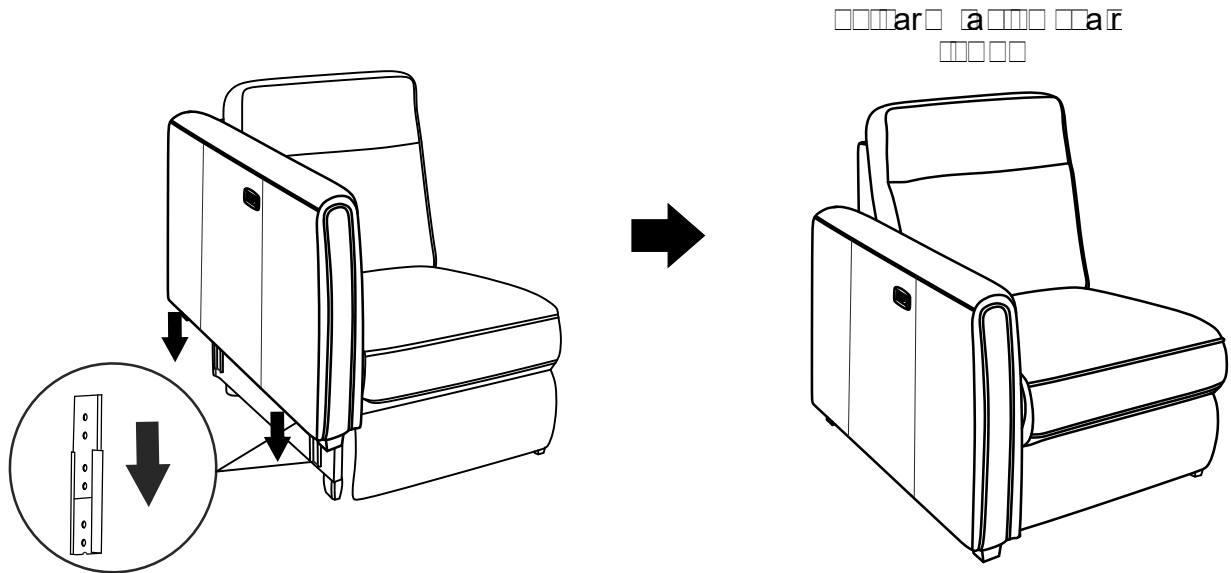
## Step 3.



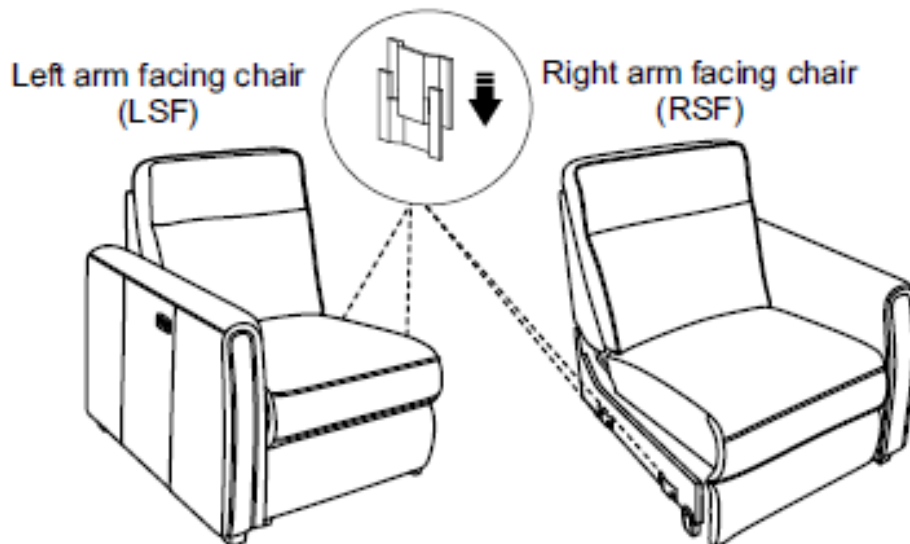
**Step 4.**



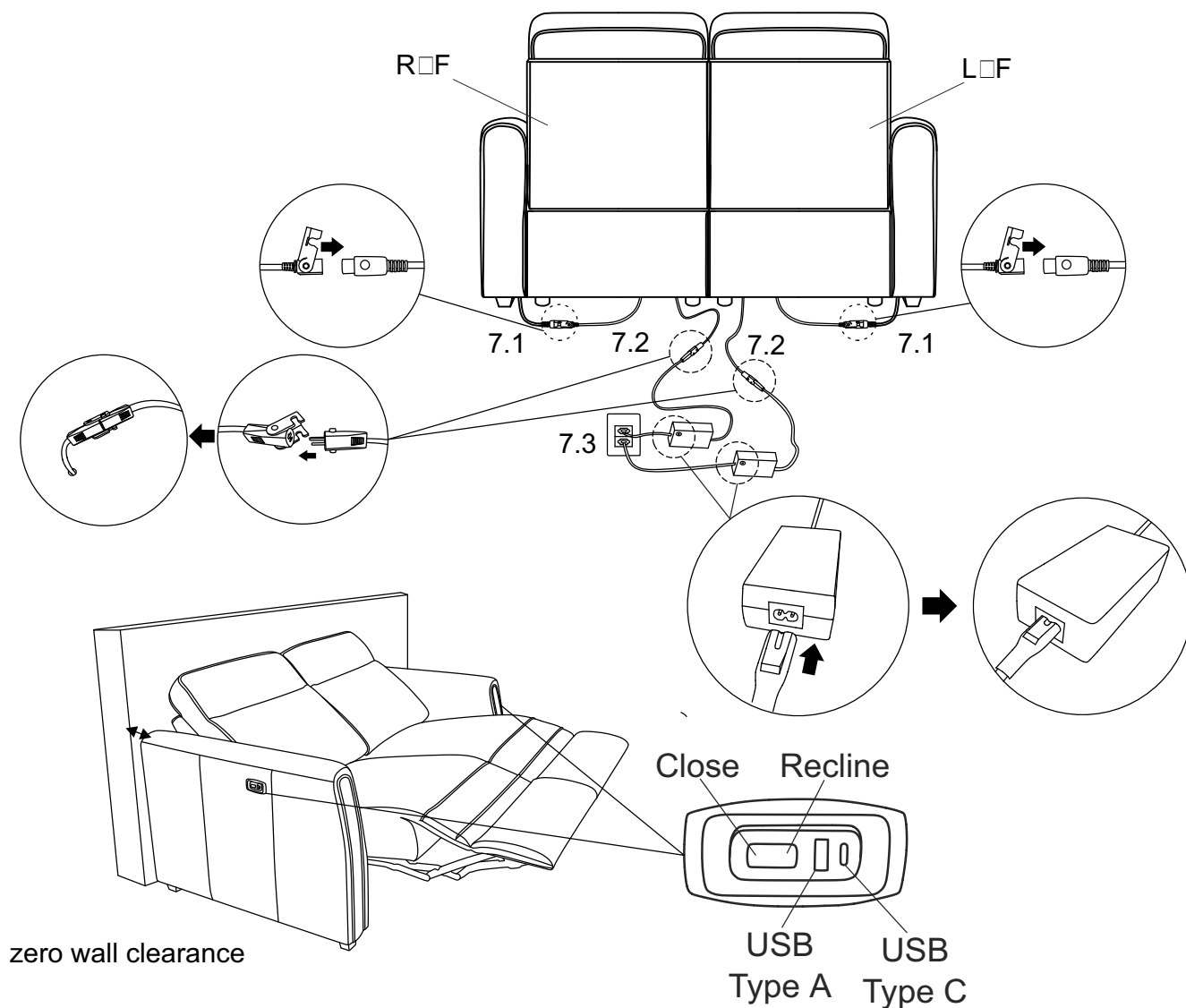
**Step 5.**



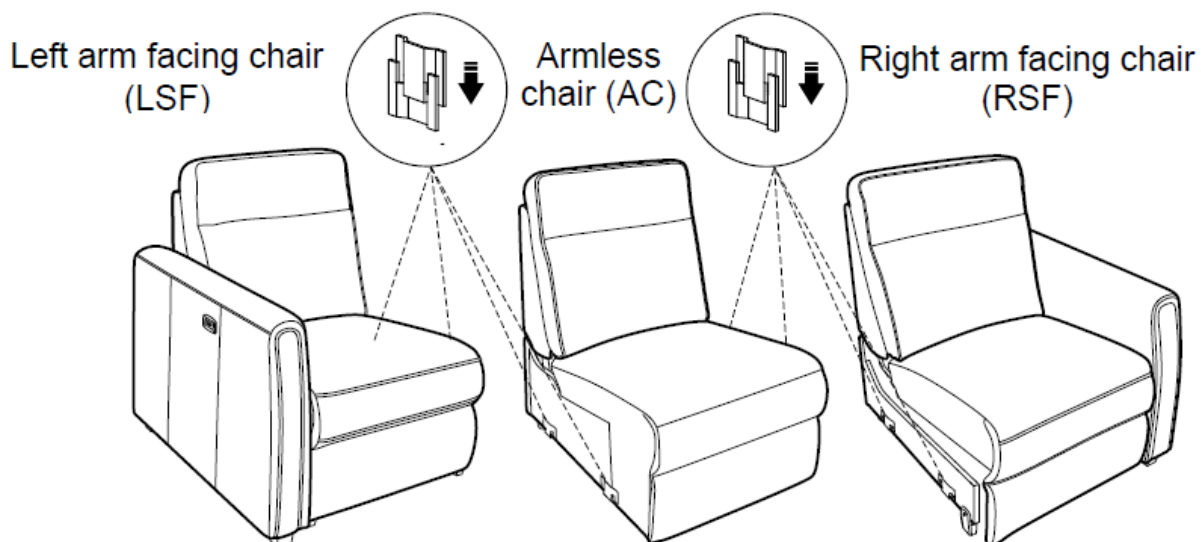
**Step 6. Combination 1: Double Power Reclining Loveseat Assembly.**



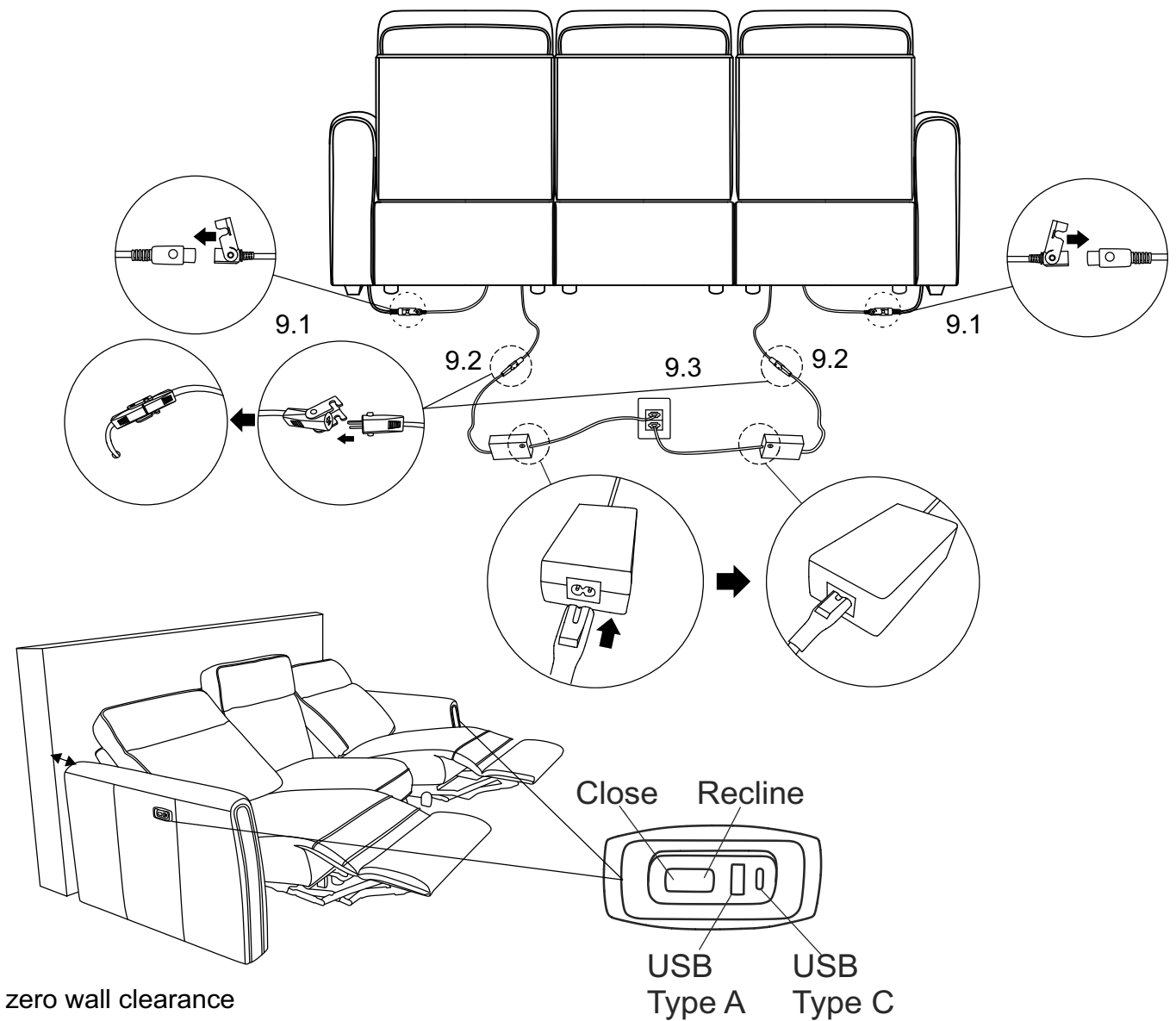
## Step 7: Power Connection.



## Step 8. Combination 2: Double Power Reclining Sofa Assembly.



## Step 9: Power Connection.



### CARE INSTRUCTIONS FOR AIR LEATHER:

To maintain the original appearance of your fabric furniture, please follow the simple care procedures below:

- Avoid exposing furniture directly to sunlight or heating and air conditioning outlets. Exposure to sunlight or heating and air conditioning outlets will fade/damage fabric.
- Wipe gently with a damp soft cloth to remove dust, dirt and any grime build up.

**!** It is recommended to install protective pads under all legs and supports to avoid damage or scratches when placing furniture on a wood floor or other hard surface, and to limit indentation and prevent discoloration if placing on carpet.

**PLEASE KEEP ASSEMBLY INSTRUCTION FOR FUTURE REFERENCE**

# ASSEMBLY INSTRUCTIONS





## POWER RIGHT SIDE RECLINING CHAIR 2 BACKRESTS OF LEFT SIDE AND RIGHT SIDE POWER RECLINING CHAIRS







### WARNING:

- Keep hands, feet, and children away from moving parts.
- Ensure the area behind and under the chair is clear before operating.
- Do not allow children to operate the recliner.

**Note:** Do not use power tools for assembly. Power tools increase the risk of over-tightening, which may lead to splitting or cracking the wood.

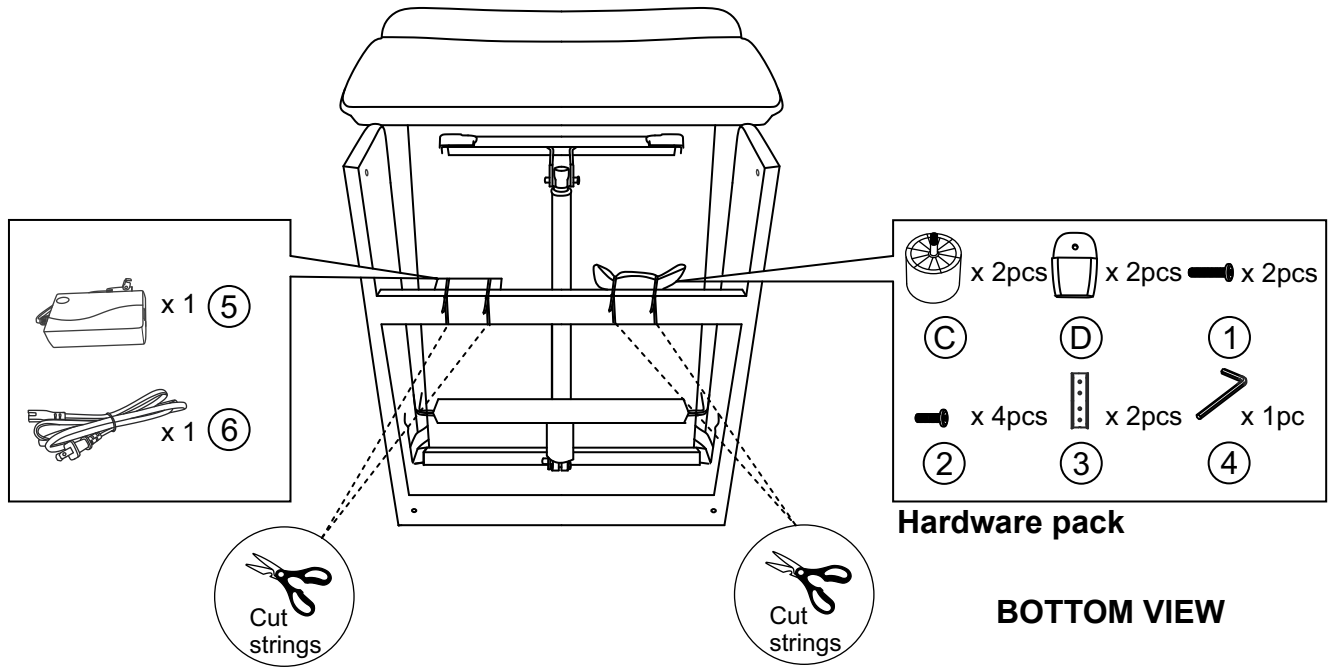
### COMPONENT LIST

NO.	DRAWING	Q.TY	DESCRIPTION
A		1PC	SEAT BASE
B		1PC	BACK REST ITEM NO: 8368BRW-B, 8368NVY-B (in the other carton)
C		2PCS	PLASTIC LEG (Ø60*80mm)
D		2PCS	PLASTIC LEG (30*60*90mm)

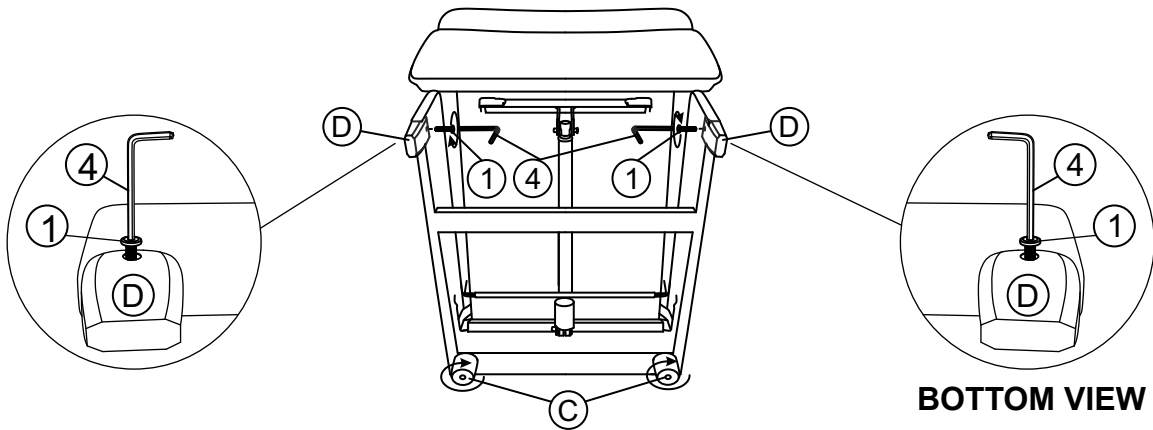
NO.	DRAWING	Q.TY	DESCRIPTION
1		2PCS	BOLT (1/4*25)
2		4PCS	BOLT (1/4*20)
3		2PCS	METAL PLATE
4		1PC	ALLEN KEY (4/23")
5		1PC	ADAPTER
6		1PC	POWER CORD

Please follow the drawings below to assemble the item.

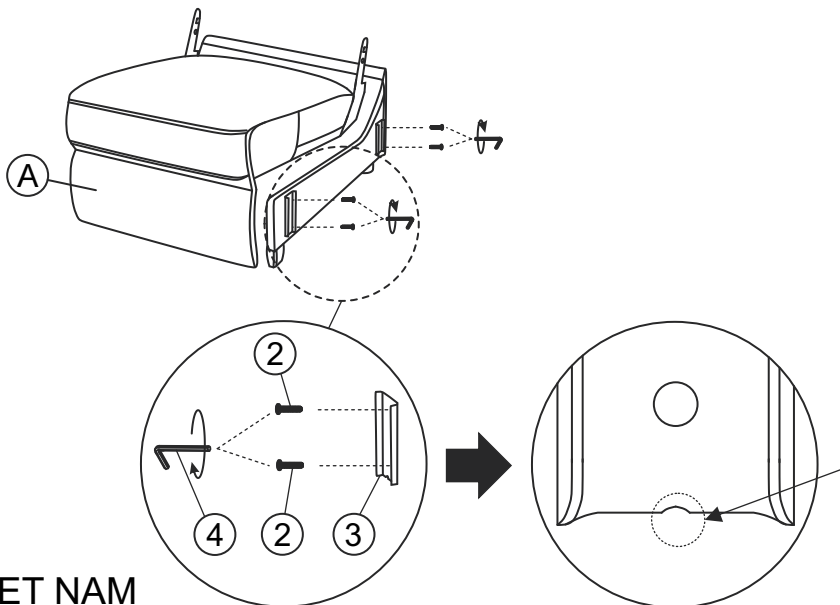
Step 1.



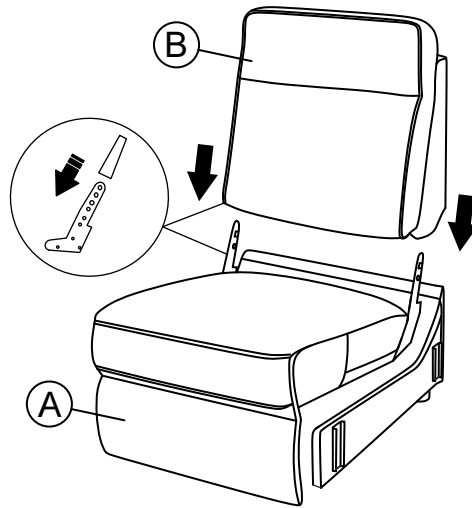
Step 2.



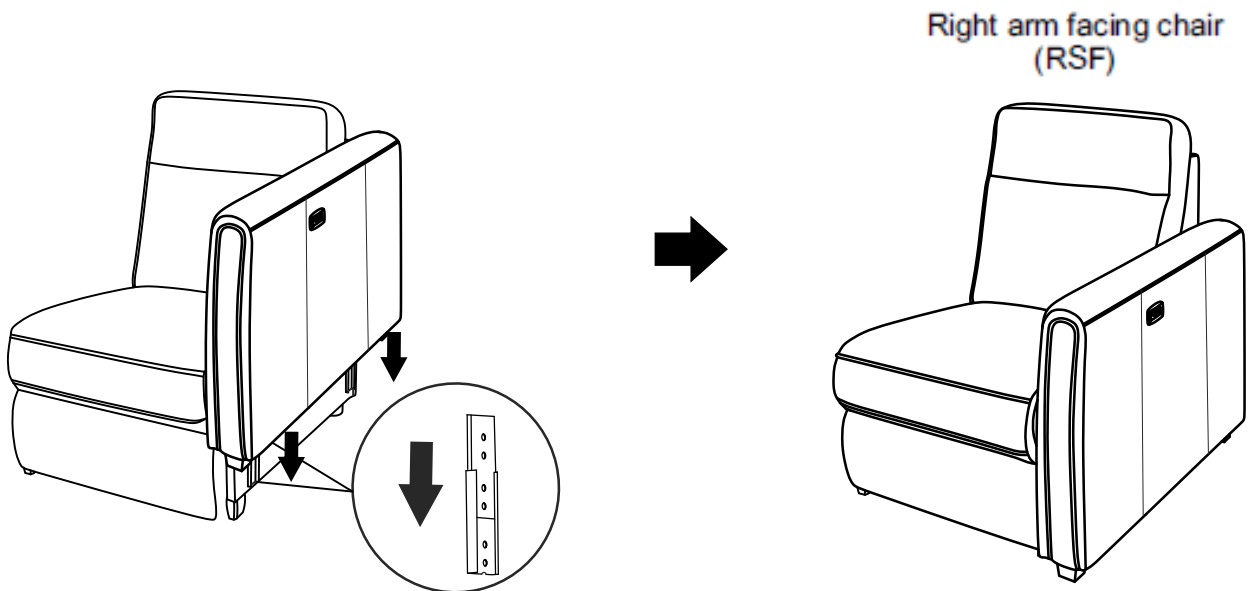
Step 3.



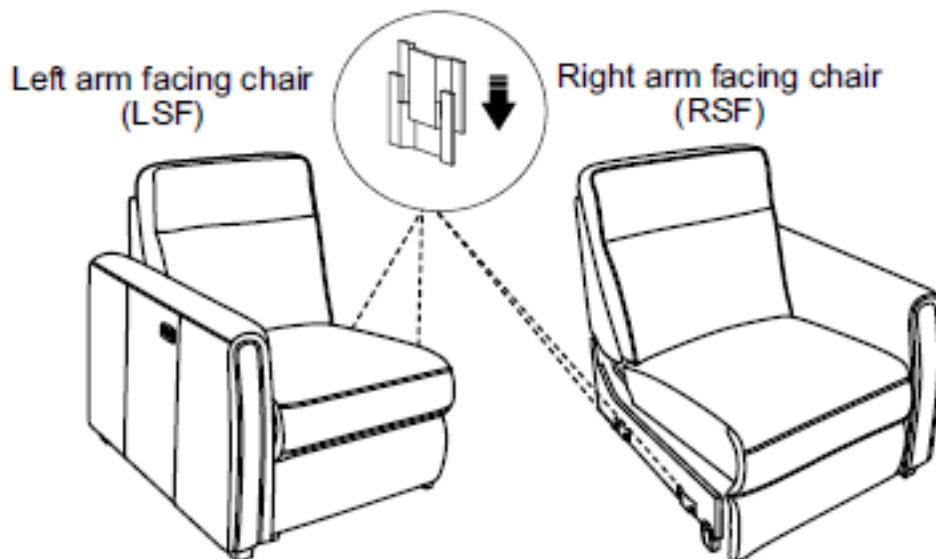
**Step 4.**



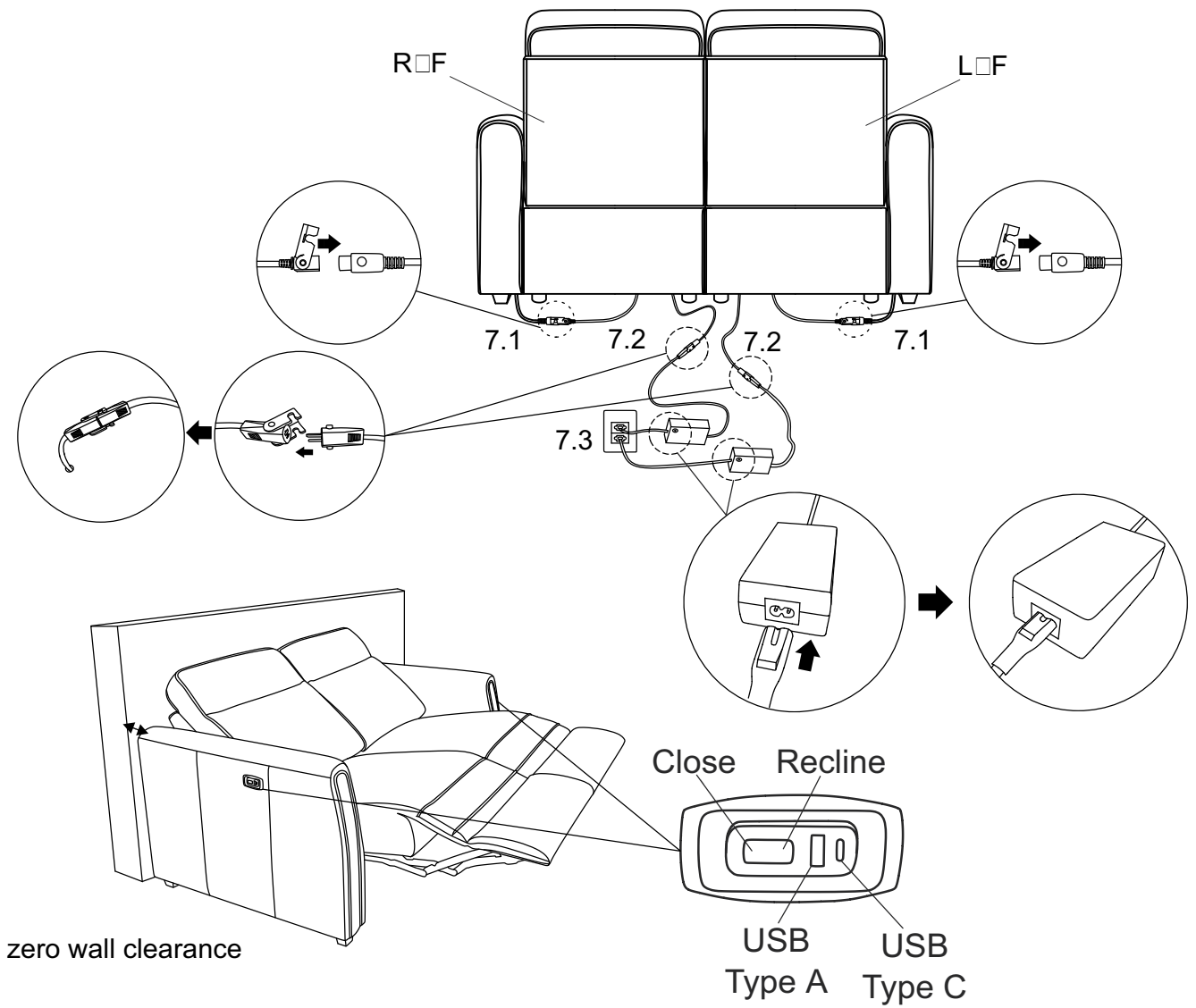
**Step 5.**



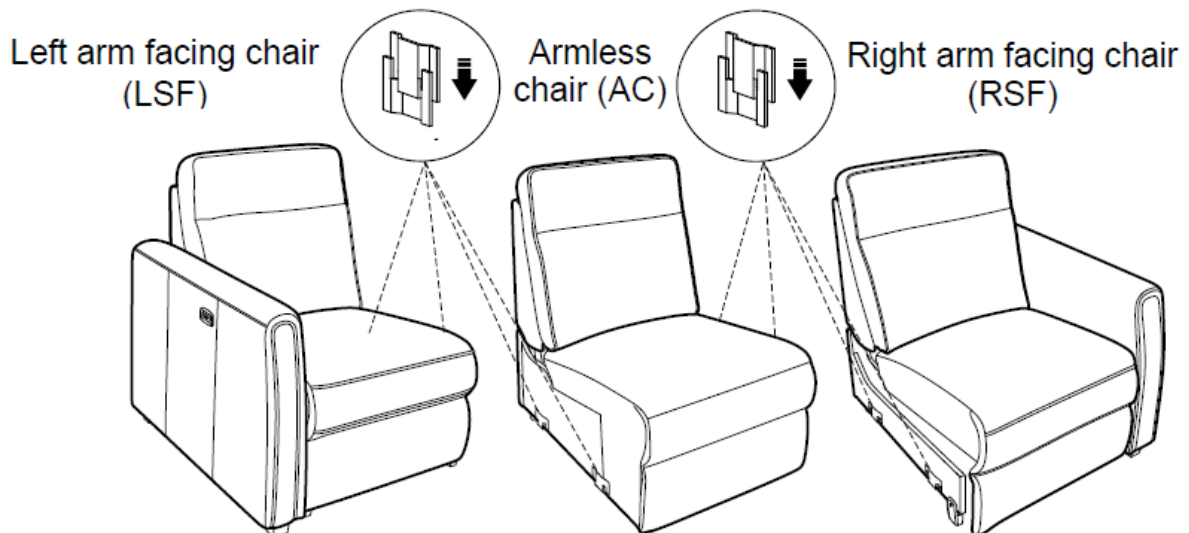
**Step 6. Combination 1: Double Power Reclining Loveseat Assembly.**



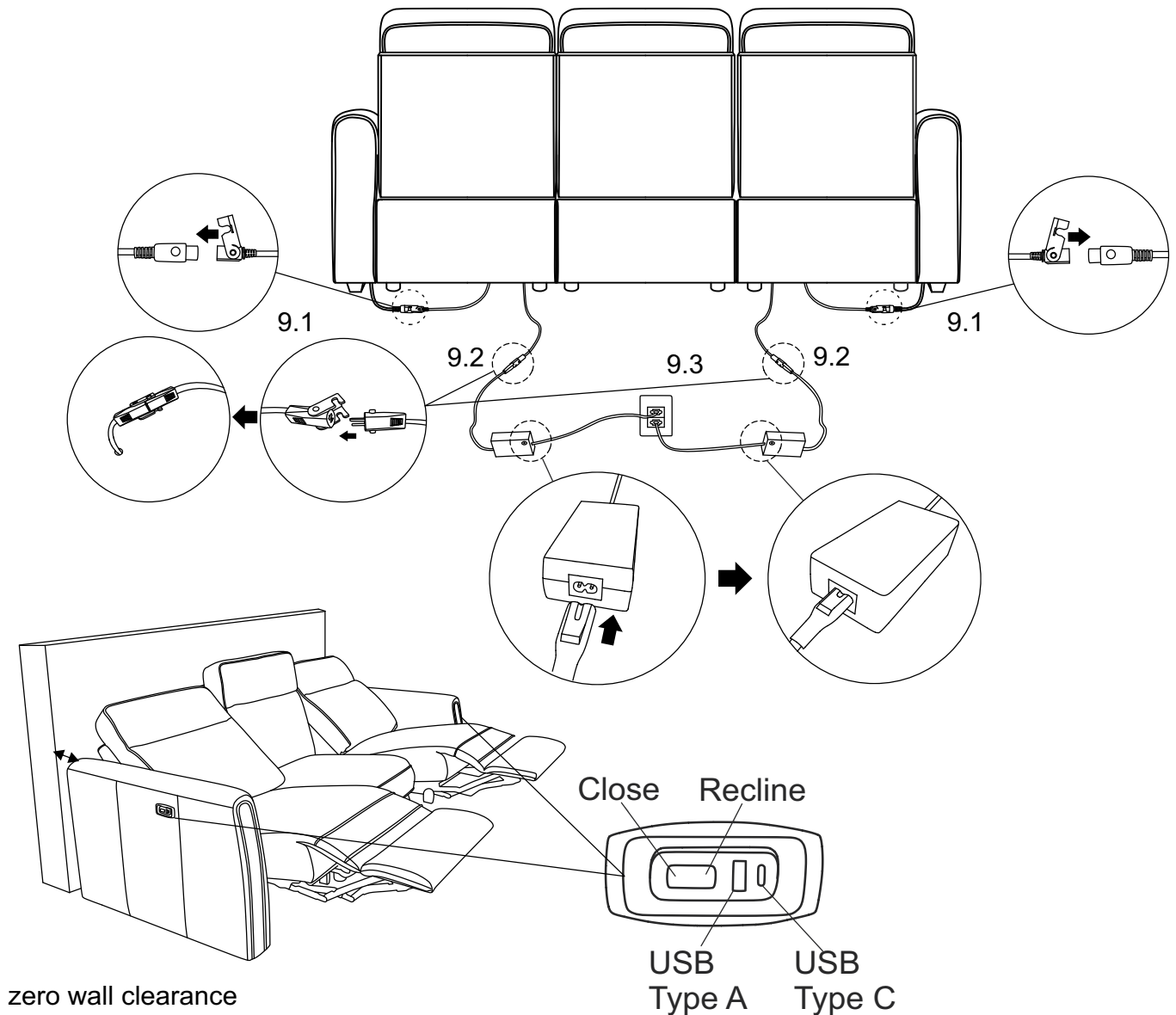
## Step 7: Power Connection.



## Step 8. Combination 2: Double Power Reclining Sofa Assembly.



## Step 9: Power Connection.



### CARE INSTRUCTIONS FOR AIR LEATHER:

To maintain the original appearance of your fabric furniture, please follow the simple care procedures below:

- Avoid exposing furniture directly to sunlight or heating and air conditioning outlets. Exposure to sunlight or heating and air conditioning outlets will fade/damage fabric.
- Wipe gently with a damp soft cloth to remove dust, dirt and any grime build up.

**!** It is recommended to install protective pads under all legs and supports to avoid damage or scratches when placing furniture on a wood floor or other hard surface, and to limit indentation and prevent discoloration if placing on carpet.

**PLEASE KEEP ASSEMBLY INSTRUCTION FOR FUTURE REFERENCE**

# ASSEMBLY INSTRUCTIONS




## ARMLESS CHAIR

### WARNING:

- Keep hands, feet, and children away from moving parts.
- Ensure the area behind and under the chair is clear before operating.
- Do not allow children to operate the recliner.

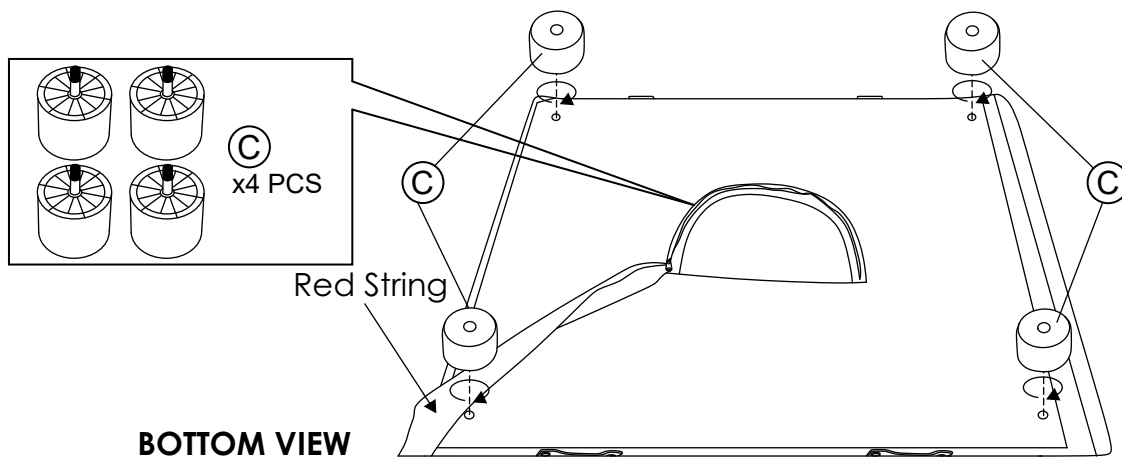
**Note:** Do not use power tools for assembly. Power tools increase the risk of over-tightening, which may lead to splitting or cracking the wood.

### COMPONENT LIST

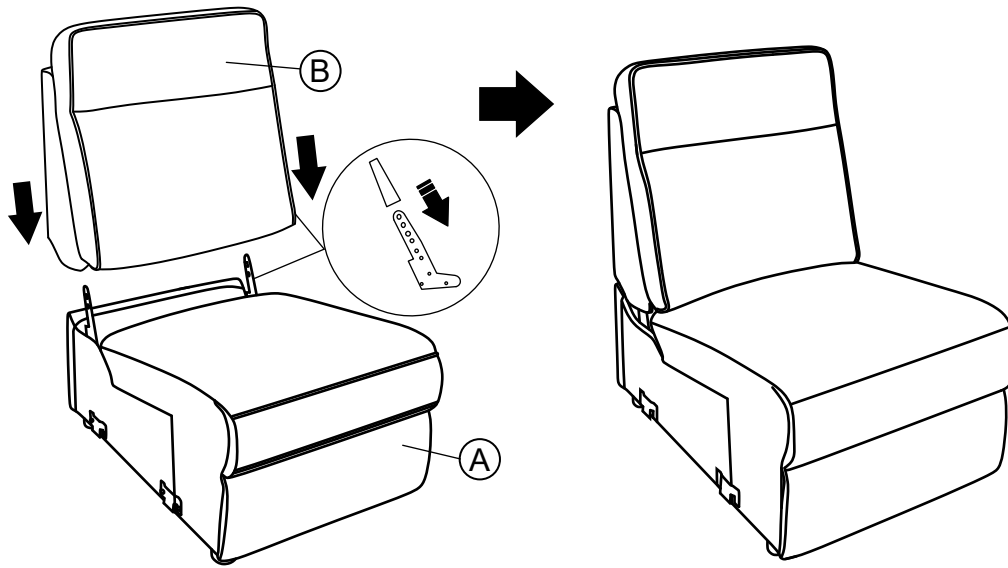
NO.	DRAWING	Q.TY	DESCRIPTION
A		1PC	SEAT BASE
B		1PC	BACK REST
C		4PCS	PLASTIC LEG (Ø60*80mm)

Please follow the drawings below to assemble the item.

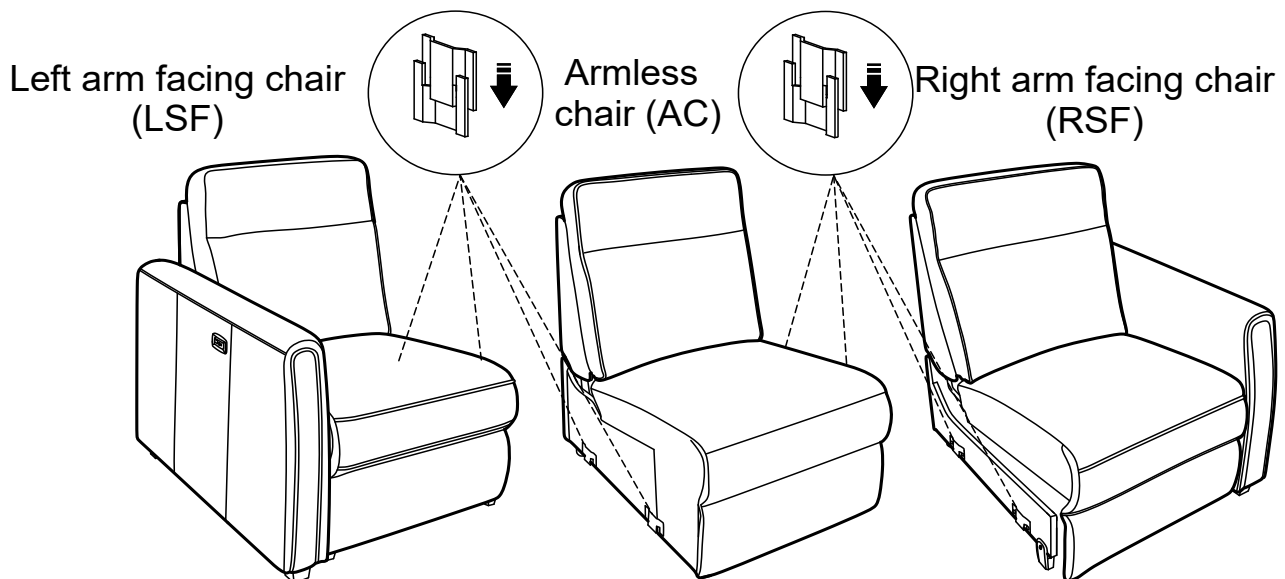
### Step 1.



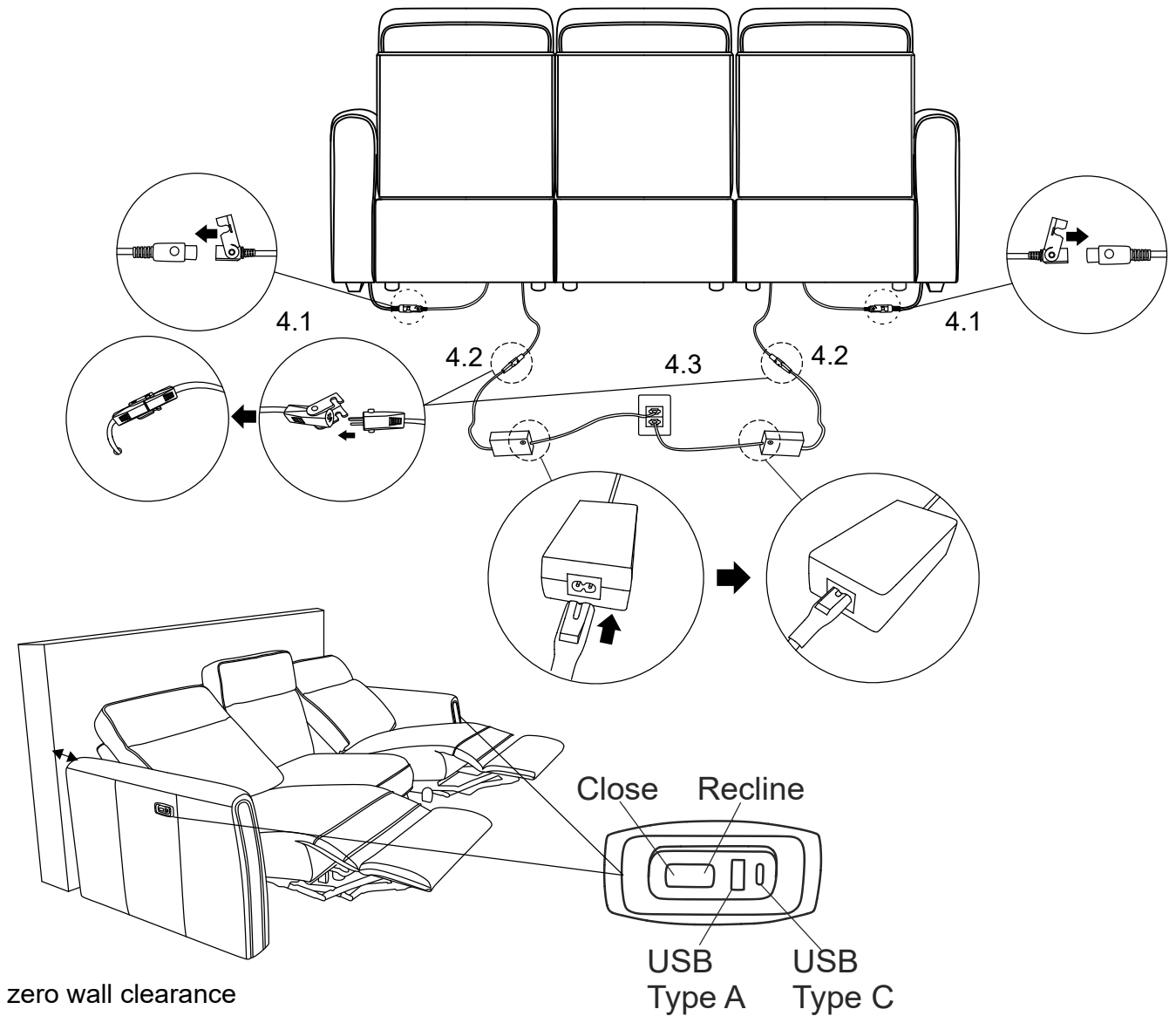
## Step 2.



## Step 3. Combination 1: Double Power Reclining Sofa (LSF + AC + RSF)



## Step 4: Power Connection.



### CARE INSTRUCTIONS FOR AIR LEATHER:

To maintain the original appearance of your fabric furniture, please follow the simple care procedures below:

- Avoid exposing furniture directly to sunlight or heating and air conditioning outlets. Exposure to sunlight or heating and air conditioning outlets will fade/damage fabric.
- Wipe gently with a damp soft cloth to remove dust, dirt and any grime build up.

**!** It is recommended to install protective pads under all legs and supports to avoid damage or scratches when placing furniture on a wood floor or other hard surface, and to limit indentation and prevent discoloration if placing on carpet.

**PLEASE KEEP ASSEMBLY INSTRUCTION FOR FUTURE REFERENCE**