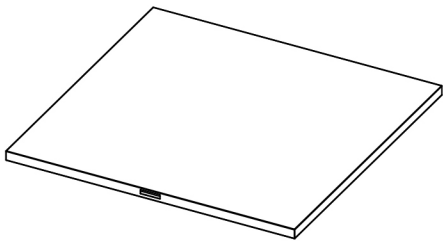
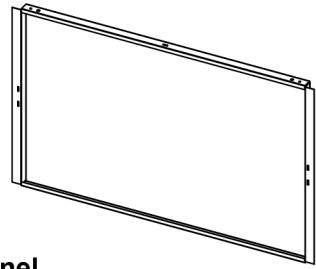


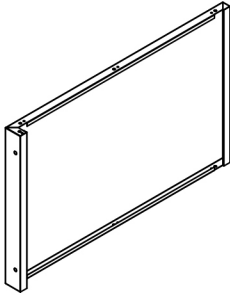
**NOTE: PLEASE AN ASSISTANT IS REQUIRED  
ES NECESARIO UN AYUDANTE UN ASSISTANT  
ESTNECESSAIRE.**



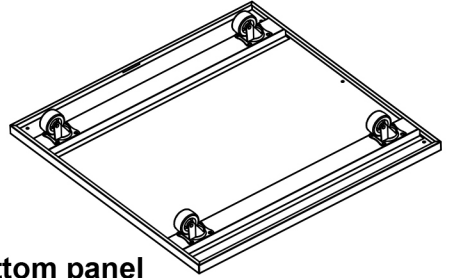
**A: Top panel**



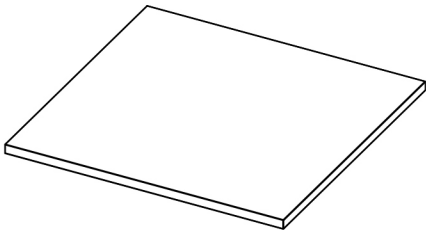
**B: Back panel**



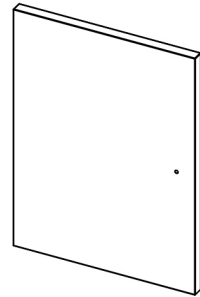
**C: Panel x2**



**D: Bottom panel**



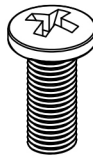
**E: Shelving**



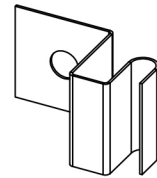
**F: Door x2**



**5x12 Screw x22**

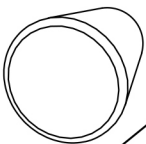


**4x8 Screw x4**



**Hinge x4**

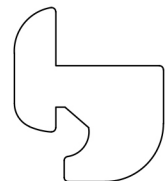
**Hold hands x2**



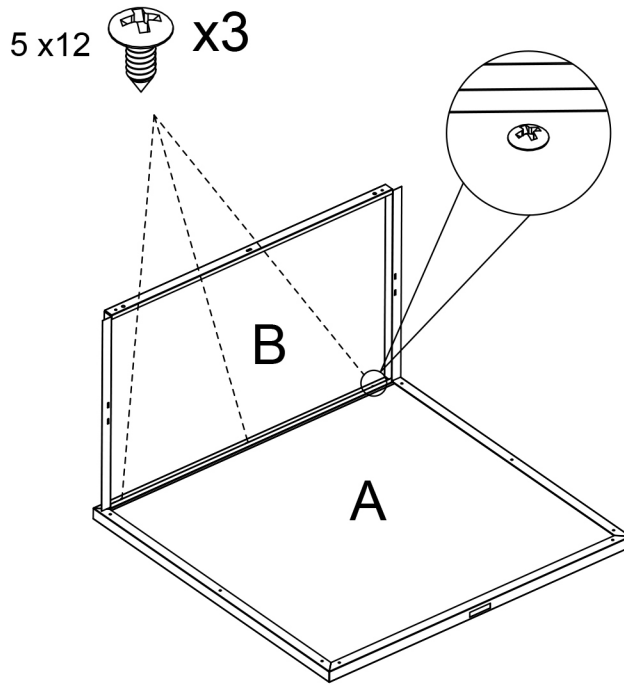
**Screw x2**



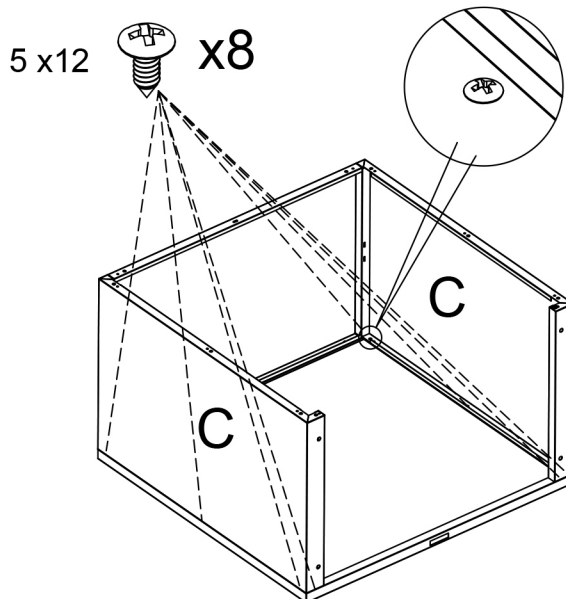
**Door-hinge x4**



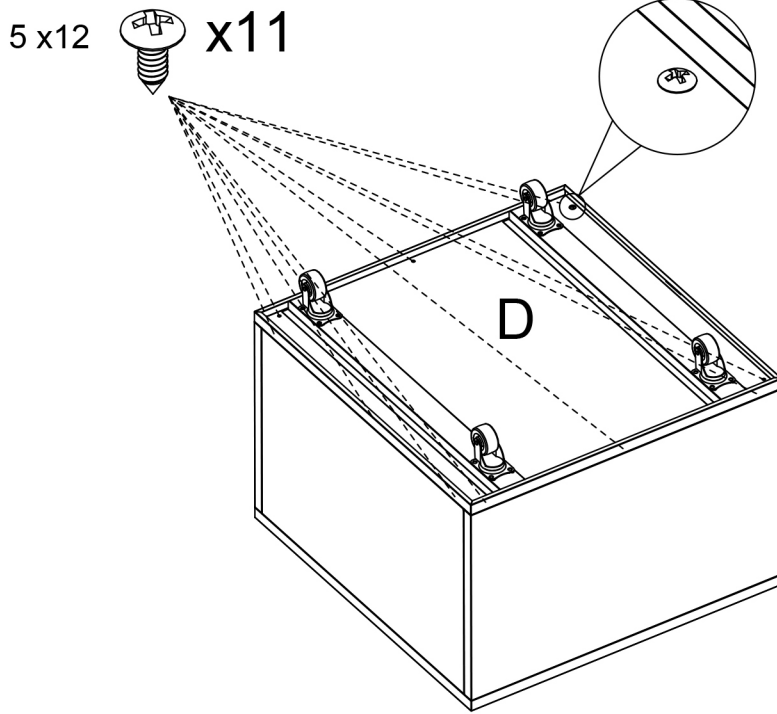
**Shelf support x4**



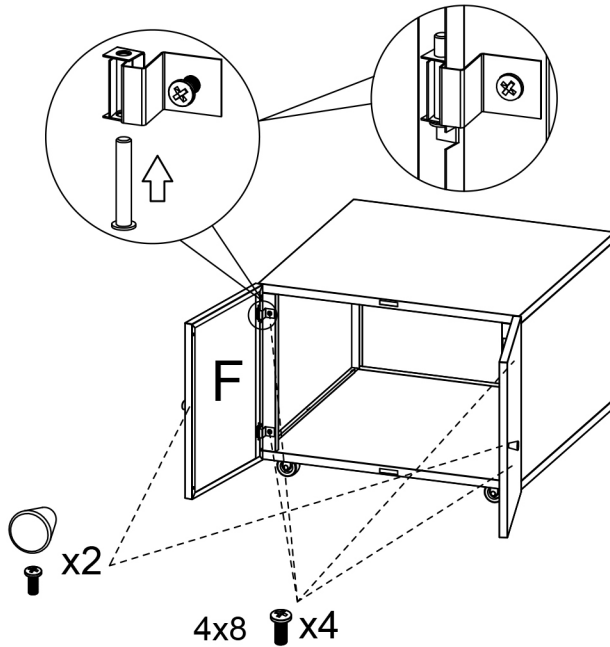
**1.Assemble A and B with screws.**



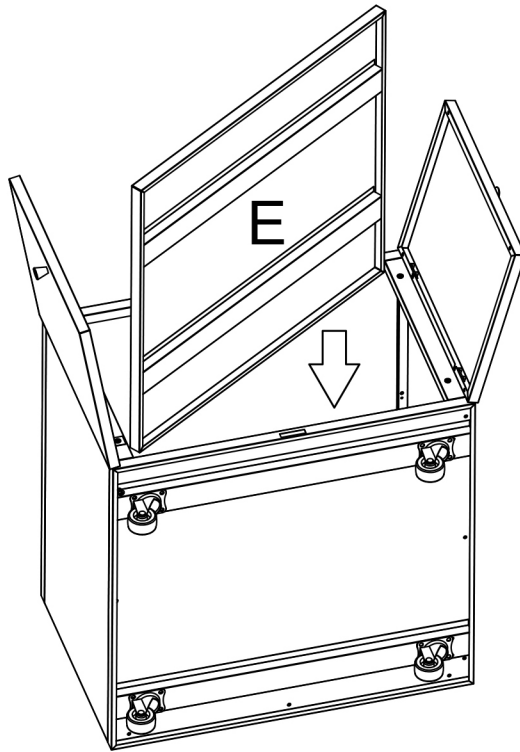
**2.Assemble C and B with screws.**



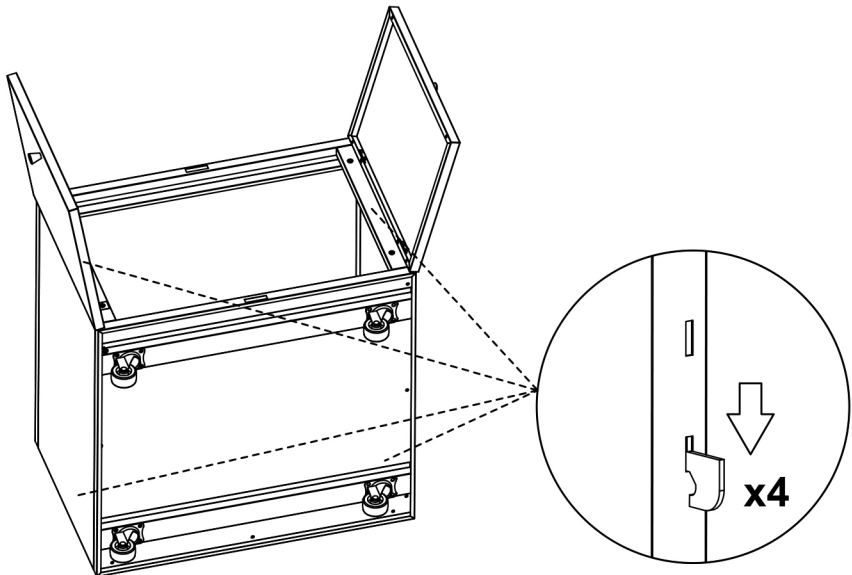
**3.Install D with screws**



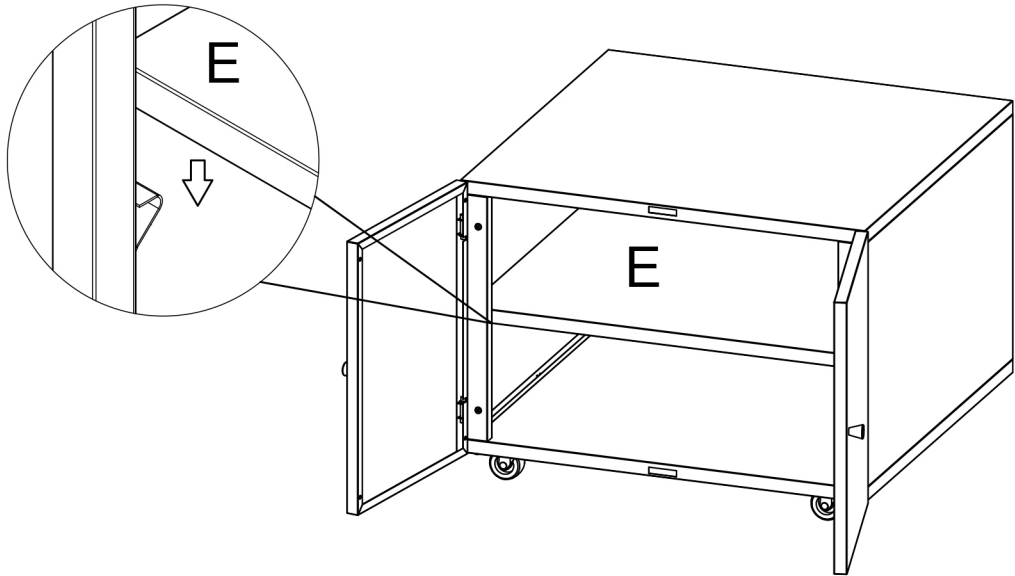
**4.Use screws to install hinges and door hinges, F install Hold hands**



5. Put in E



6. Install the Shelf support



#### 7. Place E well

### 8. Note

- Do not tighten the screws until the cabinet has been assembled.
- Watch out for small parts to avoid swallowing by children.
- Please use a proper screwdriver to avoid damage to the screws.
- Be careful not to get cut on the edges or smashed when you move the cabinet.
- Be careful not to squeeze your fingers when tightening screws.