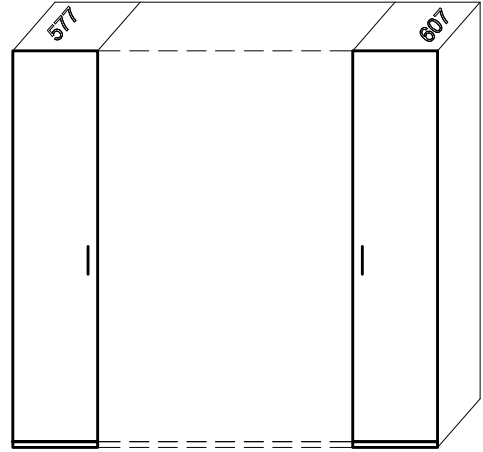
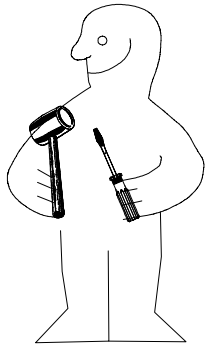
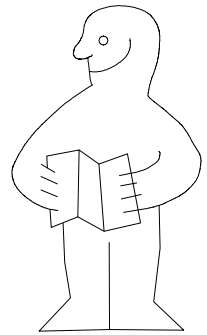
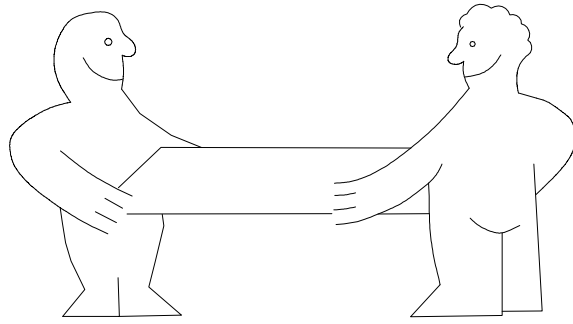
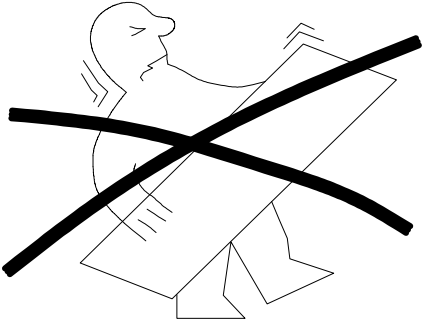


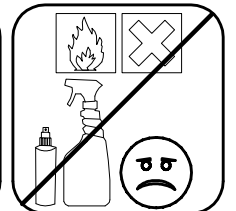
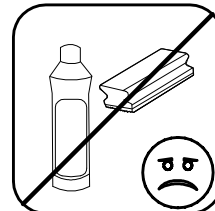
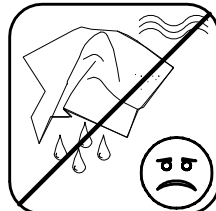
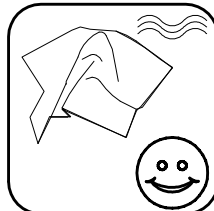
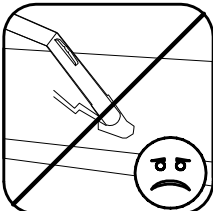
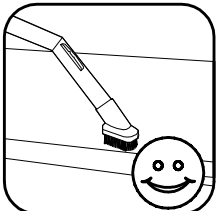
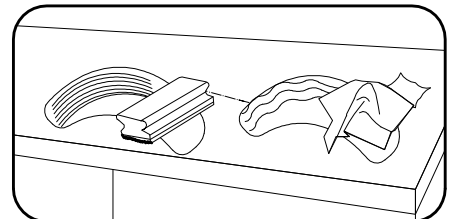
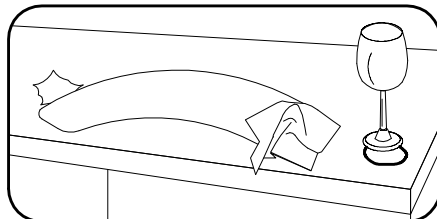
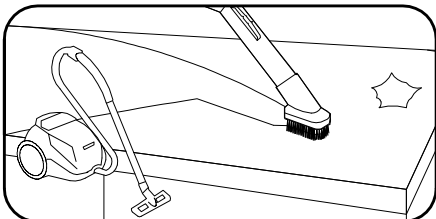
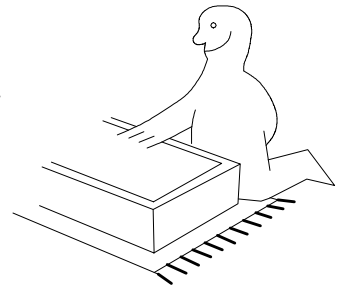
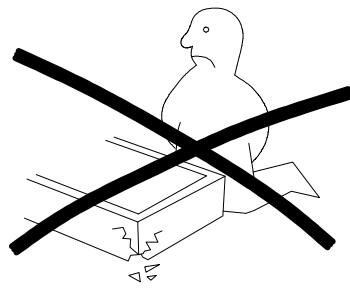
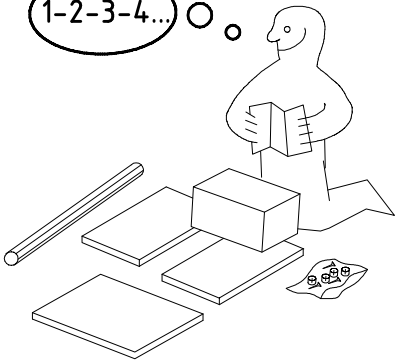
980337



NSP 2x43 EB



1-2-3-4...



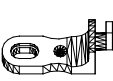


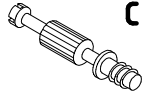
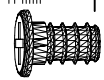

980337

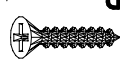
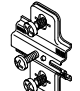
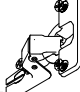

25.10.15 / -

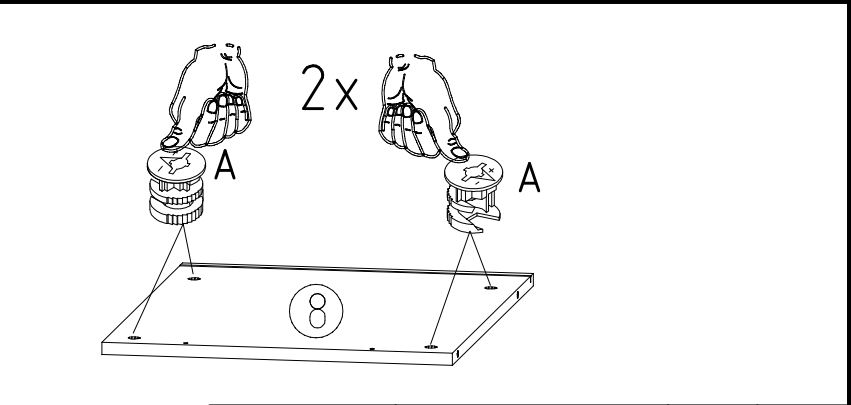
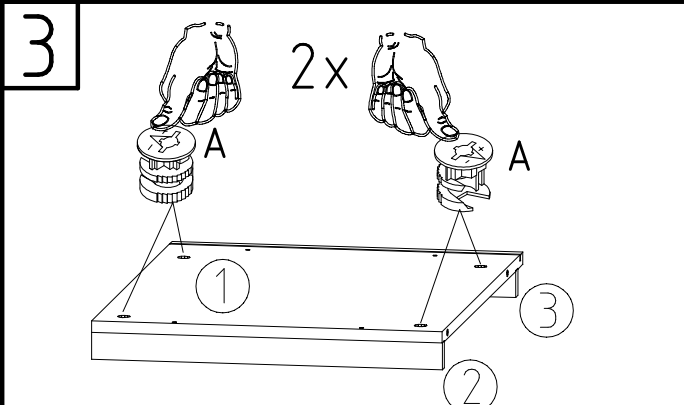
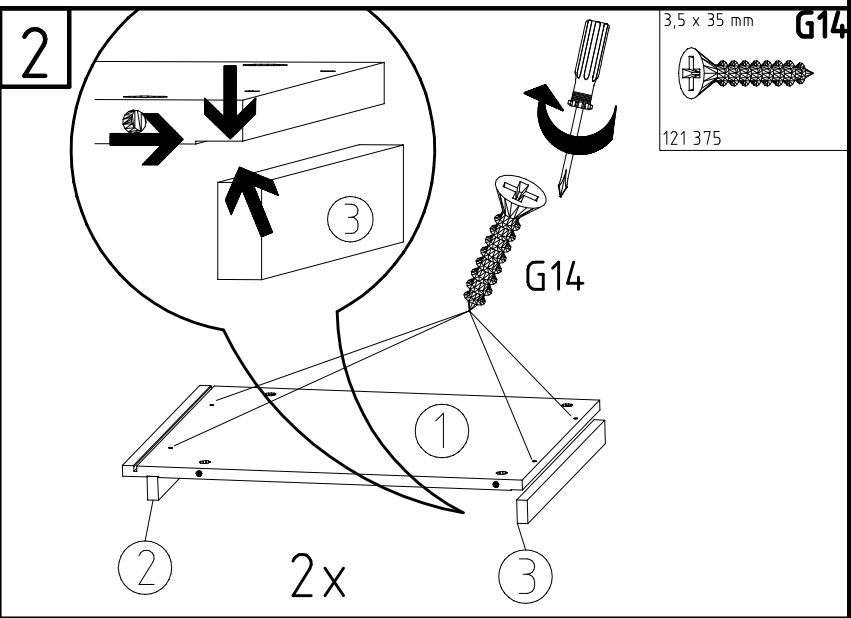
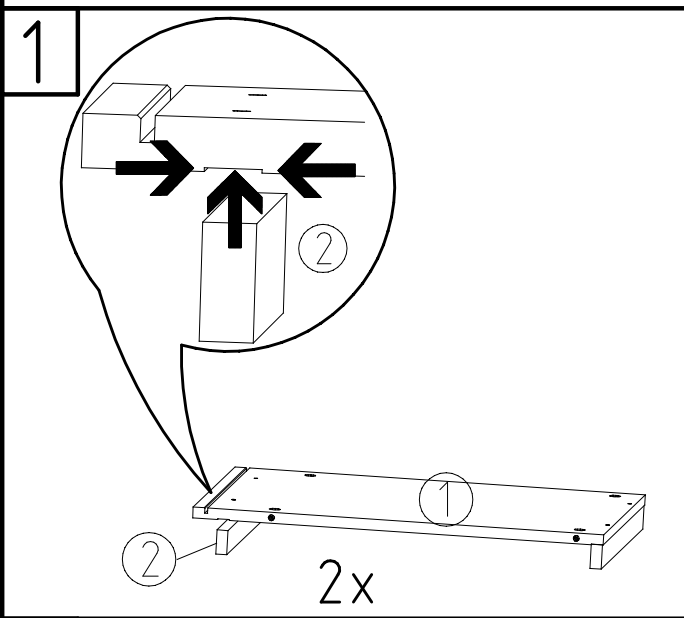
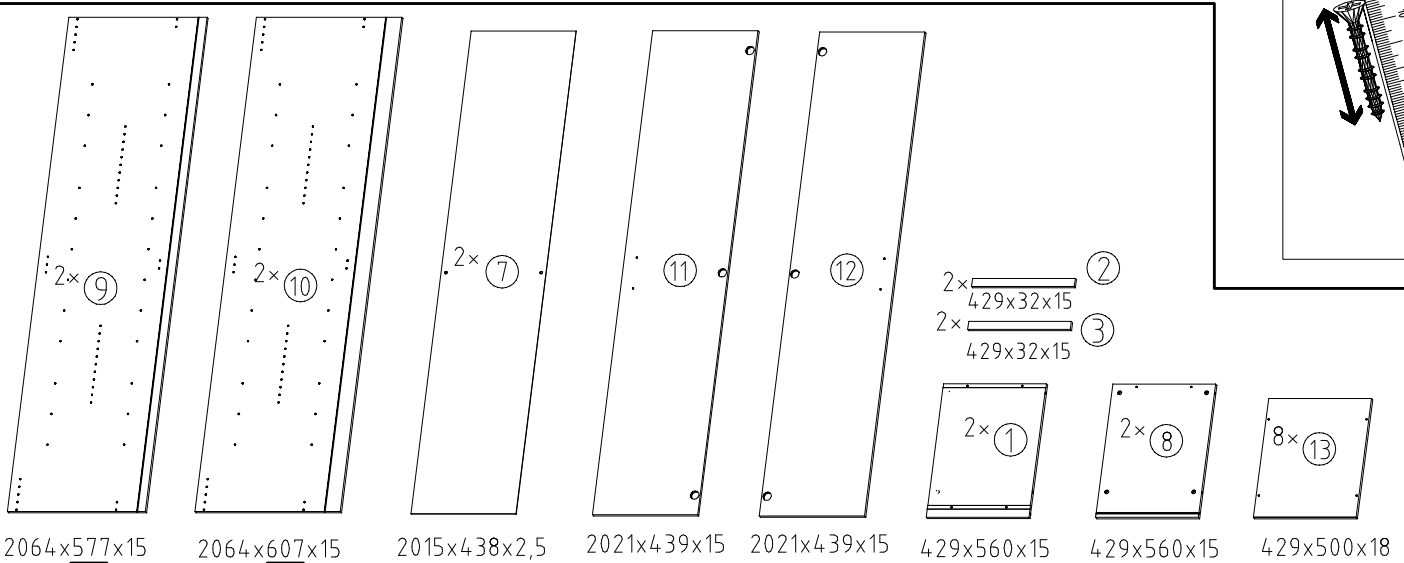
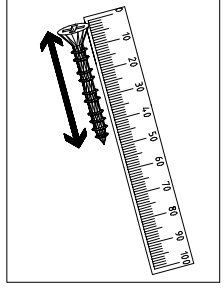
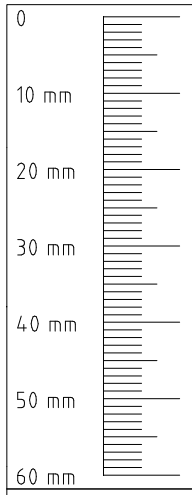
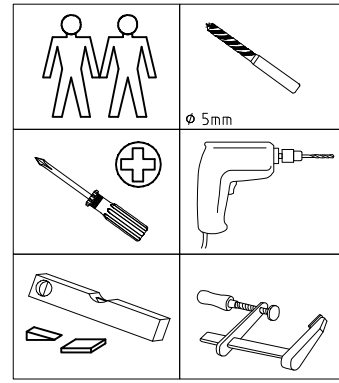
10 15

1/7

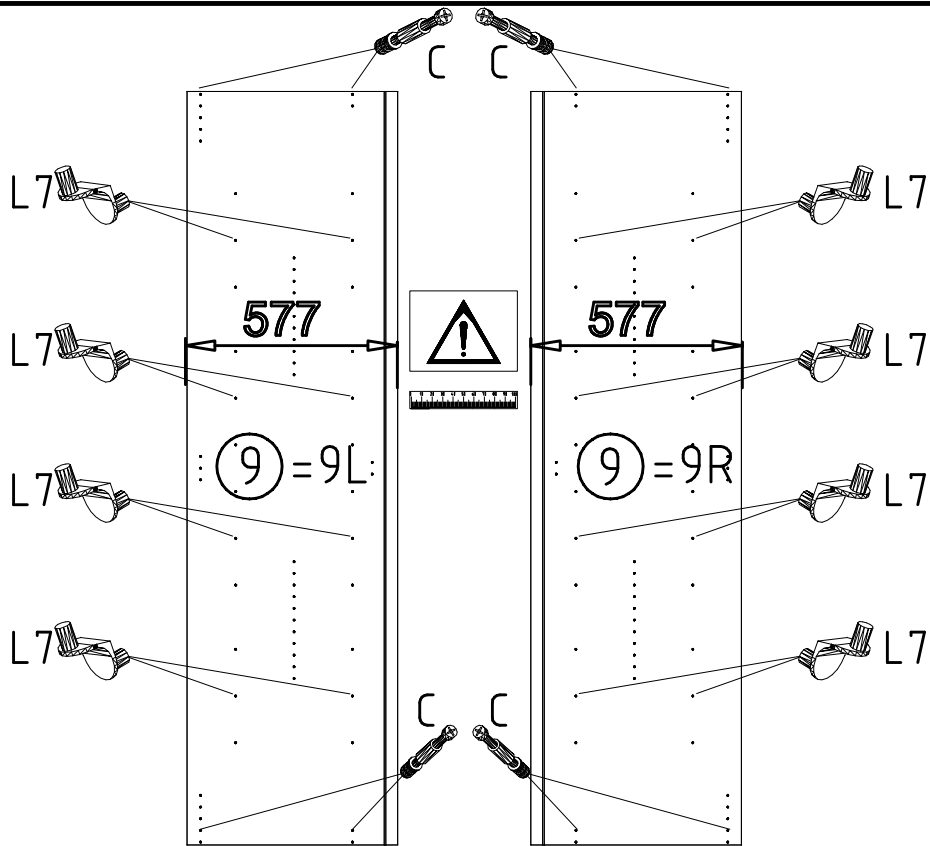
 111 102	A 16x
 111 610	L7 32x
 111 174	J1 4x

 111 103	C 16x
 M6 x 11 mm	T6 4x
 3,5 x 15 mm	G1 4x

 3,5 x 35 mm	G14 8x
 121 375	M 6x
 112 268	N 6x
 4 X 27mm	SP27 10x



4

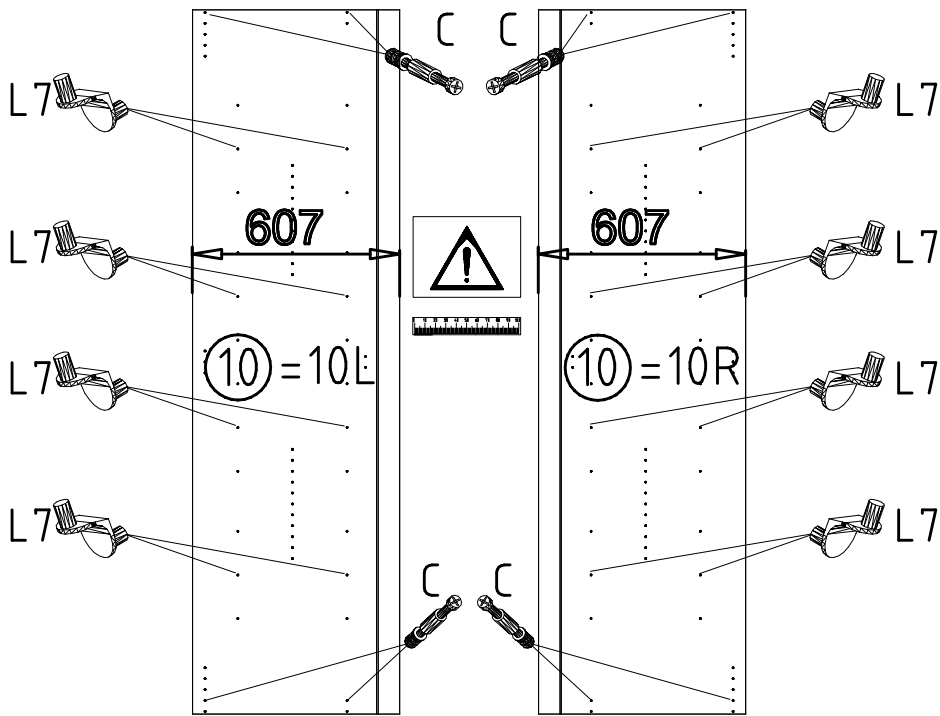


L7
111 610

+

C
111 103

5

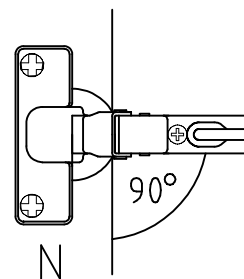
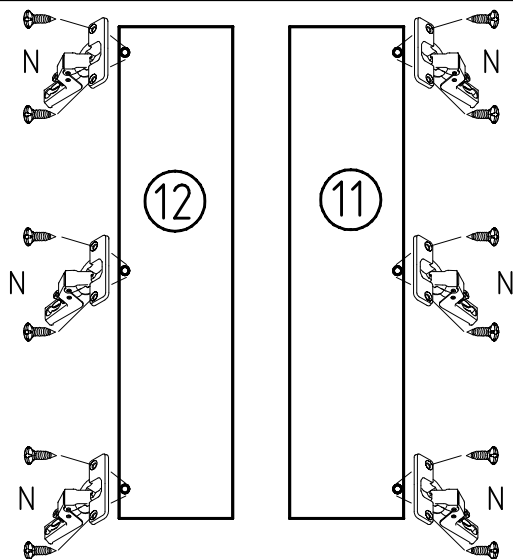


L7
111 610

+

C
111 103

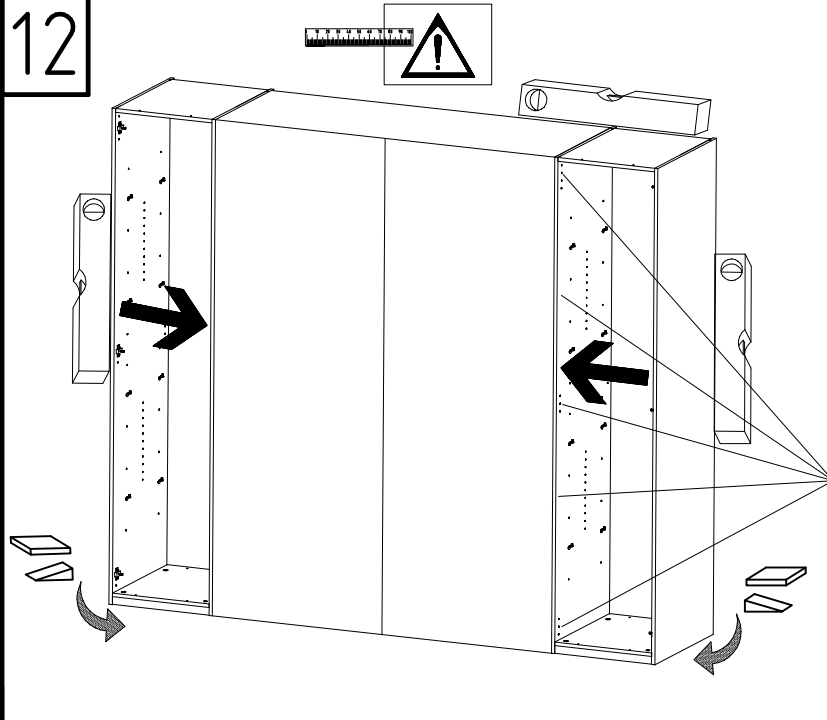
6



+

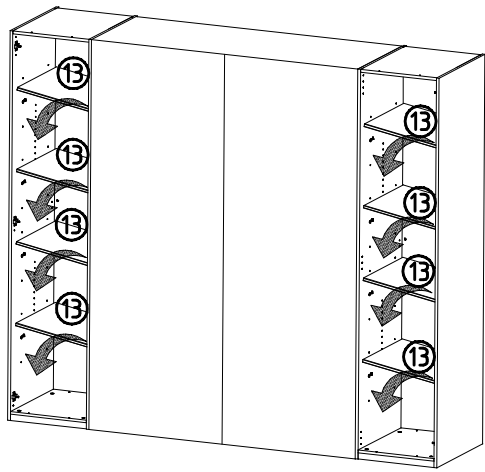
N
112 267

12



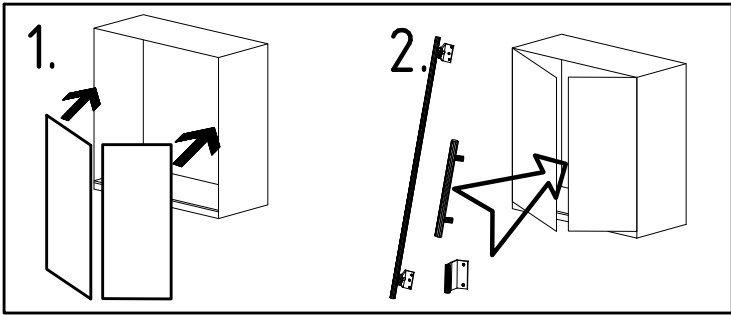
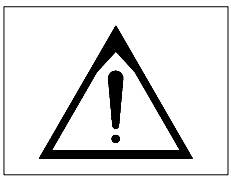
<p>SP27 4 x 27mm</p> <p>122620</p>		
<p>5x SP27</p>		

13

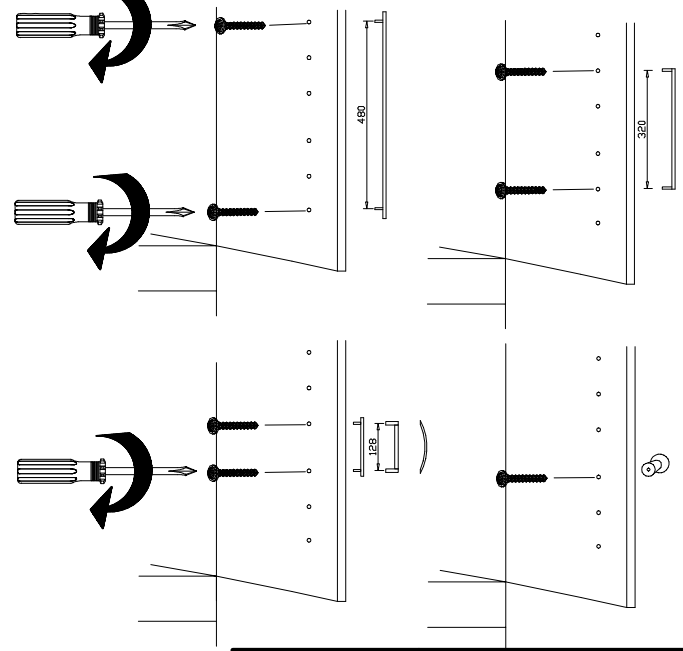
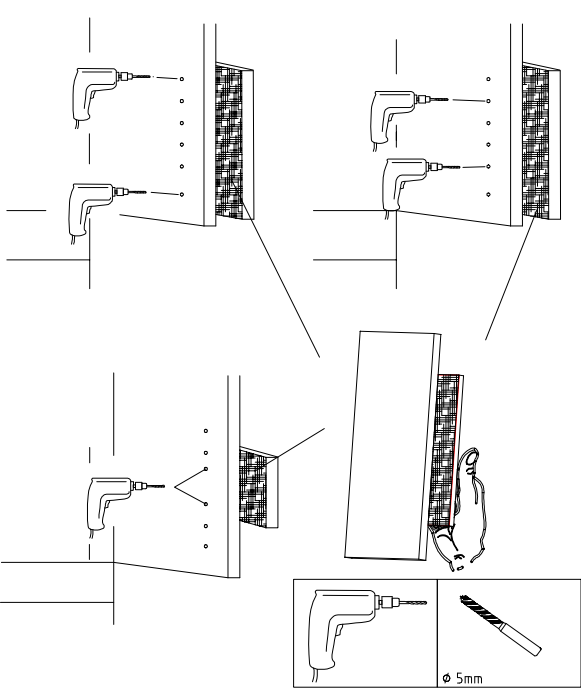
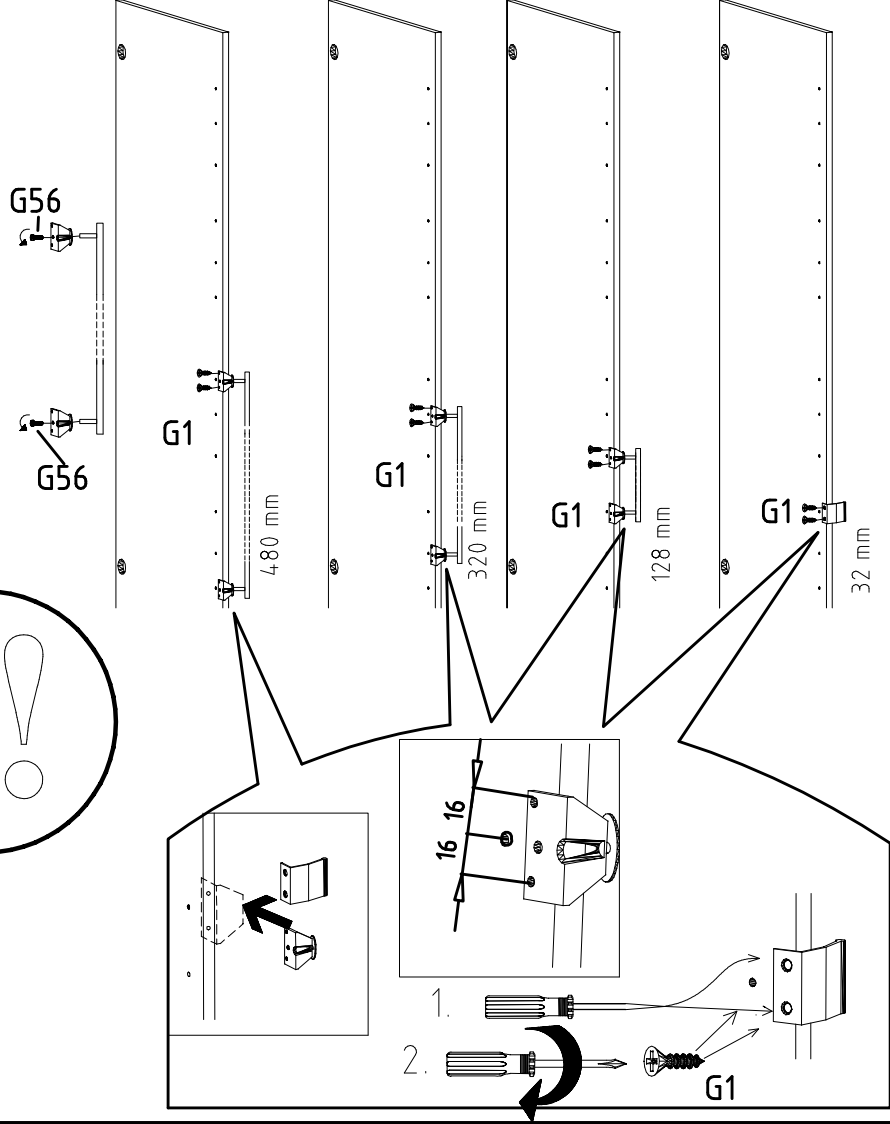
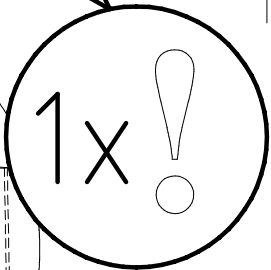
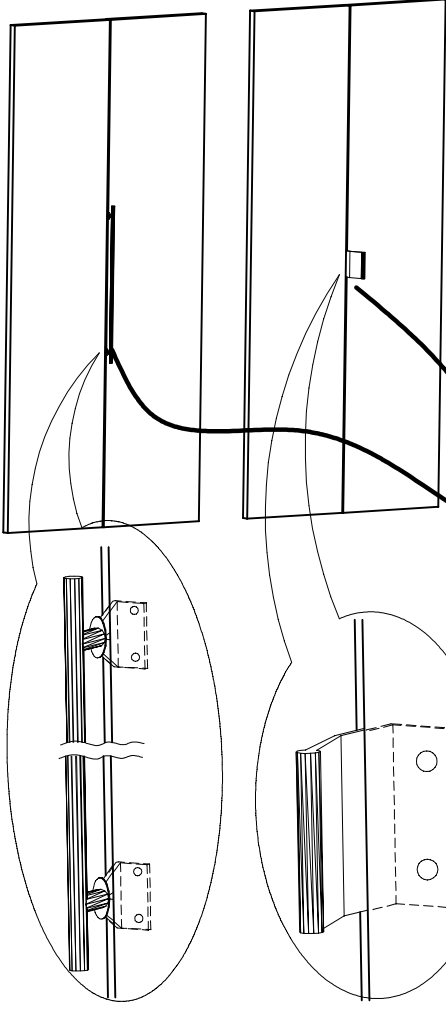


14

--	--



3,5 x 15 mm 121 370	G1	4,0 x 12 mm 122 625	G56
------------------------	----	------------------------	-----



SP27
4 X 27mm
122620
4,0x22
G49
122 609