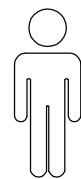
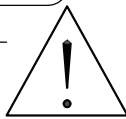
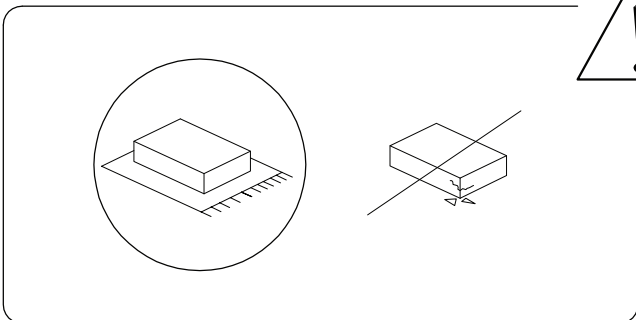
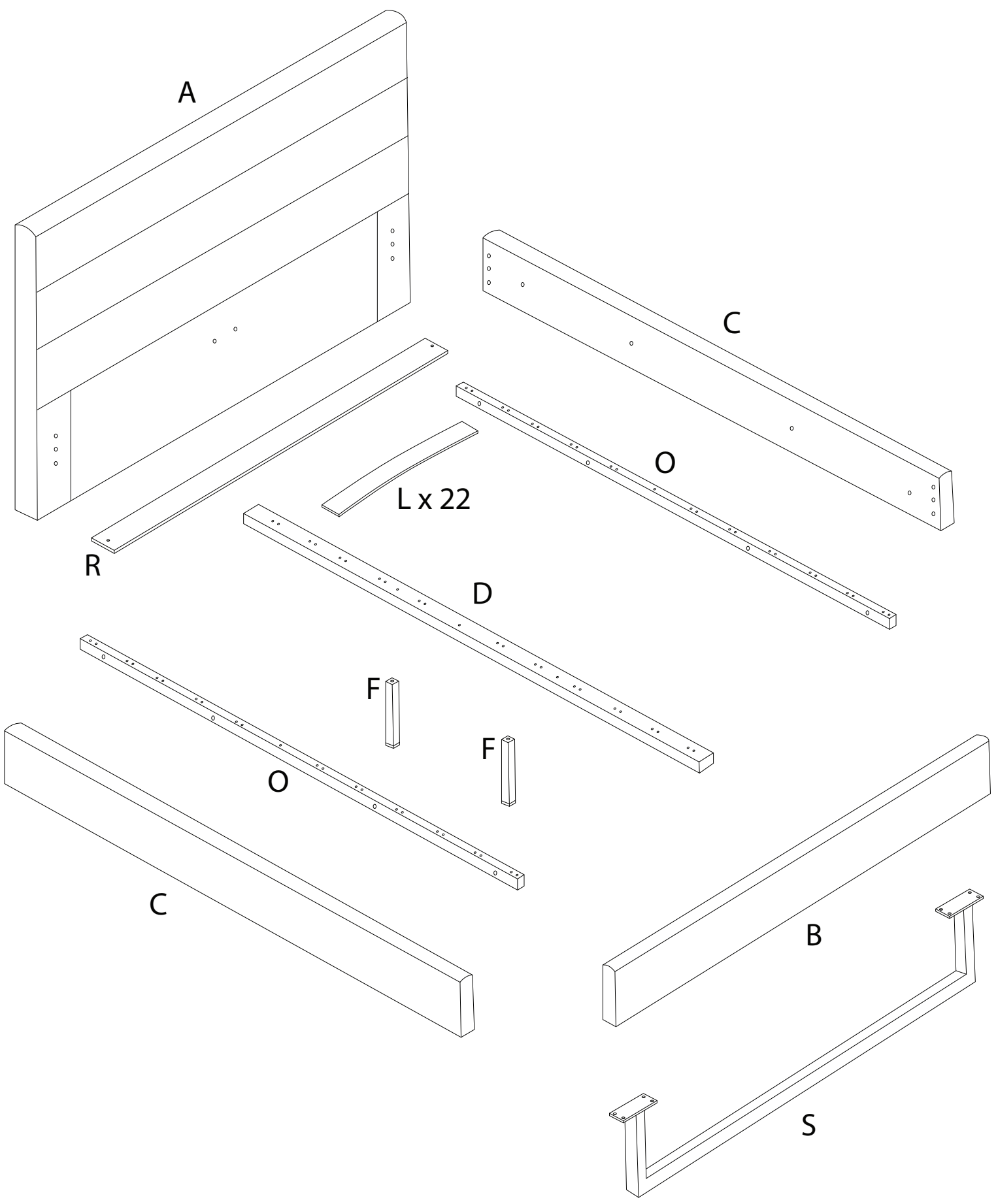
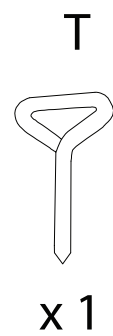
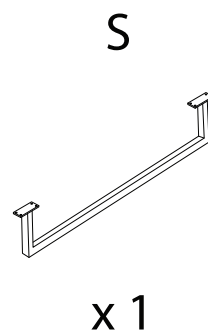
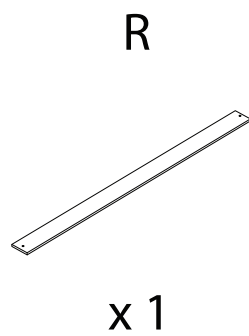
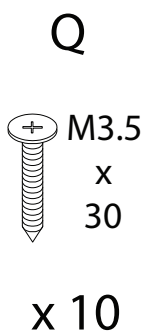
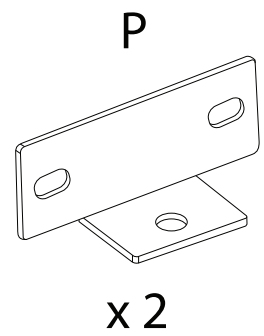
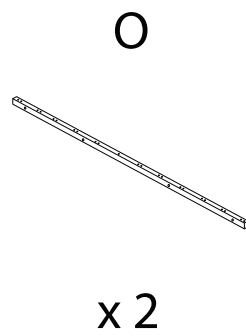
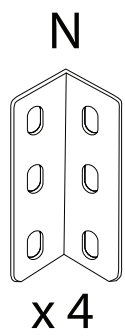
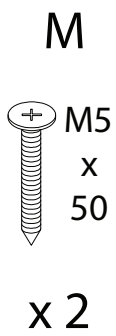
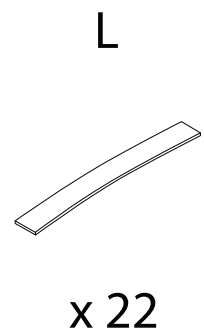
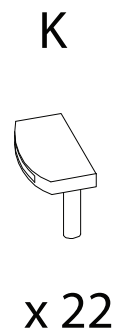
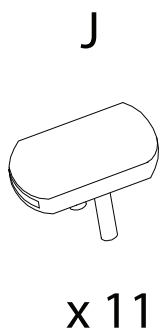
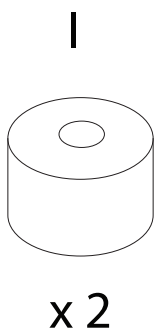
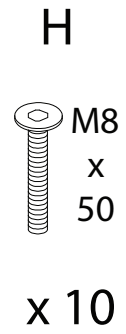
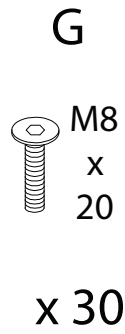
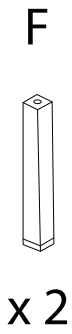
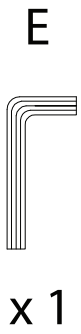
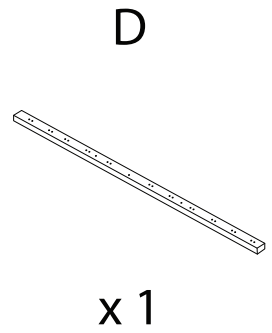
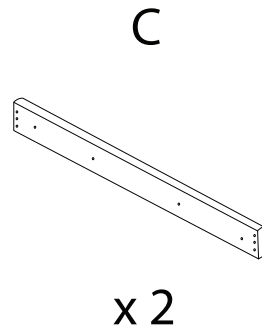
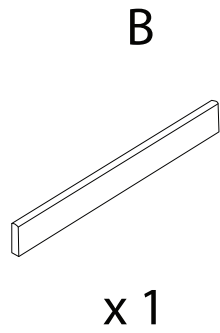
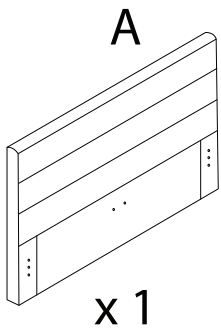


45'

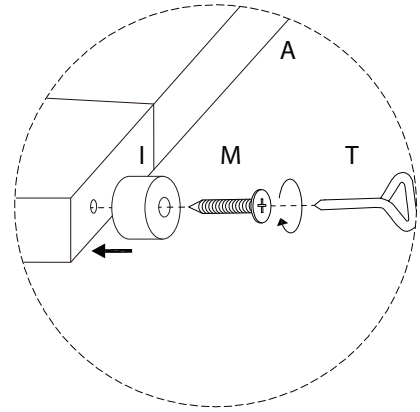
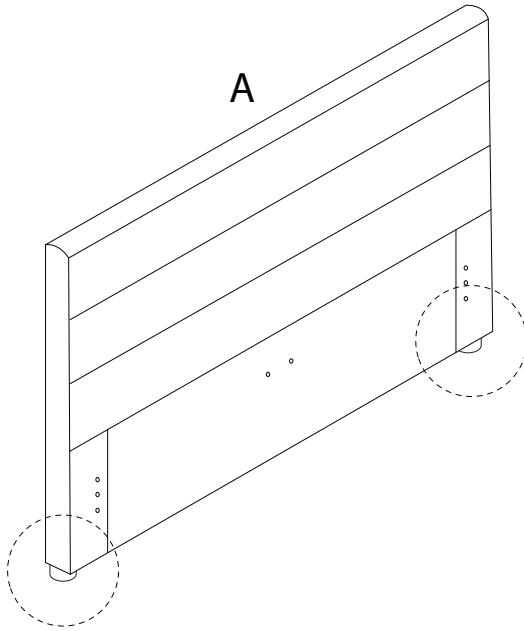
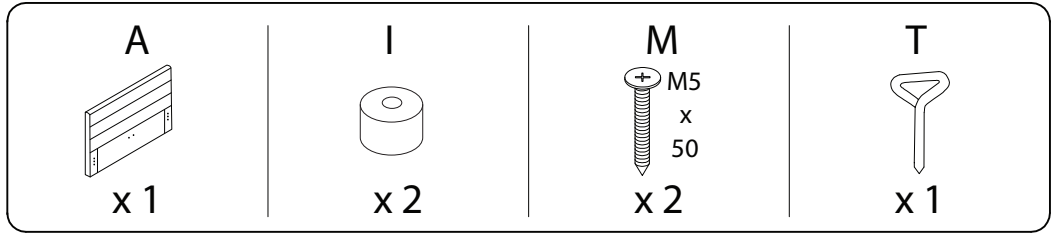


2

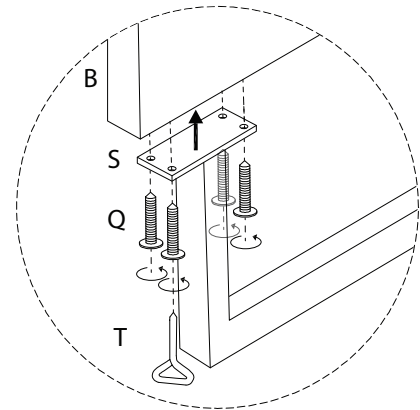
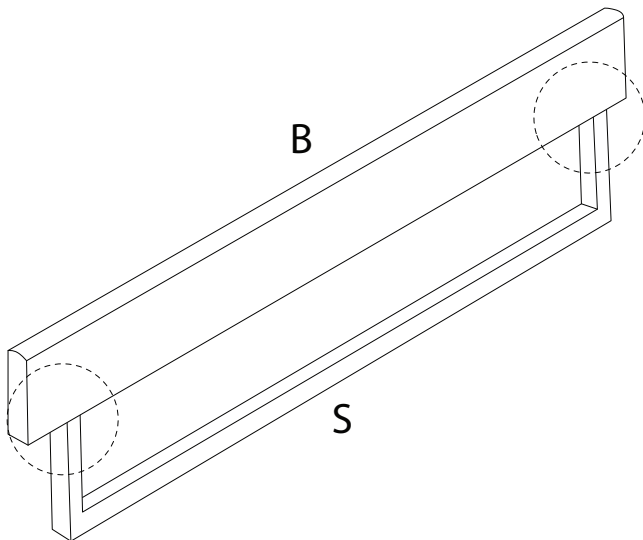
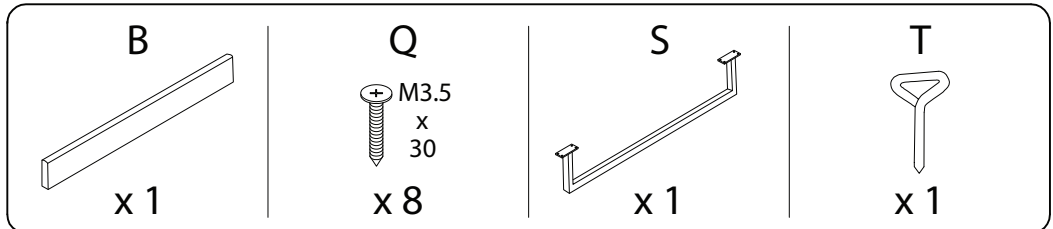




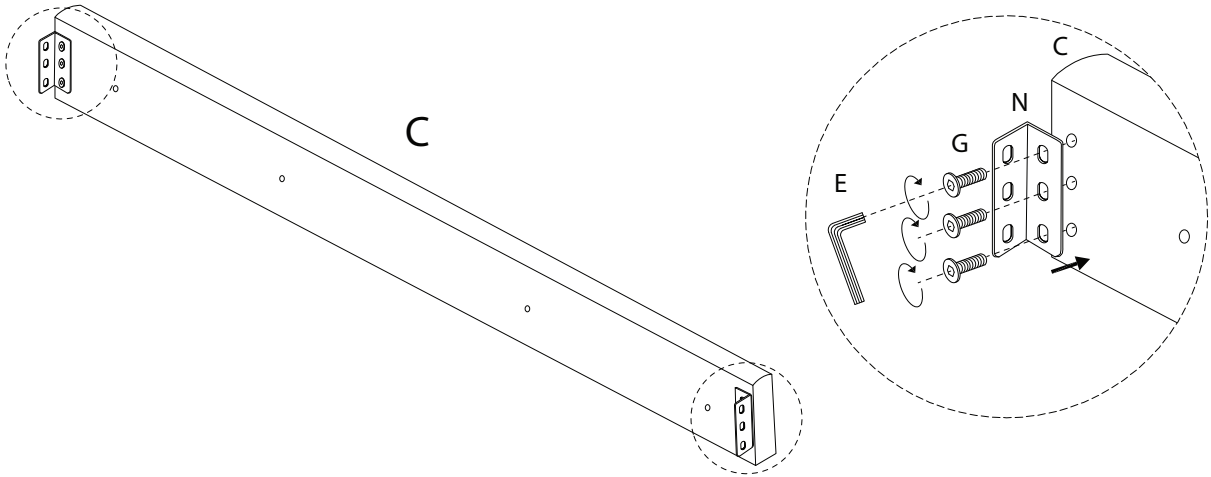
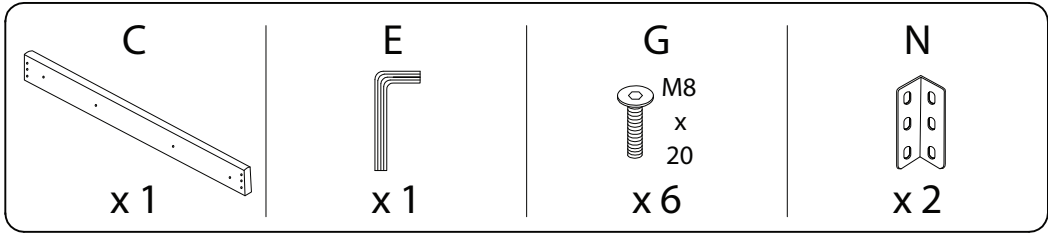
1



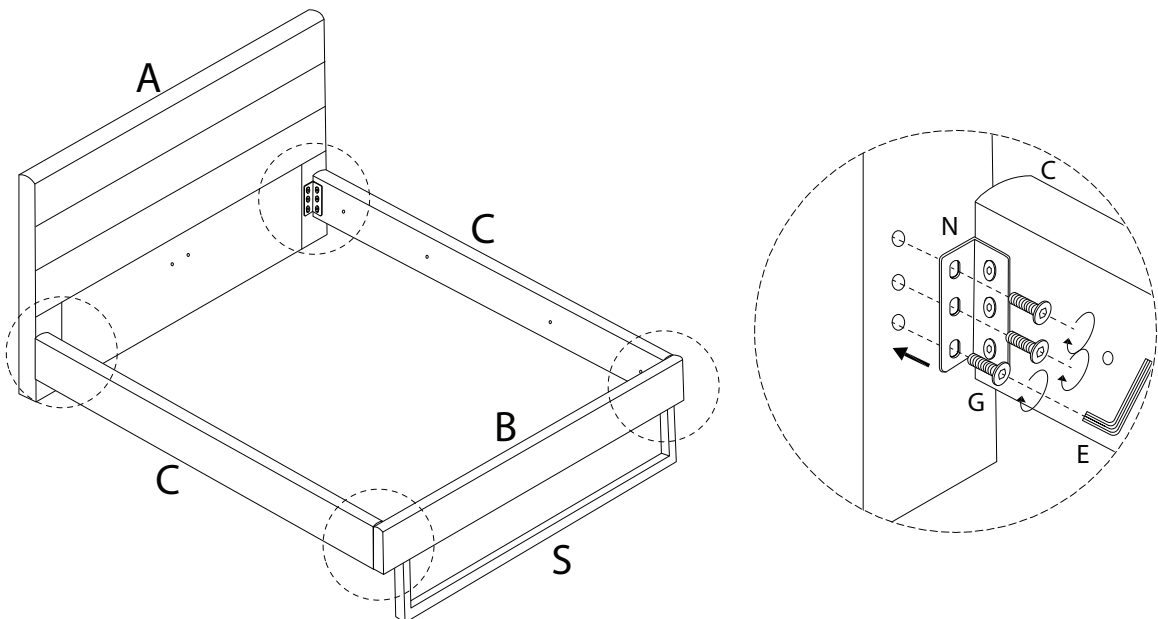
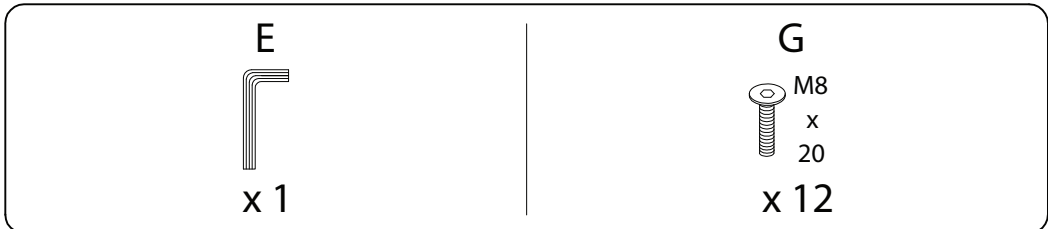
2



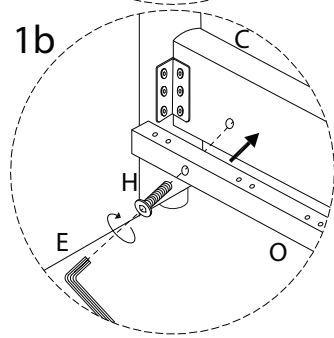
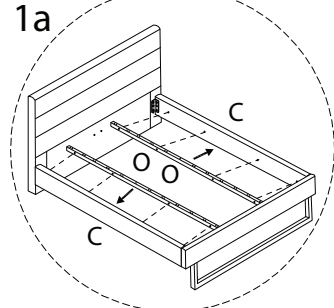
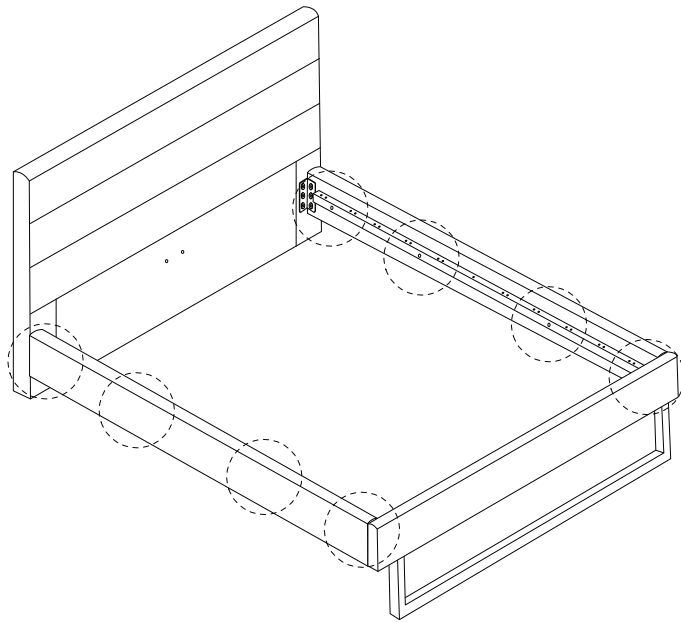
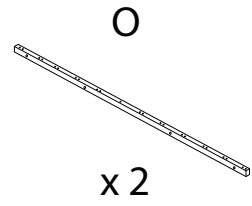
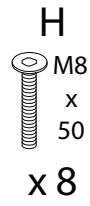
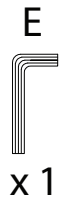
3 x 2



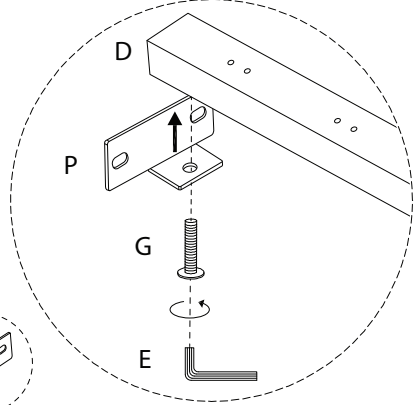
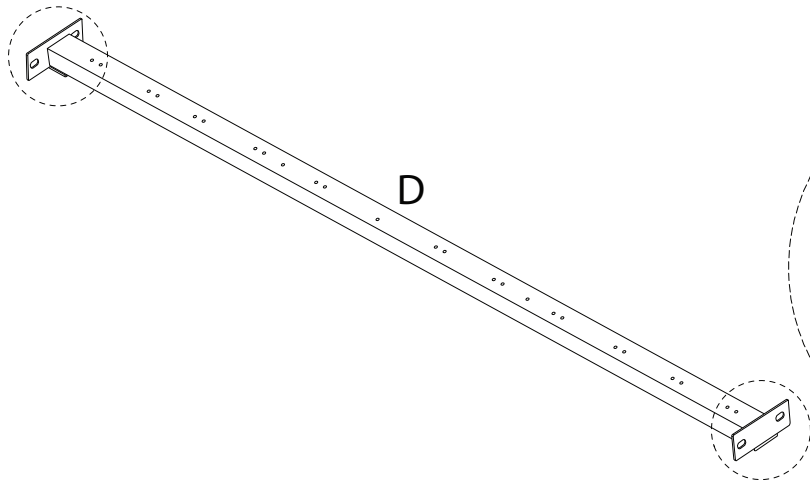
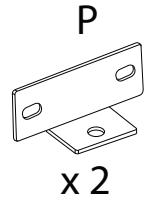
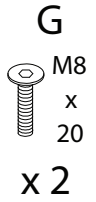
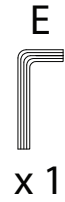
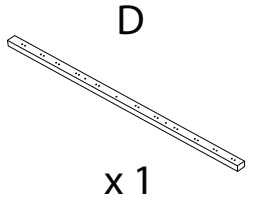
4



5



6

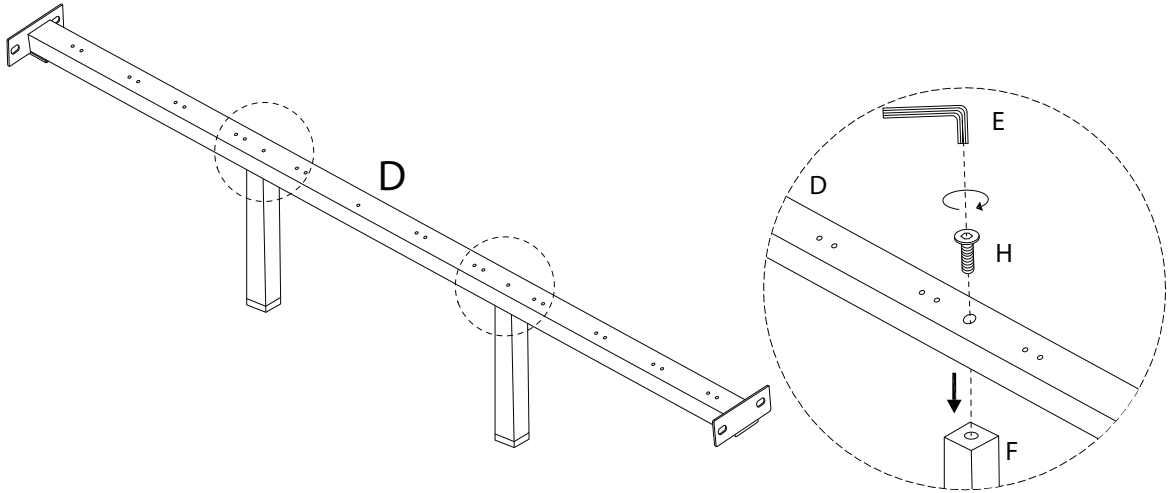


7

E
x1

F
x2

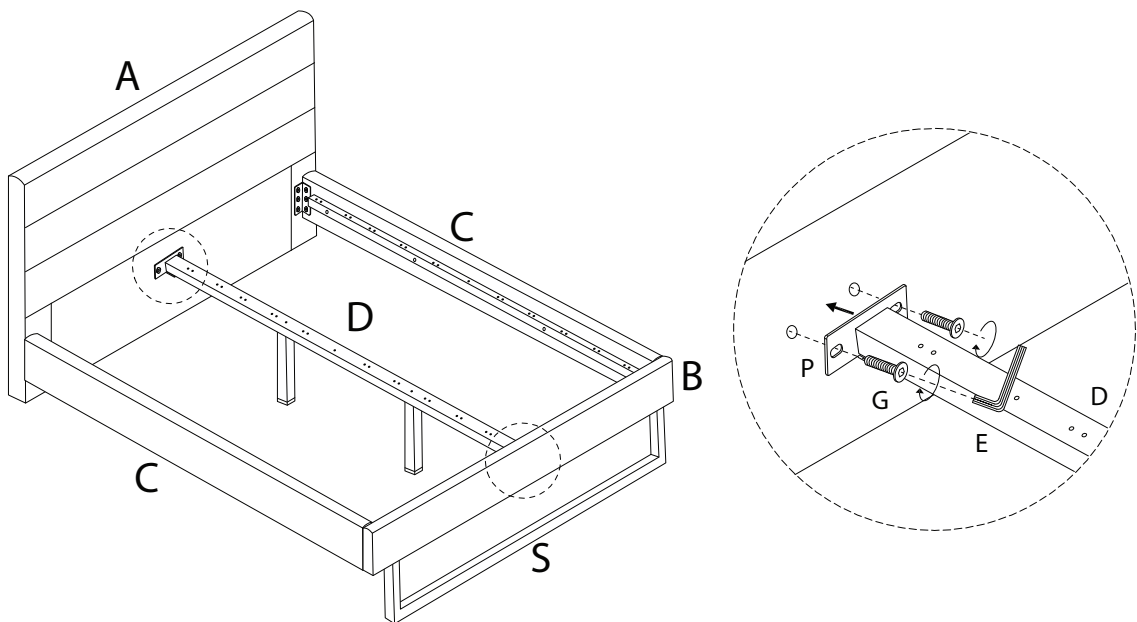
H
M8
x
50
x2



8

E
x1

G
M8
x
20
x4

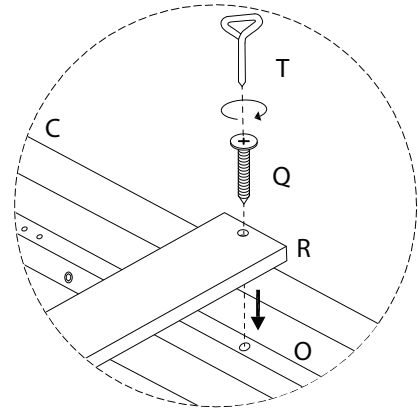
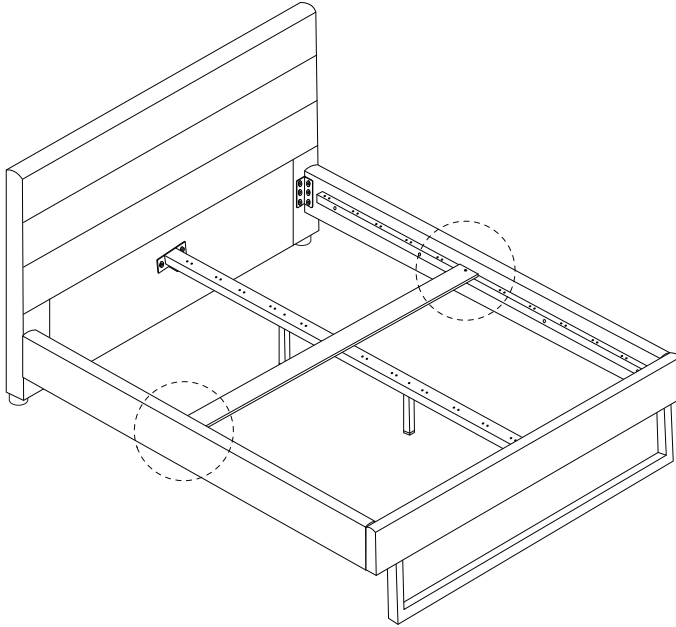


9

Q
M3.5
x
30
x2

R
x1

T
x1

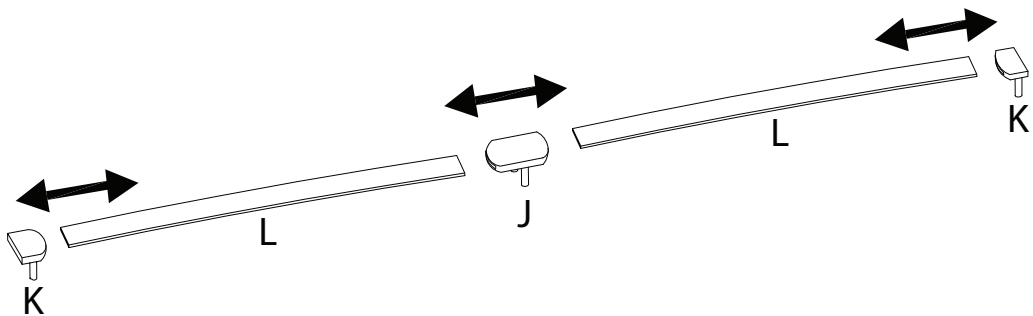


10

J
x11

K
x22

L
x22



11

