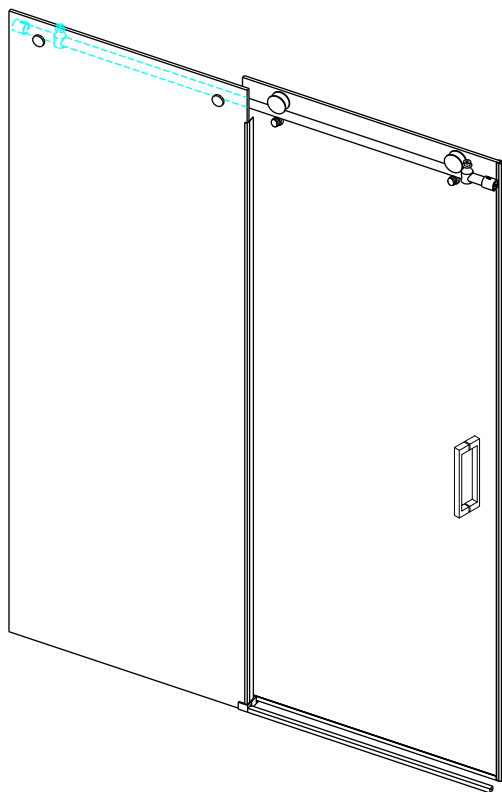


INSTALLATION INSTRUCTIONS



Trouble shooting:

Missing / Wrong / Broken parts and installation issues



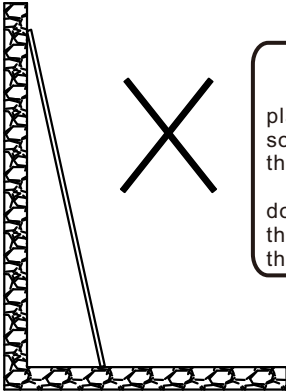
Send email with your question, pic and order NO. to
support@idealhouse.vip



Respond within 24 hours



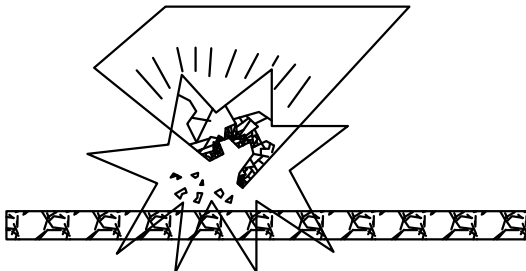
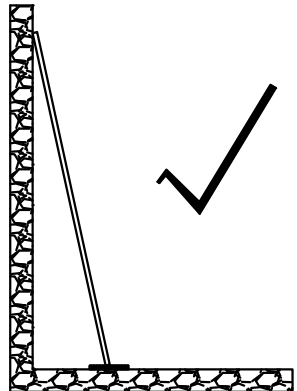
Issue resolved



WARNING

When the glass is placed upright, something soft should be placed on the bottom.

Tempered Glass, please don't hit the corners and the surrounding, otherwise the glass will burst.





Part list



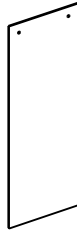
[01] x1
Aluminum Seal



[02] x1
Top rail



[03] x1
Door panel



[04] x1
Fixed panel



[05] x1
Gasket



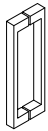
[06] x1
Gasket



longer
[07A] x1
Gasket



shorter
[07B] x1
Gasket



[08] x1
Handleset



[09] x2
Anti-collision
Component



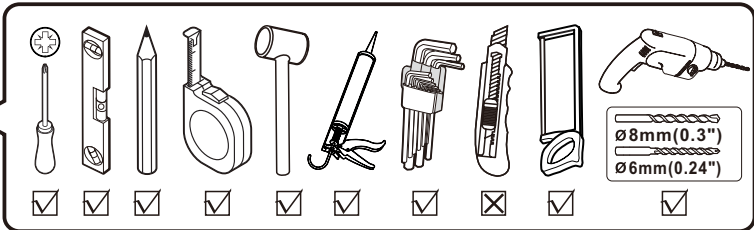
[10] x2
Top Roller

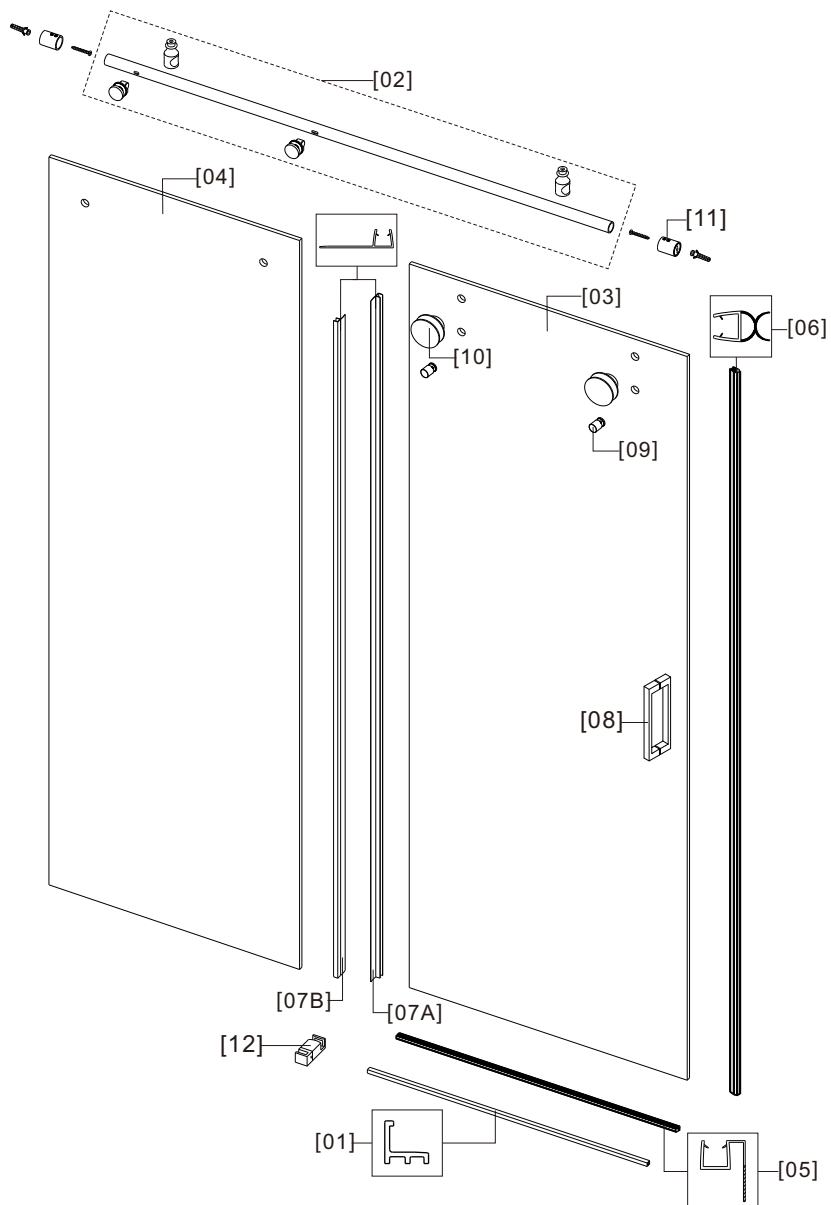


[11] x2
Wall cover



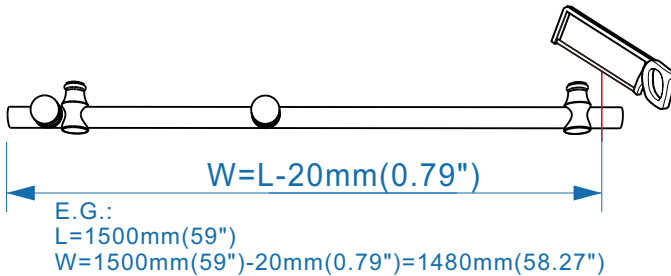
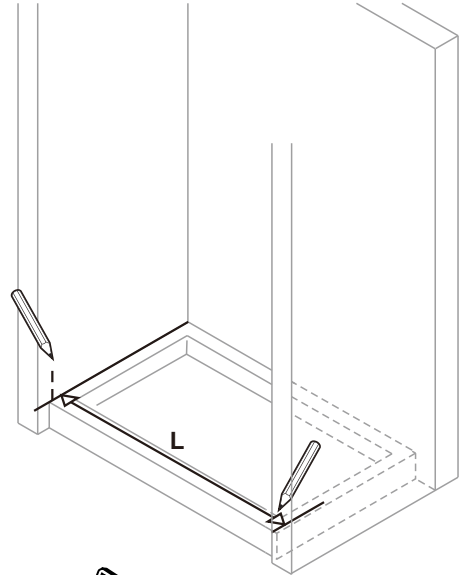
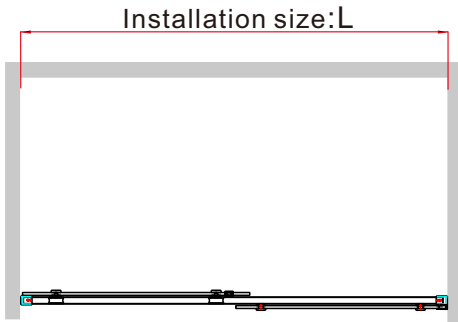
[12] x1
Door Guider





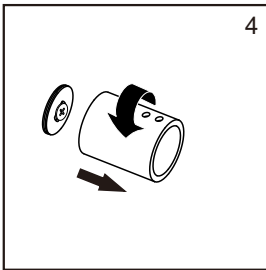
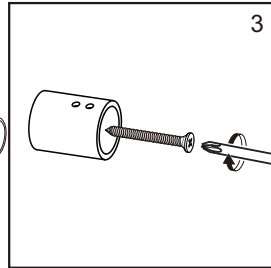
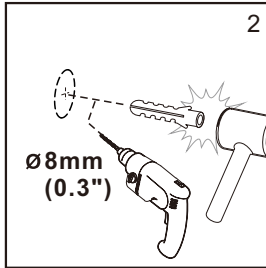
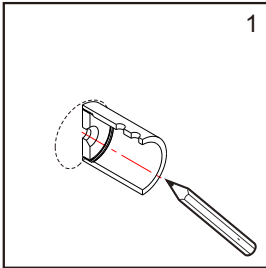
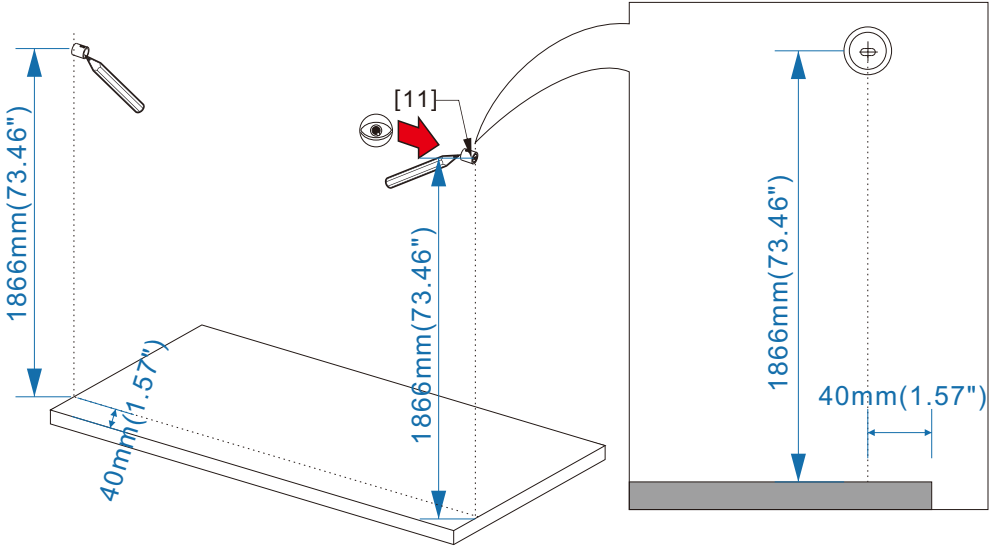


01



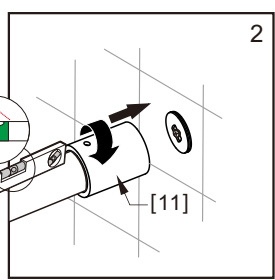
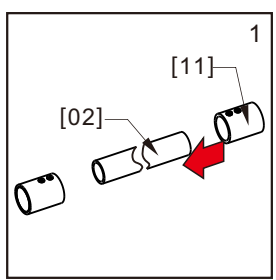
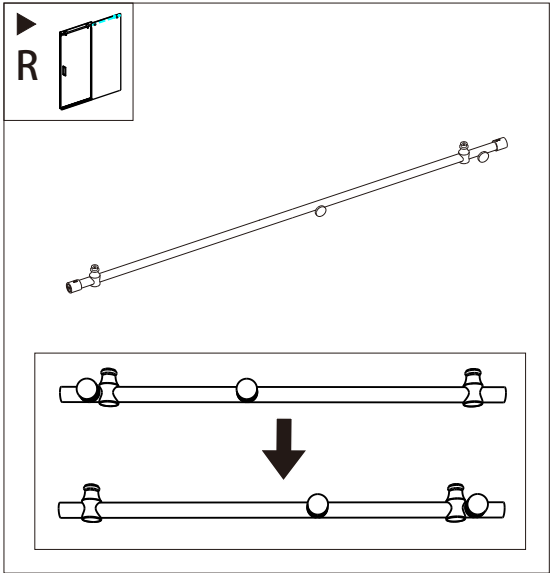
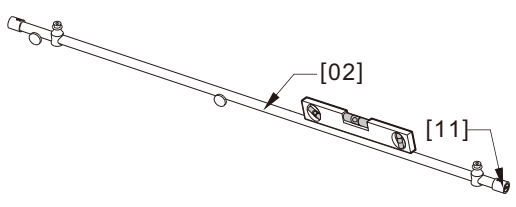
1. Measuring Installation size L
2. When you need to cut short, cut at the end of the diagram. After cutting, the track length W is 20mm (0.79")

02

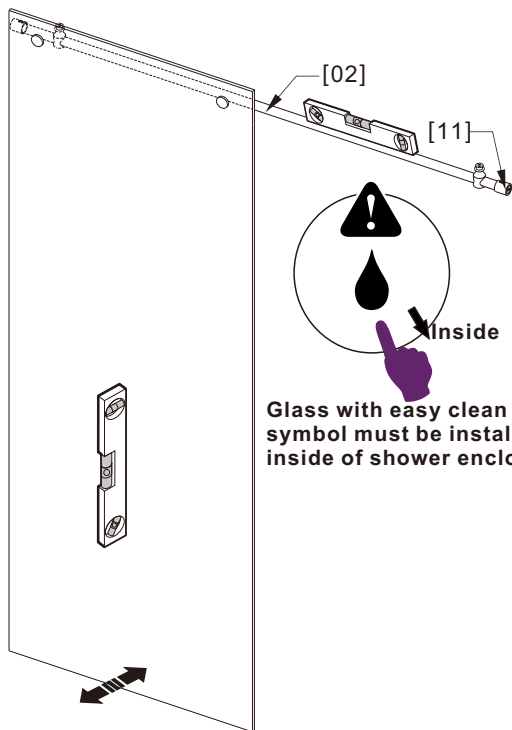


1. Measuring [11] wall sleeve installation location, draw the line: center wall cover should be 1866mm(73.46") distance from bottom basin or floor, 40mm (1.57") distance from edge.
2. Drill with $\varnothing 8\text{mm}$ (0.3") bit and insert expansion cover.
3. Screw the Wall Cover.
4. Unscrew wall cover along anticlockwise direction.

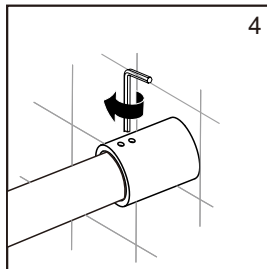
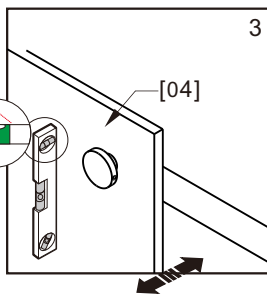
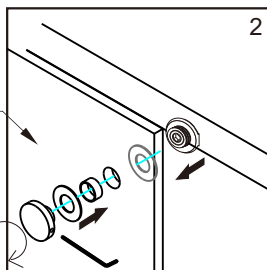
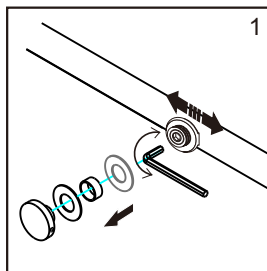
03



- ❶. Insert the removed wall sleeve into both ends of the tube.
- ❷. The top rail should be [02] against the wall cover base, and tighten the wall cover, pay attention to keep the top rail level.

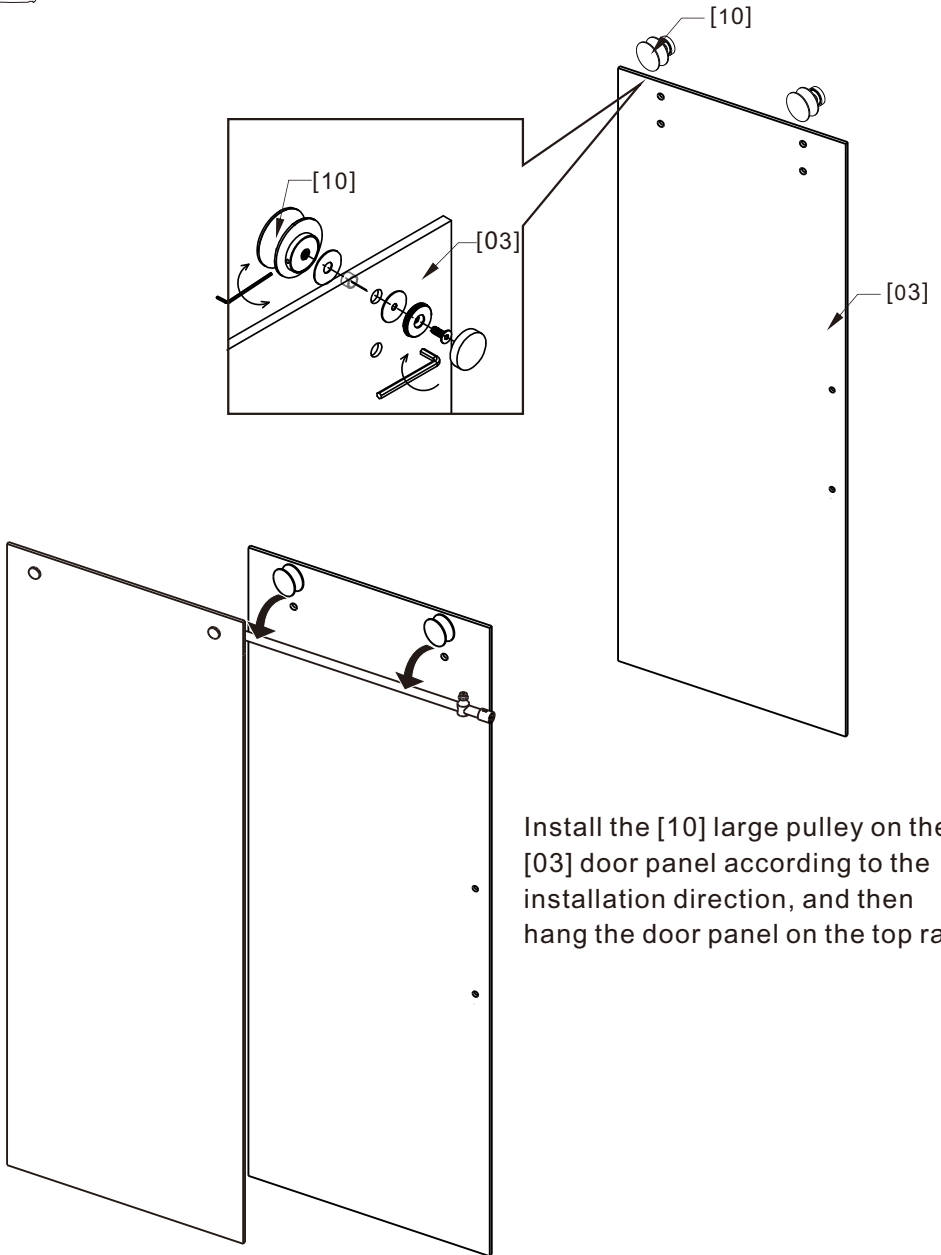


Glass with easy clean symbol must be installed inside of shower enclosure



- ❶. Remove the pipe clamp on the top rail [02] .
If the gap between the glass and the wall is too large during installation, the position of the pipe clamp can be adjusted.
- ❷. Connect [02] top rail to [04] fixed panel and lock them.
- ❸. Adjust the position of the fixed panel so that the bubble of the horizontal ruler is in the middle position and the fixed glass is perpendicular to the horizontal plane.
- ❹. Tighten the top wire of the wall sleeve with a hexagon wrench 1.

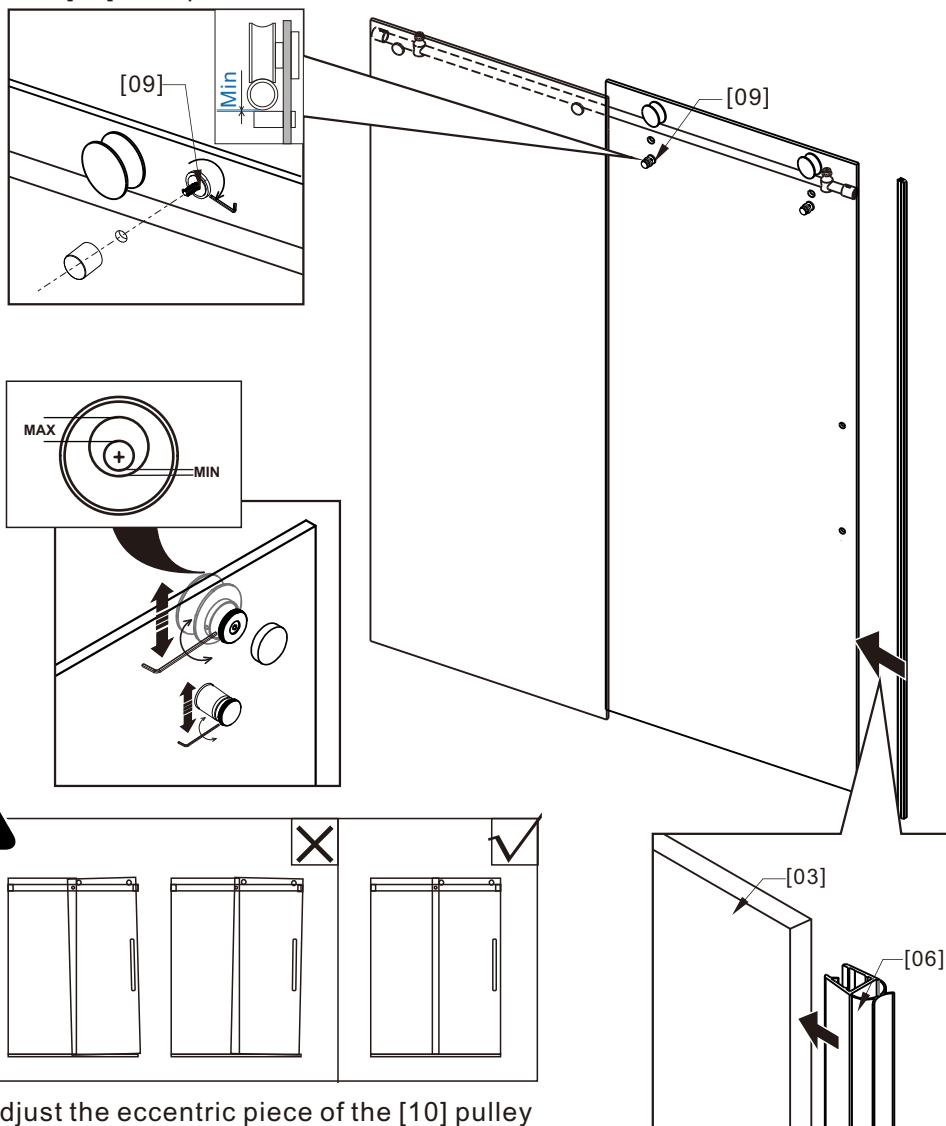
05



Install the [10] large pulley on the [03] door panel according to the installation direction, and then hang the door panel on the top rail.

06

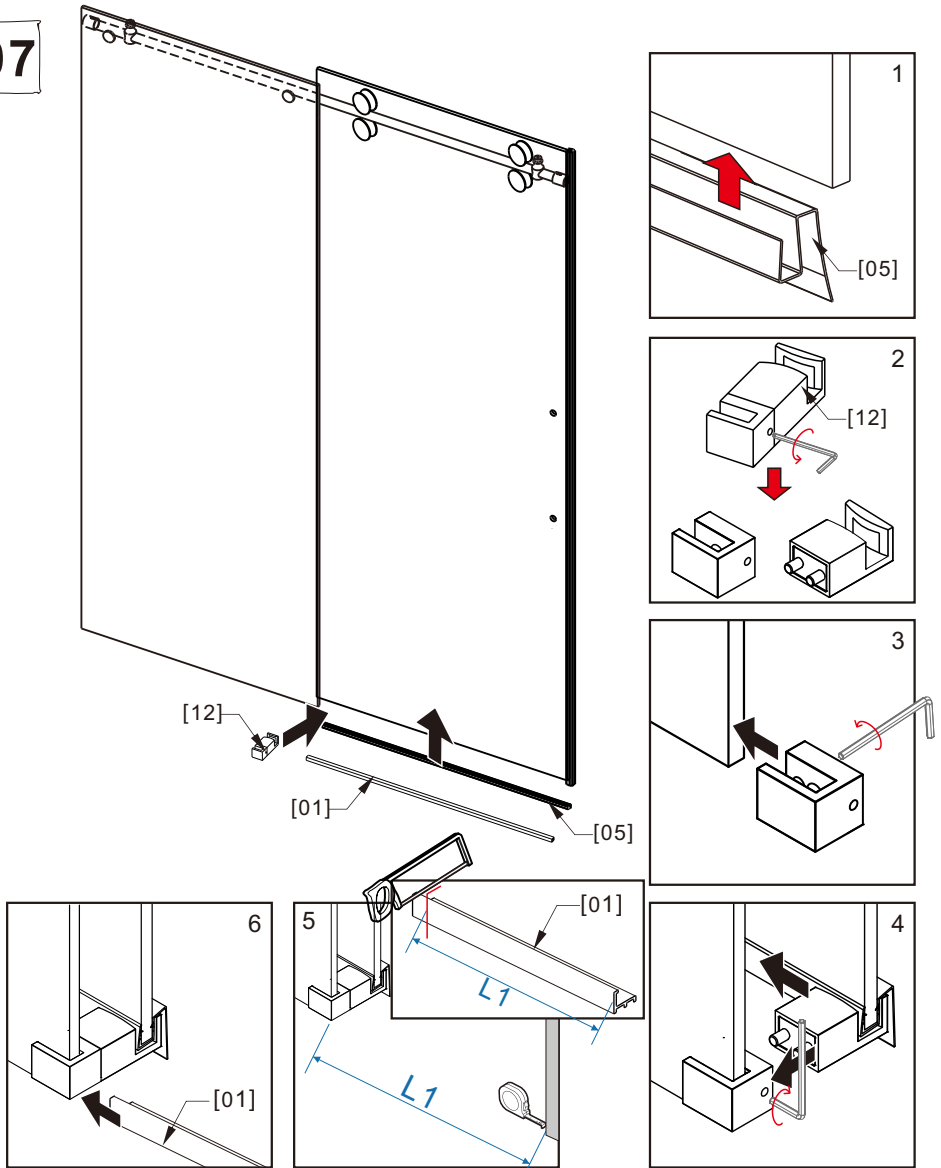
Install the [09] Anti-collision Component on the [03] door panel.



Adjust the eccentric piece of the [10] pulley and [09] anti-jumping piece, adjust the vertical angle of the door glass, make [06] bubble tape up and down parallel to the wall.

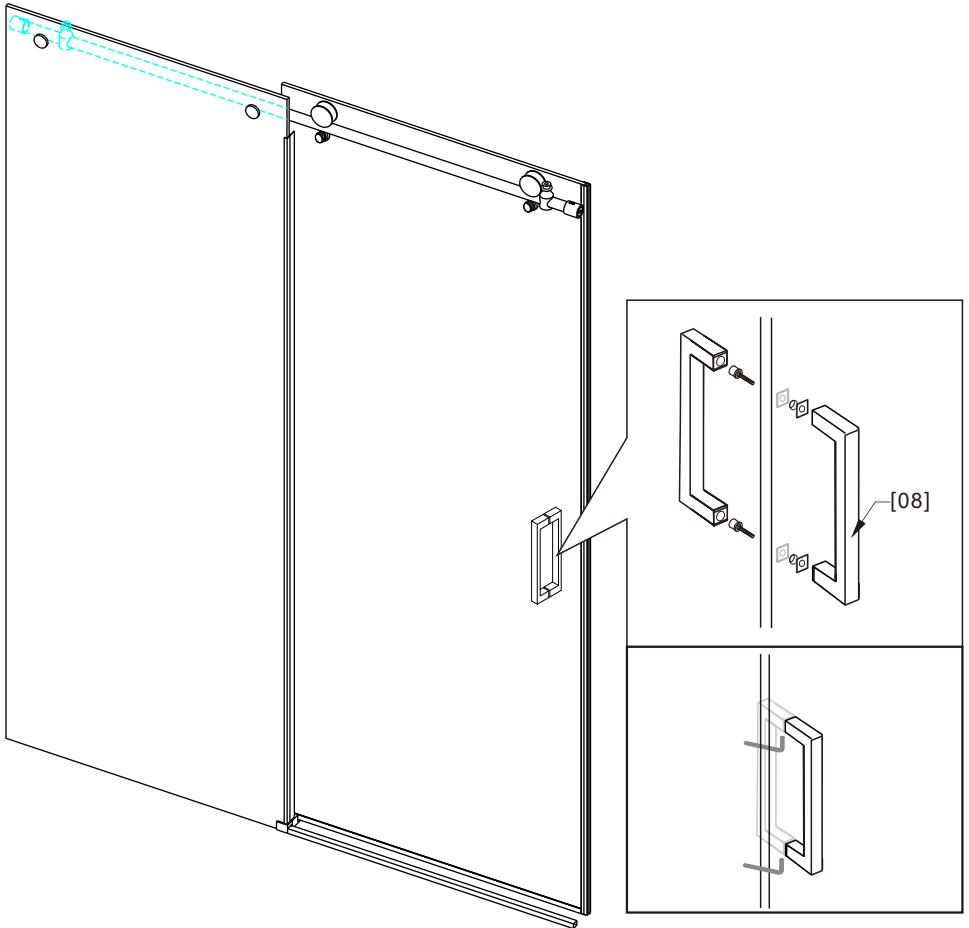
Install the [06] bubble tape on the [03] sliding glass while closing the door

07

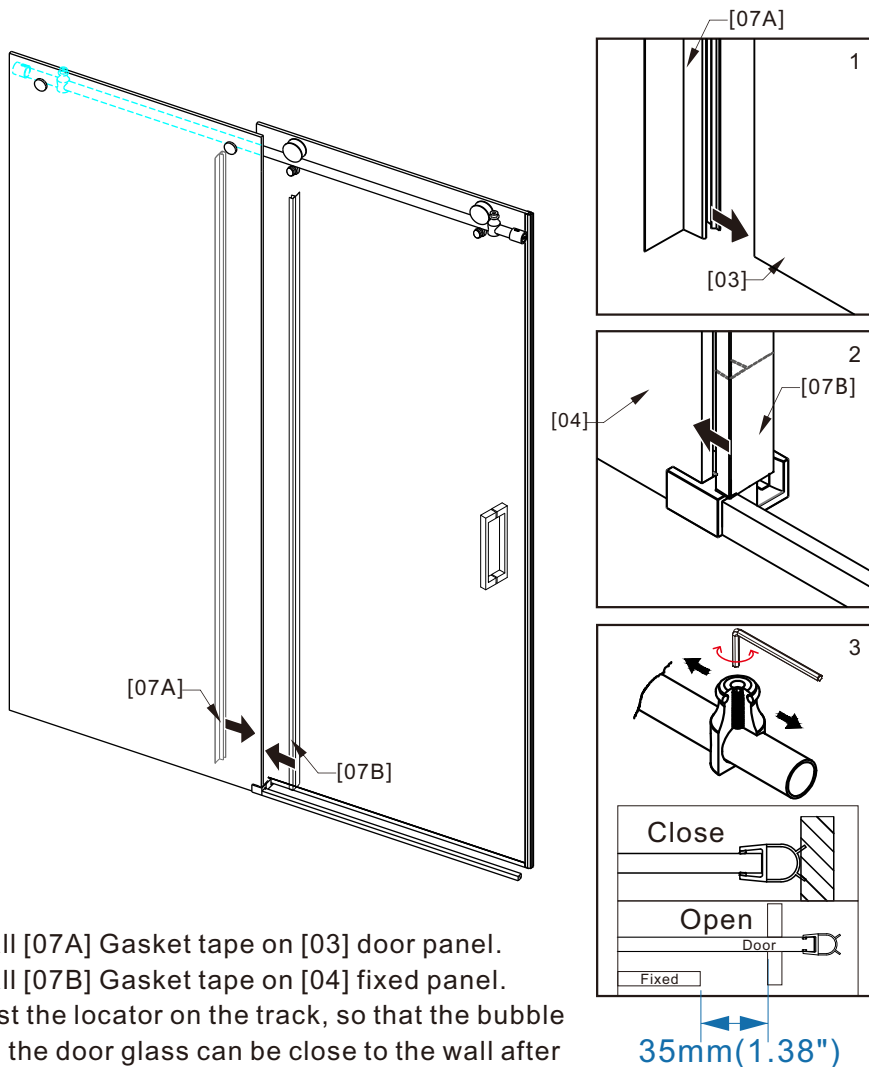


- ❶. Stuck [05] Gasket tape into the bottom of the door panel.
- ❷. Disassemble [12] door guider
- ❸. The guide piece is clamped into the fixed glass and secured with a hexagon wrench.
- ❹. Guide pieces from the bottom of the sliding glass into the guide pieces on the glass, then inserted into the Hexagon Wrench Lock .
- ❺. Measuring the distance from the edge of the guide piece to the wall to be L 1, and [01] the length of the aluminum seal shall also be L 1, and if it is long, cut it to shorter .
- ❻. Place the [01]aluminum seal material next to the door guider

08

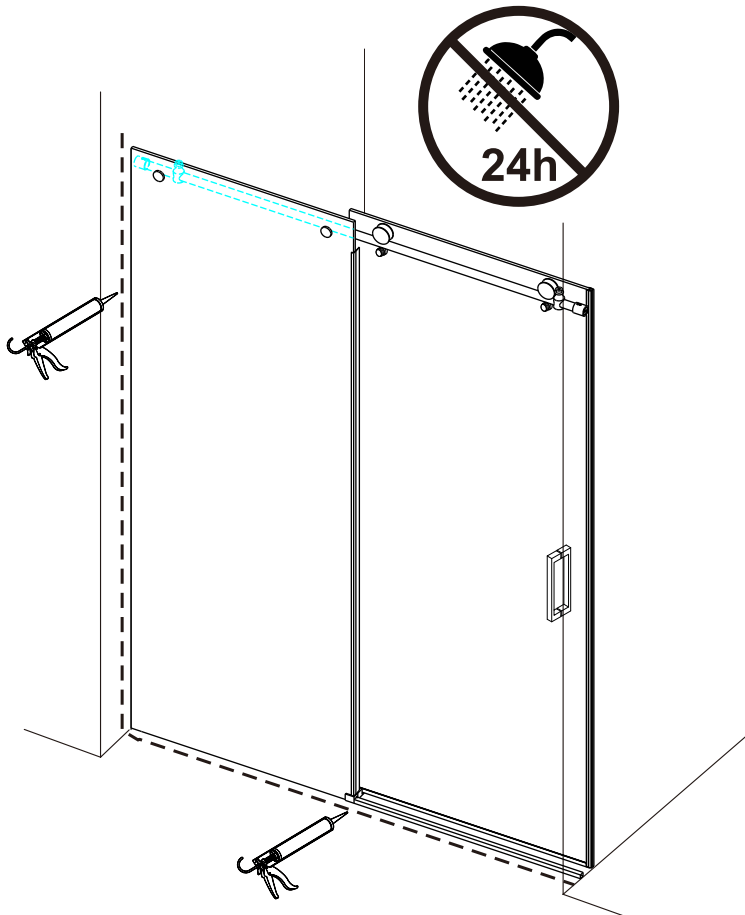


Remove the [08] handle, mount it on the [03] door panel, and lock it with a hexagon wrench



- ❶. Install [07A] Gasket tape on [03] door panel.
- ❷. Install [07B] Gasket tape on [04] fixed panel.
- ❸. Adjust the locator on the track, so that the bubble tape on the door glass can be close to the wall after the door, open the door handle from the fixed glass 35mm(1.38") , to prevent clamping.

10



Put the glue in the product edge and the ground wall joint (dotted line position) , and do not spray and move the product within 24 hours.