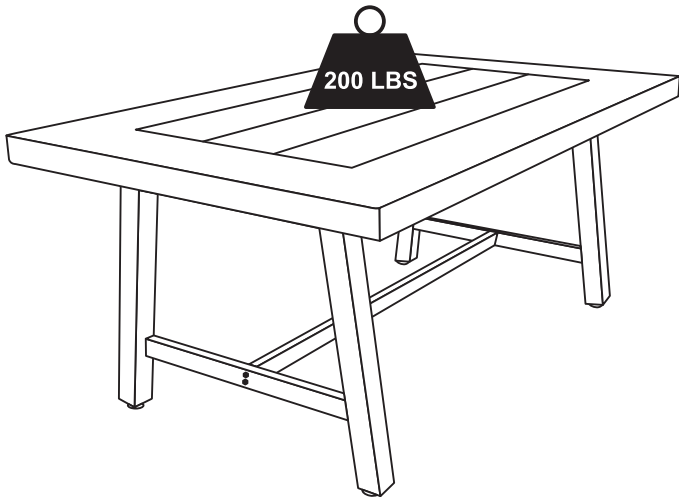


Thank you for your purchase!



Acacia Wood Outdoor Dining Table with Metal Legs

ASSEMBLY INSTRUCTIONS

Before You Begin:

Please identify all component parts and hardware pieces required before you begin. Carefully remove all of the components from the packaging and set aside for assembly. Assemble on a soft surface to prevent scratching during assembly.

Caution:

Tighten all components securely before use. Failure to do so may result in personal injury.

DO NOT use any sharp objects to open plastic wrapped components as damage to product or components may result.

Warning:

CHOKING HAZARD - Small Parts. Adult Assembly Required.

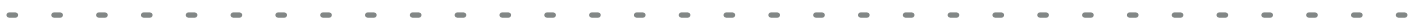
DO NOT ALLOW CHILDREN TO CLIMB ON FURNITURE

Serious or fatal injuries can occur from furniture tipping over. You must install Tipping Restraint Hardware (where included) to help prevent the unit from tipping and causing accidental injury, instability, death or damage. The tipping restraint is intended only as a safety measure, it is not a substitute for proper adult supervision.

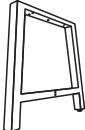



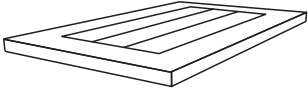

To help prevent furniture from tipping over it must be permanently attached to the wall. Anti-Tip Safety Wall Straps suitable for the unit weight and wall materials (if not included) should be purchased and installed.

Have a Question/Concern?

Quality products and first-class customer service are the cornerstone of long-lasting consumer relationships. We strive toward excellence in all we do and want you to be completely satisfied with your purchase. Please contact our exceptional Customer Experience Agents at the email address or phone number shown below to assist you with any product questions or issues before requesting . We look forward to serving you in a friendly, efficient manner to resolve any issues you may have.

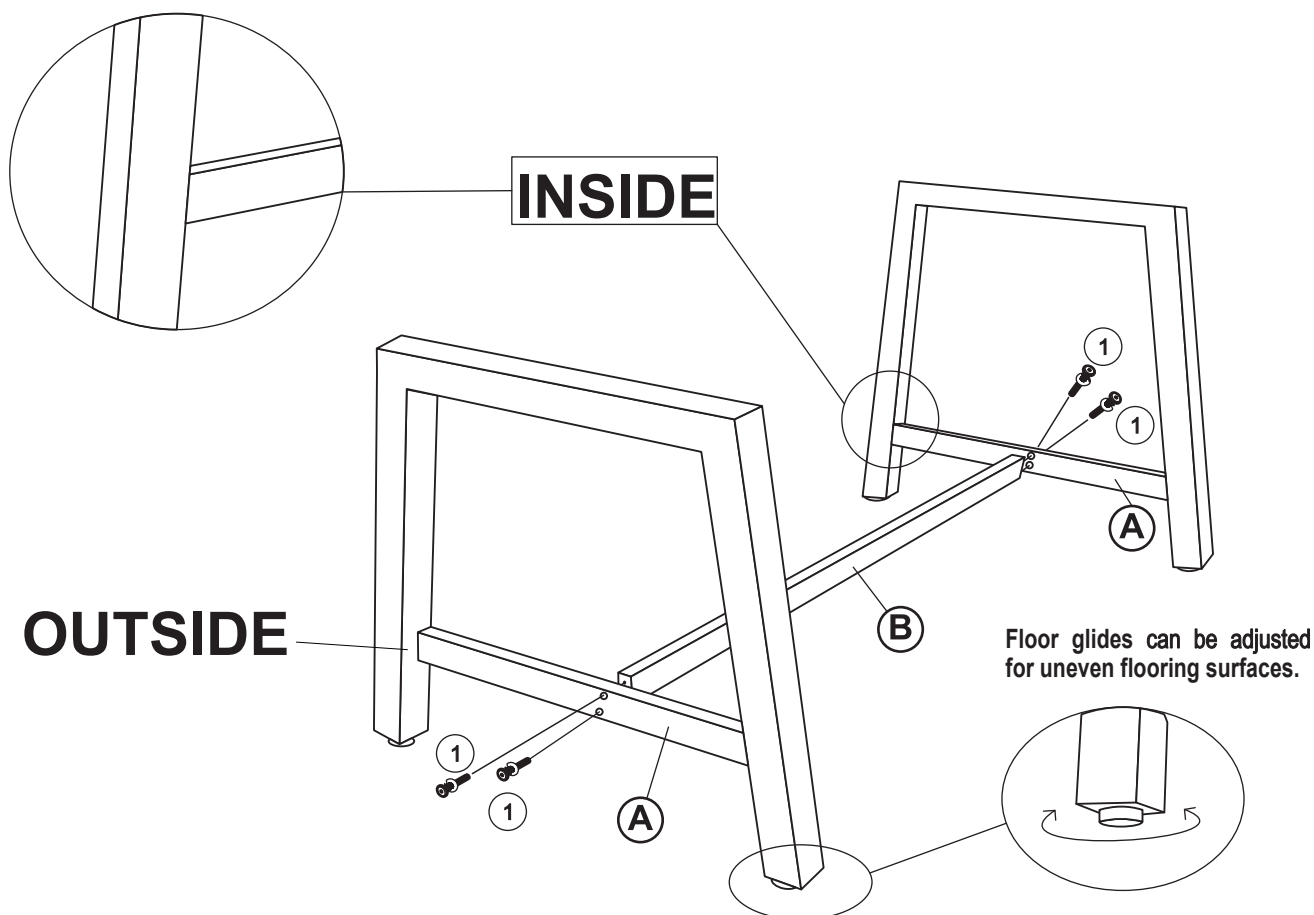


PARTS

A		2PCS	TABLE LEG FRAME	1		M6 X 45mm (14pcs)	Bolts
B		1PCS	CROSS BAR	2		Ø6 X18X1 mm (14 pcs)	Washers
C		1PCS	TABLE TOP	3		ALLEN WRENCH	

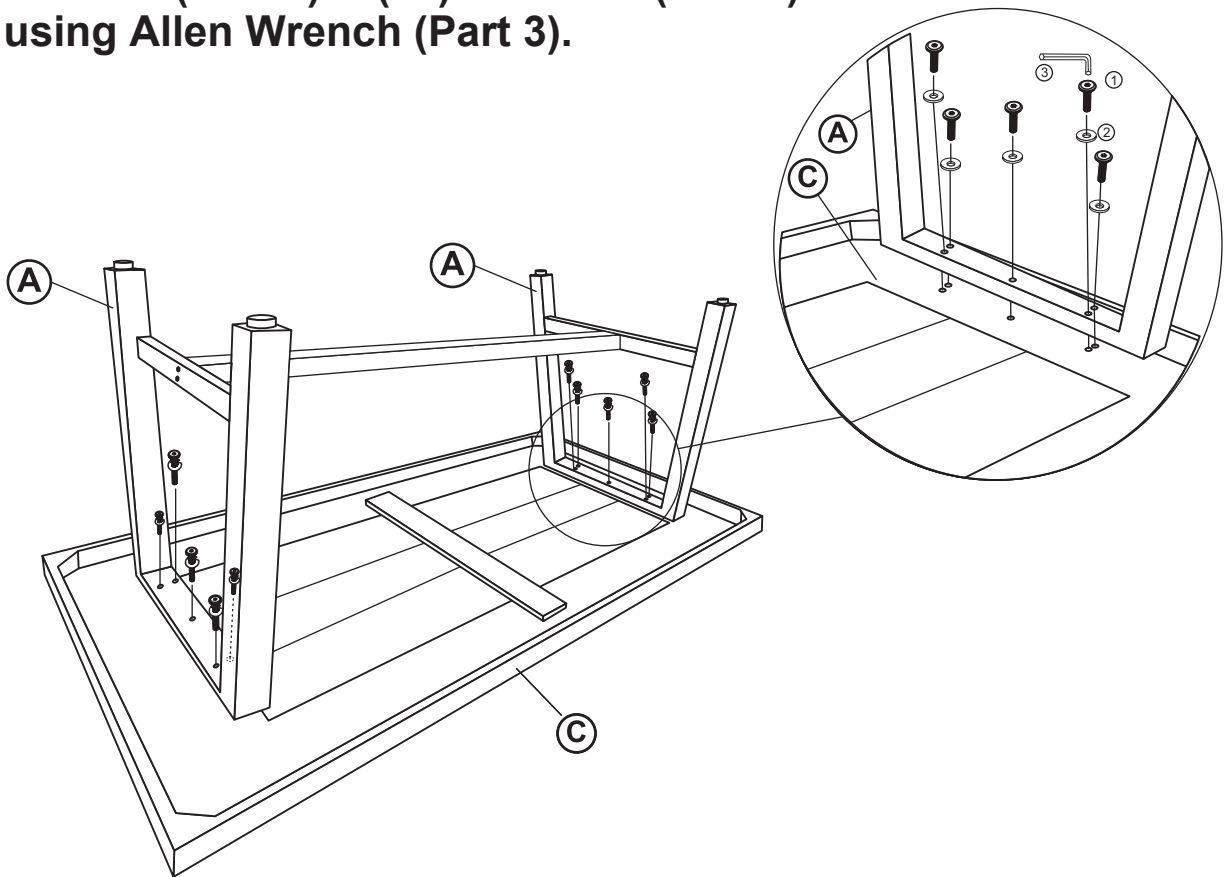
STEP 1

STEP 1: Connect the Cross Bar (Part B) to the Table Leg Frame (Part A) using (4) M6x45mm Bolts (Part 1) & (4) Washers (Part 2) from " INSIDE " surface. Tighten using Allen Wrench (Part 3).



STEP 2

STEP 2: Attach the assembled legs to the Table Top (Part C) using (10) M6x45mm Bolts (Part 1) & (10) Washers (Part 2). Tighten using Allen Wrench (Part 3).



STEP 3

STEP 3: Return table to the upright position

