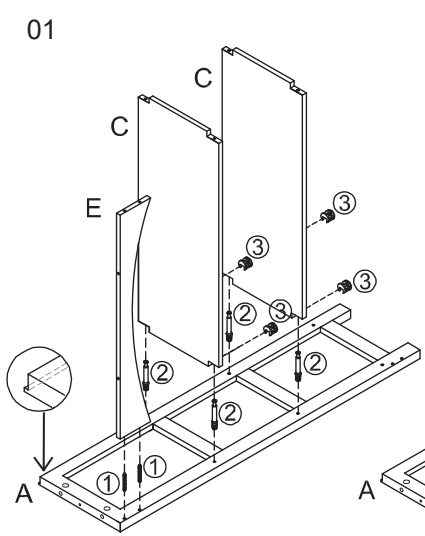
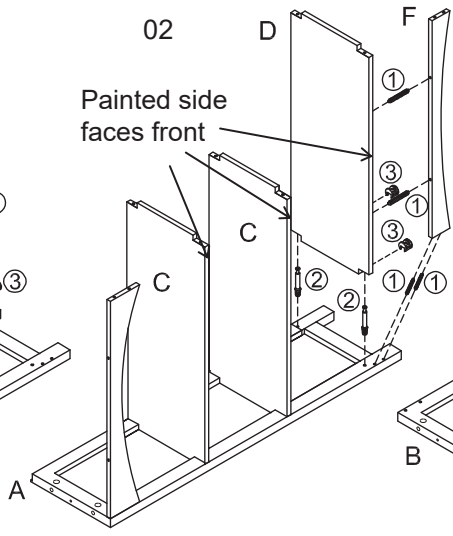


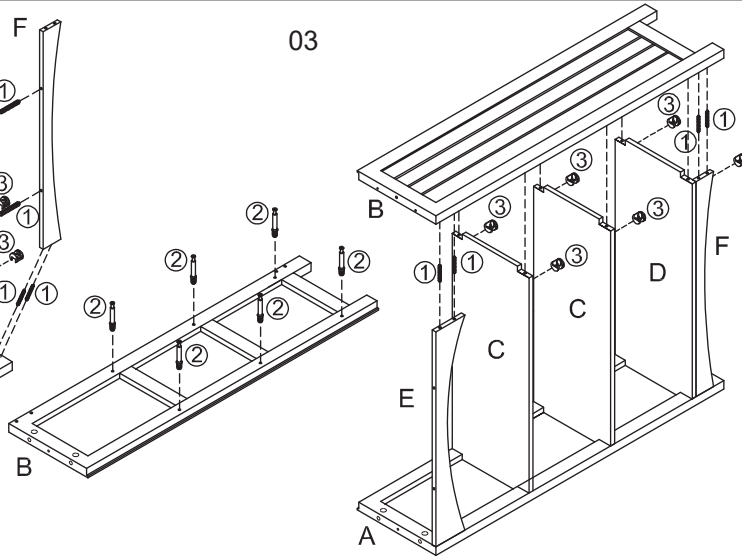
01



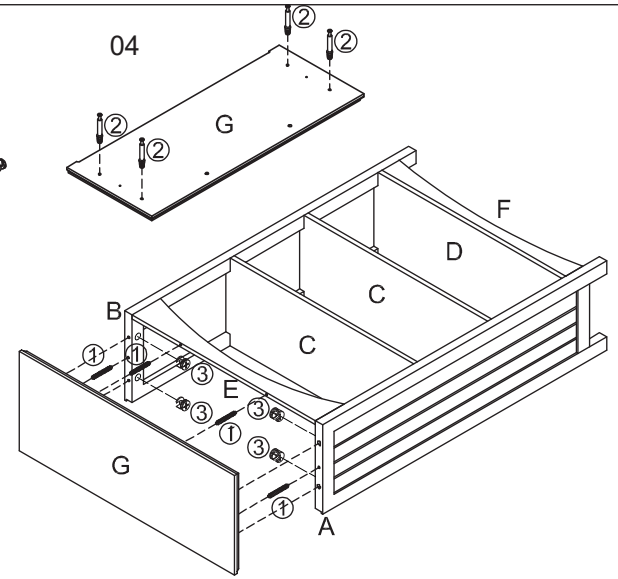
02



03

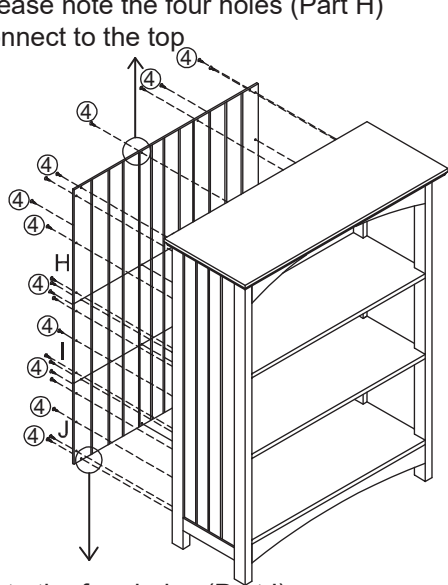


04

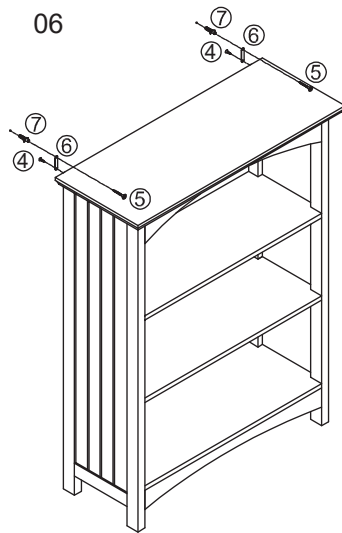


Please note the four holes (Part H) connect to the top

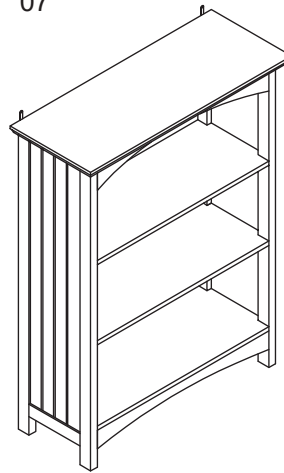
05



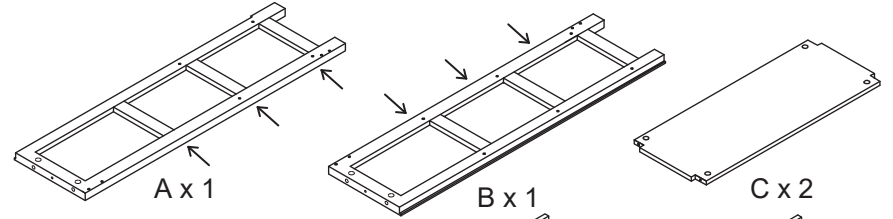
06



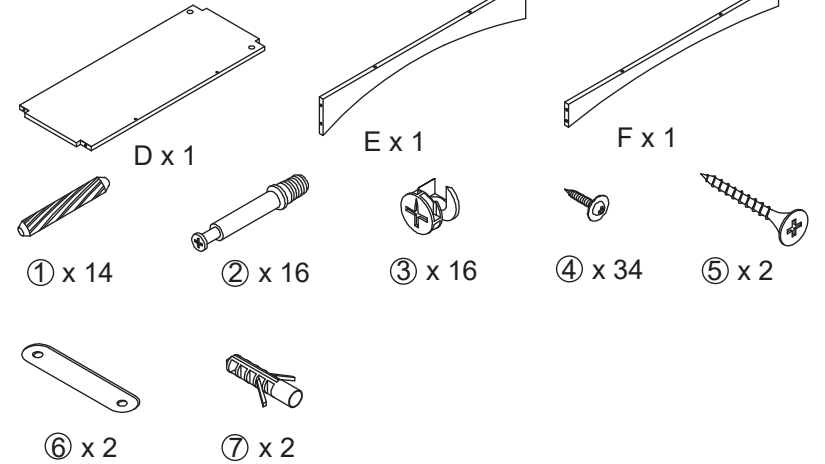
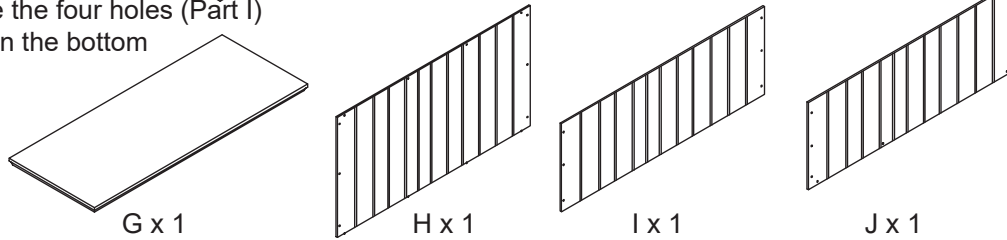
07



Please note Part A and B have a flat side that is designed to face the front



Note the four holes (Part I) go on the bottom



**We do not recommend using power tool!**