

CARE AND MAINTENANCE

Never use abrasive or acid-based cleaners on the shelf rack.

Clean shelves and rods with a solution of mild detergent and water .Use a soft cloth or sponge to wipe parts.Rinse and dry thoroughly.Keep surfaces dry and clean for a longer lasting finish.

NOTICE

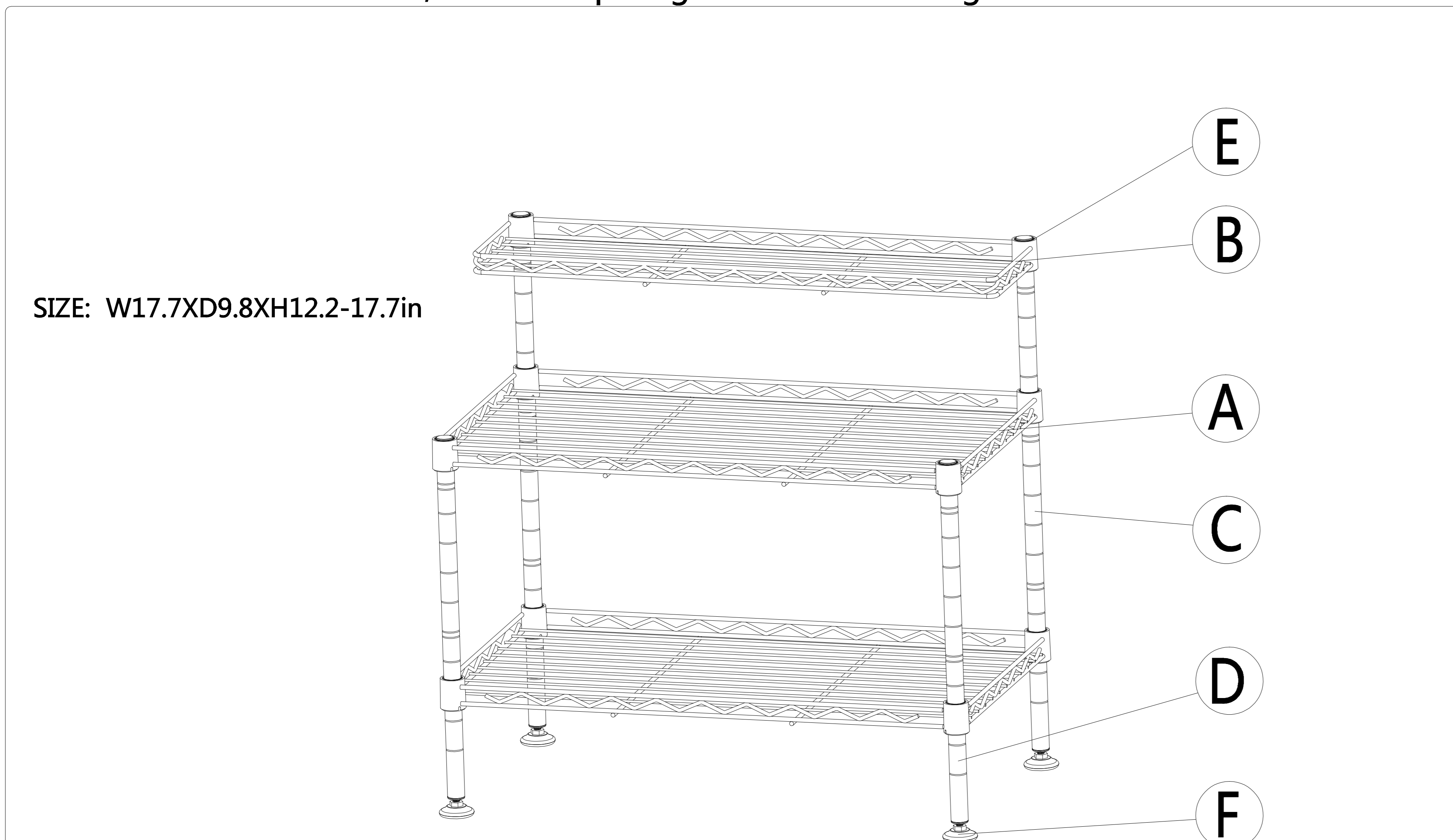
Please read and understand these instructions before attempting to assemble,operate or install the product.

-Two adults required for a assembly.

-Do not allow children to climb or play in or around the shelves .

-Each shelf holds up to 88 lbs.When items are evenly distributed.

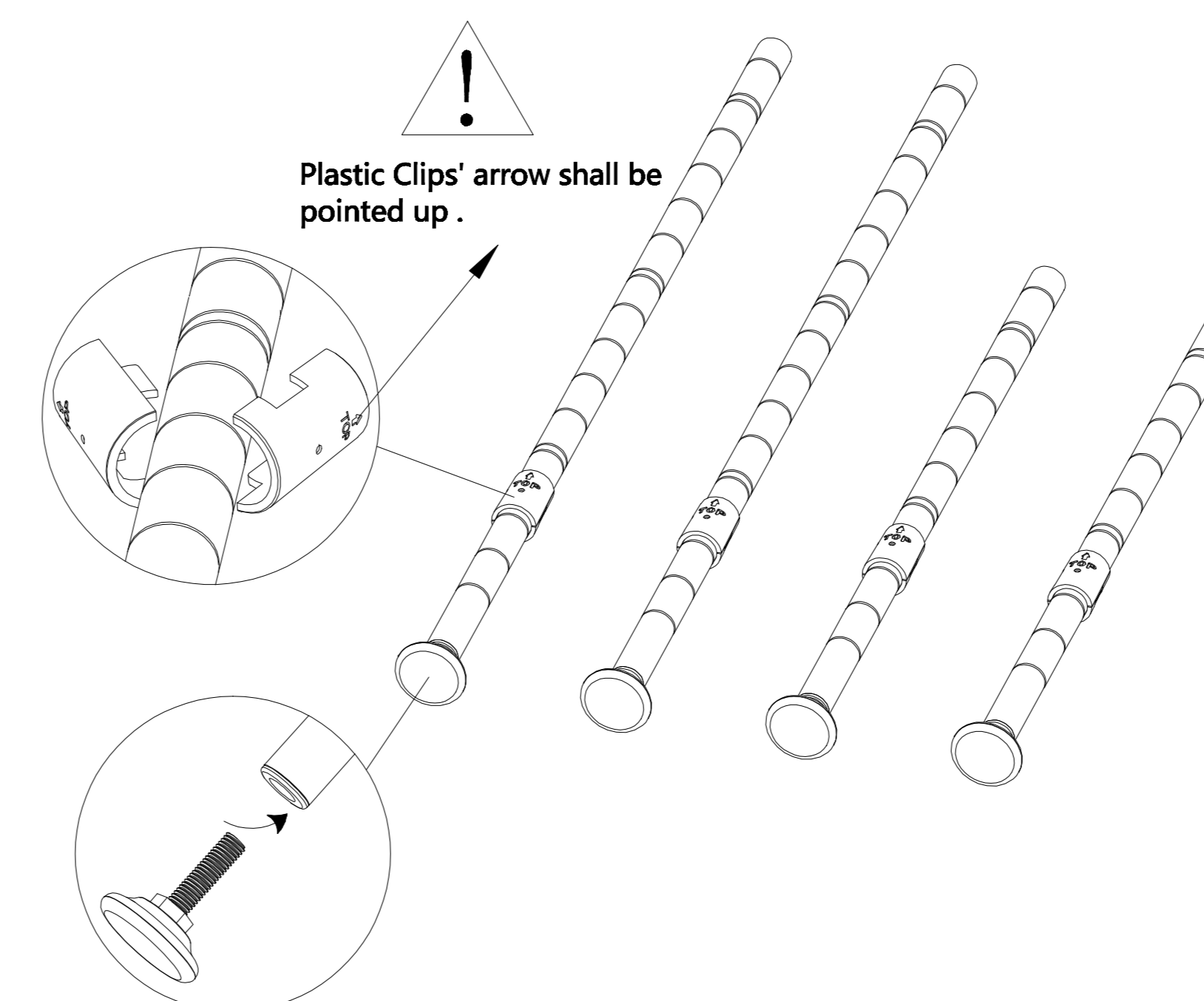
-Assemble on a soft surface,such as carpeting to avoid scratching the finish .



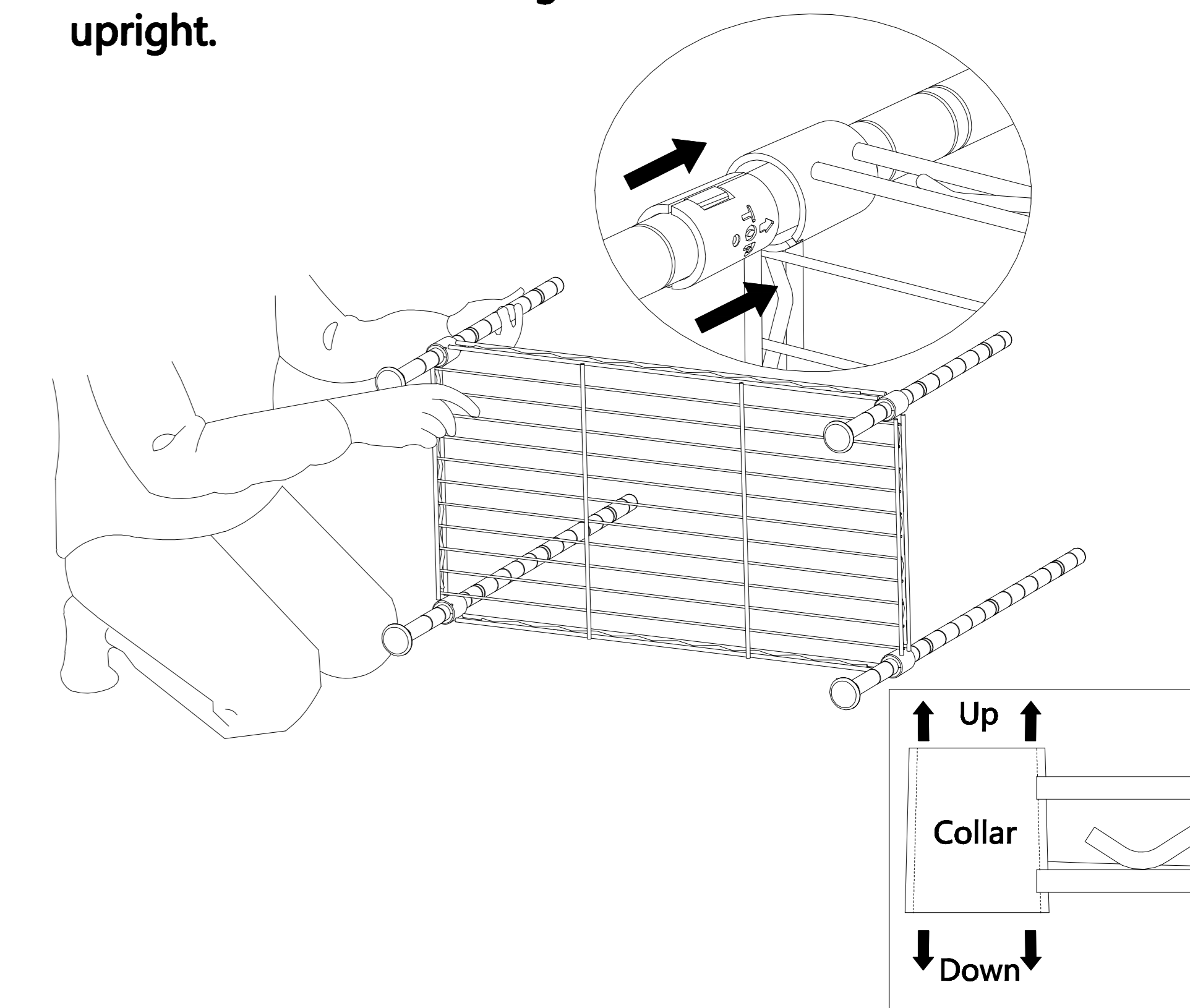
No.	A	B	C	D	E	F
Name	Wire Shelf	Wire Shelf	lower pole	lower pole	Plastic Clip	Leveling Foot
Parts						
Quantity	2PCS	1PC	2PCS	2PCS	20PCS	4PCS

Assembly Steps:

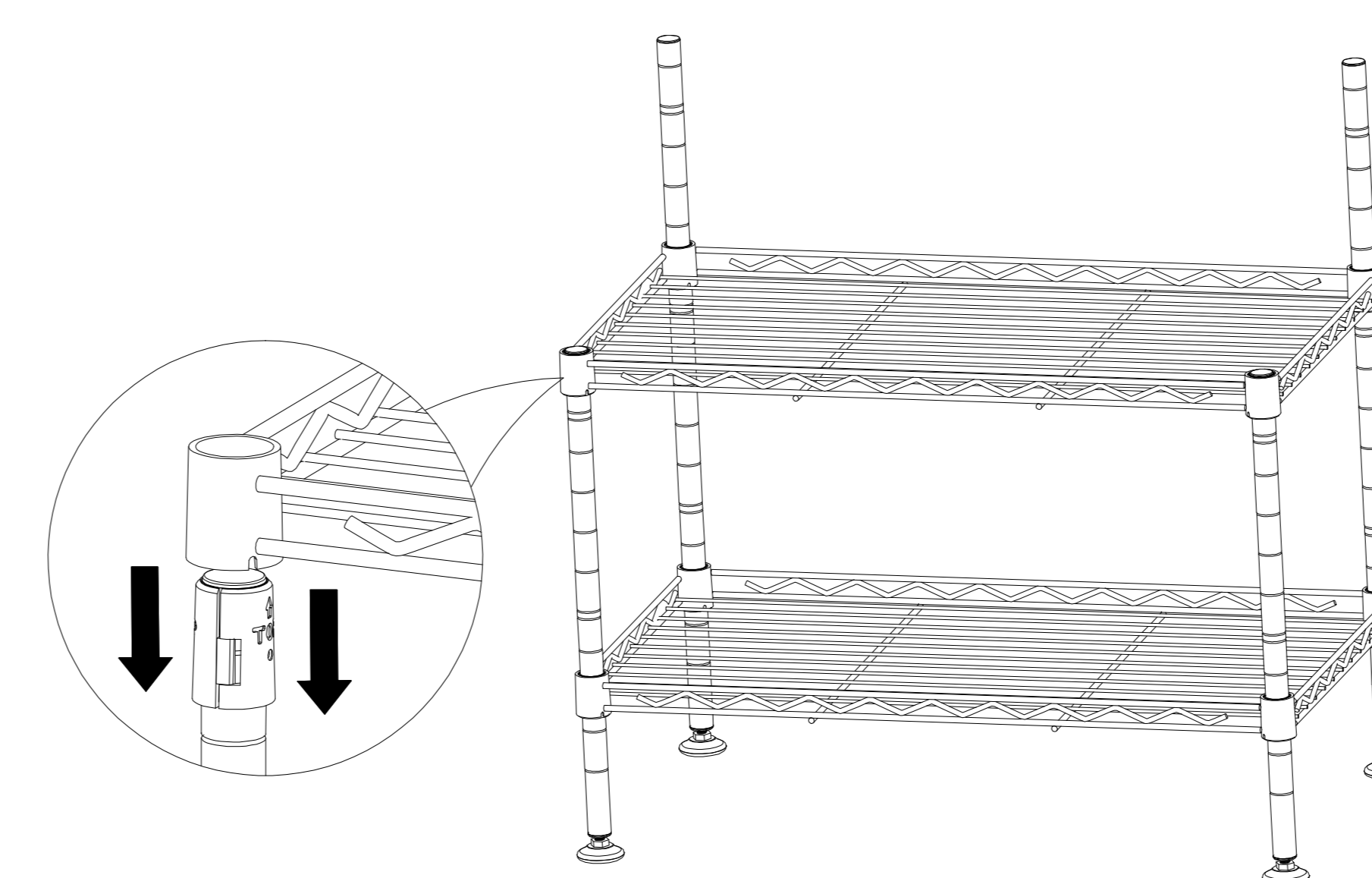
- 1 Screw the leveling Feet(F)into the bottom of four Lower Pole(C)&(D).Snap Plastic Clips(E)into the grooves of four lower poles at the same position and make sure that all plastic clips arrow should be pointed up.



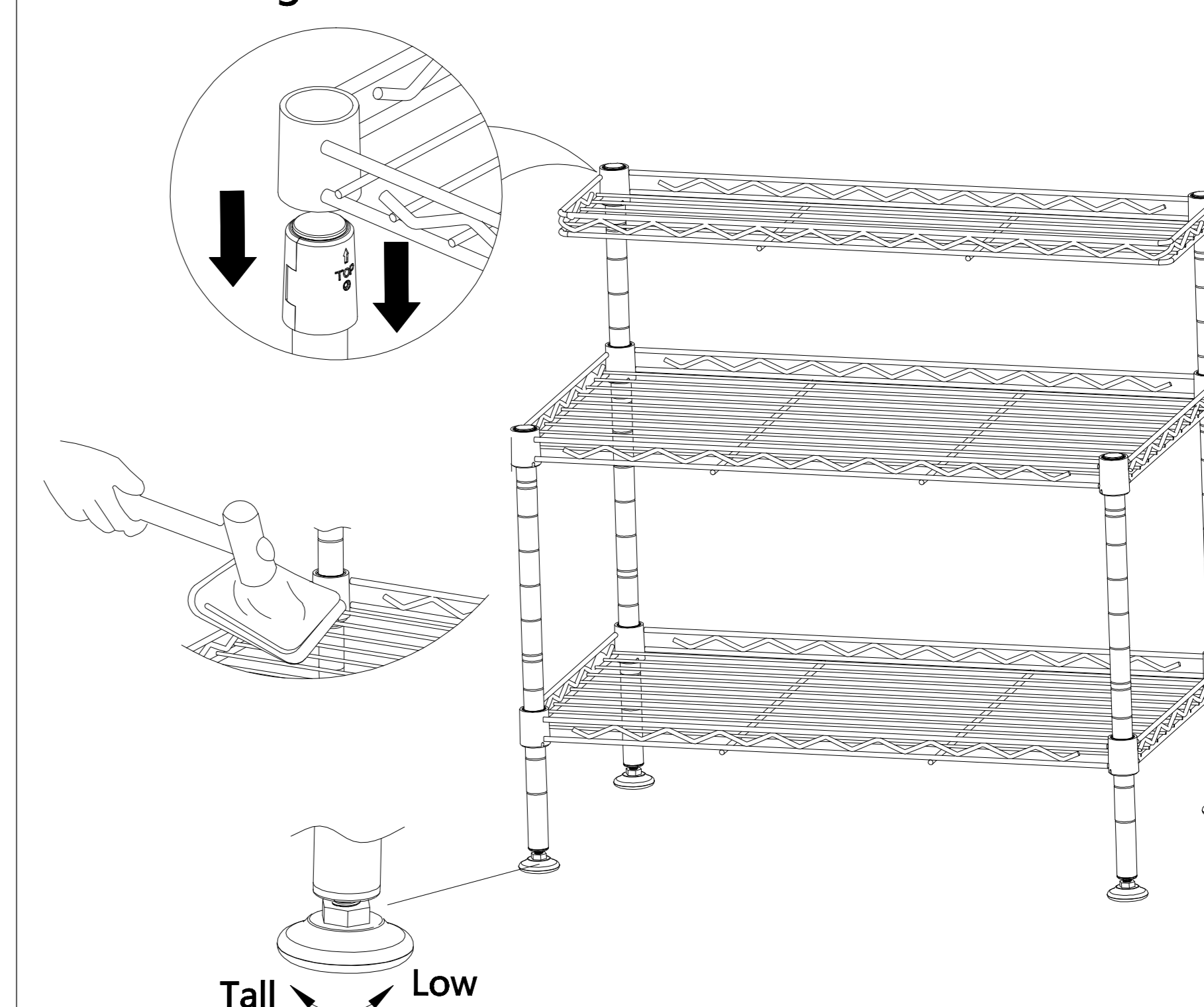
- 2 Please make sure that you have the Wire Shelf(A)the correct way up.Hold the wire shelf on its side and slide the top of four lower poles through the bottom of the wire shelf at its corners until there is snug fit,and then set the wire shelf upright.



- 3 Repeat step 1 to snap the plastic clips on the grooves of four pieces of lower poles at your desired position and slide down the wire shelf from the top of each lower pole down onto the plastic clips.



- 4 Snap the plastic clips on the grooves of Lower Pole(C)at the top position and slide down the Wire Shelf(B)from the top of two lower pole down onto the plastic clips as photo.Pushing firmly down on every shelf at corners by rubber mallet to ensure the shelf in a place over the plastic clips.Screw the leveling feet in or out at the bottom of poles to attain proper leveling.



PREPARATION

1.Before beginning assembly of product,make sure all parts are present.Compare parts with package contents list and hardware contents .If any parts is missing or damaged,do not attempt to assemble the product .

2.Estimated Assembly Time :Approximately 15-20 minutes.

3.Helpful Tools(not included):Rubber Mallet.

4.No Tools Required for Assembly.