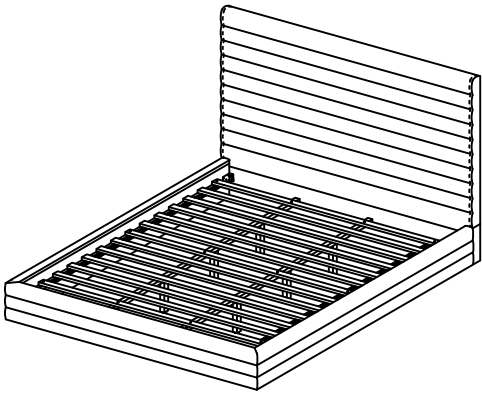


ASSEMBLY INSTRUCTIONS

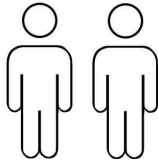
KING



+ Do Not Use Power Tools



+ Suggested Adults



NOTE:

- 1 Read instructions cover to cover.
- 2 Save all packaging until assembly is completed.

1 IMPORTANT SAFETY INFORMATION

Do not assemble the product if any of the following parts arrived damage:

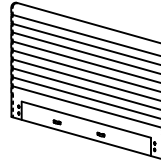
- Part 3 - Side Rails
- Part 4 - Center Support Bar
- Part 5 - Support Legs
- Part 6 - Slats

2 IMPORTANT ASSEMBLY INFORMATION

Assembly Step Ensure the side rail bracket is fully hooked onto bolt loosely threaded with both washers on the OUTSIDE of the bracket first, then proceed to fully tightening all 4 corners.

+ Parts Included

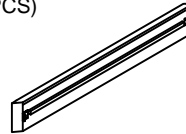
① HEADBOARD
(1 PC)



② FOOTBOARD
(1 PC)



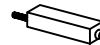
③ SIDE RAILS
(2 PCS)



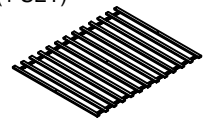
④ CENTER SUPPORT BAR
(2 PCS)



⑤ SUPPORT LEGS
(6 PCS)



⑥ SLATS
(1 SET)



+ Hardware Included

A M4 x 20mm
(4 PCS)



B M4 x 38mm
(12 PCS)

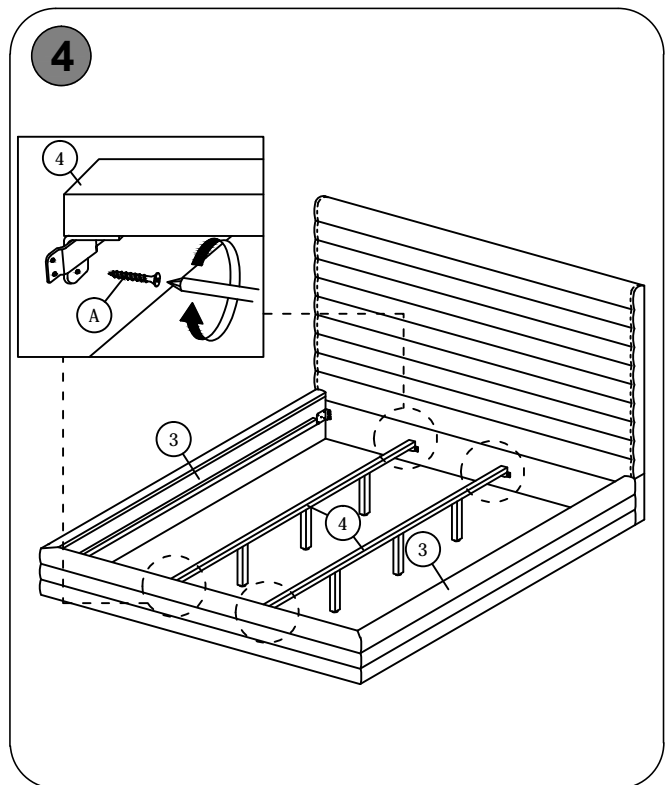
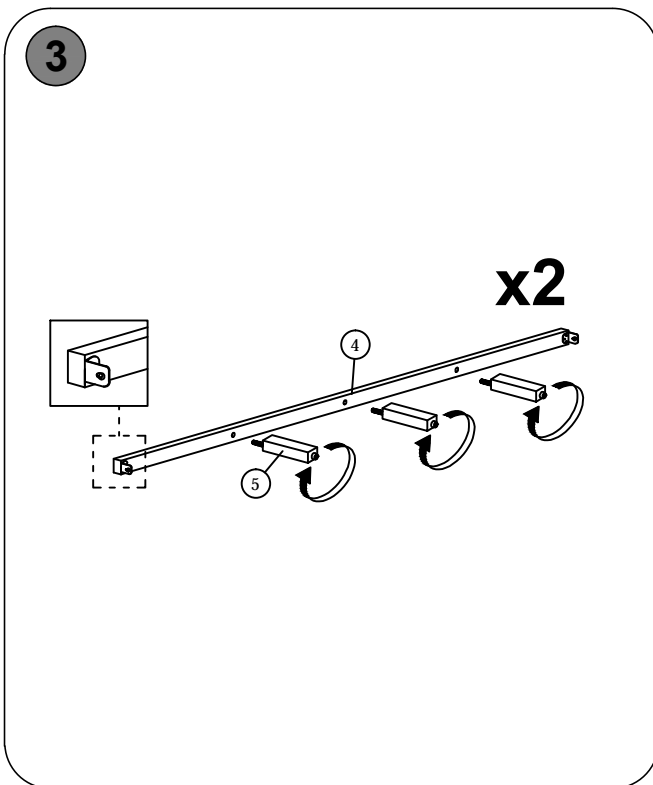
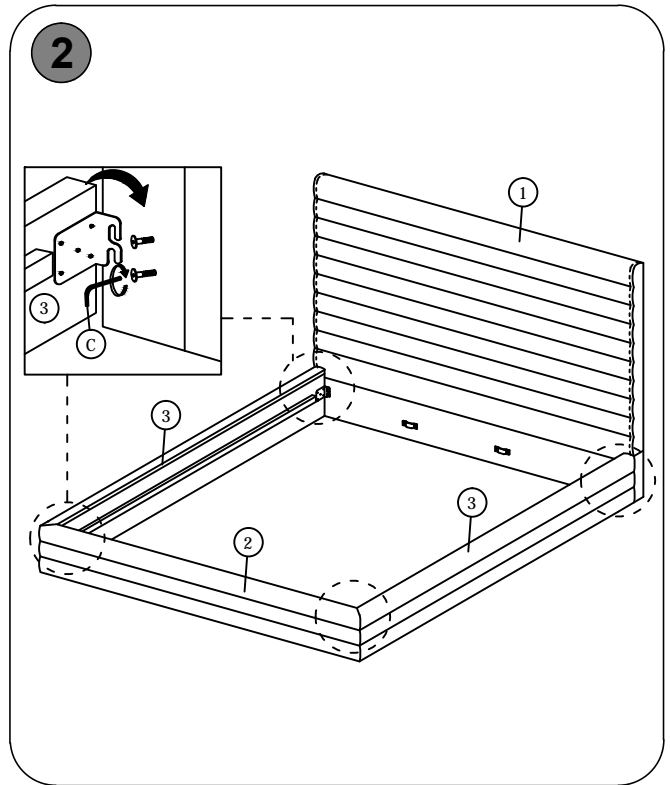
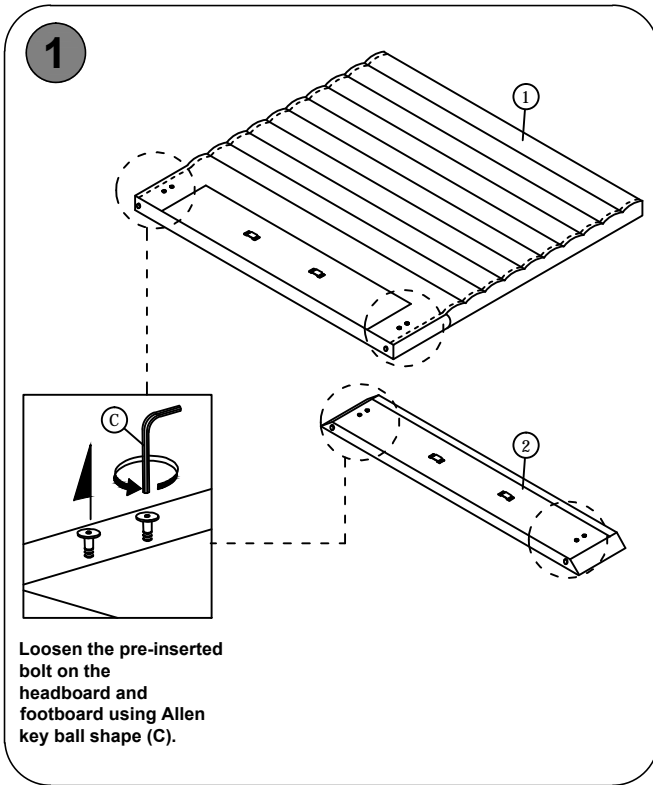


C M5
(1 PC)



ASSEMBLY INSTRUCTIONS

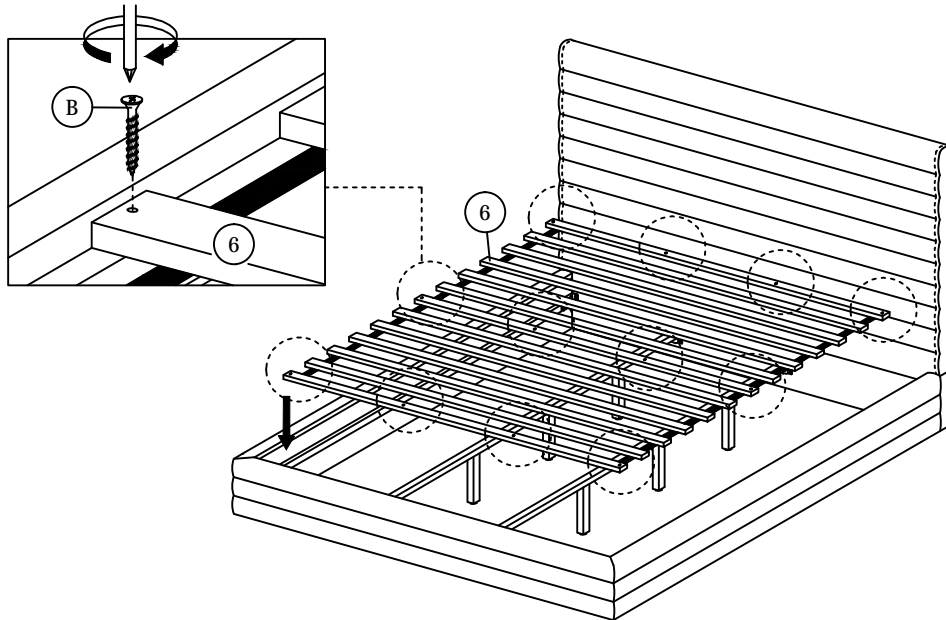
KING



ASSEMBLY INSTRUCTIONS

KING

5



6

