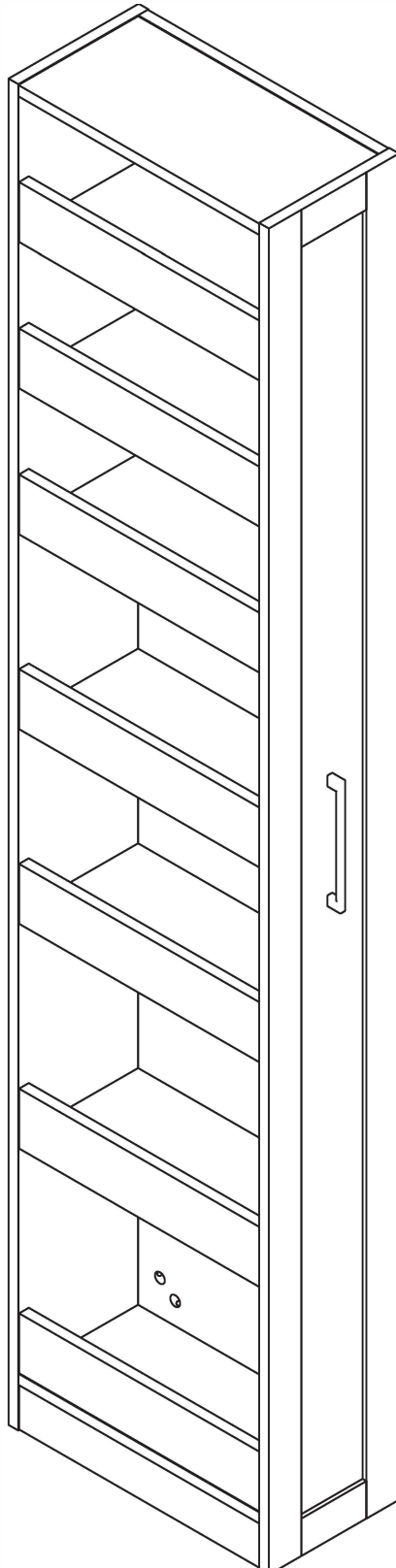


# Installation & Assembly



A  
90PCS



B  
90PCS  
8\*40



C  
61PCS  
3.5\*14



D  
16PCS  
4\*12



E  
2PCS



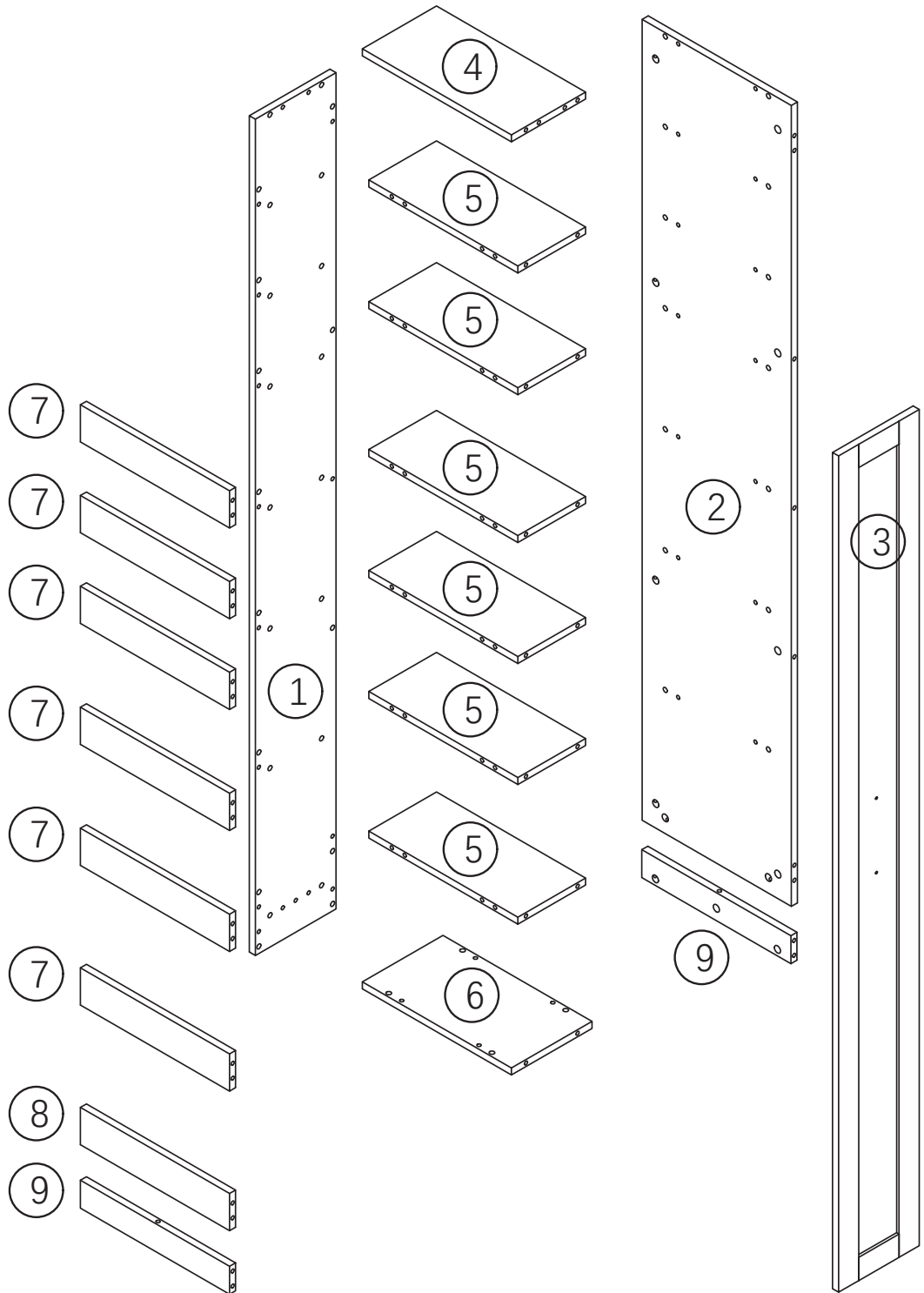
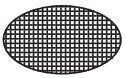
F  
1PC



G  
4PCS



H  
64PCS

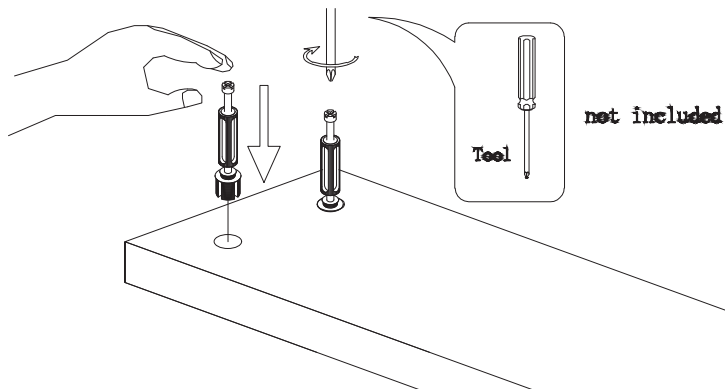




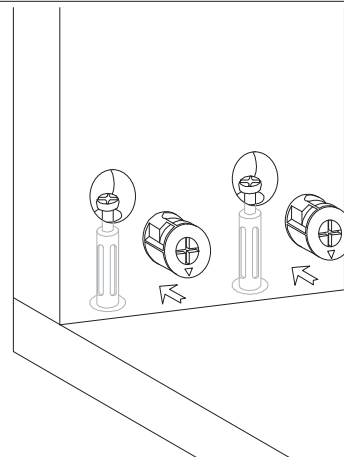
### Hardware installation demonstration

NOTE: Please make sure "A" hardware tightened and can't be pulled out!

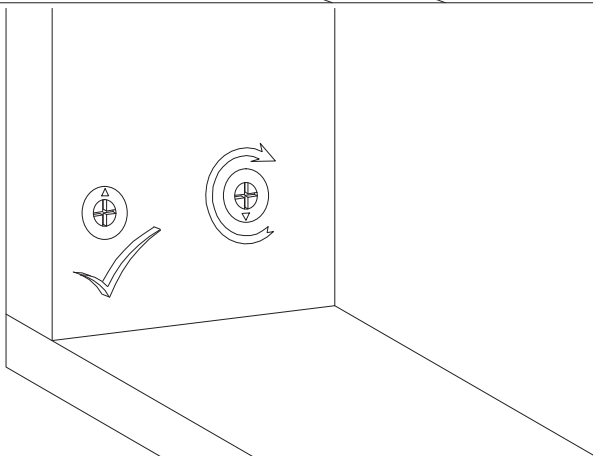
I

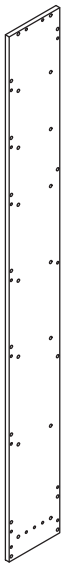
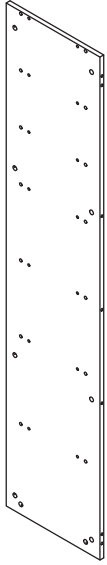

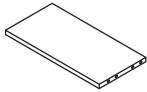
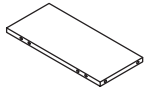
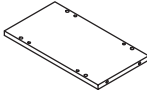
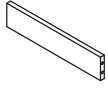
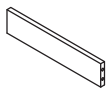
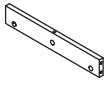


II

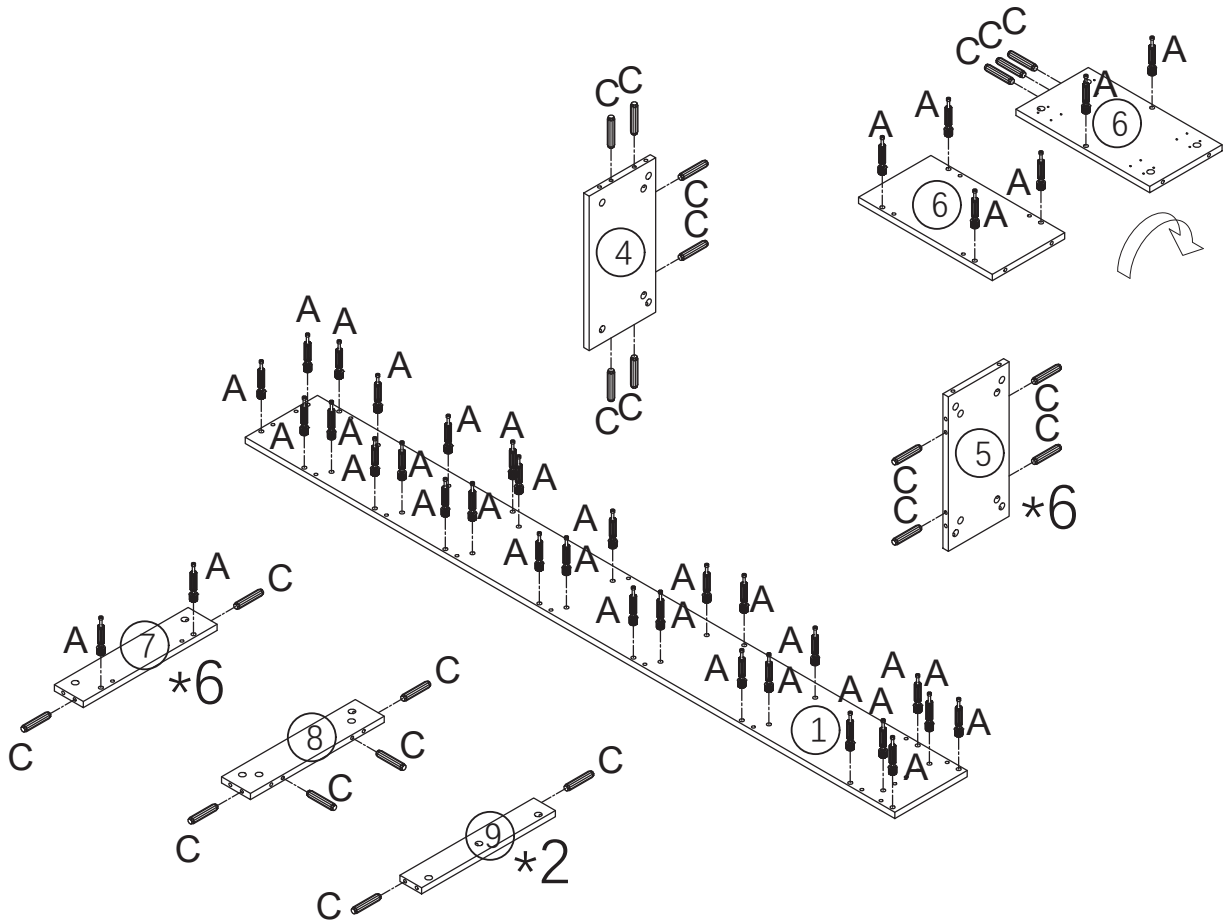


III



<p>1</p> <p>1797*200mm</p>  <p>70.7×7.9"</p> <p>1pc</p>	<p>2</p> <p>1721*370mm</p>  <p>67.8×14.6"</p> <p>1pc</p>	<p>3</p> <p>1797*200mm</p>  <p>70.7×7.9"</p> <p>1pc</p>	<p>4</p> <p>370*184mm</p>  <p>14.6×7.2"</p> <p>1pc</p> <p>5</p> <p>370*168mm</p>  <p>14.6×6.6"</p> <p>6pcs</p> <p>6</p> <p>370*200mm</p>  <p>14.6×7.9"</p> <p>1pc</p>
<p>7</p> <p>370*80mm</p>  <p>14.6×3.1"</p> <p>6pcs</p>	<p>8</p> <p>370*80mm</p>  <p>14.6×3.1"</p> <p>1pc</p>	<p>9</p> <p>370*60mm</p>  <p>14.6×2.4"</p> <p>2pcs</p>	

1

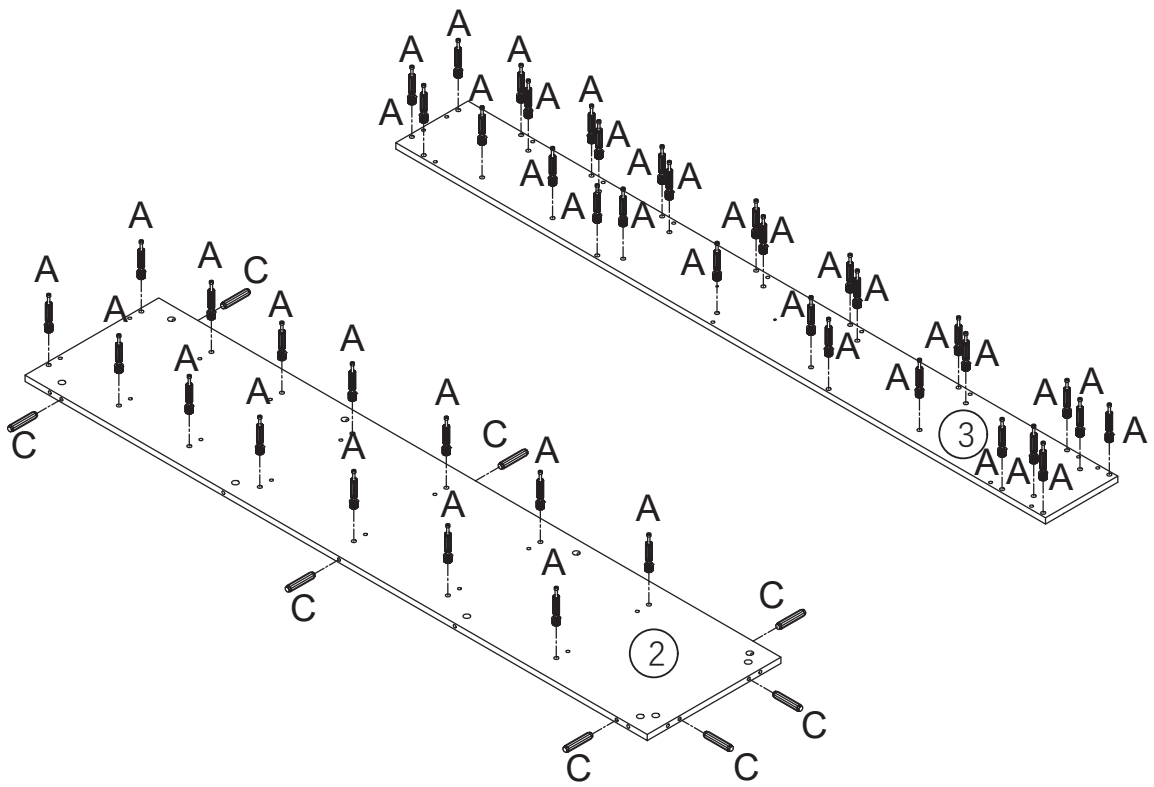


Put A on (1) (6) (7)

Put C on (4) (5) (6) (7) (8) (9)

A\*47 C\*53

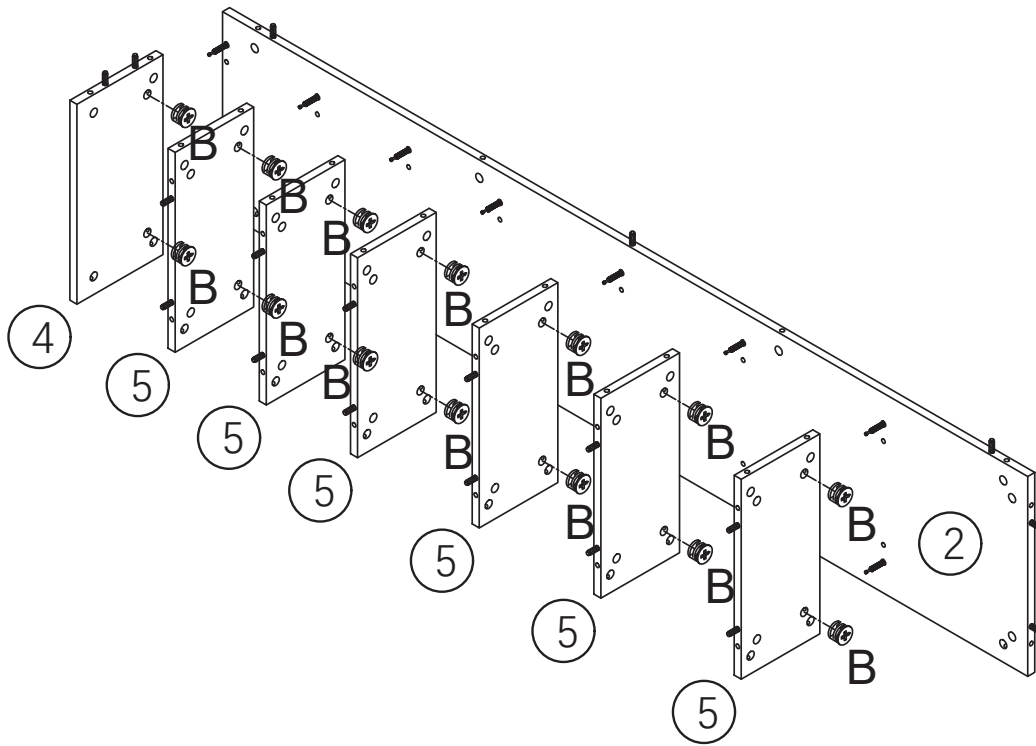
2



Put A on (2) (3)  
Put C on (2)

A\*43 C\*8

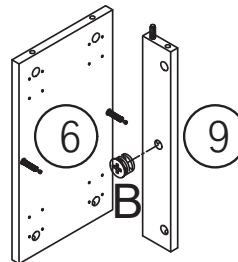
3



Put B on (4) (5)

B\*14

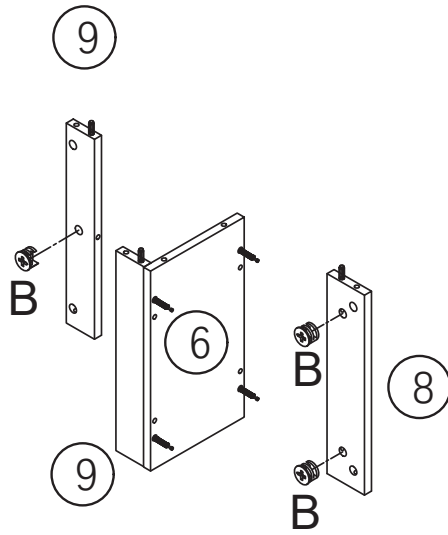
4



Put B on (9)

B\*1

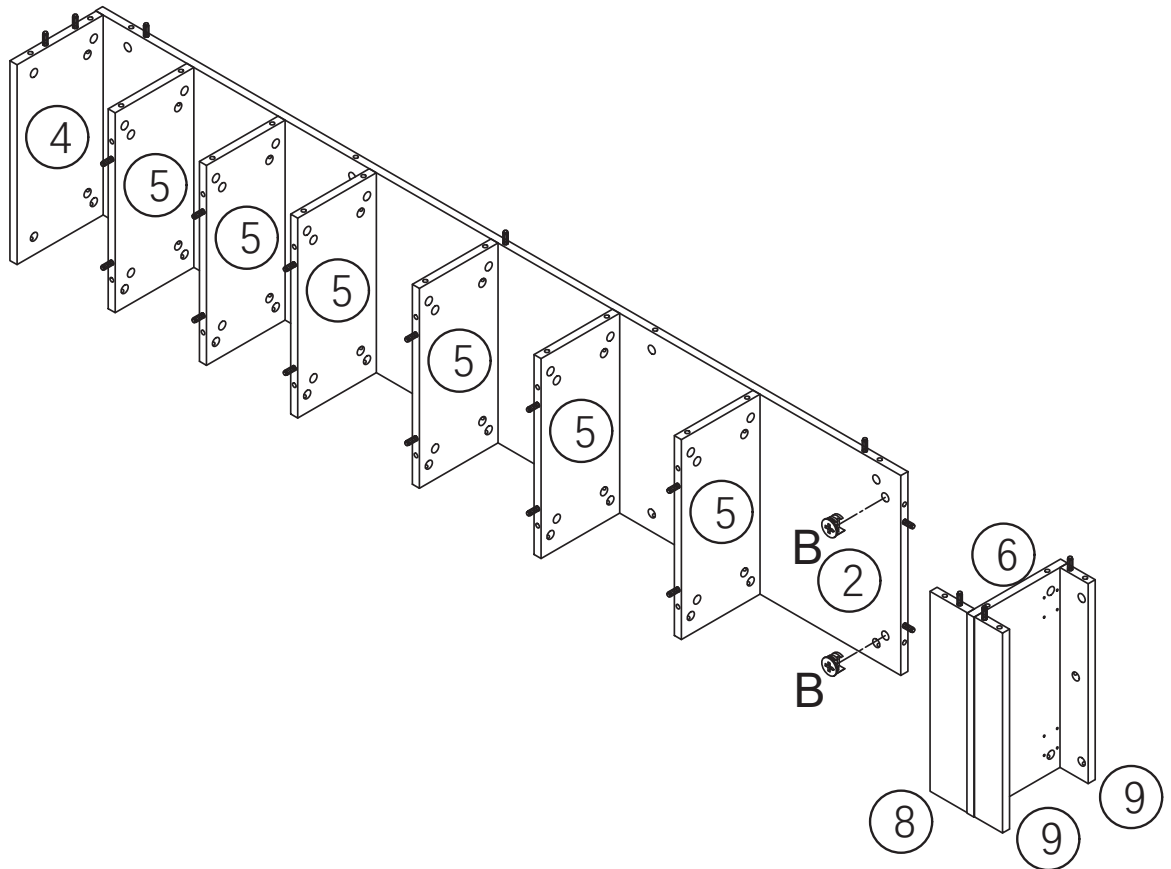
5



Put B on (8) (9)

B\*3

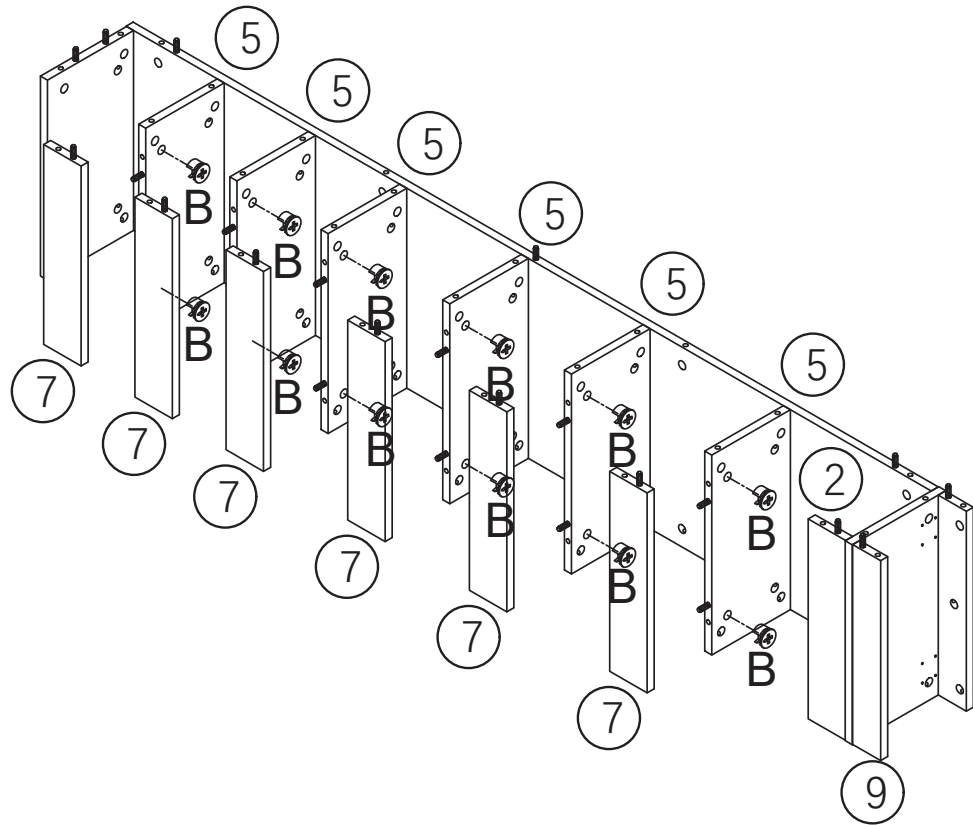
6



Put B on (2)

B\*2

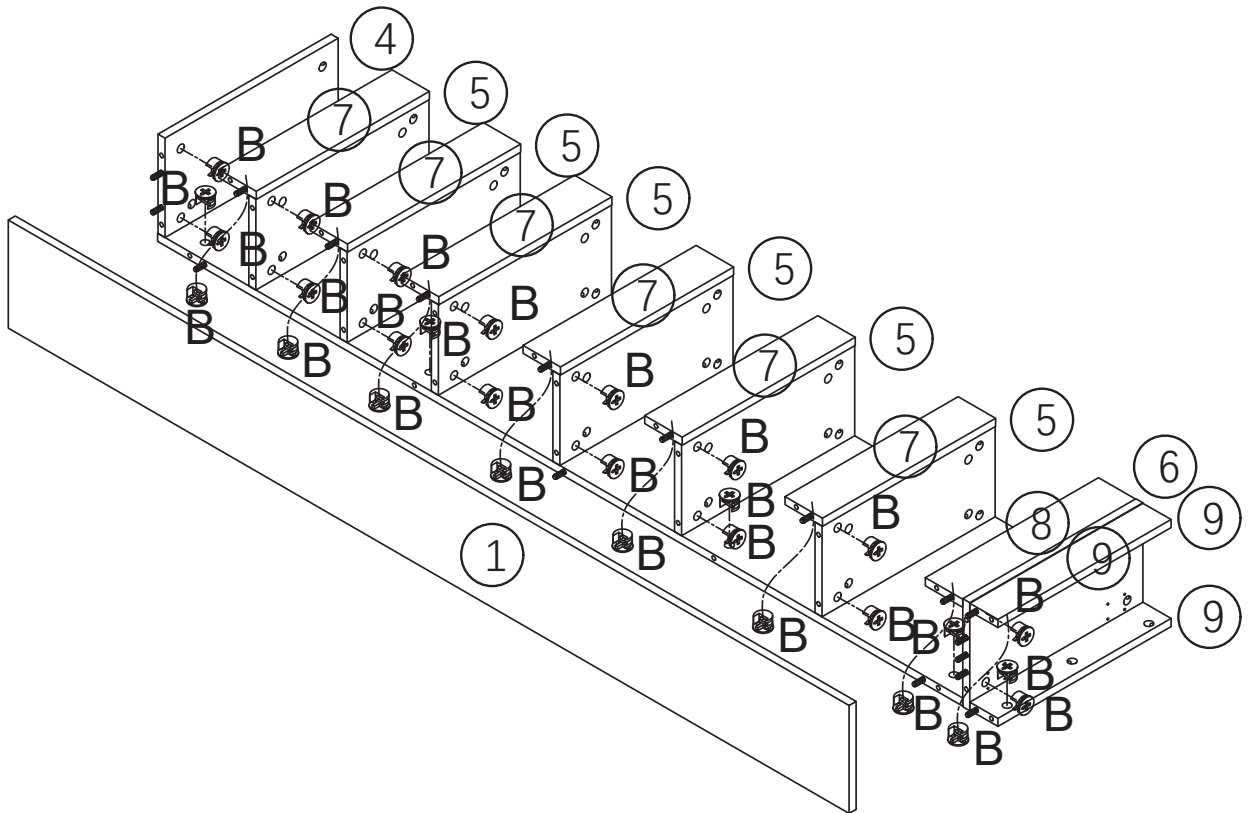
7



Put B on (5)

B\*12

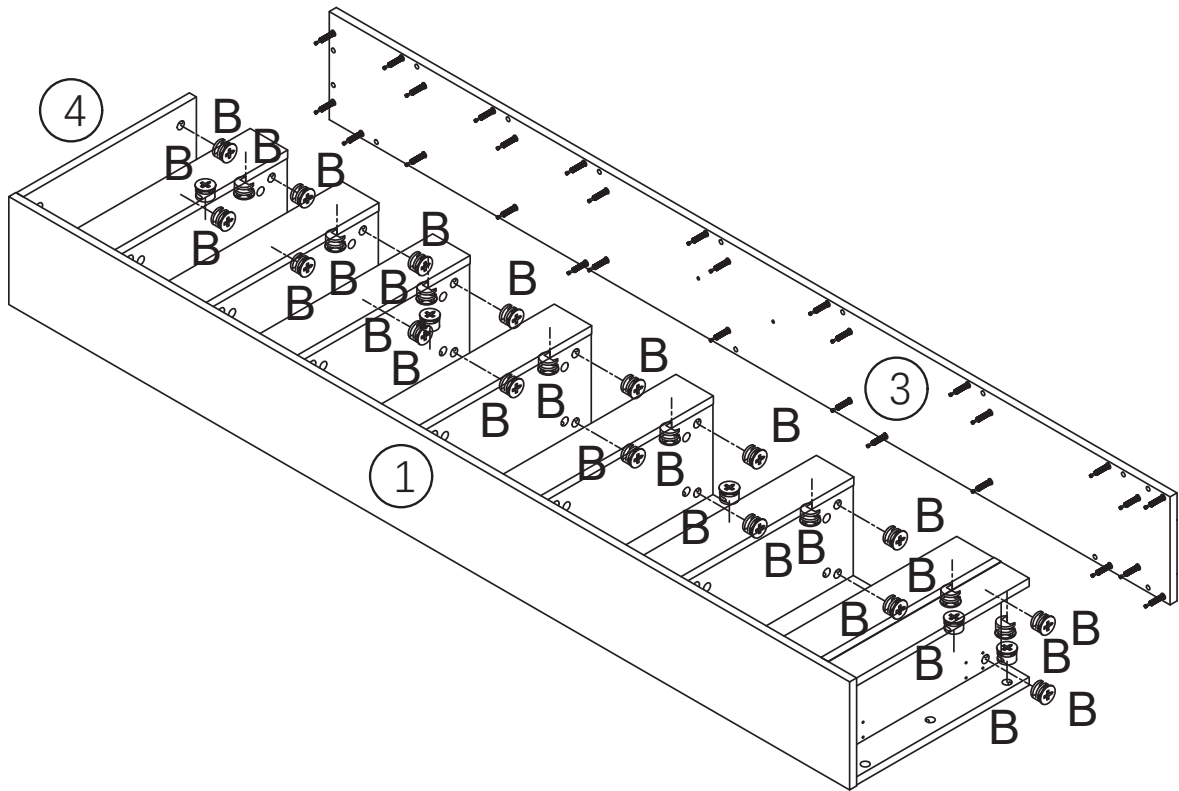
8



Put B on (4) (5) (6) (7) (8) (9)

B\*29

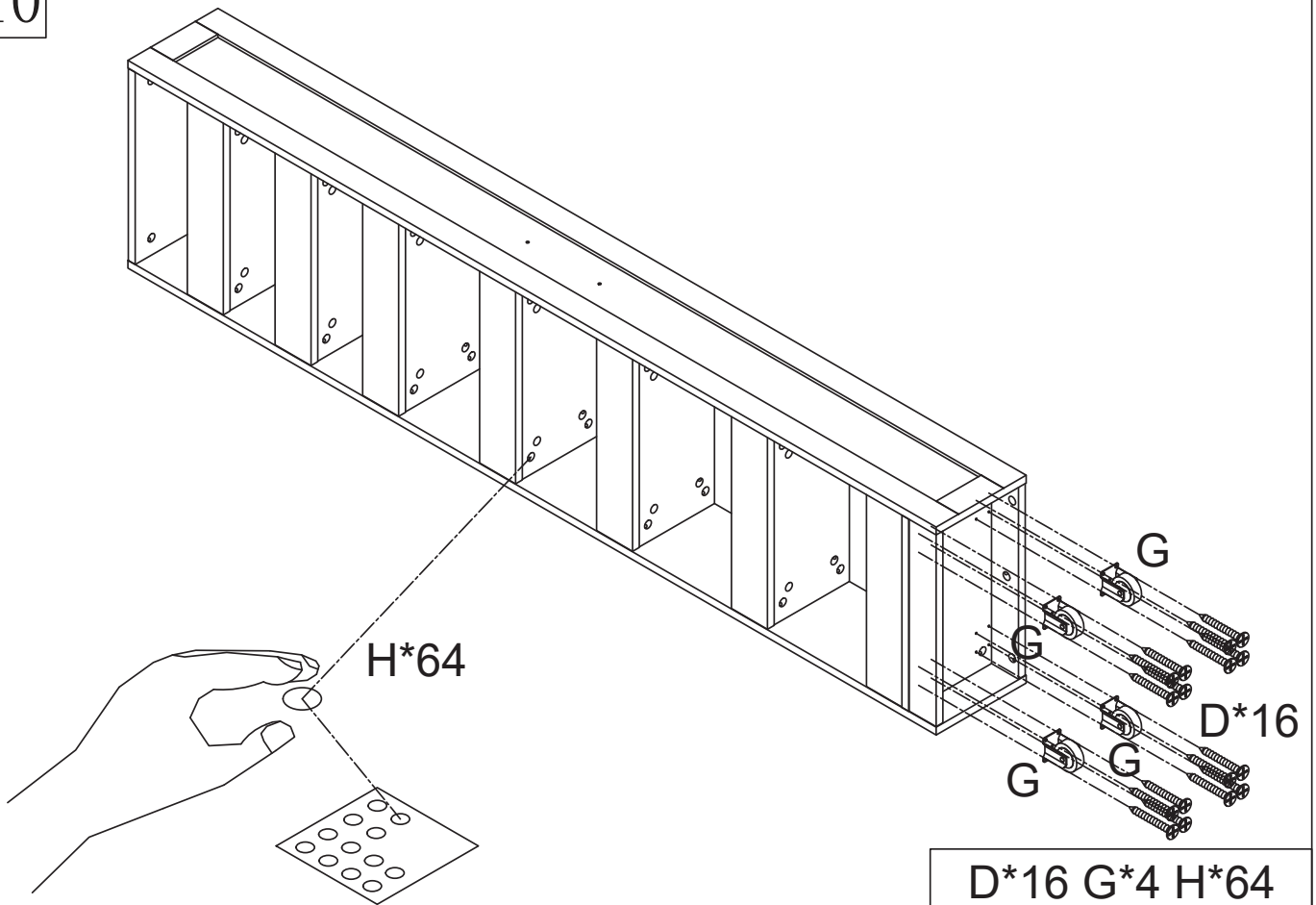
9



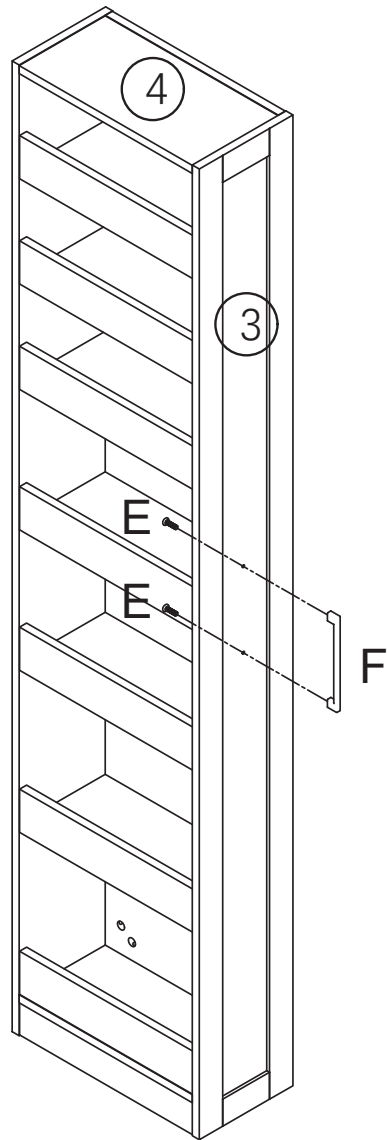
Put B on (4) (5) (6) (7) (8) (9)

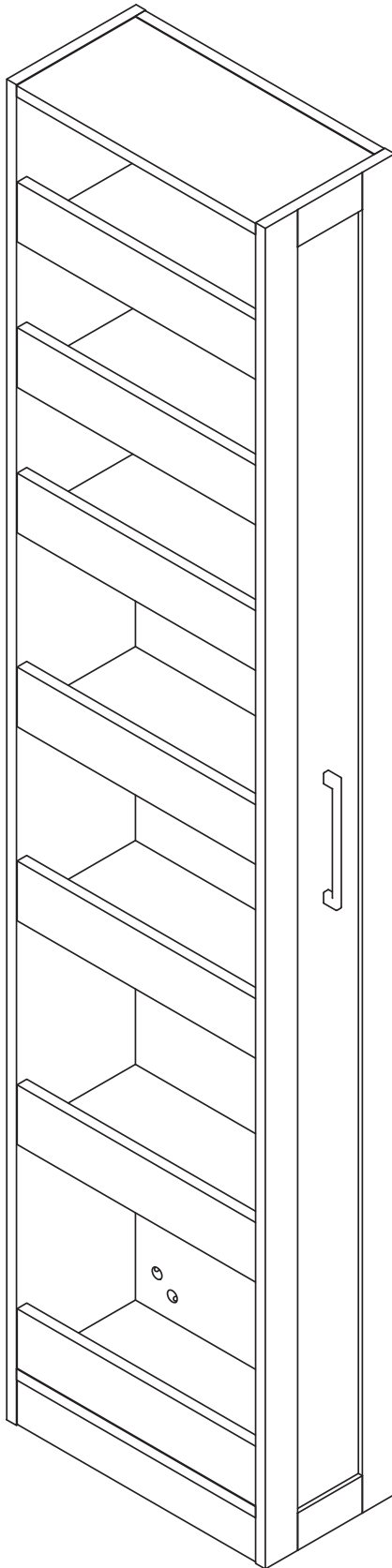
B\*29

10



D\*16 G\*4 H\*64





End