



# INSTALLATION INSTRUCTIONS

## Post Feet for Freestanding Screens

Accessory for  
OUTDECO Post  
& Frame System

**PLEASE READ INSTRUCTIONS COMPLETELY BEFORE YOU BEGIN:** We recommend following best building practices for installing OUTDECO Post Feet with OUTDECO Steel Posts in accordance with their intended purpose. Examples shown in this document are installation suggestions. If in doubt, consult a professional. All components of the OUTDECO Post & Frame System have a 5-Year Limited Warranty for material integrity when installed per these instructions. Installers assume responsibility for the installation. (See full warranty at [outdecousa.com/post-frame](http://outdecousa.com/post-frame).)

Suitable for pro builders and DIY crafters. Installation requires 2 people.

Illustrations not to scale. Black posts and channels rendered in gray.

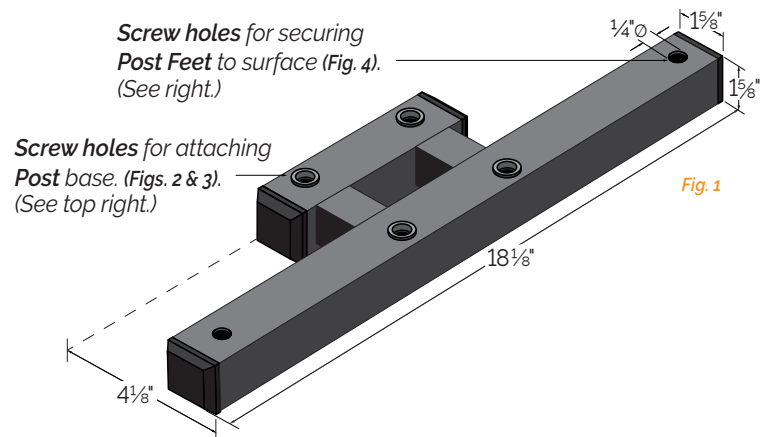
### Post Feet Features

For use with OUTDECO's Post & Frame System and Decorative Panels or Slat Fencing.

- Post Feet holes (Fig. 1) align with base plates of OUTDECO 75" or 52" Surface-Mount Posts for quick and easy installation.
- Galvanized steel with black powder-coating
- Post Feet can be attached to Posts before or after installing Decorative Panels or Slats.
- **CAUTION:** If screens are placed outdoors in windy conditions, temporarily secure Post Feet to surface.

### WHAT'S IN THE BOX

#	ITEM
2	Post Feet – Black powder-coated galvanized steel
8	Post Feet Hex Bolts – 8.8mm $\phi$ x 1"L

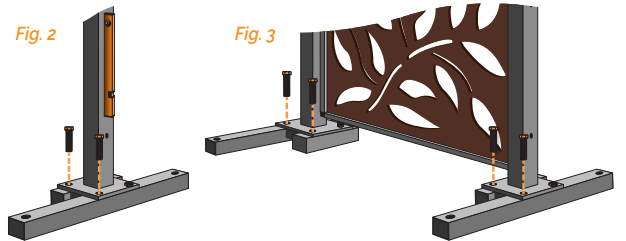


### Installing Post Feet

on OUTDECO 75" or 52" Surface-mount Posts

Post Feet may be attached before (Fig. 2) or after (Fig. 3) attaching Panel Frame Kits and Panels to Posts. See Kit instructions.

1. Position Post base plate over center of Post Feet and align screw holes. Check that Post is level.
2. Insert included Post Feet Hex Bolts and tighten securely, but do not overtighten (Figs. 2 & 3).

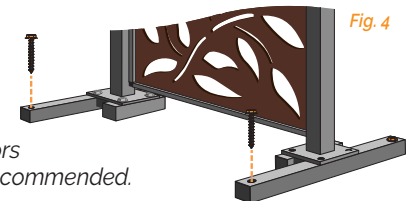


**IMPORTANT:** Installed screens should be moved by 2 or more people to avoid damage to Panels and Panel Frames.

### Securing Post Feet in Outdoor Windy Conditions

1. To secure screens, temporarily attach to surface.
2. Pre-drill the surface and screw through the 1/4"  $\phi$  holes at each end of the Post Feet (Fig. 4). Use minimum 3"L screws with washers (not included).
3. Add sand bags if necessary.

**IMPORTANT:** Locating screens outdoors in intense winds is not recommended.



### RELATED OUTDECO PRODUCTS

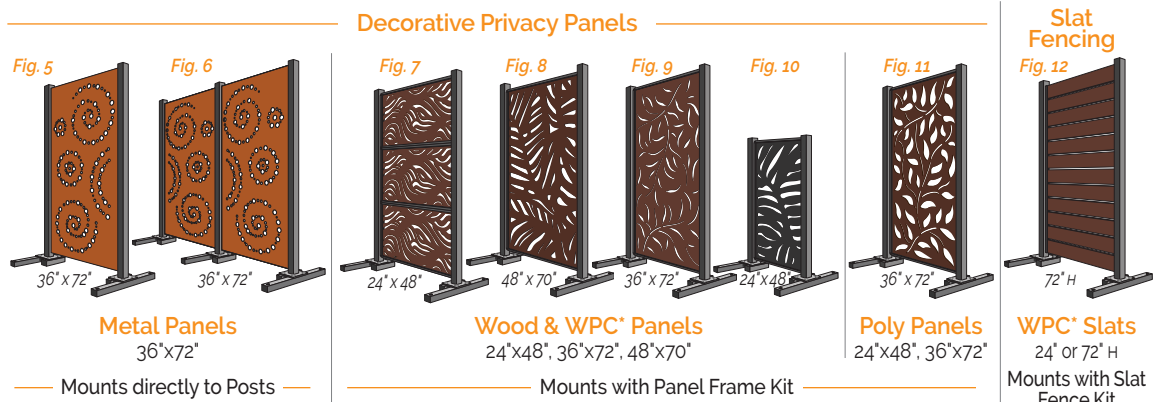
#### Post & Frame System

- **Surface-Mount Post:** 75" (Figs. 5-9, 11 & 12) & 52" (Fig. 10)
- **Panel Frame Kit:** 24"x48", 48"x70", 36"x72"; Attaches to posts, holds Panels – Wood (Figs. 7-8), WPC\* (Figs. 9 & 10), Poly (Fig. 11)
- **Slat Fence Kit:** 24"H, 72"H; Attaches to posts, holds WPC\* Fence Slats (Fig. 12)

\* Wood-Poly Composite

### CONFIGURATION EXAMPLES

Movable panel screens and slat fencing enhance décor or partition private spaces – indoors or outdoors.



See all OUTDECO USA products and find more info on our websites.



Metal & Wood Panels, WPC Slats, Posts, Frame & Slat Kits  
[outdecousa.com](http://outdecousa.com)



WPC Panels, Posts, Frame Kits  
[modinexpansels.com](http://modinexpansels.com)



Poly Panels, Posts, Frame Kits  
[design-vu.com](http://design-vu.com)