

Installation & Assembly



Dining Chair

ASSEMBLY INSTRUCTIONS

ASSEMBLY TIPS:

1. Remove hardware from box and sort by size.
2. Please check to see that all hardware and parts are present prior to start of assembly.
3. Please follow attached instructions in the same sequence as numbered to assure fast & easy assembly.

Warning !!

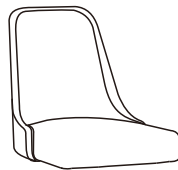
1. Don't attempt to repair or modify parts that are broken or defective. Please contact the store immediately.
2. This product is for home use only and not intended for commercial establishment.

ASSEMBLY TIME

15 MINUTES

PARTS IDENTIFICATION

A CHAIR SEAT & BACK



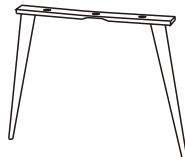
1 PC

C UPPER LEG FRAME



1 PC

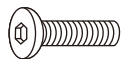
B LOWER LEG FRAME



1 PC

HARDWARE IDENTIFICATION

1 BOLT M6X30MM



5pcs

2 WASHER Ø6X20X2MM



5pcs

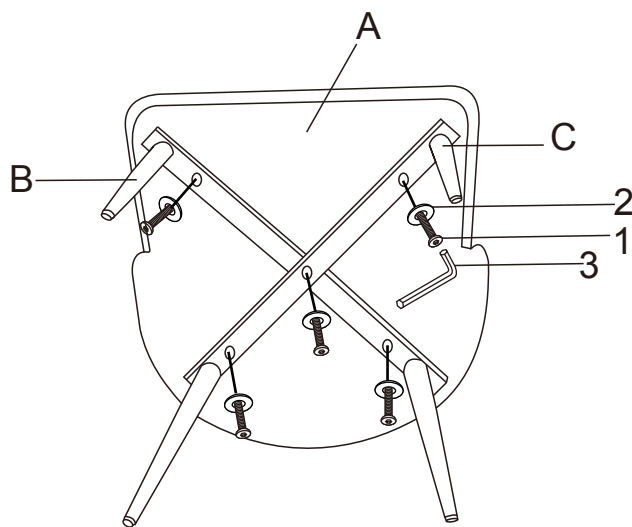
3 ALLEN WRENCH 5MM



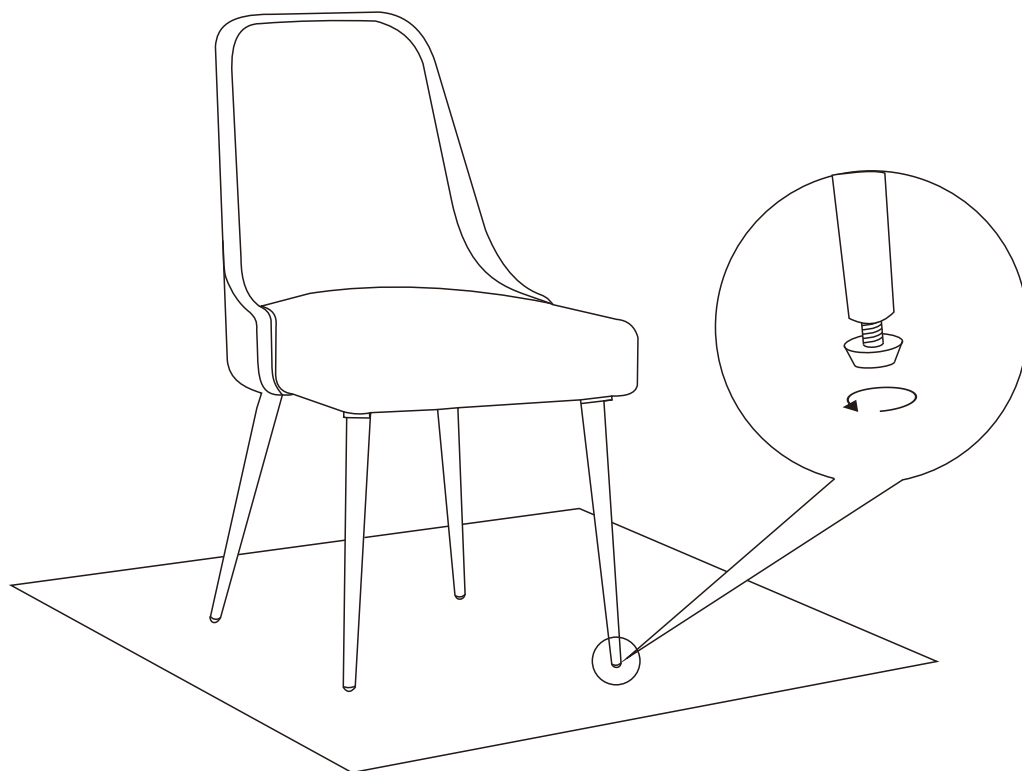
1pc

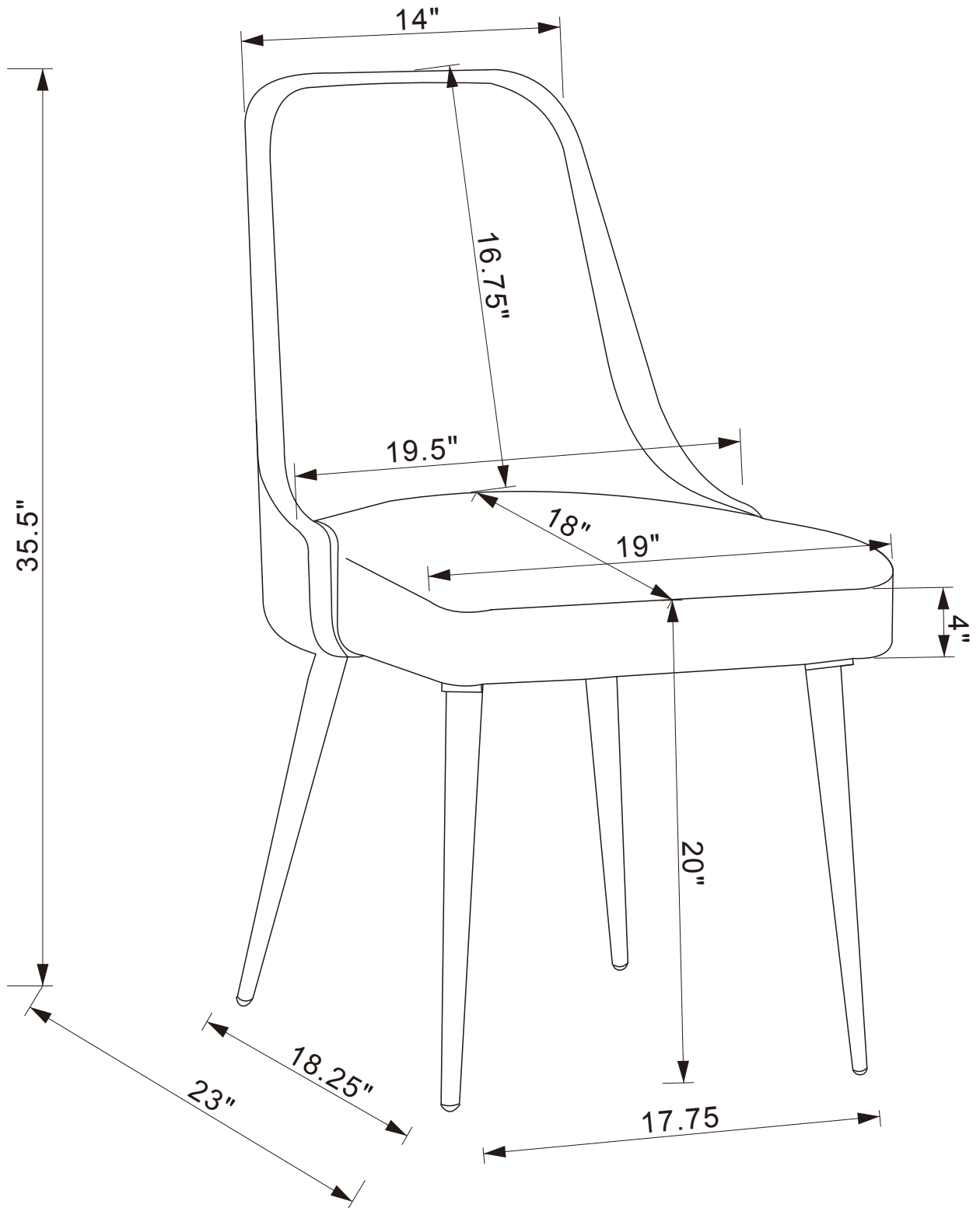
ASSEMBLY INSTRUCTIONS

STEP 1



STEP 2 COMPLETE





Note: Dimension tolerance $\pm 5\%$