

INSTRUCTION MANUAL

12FT x 22FT Gazebo

**IF YOU PURCHASED THE PRODUCT ONLINE AND HAVE ANY
QUESTIONS OR CONCERNS PLEASE
CONTACT US WITH EMAIL OR TEXT**

EMAIL: yardsightfurniture@outlook.com

TEXT: +1 323-400-0363

Thank you for your purchase of Gazebo and follow this assembly and operation guide.

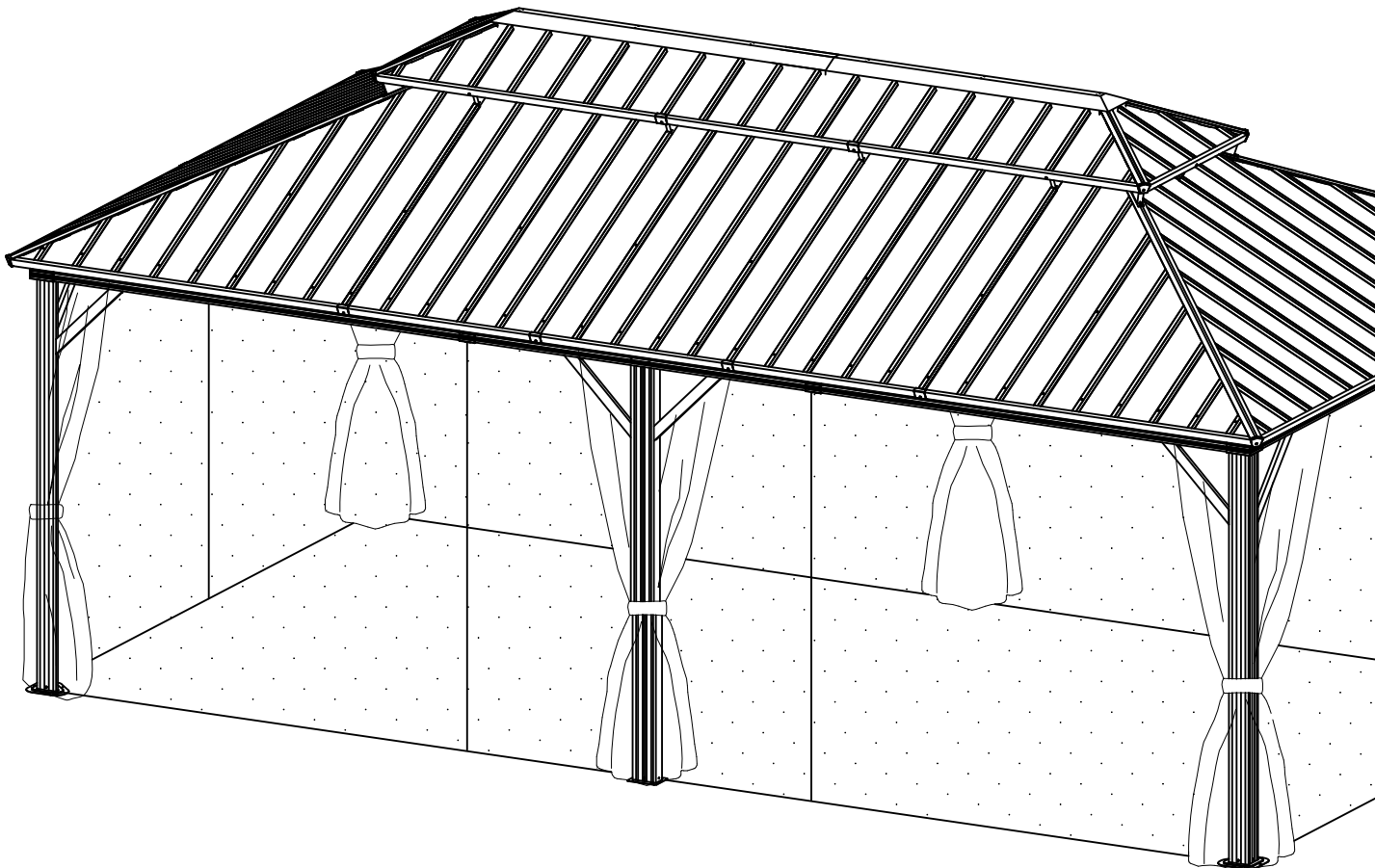
To reduce personal injury and damage to your gazebo, please attach your gazebo netting to the post when it is incoming over **20 mph** wind.

We recommend a **five-person team** for assembly and disassembly.

If you like our products,
please follow more.

Care and Cleaning

- Wash frame parts and fabric with mild soap and water, rinse thoroughly.
- Dry the frame completely and allow the fabric to drip dry.
- Do not use bleach, acid, or other solvents on the fabric or frame parts.
- Please inspect and tighten all bolts or fasteners on a regular basis to ensure the proper performance and safety of your gazebo.



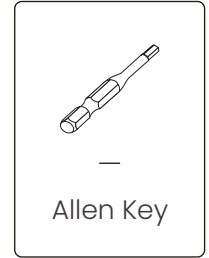
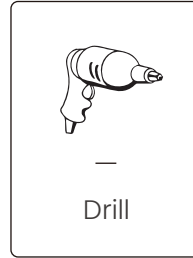
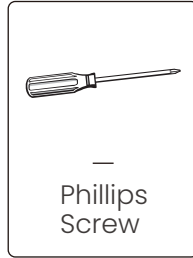
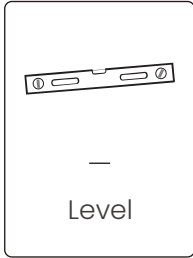
Warnings and Cautions

- Please retain this instruction for future usage and read carefully before assembly.
- Make sure you have all the parts & hardware as the item list shows.
- 5 adults or more are recommended to install your gazebo.
- Do not discard any of the packaging until you have checked that you have all the parts and pack of fittings.
- Check all bolts for tightness before use, and periodically check and tighten bolts to ensure your gazebo works properly.
- Some parts might have sharp edges/corners. Please follow basic safety precautions to reduce the risk of hurt.
- It is essential to place the gazebo on level ground and not less than 6 feet from any obstruction such as fences, garages, the house, overhanging branches, laundry lines, or electrical wires.
- Lastly, be careful the parts are not swallowed by pets and kids.

Pre-assembly

TOOLS THAT MAY BE REQUIRED (NOT included in the boxes)

*NOTE: Tools / equipment are not shown to actual size and scale

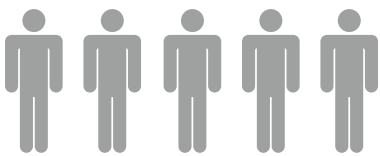


EQUIPMENT REQUIRED (NOT included in the boxes)

*NOTE: Equipment are not shown to actual size and scale



Matters needing attention



Five or more people are required for assembly.



Do not fully tighten screws prior to complete assembly.

Warranty

One Year Warranty

Frames

Frames constructions are warranted to be free from defects in material and workmanship for 1 year from item purchased. Damage to frame from negligence won't be covered by this warranty.

Bolts & nuts

Bolts and nuts are warranted to be free from defects in material and workmanship for 1 year from item purchased. Damage from exposure to chemicals (including not only oils, spills, fluids) won't be covered by this warranty.

Netting

Nettings are warranted to be free from defects in material and workmanship for 1 year from item purchased. Damage from exposure to chemicals (including but not only oils, spills, fluids) won't be covered by this warranty.

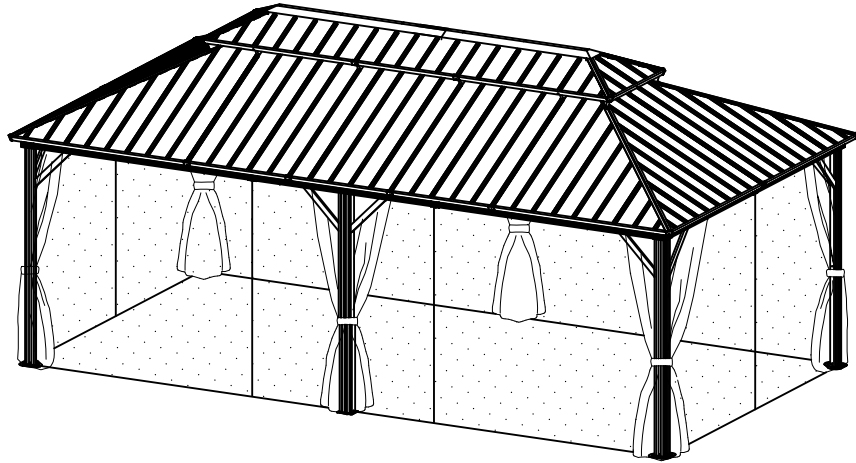
Warranty Limitation

This warranty is for the original purchase order only. (Order number required). This warranty is non-transferable.

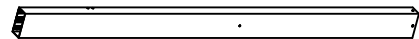
Carton-1/6		Carton-2/6		Carton-4/6	
Part	Qty	Part	Qty	Part	Qty
A	4	J1	2	X1	4
A4	2	N	12	X2	4
D7	4	N1	14	X3	4
C1	4	K	4	X4	4
C2	4	K1	6	X29	2
F1	4	V	6	X30	2
F17	2	Z	64	S1	4
F20	4	Z1	8	S2	4
G15	2	Z2	8	S3	5
G16	2			Carton-5/6	
G17	8			Part	Qty
		Carton-3/6		X5	4
		Part	Qty	X6	4
		B18	2	X7	2
Carton-2/6		L8	2	X8	2
Part	Qty	M8	2	X31	2
B1	2	L8B	1		
B2	2	D8	4	Carton-6/6	
B5	2	D22	8	Part	Qty
B6	2	F2	4	S3	5
D23	2	F8	4	D15	10
F21	2	G1	2	H	6
V1	2	I1B	2	H1	6
V10a	2	I15	2	J	4
V10b	2	I16	2	P	6
V10C	2	I17	2	T	4+2
Q1	10	Y	104	T1	4+2
Q3	8	U	160	1.2.3.4.5.7.8.9.10. 11.12.14.15.16	1
Q4	12				

Attention:

1. Please do not fully tighten all the screws prior to complete assembly.
2. Please check the manual carefully and make sure you have received all the parts.
3. If there is any missing, please let us know the parts with the part number you need.
4. If there is any damage, please send clear photos to us, we will check and offer you best solution soon.



(A) 4x



(A4) 2x



(B1) 2x



(B2) 2x



(B5) 2x



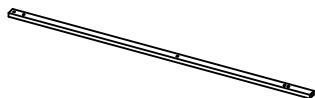
(B6) 2x



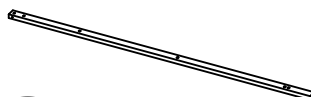
(B18) 2x



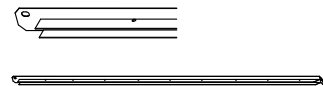
(D7) 4x



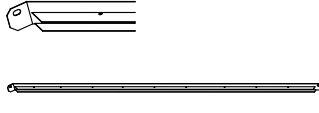

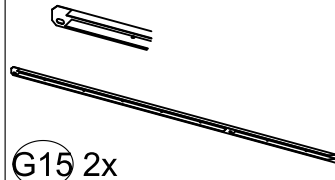
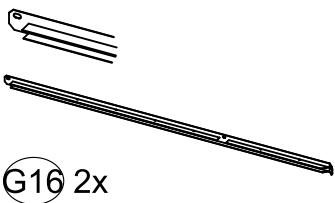
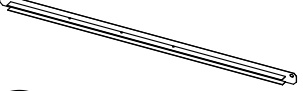
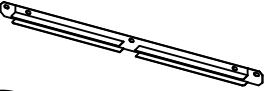
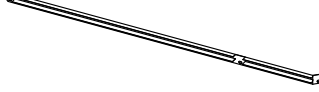

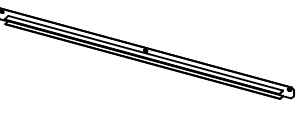
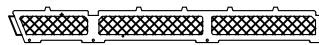

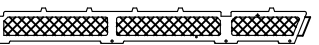



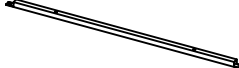
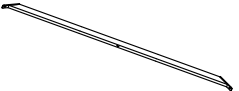
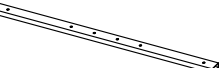
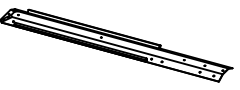
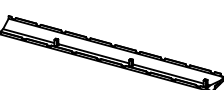

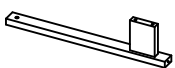
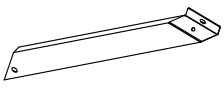
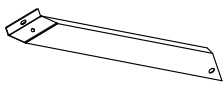
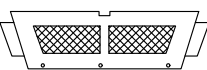
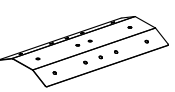
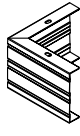

(D23) 2x

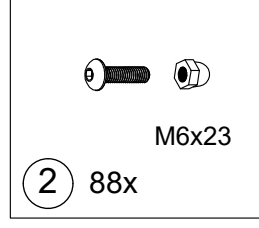
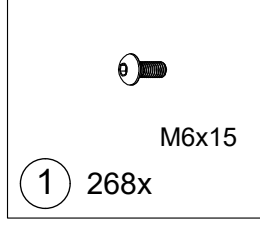
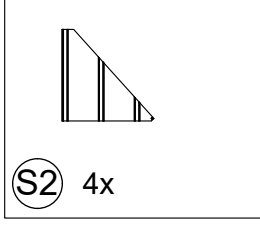
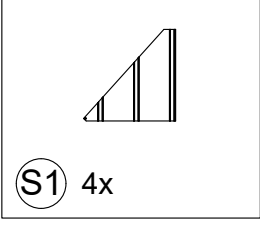
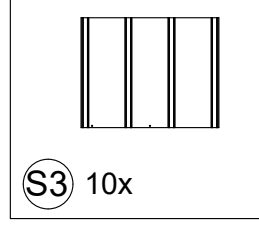
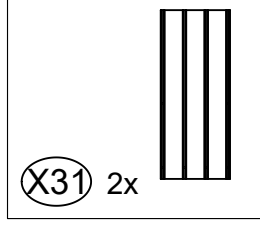
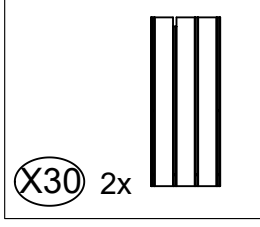
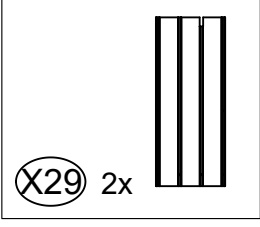
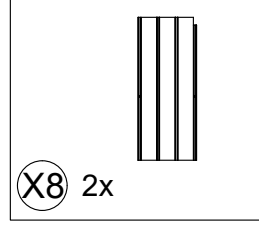
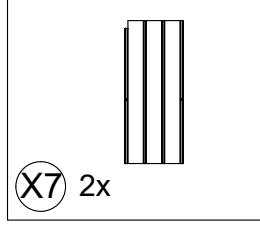
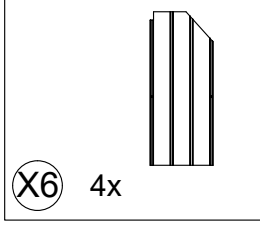
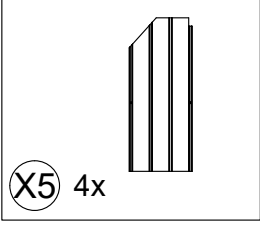
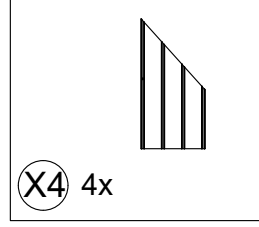
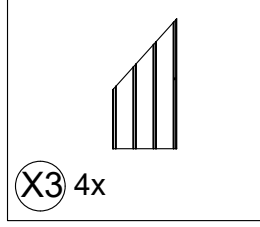
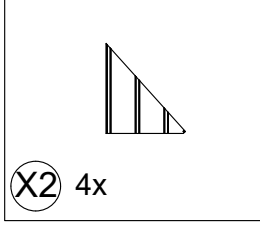
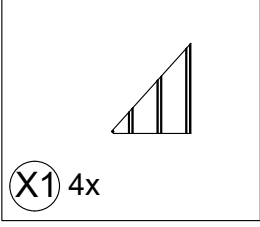
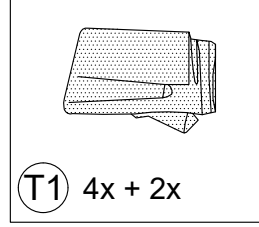
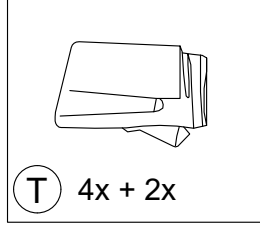
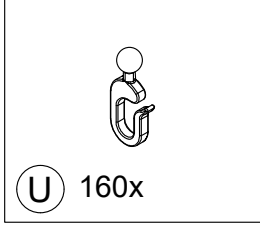
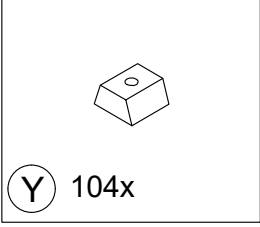
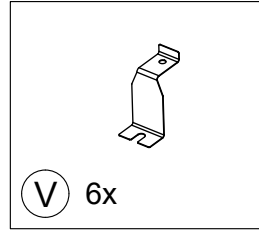
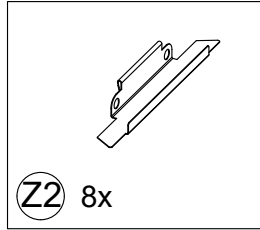
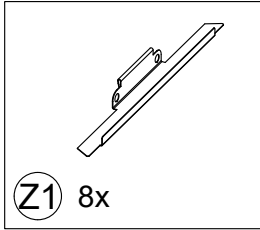
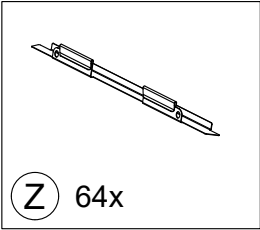
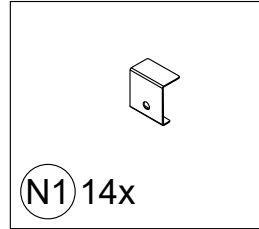
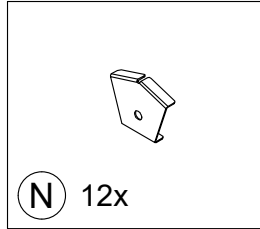
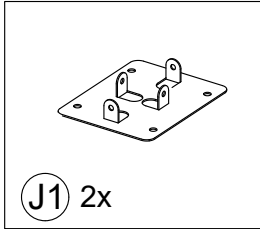
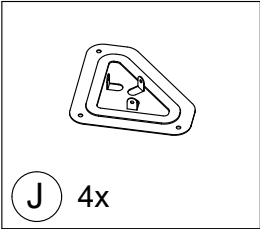
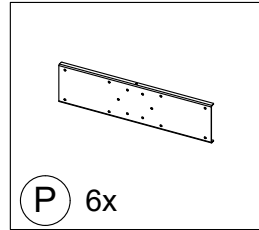
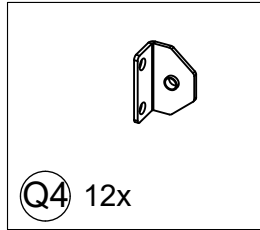
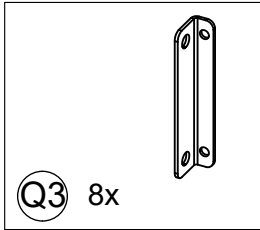
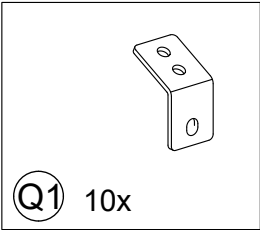


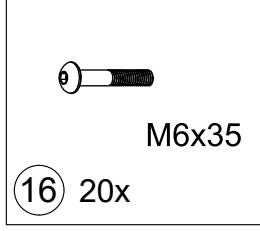
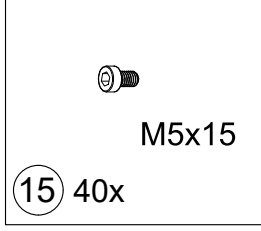
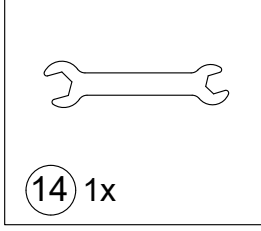
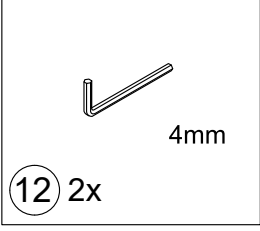
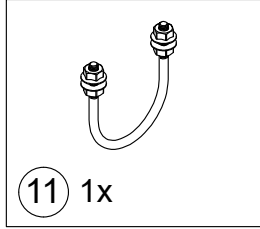
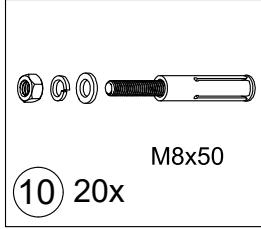
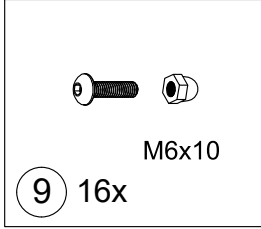
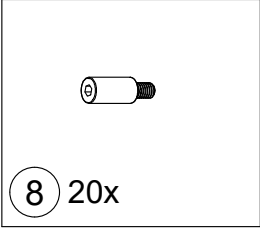
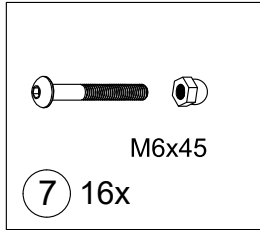
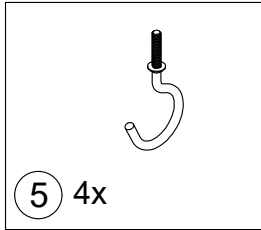
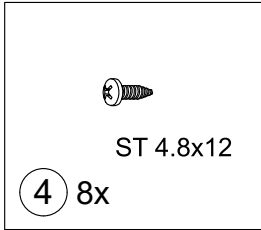
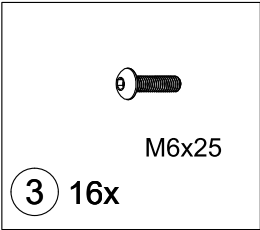
(D22) 8x



(C1) 4x

 C2 4x	 G1 2x	 G15 2x	
 G16 2x	 G17 8x	 I1B 2x	
 I15 2x	 I16 2x	 I17 2x	
 V10a 2X	 V10b 2x	 V10c 2x	
 F1 4x	 F2 4x	 F20 4x	 F21 2x
 F8 4x	 F17 2x	 L8 2x	 M8 2x
 D8 4x	 D15 10x	 H 6x	 H1 6x
 V1 2x	 L8b 1x	 K 4x	 K1 6x



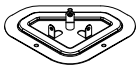


<1>

(A) 4x



(J) 4x



(Q3) 8x



(Q4) 8x



(1) 12x

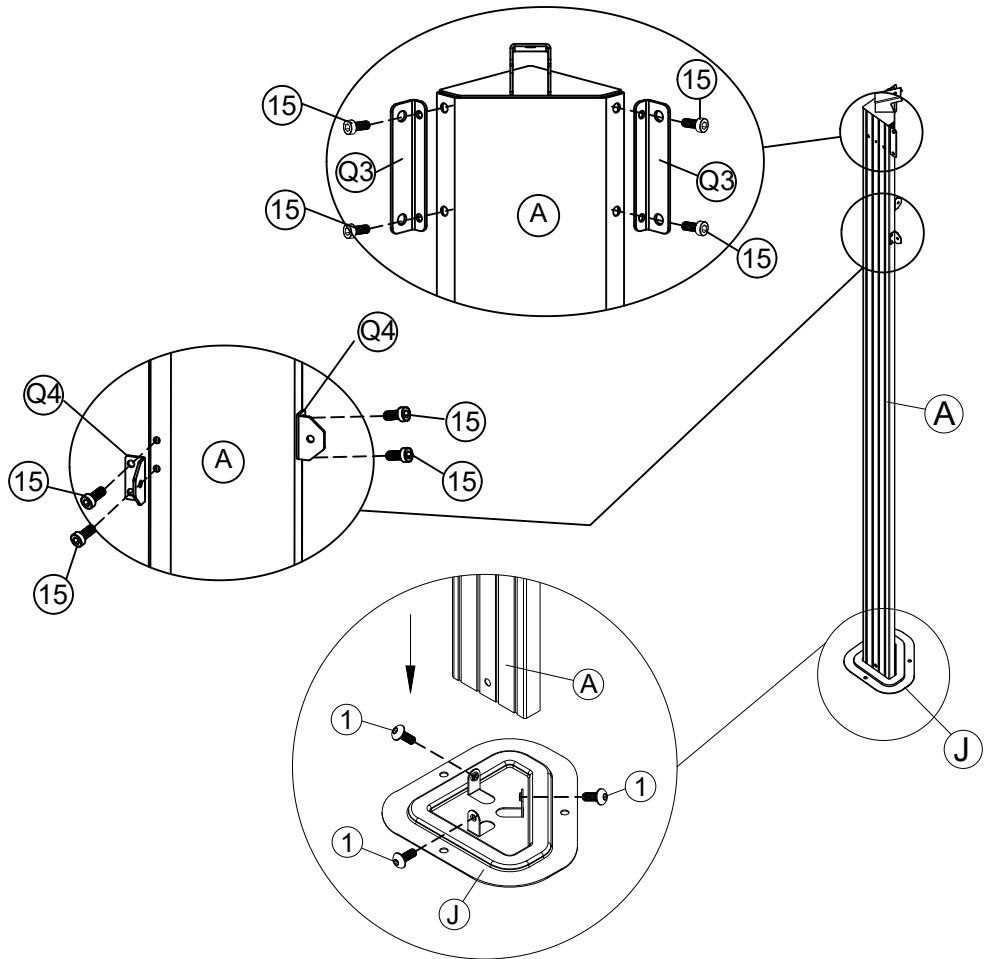


M6x15

(15) 32x



M5x15

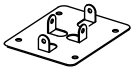


<2>

A4 2x



J1 2x



Q4 4x



1 8x

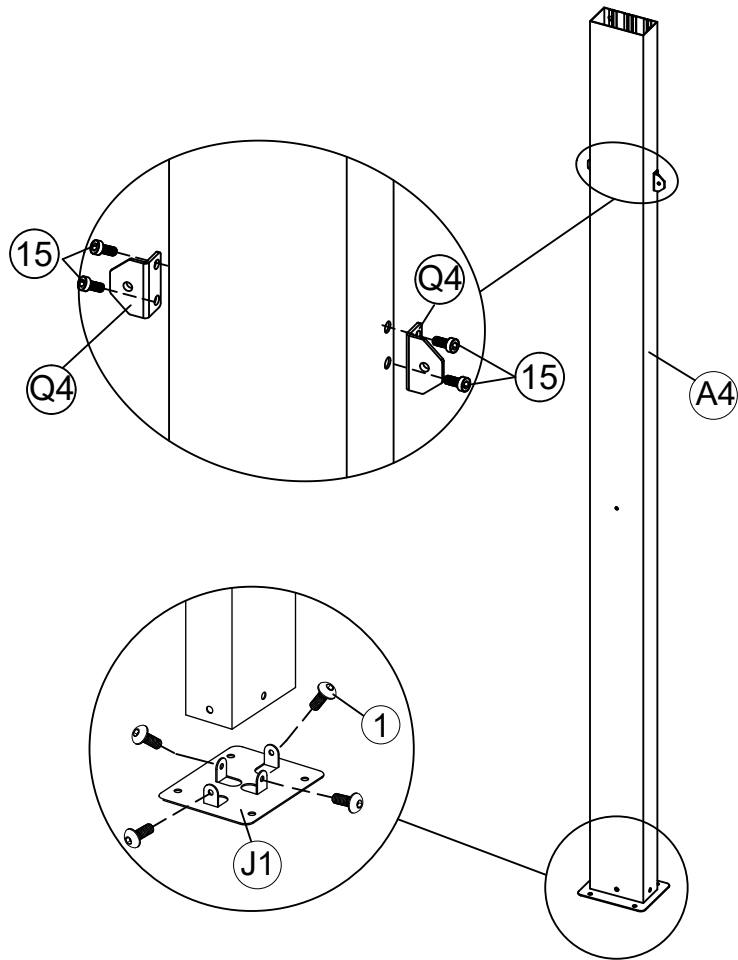


M6x15

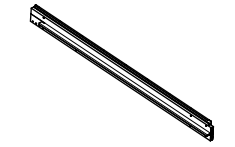
15 8x



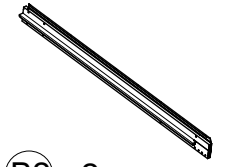
M5x15



<3>



B1 2x



B2 2x

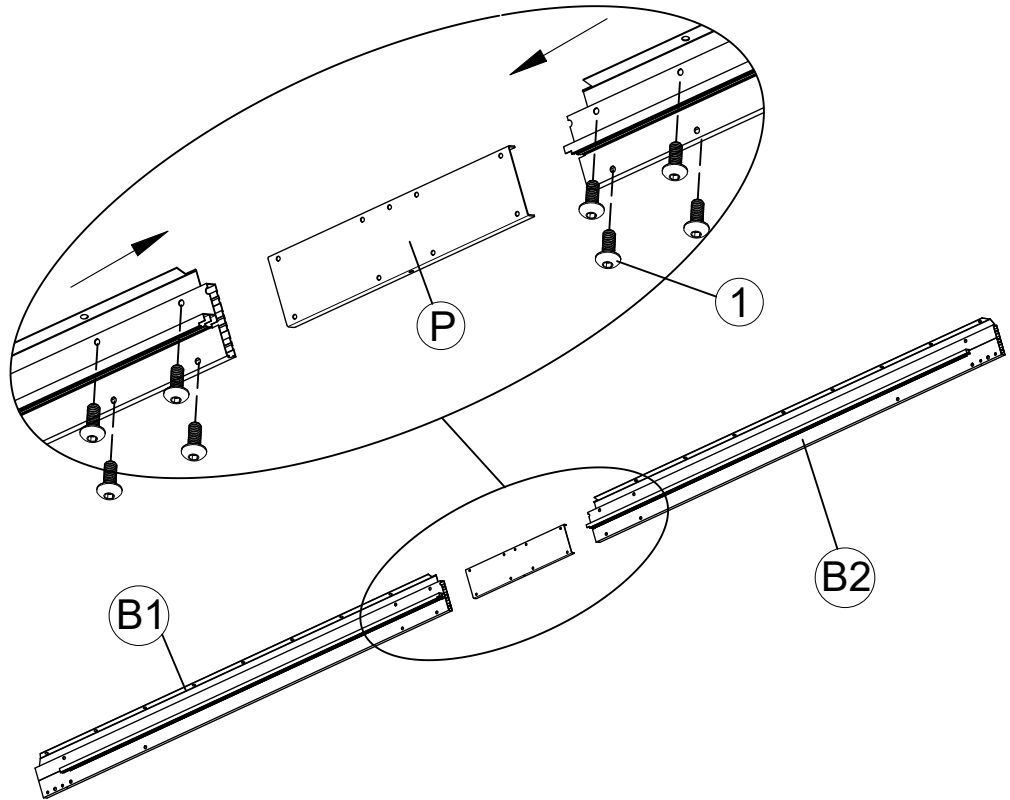




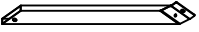
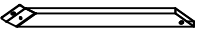


P 2x

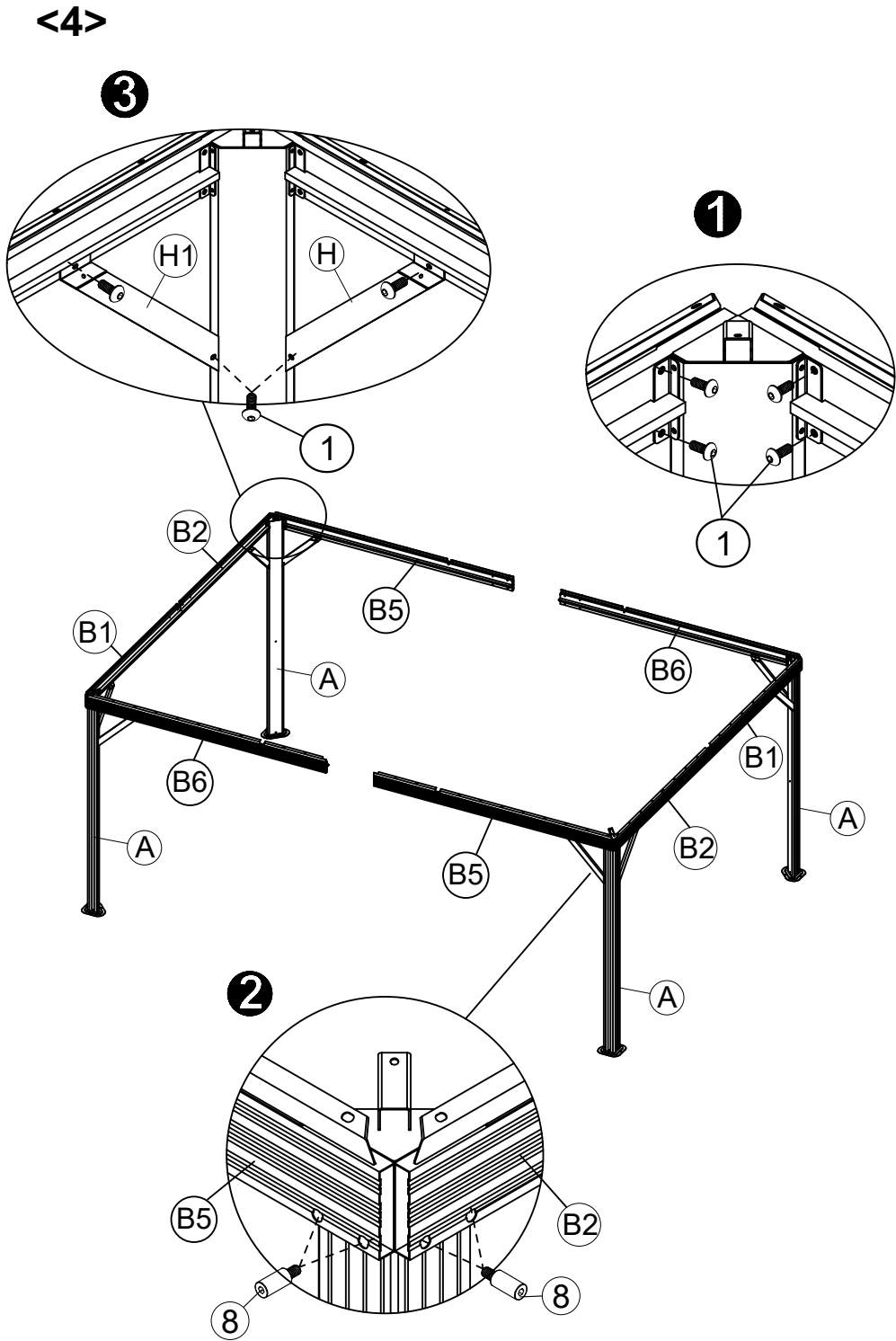


M6x15

1 16x



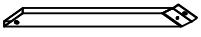
-  **(B5)** 2x
-  **(B6)** 2x
-  **(H)** 4x
-  **(H1)** 4x
-  **(1)** 32x
M6x15
-  **(8)** 16x



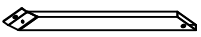
<5>



(B18) 2x



(H) 2x



(H1) 2x



(P) 4x

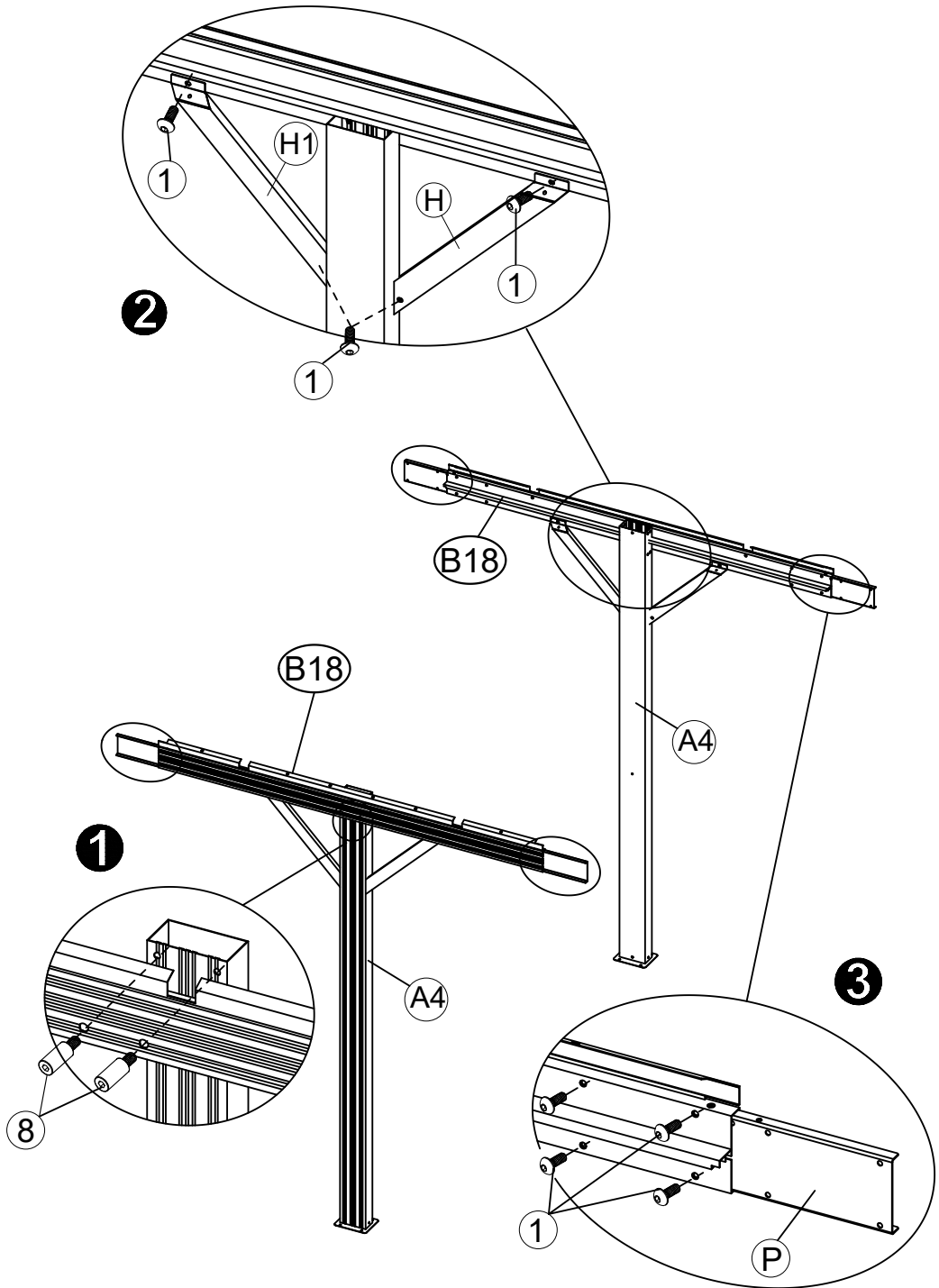


M6x15

(1) 24x



(8) 4x

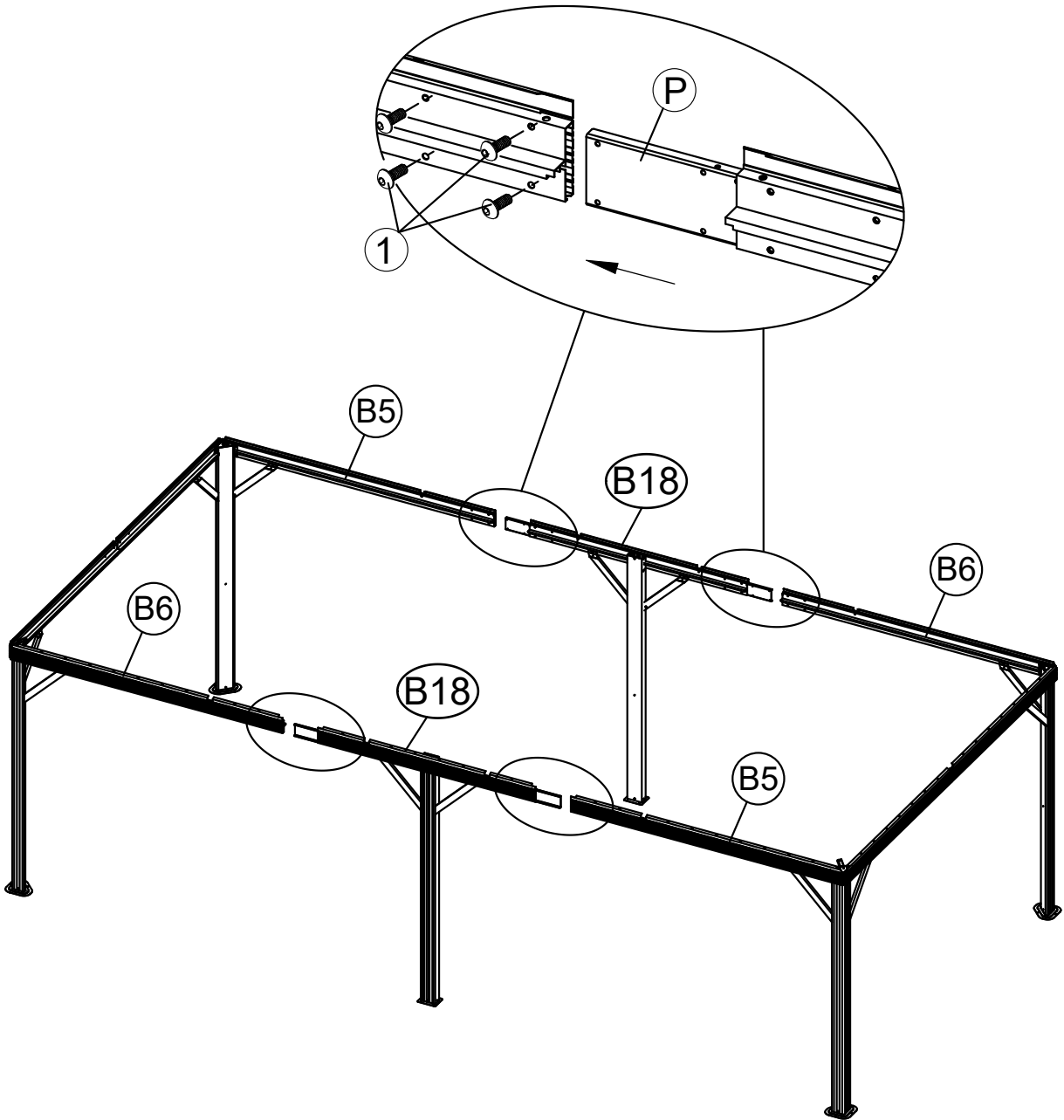




M6x15

<6>

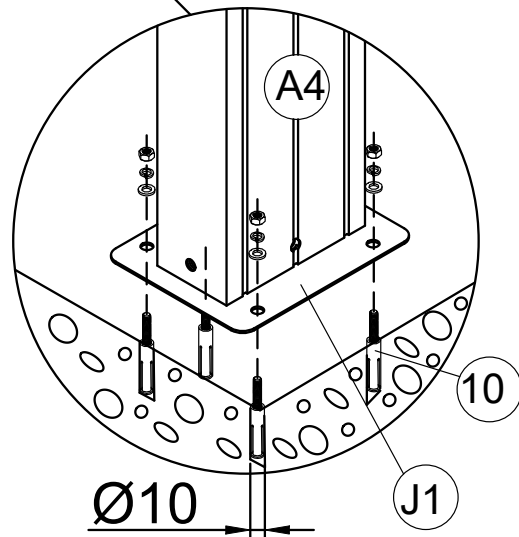
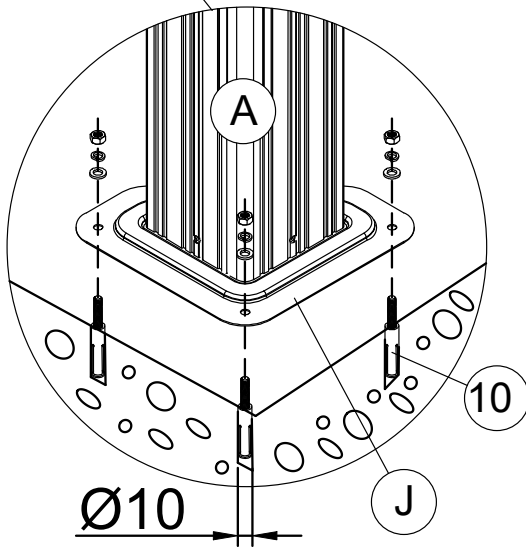
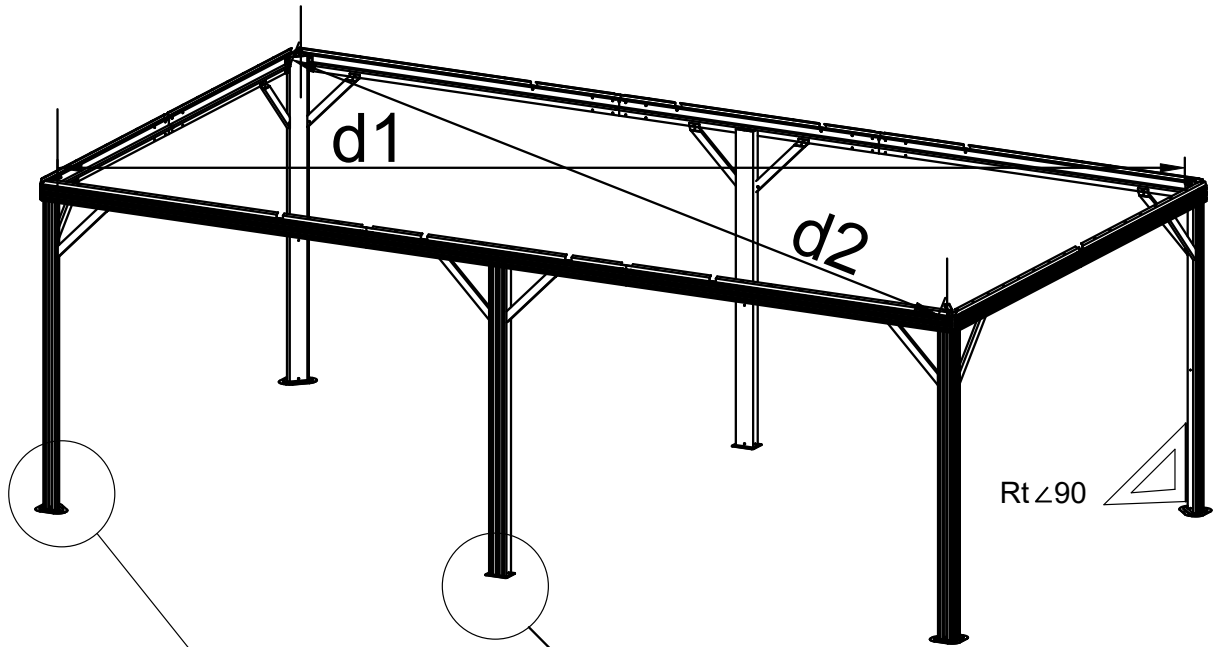
1 16x



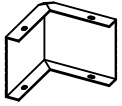


<7>

10 20x

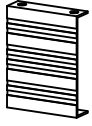


Tips: Please measure to make sure the length of d1 is equal to d2 before moving to next step to ensure a square frame and best results. Otherwise, please loosen the "H" or "H1" screws and adjust them. Keep the beam at right angles to the post, the post at right angles to the ground, and keep the beam horizontal.



(K)

4x



(K1)

6x



(U) 160x



(V) 6x



M6x15

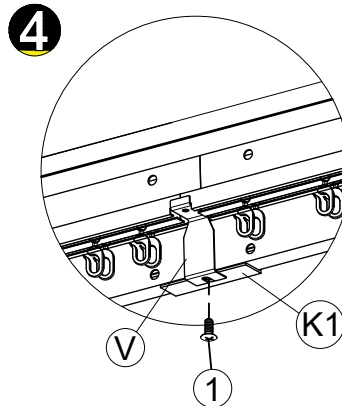
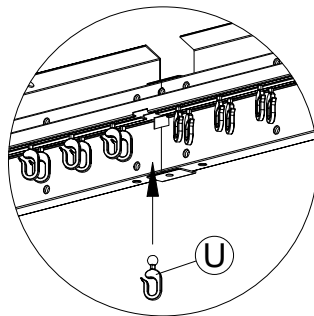
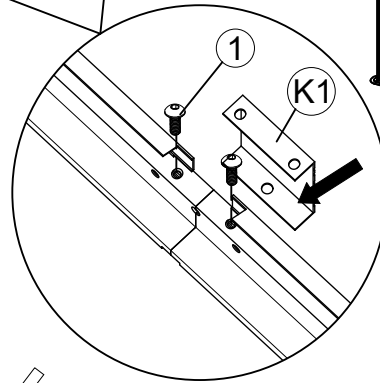
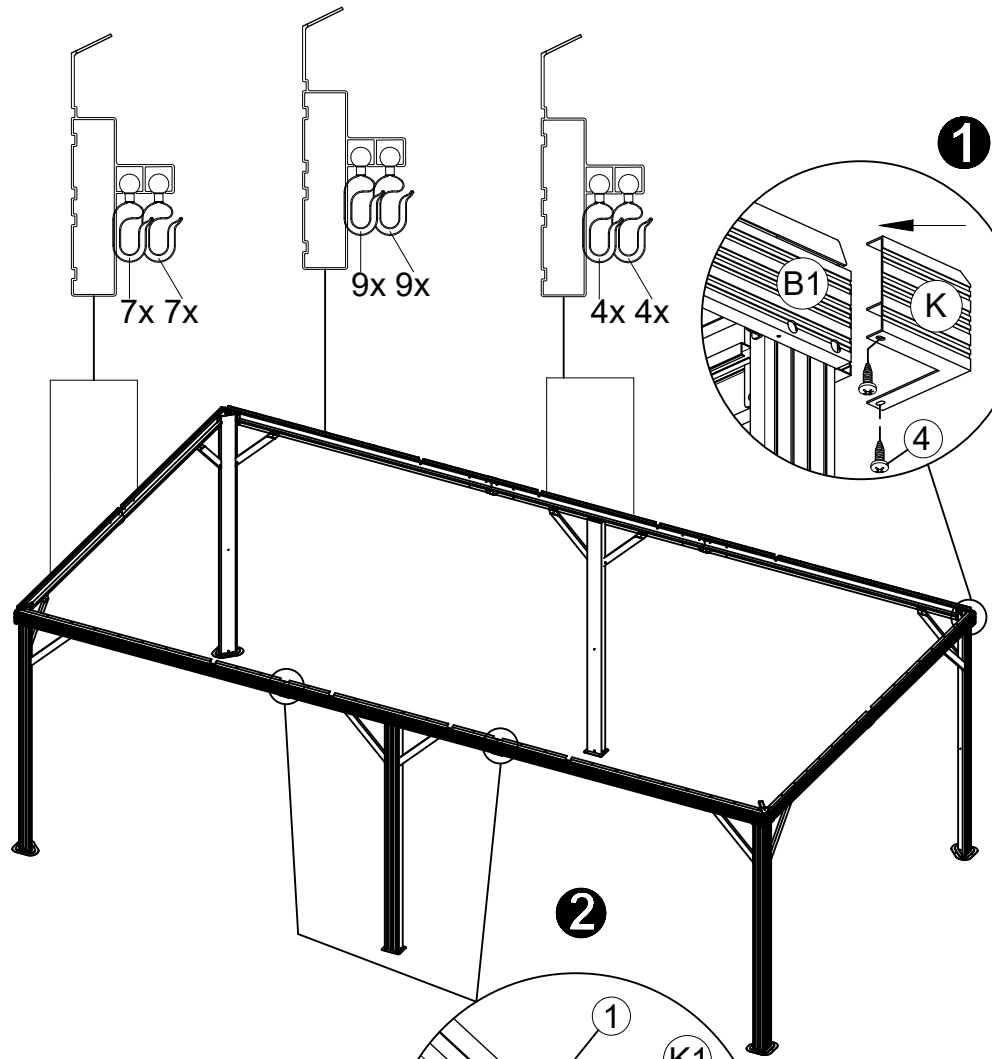
(1) 18x



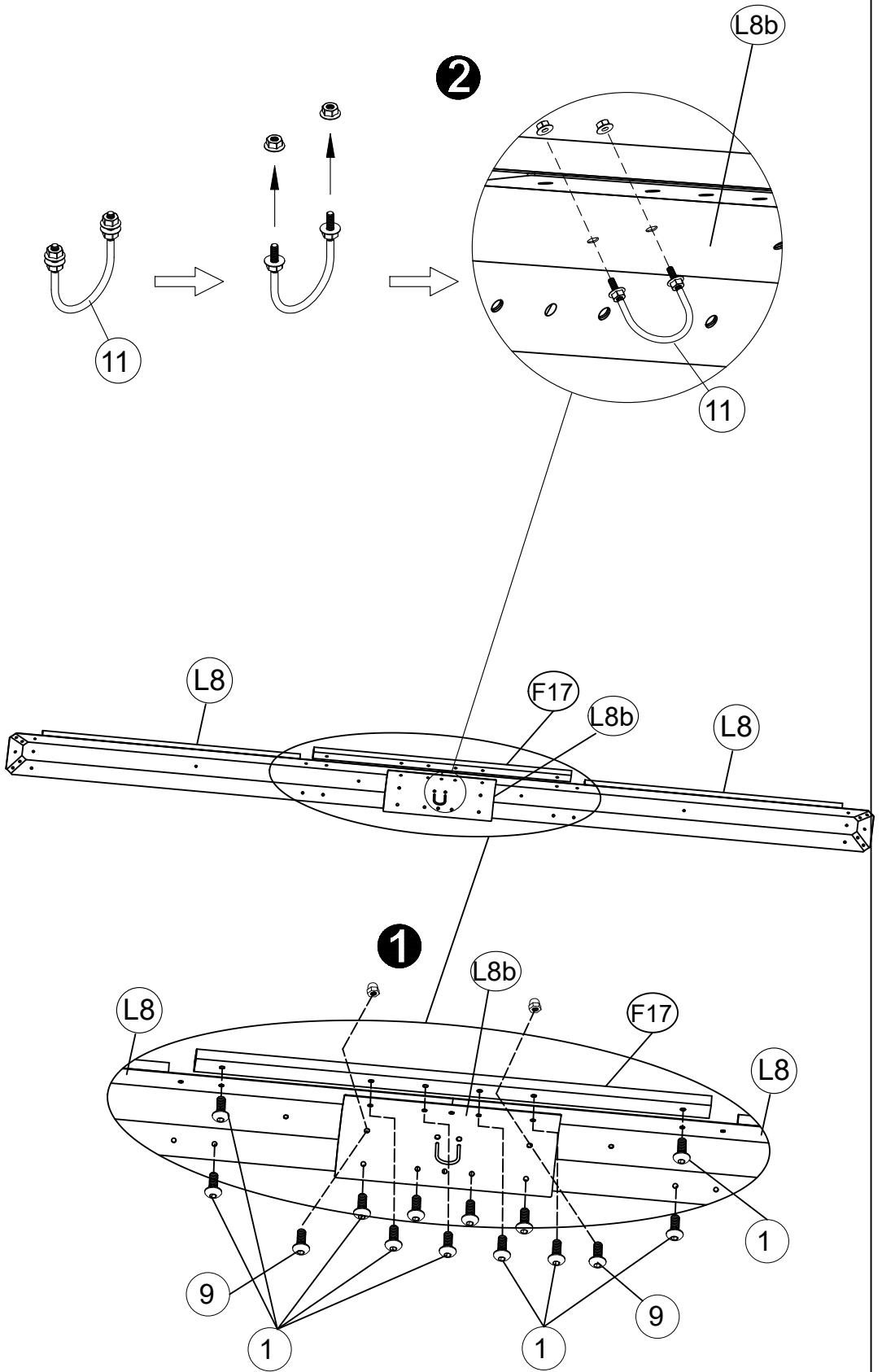
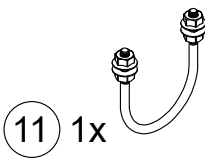
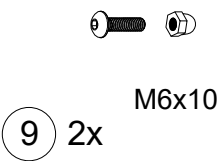
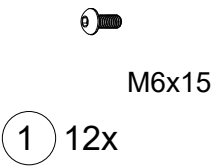
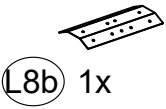
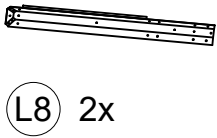
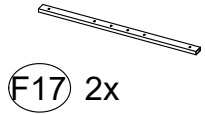
ST4.8x12

(4) 8x

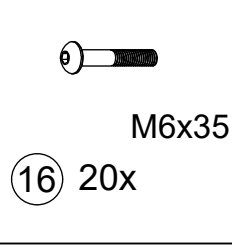
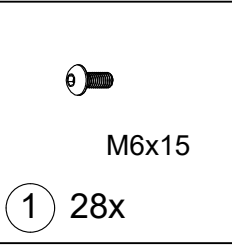
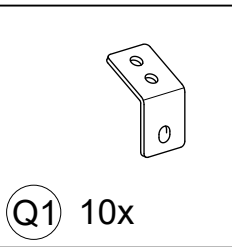
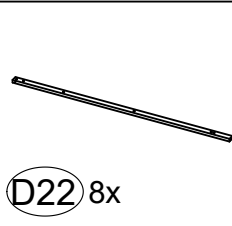
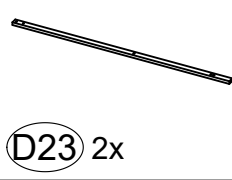
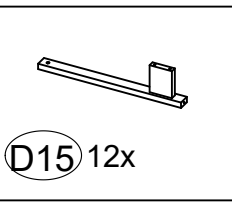
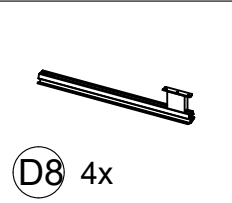
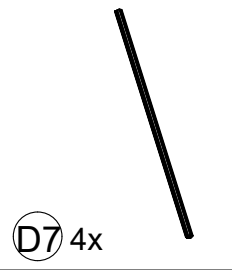
<8>



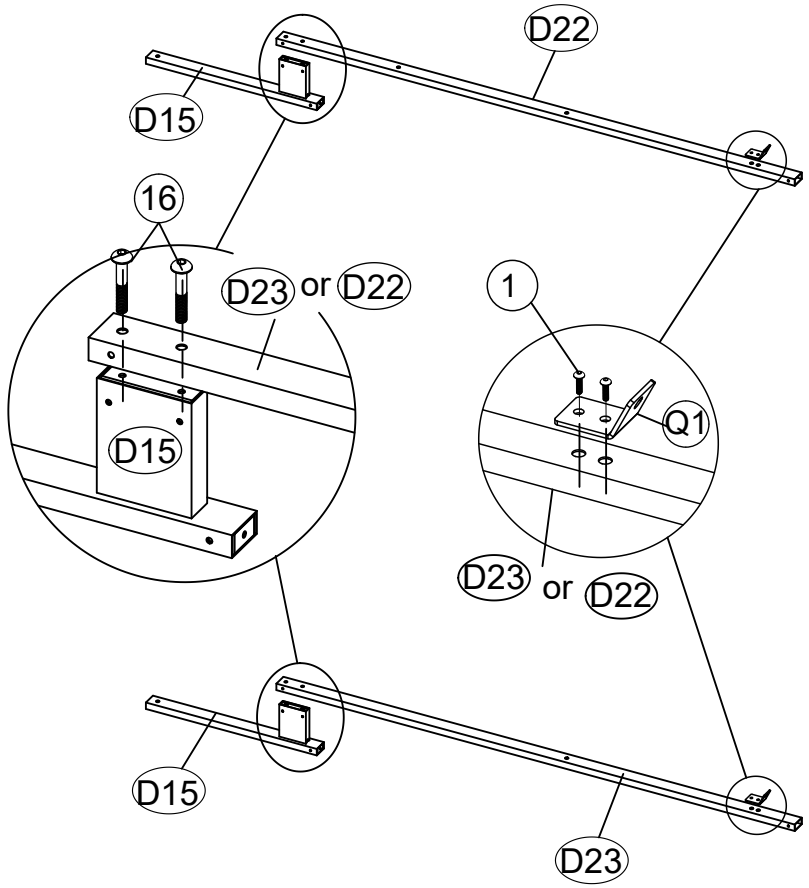
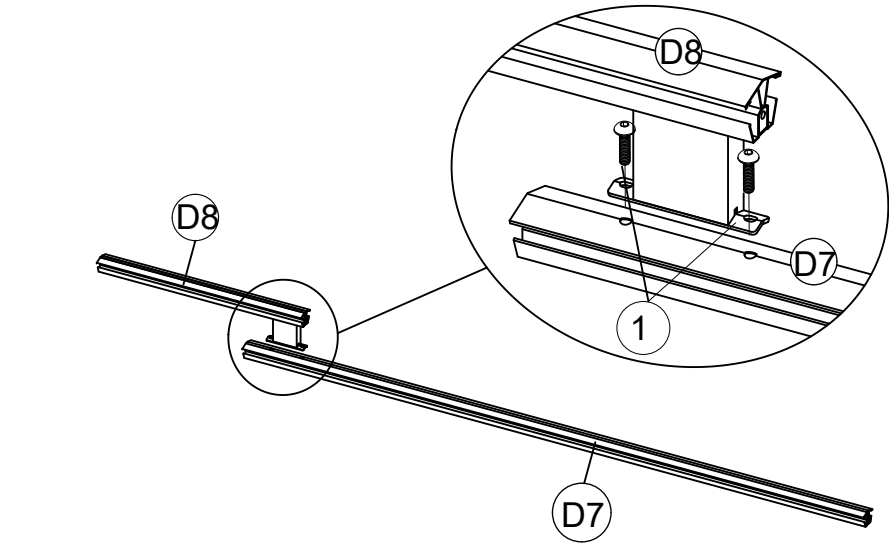
<9>



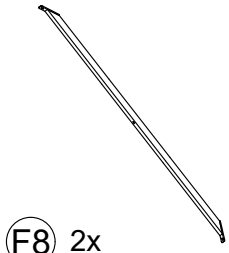
<10>



21



<11>



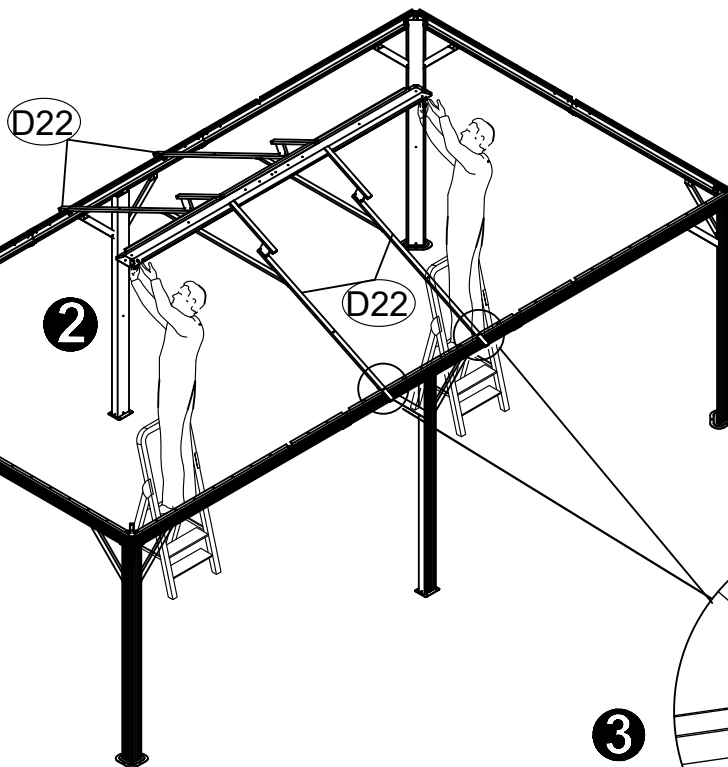
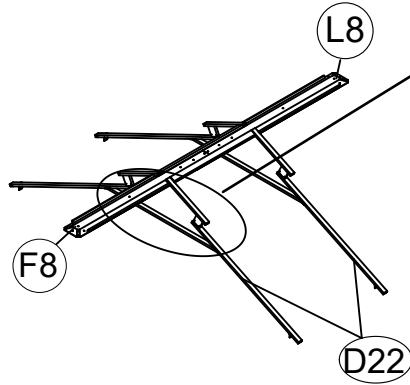
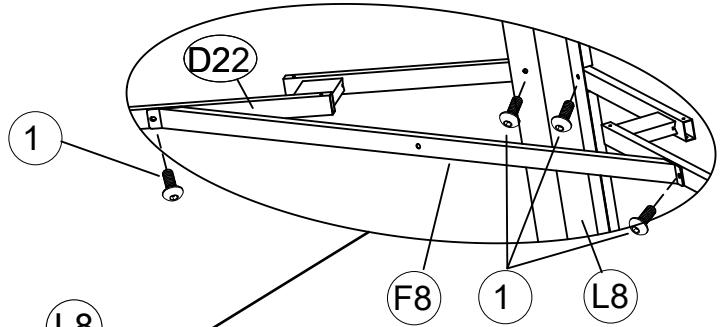
F8 2x



M6x15

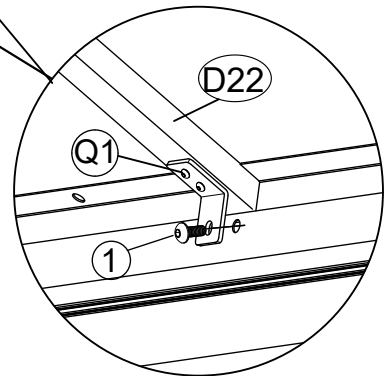
1 12x

1



2

3



Note:

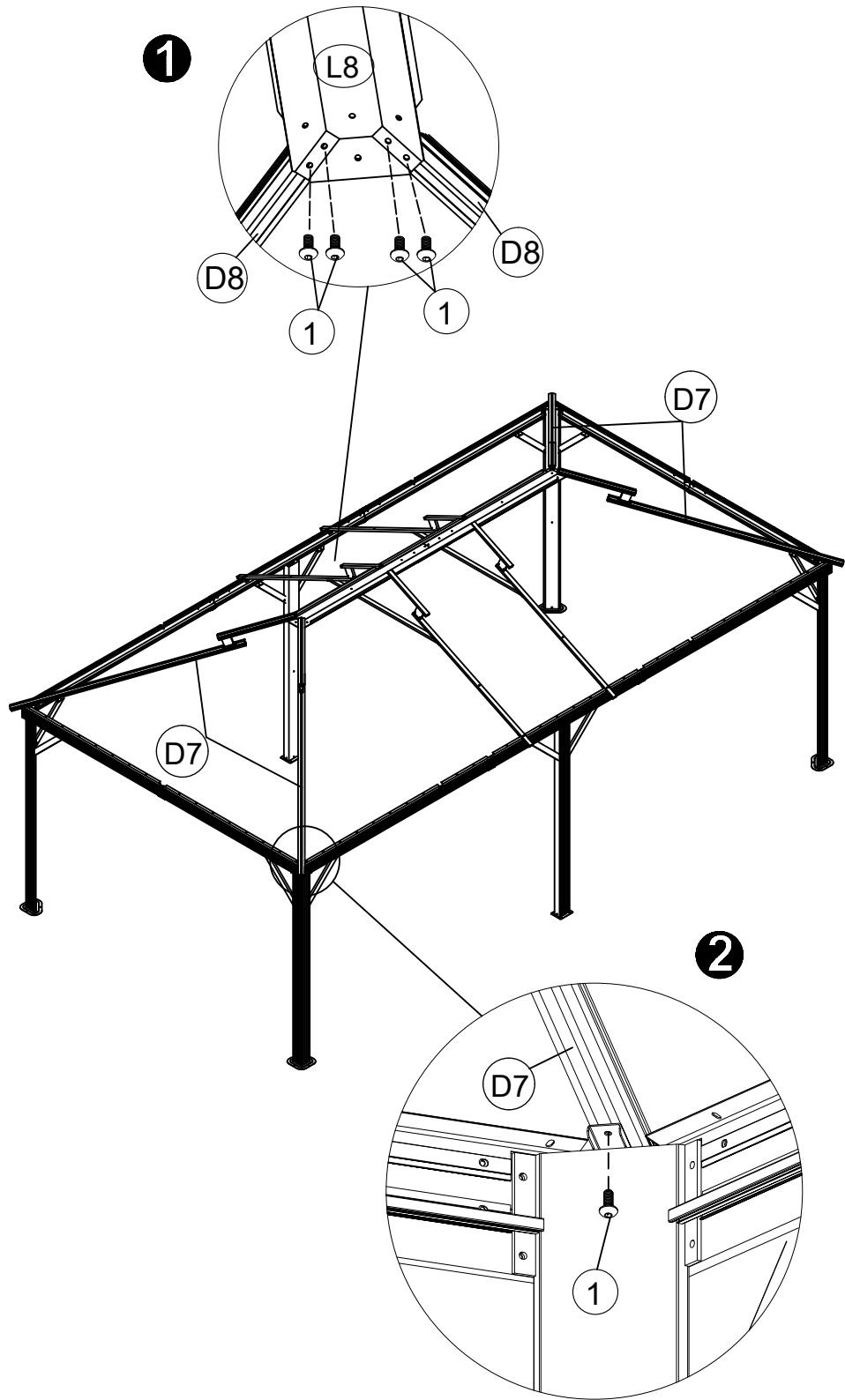
1. Let one person stand on the ladder to lift "L8" and hold and let others fasten the screws connecting both ends of "D22".
2. Please do not let go of holding "L8" until all the "D22" screws are installed.



M6x15

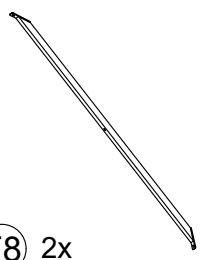
① 12x

<12>



<13>

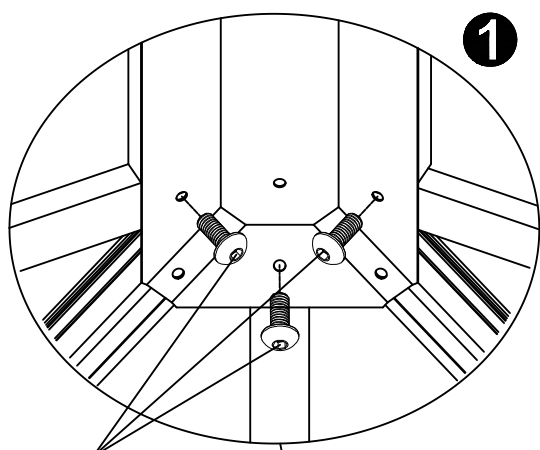
F8 2x



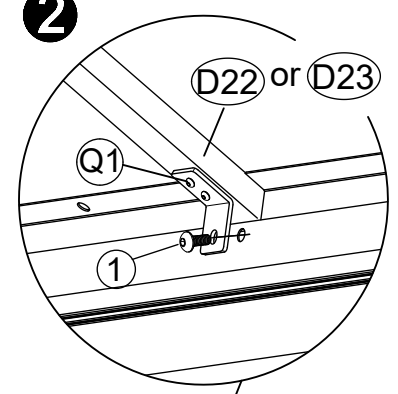
M6x15



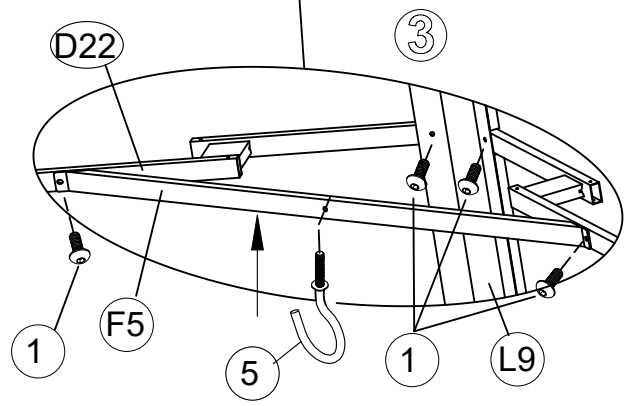
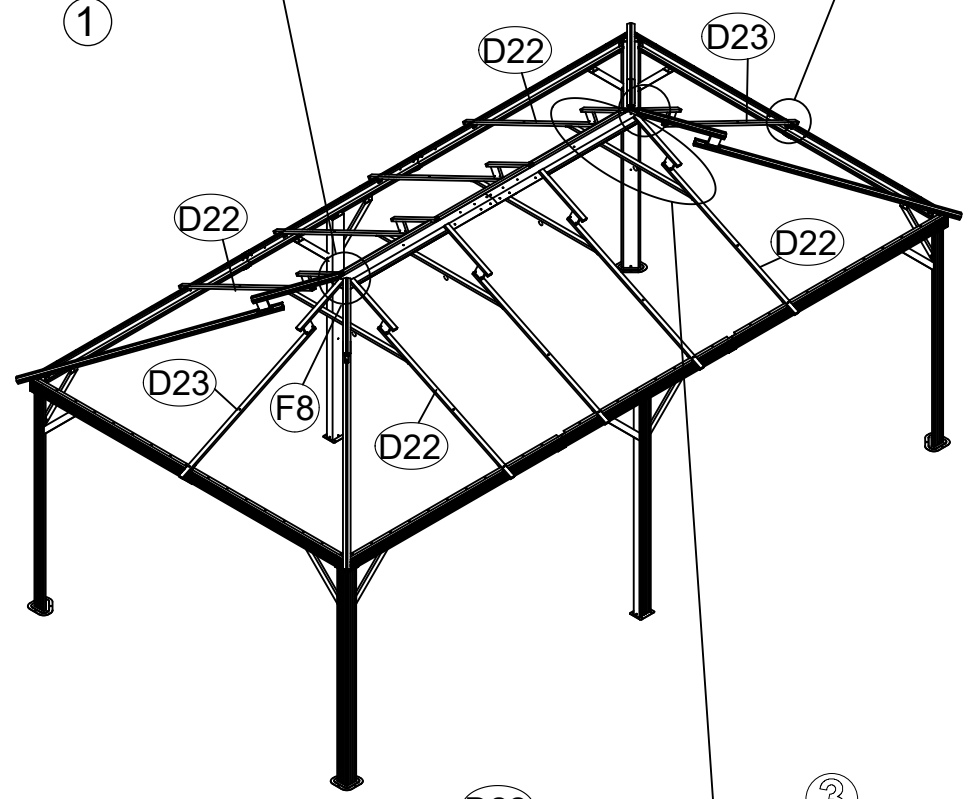
1 16x



2

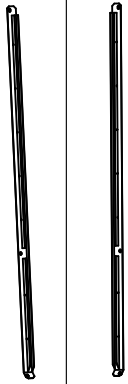


5 4x



<14>

G1 2x



G15 2x

G16 2x



G17 2x



N 4x

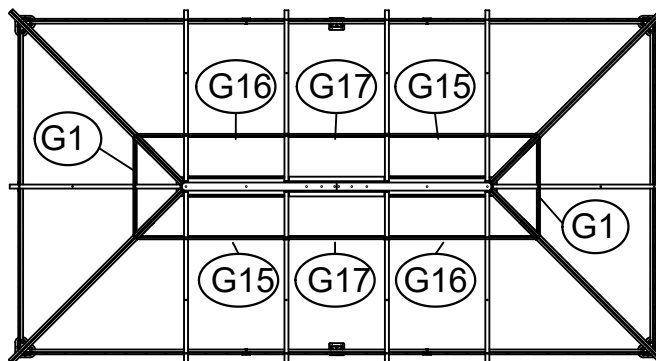
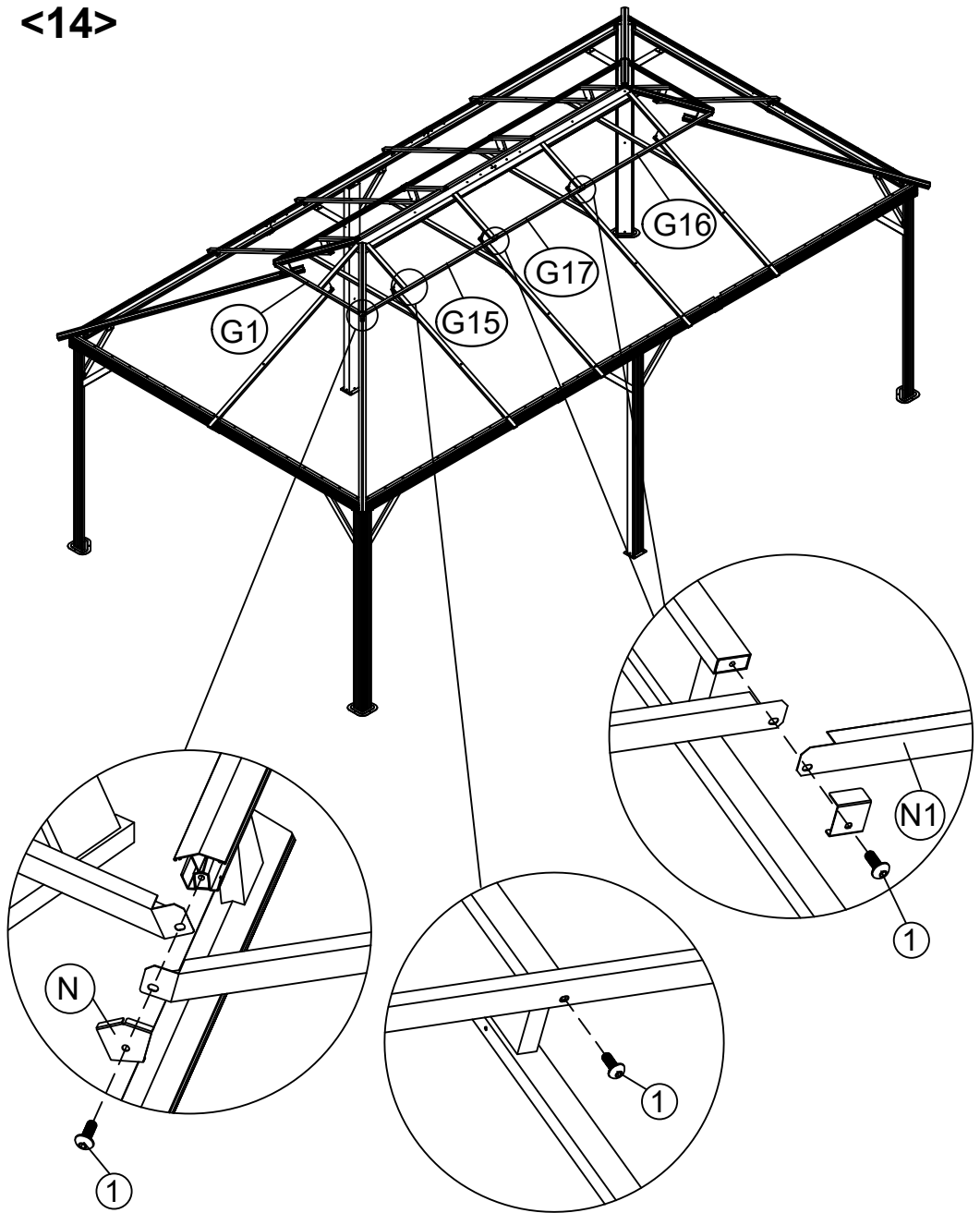


N1 4x



1 14x

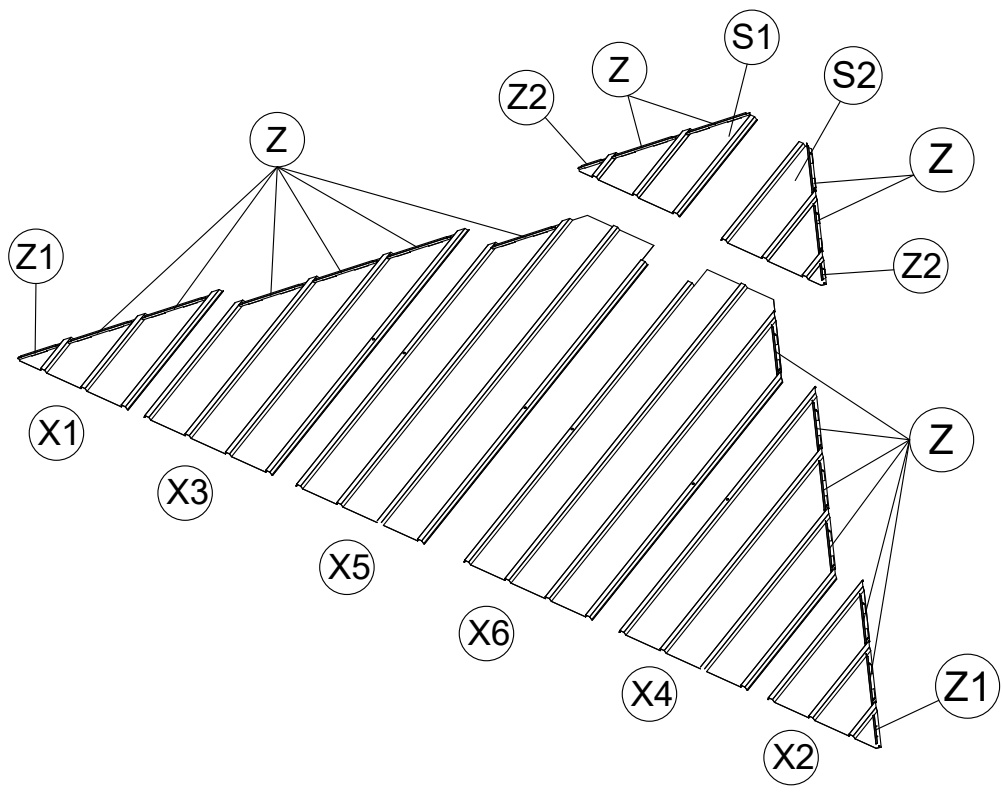
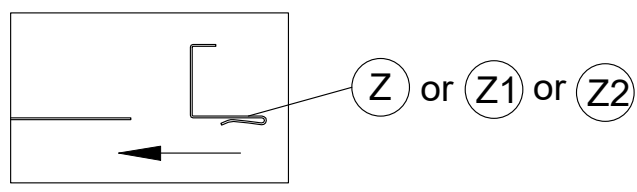
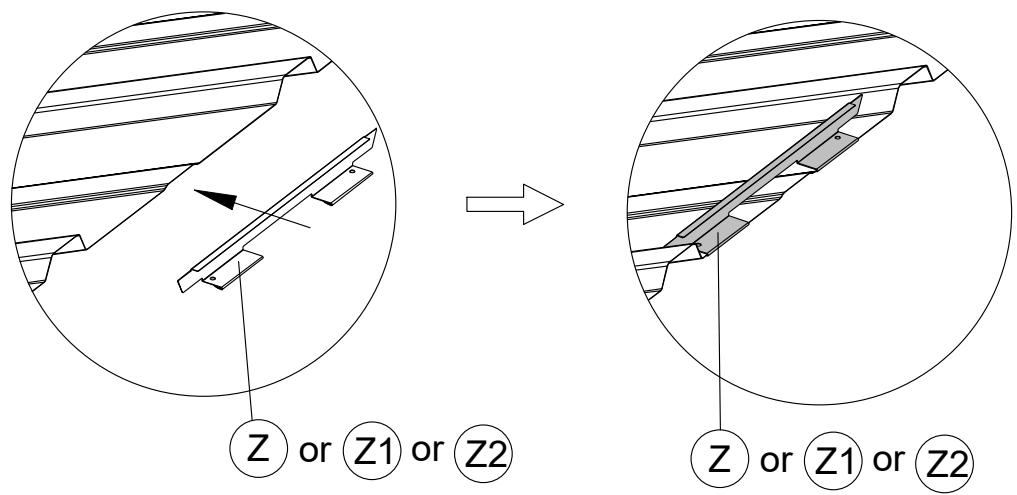
M6x15



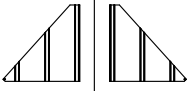
25

<15>

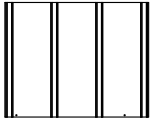
(S1) 2x	(S2) 2x
(X1) 2x	(X2) 2x
(X3) 2x	(X4) 2x
(X5) 2x	(X6) 2x
(Z) 32x	
(Z1) 4x	
(Z2) 4x	
26	



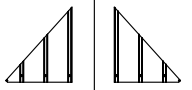
<16>



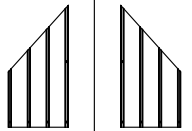
(S1) 2x (S2) 2x



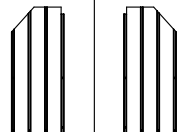
(S3) 12x



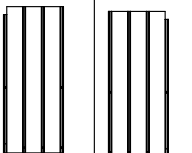
(X1) 2x (X2) 2x



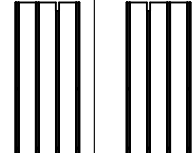
(X3) 2x (X4) 2x



(X5) 2x (X6) 2x



(X7) 2x (X8) 2x

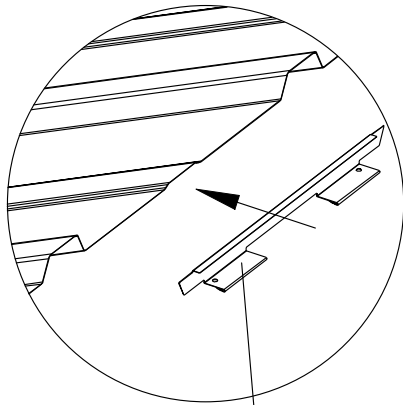


(X29) 2x (X30) 2x

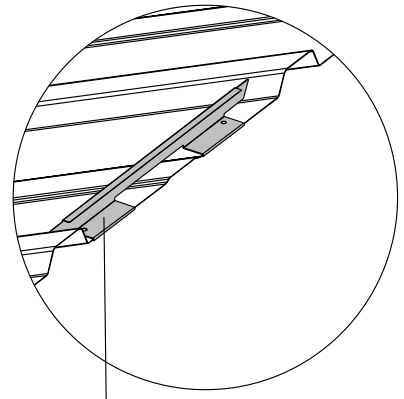
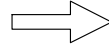


(X31) 2x

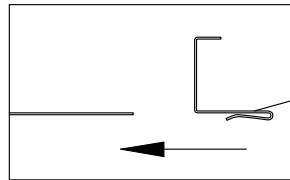
27



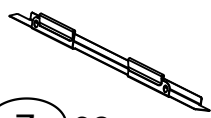
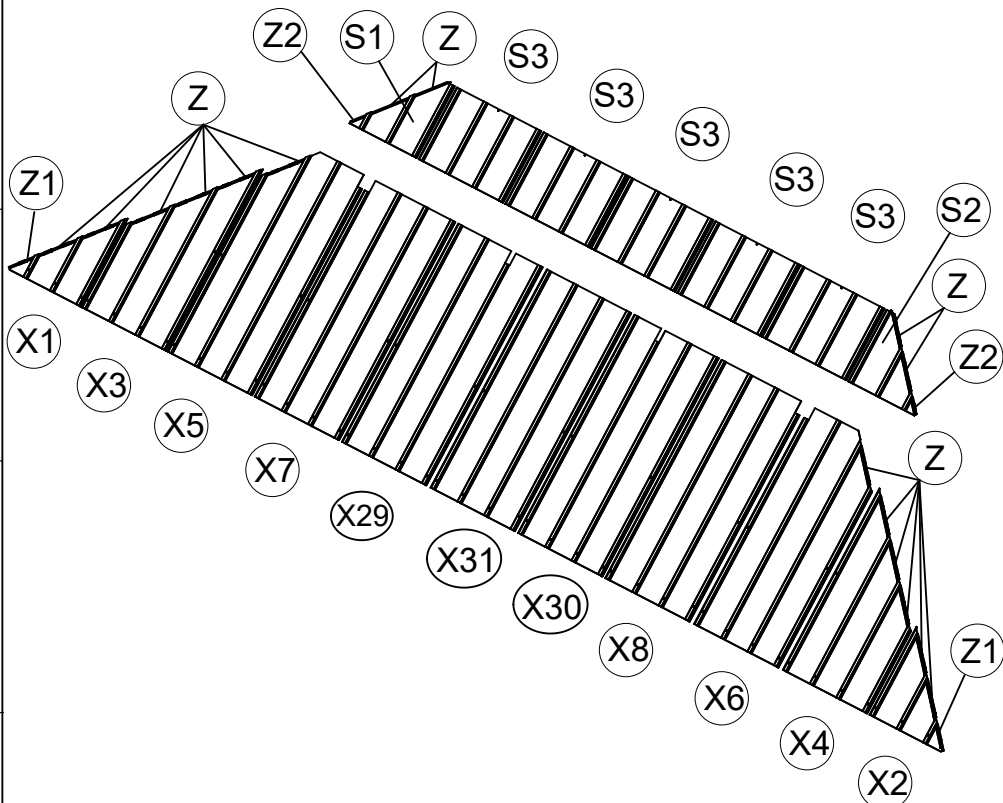
(Z) or (Z1) or (Z2)



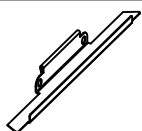
(Z) or (Z1) or (Z2)



(Z) or (Z1) or (Z2)



(Z) 32x

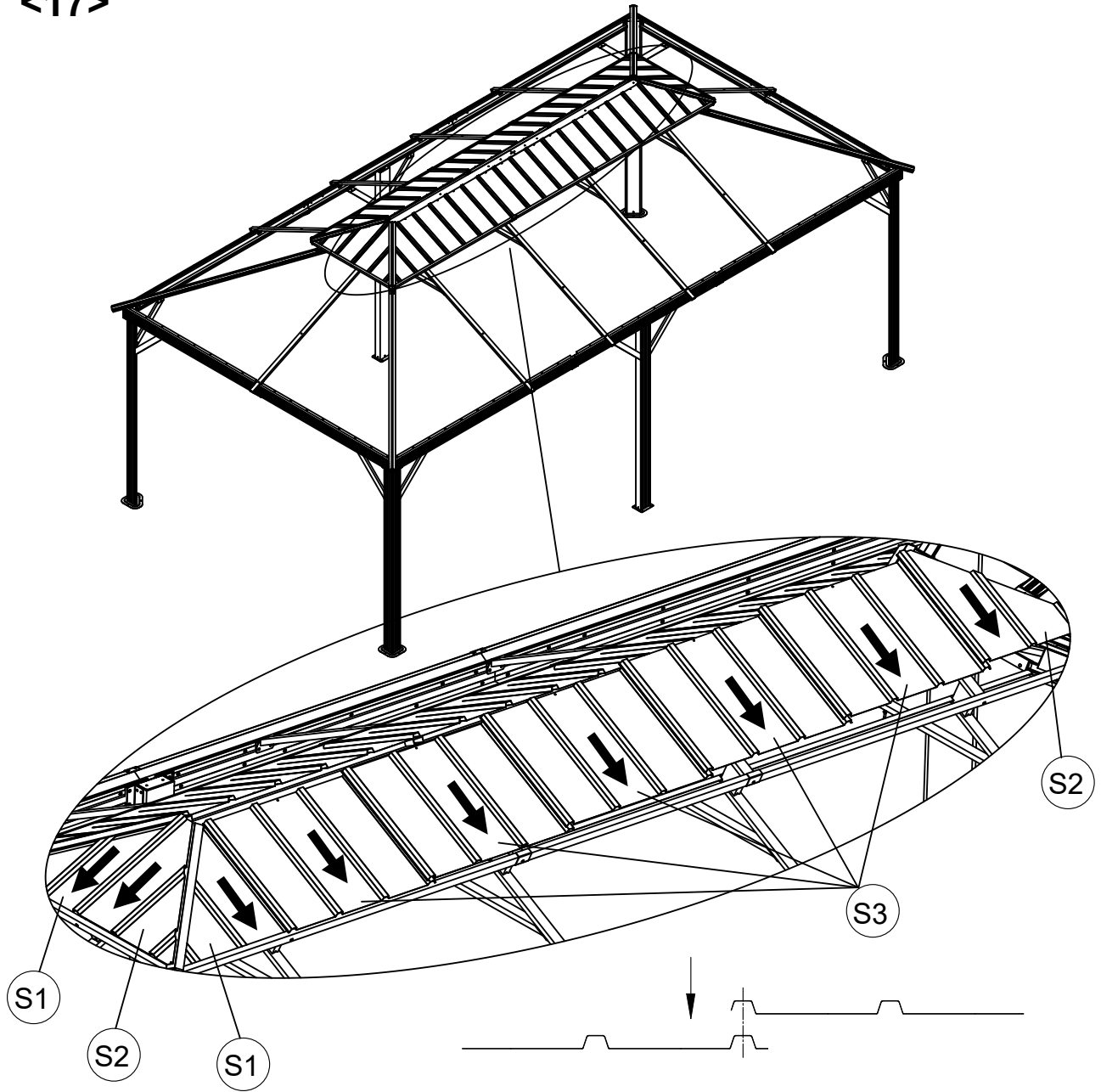


(Z1) 4x

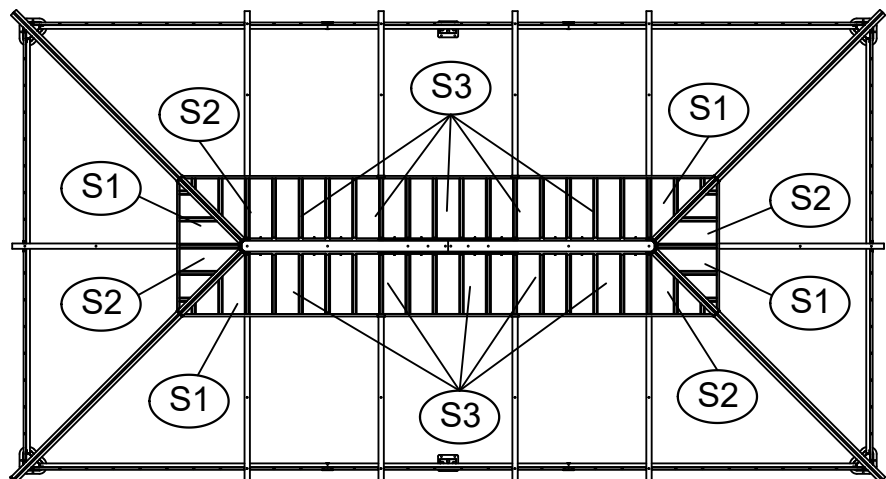


(Z2) 4x

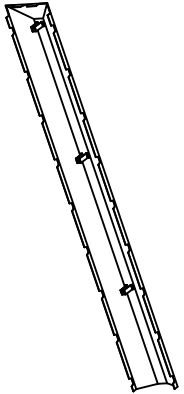
<17>



When installing the Roof plates (S2) onto short side, pls detach the right end of Roof Rib(G1) first. And then install the right end of Roof Rib (G1) again after S2 is installed.



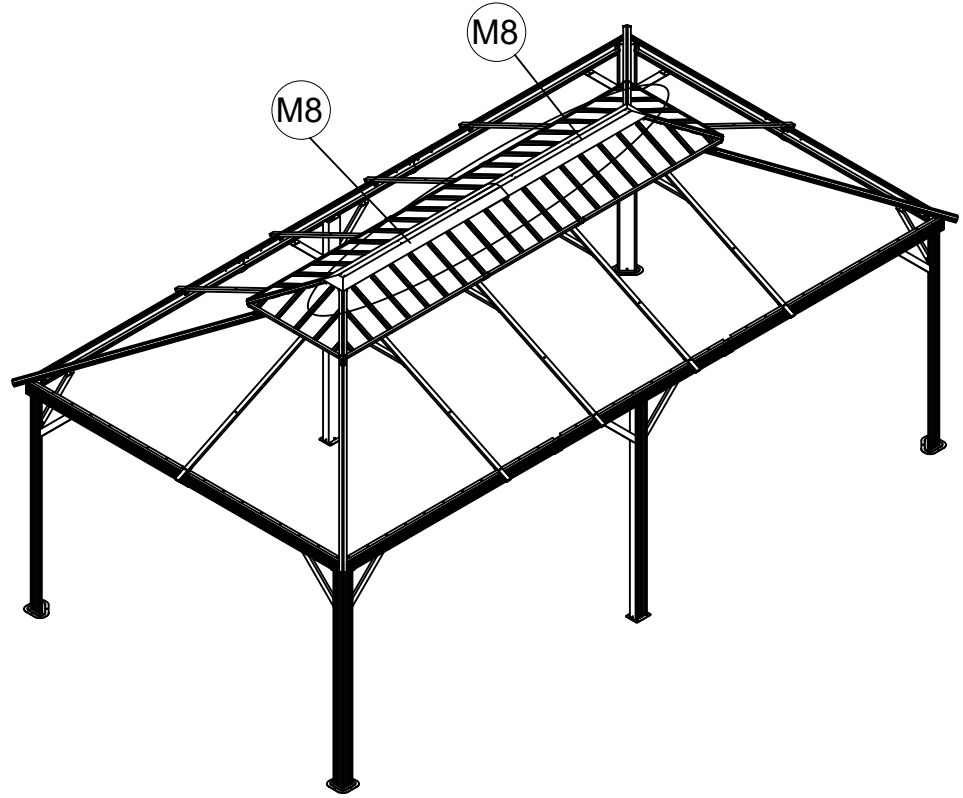
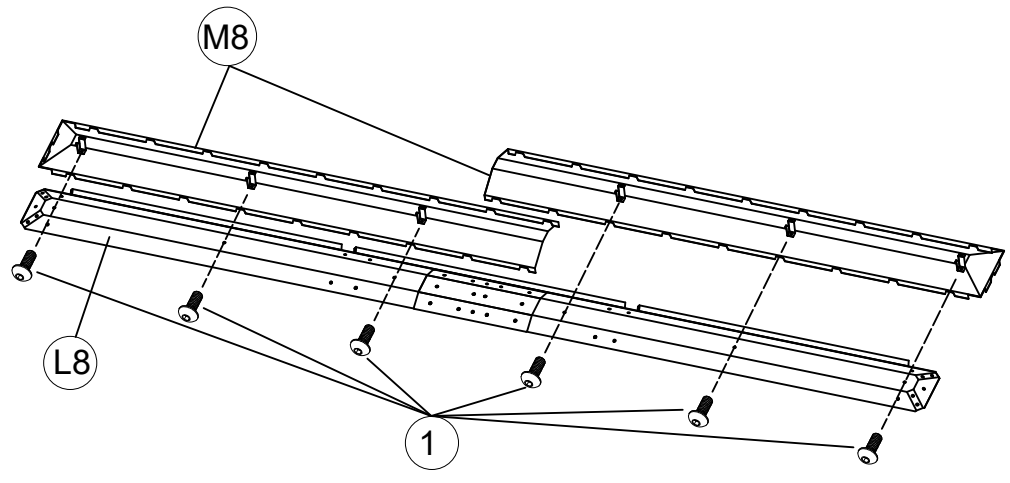
<18>



M8 2x



M6x15
1 6x



<19>



F1 4x



F2 4x



F20 4x

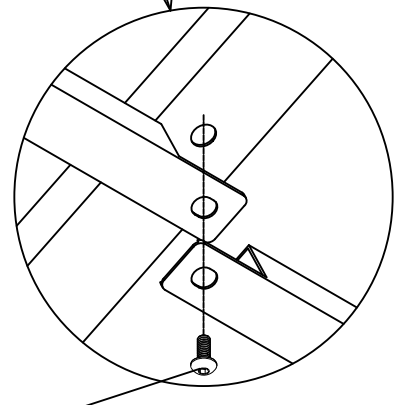
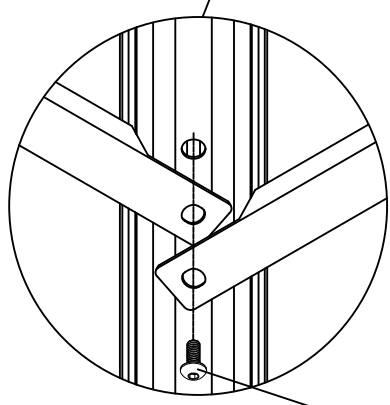
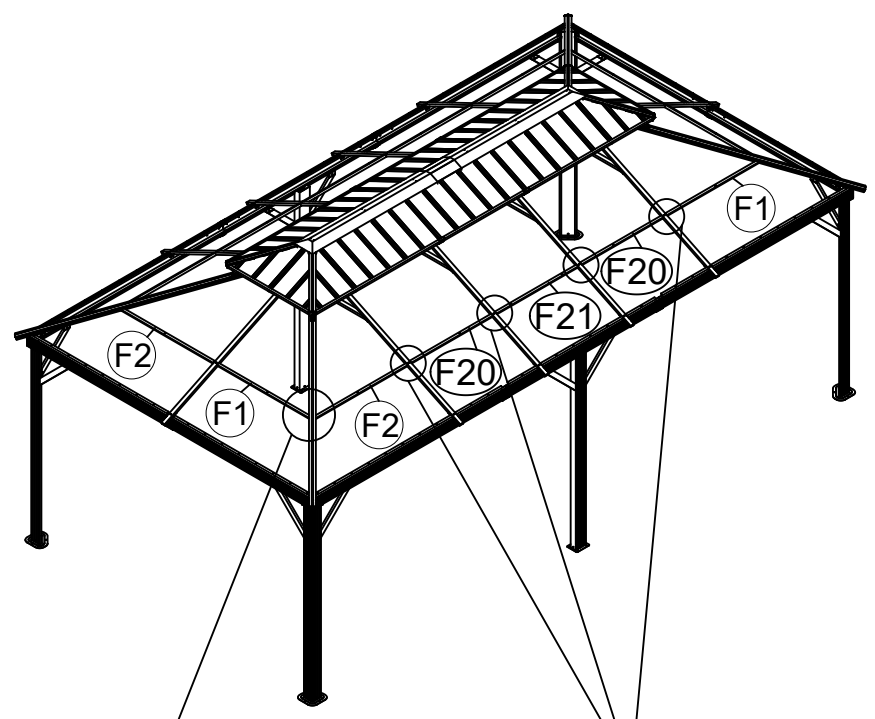


F21 2x

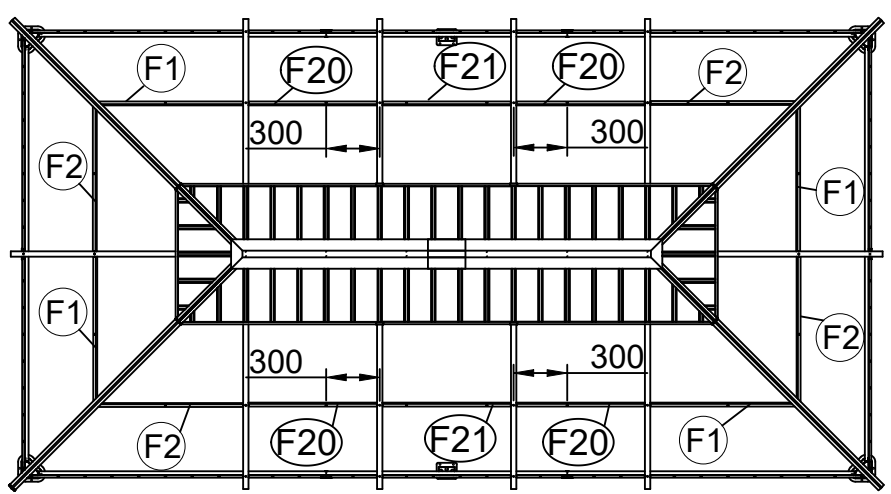


M6x15

1 14x

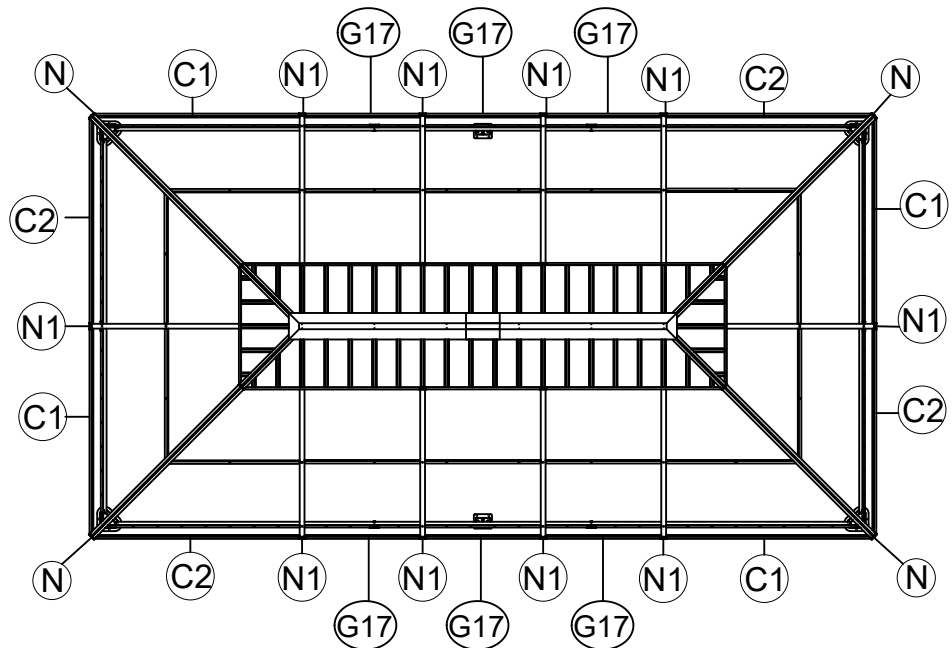
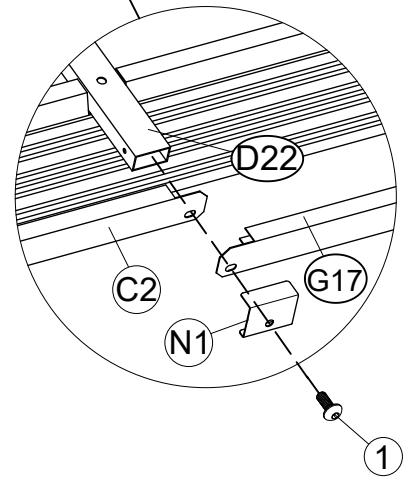
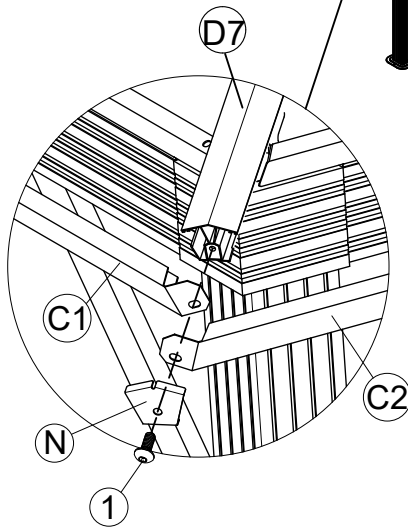
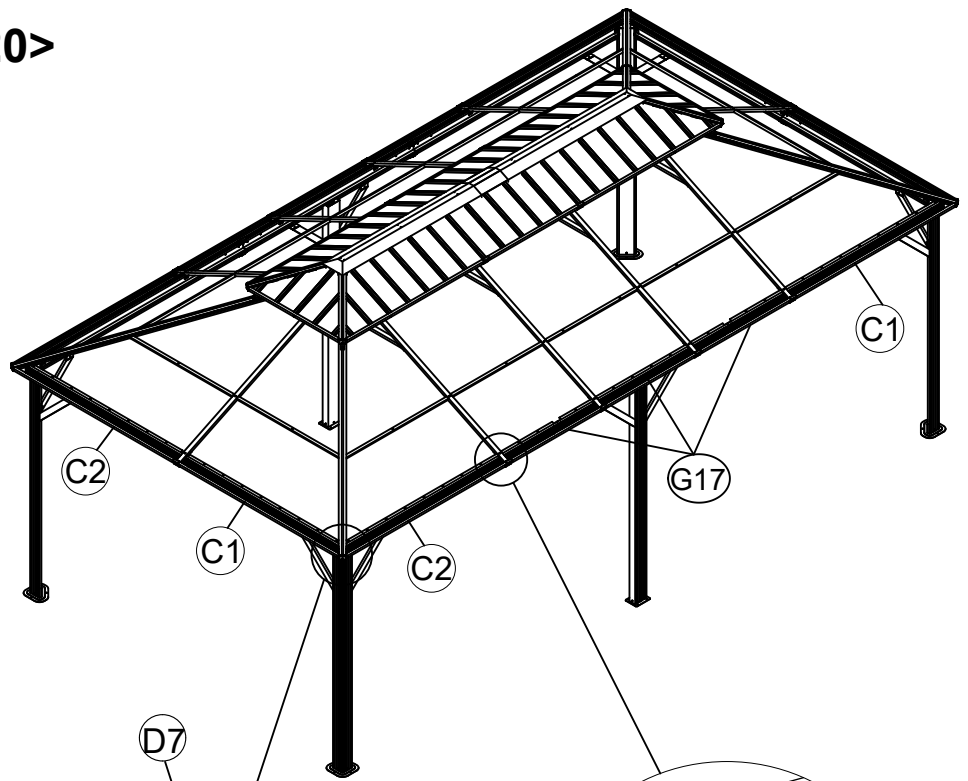
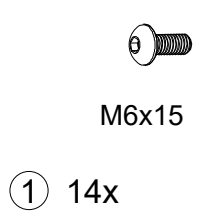
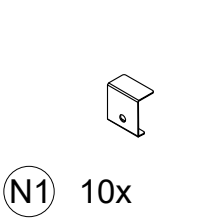
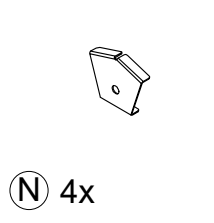
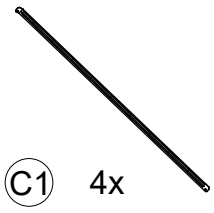


1

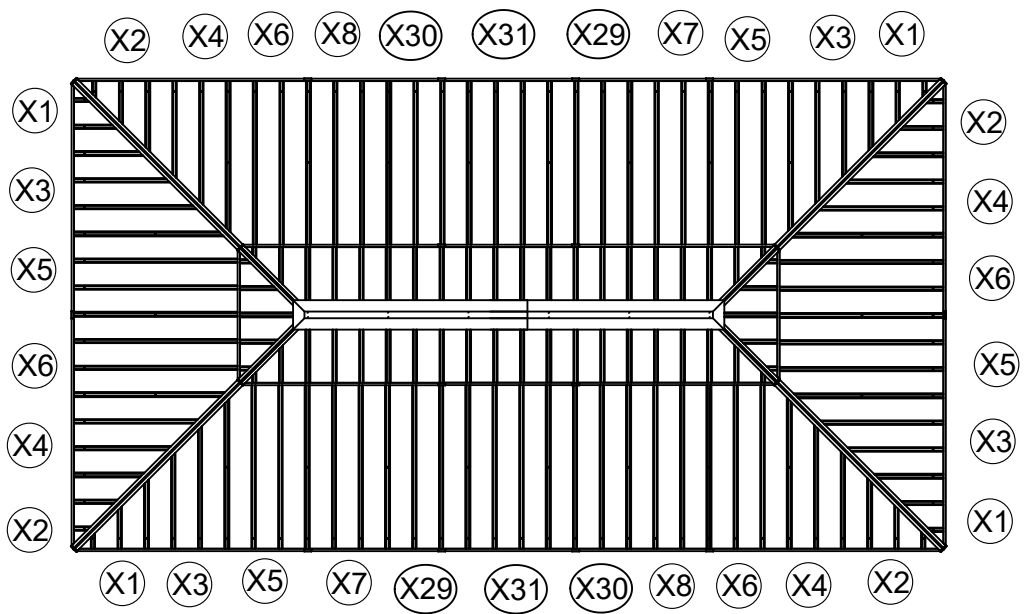
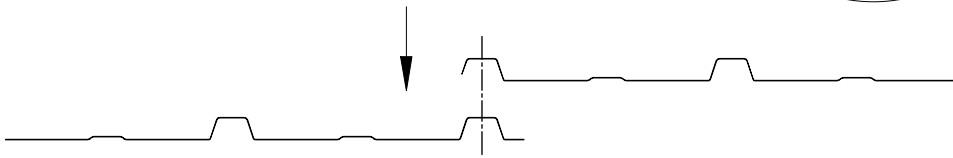
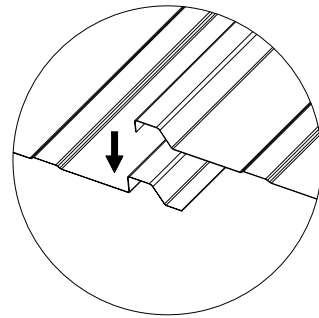
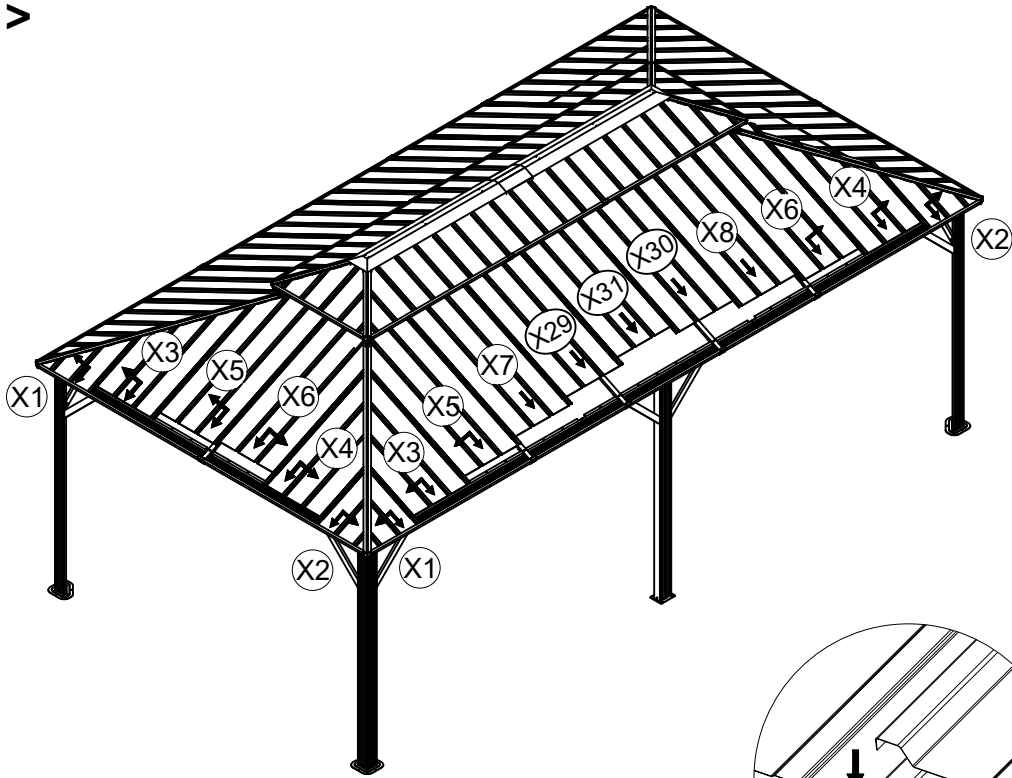


30

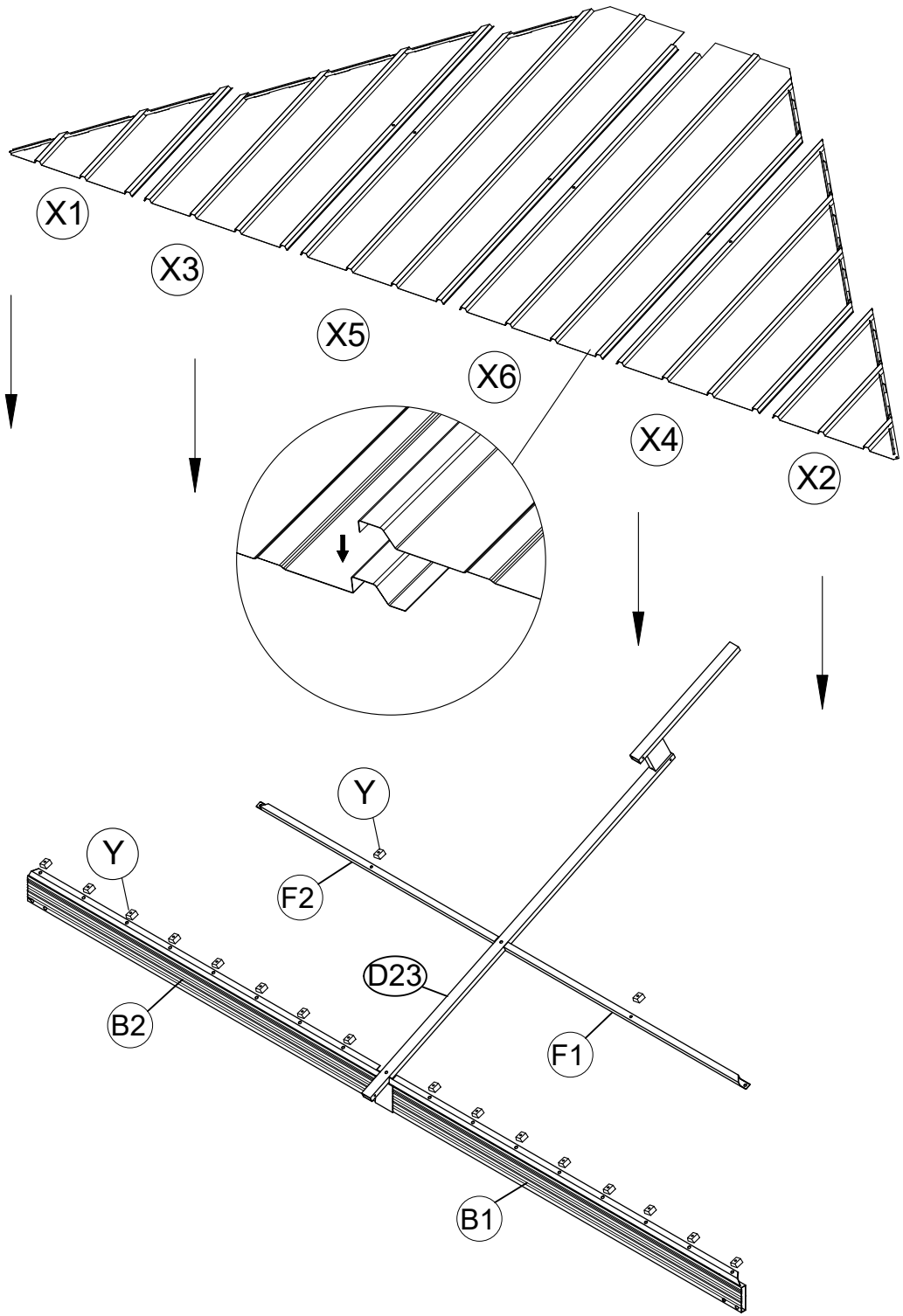
<20>



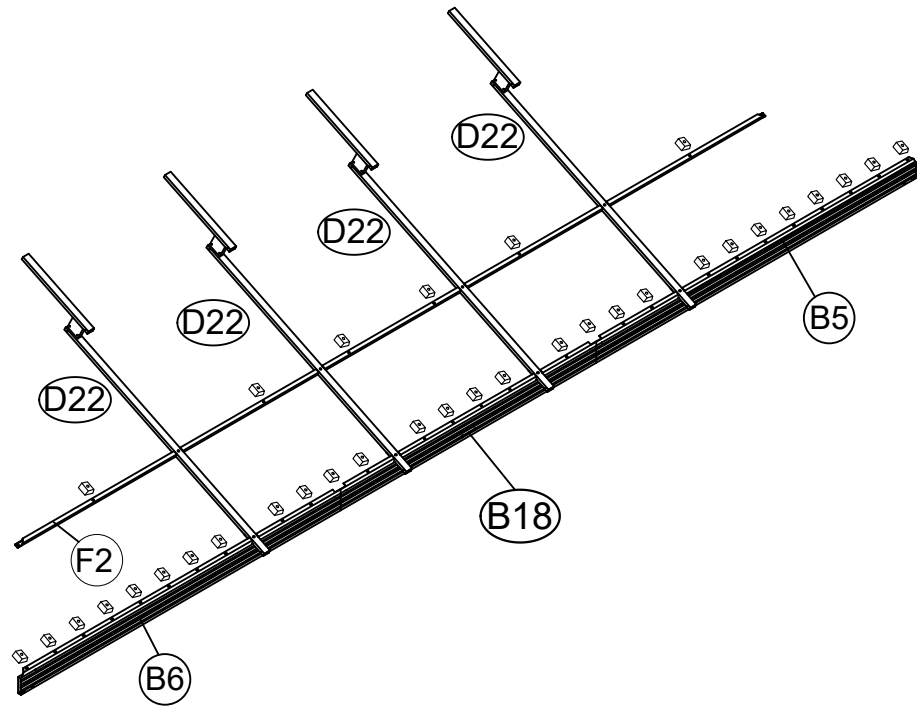
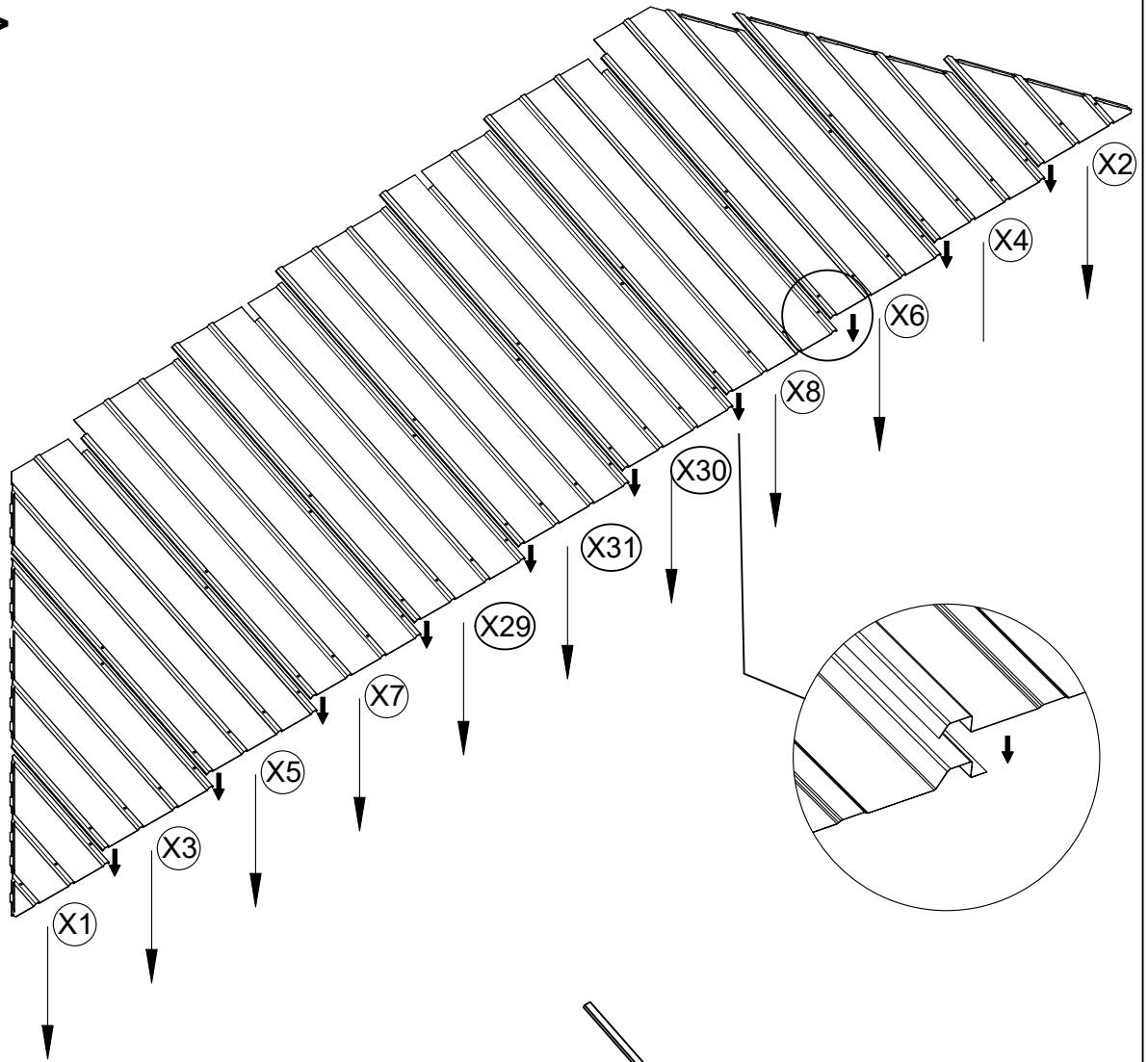
<21>



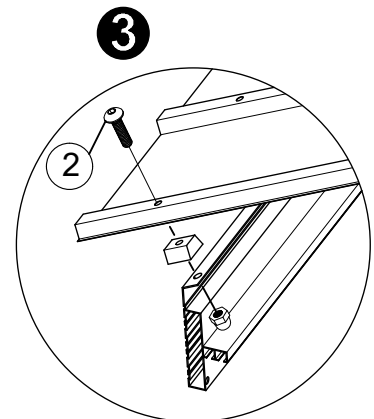
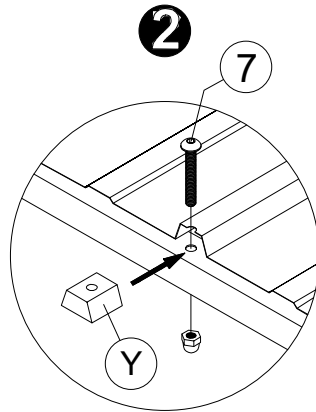
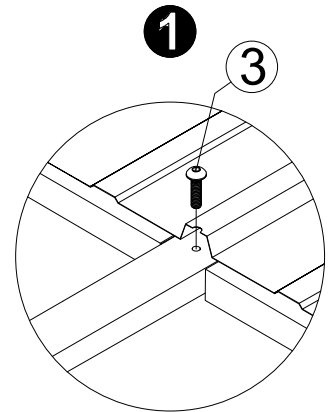
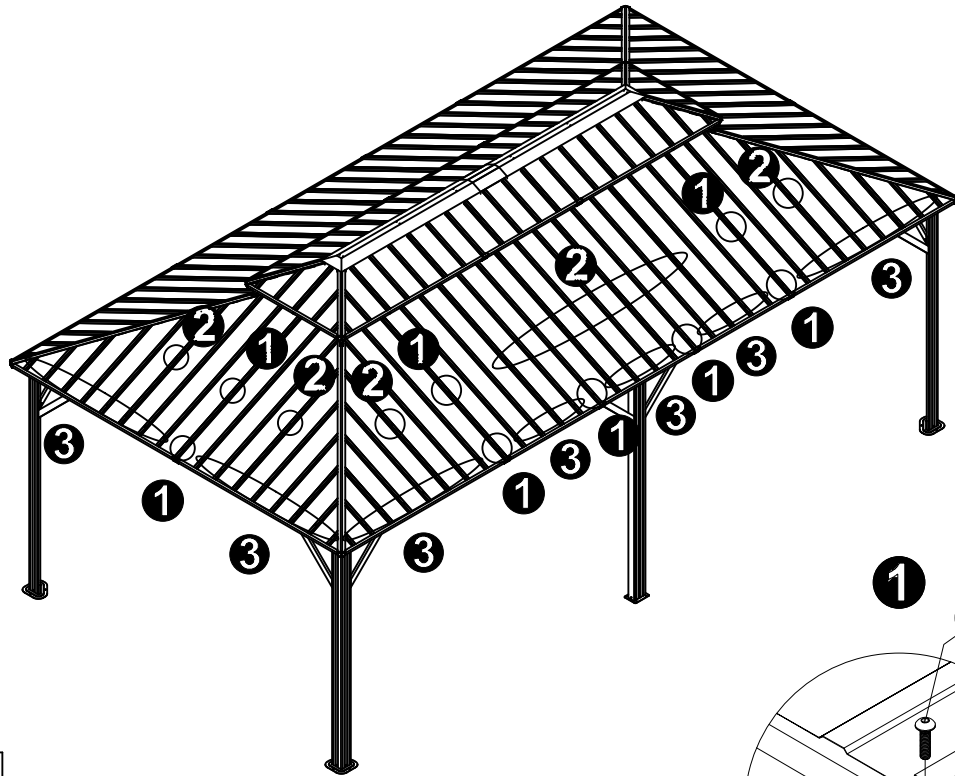
<22>



<23>



<24>



Y 104x



M6x25

3 16x



M6x23

2 88x



M6x45

7 16x

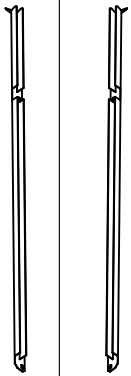
35

Note:

When installing the roof top plates, if the roof plates are slightly uneven, pls press the screws from the top of the plates until the bottom screw thread is exposed by 3 to 4mm, and then screw on the nut.

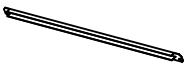


(I1B) 2x



(I15) 2x

(I16) 2x



(I17) 2x



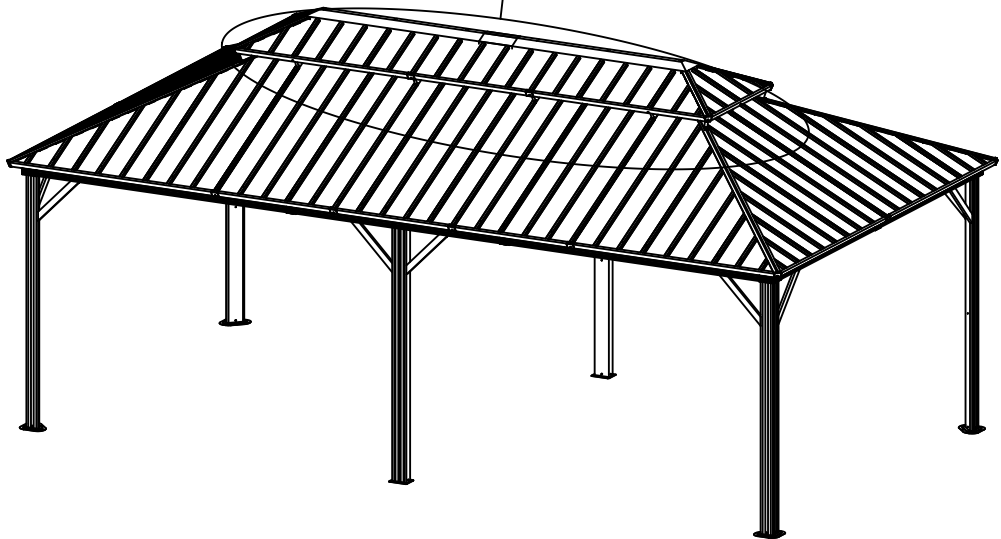
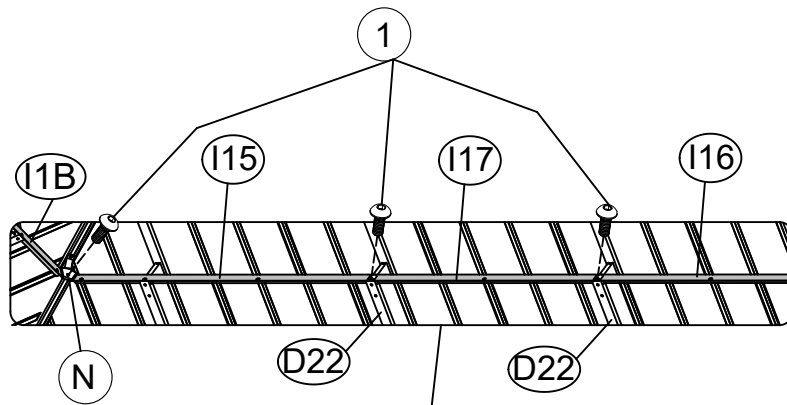
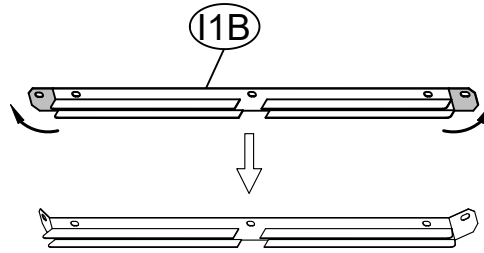
(N) 4x



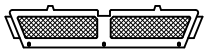
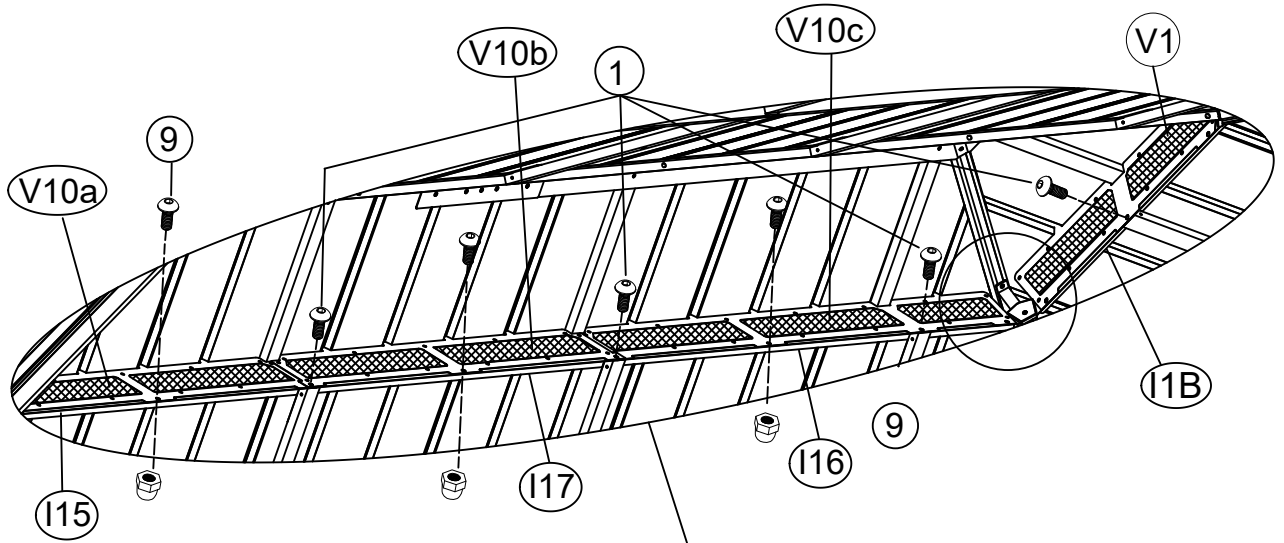
(1) 8x

M6x15

<25>



<26>



V1 2x



V10a 2x



V10b 2x



V10c 2x



M6x10

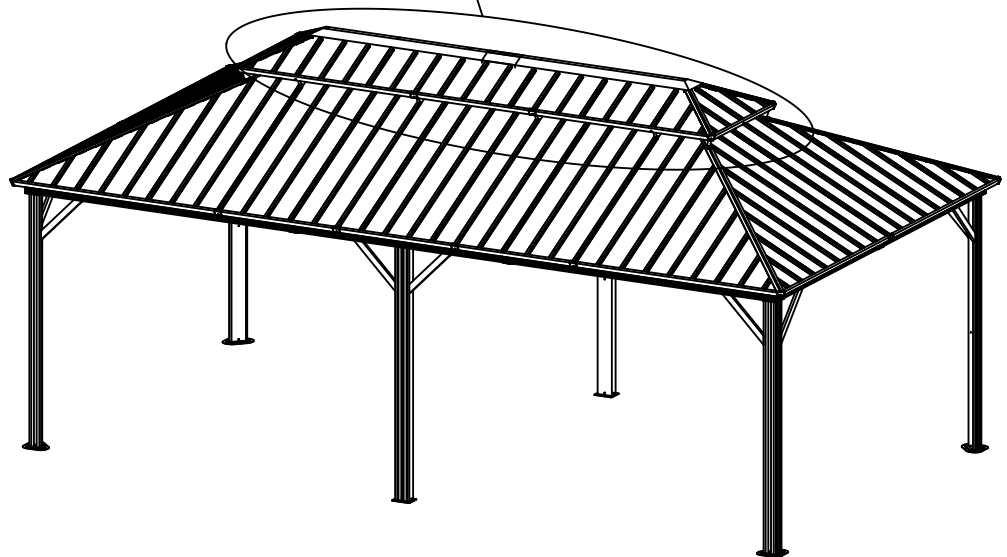
9 14x



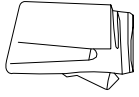
M6x15

1 6x

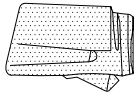
37



<27>



T 4x + 2x



T1 4x + 2x

