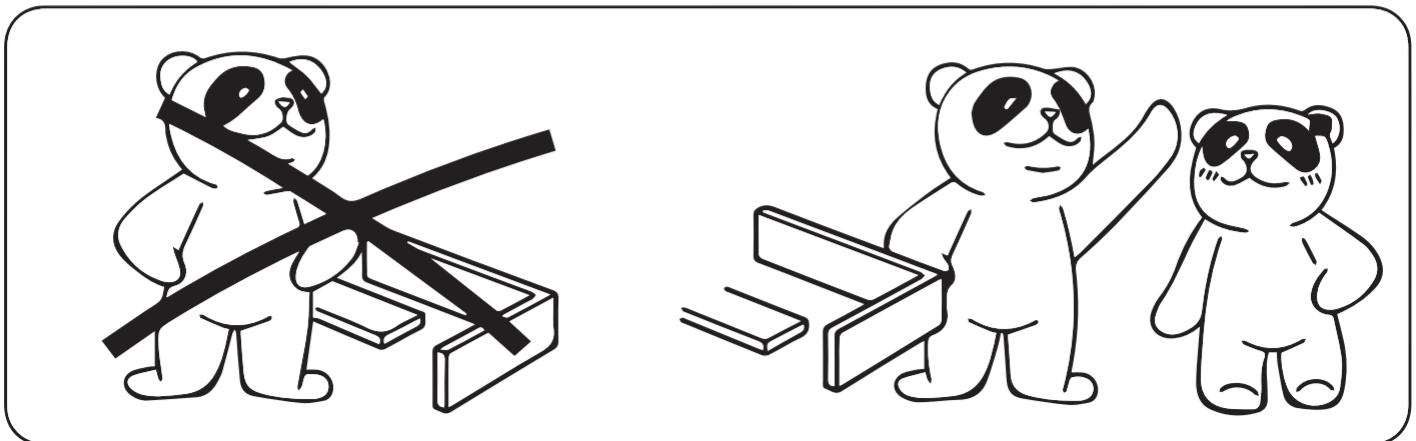
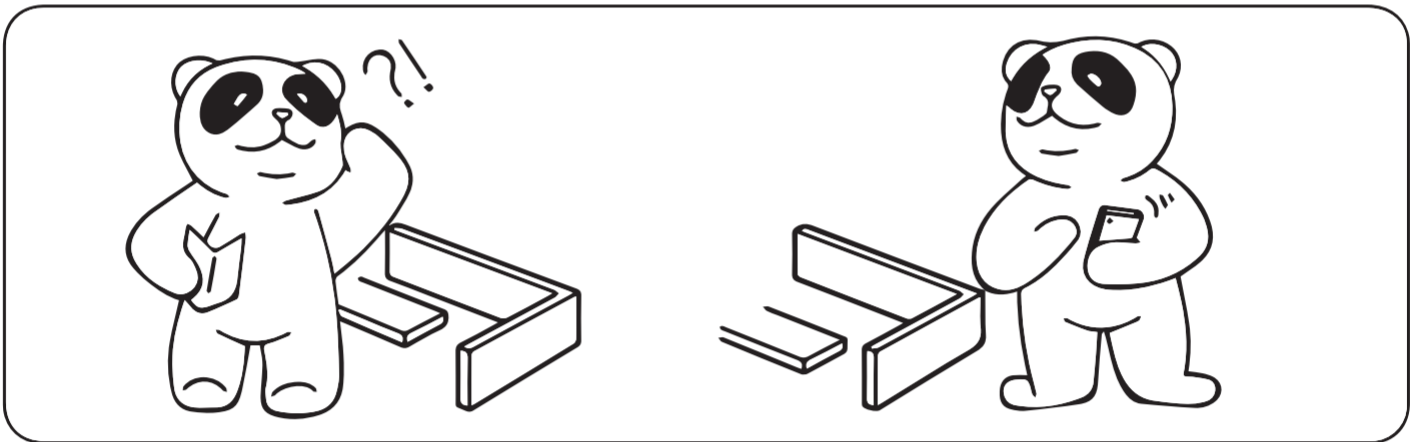
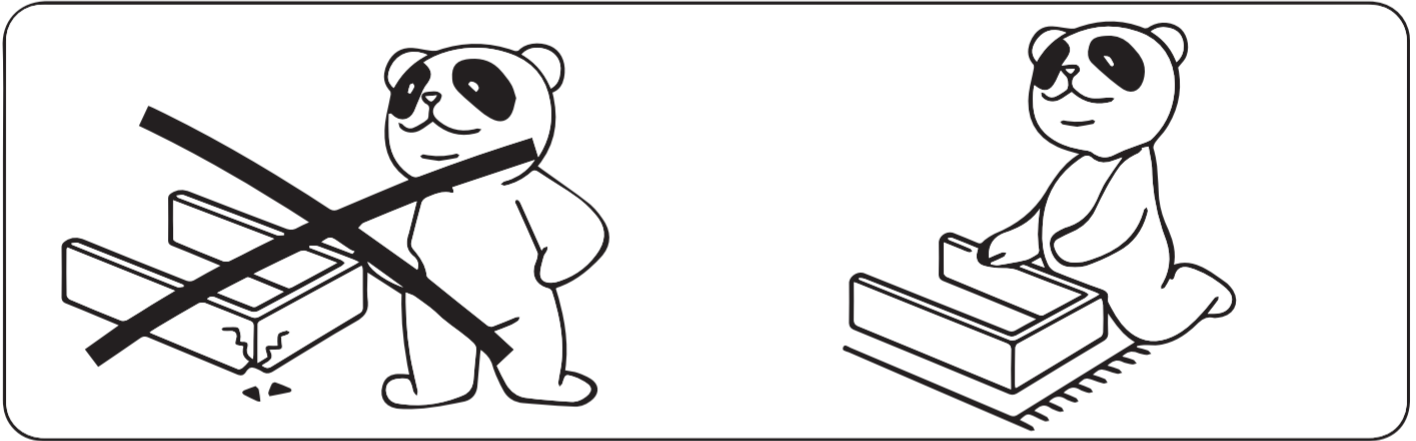
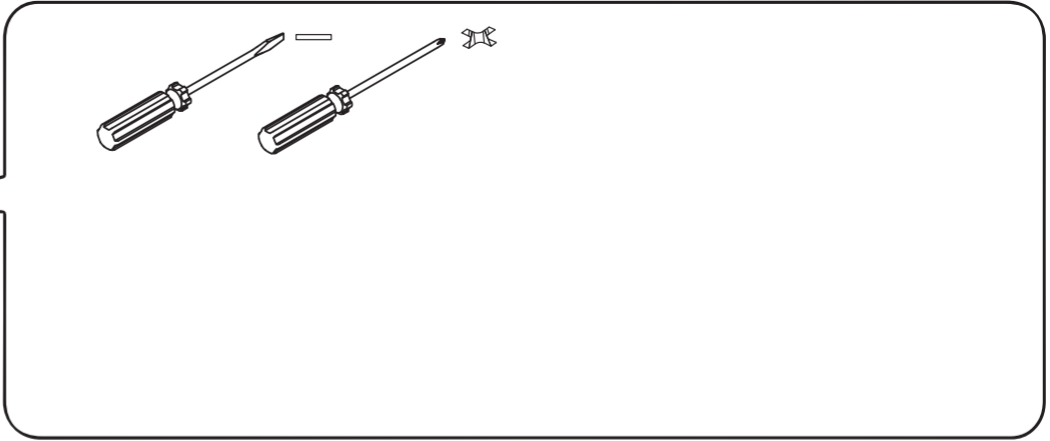
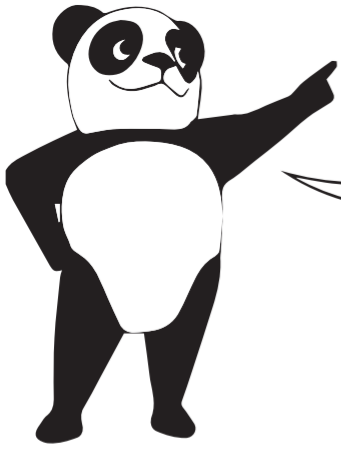
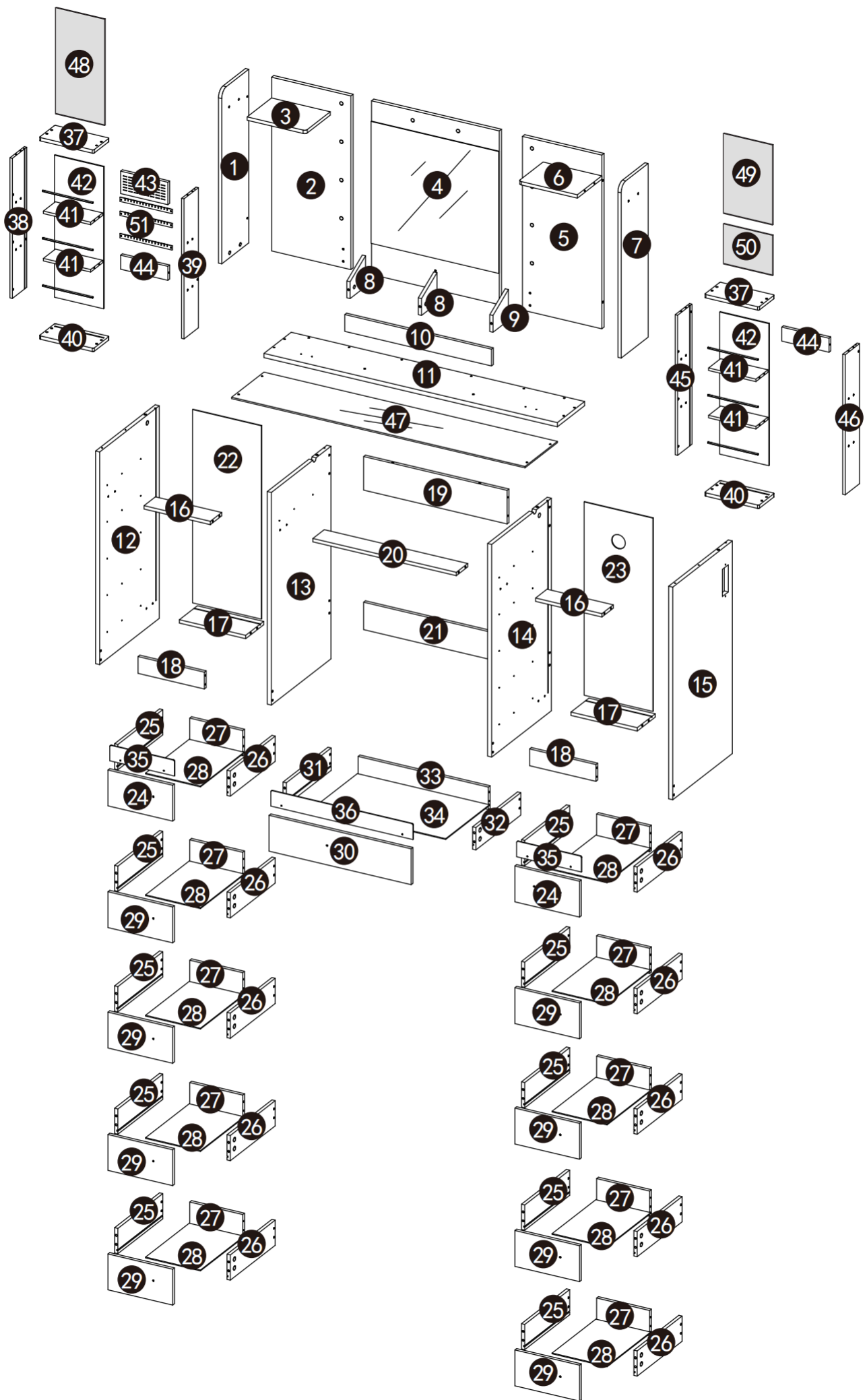




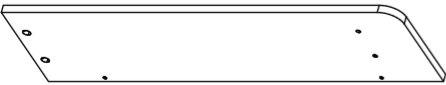
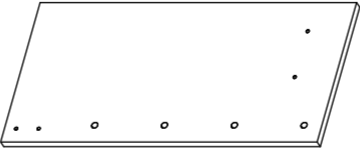
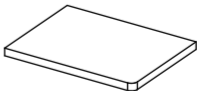
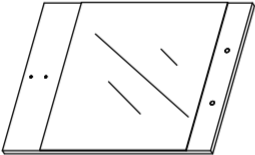

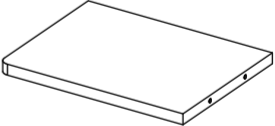

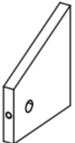
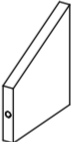
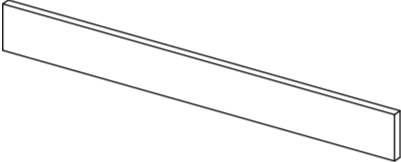
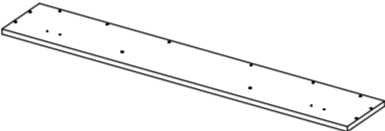




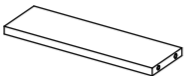

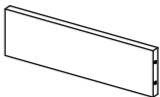
FBDT34

Instruction Manual



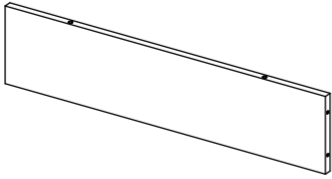


PARTS LIST

<p>1</p>  <p>640x180x12mm x1</p>	<p>2</p>  <p>276x639x12mm x1</p>	<p>3</p>  <p>216x166x12mm x1</p>
<p>4</p>  <p>470x639x12mm x1</p>	<p>5</p>  <p>276x639x12mm x1</p>	<p>6</p>  <p>216x166x12mm x1</p>
<p>7</p>  <p>640x180x12mm x1</p>	<p>8</p>  <p>95x84x15mm x2</p>	<p>9</p>  <p>95x84x15mm x1</p>
<p>10</p>  <p>550x50x12mm x1</p>	<p>11</p>  <p>1050x182x12mm x1</p>	<p>12</p>  <p>745x398x12mm x1</p>
<p>13</p>  <p>745x398x12mm x1</p>	<p>14</p>  <p>745x398x12mm x1</p>	<p>15</p>  <p>745x398x12mm x1</p>
<p>16</p>  <p>225x80x12mm x2</p>	<p>17</p>  <p>225x90x12mm x2</p>	<p>18</p>  <p>225x60x12mm x2</p>

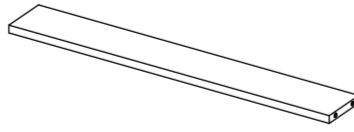
PARTS LIST

19



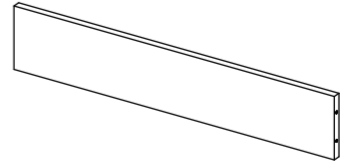
548x120x12mm x1

20



548x80x12mm x1

21



548x100x12mm x1

22



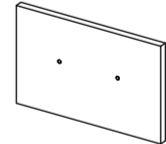
232x692x4mm x1

23



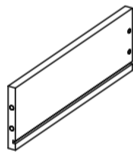
232x692x4mm x1

24



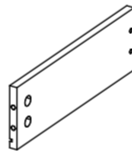
221x128x12mm x2

25



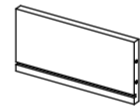
300x90x12mm x10

26



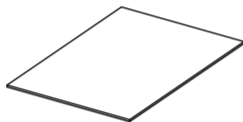
300x90x12mm x10

27



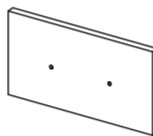
175x90x12mm x10

28



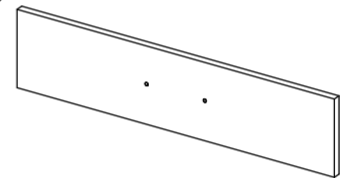
296x183x4mm x10

29



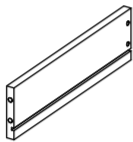
221x128x12mm x8

30



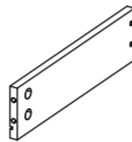
544x128x12mm x1

31



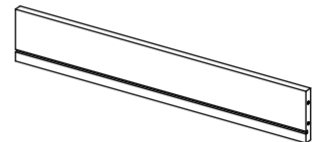
300x90x12mm x1

32



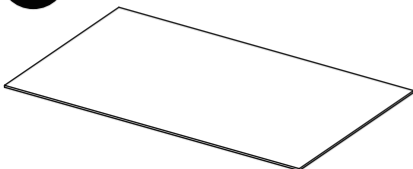
300x90x12mm x1

33



498x90x12mm x1

34



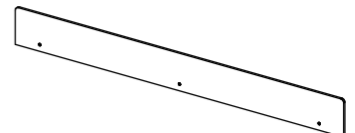
506x296x4mm x1

35



221x58x3mm x2

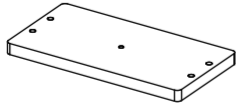
36



544x58x3mm x1

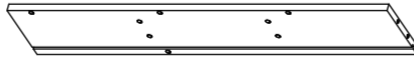
PARTS LIST

37



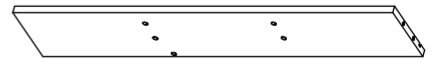
200x120x12mm x2

38



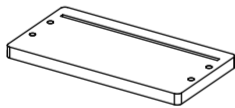
500x100x9mm x1

39



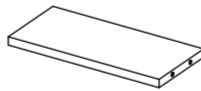
500x100x9mm x1

40



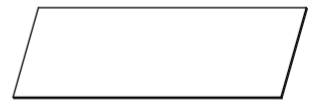
200x120x12mm x2

41



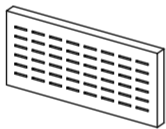
174x82x9mm x4

42



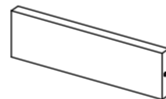
181x507x4mm x2

43



x1

44



174x50x12mm x2

45



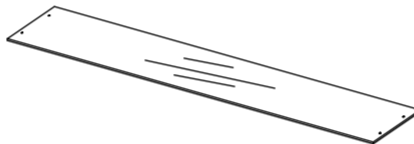
500x100x9mm x1

46



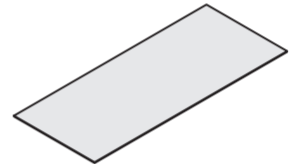
500x100x9mm x1

47



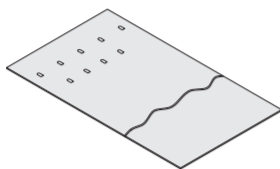
x1

48



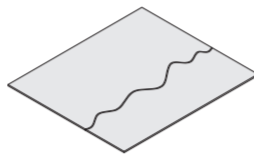
x1

49



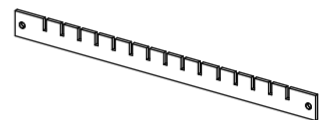
x1

50





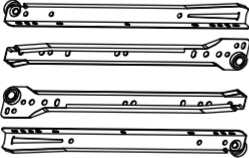



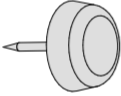
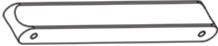






x1

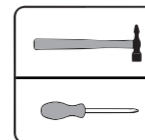
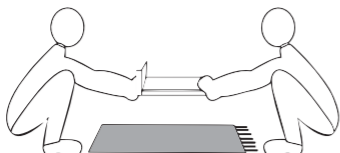
51



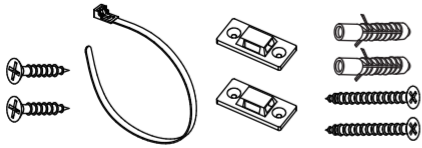

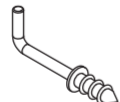


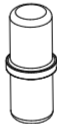
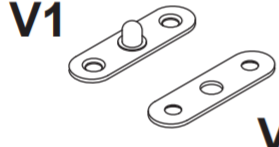


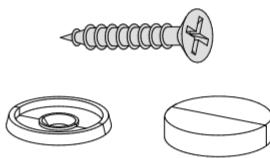
x3

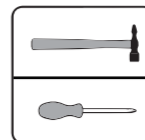
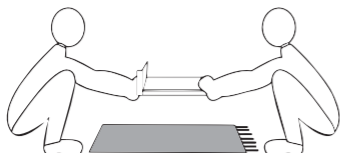
HARDWARE LIST

<p>A  6x40 x87</p>	<p>B  15x11 x87</p>
<p>C=CL+DL+CR+DR</p>	
<p>C  12inches x11</p>	<p>D  x1</p>
<p>E  M3.5x12 x127</p>	<p>F  M5x40/#3 x76/x1</p>
<p>G  x8</p>	<p>H  96mm x11</p>
<p>J  x8</p>	<p>K  x1</p>
<p>L  21mm x20</p>	<p>M  M4x14 x22</p>
<p>N  M3x14 x15</p>	<p>O  x6</p>



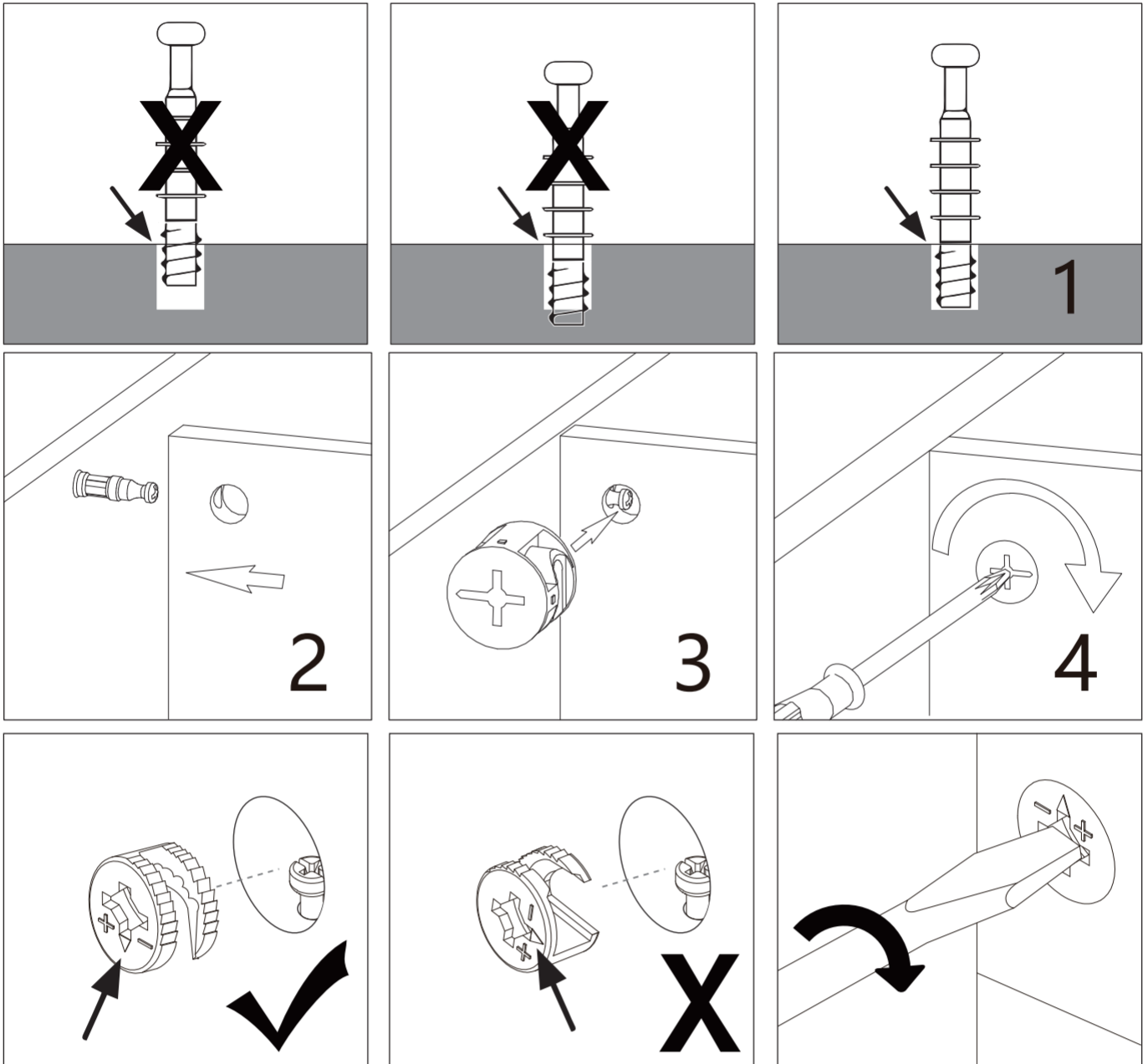
HARDWARE LIST

<p>P  x1</p>	<p>Q  M3.5x25 x36</p>
<p>R  x18</p>	<p>S  x3</p>
<p>T  x1</p>	<p>U  x2</p>
<p>V  x2</p>	<p>W  x6</p>
<p>X  M3x12 x14</p>	<p>Y  x4</p>

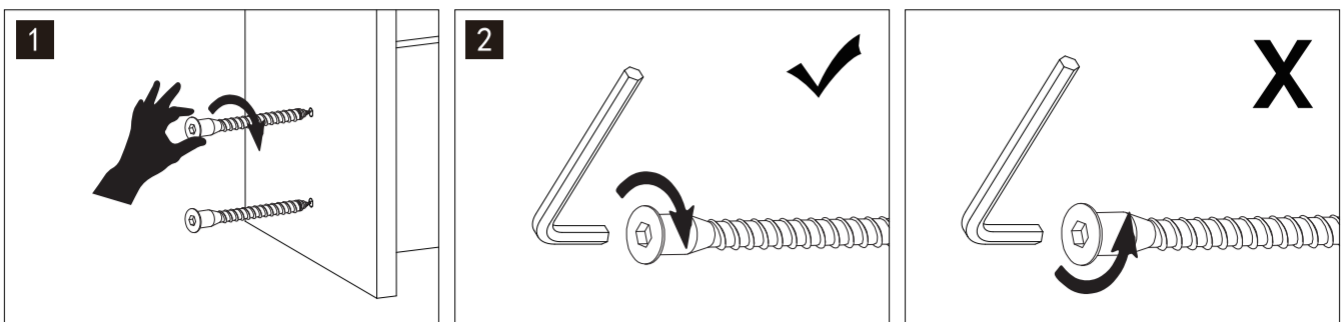


Hardware installation indication

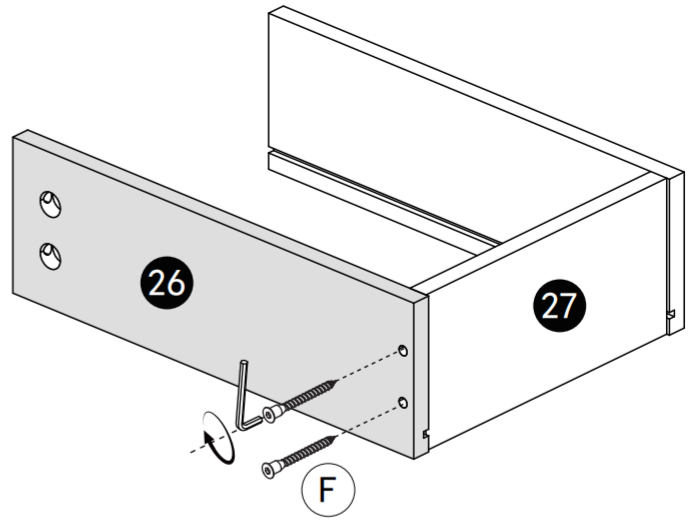
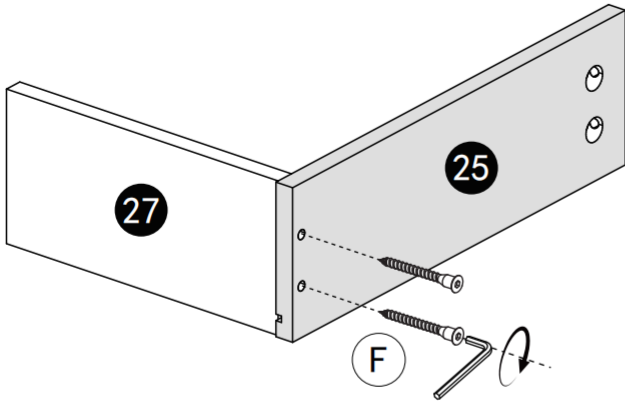
Installation method of three in one rod and buckle



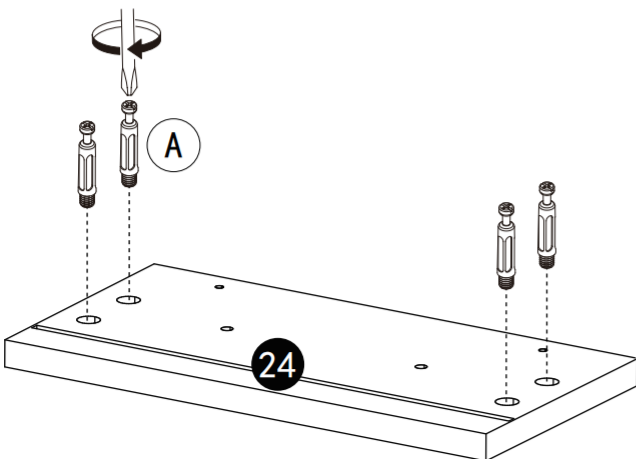
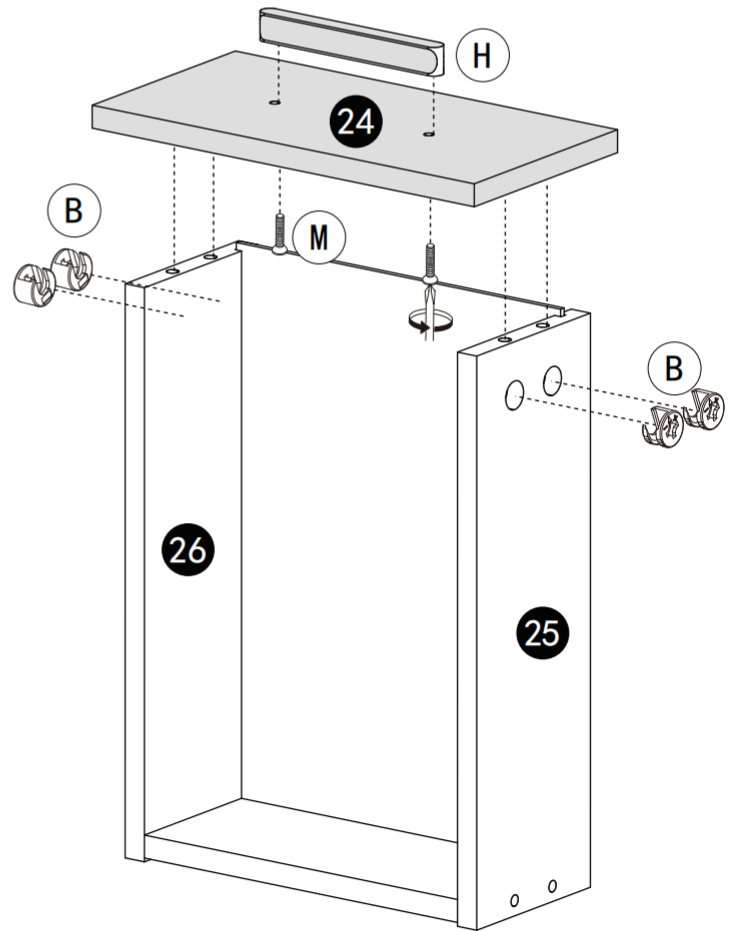
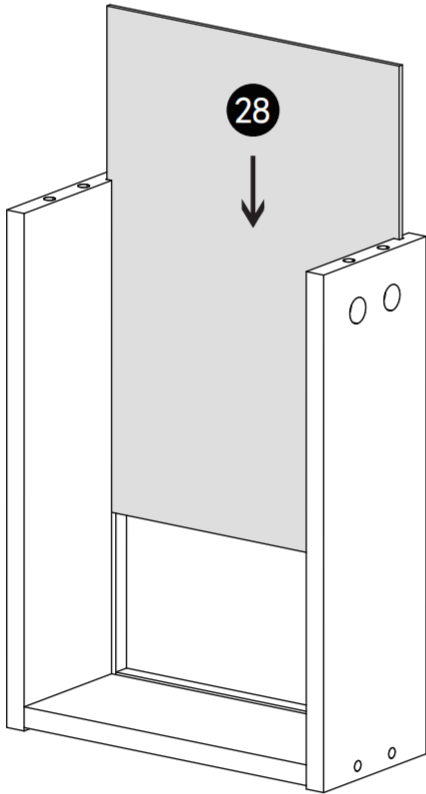
Screw installation method








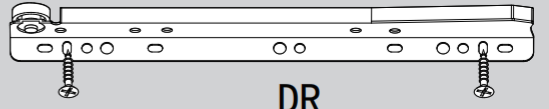
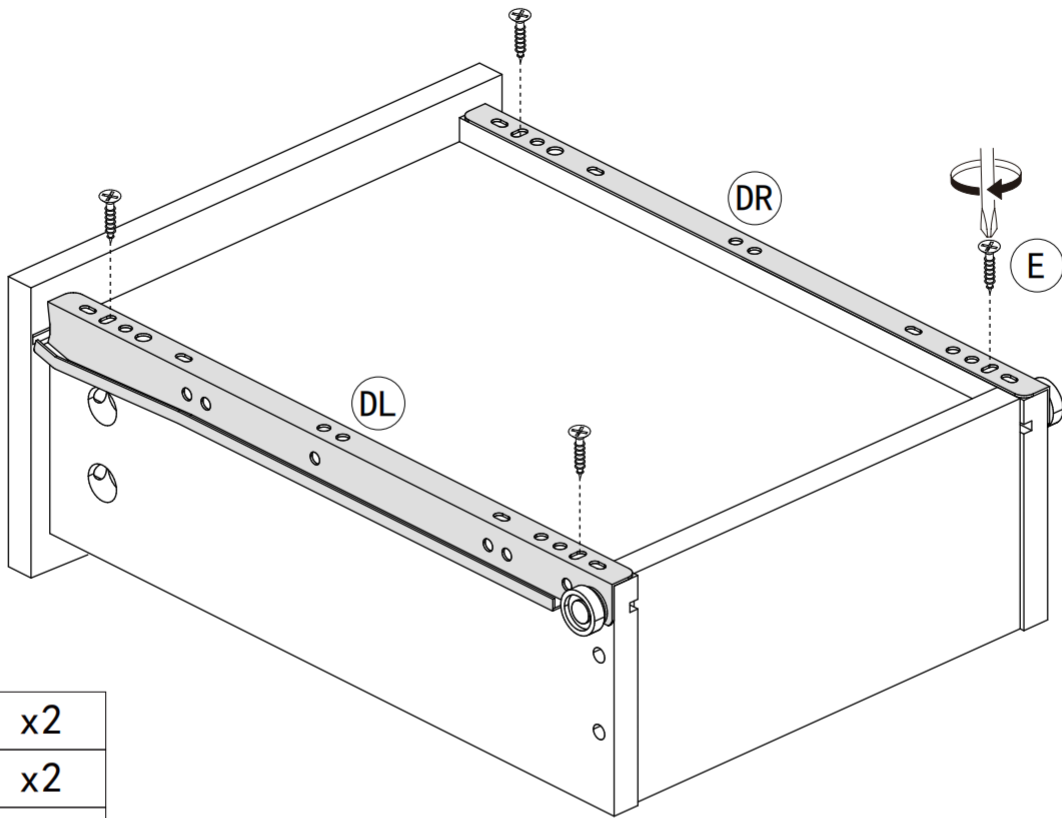
1






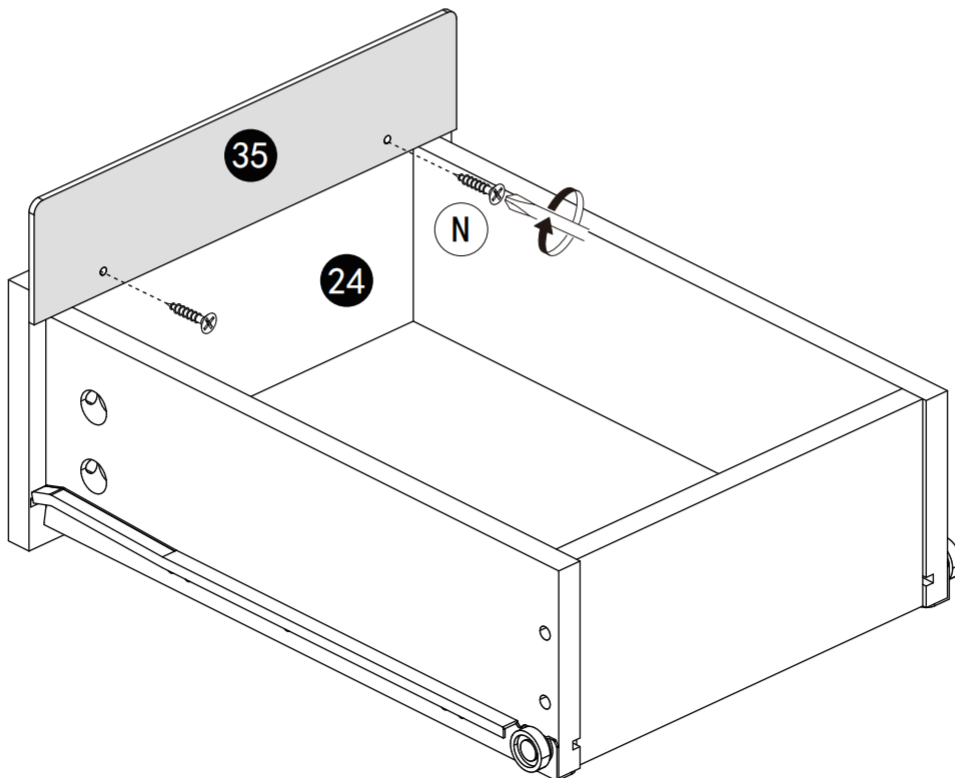
X2



	H		x2		
M		A		x4	x8
B		F		x8	x8

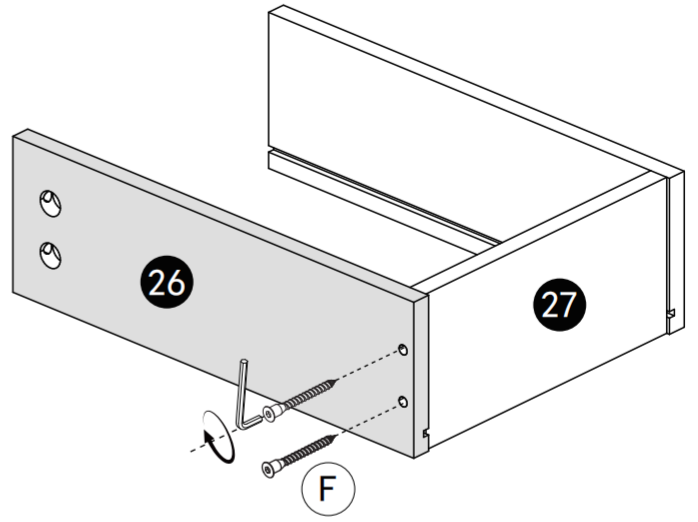
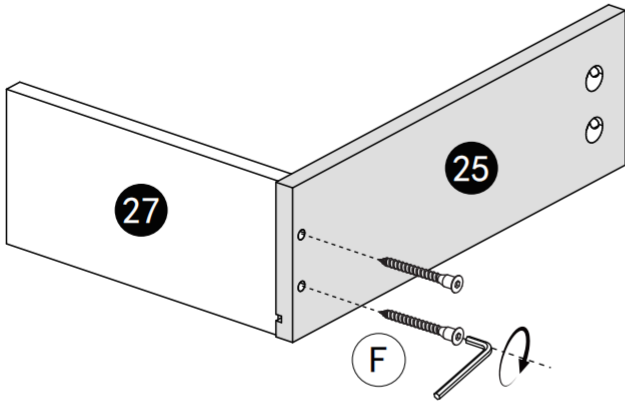
2**DL****DR**

DL		x2
DR		x2
E		x8

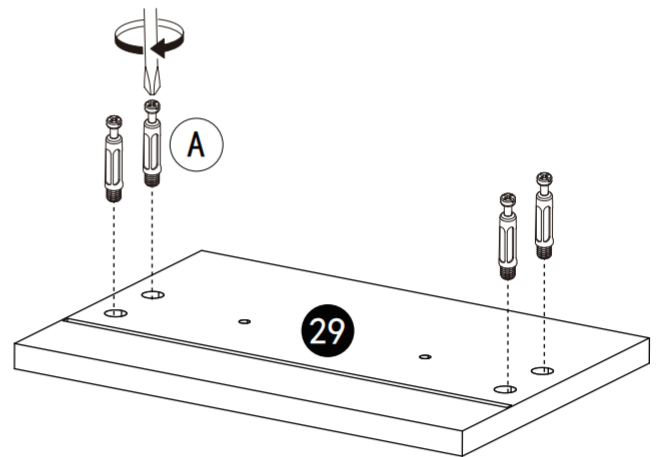
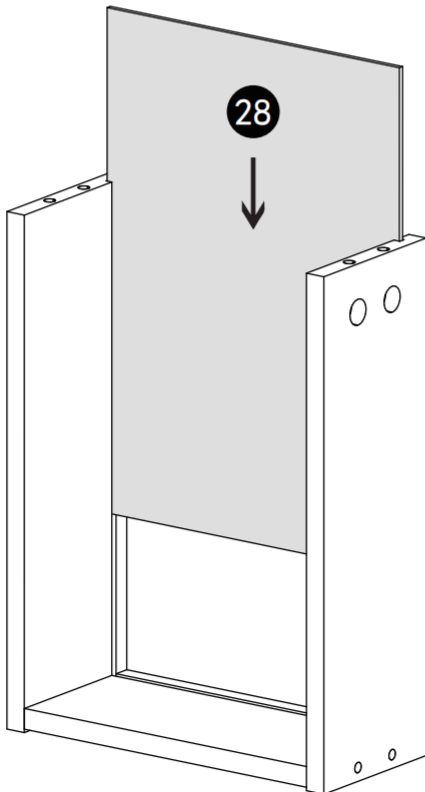
X2



N		x4
---	---	----

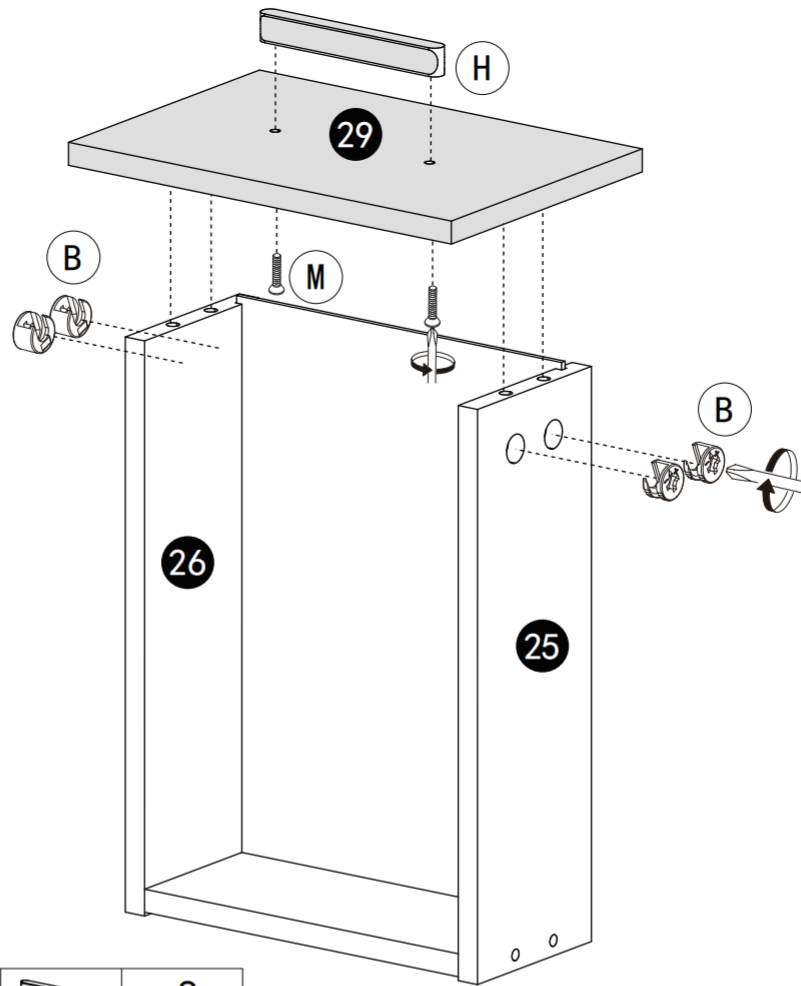
3






X8

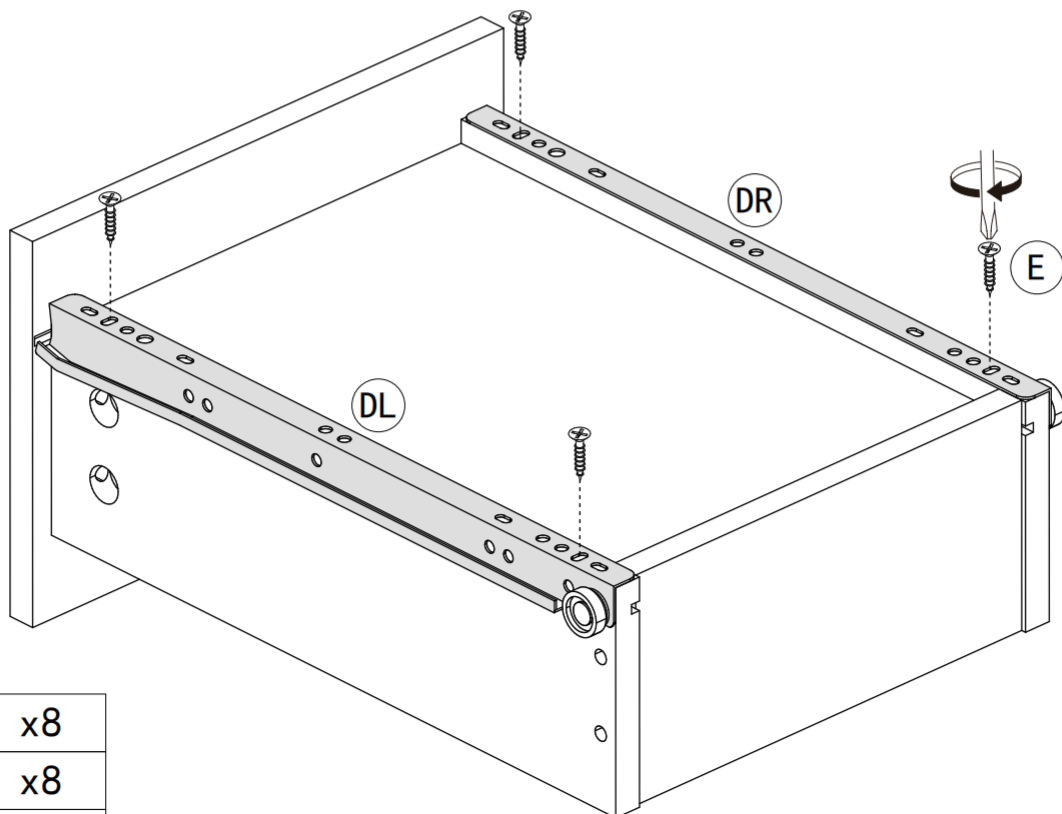
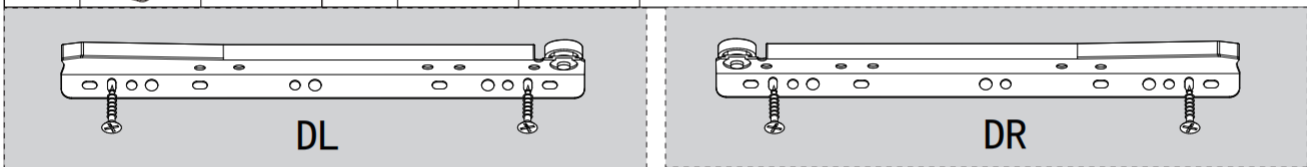



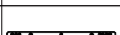

A		x32
F		x32



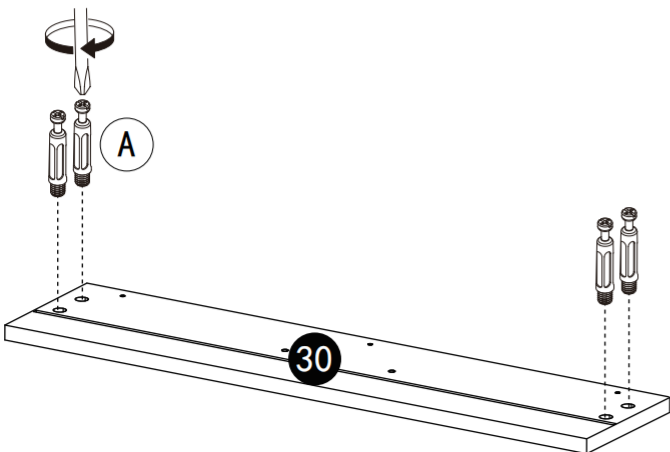
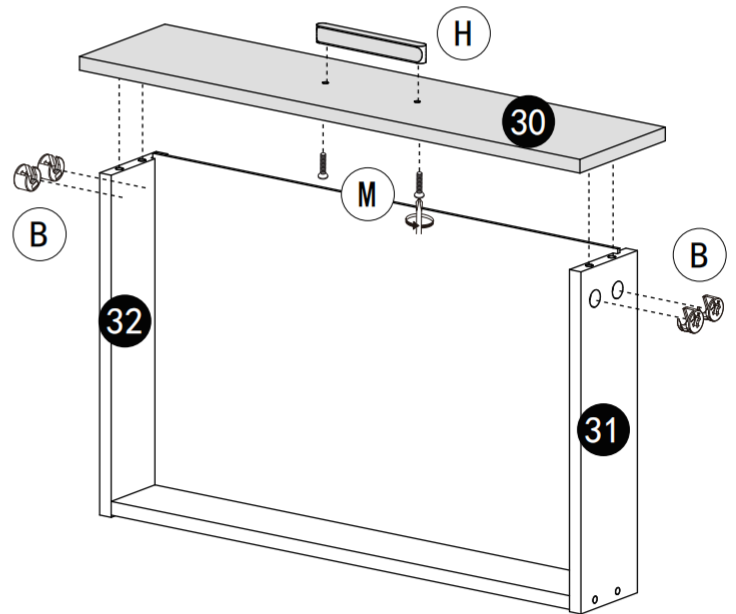
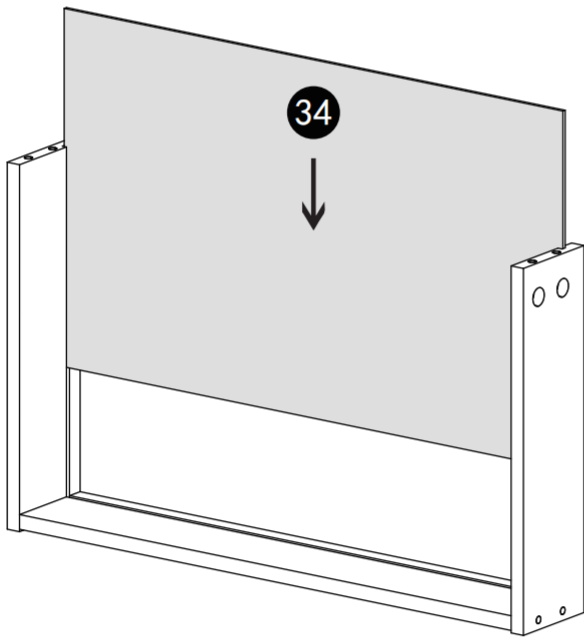
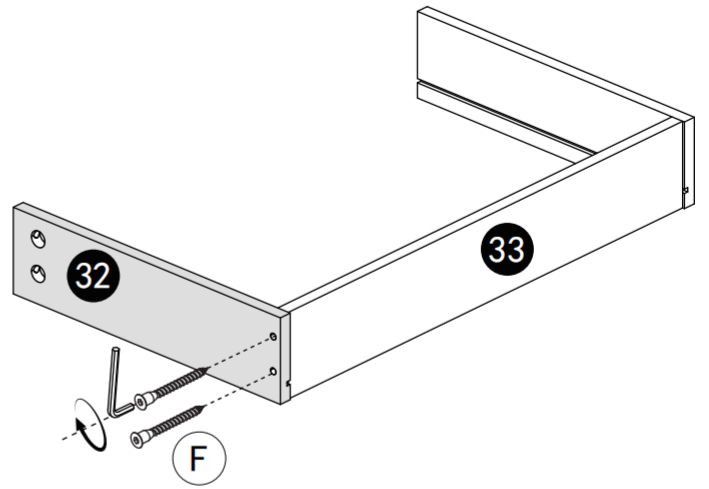
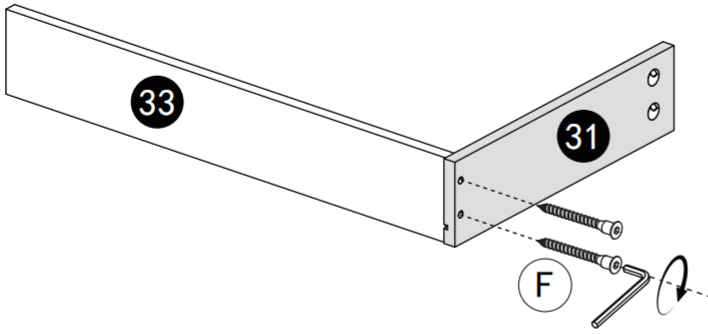
M		x16			
B		x32	H		x8

X8



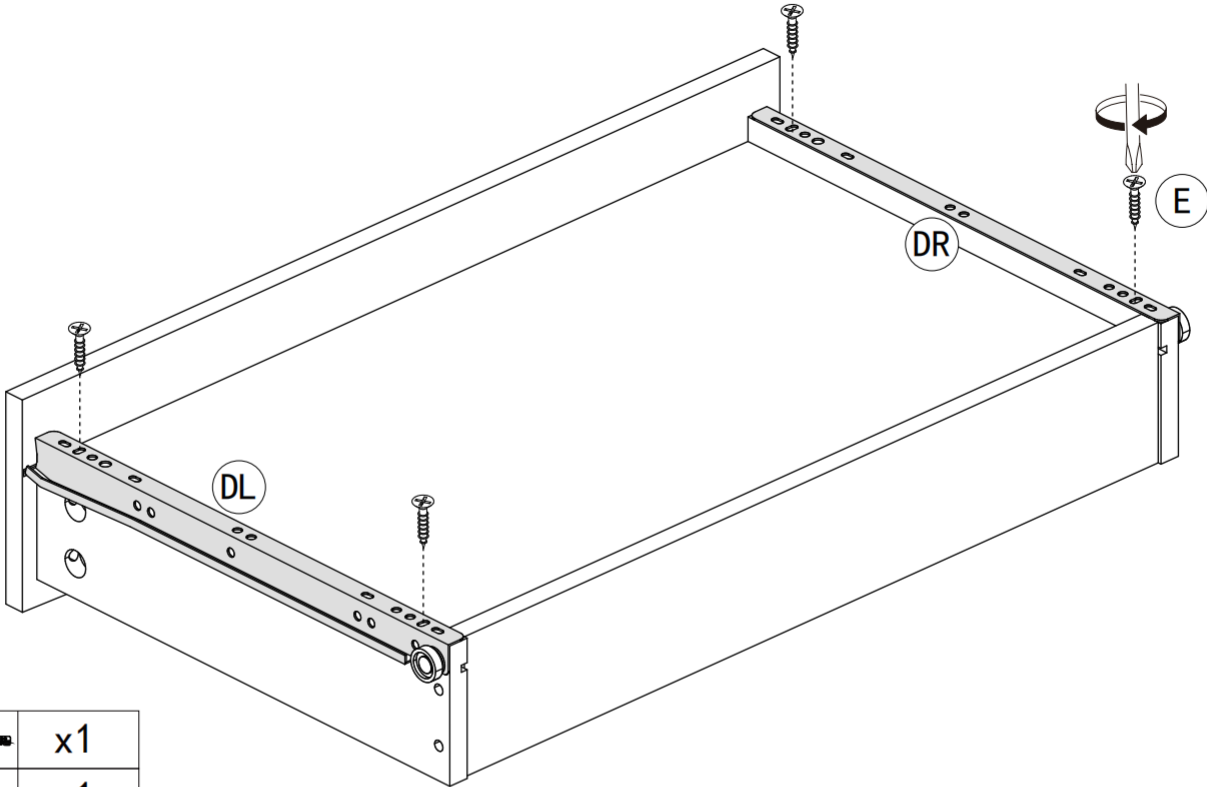
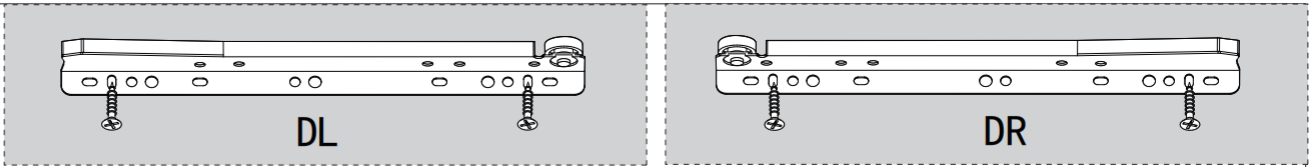
DL		x8
DR		x8
E		x32




5

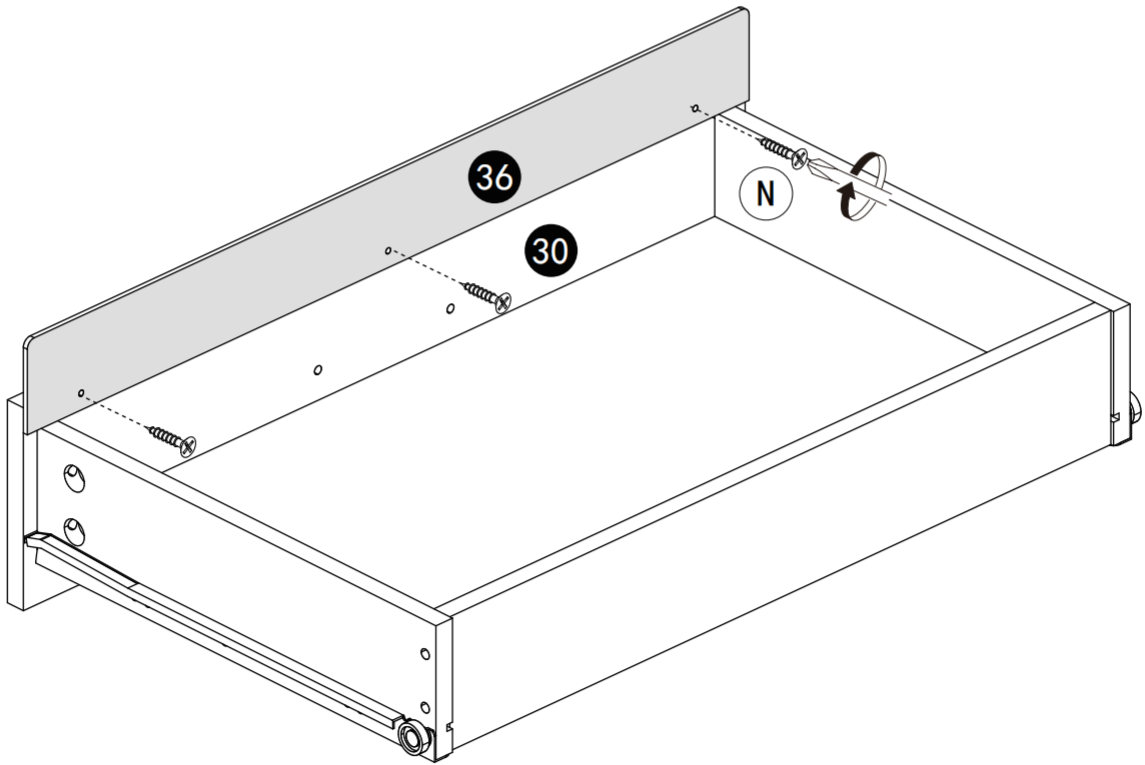



			H		x1
M		x2	A		x4
B		x4	F		x4

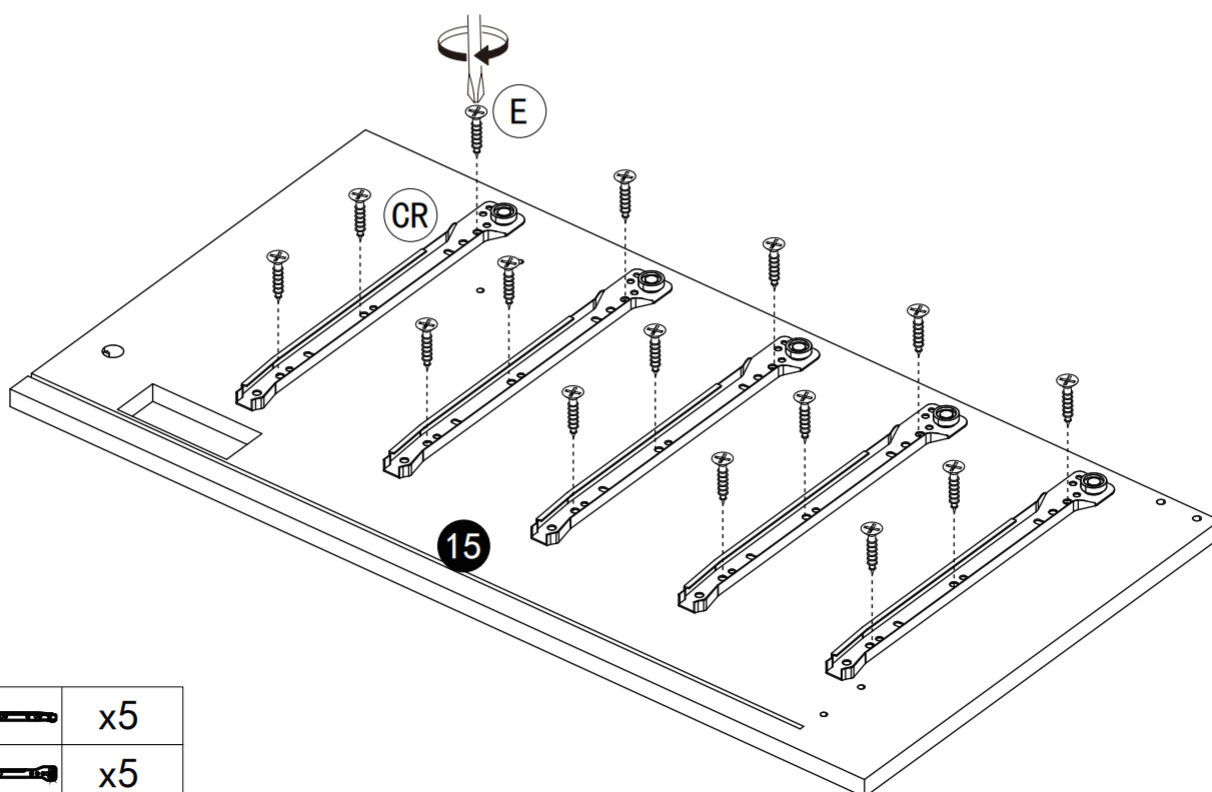
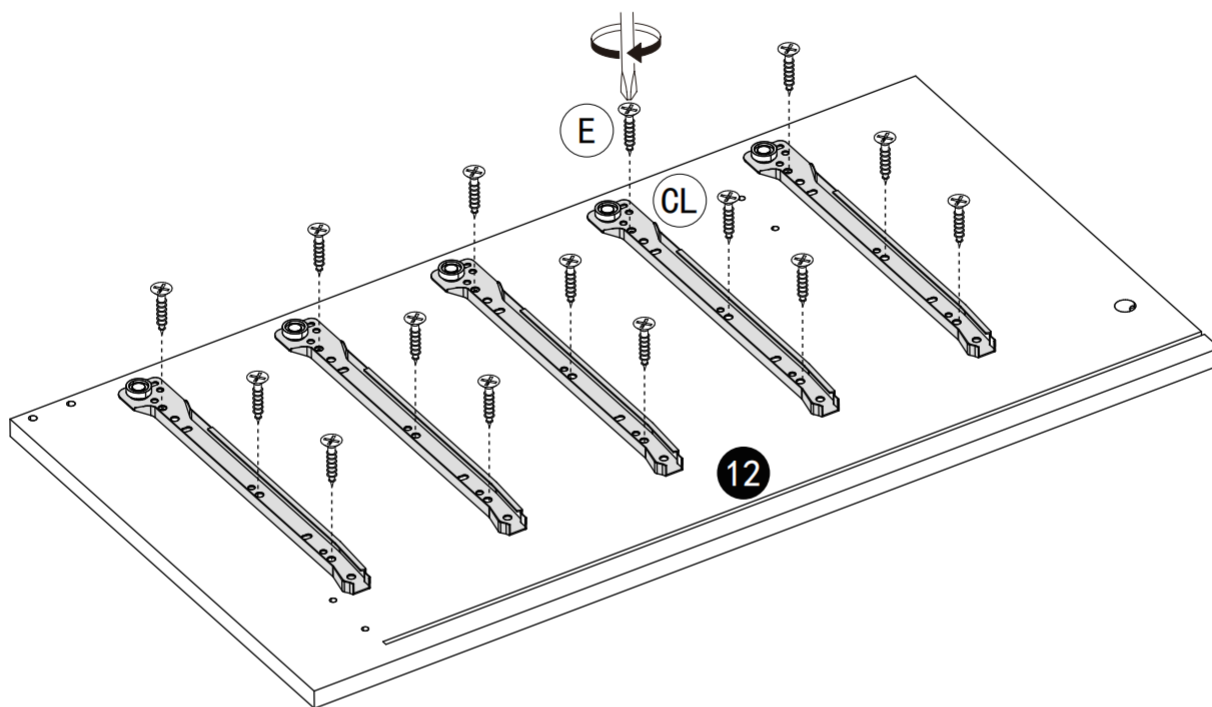
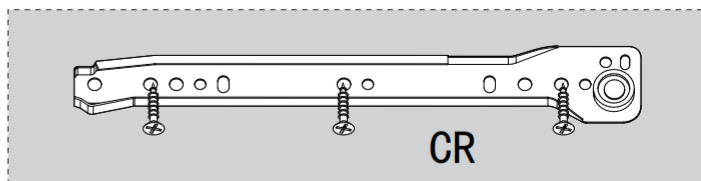
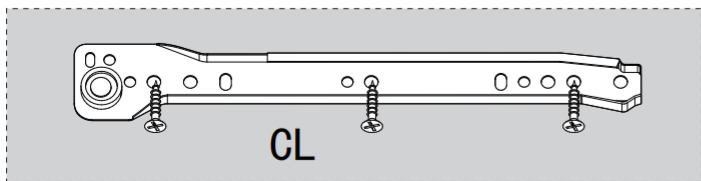
6



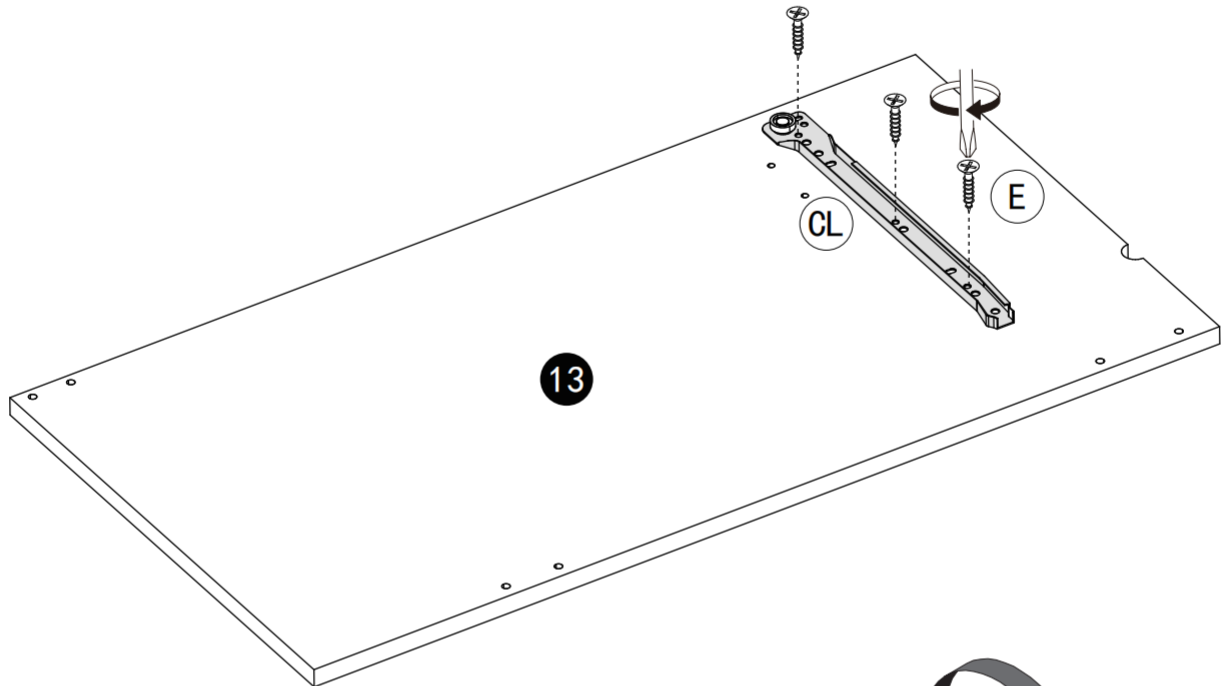
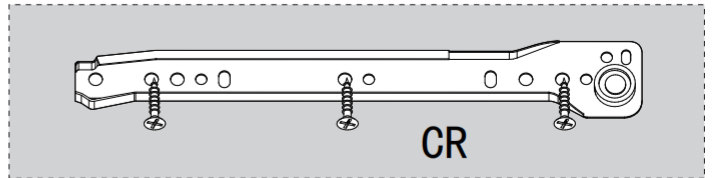
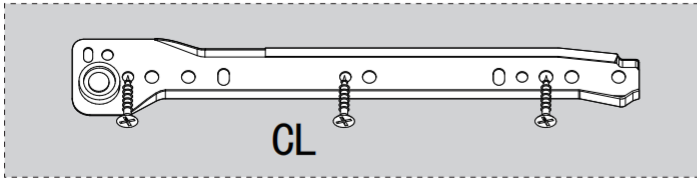
DL		x1
DR		x1
E		x4



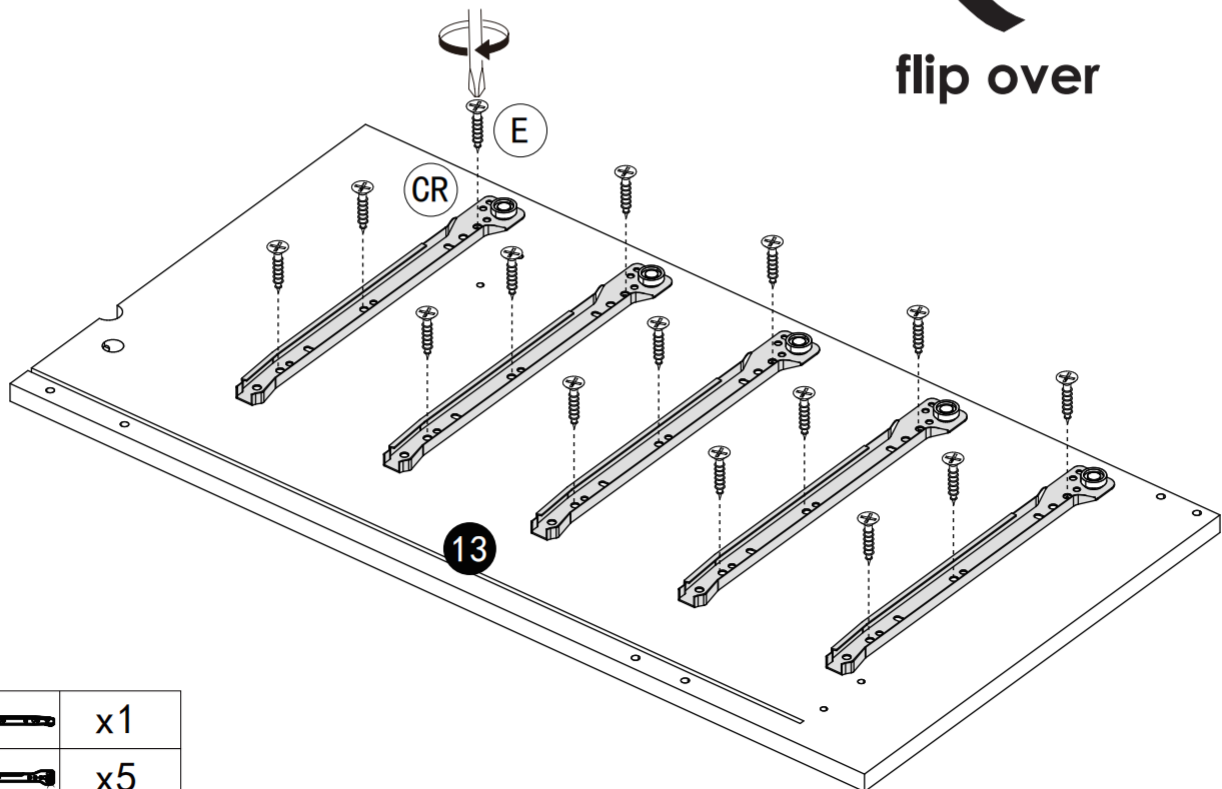
N		x3
---	---	----






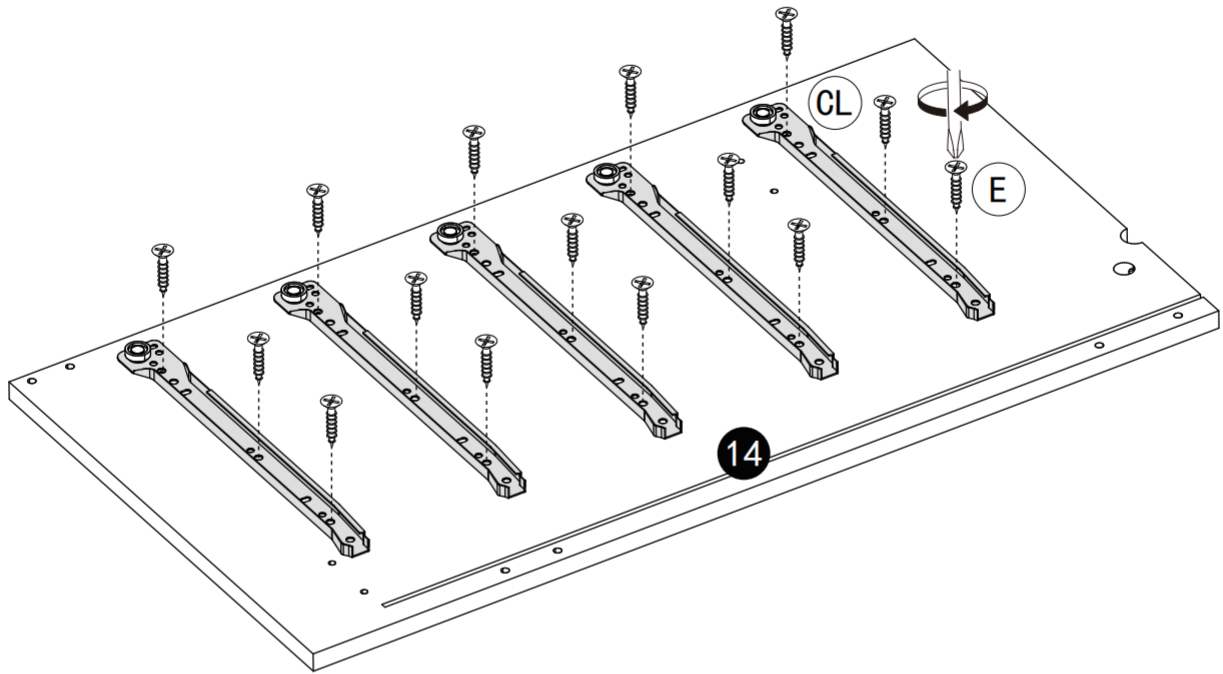
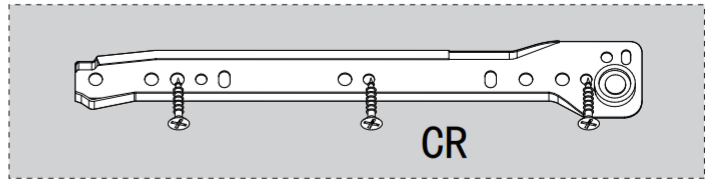
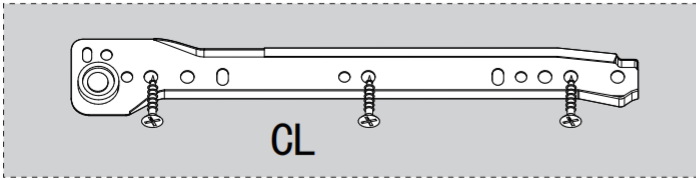
CL		x5
CR		x5
E		x30



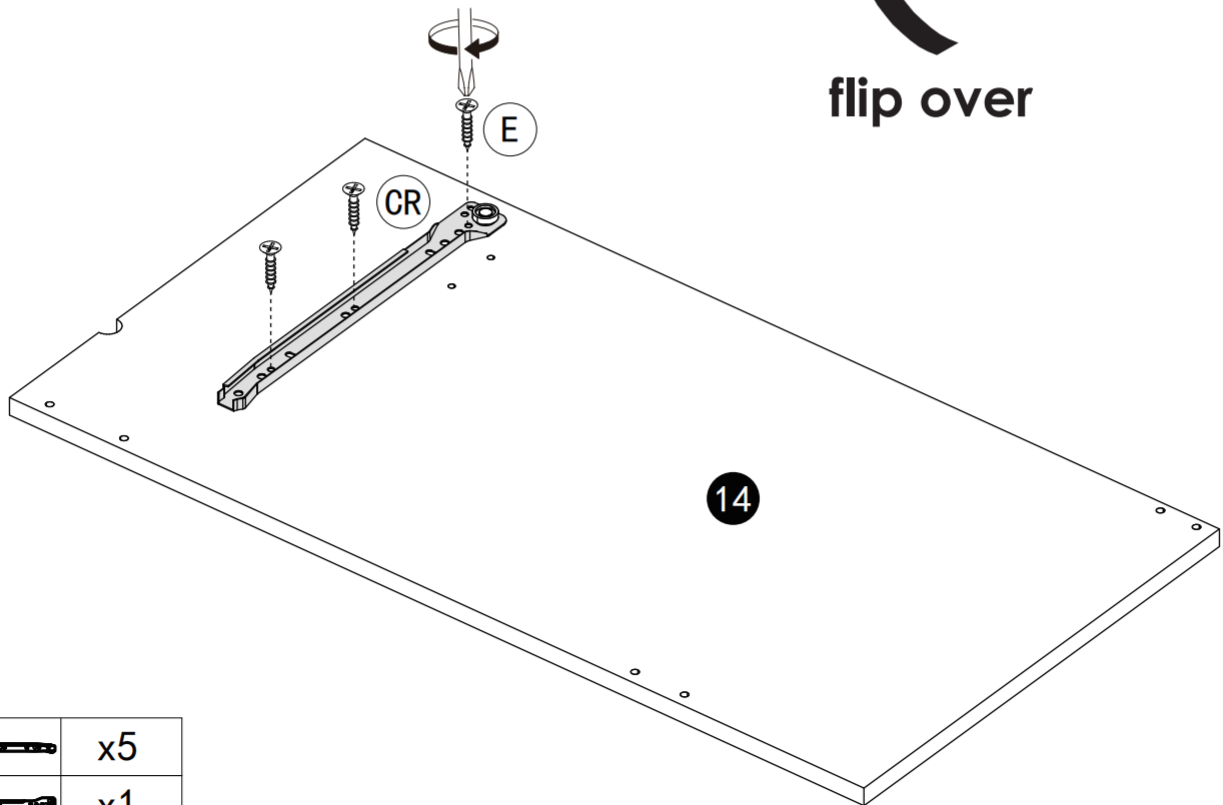
flip over



CL		x1
CR		x5
E		x18



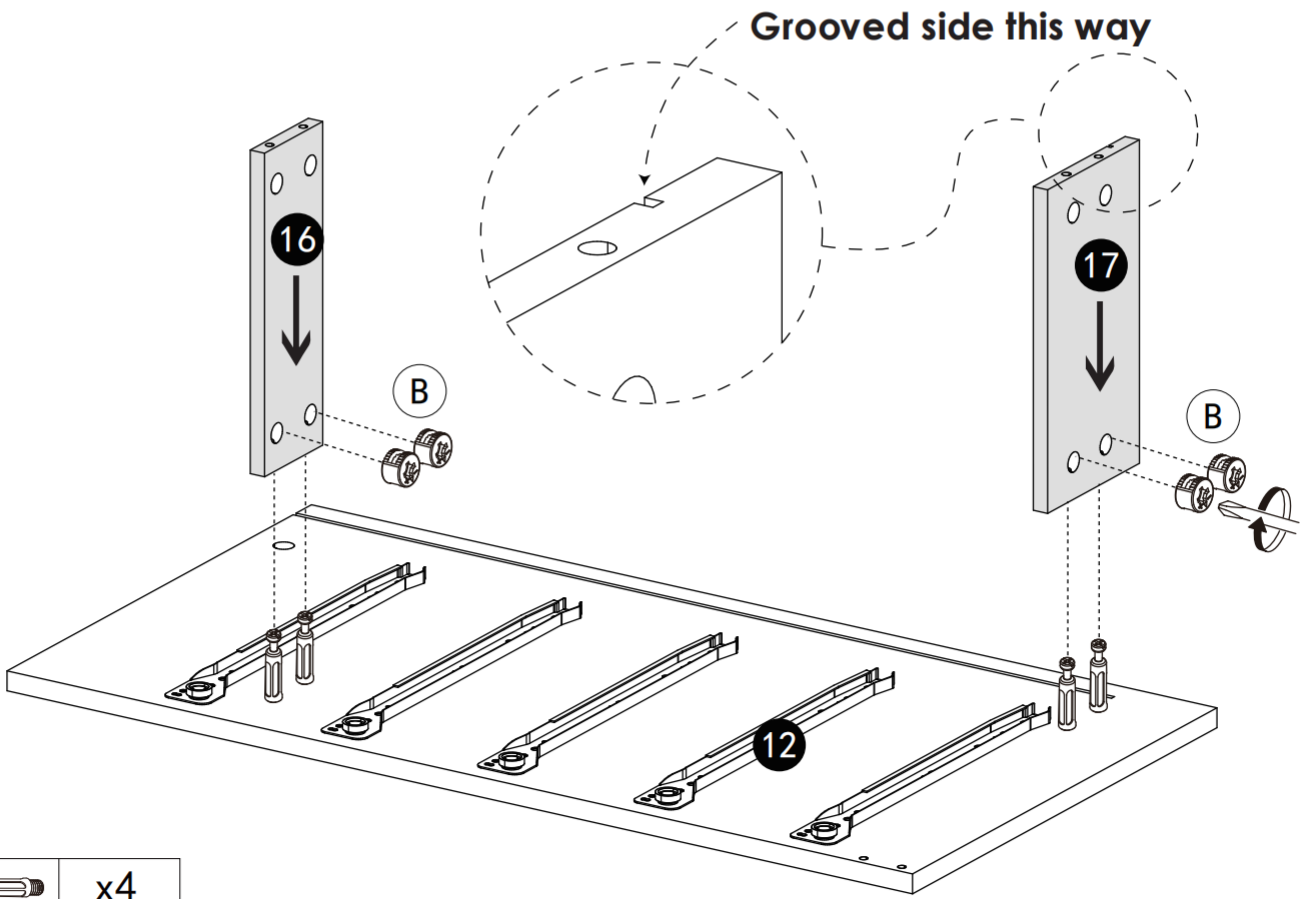
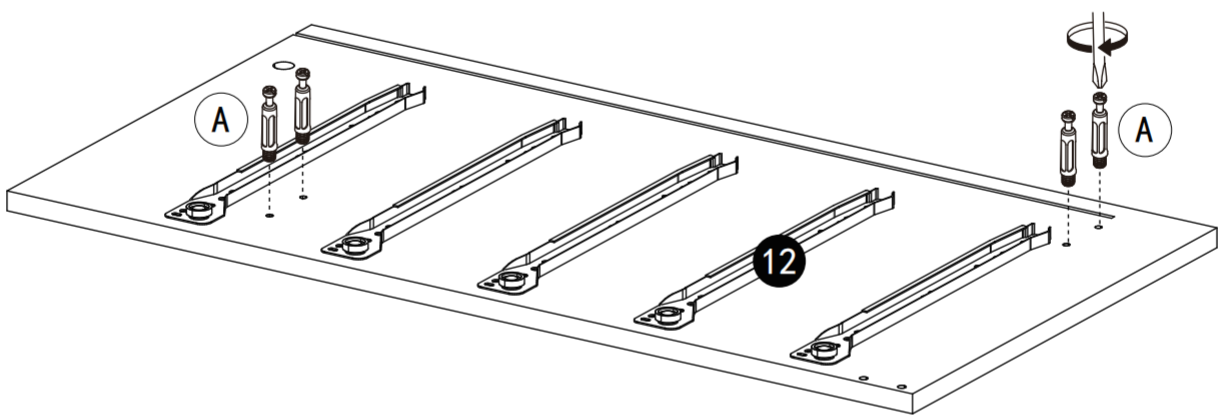
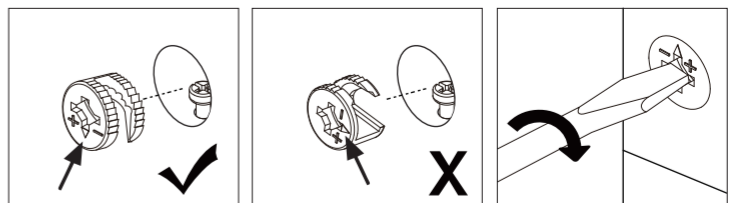
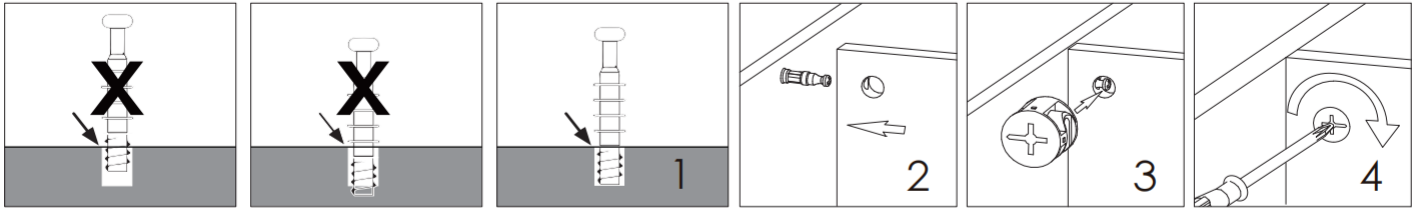
flip over





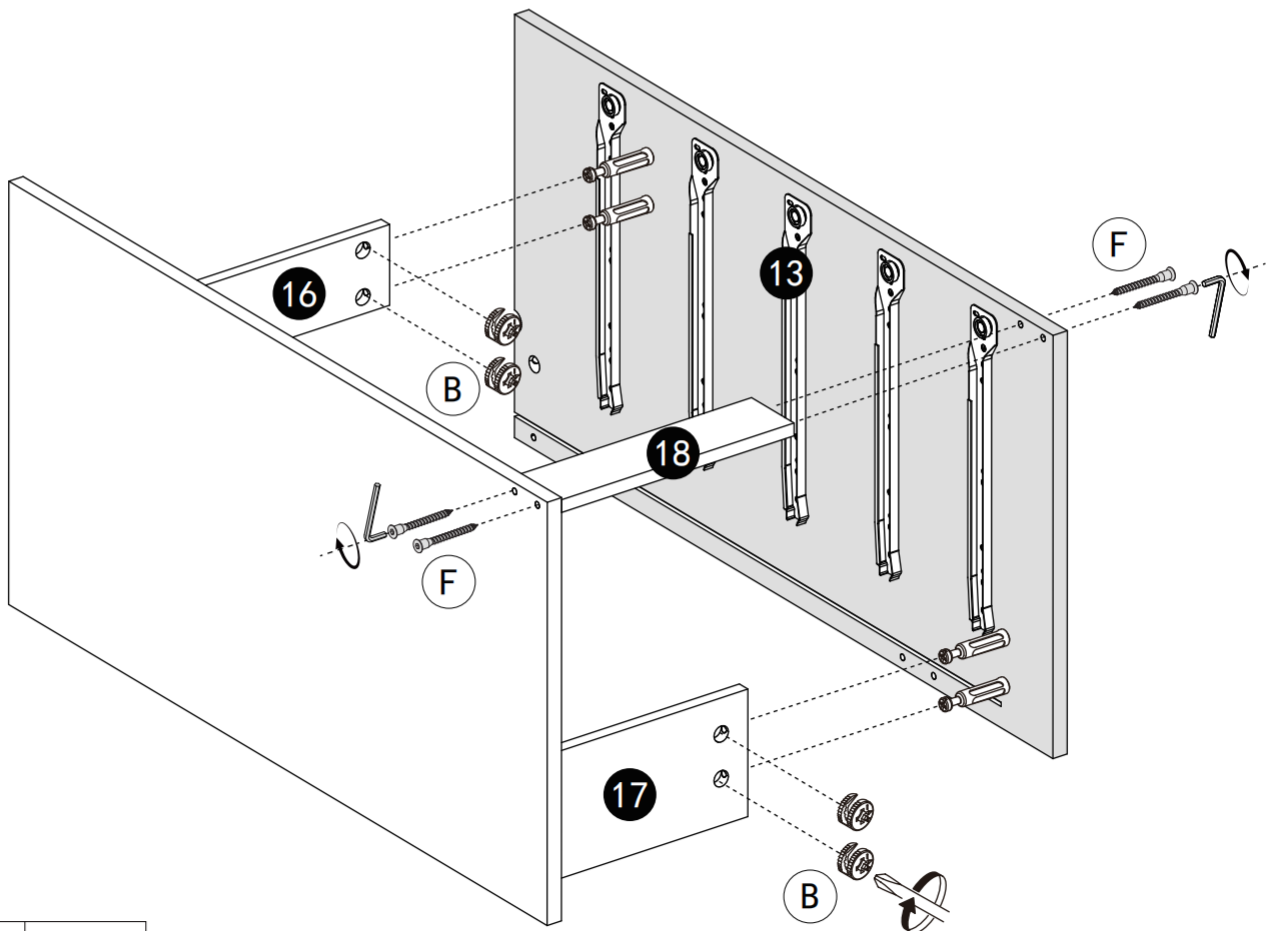
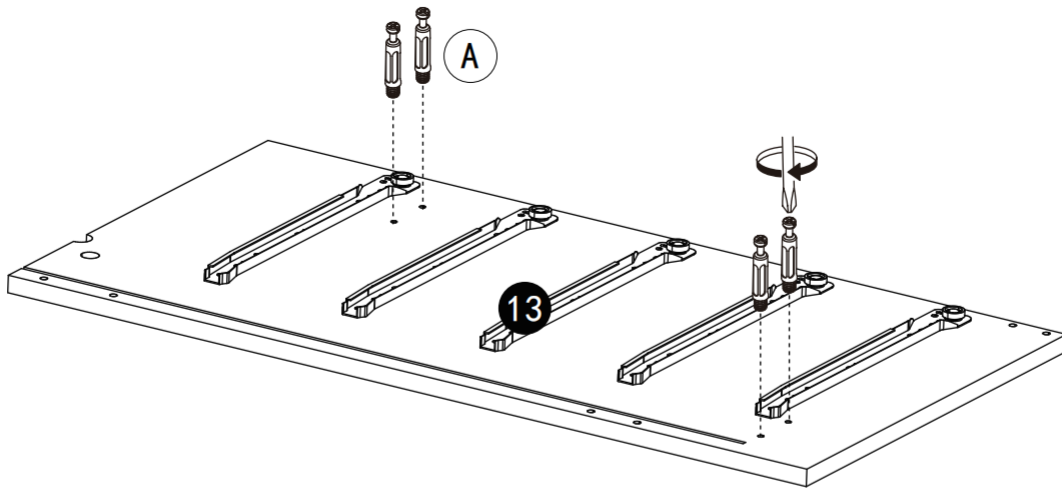
CL		x5
CR		x1
E		x18




10

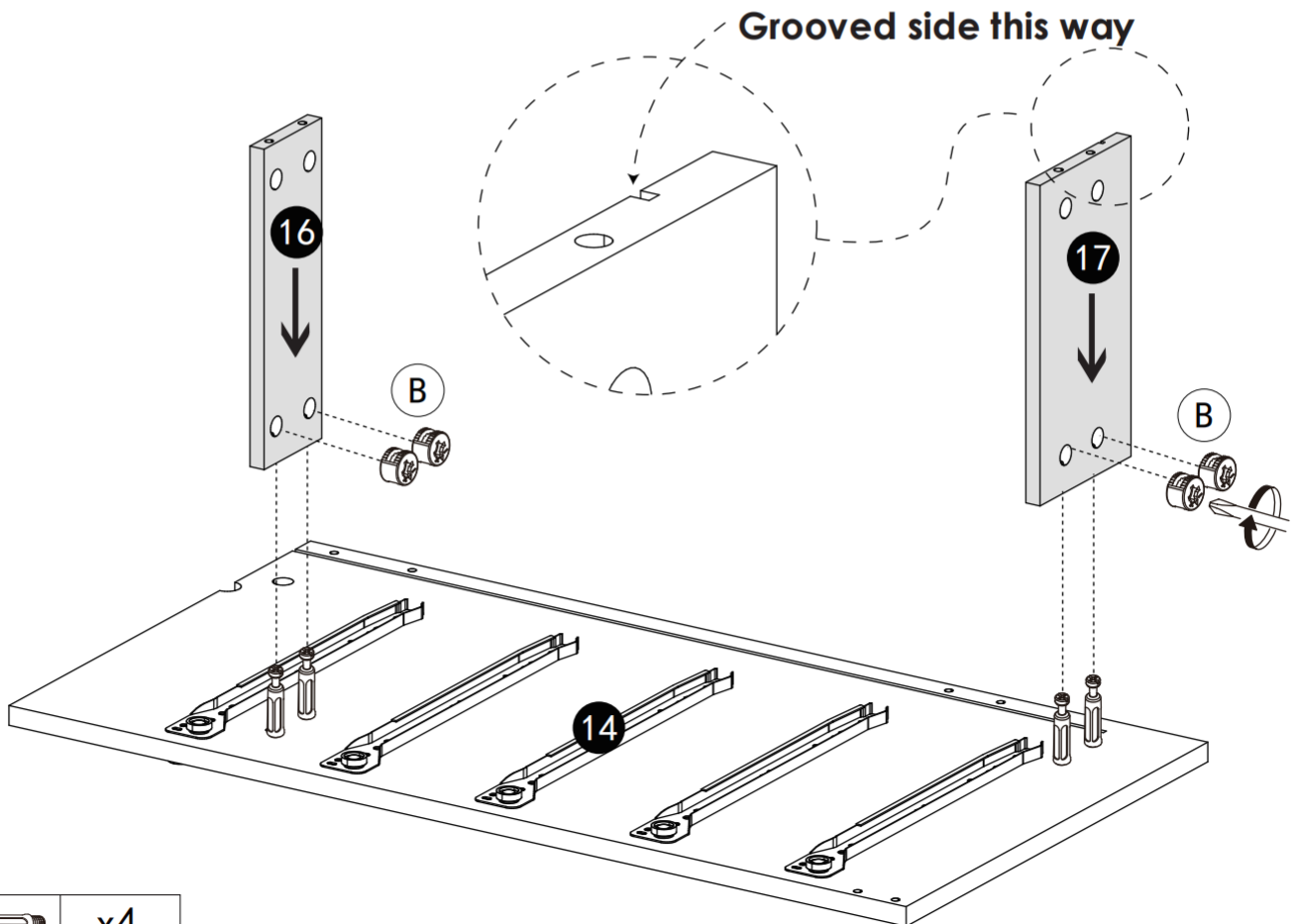
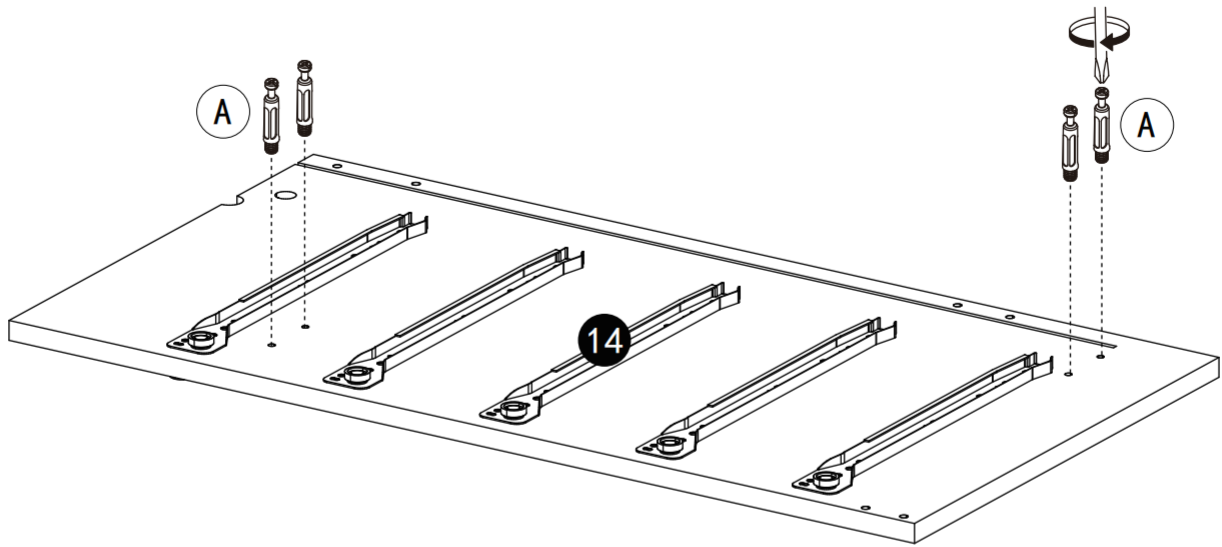
Installation method of three in one rod and buckle





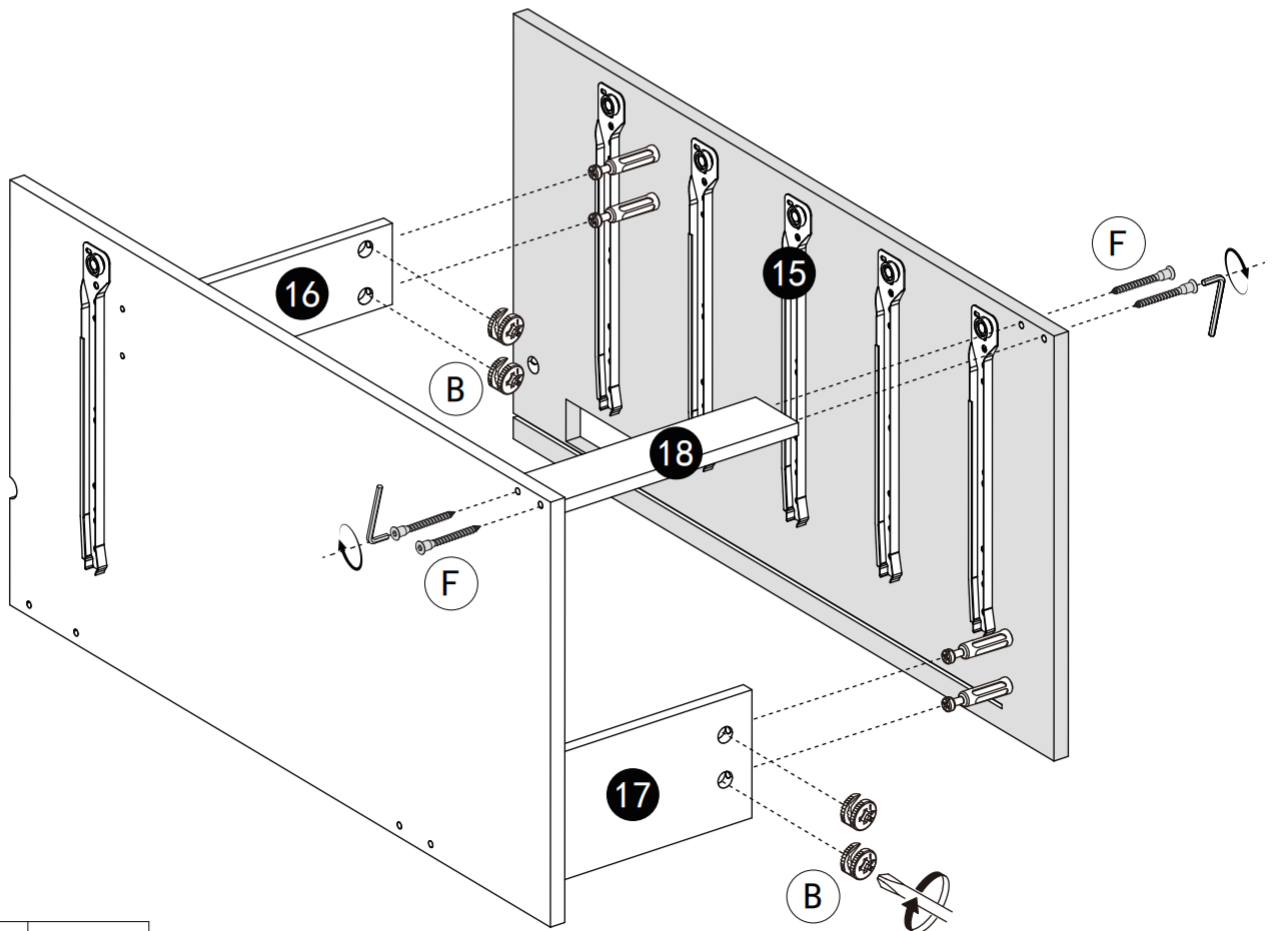
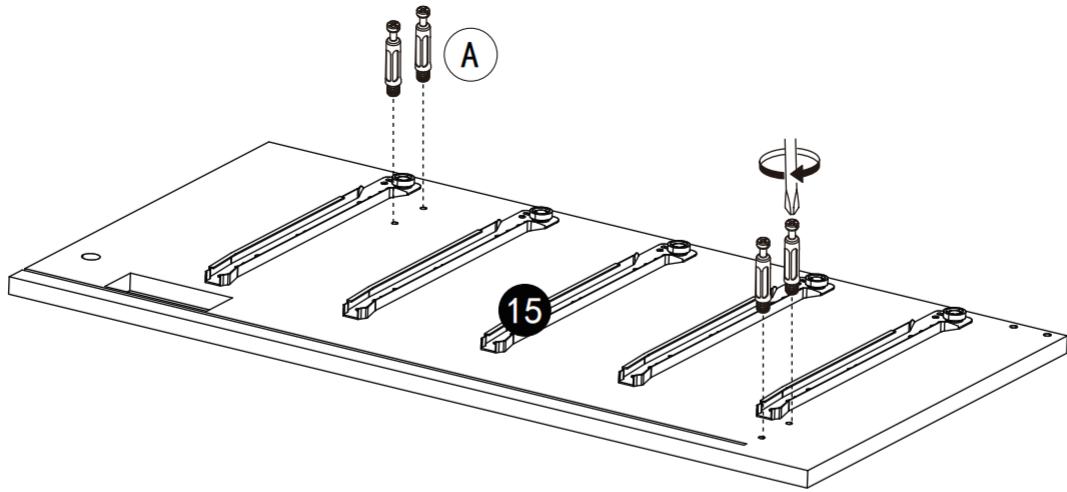
A		x4
B		x4






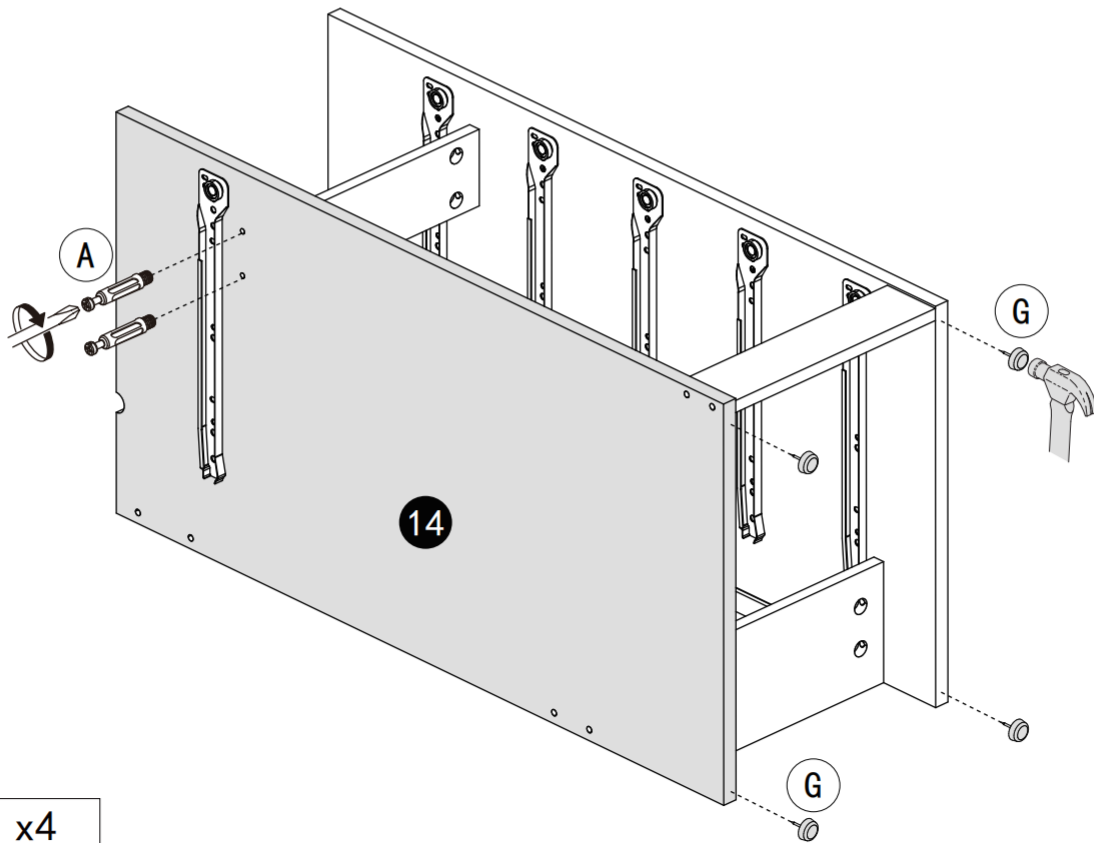
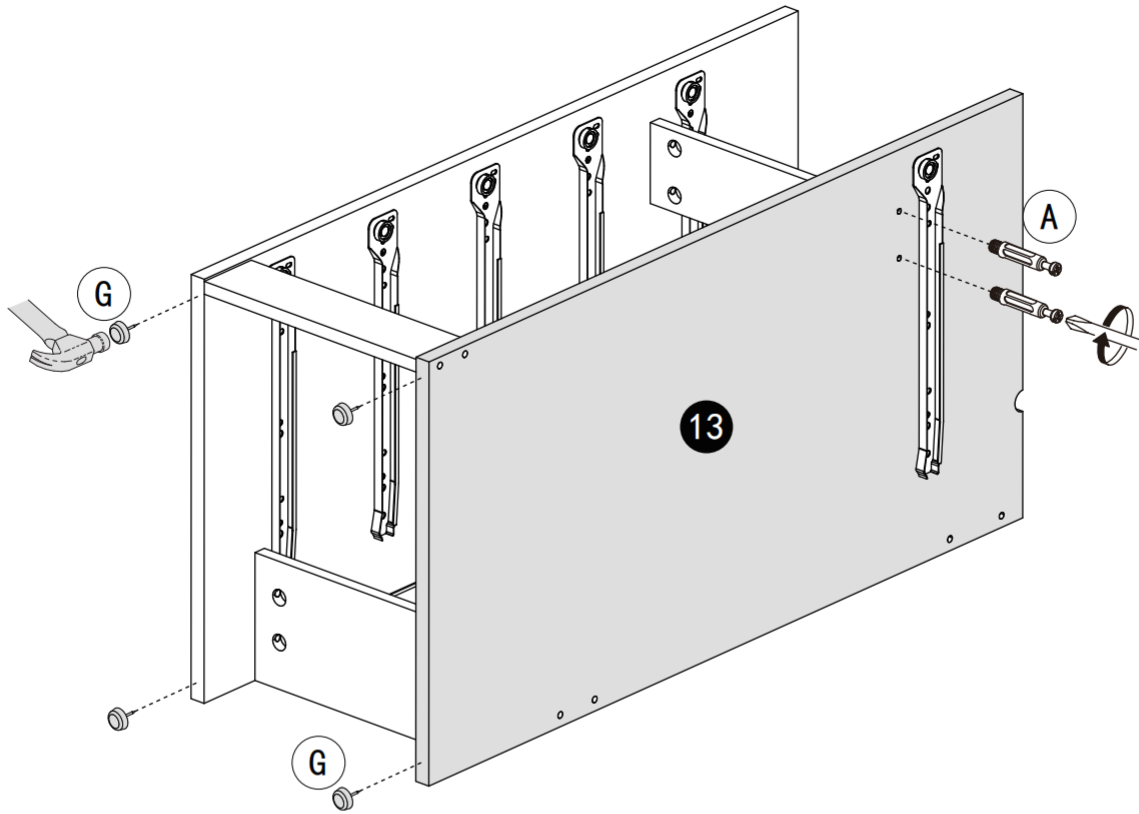
A		x4			
B		x4	F		x4


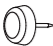


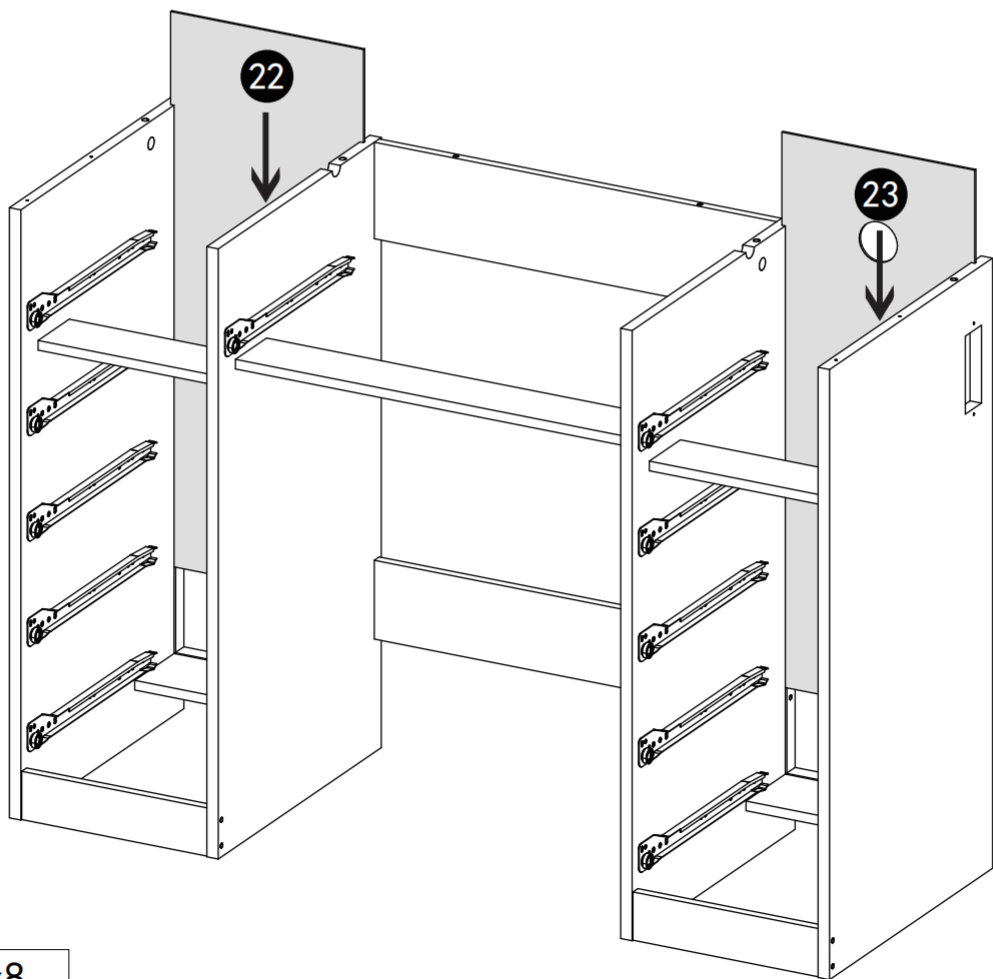
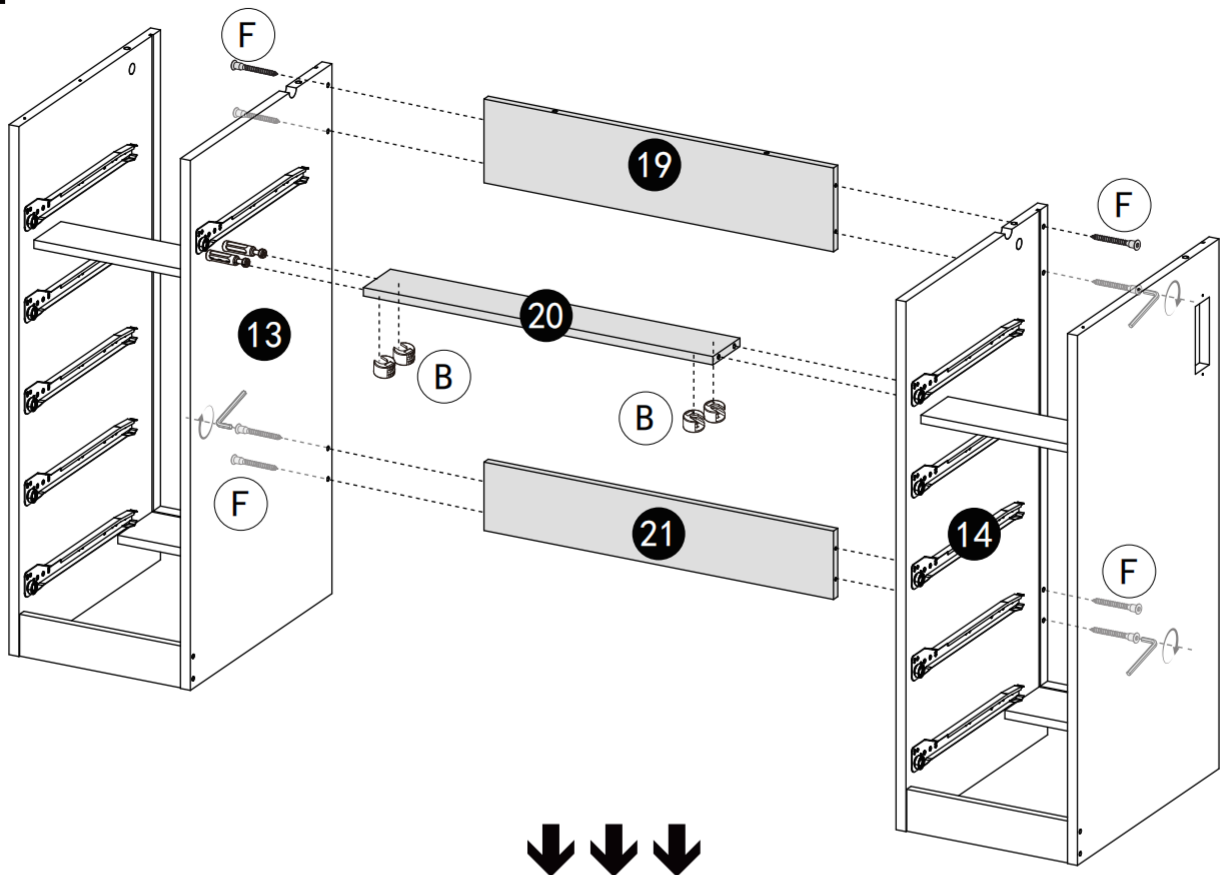
A		x4
B		x4





A		x4			
B		x4	F		x4



A		x4
G		x8



F		x8
B		x4

16



T

1

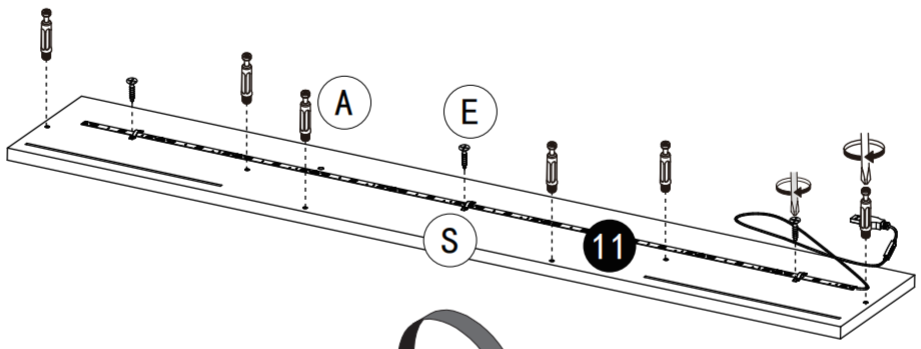
2



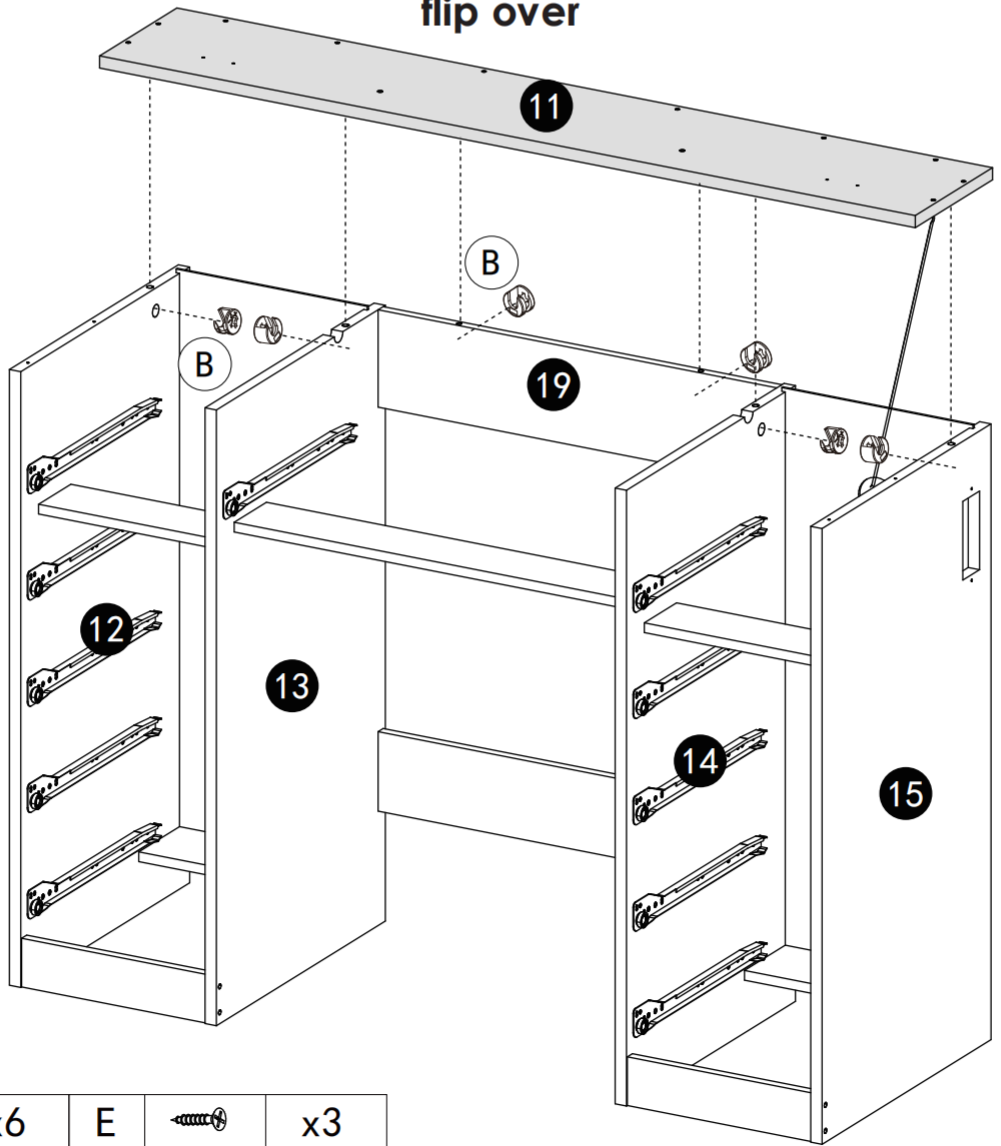
E

T

S

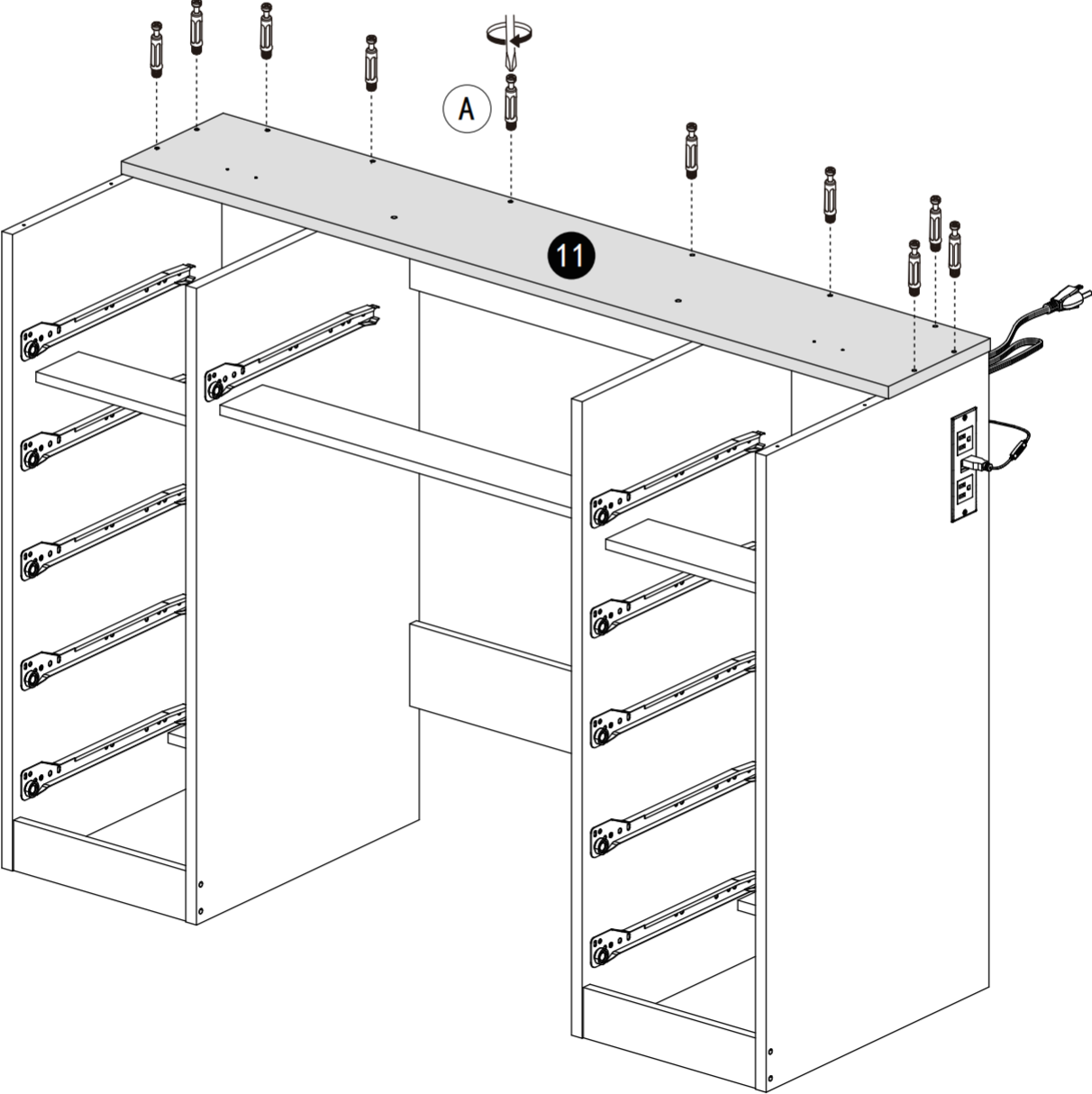
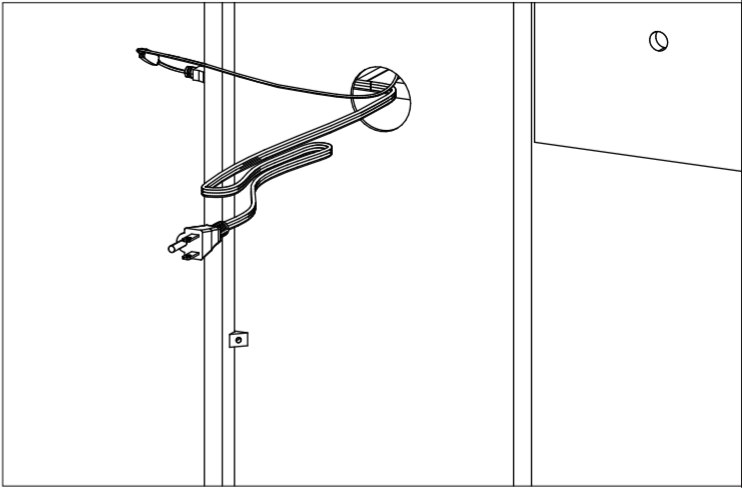
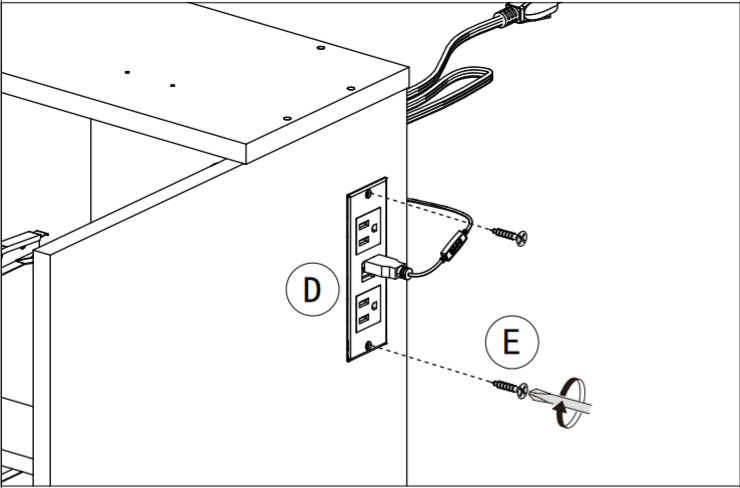




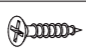
flip over

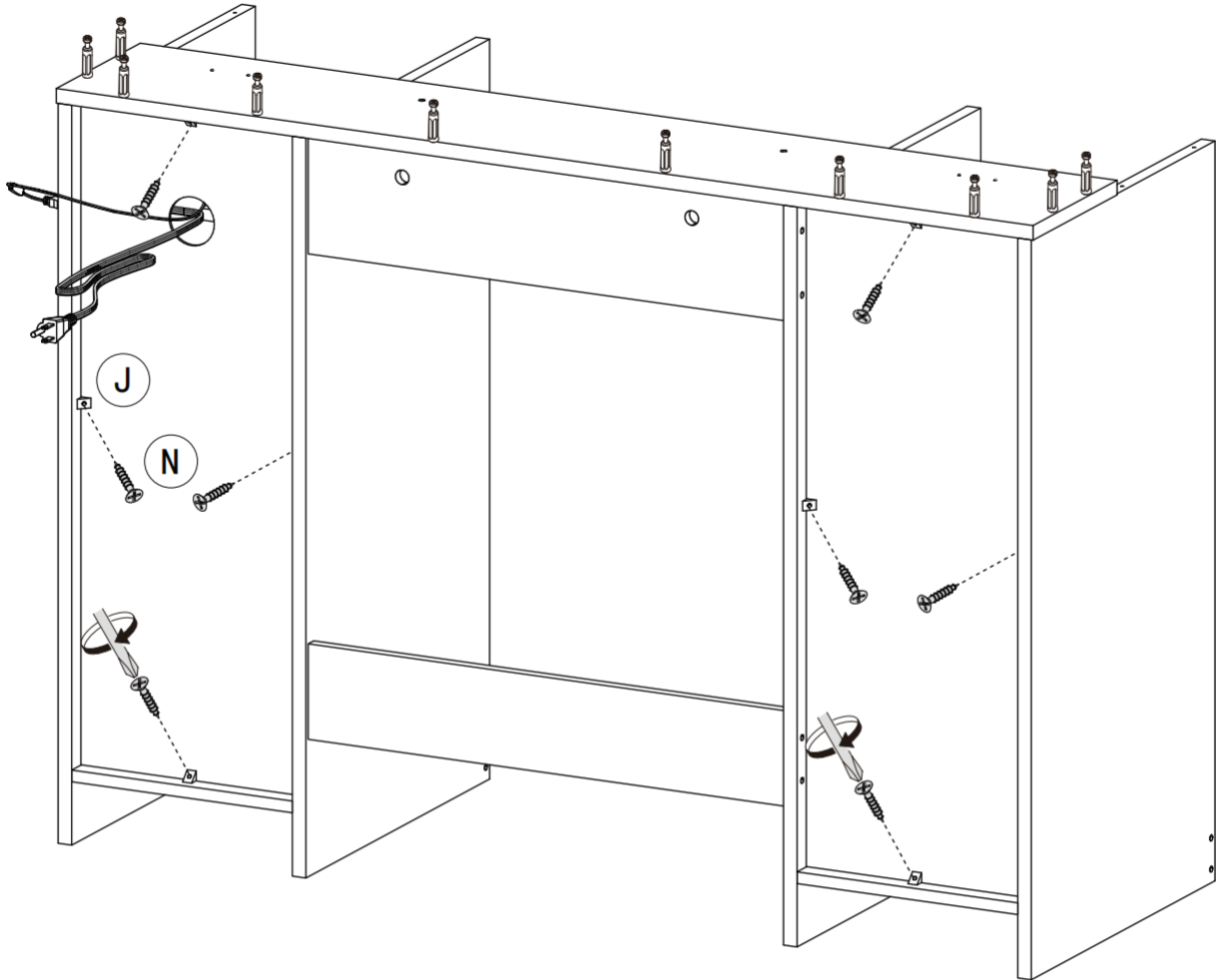


A		x6	E		x3
---	--	----	---	--	----

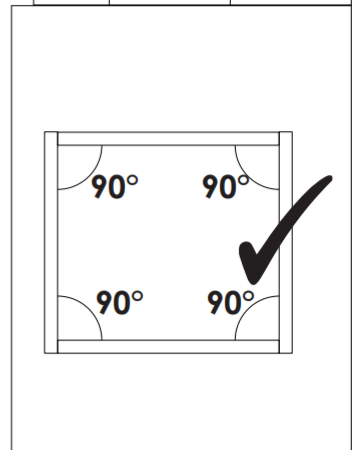
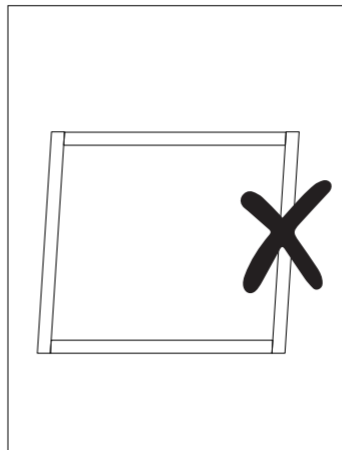
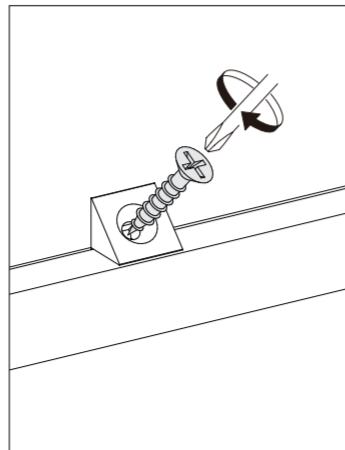
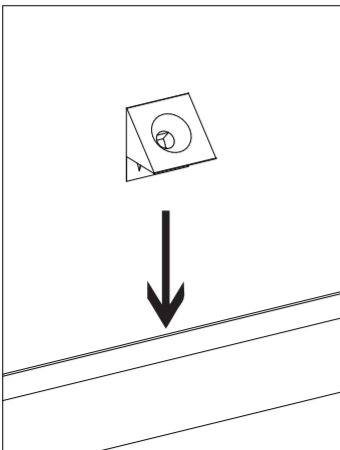
B		x6	S		x3	T		x1
---	--	----	---	--	----	---	--	----

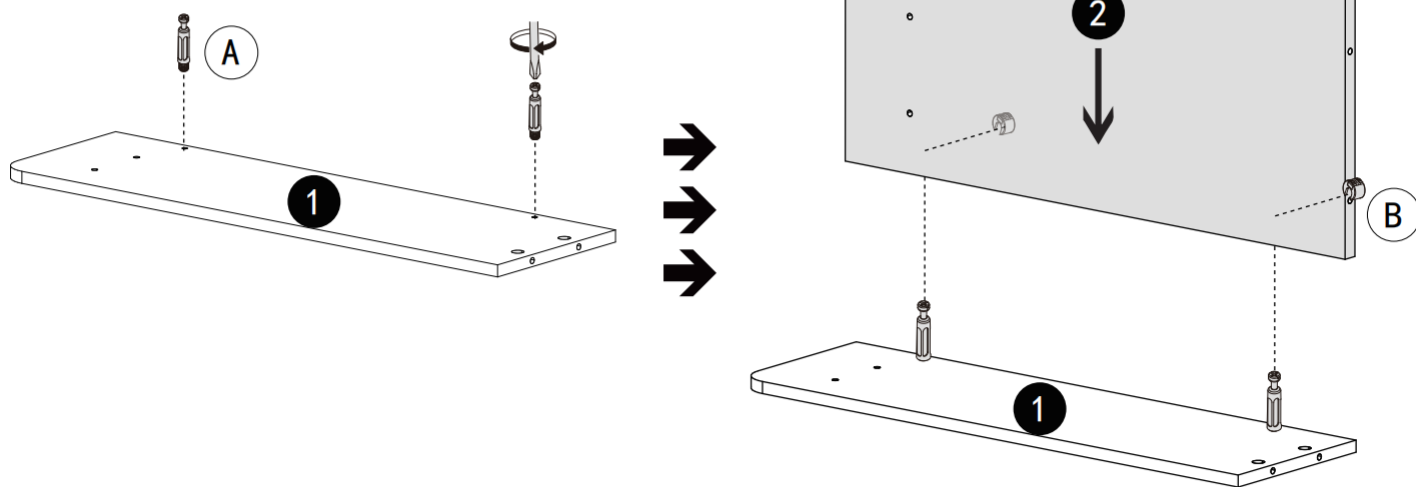
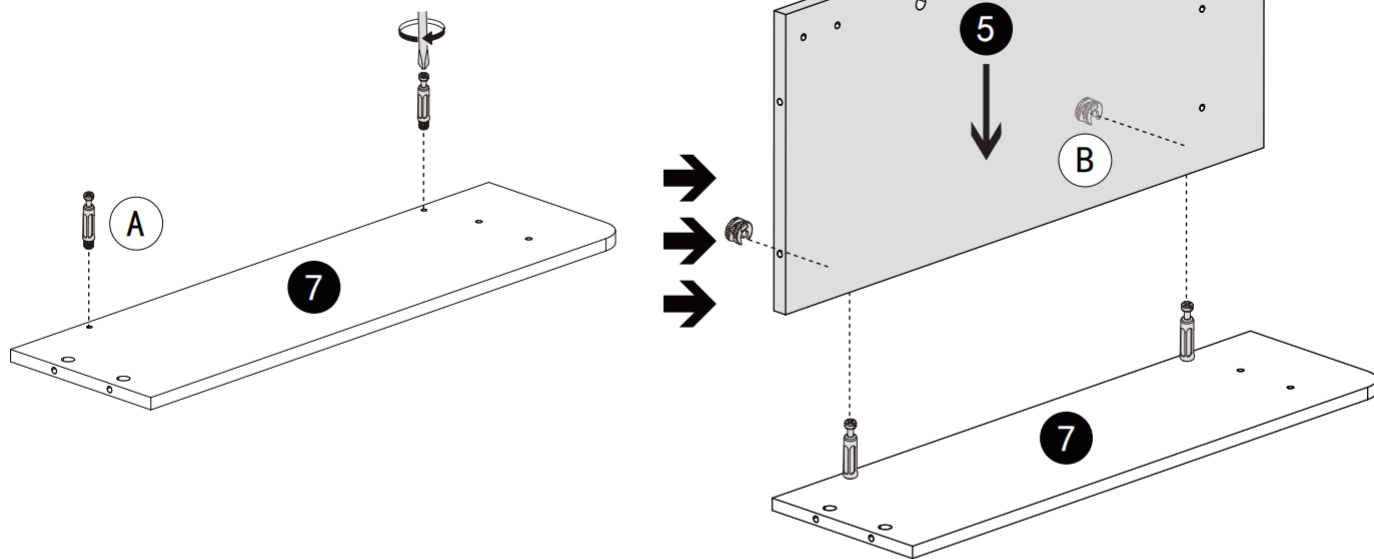


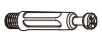

A		x10			
D		x1	E		x2

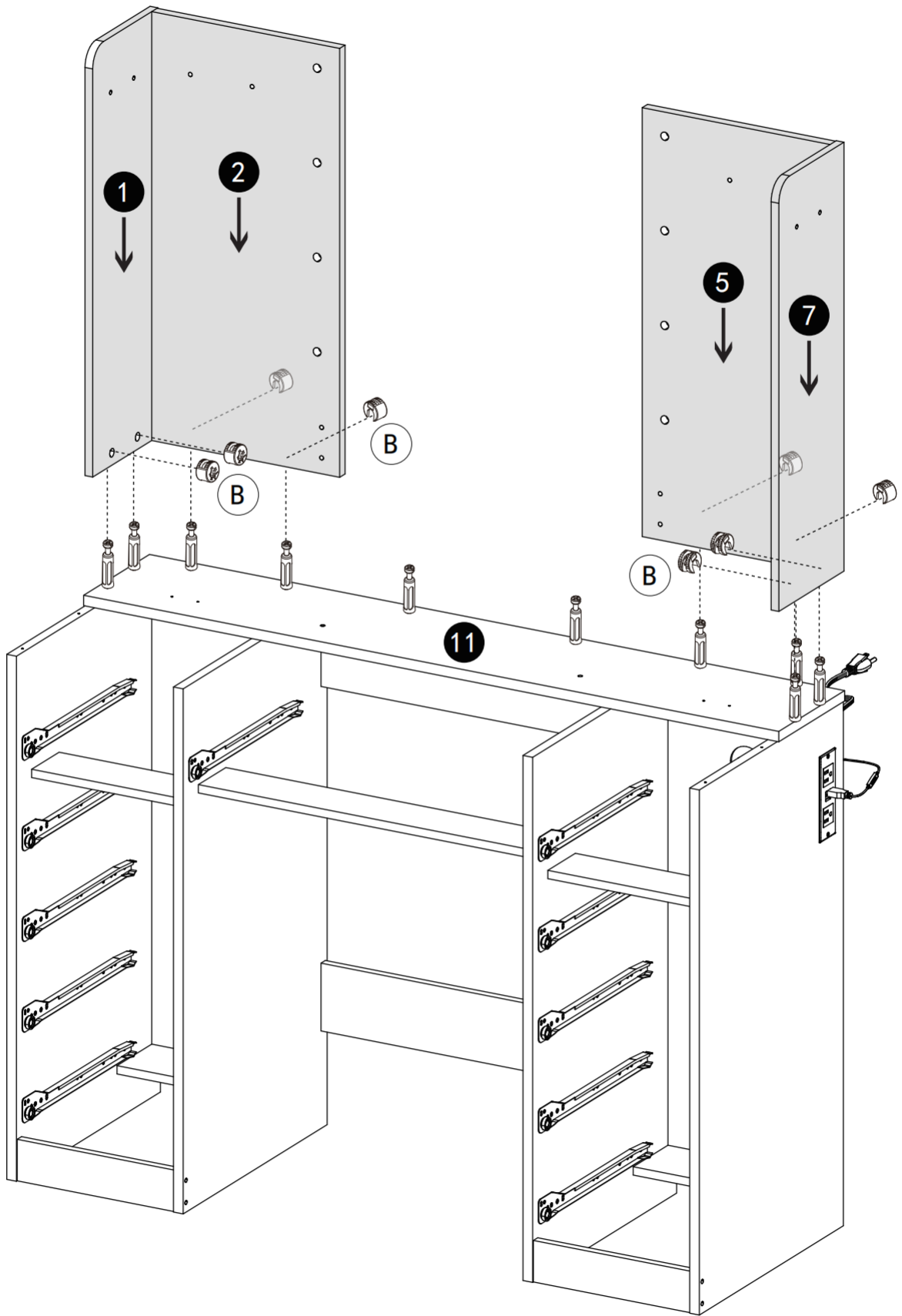


J		x8
N		x8





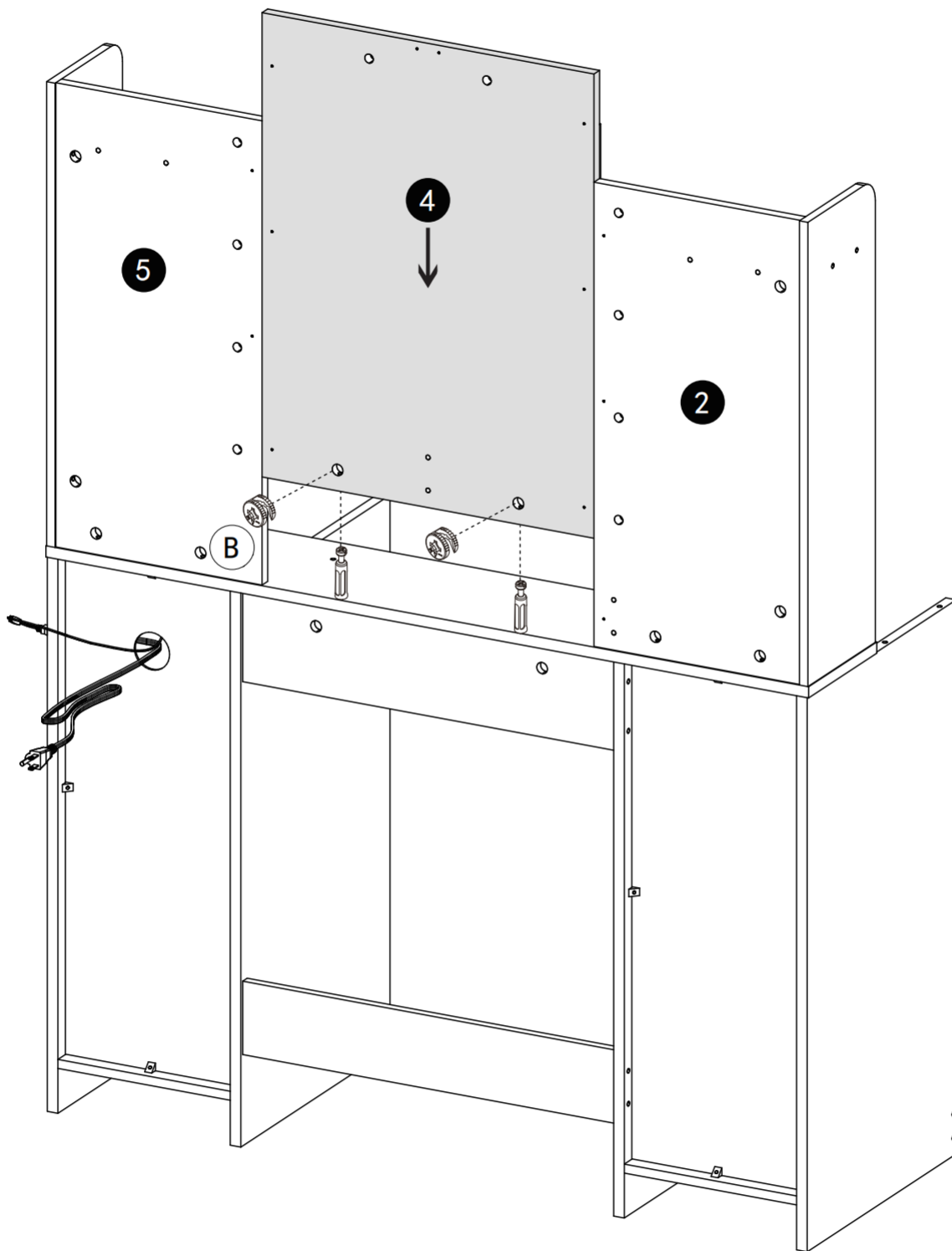
A		x4
B		x4



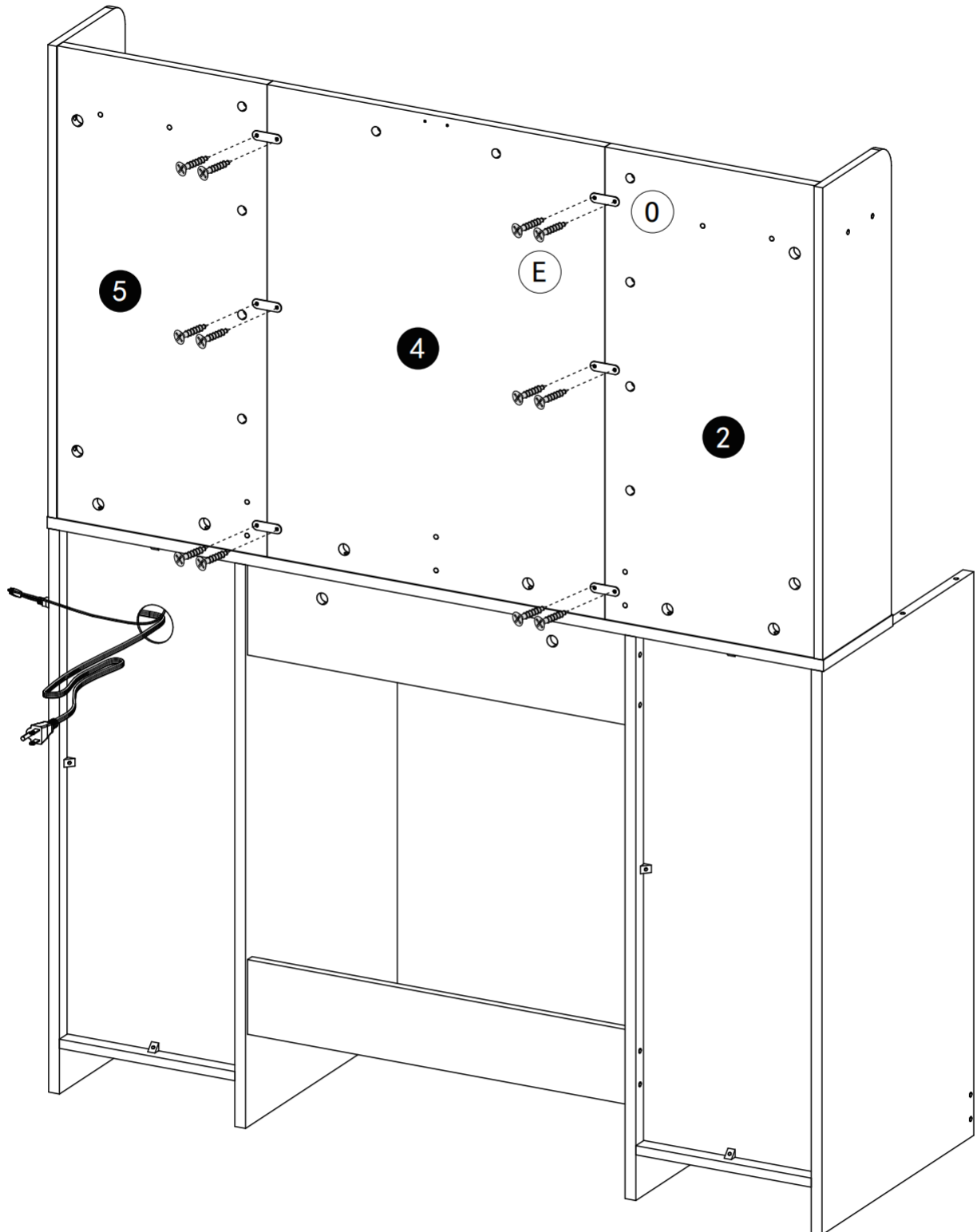
B


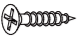


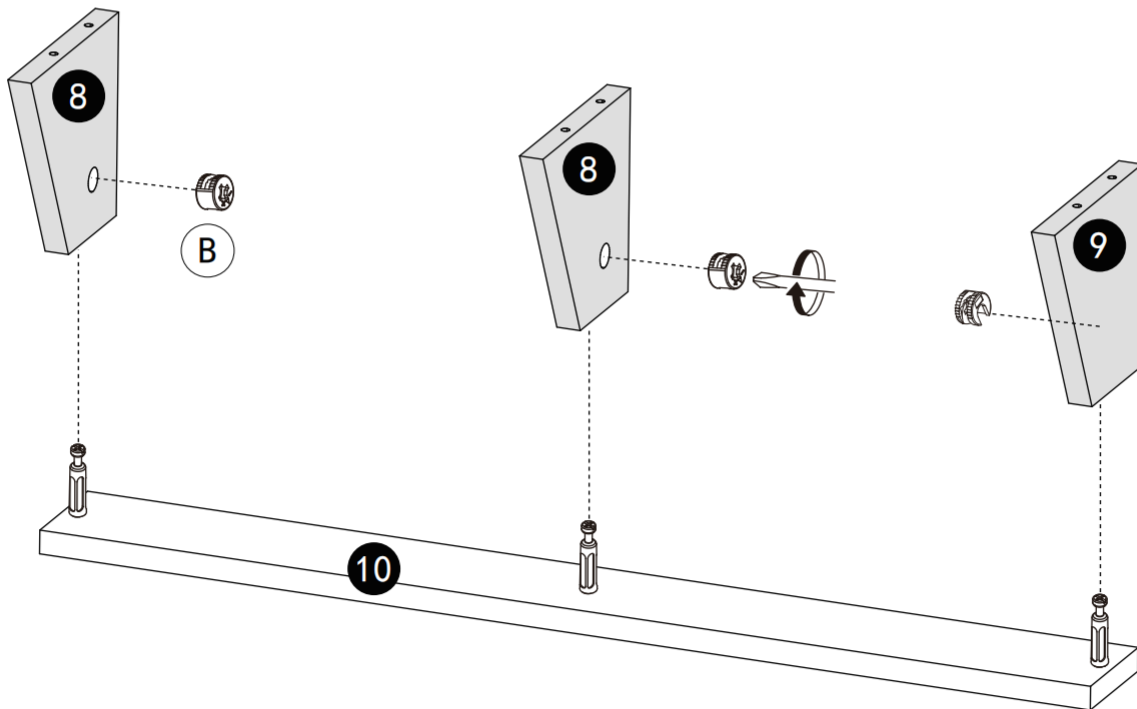
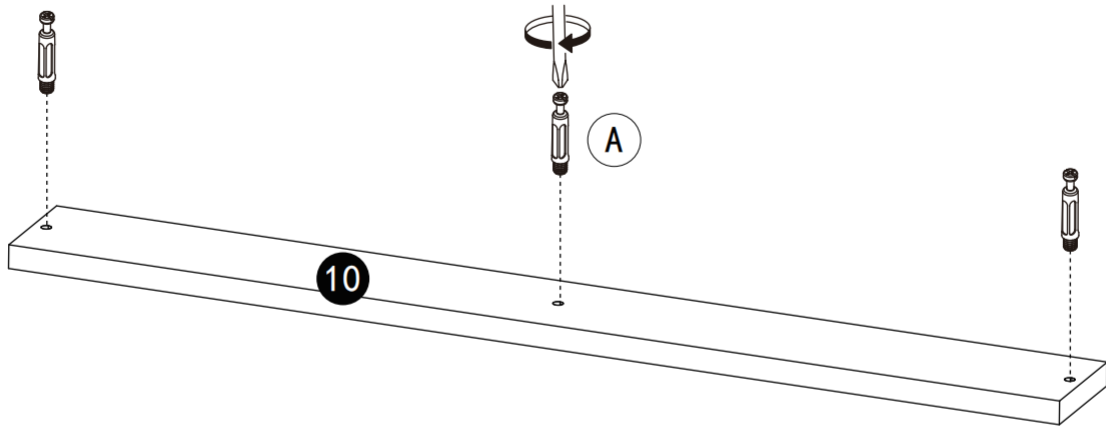
x8





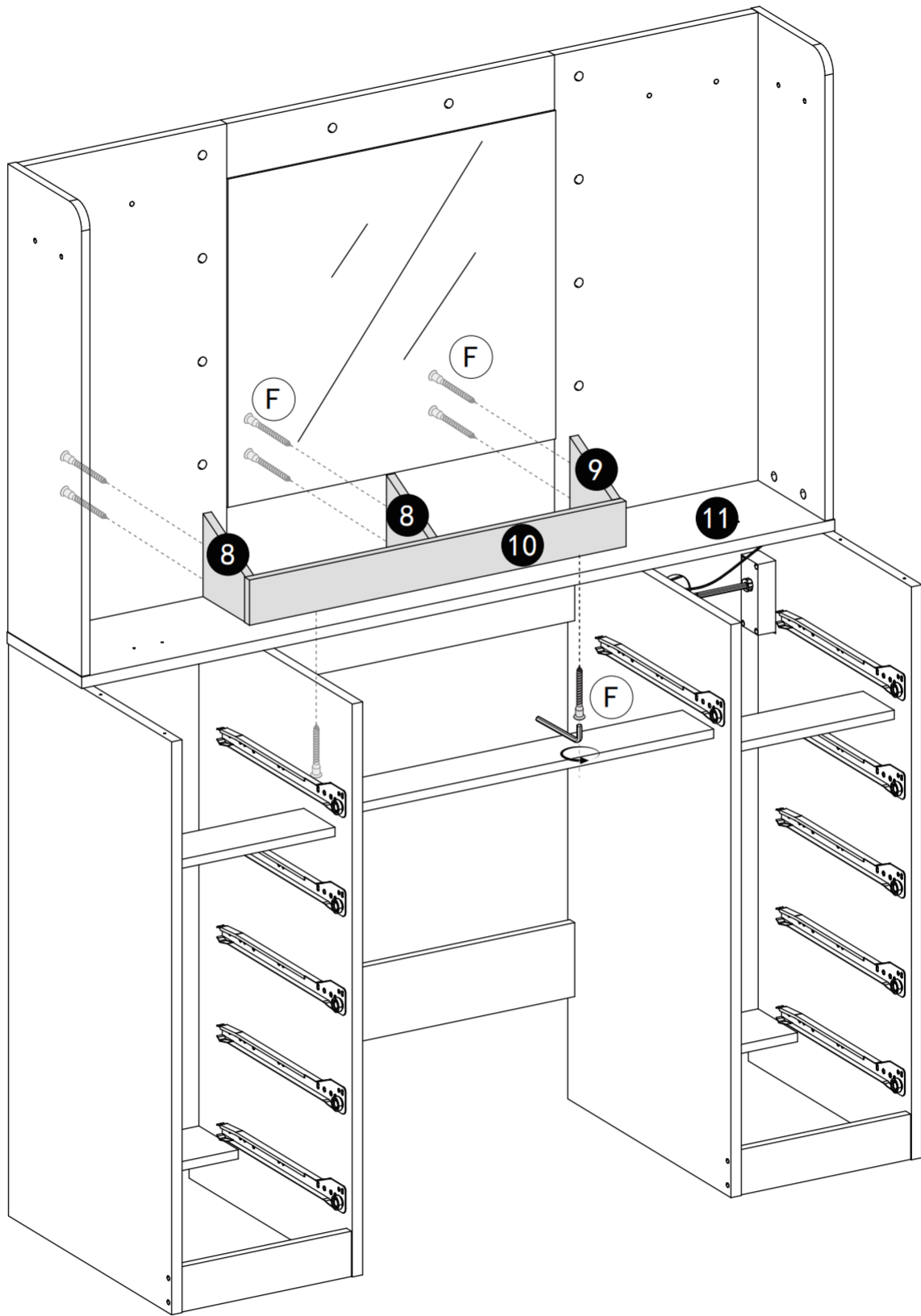
B  x2



0		x6
E		x12

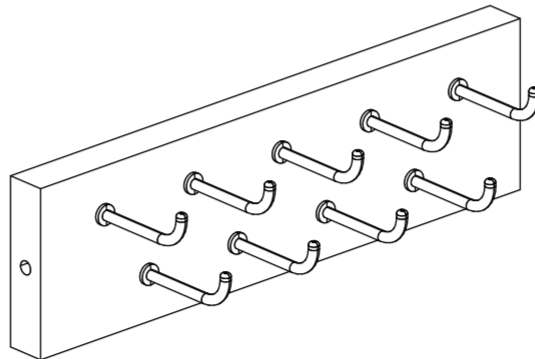
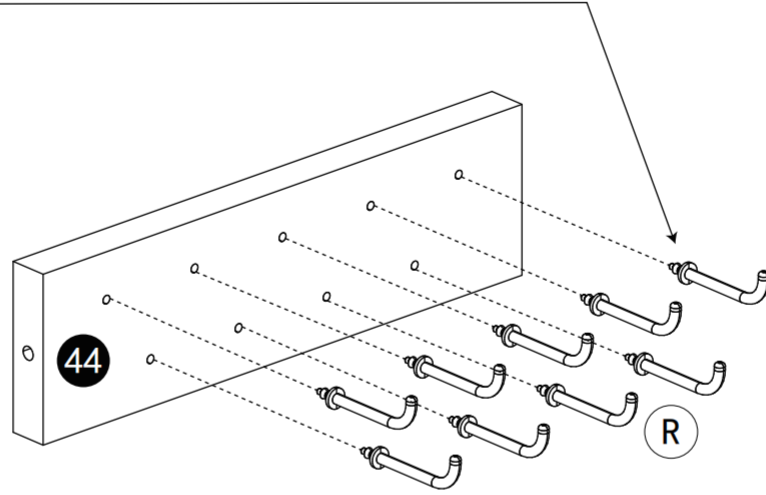



A		x3
B		x3

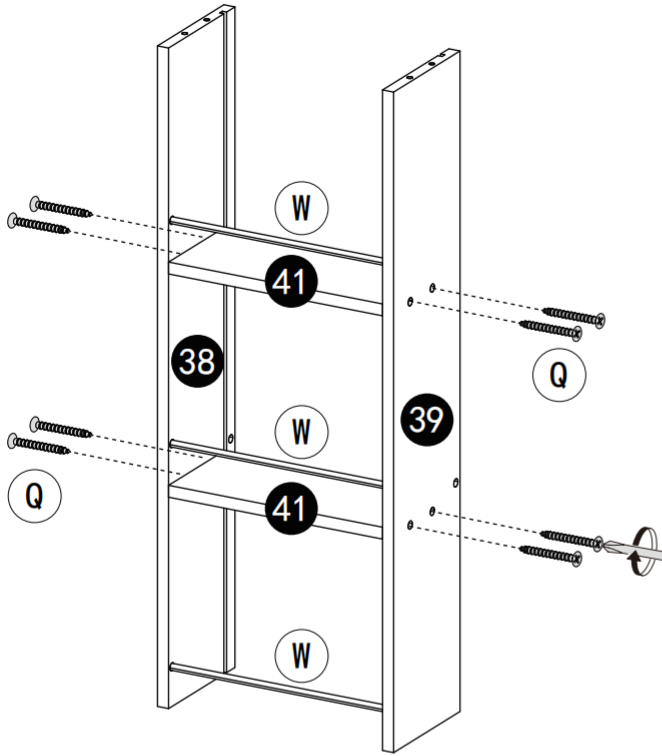


F		x8
---	---	----

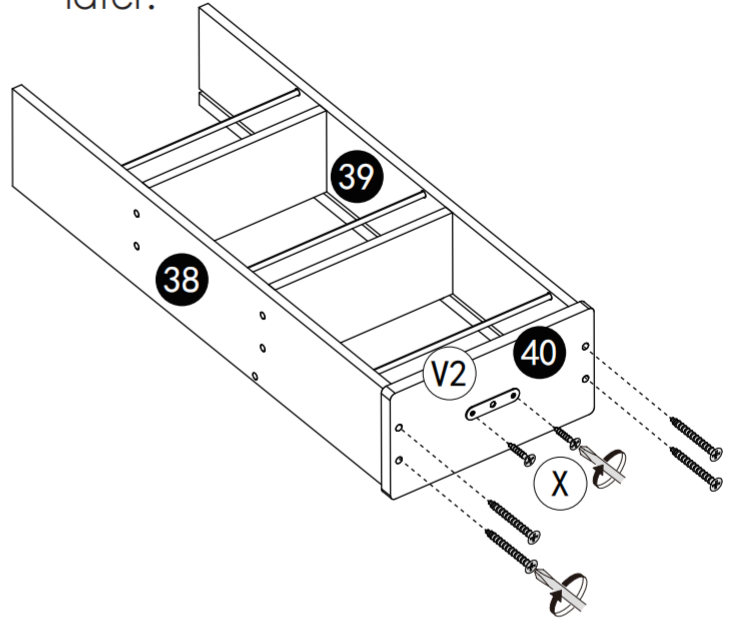
Note: Uniform hook direction



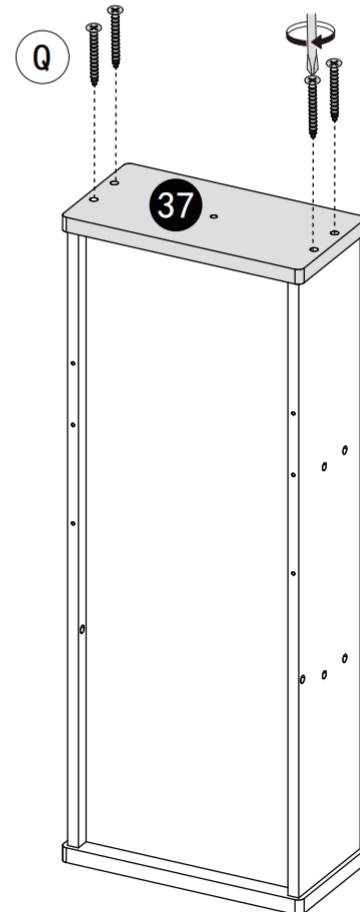
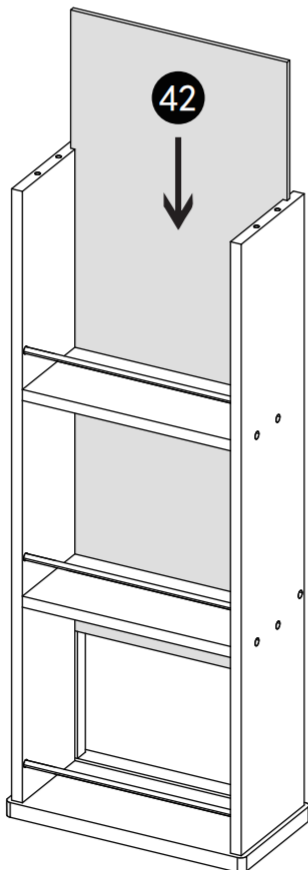
R		x18
---	---	-----



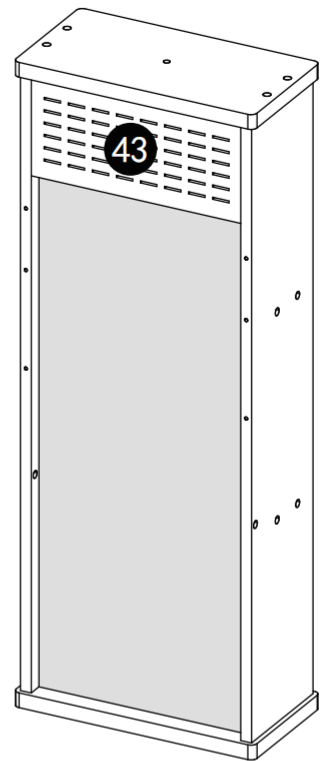
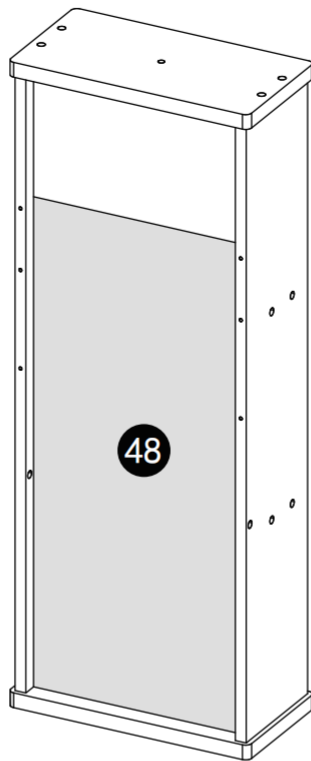
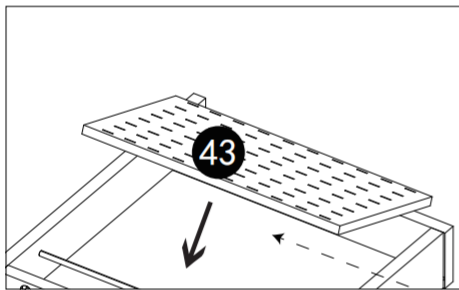
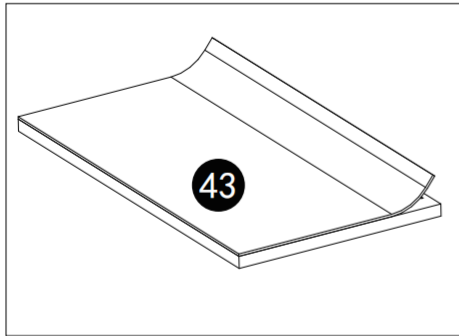
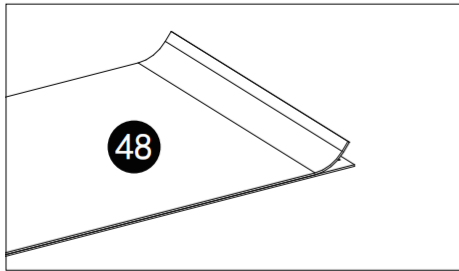
When tightening screw X, ensure metal plate V2 is in a perfectly horizontal position to prevent noise when the jewelry organizer rotates later.



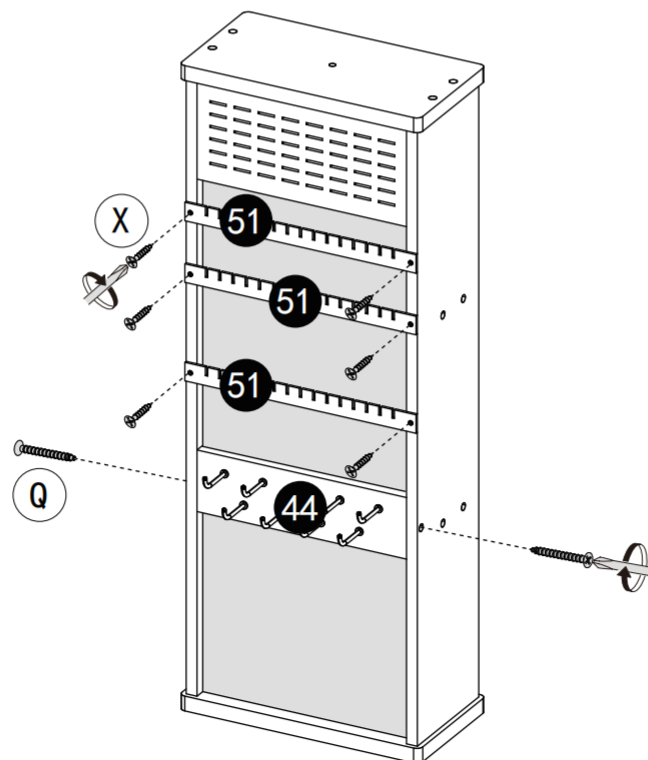
Insert the back panel gently to prevent cracking.


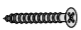


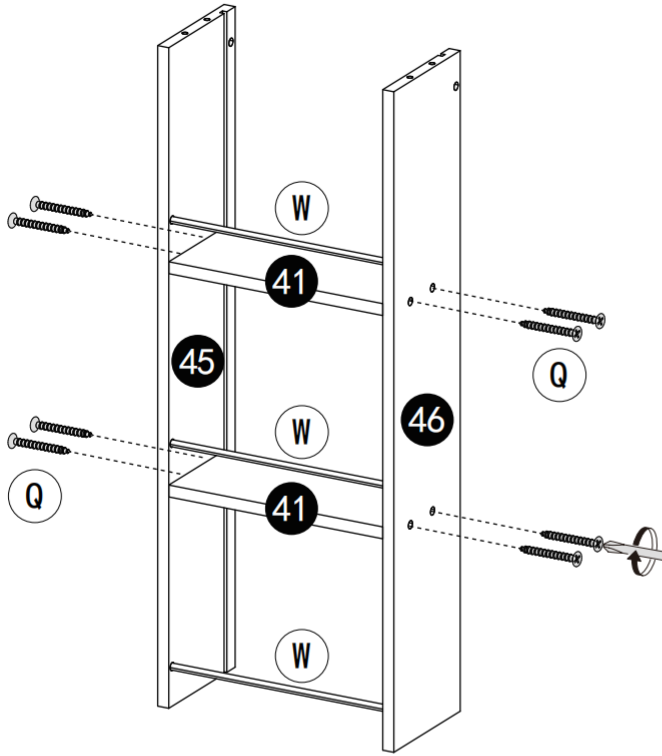
V2		x1	Q		x16
X		x2	W		x3



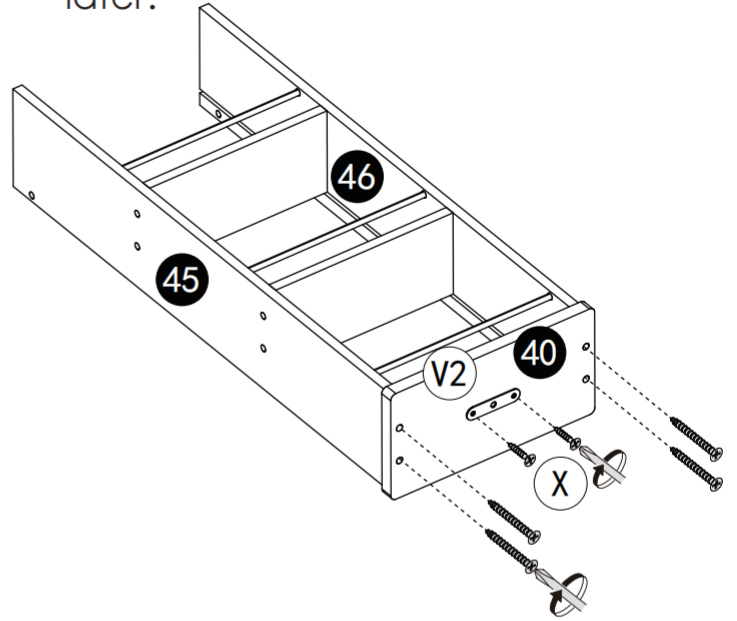
with felt side down



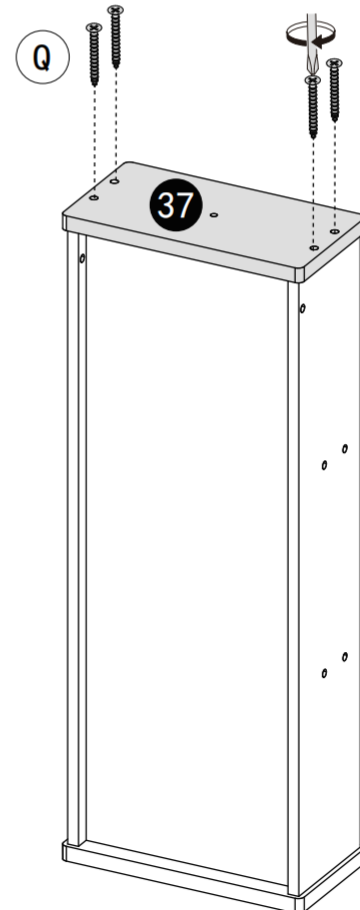
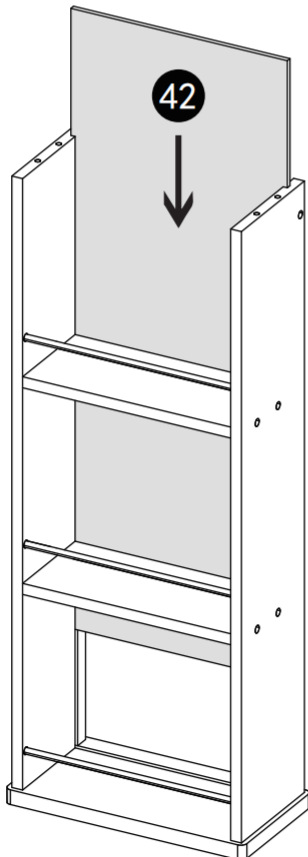
X		x6	Q		x2
---	---	----	---	---	----



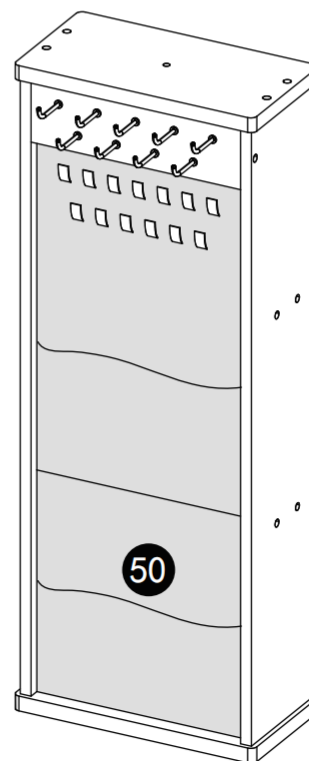
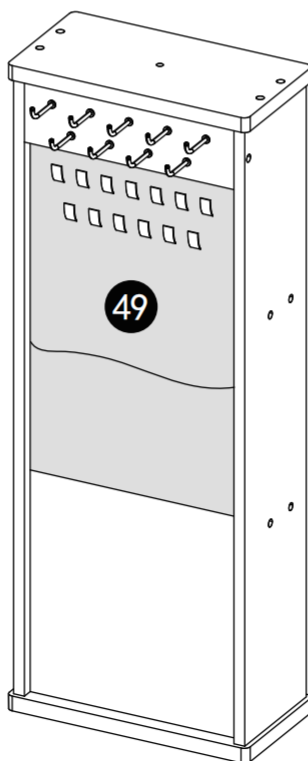
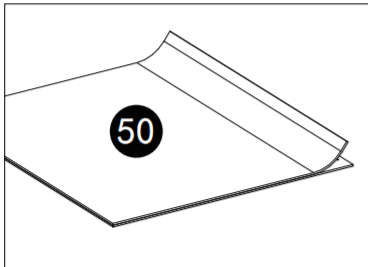
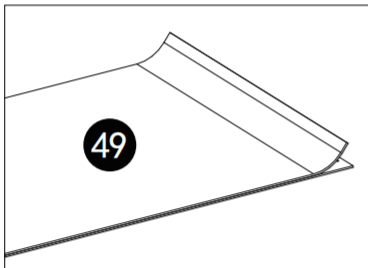
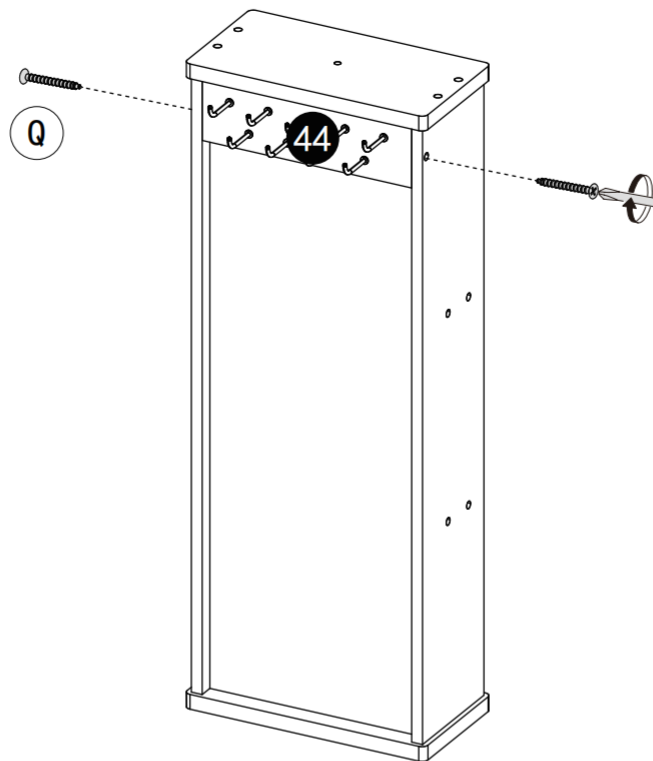
When tightening screw X , ensure metal plate V2 is in a perfectly horizontal position to prevent noise when the jewelry organizer rotates later.



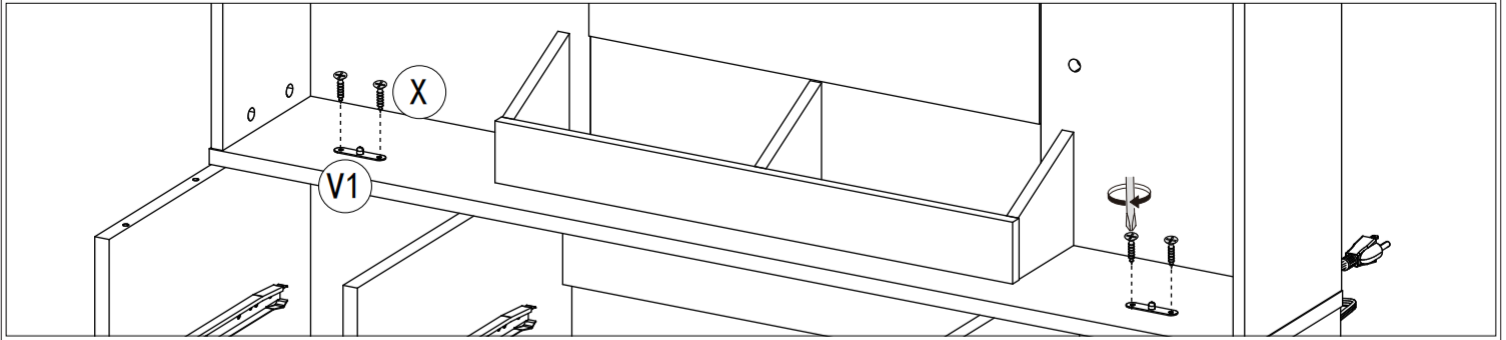
Insert the back panell gently to prevent cracking.



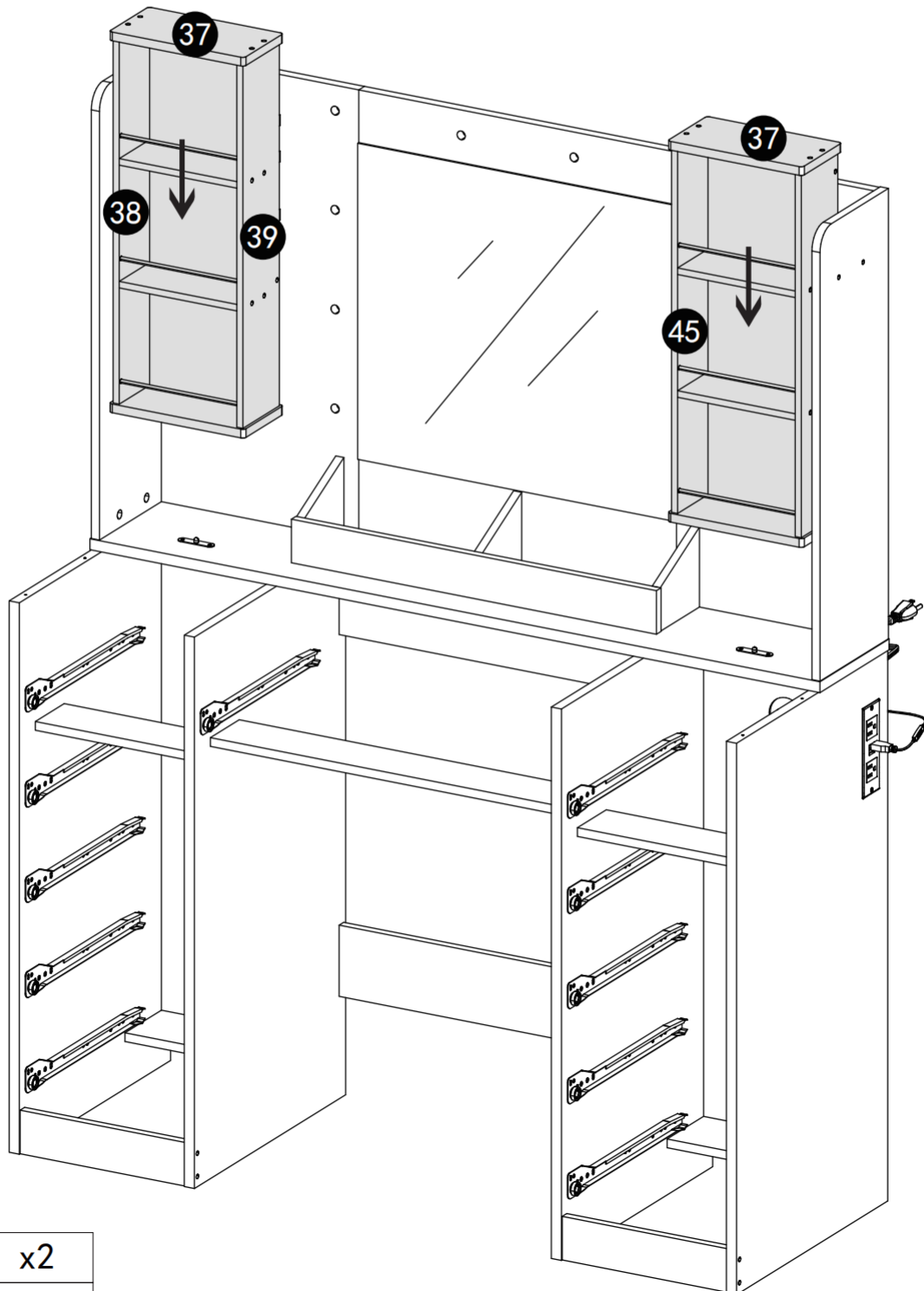
V2		x1	Q		x16
X		x2	W		x3





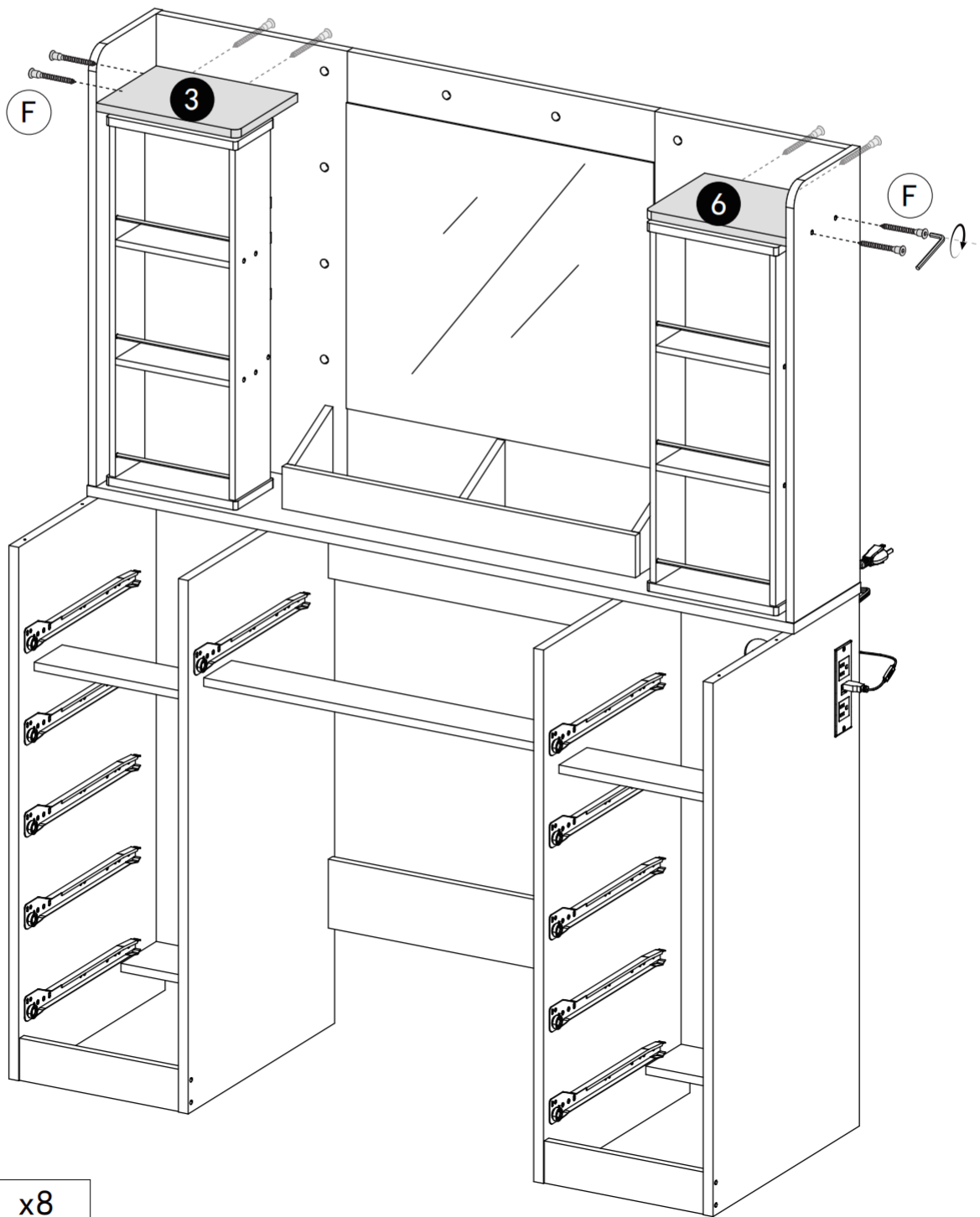
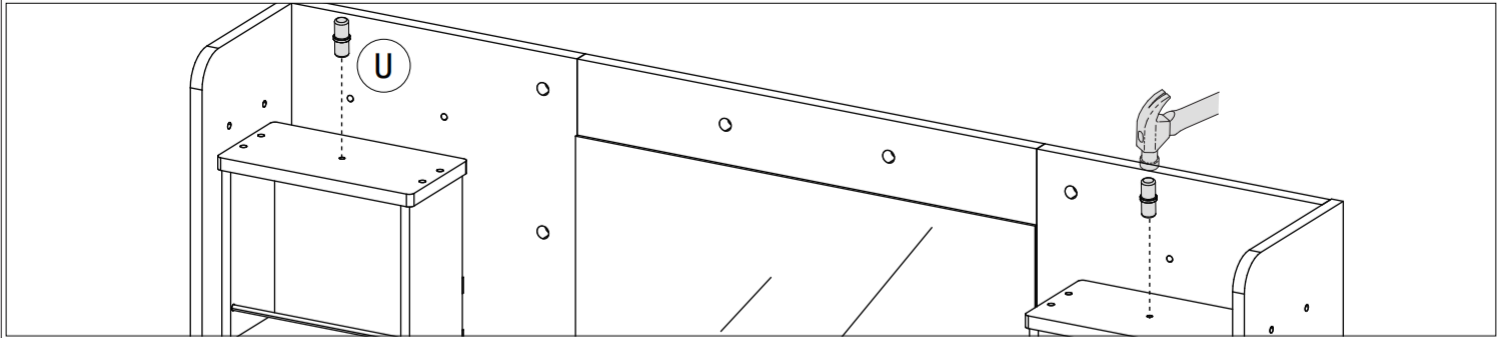
Q		x2
---	---	----





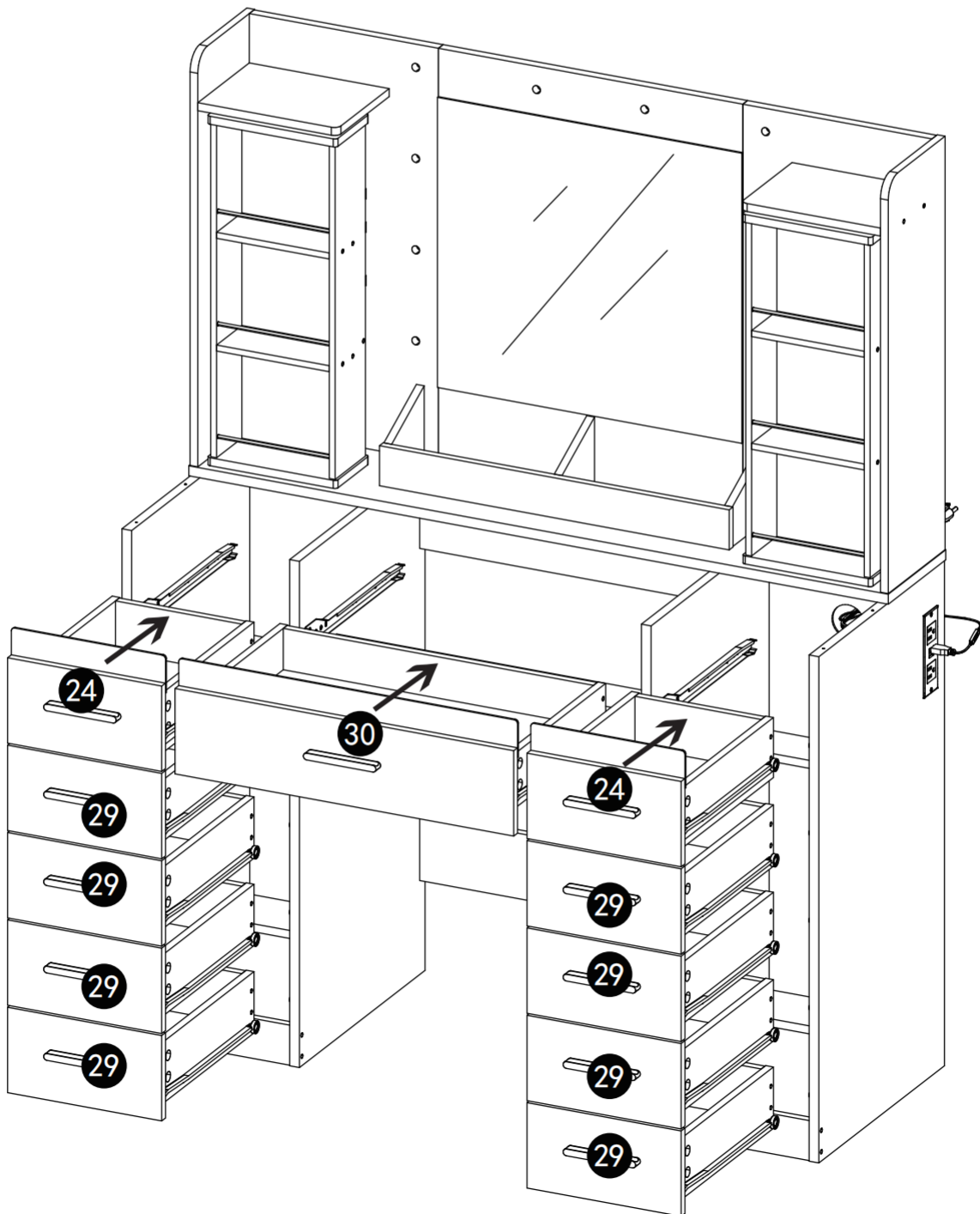
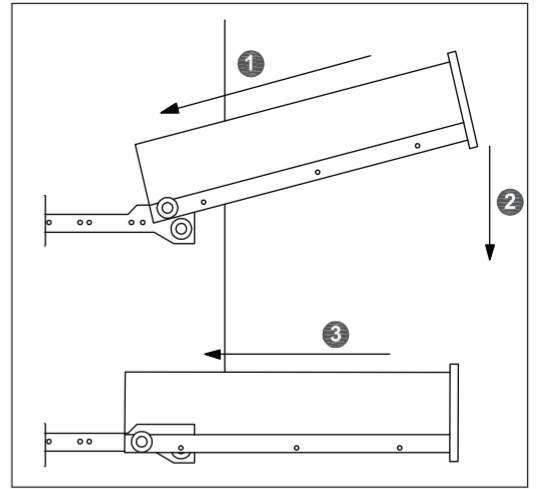
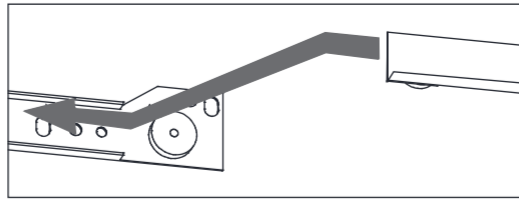
Note: When tightening screw X, ensure metal plate V1 is in a perfectly horizontal position to prevent noise when the jewelry organizer rotates later.



V1		x2
X		x4



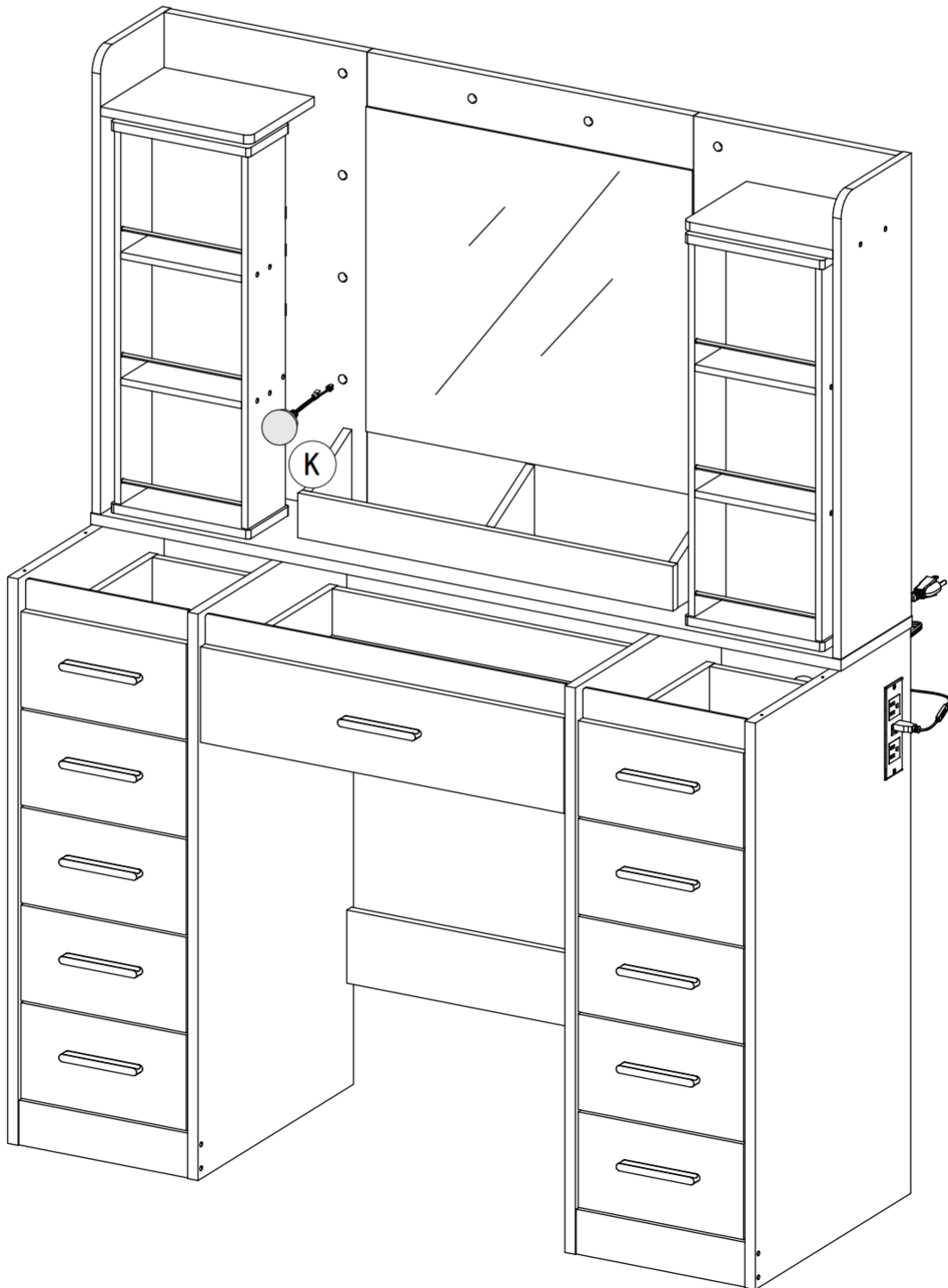
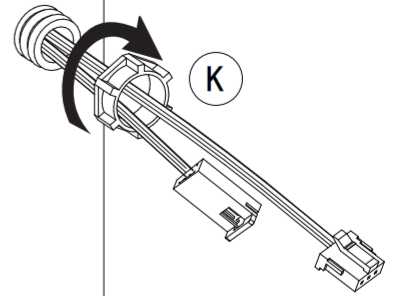
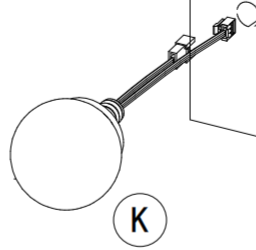
F		x8
U		x2



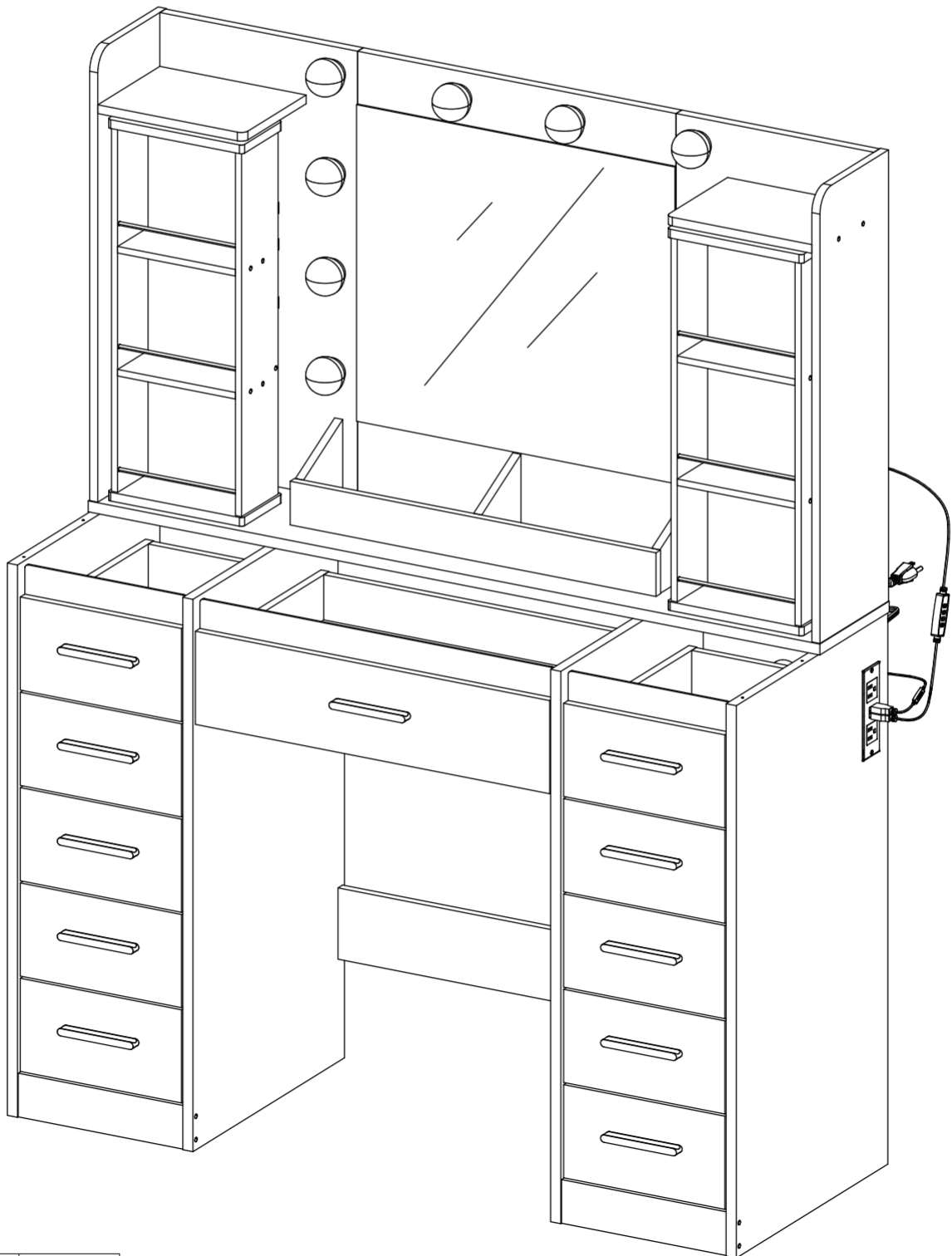
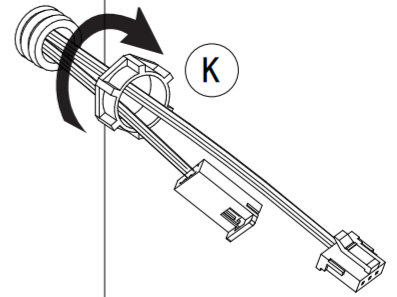
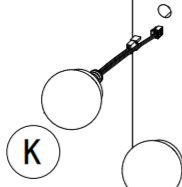


x10 PC

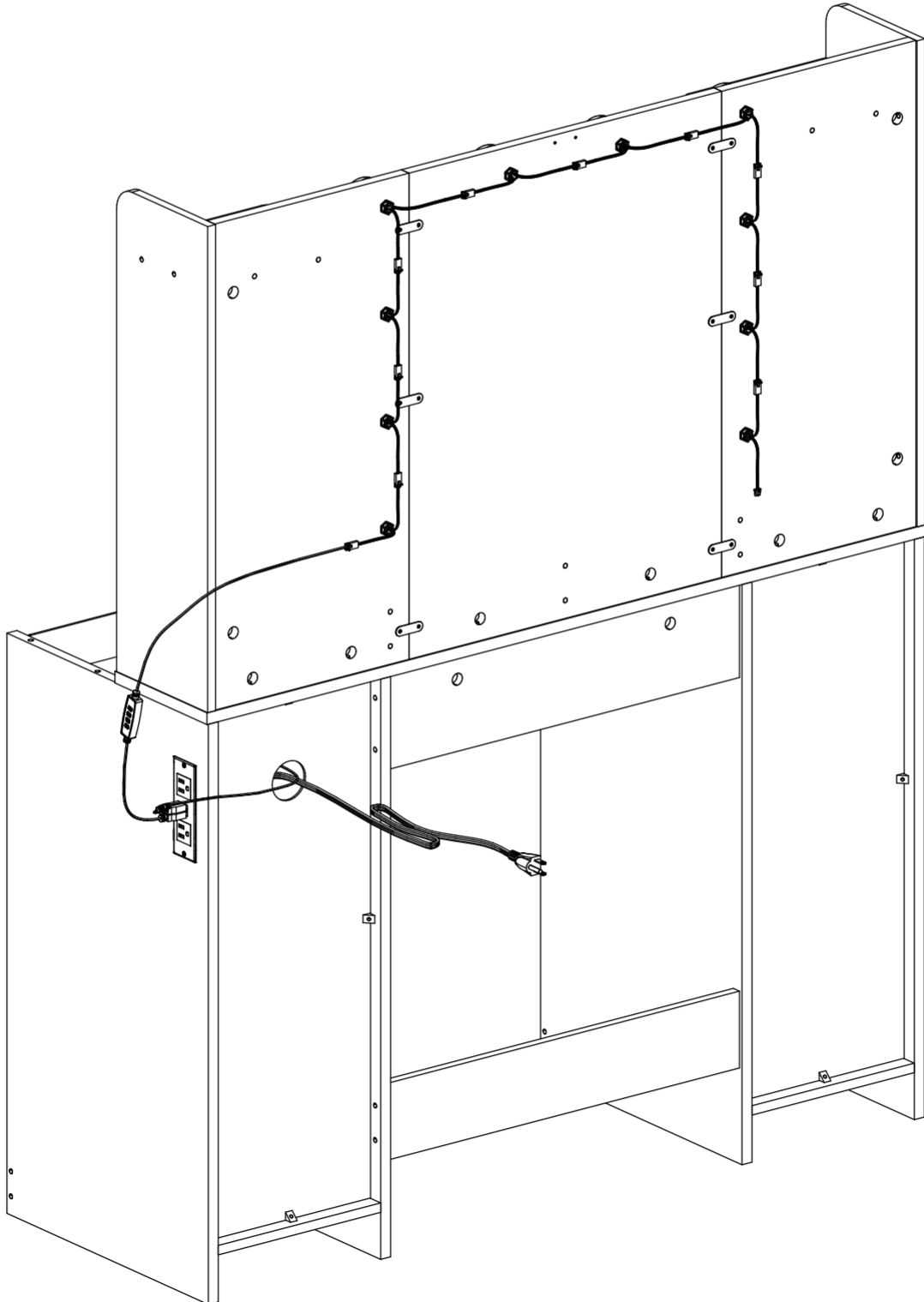
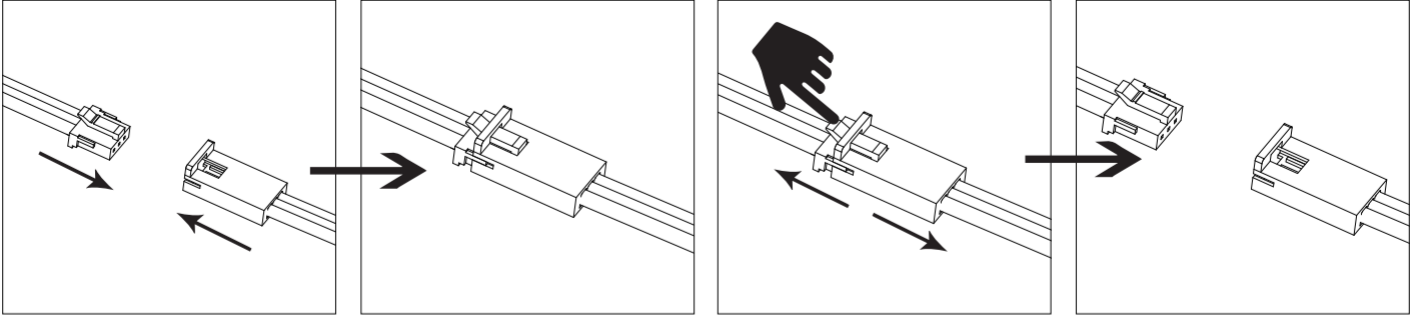
Install the
middle bulbs
(10 pcs)



34

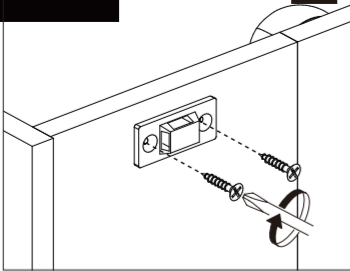


K		x1
---	---	----

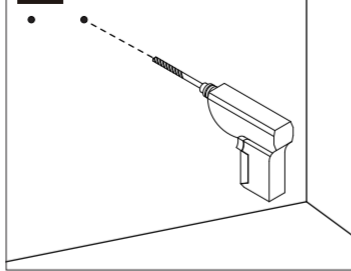


36

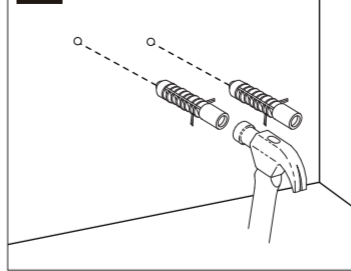
1



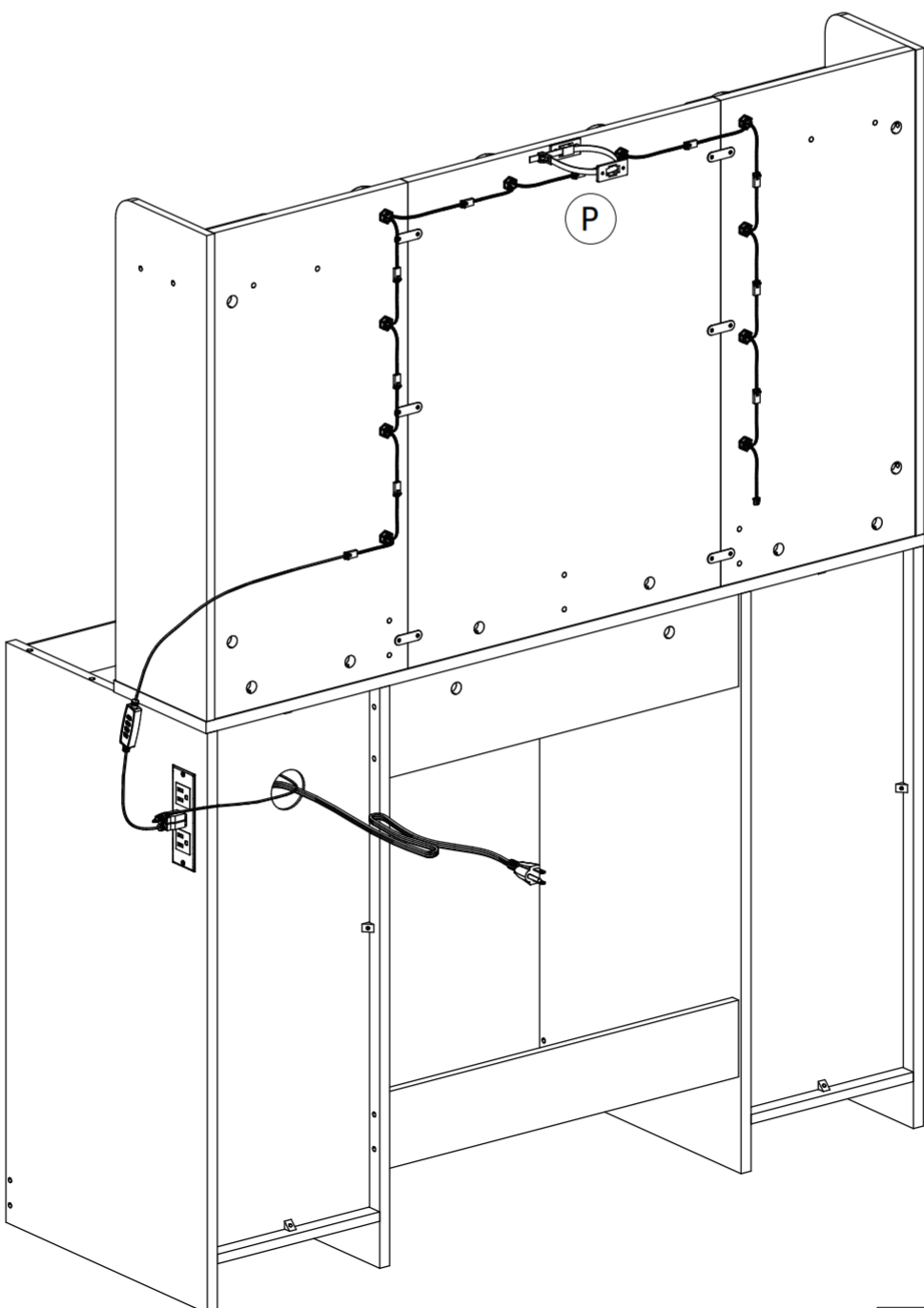
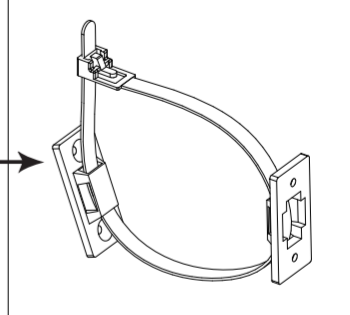
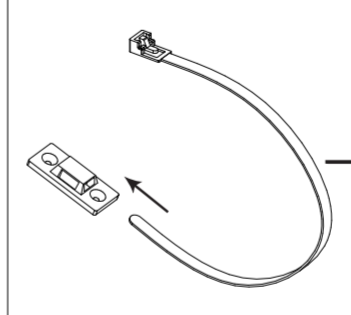
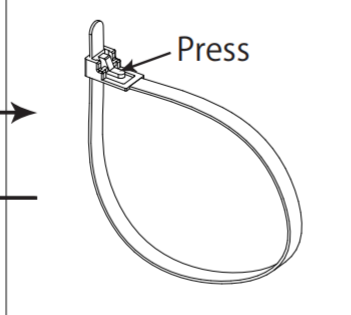
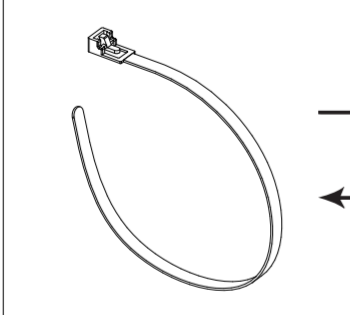
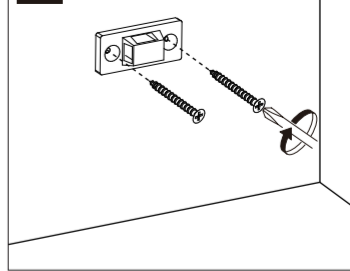
2



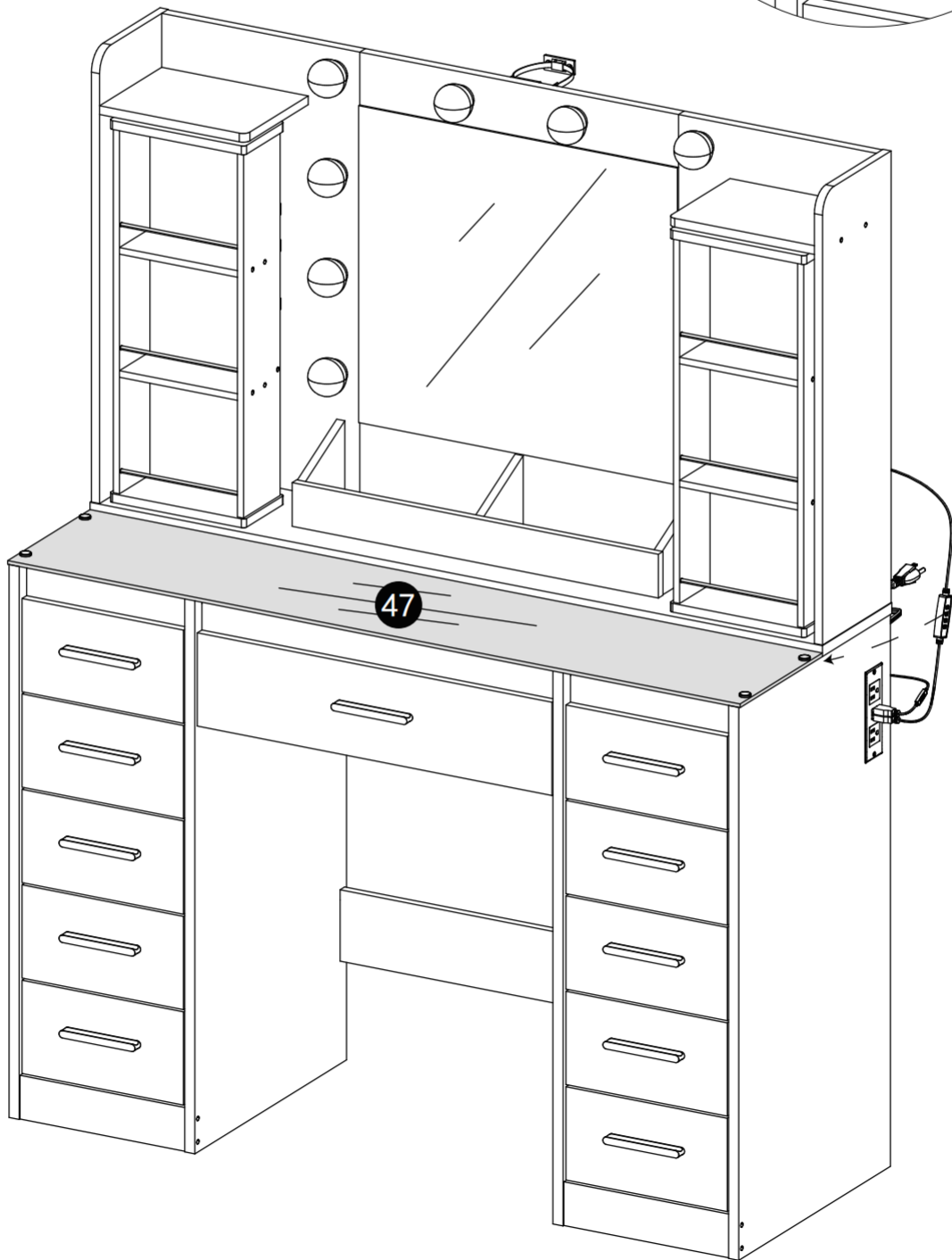
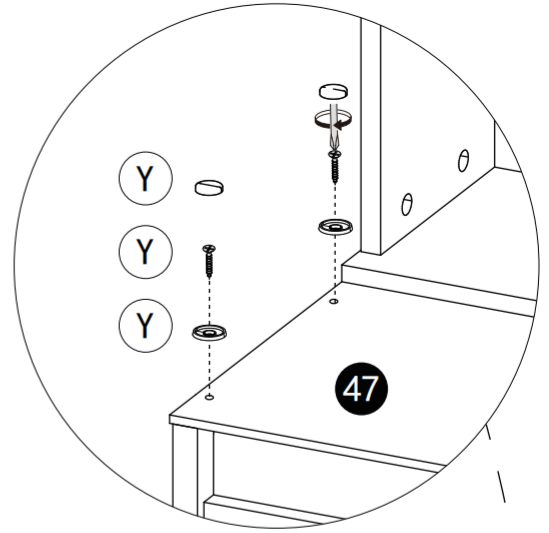
3




4



P  x1

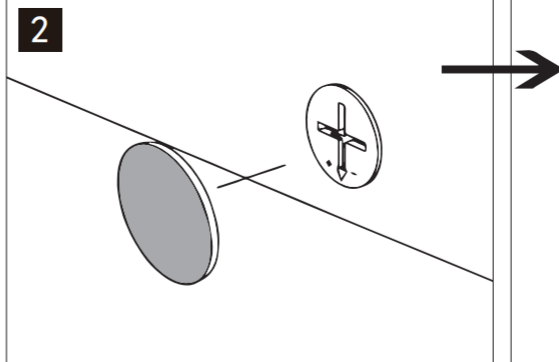
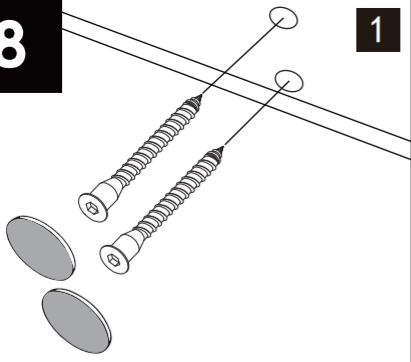


Y		x4
---	---	----

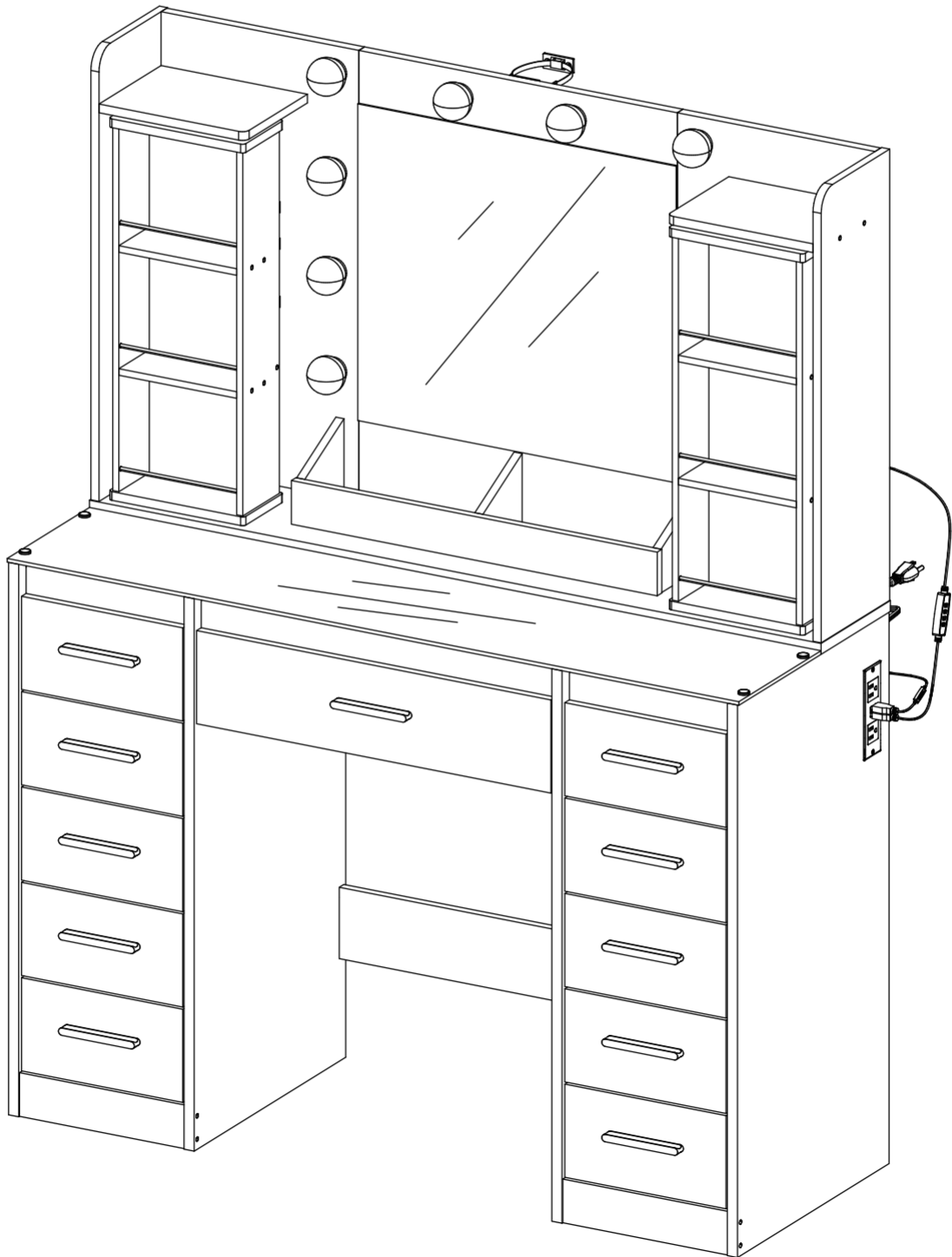
38

1

2



Used to conceal exposed screws, ensuring a neat, uniform, and visually appealing finish

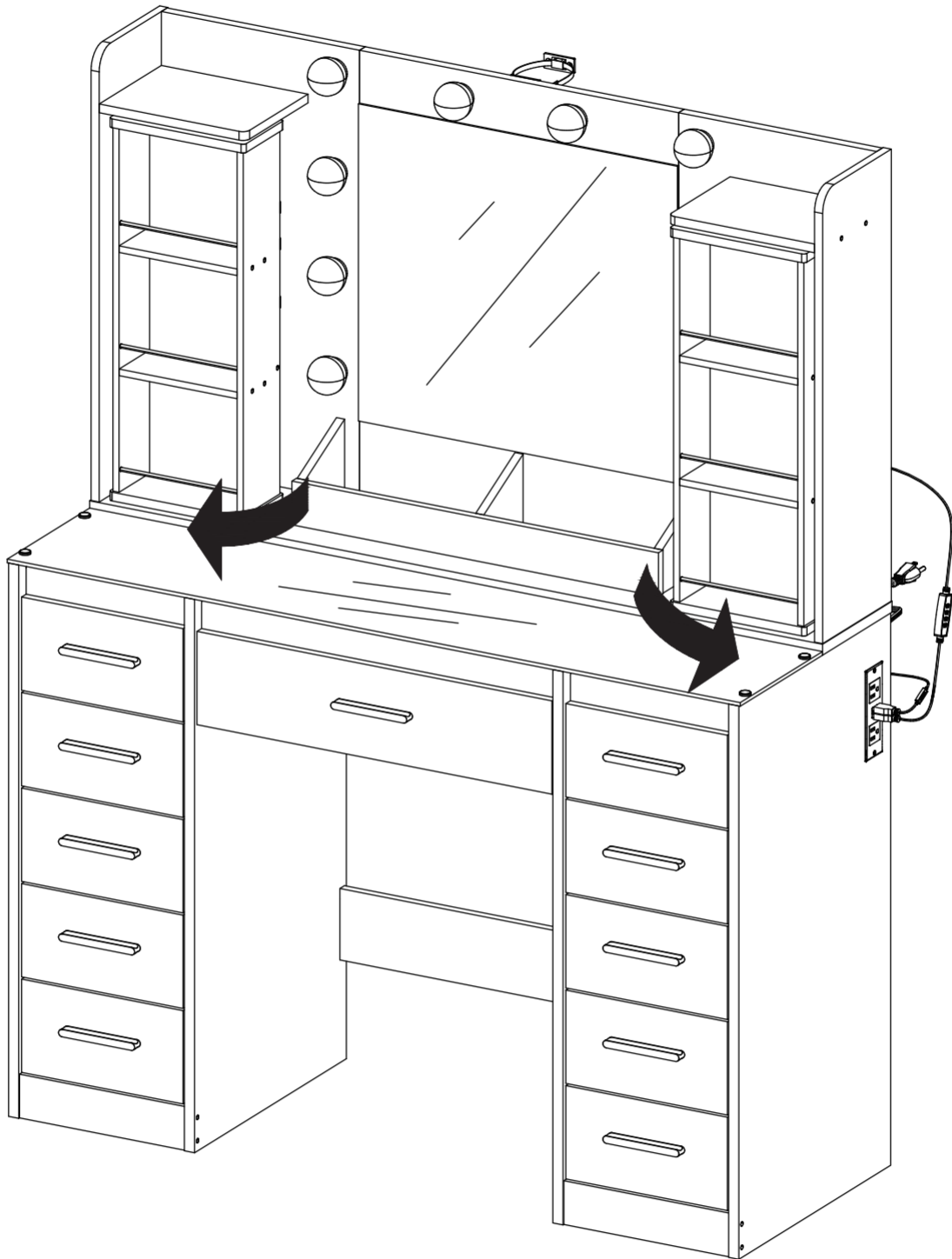


L



x20

When you rotate the jewelry organizer, If any noises exist,pls turn to step 26/28 and step 30 to know how to make adjustments.



Installation Completed