



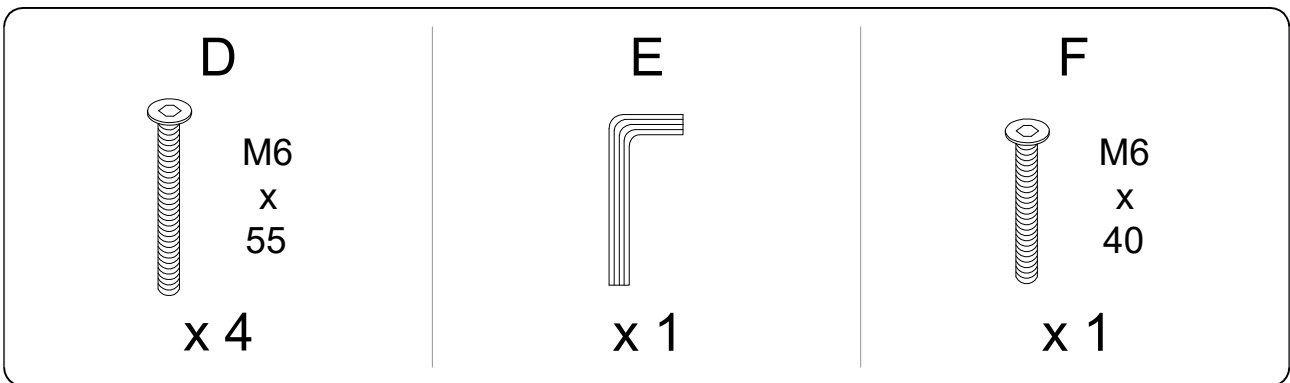
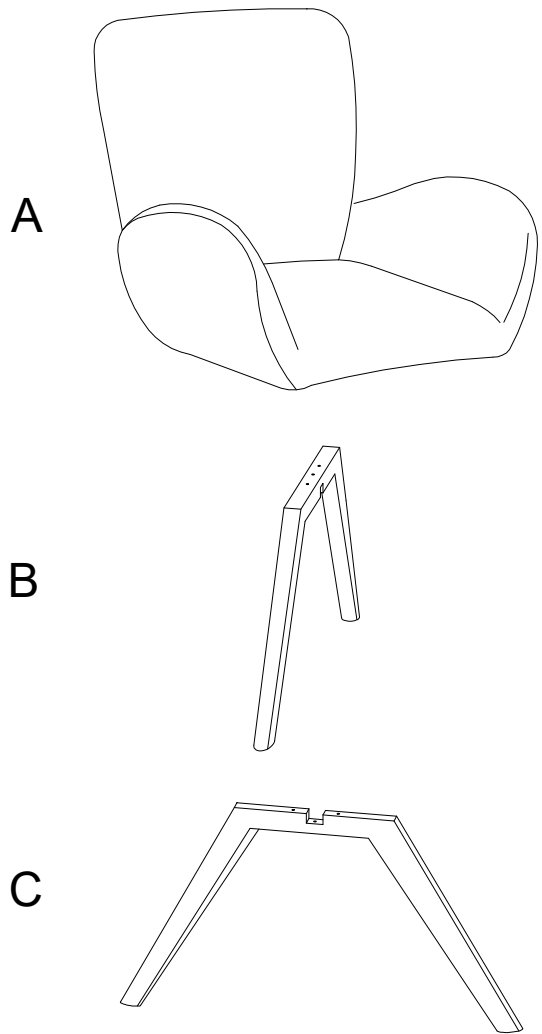
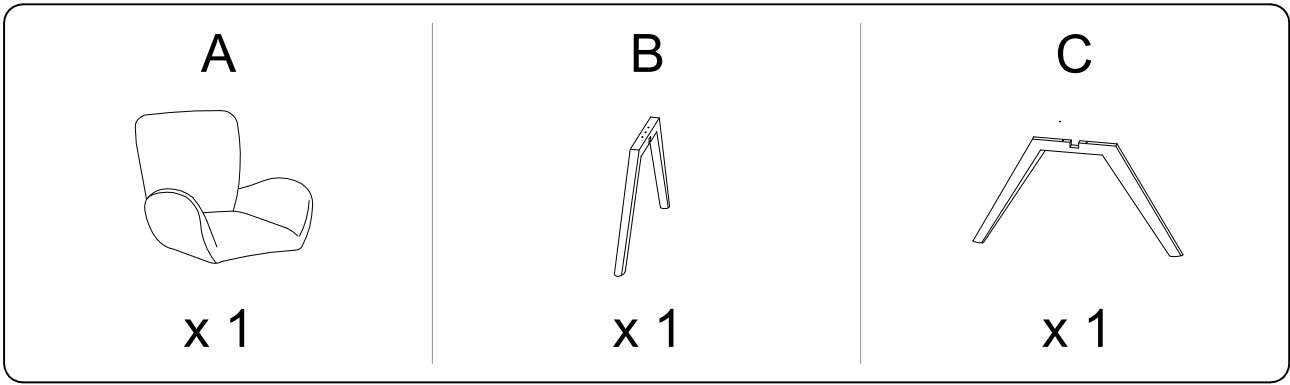
Assembly instructions for the chair, including warnings, time, and person requirements.

Warning 1: Do not use a power drill. Use an Allen key (shown in a circle) to tighten the screws.

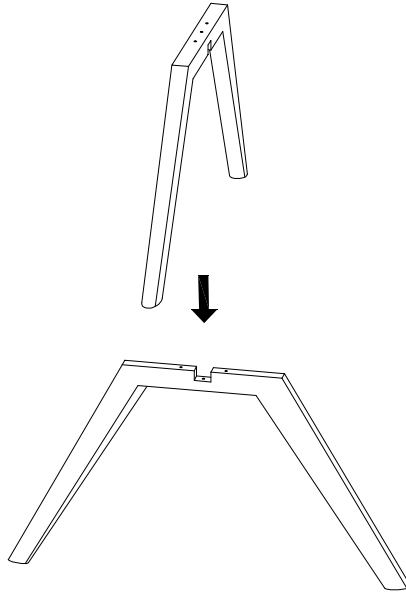
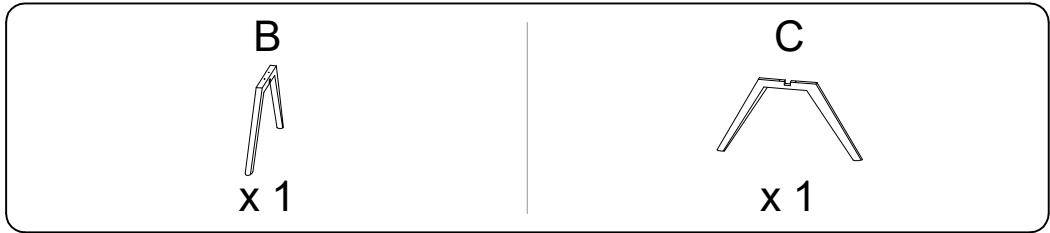
Warning 2: Do not use a power saw. Use a hand saw (shown in a circle) to cut the foam padding.

Time: 20'

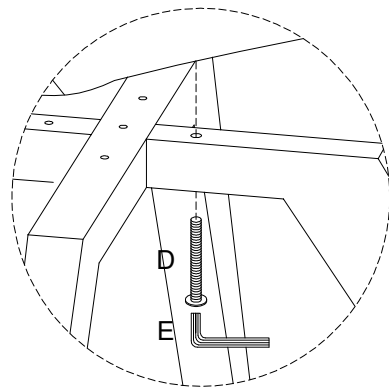
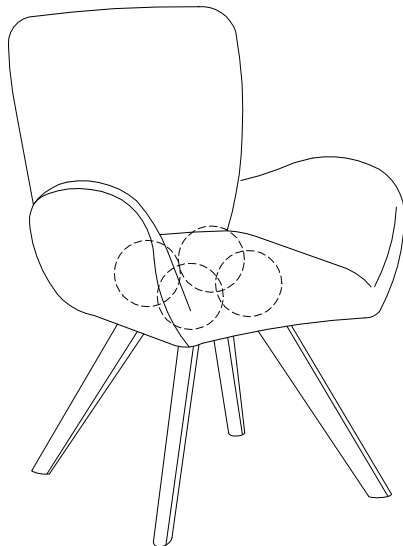
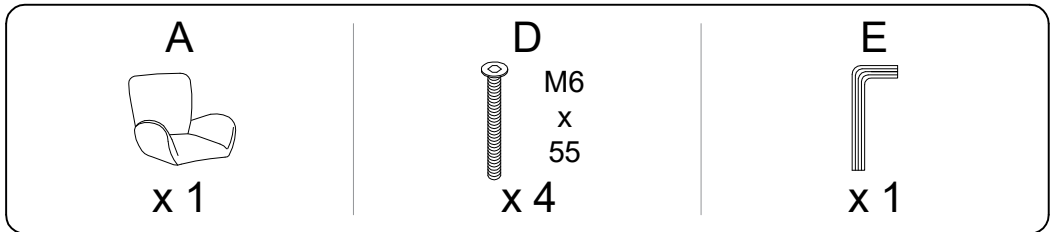
Personnel: 1



1



2



3

F
M6
x
40
x 1

