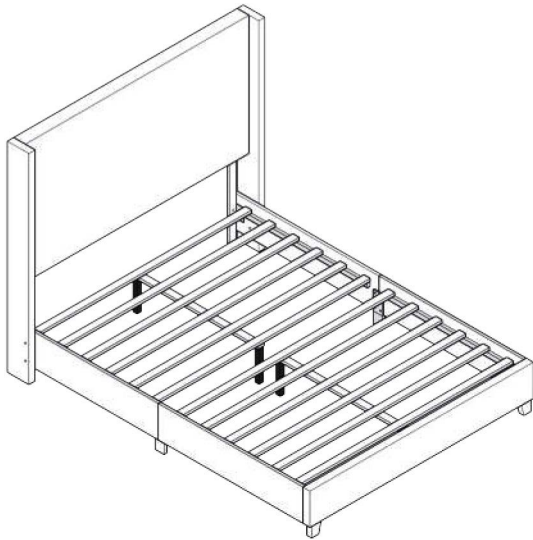


Thank you for your purchase!



UPHOLSTERED PLATFORM BED

ASSEMBLY INSTRUCTIONS

Before You Begin:

Please identify all component parts and hardware pieces required before you begin. Carefully remove all of the components from the packaging and set aside for assembly. Assemble on a soft surface to prevent scratching during assembly.

Caution:

Tighten all components securely before use. Failure to do so may result in personal injury.

DO NOT use any sharp objects to open plastic wrapped components as damage to product or components may result.

Warning:

CHOKING HAZARD - Small Parts. Adult Assembly Required.

Injury may result from tipping furniture. You must install the Tipping Restraint Hardware with the unit to prevent the unit from tipping and causing any accidental injury, instability, death or damage. The tipping restraint is intended only as a safety measure, it is not a substitute for proper adult supervision.

This tipping restraint is not an earthquake restraint. If you wish to add the extra security of earthquake restraints, they must be purchased and installed separately.

Serious or fatal crushing injuries can occur from furniture tipping over. To prevent furniture from tipping over it must be permanently fixed to the wall. Fixing devices for the wall are not included since different wall materials require different types of fixing devices. Use fixing devices suitable for the walls in your home

Failure to detach this restraint before moving furniture may result in injury or damage.

DO NOT ALLOW CHILDREN TO CLIMB ON FURNITURE



Congratulations!

You just purchased a piece of happiness, we believe you can transform your spaces into the most inspired places with furnishings that are the perfect combination of form, function and style. As original innovators of online furniture retail, we offer the best selection of popular, contemporary styles at cool, comfortable prices. And, with decades of proven shipping and packaging expertise, our Extended Quality Checklist ensures a rewarding, hassle-free experience time and time again. It's just what you need to bring your vision to life.

Thank you & Enjoy!!



LIKE IT!

*Share it on social
& Tell a friend!
#Spaces2Places*



LOVE IT!

*Write an online
product review
where purchased*



NOT SURE?

*Let us help!
Contact our
customer support.*



We pride ourselves on providing an excellent customer experience starting right here with your package and instructions. Everything you need should be right where you need it, so you can get to enjoying your new item ASAP.

EVERY PRODUCT



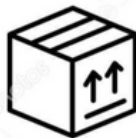
Quality &
Durability Tested



Packaged
with Care



Shipped from
our Facility



Designed
for Easy
Assembly

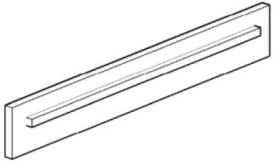


Ethically
Sourced

Read this manual before using this product. Failure to follow the instructions and safety precautions in this manual can result in serious injury or death. Keep this manual in a safe location for future reference.

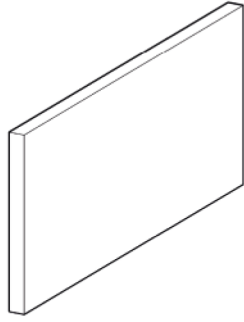
Part

Part 1: Left & Right Side Rails



4 pcs

Part 2: Headboard



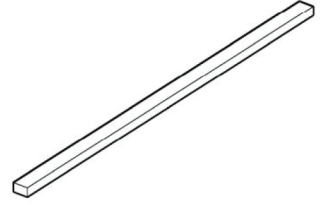
1pc

Part 3: Footboard Legs



2pcs

Part 4: Headboard Legs



2pcs

Part 5: Left & Right Side Legs



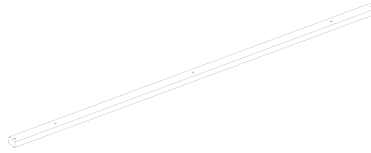
2pcs

Part 6: Center Legs



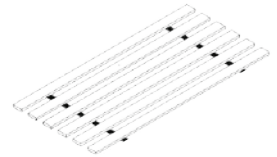
4pcs

Part 7: Center Rail



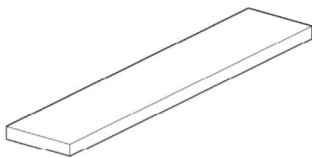
2pcs

Part 8: Support Slats



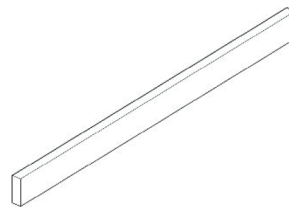
2pcs

Part 9 : Footboard



1pc

Part 10: Headboard Wings



2pcs

Hardware

NOTE: Phillips Screwdriver Required (Not Included)



M8 x 35mm

Part A 10pcs



M8 x 1mm Large Lock Washer

Part B 10pcs



M8 x 1mm Large Flat Washer

Part C 10pcs



M6 x 23mm Height
Adjustable Glides

Part D 10 pcs



M8 x 20mm Screw

Part E 8pcs



M6 x 45 mm Screw

Part F 4pcs



M6 x 50mm Screw

Part G 4pcs



M6 x 25mm Screw

Part H 8pcs



M30
Self Tapping Screw

Part I 8pcs



M6 x 1mm
Small Lock Washer

Part J 12pcs



M6 x 1mm Small Flat
Washer

Part K 12pcs



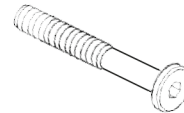
M4 x 95mm
Small Allen Wrench

Part L 1pc



M5 x 95mm
Large Allen Wrench

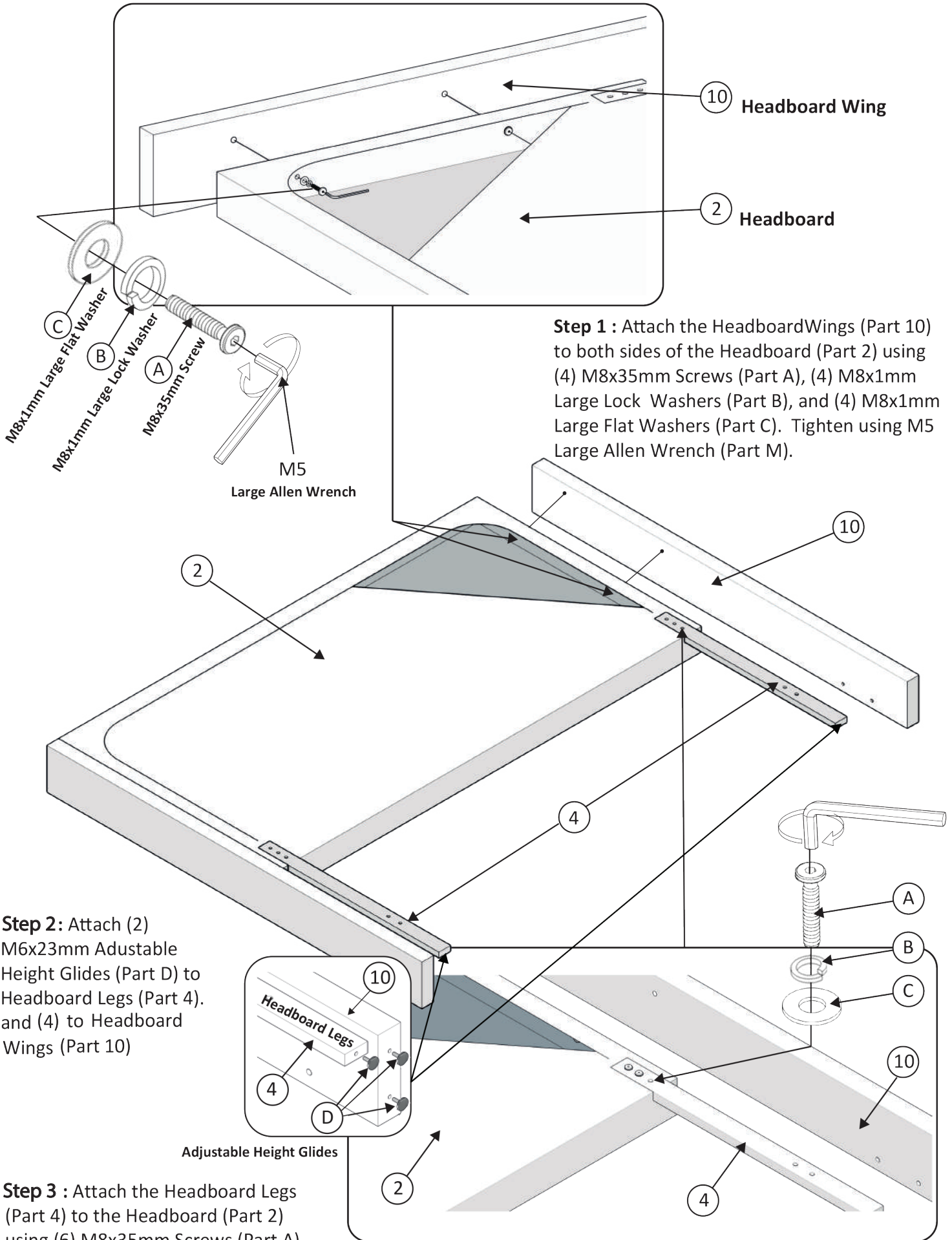
Part M 1pc



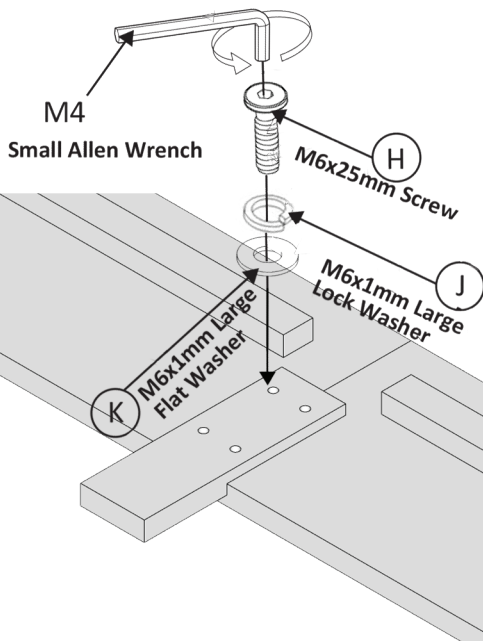
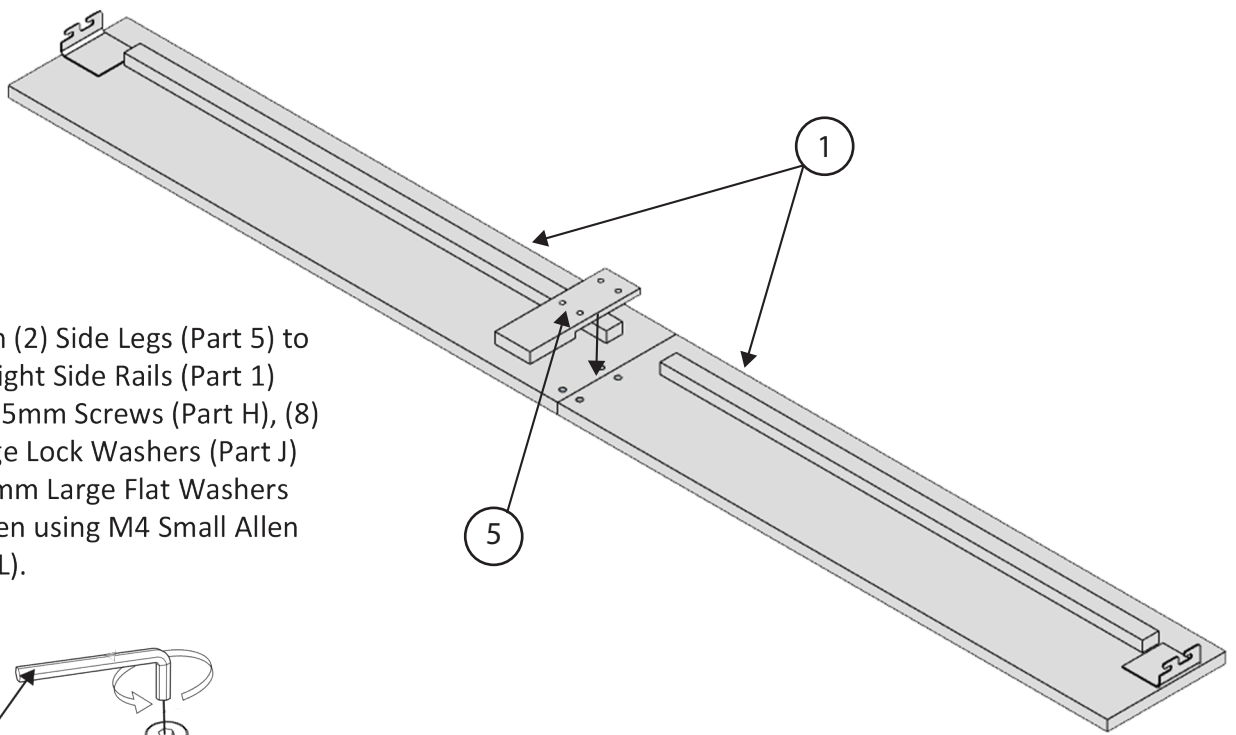
M6 x 70 mm Bolt

Part N 2pcs

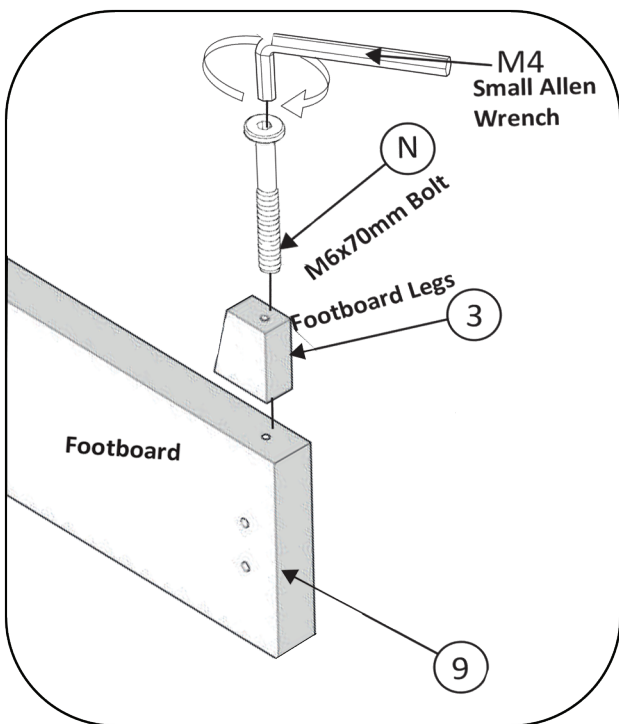
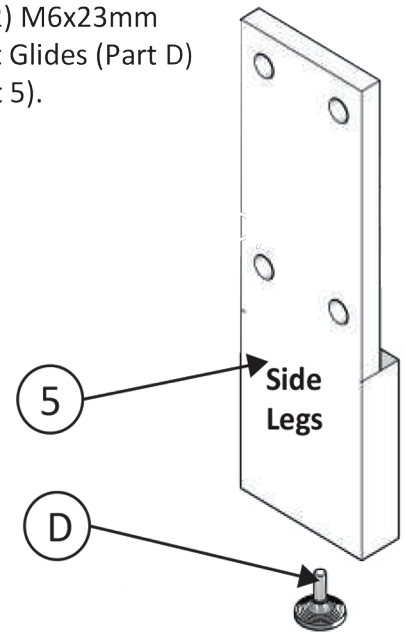
NOTE: Unzip liner to access screw holes.



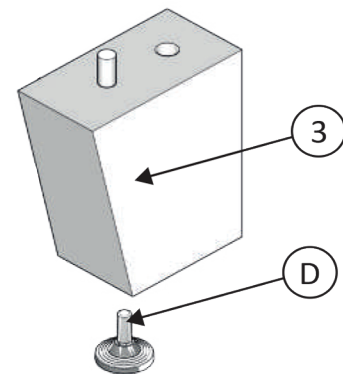
Step 4: Attach (2) Side Legs (Part 5) to the Left and Right Side Rails (Part 1) using (8) M6x25mm Screws (Part H), (8) M6x1mm Large Lock Washers (Part J) and (8) M6x1mm Large Flat Washers (Part K). Tighten using M4 Small Allen Wrench (Part L).



Step 5: Attach (2) M6x23mm Adjustable Height Glides (Part D) to Side Legs (Part 5).



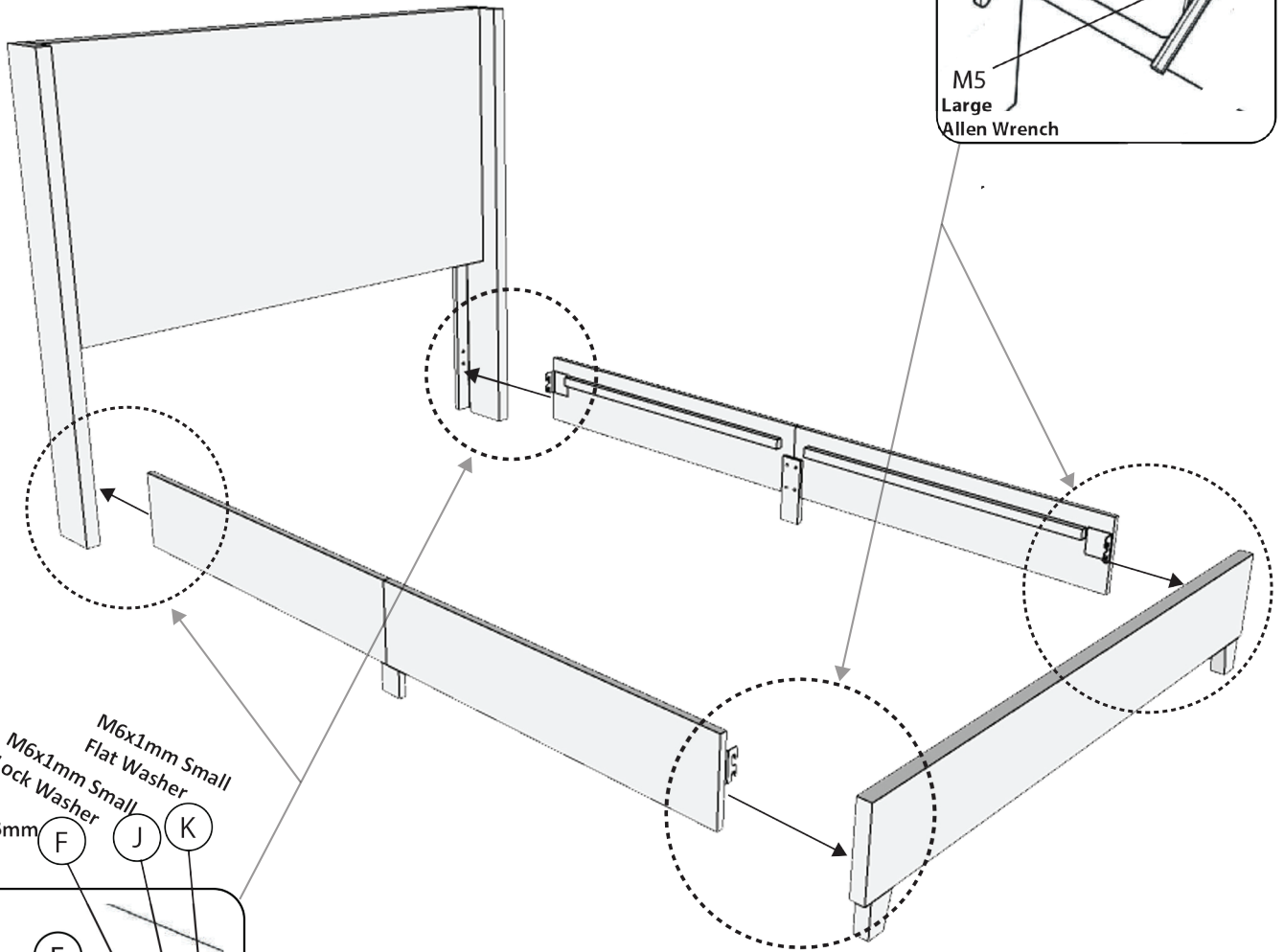
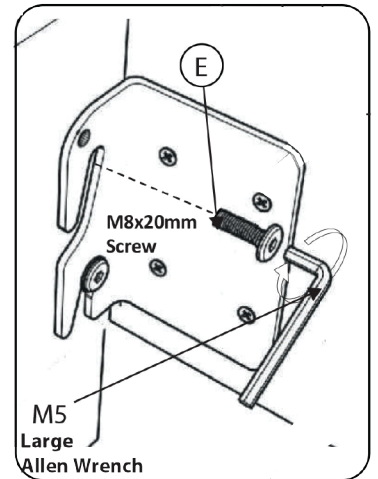
Step 6: Attach Footboard Legs (Part 3) to Footboard (Part 9) using (2) M6x70mm Bolts (Part N). Tighten using M4 Small Allen Wrench (Part L).



Step 7: Attach (2) M6x23mm Adjustable Height Glides (Part D) to Footboard Legs (Part 3).

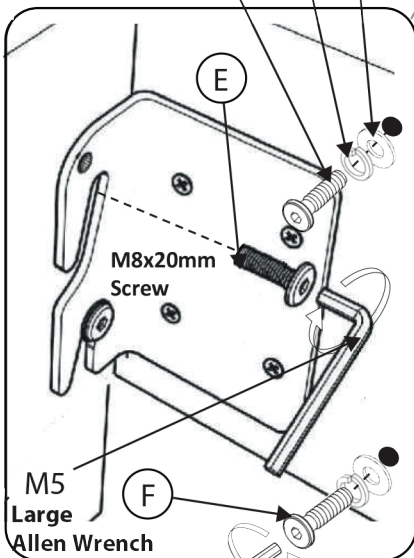
Step 8 : Attach the Left and Right Side Rails (Part 1) to the Headboard Legs (Part 4) using (4) M8x20mm Screws (Part E). Tighten using M5 Large Allen Wrench (Part M).

Step 9 : Attach Left and Right side Rail to Foot board (Part 9) using (4) M8x20mm Screws (Part E). Tighten using M5 Large Allen Wrench (Part M)



M6x1mm Small Flat Washer
M6x1mm Small Lock Washer
M6x45mm Screw

F J K

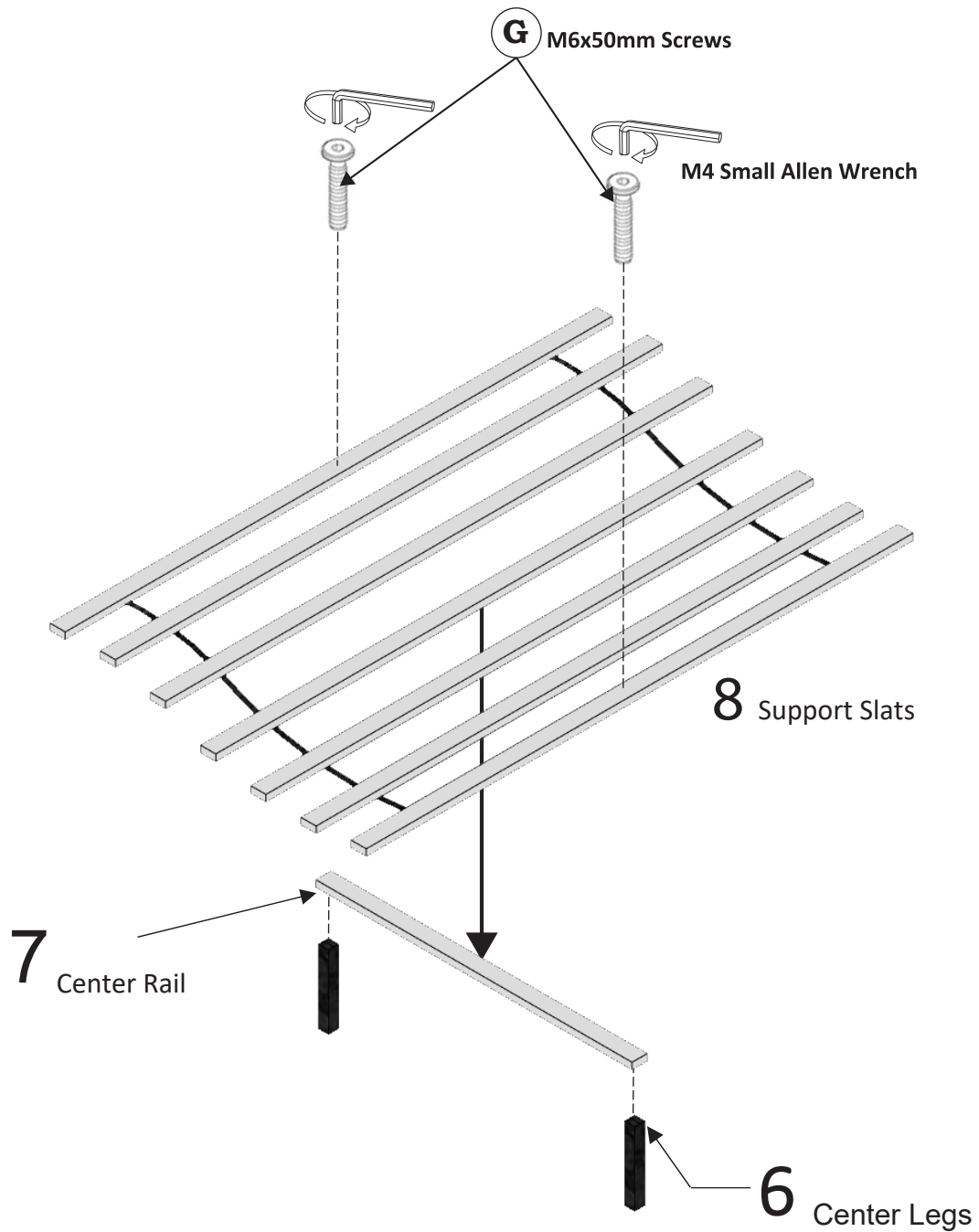


Step 10 : Attach Left and Right Side Rails to Headboard Wings using (4) M6x45mm Screws (Part F), (4) M6x1mm Small Lock Washers (Part J) and (4) M6x1mm Small Flat Washers (Part K). Tighten using M4 Small Allen Wrench (Part L).

M4
Small Allen Wrench

Step 11: Insert (4) M6x50mm Screws (Part G) through the Support Slats (Part 8) and the Center Rails (Part 7) and attach to the Center Legs (Part 6). Tighten using M4 Small Allen Wrench (Part L).

Note : Fabric steaps on the support slat will face the floor.



Step 12 : Attach (2) sets of Support Slats (Part 8) to the Left & Right Side Rails (Part 1) using (8) M30 Self-Tapping Screws (Part I). Tighten using a Phillips Screwdriver (Not Included).

