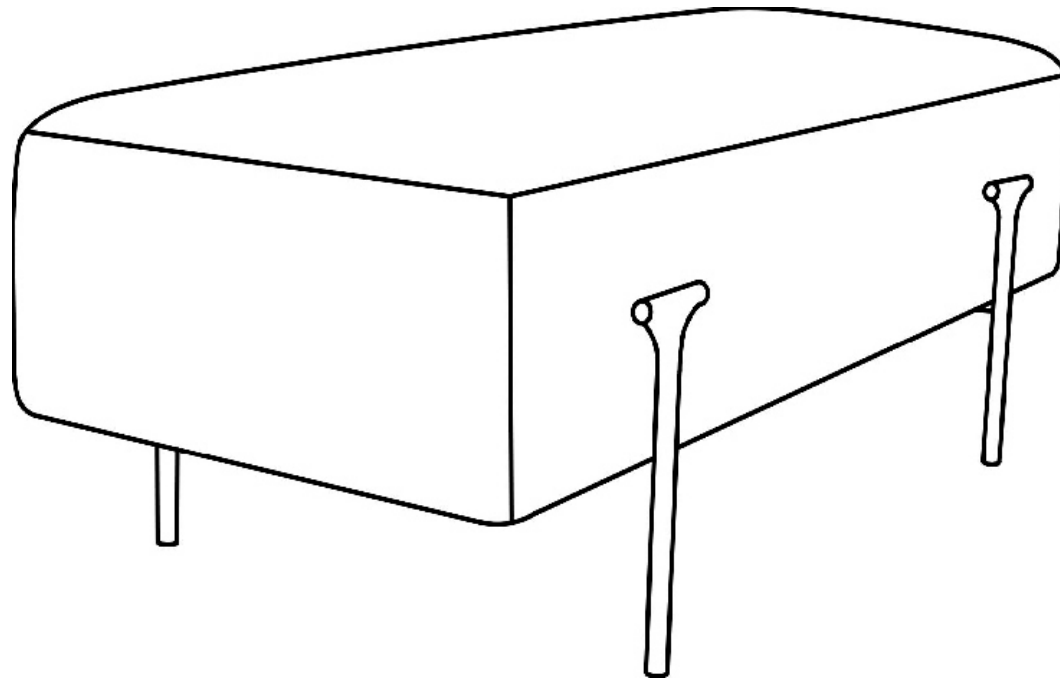


Assembly Instructions

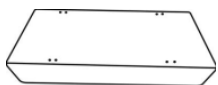
BOUCLE BENCH



Every thing we make is incredibly simple to set up, including your new Bench. You won't need any addition tools.

Parts List

Ax1
Top



Bx2
Leg



Hardware List

HW1 x 8
Allen Bolt (M6x1x25mm)



HW2 x 8
Flat Washer

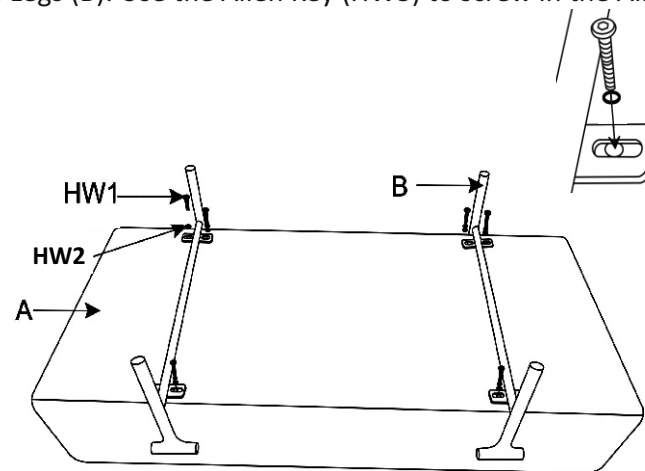


HW3 x 1
Allen Key



1

Place the Top (A) upside down on a soft surface.
Place the Flat Washers (HW2) on the Allen Bolts (HW1).
Align the screw holes underneath the Top (A) to the screw holes on the Legs (B). Use the Allen Key (HW3) to screw in the Allen Bolts (HW1).



2

Place the Bench in the place where you will use it. We'd love to see it – just tag us.

