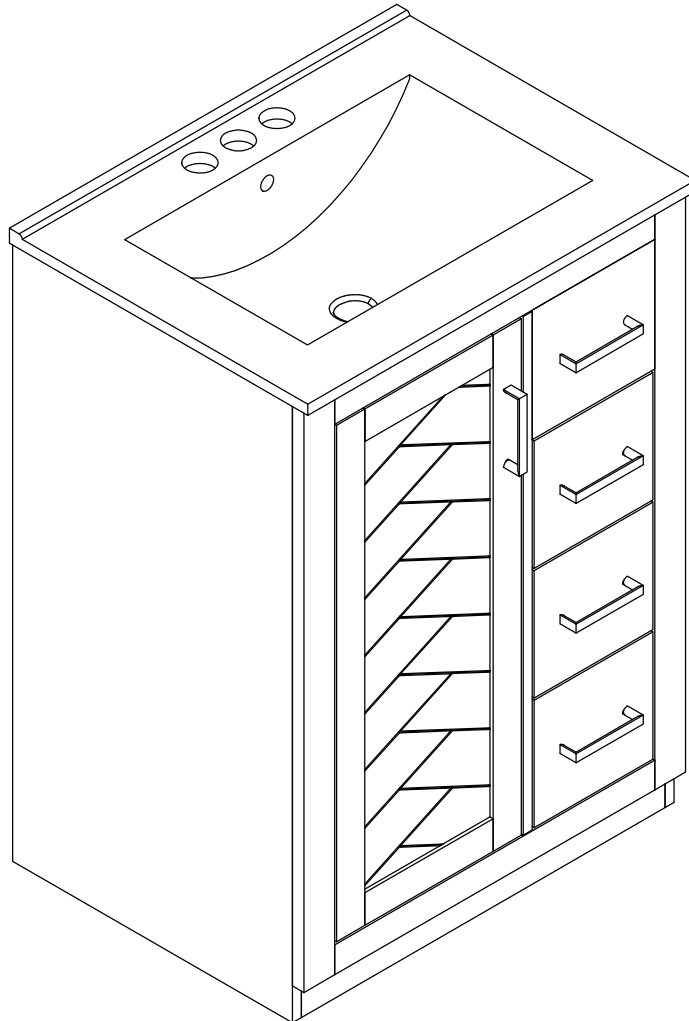


ASSEMBLY INSTRUCTIONS

24 INCH BATH VANITY (COMBO)

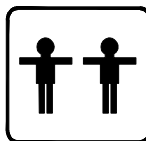
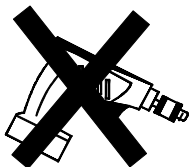


Thank you for purchasing this quality product. Be sure to check all packing material carefully for small parts which may have come loose inside the carton during shipment. Separate, identify and count all parts and hardware.

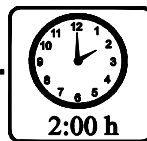
Compare with the parts list to be sure all parts are present.

"DO NOT TIGHTEN SCREWS UNTIL COMPLETELY ASSEMBLED"

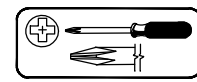
*** Use of power tool to assemble this product will invalidate any claim and damage this product making unsafe !!!**
*** Please assemble on a clean soft surface to avoid damage.**



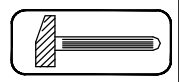
+



Tools Required



(Not included)



(Not included)

IMPORTANT:

PLEASE READ INSTRUCTION BEFORE STARTING THE ASSEMBLY

PLEASE DO NOT RETURN TO STORE



**Please do not return this product to the retailer!!
We are able to assist you in ANY way**

If you find that you have any trouble with assembly or missing or damaged parts please contact the seller.

Before Installation

Important - Please read these instructions fully before starting assembly

Thank you for purchasing this quality product. Be sure to check all packing materials carefully for small parts, which may have come loose inside the carton during shipment. Identify and count all items according to the PARTS LIST and/or HARDWARE LIST shown below. Check you have all the components and tools listed on the following pages.

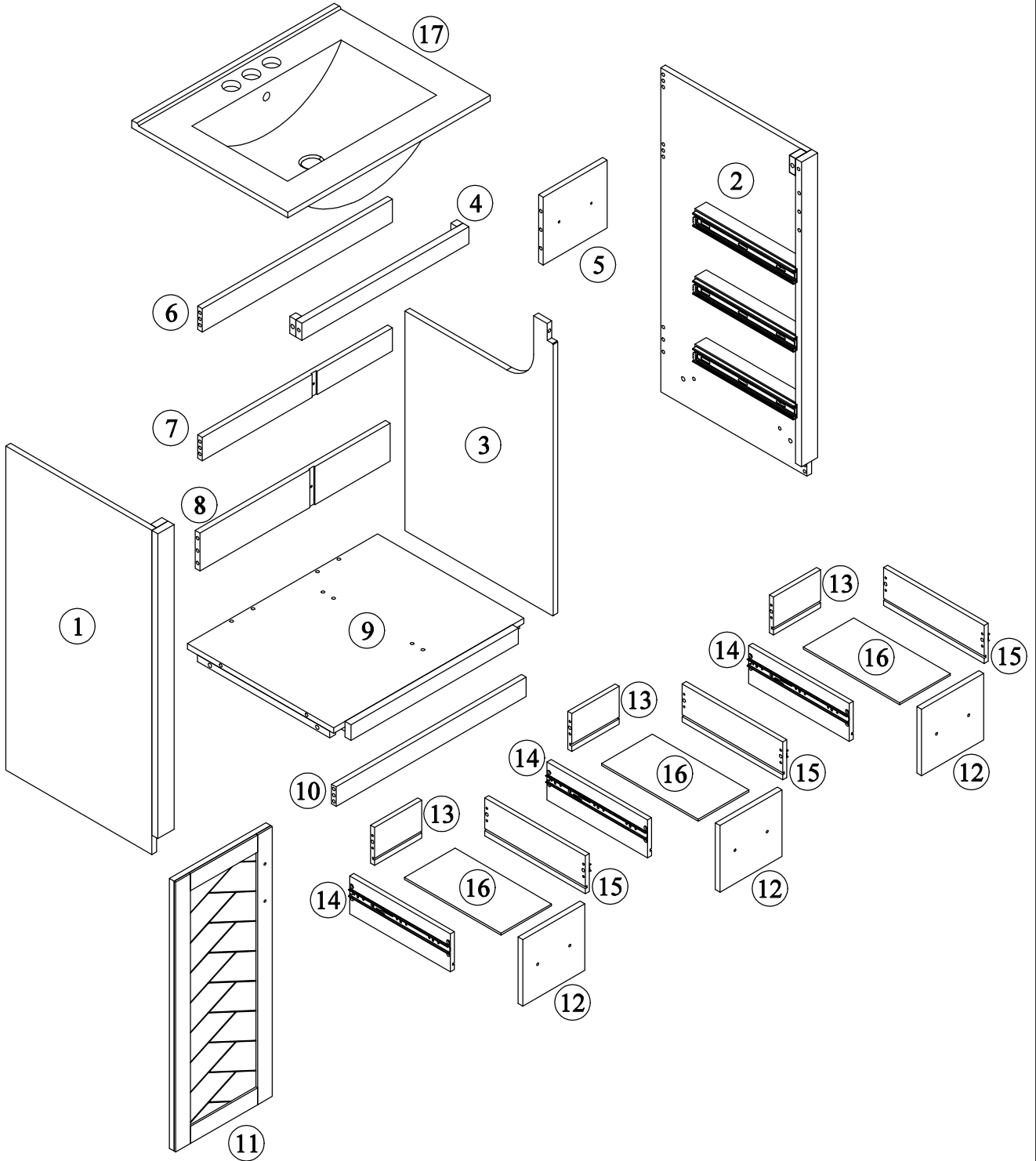
- . We recommend that you assemble this product with the assistance of another person; this will make the assembly easier, and will help eliminate damage to the product or injury to persons during assembly.
- . Please do not over tighten screws or bolts until the assembly is completed.
- . Keep children and animal away from the work area, small parts could choke if swallowed.
- . Please put all parts on a non-abrasive floor before assembly, and follow the assembly steps to assemble your newly purchased product correctly and efficiently.

If you find that you have any trouble with assembly or missing or damaged parts please contact the seller.

Cam Lock Assembly Instructions

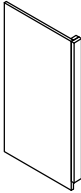
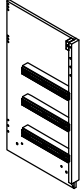

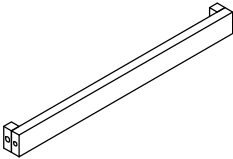
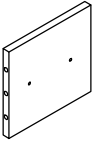
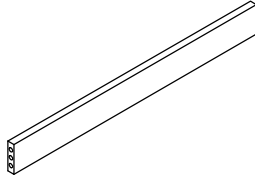
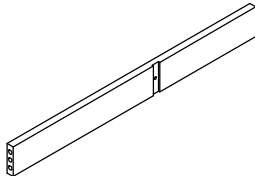
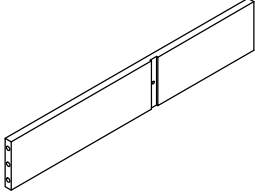
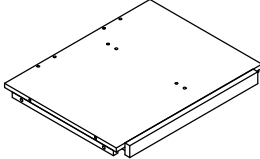
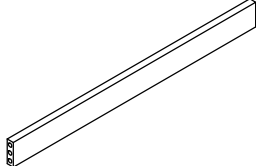

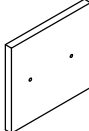
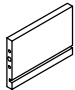
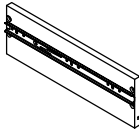
		Diagram A Insert Cam Bolt into hole as shown in diagram A.
		Diagram B Make sure not to insert the Cam Bolt: Too deep as shown in figure B as this will cause the Cam Lock to be misaligned and unable to interlock properly.
		Diagram C Also avoid inserting the Cam Bolt too close to the surface of the hole as shown in figure C, as this will cause the Cam Lock to be too loose, and not interlock properly.
		Connect the panels together.
		Insert the Cam Lock so the side opening fits over the head of the Cam Bolt.
		To tighten the Cam Lock, turn it clockwise on half a turn with a flat screwdriver. <i>*Do not use an automatic screwdriver as it may bend or break if too much power is imposed.</i>

Detail View - CABINET



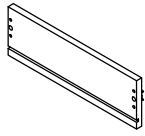
Identifying the Hardware-Identify the hardware using the illustrations below.

Part List

<p>1</p>  <p>Side Panel (L) - 1pc</p>	<p>2</p>  <p>Side Panel (R) - 1pc</p>
<p>3</p>  <p>Mid Panel - 1pc</p>	<p>4</p>  <p>Top Bar Front - 1pc</p>
<p>5</p>  <p>Top Front Panel - 1pc</p>	<p>6</p>  <p>Top Rear Panel - 1pc</p>
<p>7</p>  <p>Mid Rear Panel - 1pc</p>	<p>8</p>  <p>Bottom Rear Panel - 1pc</p>
<p>9</p>  <p>Bottom Frame - 1pc</p>	<p>10</p>  <p>Bottom Bar Front - 1pc</p>
<p>11</p>  <p>Cabinet Door - 1pc</p>	<p>12</p>  <p>Drawer Face - 3pcs</p>
<p>13</p>  <p>Drawer Back Panel - 3pcs</p>	<p>14</p>  <p>Drawer Side Panel (L) - 3pcs</p>

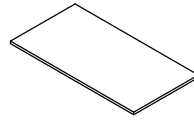
Part List

15



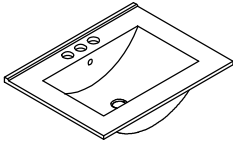
Drawer Side Panel (R) - 3pcs

16





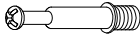



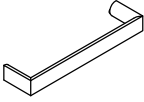
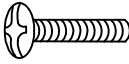
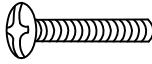
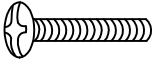
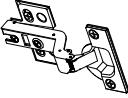
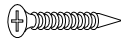
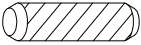



Bottom Drawer Panel - 3pcs

17

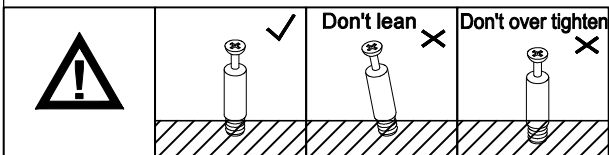
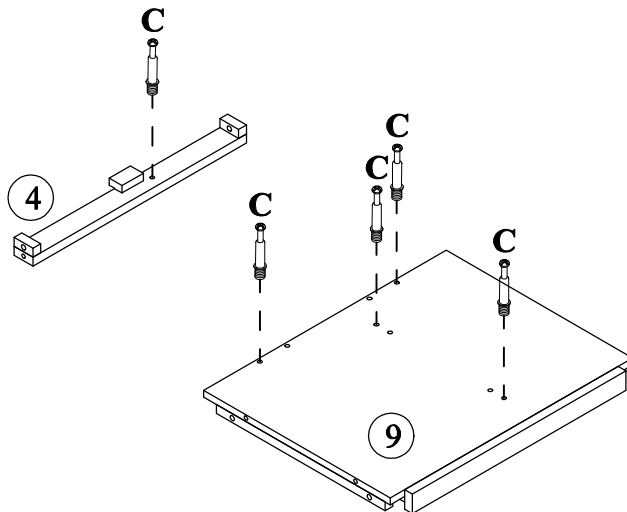
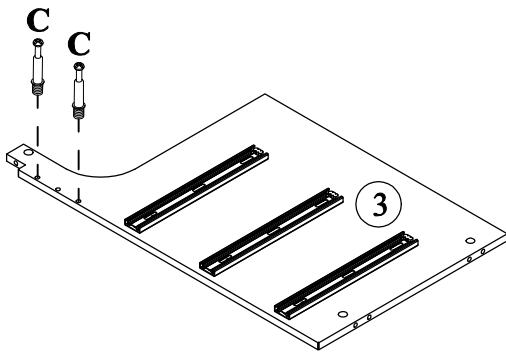
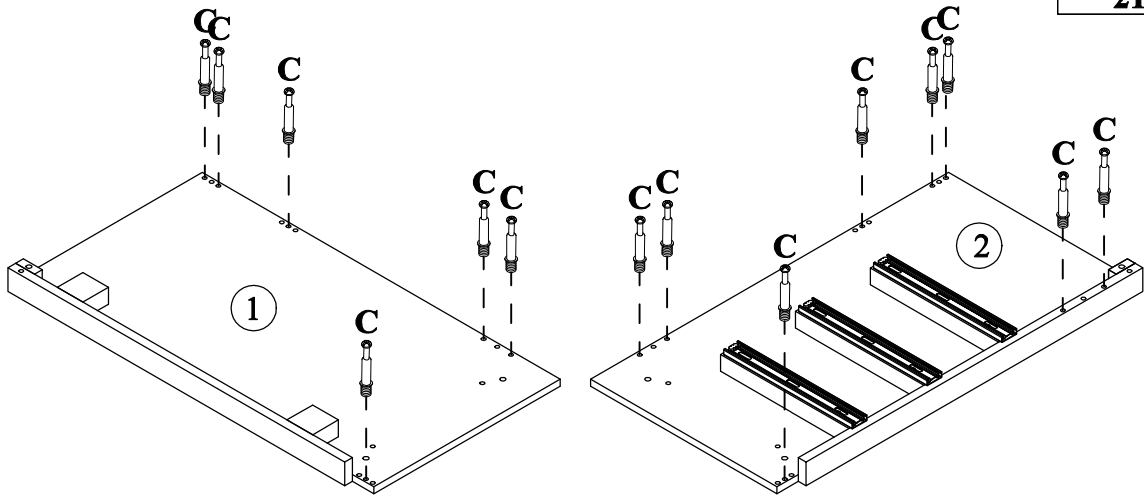
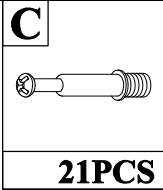


Sink - 1pc



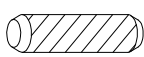
Hardware List

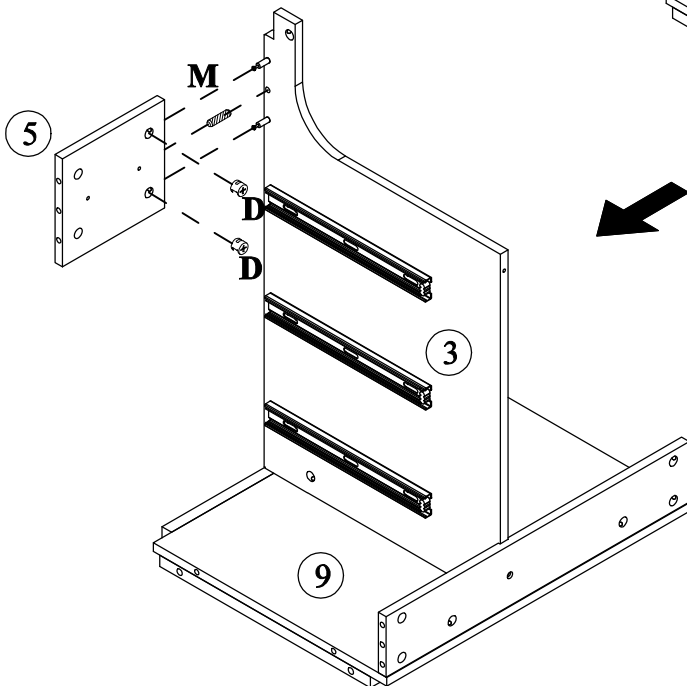
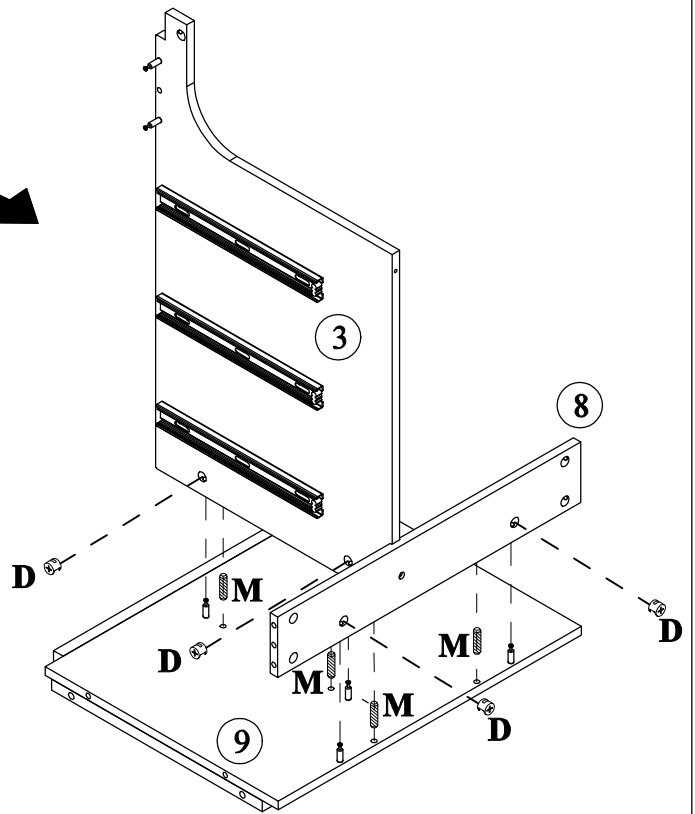
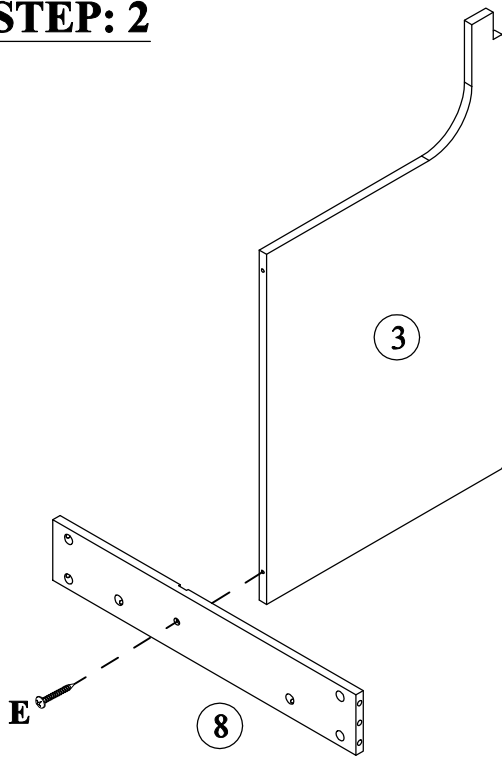
<p>A</p>  <p>ø13x1/4"x28mm Hex-Head bolts (6pcs)</p>	<p>B</p>  <p>ø1/4"x16x1mm Washer (6pcs)</p>	<p>C</p>  <p>ø6x35mm Three in one bolts (21pcs)</p>
<p>D</p>  <p>ø14.5x12mm Three in one lock (21pcs)</p>	<p>E</p>  <p>ø8xø4x25mm Round head screw (2pcs)</p>	<p>F</p>  <p>ø8xø4x32mm Round head screw (24pcs)</p>
<p>G</p>  <p>Handle (5pcs)</p>	<p>H</p>  <p>ø5/32"x25mm Handle screw (2pcs)</p>	<p>I</p>  <p>ø5/32"x20mm Handle screw (2pcs)</p>
<p>J</p>  <p>ø5/32"x32mm Handle screw (6pcs)</p>	<p>K</p>  <p>Damping hinge (2pcs)</p>	<p>L</p>  <p>ø7xø3.5x15mm Flat head screw (12pcs)</p>
<p>M</p>  <p>ø8x30mm Wood dowel (24pcs)</p>	<p>N</p>  <p>4mm Allen key (1pc)</p>	<p>O</p>  <p>Anti fall hardware (2sets)</p>
<p>P</p>  <p>ø6x30mm Wood dowel (12pcs)</p>		

STEP: 1





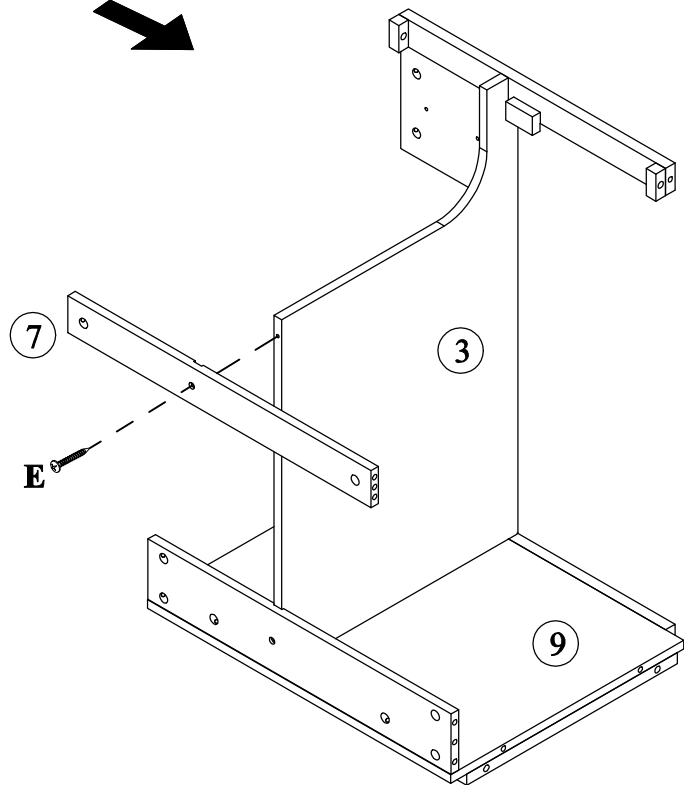
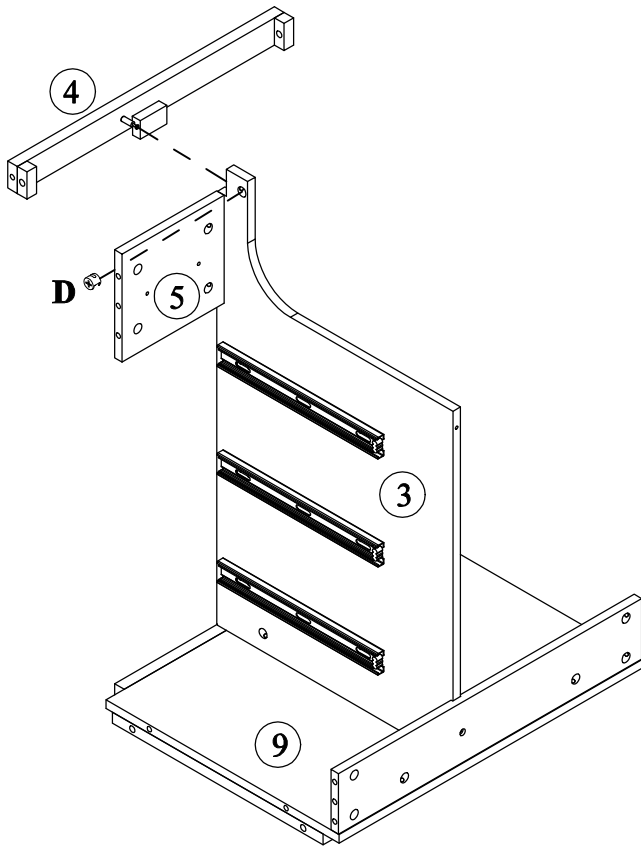
STEP: 2

D		E		M	
6PCS		1PC		5PCS	

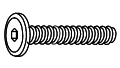
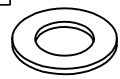





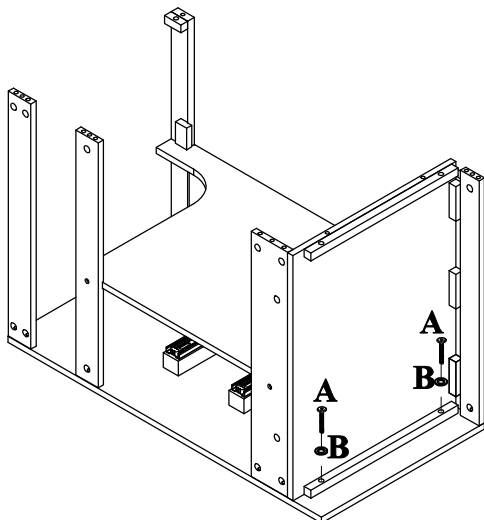
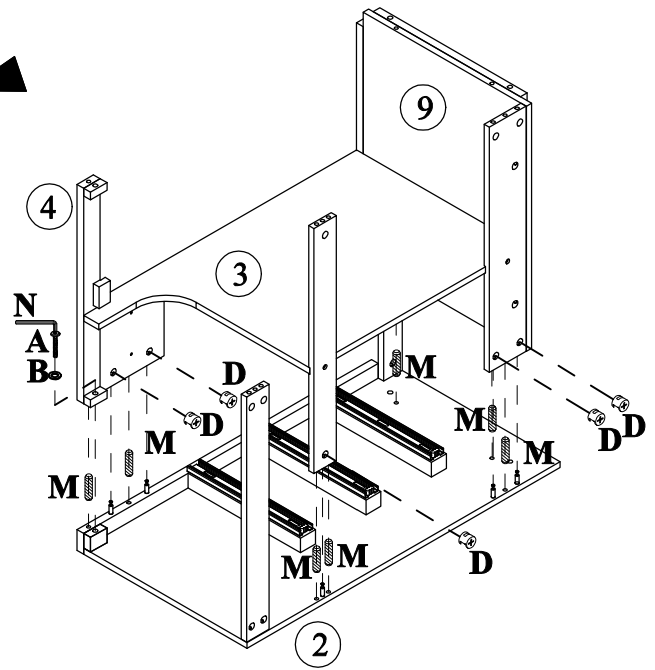
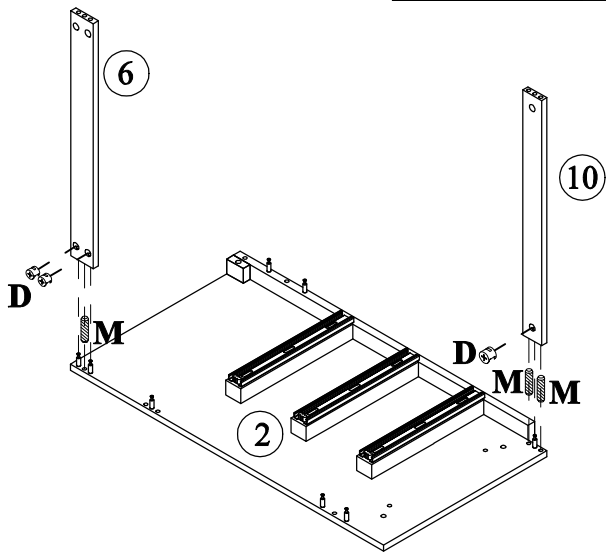
STEP: 3

D		E	
1PC		1PC	




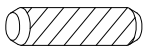



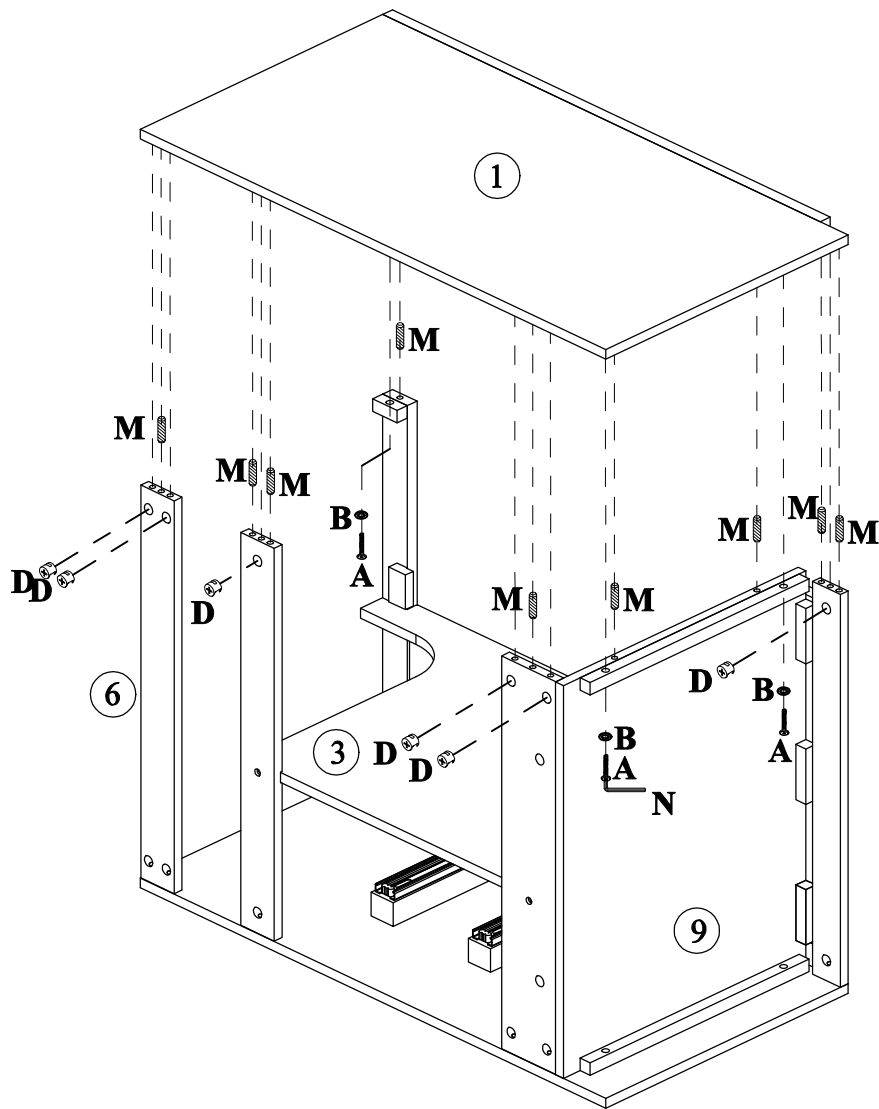
STEP: 4

A	B	D	M	N
				
3PCS	3PCS	8PCS	10PCS	1PC

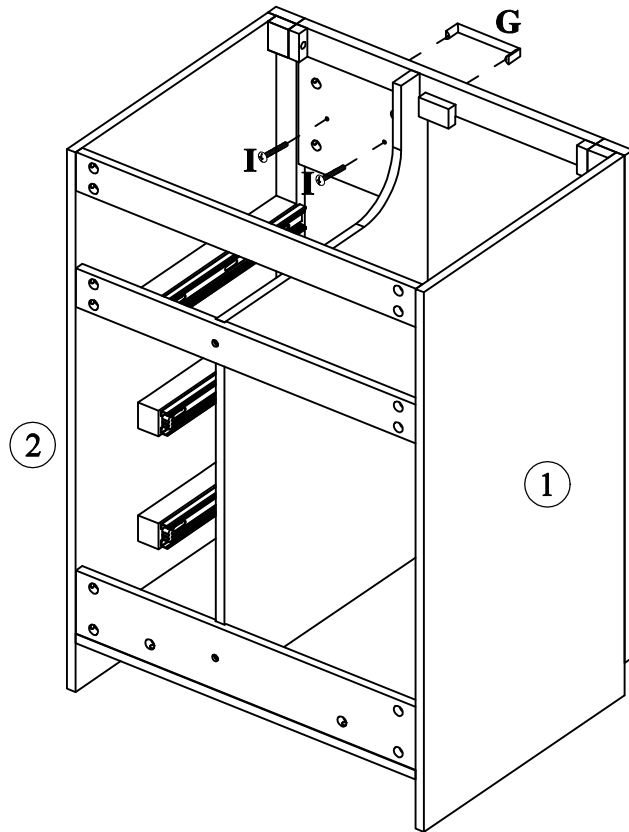


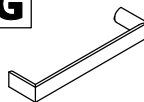

STEP: 5

A	B	D	M	N
				
3PCS	3PCS	6PCS	9PCS	1PC

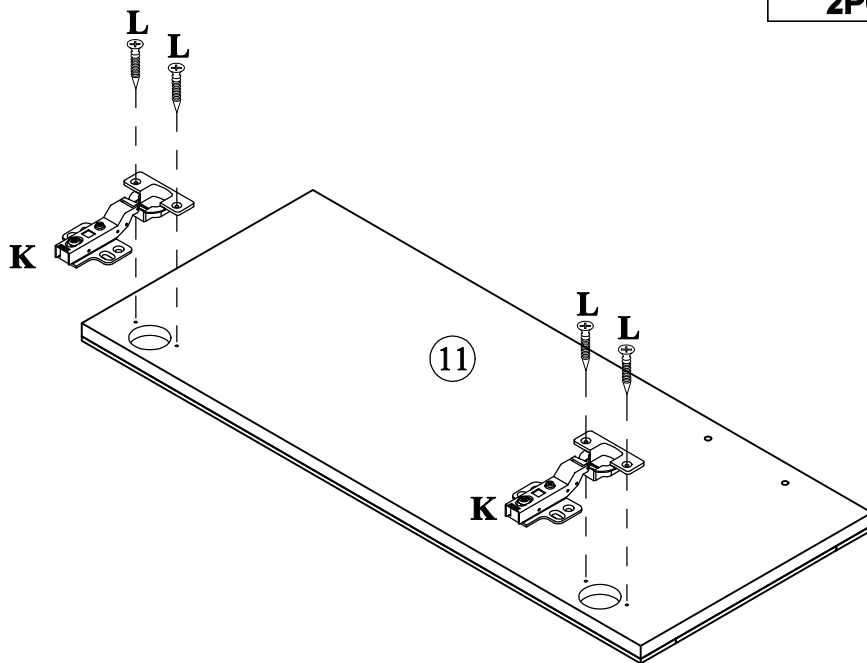



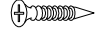
STEP: 6



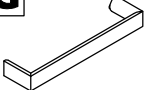
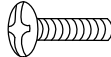
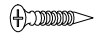
G 	I 
1PC	2PCS

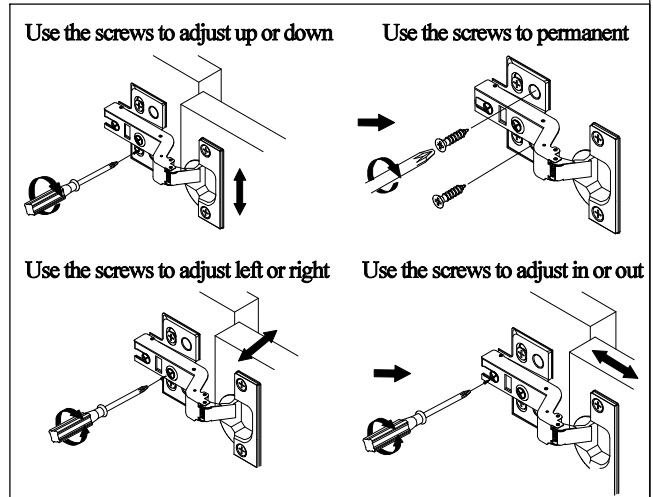
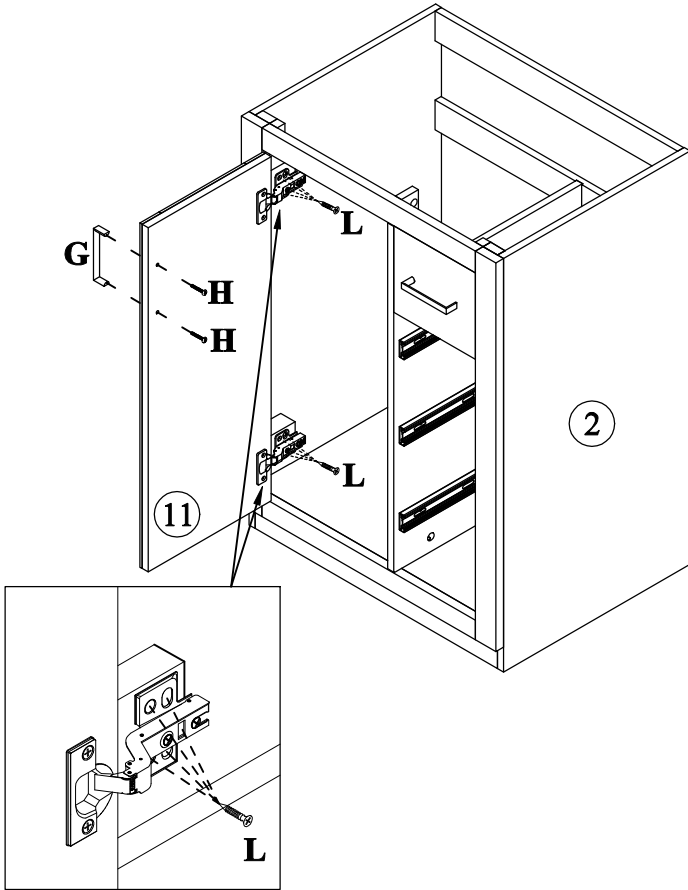
STEP: 7




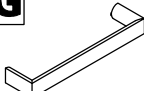

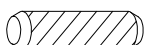
K 	L 
2PCS	4PCS

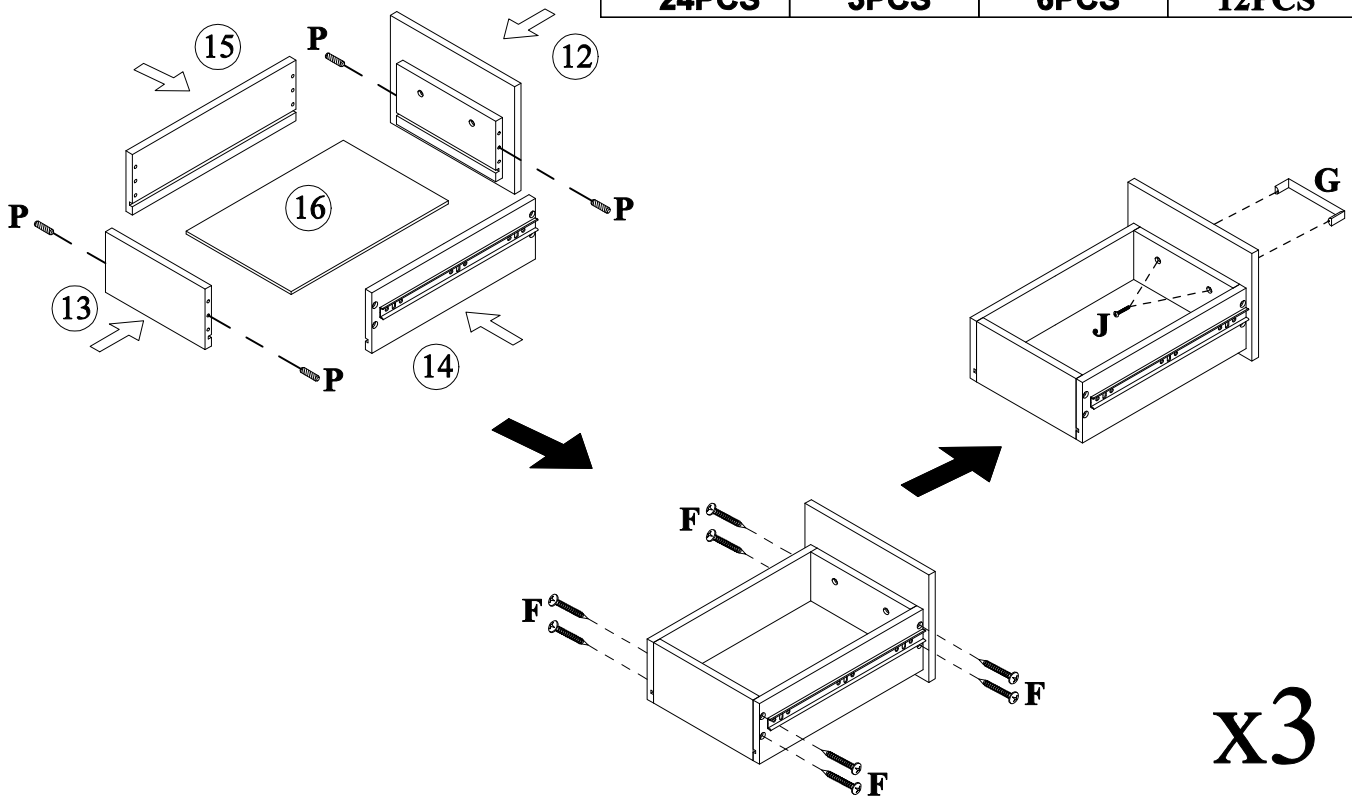
STEP: 8

G 	H 	L 
1PC	2PCS	8PCS

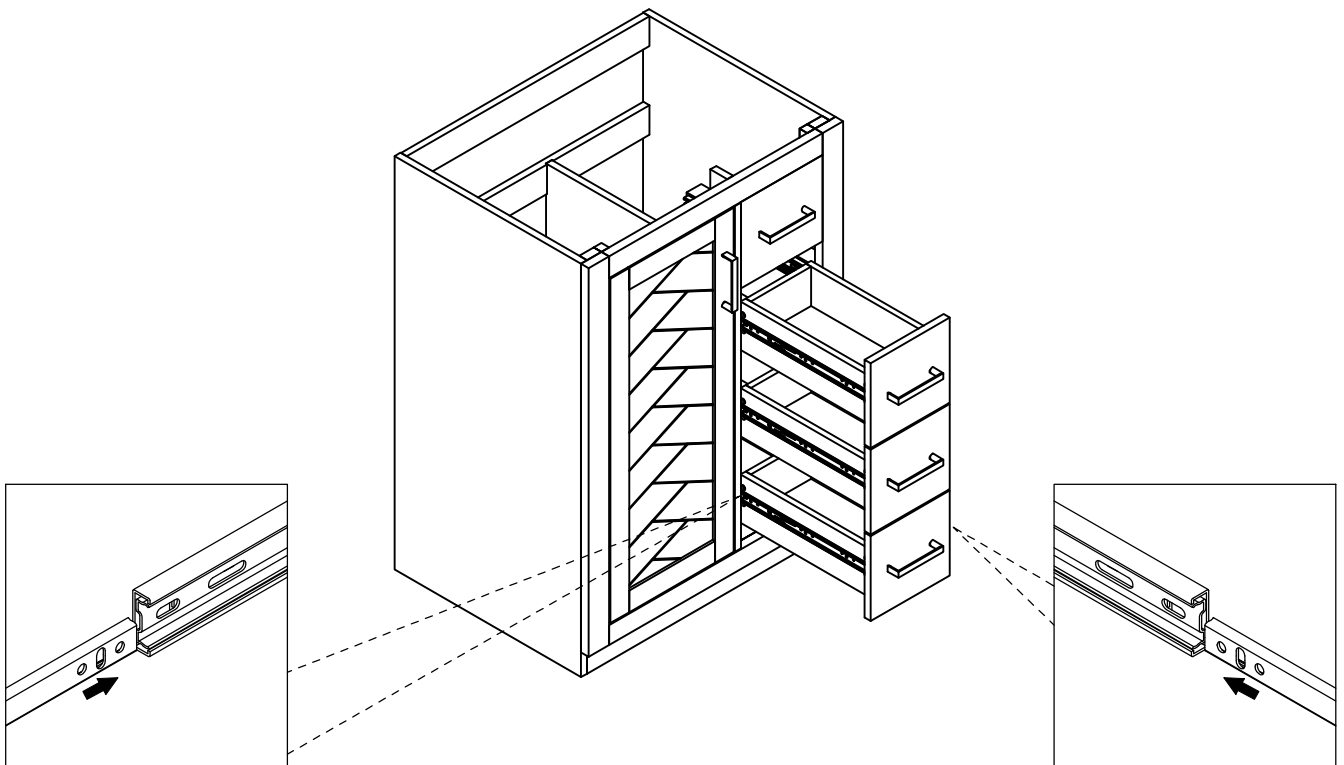


STEP: 9

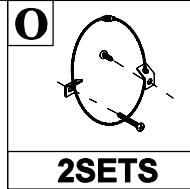
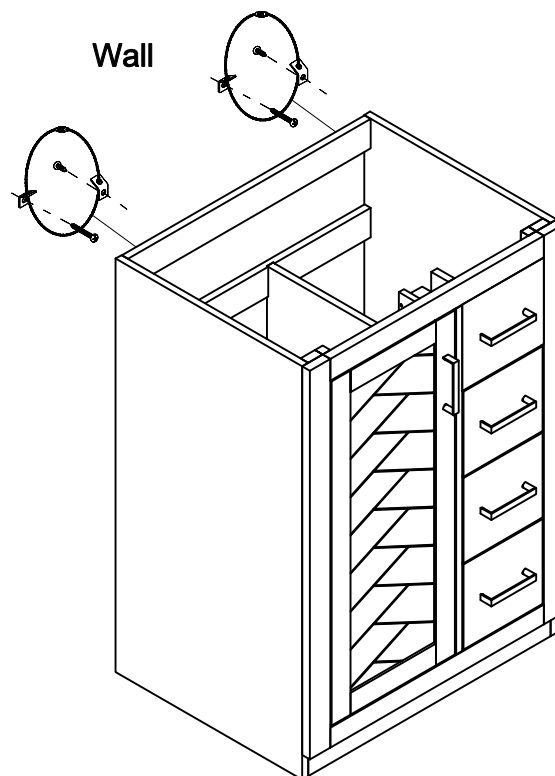
F 	G 	J 	P 
24PCS	3PCS	6PCS	12PCS



STEP: 10

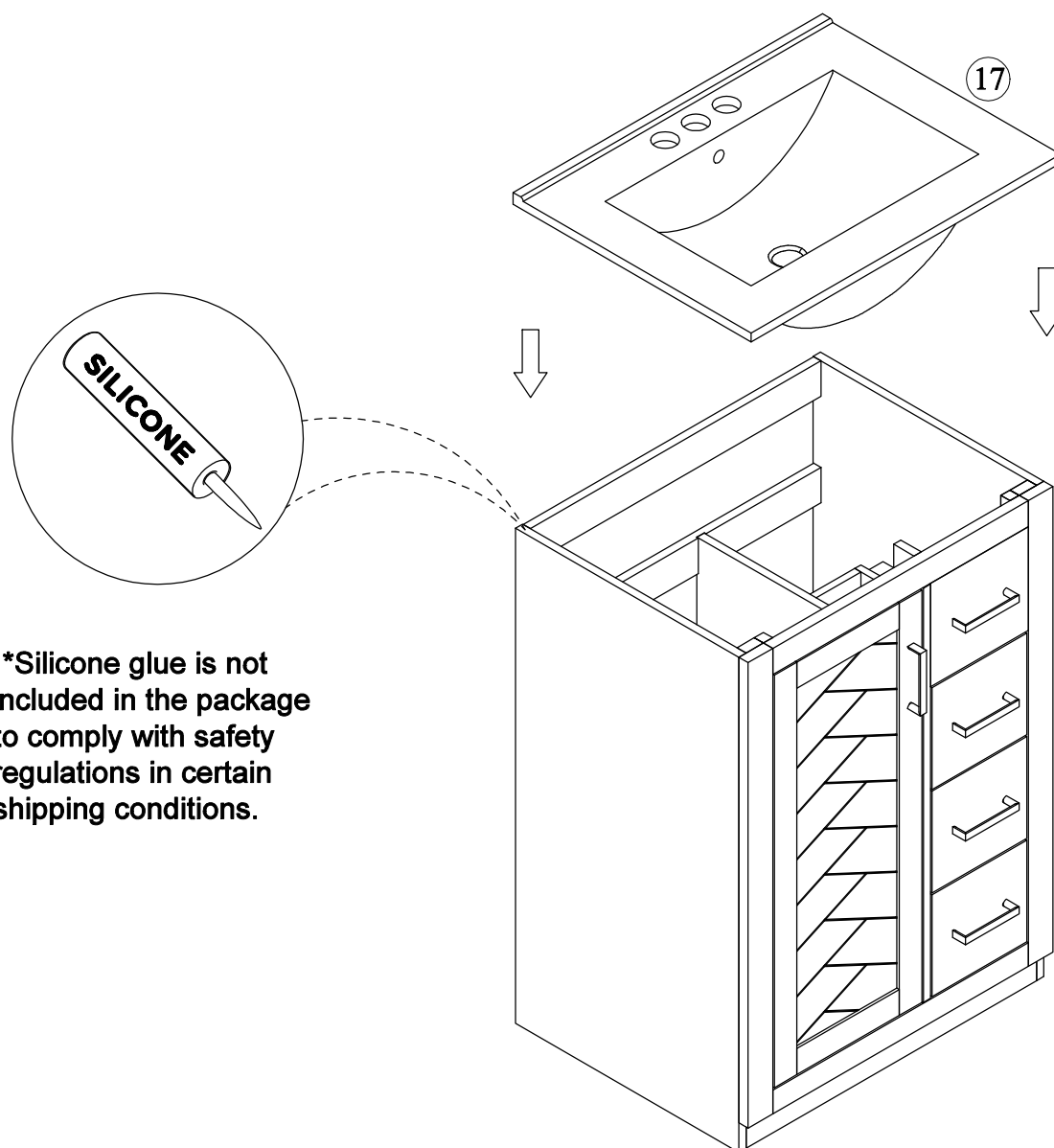


STEP: 11



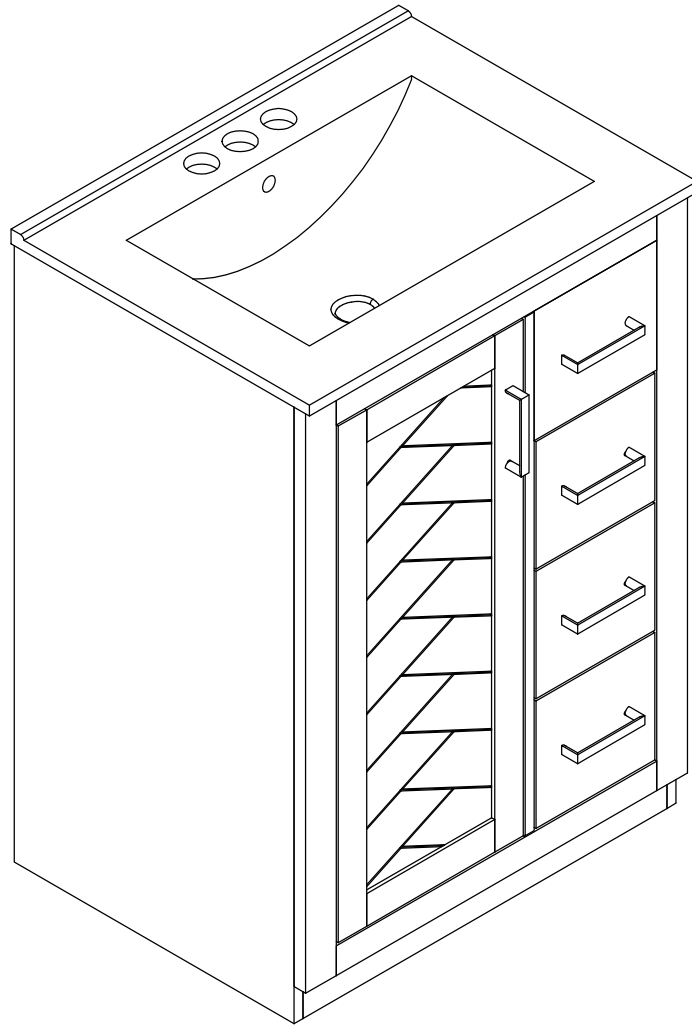
STEP: 12

**Install the sink on the cabinet with glue.
Let stand for 24 hours**



***Silicone glue is not included in the package to comply with safety regulations in certain shipping conditions.**

STEP: 13



HINGE ADJUSTMENTS



1 Sideways / Tilt adjustment

Turn the screw
clockwise to move the door further away from
the side of the cabinet
anticlockwise to move the door closer to the
side of the cabinet



2 4 Height adjustment

While supporting the weight of the door, turn the
screws
clockwise to move the door up
anticlockwise to move the door down



3 Forward and back adjustment

If the gap between the back of the door and the
cabinet is too small, and the door may not close
fully. Turn the screw
clockwise to decrease the gap between the
door and the cabinet
anticlockwise to increase the gap between the
door and the cabinet

