

CARE AND MAINTENANCE

Never use abrasive or acid-based cleaners on the shelf rack.

Clean shelves and rods with a solution of mild detergent and water .Use a soft cloth or sponge to wipe parts.Rinse and dry thoroughly.Keep surfaces dry and clean for a longer lasting finish.

NOTICE

Please read and understand these instructions before attempting to assemble,operate or install the product.

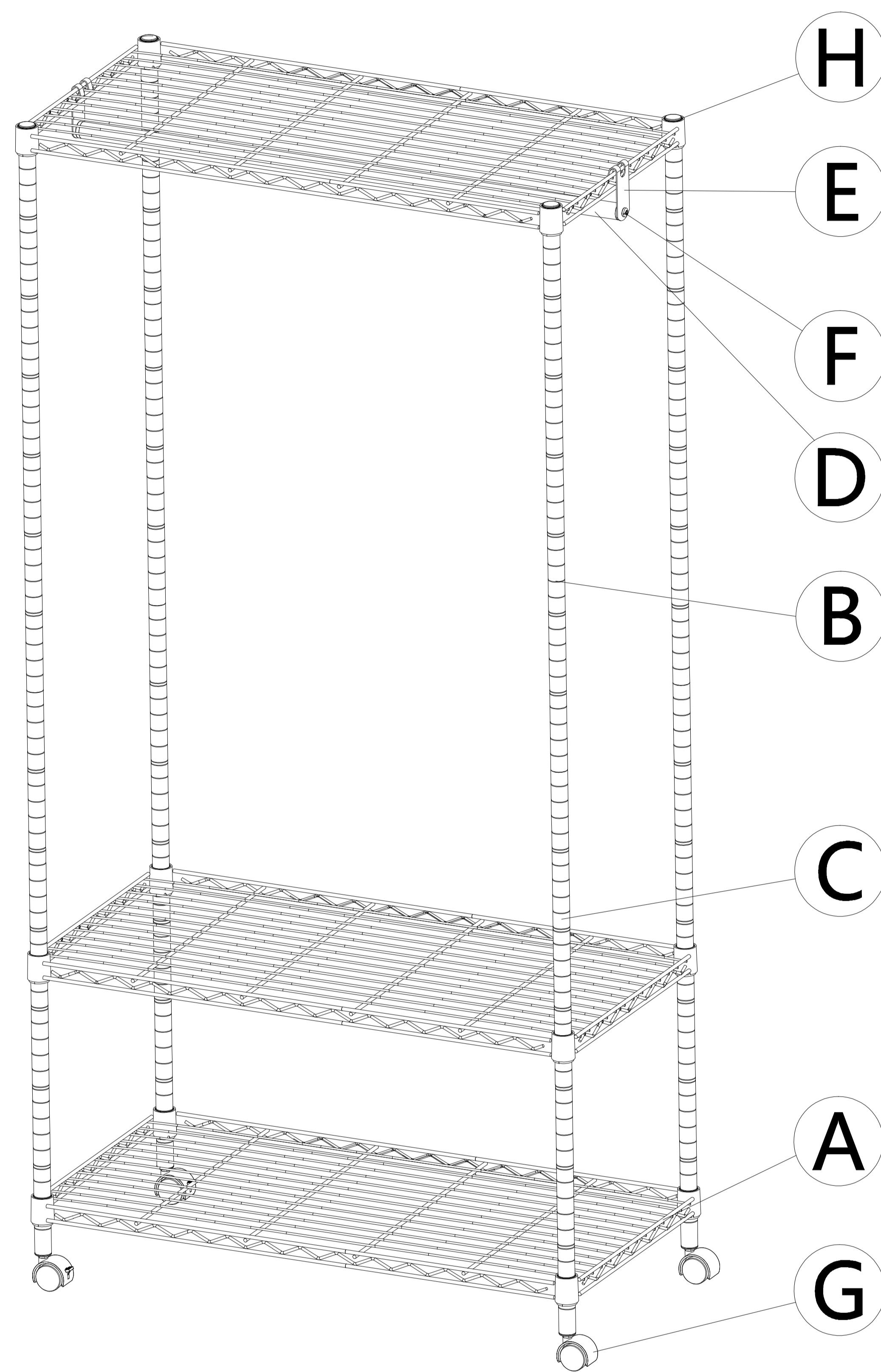
-Two adults required for a assembly.

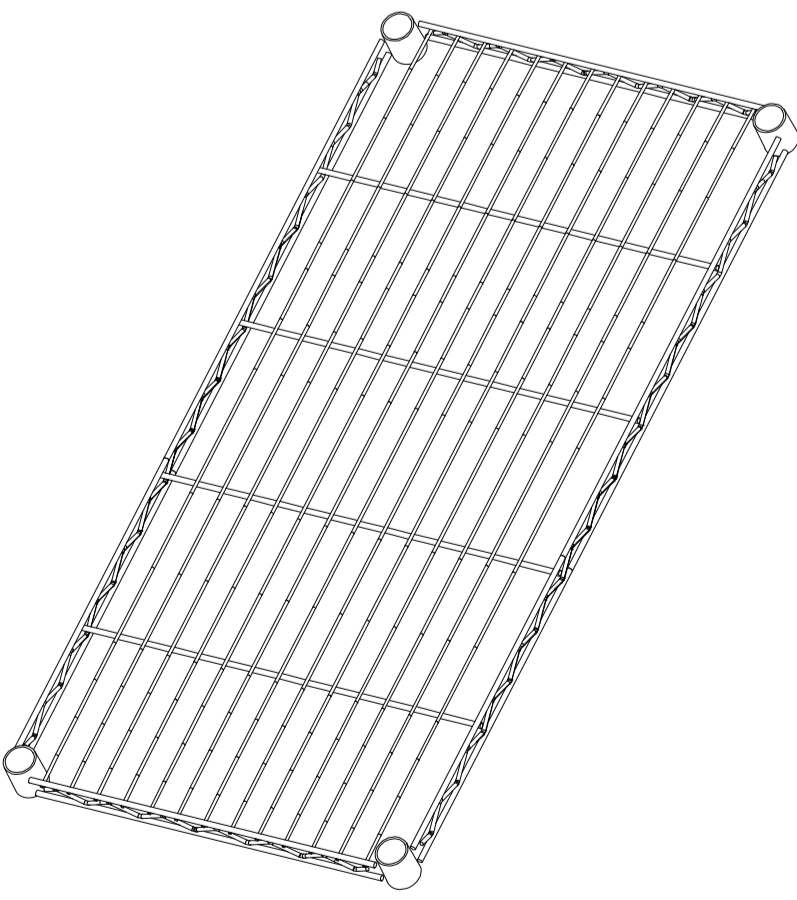
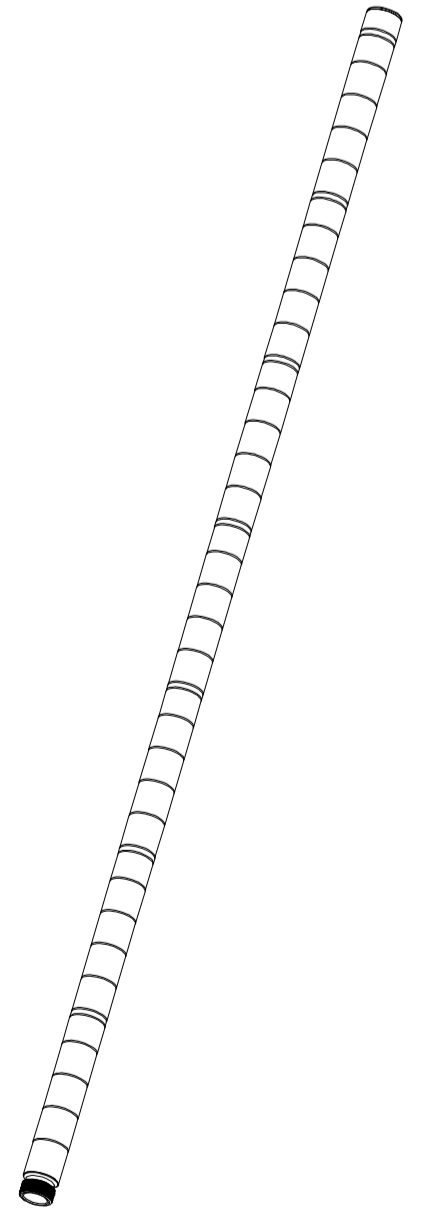
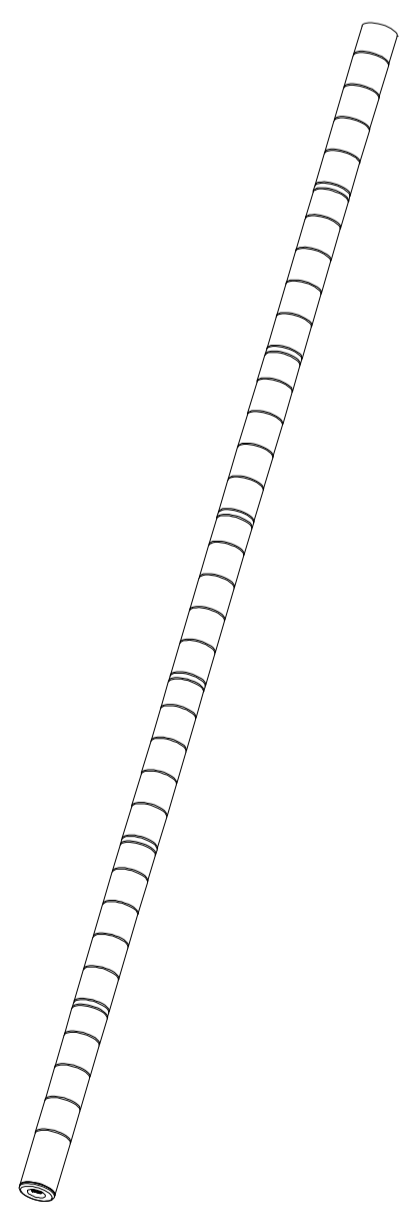
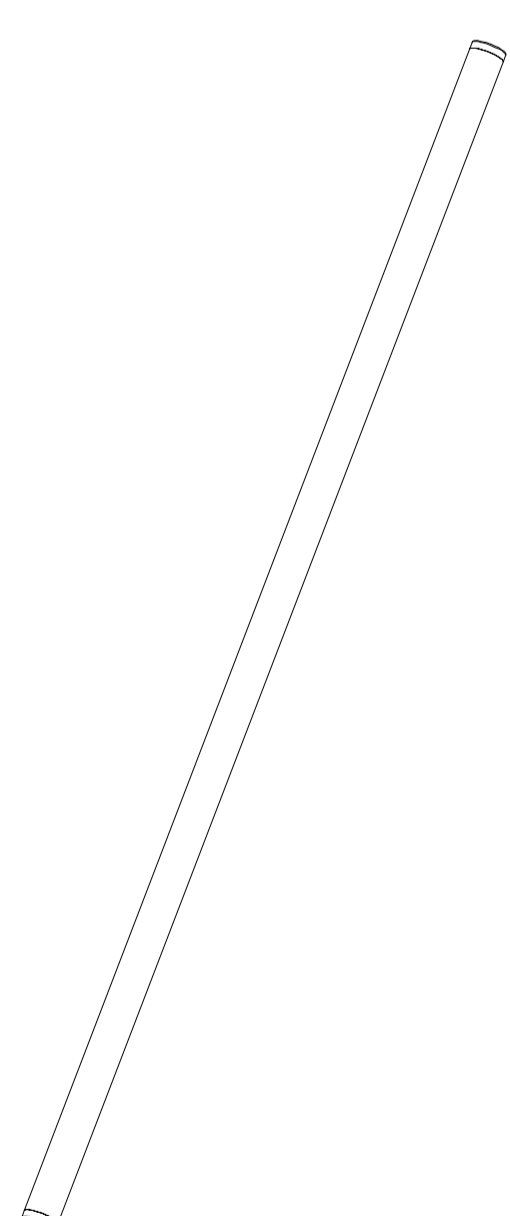
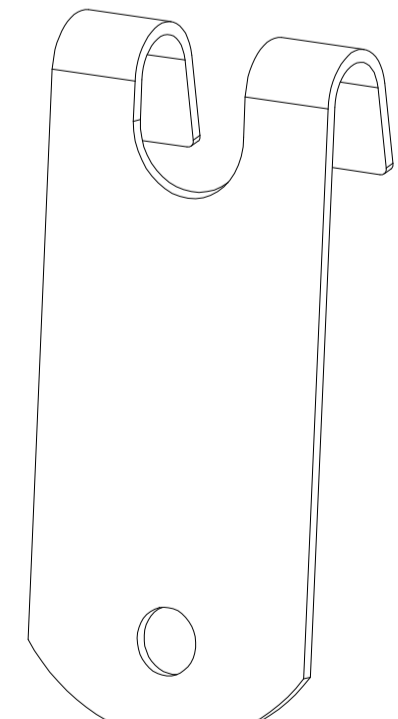
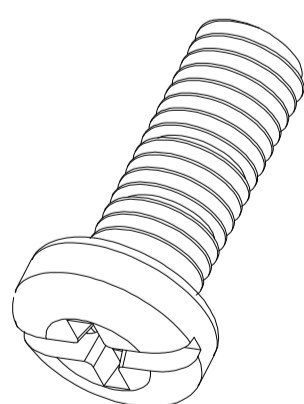
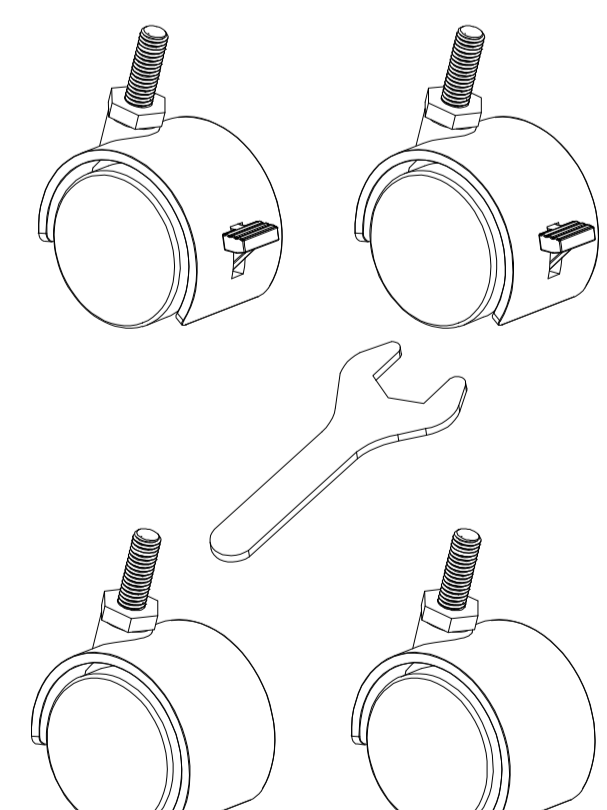
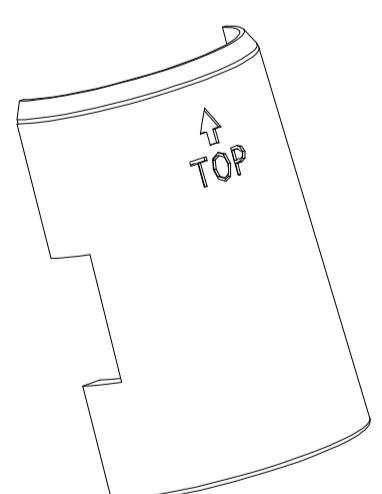
-Do not allow children to climb or play in or around the shelves .

-Each shelf holds up to 88 Ibs.When items are evenly distributed.

-Assemble on a soft surface,such as carpeting to avoid scratching the finish .

SIZE: W35.4XD17.7XH72.2in



No.	A	B	C	D	E	F	G	H
Name	Wire Shelf	Upper Pole	Lower Pole	Clothes Hanger Rod	Hook Bracket	Screw	Nylon Caster	Plastic Clip
Parts								
Quantity	3PCS	4PCS	4PCS	1PC	2PCS	2PCS	4PCS	24PCS

PREPARATION

1.Before beginning assembly of product,make sure all parts are present.Compare parts with package contents list and hardware contents .If any parts is missing or damaged,do not attempt to assemble the product .

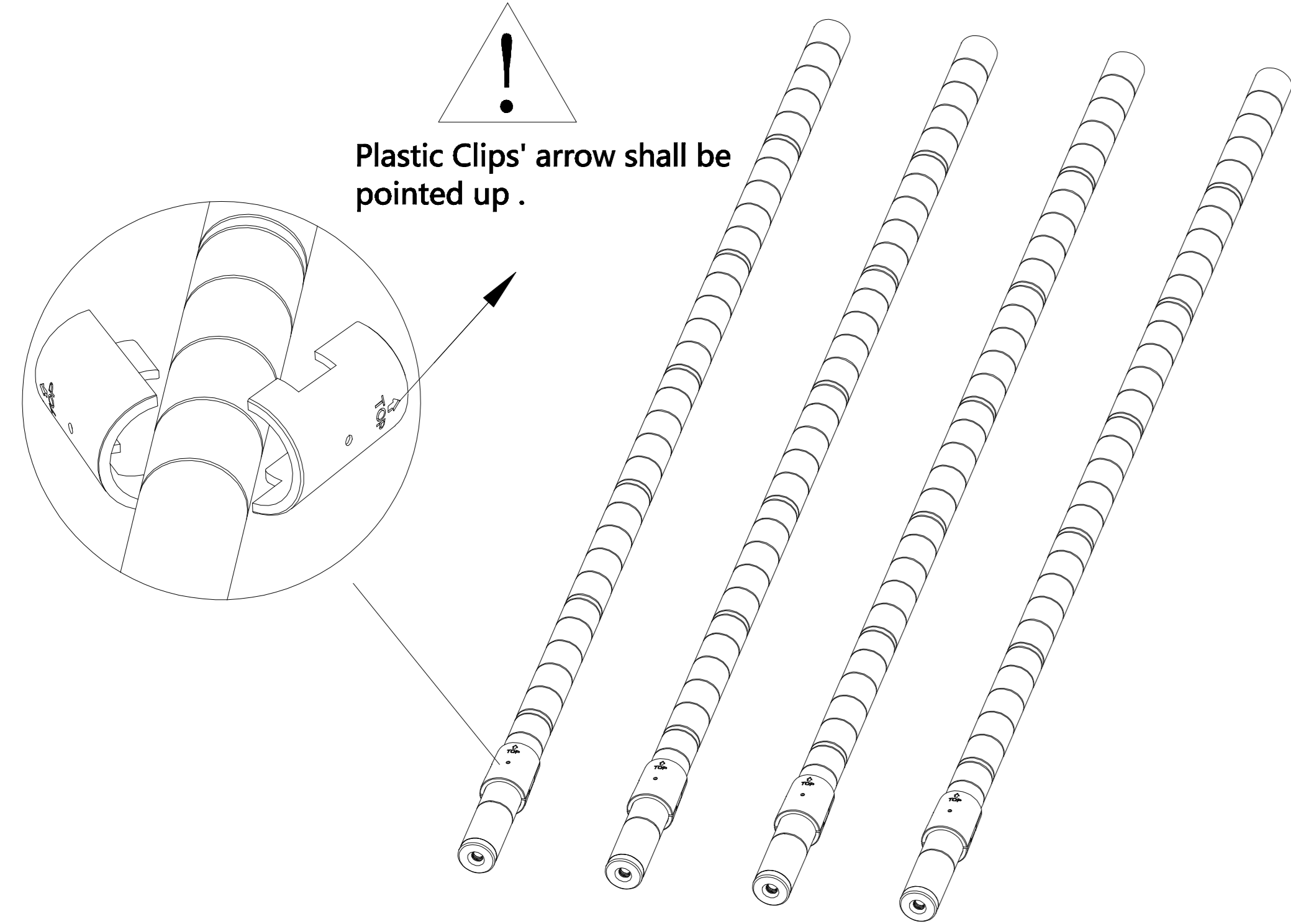
2.Estimated Assembly Time :Approximately 15-20 minutes.

3.Helpful Tools(not included):Rubber Mallet.

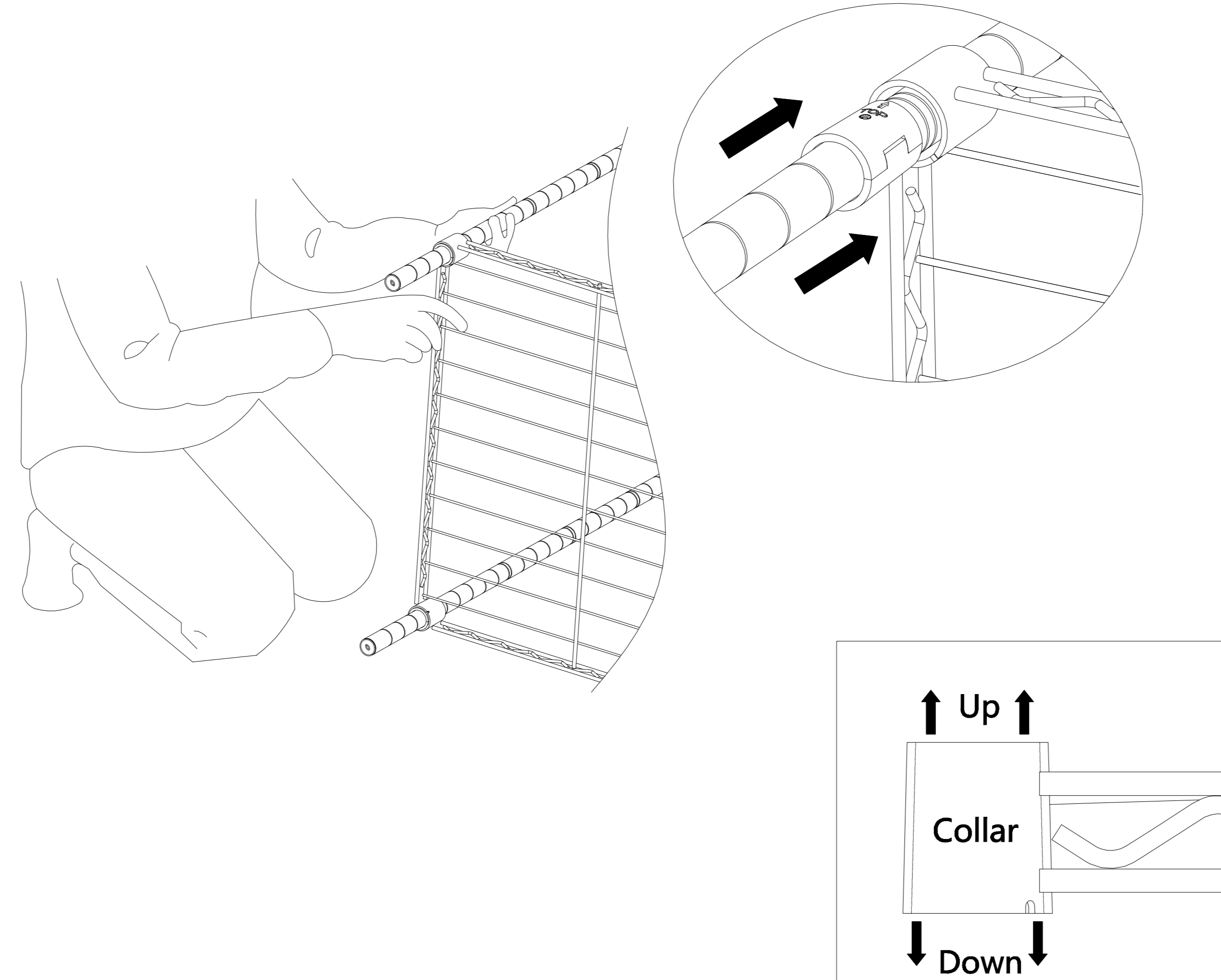
4.Tools Required for Assembly (included): Wrench

Assembly Steps:

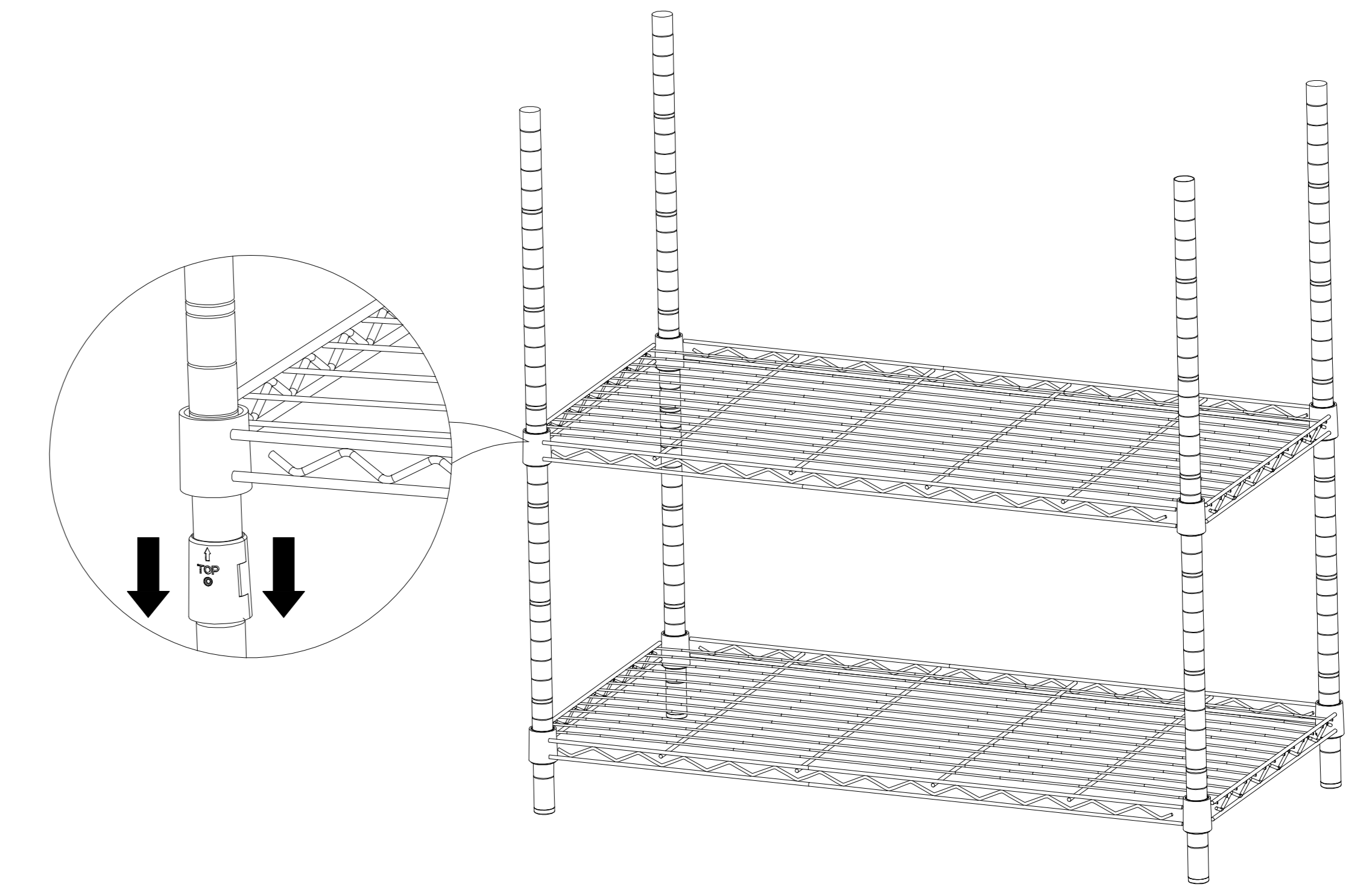
- ① Snap the Plastic Clips (H) into the Lower Pole (C) at same position. and make sure that all plastic clips' arrow shall be pointed up.



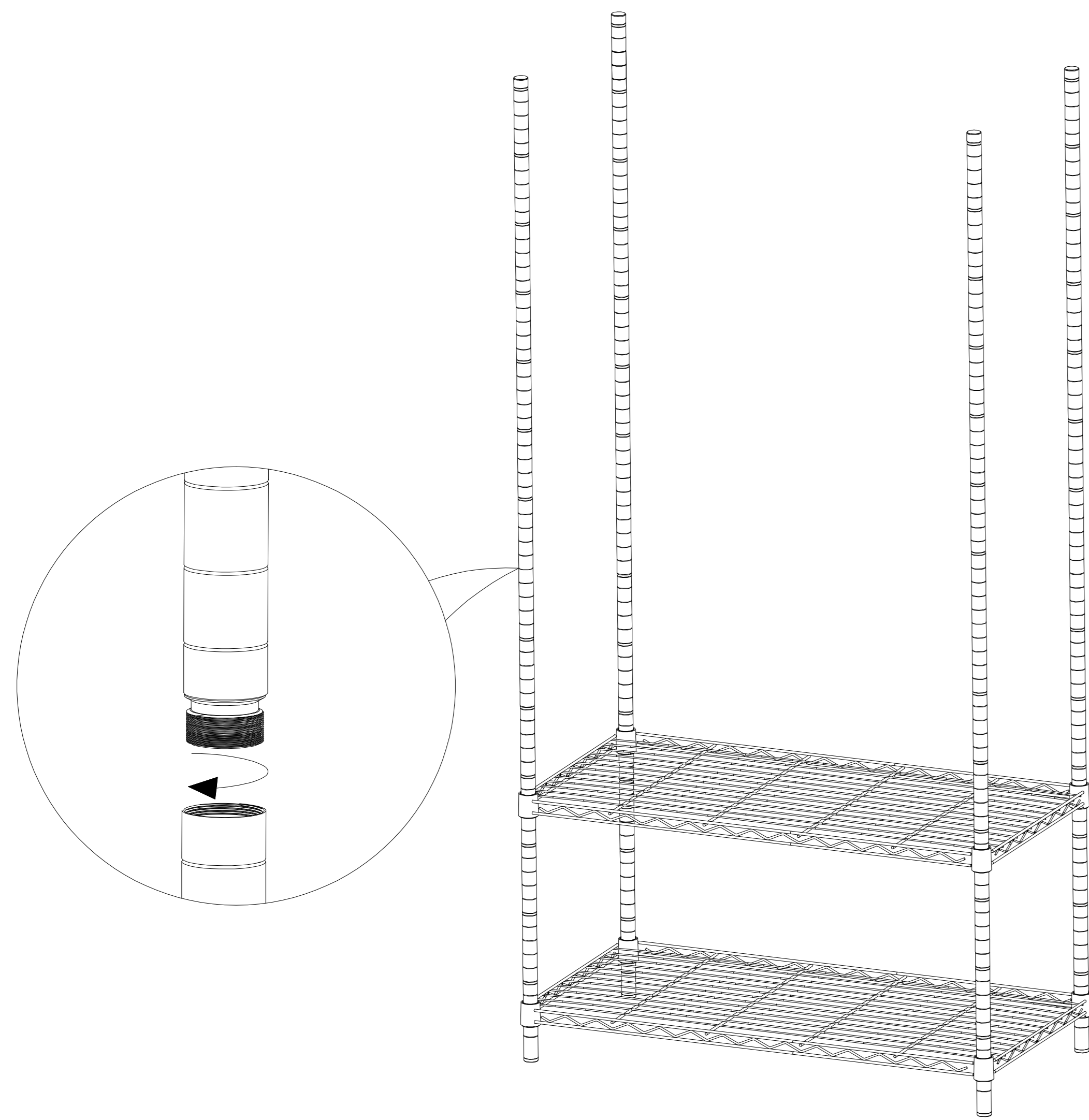
- ② Please make sure that you have the Wire Shelf (A) the correct way up. Hold the shelf on its side and slide the top of four lower poles through the bottom of each shelf at its corners until there is snug fit. After 4 poles have been slid through the shelf collar holes, set the shelf upright.



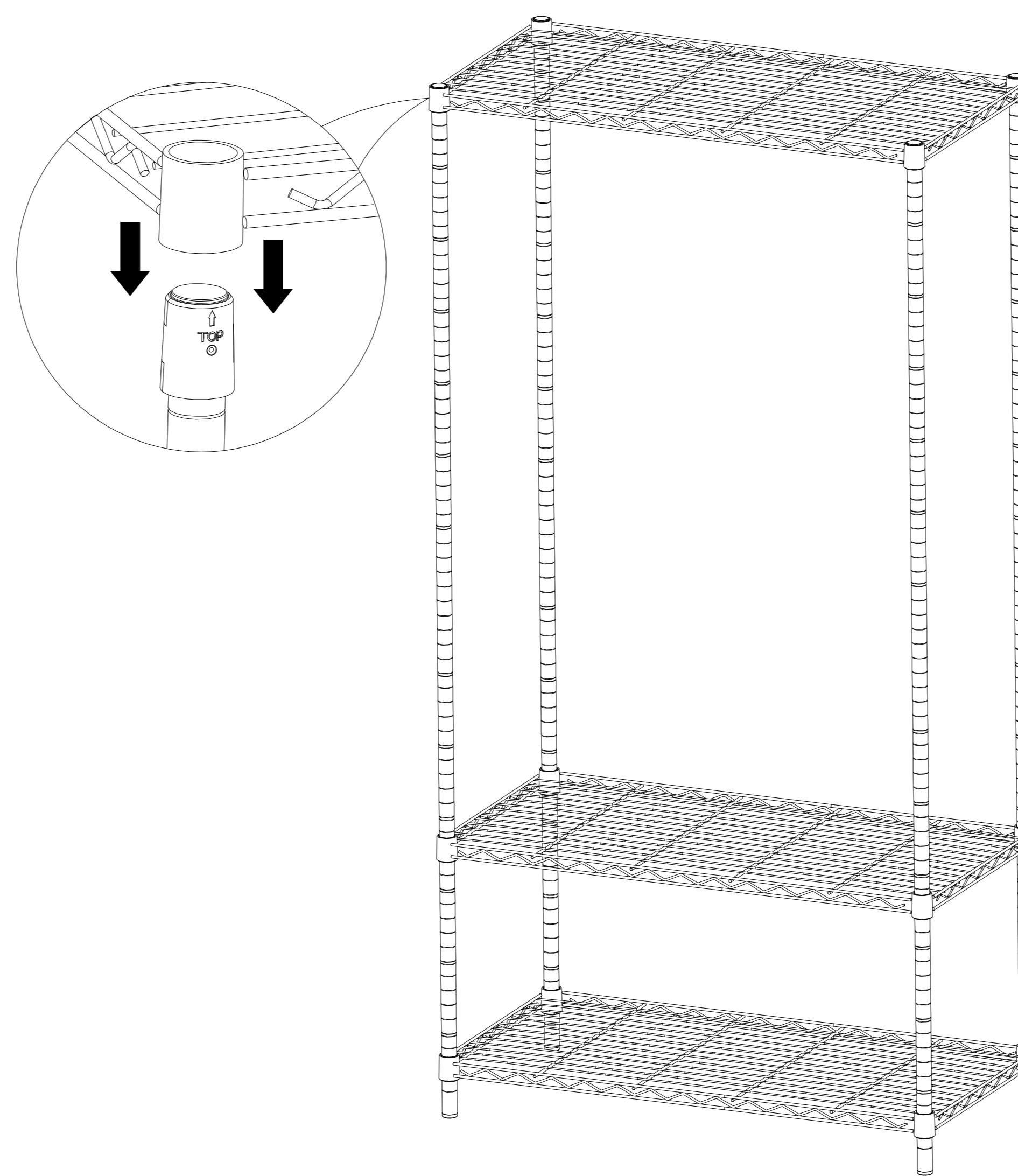
- ③ Snap plastic clips into the pole grooves at your desired position for next wire shelf. Slide down the shelf from top down onto the plastic clips.



- ④ Screw Upper Poles (B) into lower poles by screw connectors which is already assembled on the upper poles.



- ⑤ After plastic clips is well fixed onto the top of four upper poles, put down the top wire shelf.



- ⑥ Screw two Hook Bracket (E) onto Clothes Hanger Rod (D) at its end and make it fastened. Then screw the Nylon Caster (G) into the bottom of poles at clockwise direction.

