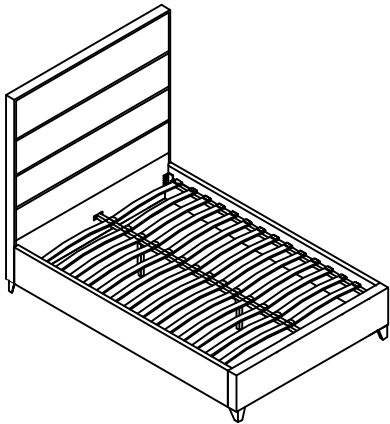


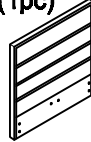
# ASSEMBLY INSTRUCTIONS

## BED - QUEEN

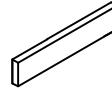


### + Parts Included

① Head Board (1pc)



② Foot Board (1pc)



③ Side Rails (2pcs)



④ Double Plastic cap (15pcs)



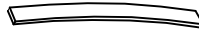
⑤ Center Support Bar (1pc)



⑥ Support Legs (2pcs)



⑦ Slats (30pcs)



⑧ Single Plastic cap (30pcs)

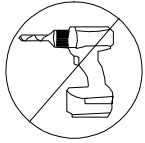


⑨ Legs (4pcs)

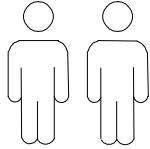


\*Slats come packed in the bottom of headboard carton.

+ Do Not Use Power Tools



+ Suggested Adults



NOTE:

- 1 Read instructions cover to cover.
- 2 Save all packaging until assembly is completed.

### 1 IMPORTANT SAFETY INFORMATION

Do not assemble the product if any of the following parts arrived damaged:

- Part # ③ -Side Rails
- Part # ⑤ -Center Support Bar
- Part # ⑥ -Support Legs
- Part # ⑦ -Slats

### 2 IMPORTANT ASSEMBLY INFORMATION

Assembly Step ③ Ensure the side rail bracket is fully hooked onto bolt A loosely threaded with both washers on the OUTSIDE of the bracket first, then proceed to fully tightening all 4 corners.

Assembly Step ④ When installing slats, ensure that the curve is facing upwards. (→) (↘)  
\*Slats come packed in the bottom of headboard carton.

### + Hardware Included

A Bolt M8\*30mm (16pcs)



B Bolt M6\*25mm (8pcs)



C Spring Washer (8pcs)



E Flat Washer 20 (24pcs)



F M8 Allen Key (1pc)



G M4 Allen Key (1pc)



I Nut M8\*13mm (4pcs)



J Spanner (1pc)



# ASSEMBLY INSTRUCTIONS BED - QUEEN

