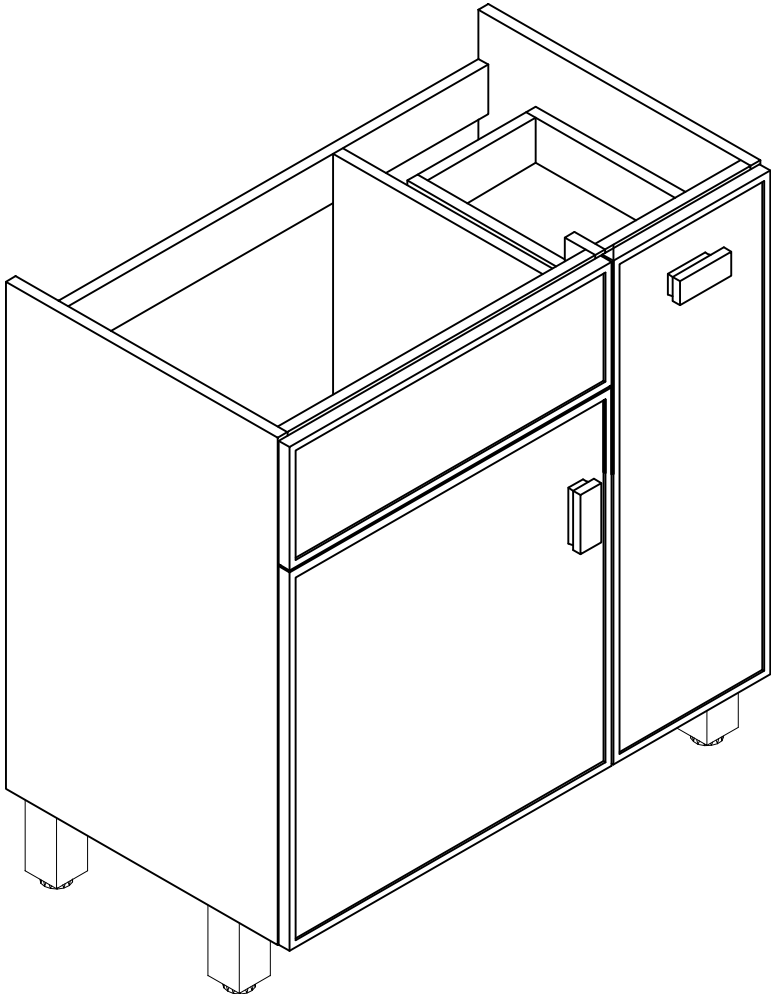
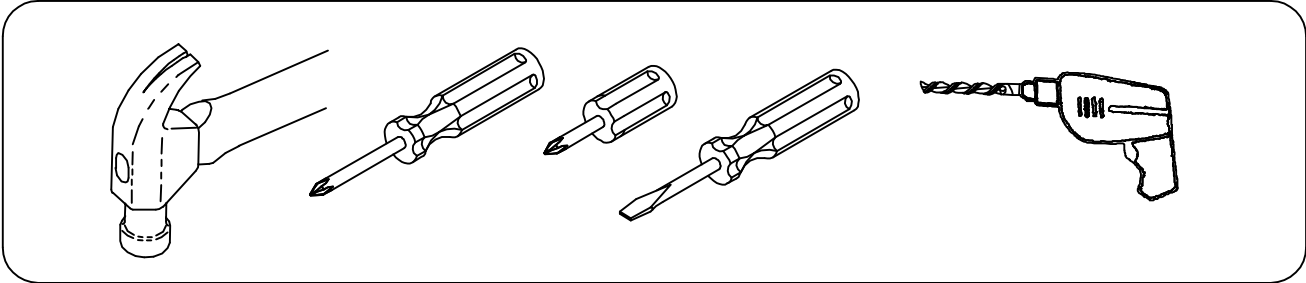


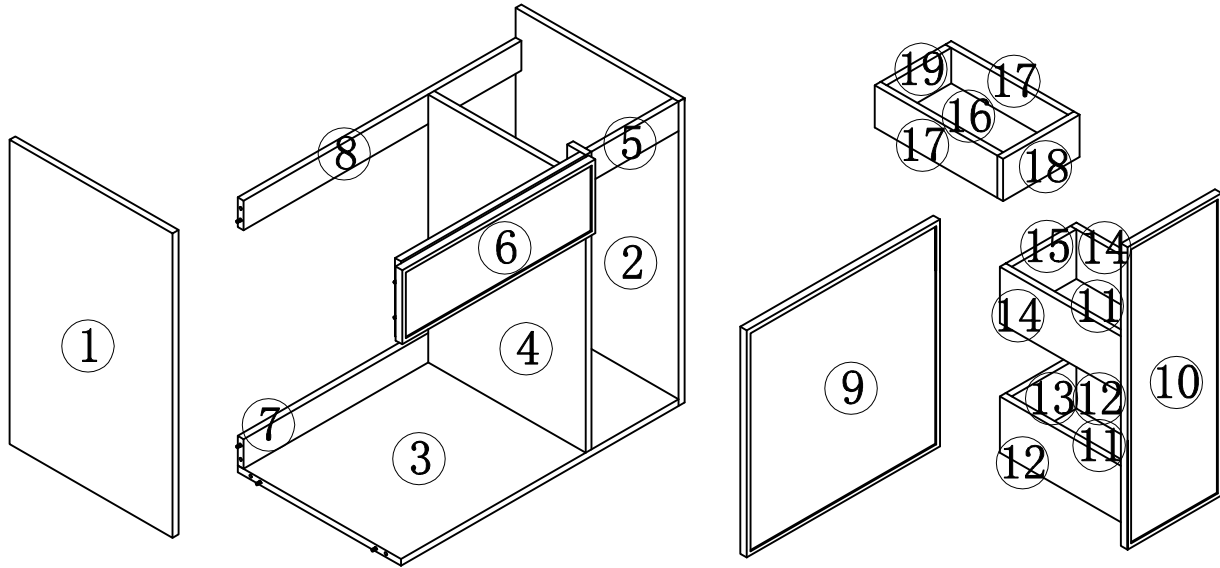
DIMENSIONS



YOU MAY NEED (NOT SUPPLY)



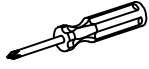
ASSEMBLY DIAGRAM



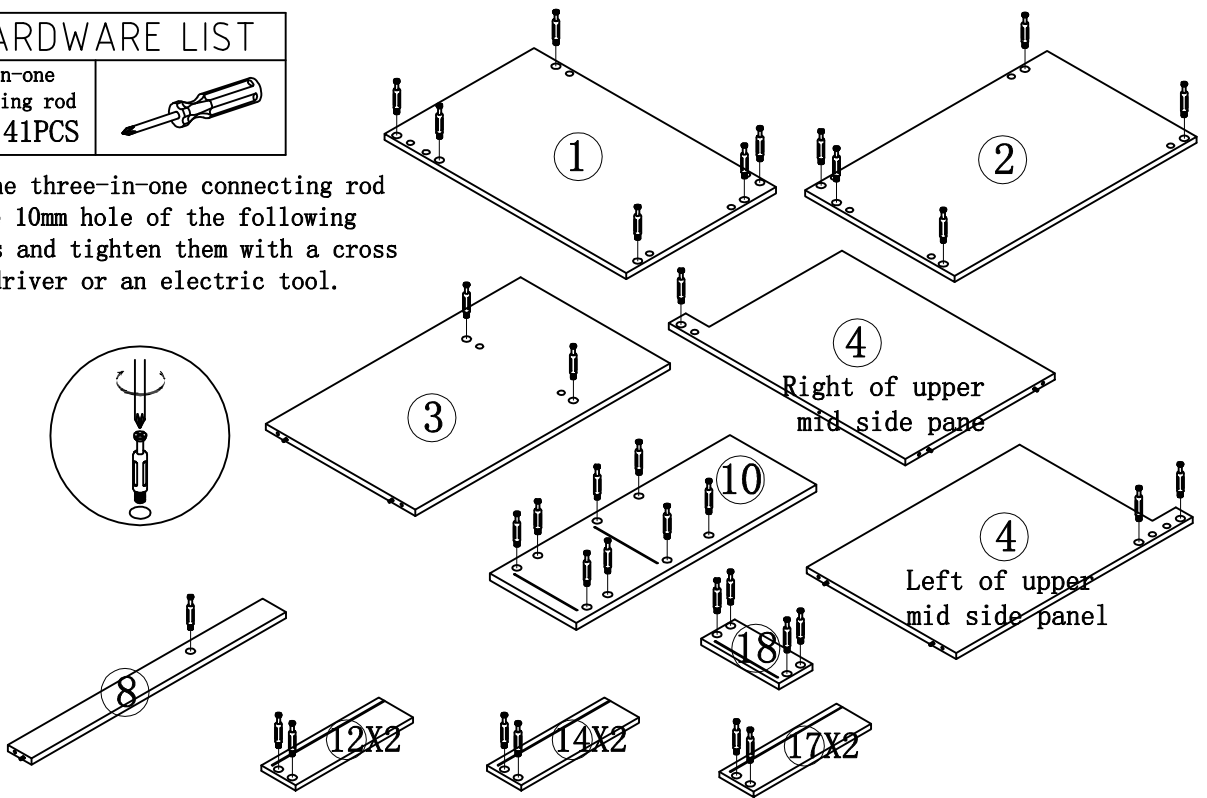
PARTS LIST					
PARTS LIST					
NO	DESCRIPTION	QTY	NO	DESCRIPTION	QTY
①	Left side panel	1	⑪	Bottom middle drawer bottom	2
②	Right side panel	1	⑫	lower drawer side panel	2
③	Bottom panel	1	⑬	Lower drawer back panel	1
④	middle side panel	1	⑭	Middle drawer side panel	2
⑤	Front right upper pull bar	1	⑮	Middle drawer back panel	1
⑥	Front left upper pull bar	1	⑯	upper drawer bottom	1
⑦	rear drop down	1	⑰	upper drawer side panel	2
⑧	rear pull-up bar	1	⑱	upper drawer front panel	1
⑨	Left door panel	1	⑲	Upper drawer back panel	1
⑩	drawer panel	1			

PARTS LIST					
HARDWARE LIST					
NO	DESCRIPTION	QTY	NO	DESCRIPTION	QTY
A	Three-in-one eccentric wheel	4	G	4*20mm screw	4
B	Three-in-one connecting rod	4	H	Door handle	1
C	Three-in-one sticker	4	I	Drawer handle	1
D	8*40mm wood dowel pins	16	J	Aluminum alloy leg	4
E	Drawer slides	6	K	Door hinge	2
F	4*16mm screw	60			
CAUTION: Please confirm the parts list before installation					

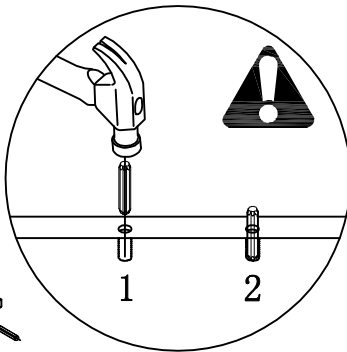
STEP 1

HARDWARE LIST	
Three-in-one connecting rod B 41PCS	

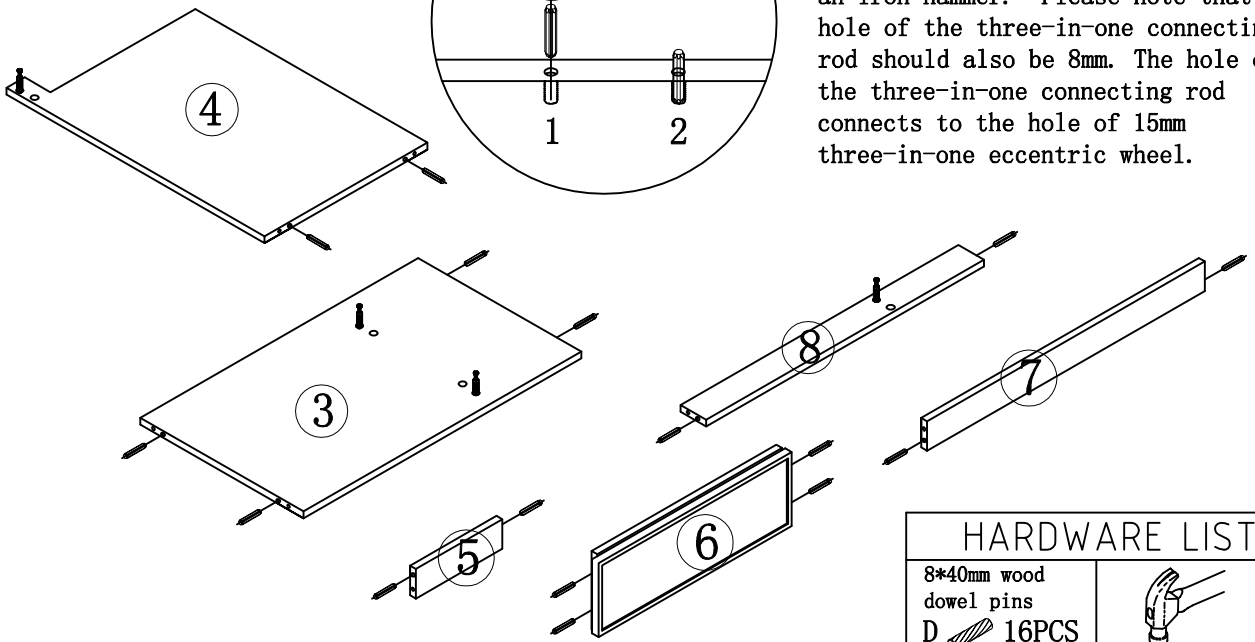
1. Put the three-in-one connecting rod in the 10mm hole of the following panels and tighten them with a cross screwdriver or an electric tool.

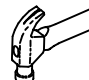


STEP 2

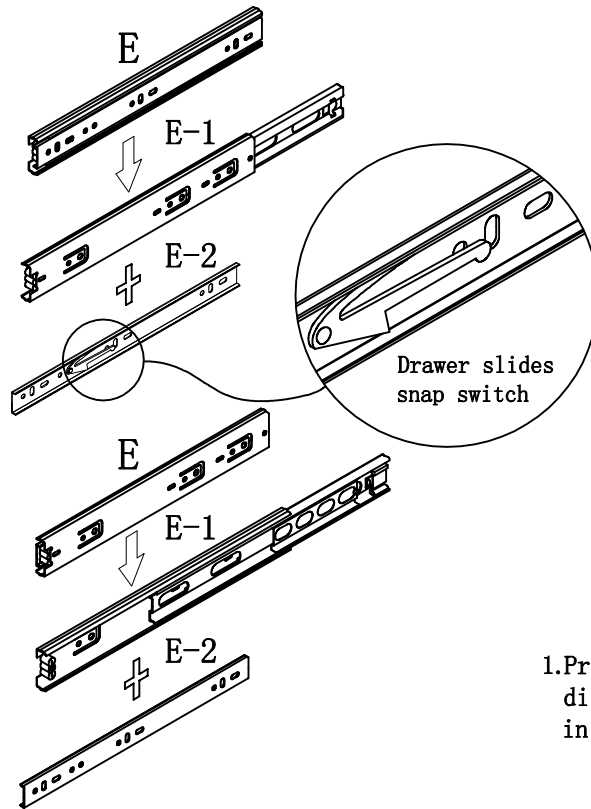




1. Strike the 08*40mm wood dowel pin into the 8m hole of the above panels with an iron hammer. Please note that the hole of the three-in-one connecting rod should also be 8mm. The hole of the three-in-one connecting rod connects to the hole of 15mm three-in-one eccentric wheel.



HARDWARE LIST	
8*40mm wood dowel pins D 16PCS	

STEP 3

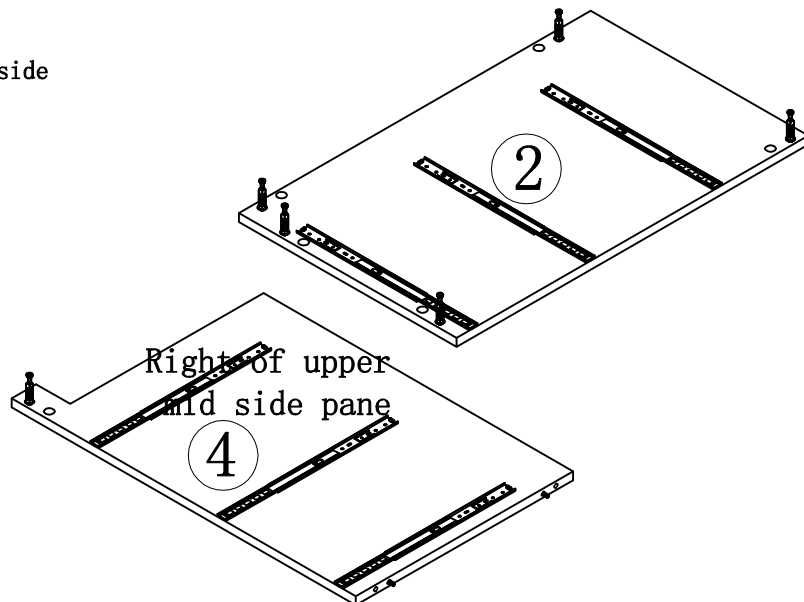
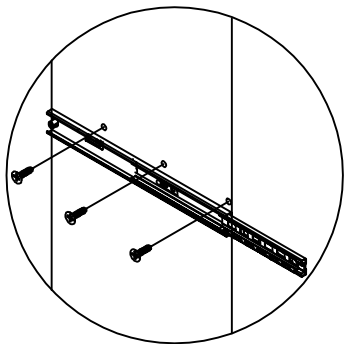





HARDWARE LIST	
Drawer slides	
E  6PCS	

1. Press the slide snap switch, disassemble slide blocks and put them in a place properly for further use.

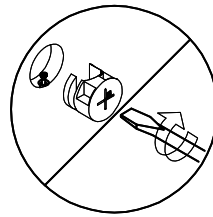
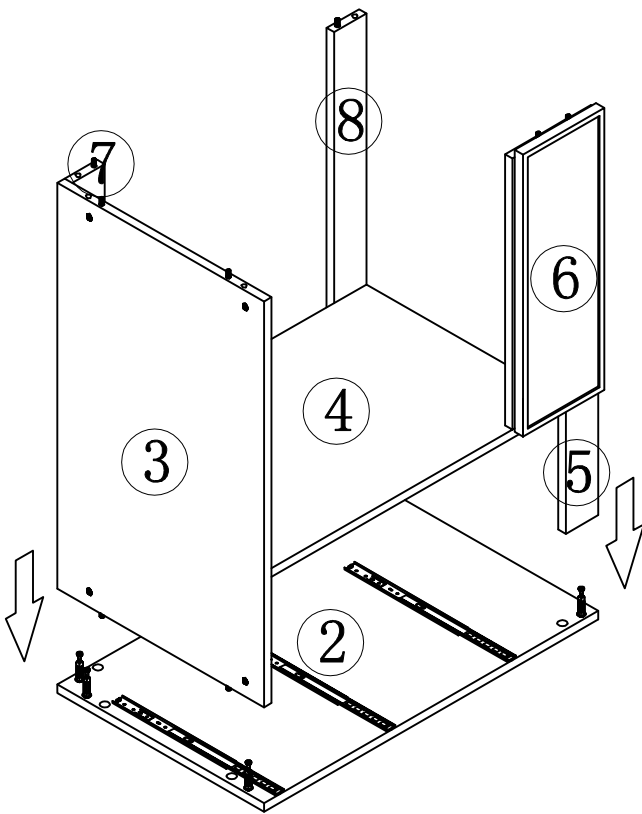
STEP 4

1. Fix the drawer slide to the side panel with 4*16mm screws.

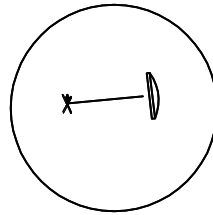


HARDWARE LIST		
4*16mm screw	Drawer slides	
F  18PCS	E-1  6PCS	




STEP 5



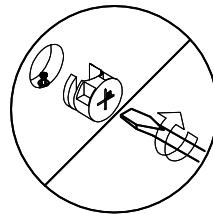
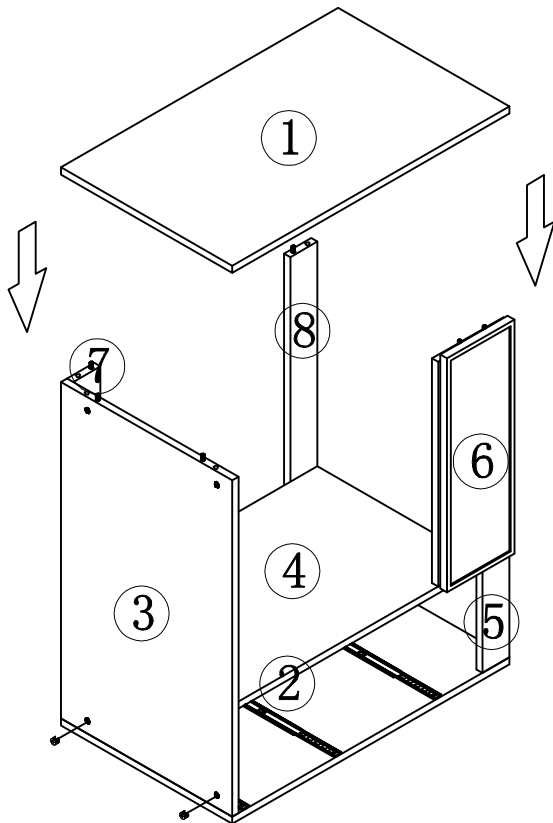
1. Connect No. 3-5-7-8 panel to No. 2 panel tightly with the three-in-one eccentric wheel.



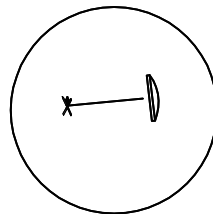
2. Cover the mounting hole of the eccentric wheel with a three-in-one sticker.

HARDWARE LIST		
Three-in-one eccentric wheel A  11PCS	Three-in-one sticker C  11PCS	




STEP 6



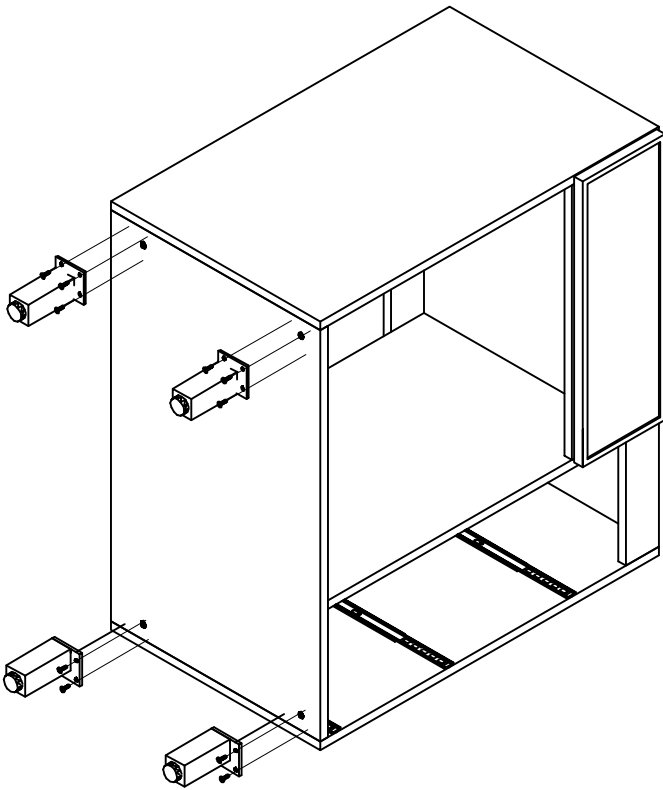
1. Connect No. 1 panel to No. 3-6-7-8 panel tightly with the three-in-one eccentric wheel.



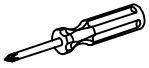

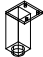
2. Cover the mounting hole of the eccentric wheel with a three-in-one sticker.

HARDWARE LIST		
Three-in-one eccentric wheel A  6PCS	Three-in-one sticker C  6PCS	

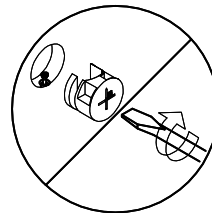
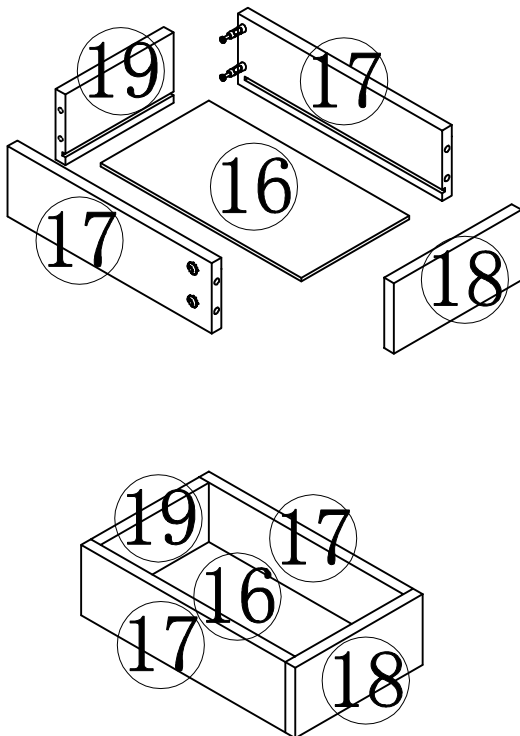
STEP 7



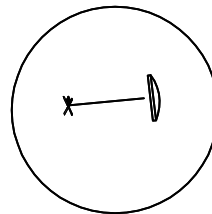
1. Fix feet of the cabinet with 4*16mm screws.

HARDWARE LIST		
4*16mm screw	Aluminum alloy leg	
F  12PCS	J  4PCS	

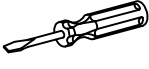

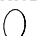
STEP 8



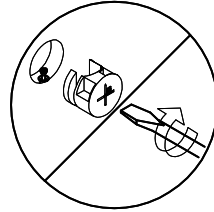
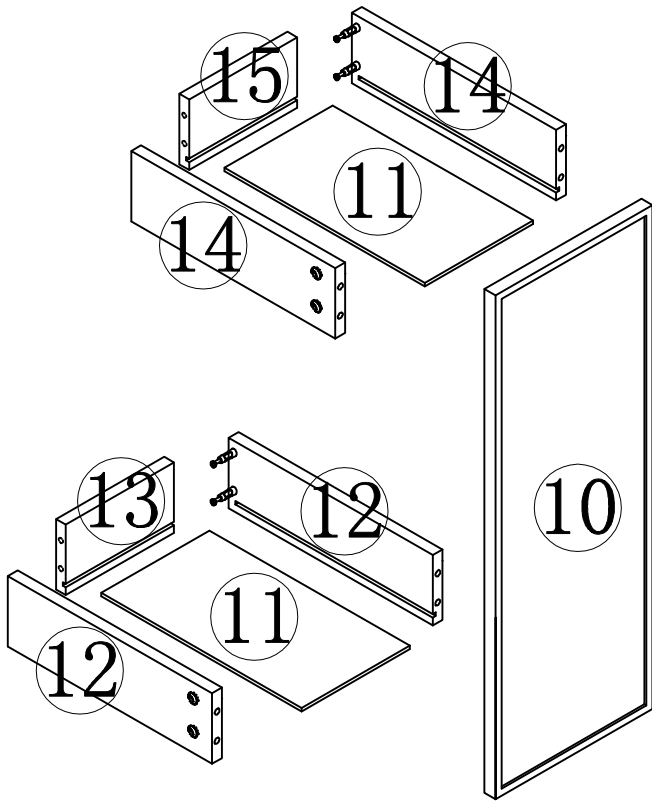
1. Install No. 16-17-18-19 panels with the three-in-one eccentric wheel tightly.



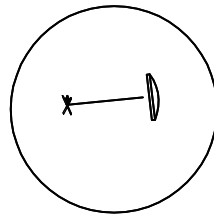
2. Cover the mounting hole of the eccentric wheel with a three-in-one sticker.

HARDWARE LIST		
Three-in-one eccentric wheel	Three-in-one sticker	
A  8PCS	C  8PCS	

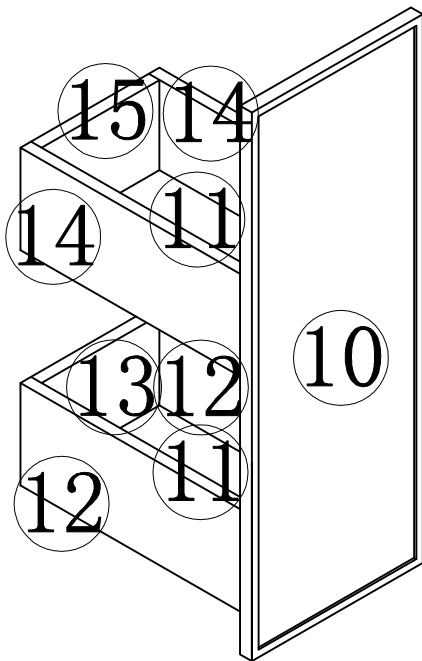
STEP 9


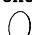
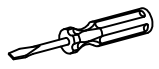


1. Install No. 10-11-12-13-14-15 panels with the three-in-one eccentric wheel tightly.

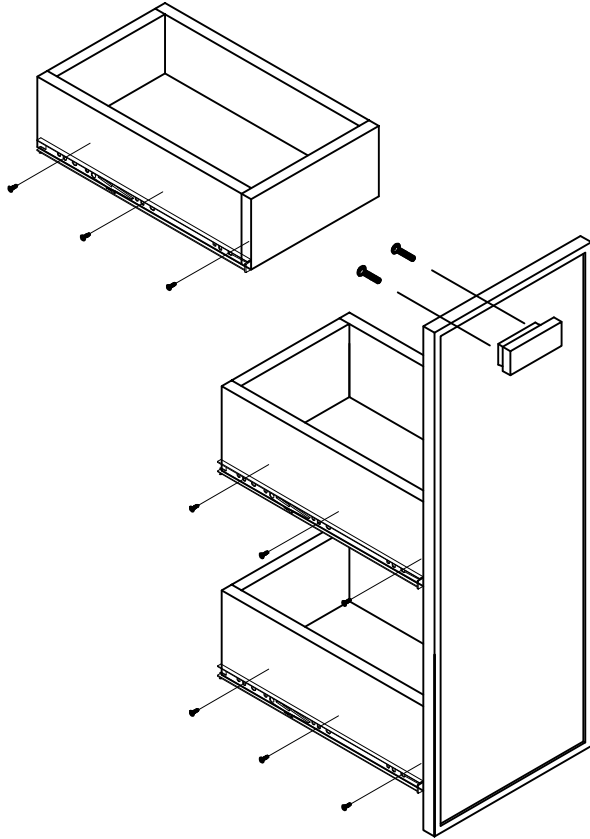


2. Cover the mounting hole of the eccentric wheel with a three-in-one sticker.

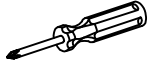






HARDWARE LIST		
Three-in-one eccentric wheel A  16PCS	Three-in-one sticker C  16PCS	

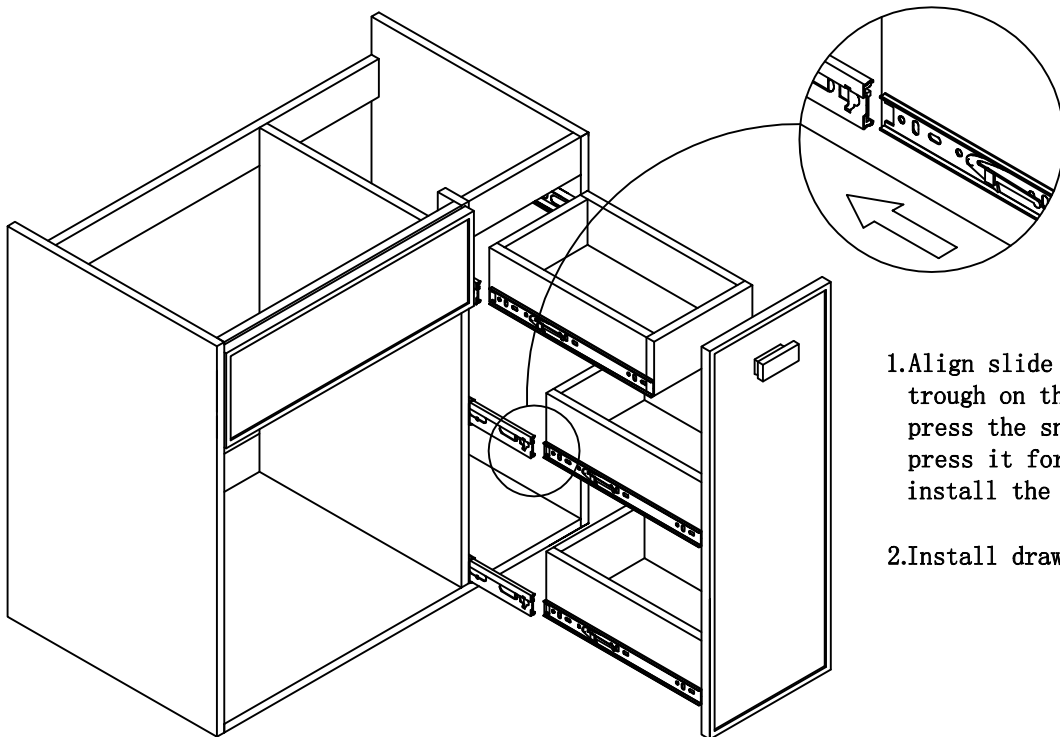
STEP 10



- 1.Lock the spare drawer slide block to the drawer.
- 2.Install the drawer handle with 4*20 handle screws.

HARDWARE LIST		
4*16mm screw	Drawer slides	
F  18PCS	E-2  6PCS	
4*20mm screw	Drawer handle	
G  2PCS	I  1PCS	

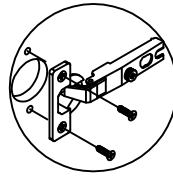
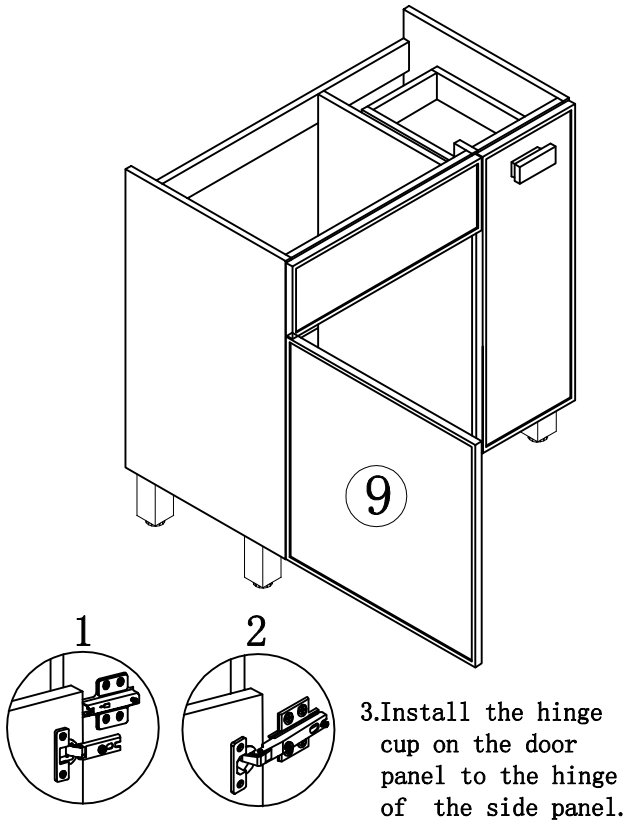
STEP 11



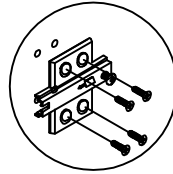
- 1.Align slide block with the trough on the guide rail, press the snap switch and press it forward to install the drawer.

- 2.Install drawer handles.

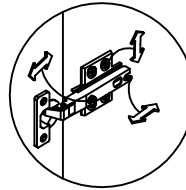
STEP 12



1. Install the hinge cup to the door panel with 4*16mm screws.



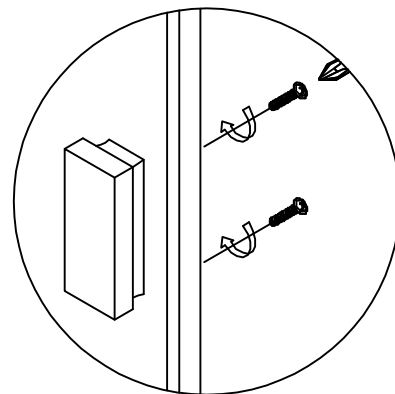
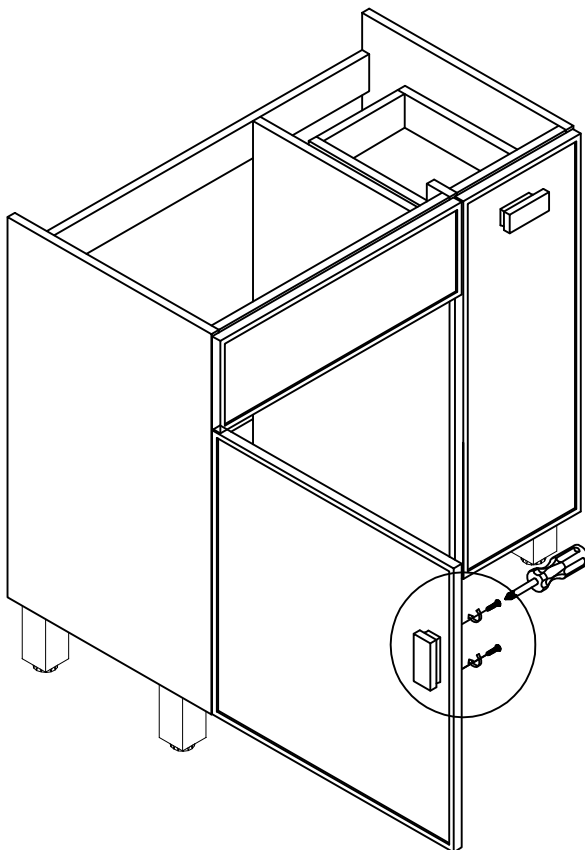
2. Install the hinge to the side panel with 4*16mm screws.



4. Adjust the door panel clearance.

HARDWARE LIST		
4*16mm screw	Door hinge	
F  12PCS	K  2PCS	

STEP 13



1. Install the door handle with 4*20mm handle screws.

HARDWARE LIST		
4*20mm screw	Door handle	
G  2PCS	H  1PCS	



Choking hazard-Small Parts : This unit contains small parts, not for children under 3 years.

Tip-over hazard : Secure finished unit to wall stud using L-Bracket and wall screw (#10*1.5"W/out provided). If a wall stud is not neccessible , Consault your local hardware store for appropriate mounting hardware . Failure to properly install will result in product collapse or tip-over. Serious injury can occur .