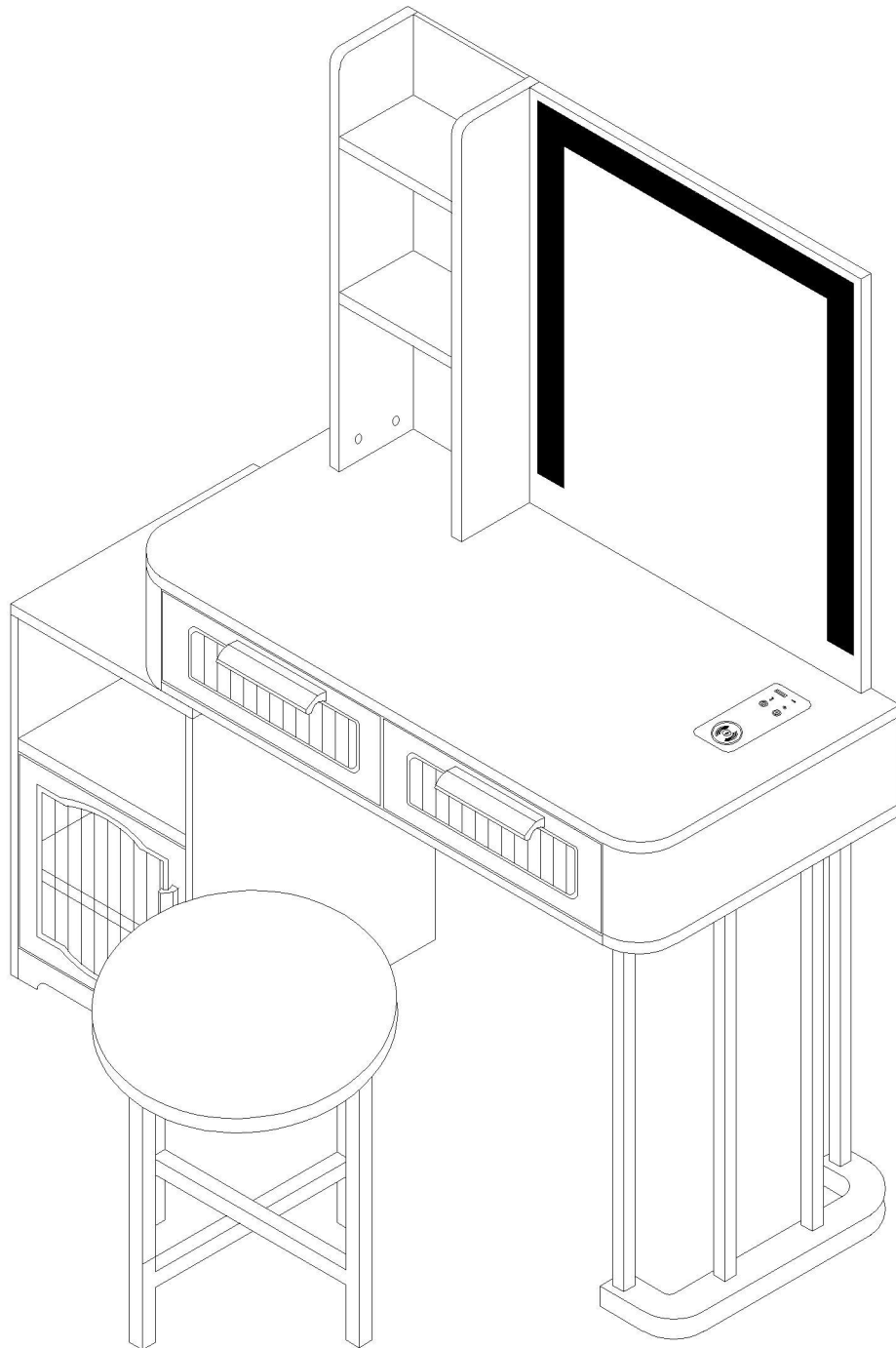
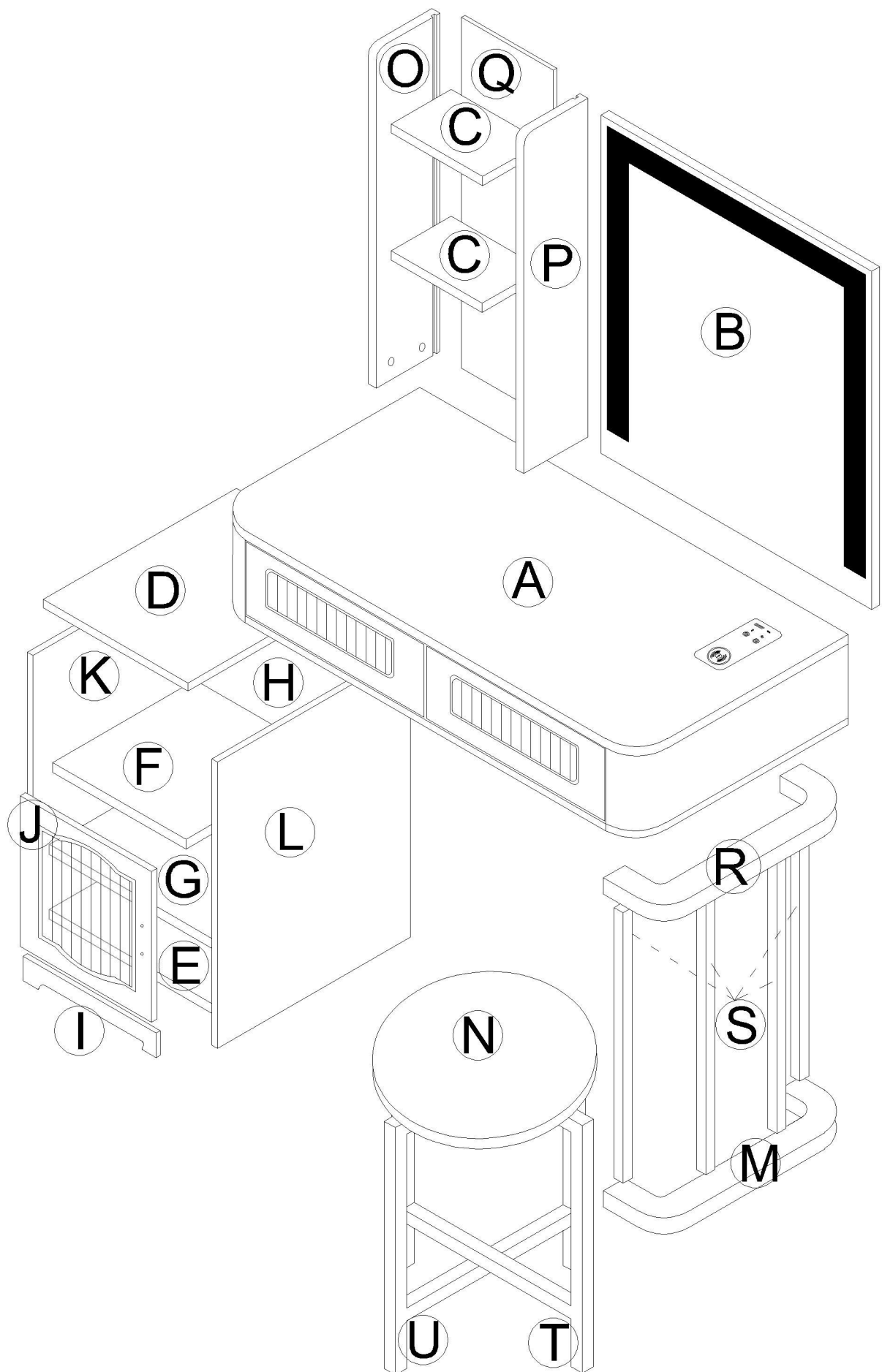


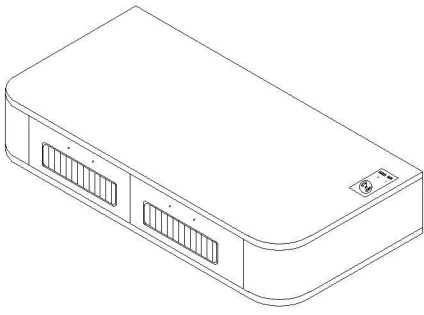
Vanity Table Manual



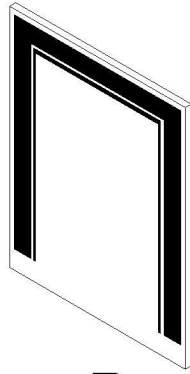
Vanity Table Manual



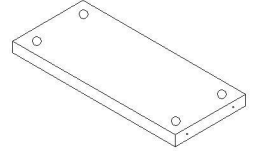
Hardware list



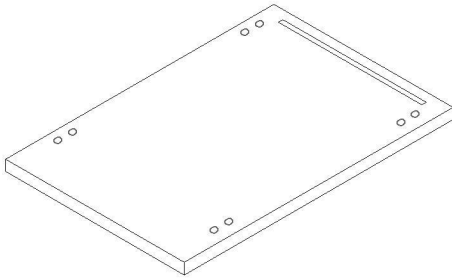
A



B

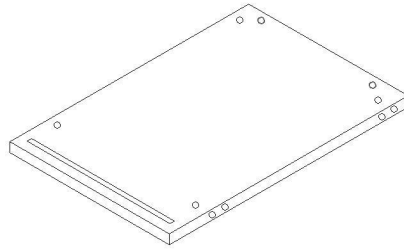


Cx2



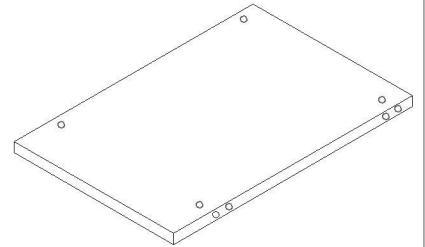
360x400mm

D



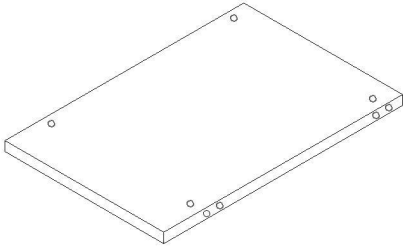
380x335mm

E



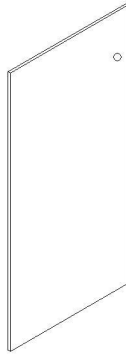
375x335mm

F

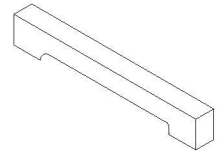


357x335mm

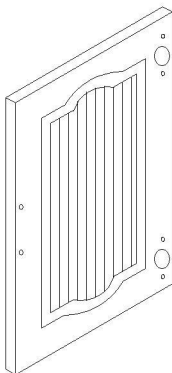
G



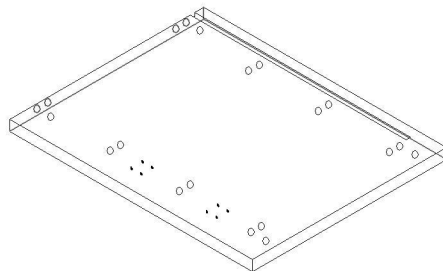
H



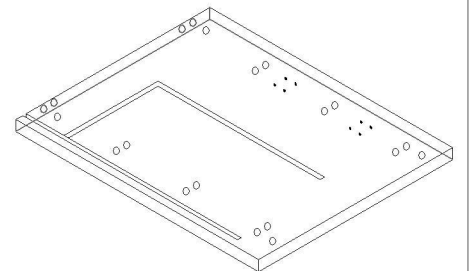
I



J

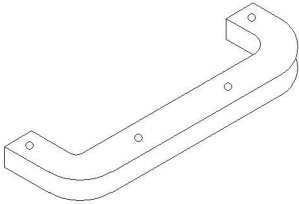


K

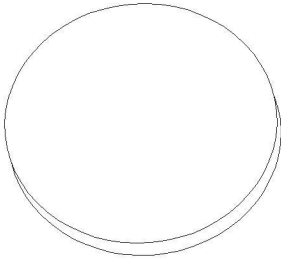


L

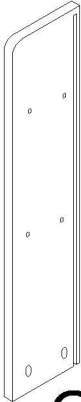
Hardware list



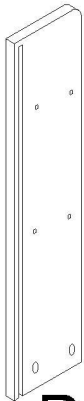
M



N



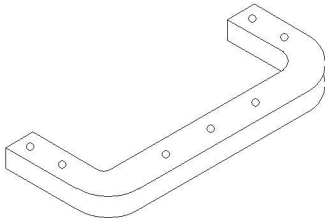
O



P



Q

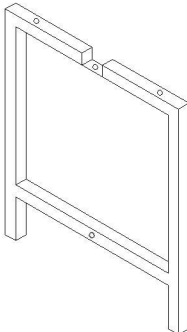


R

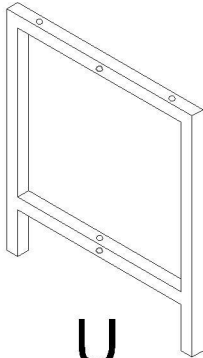


(Size: 570mm)

Sx4

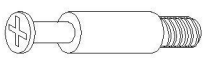

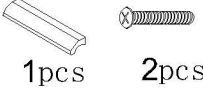
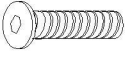
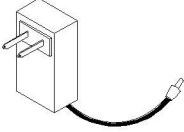


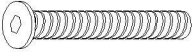
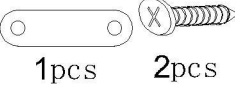
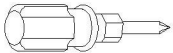

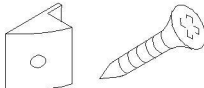


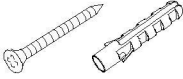

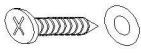


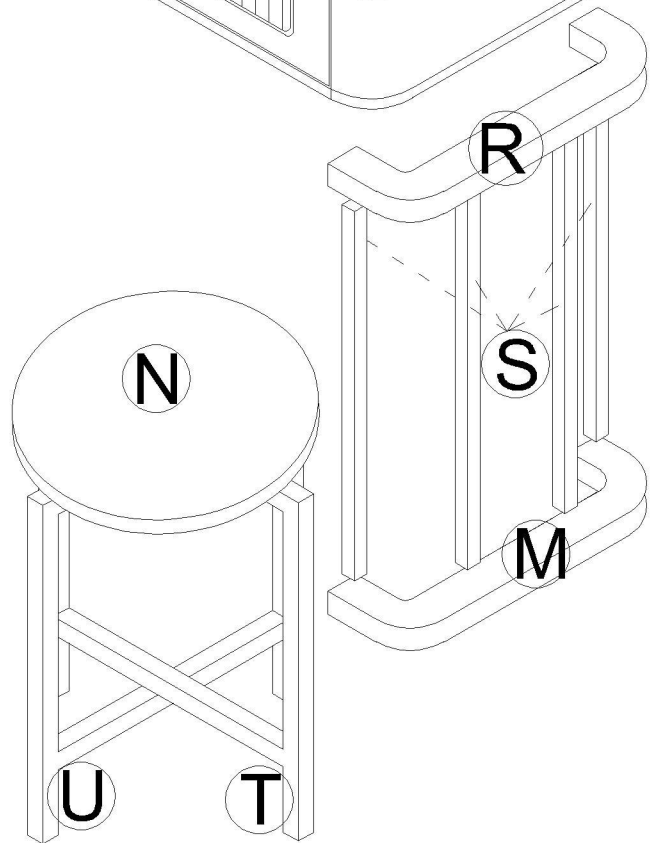
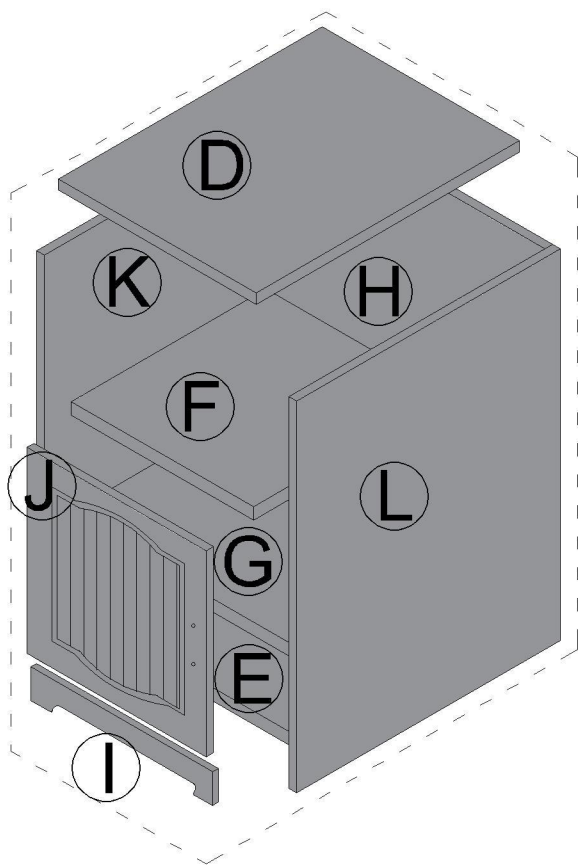
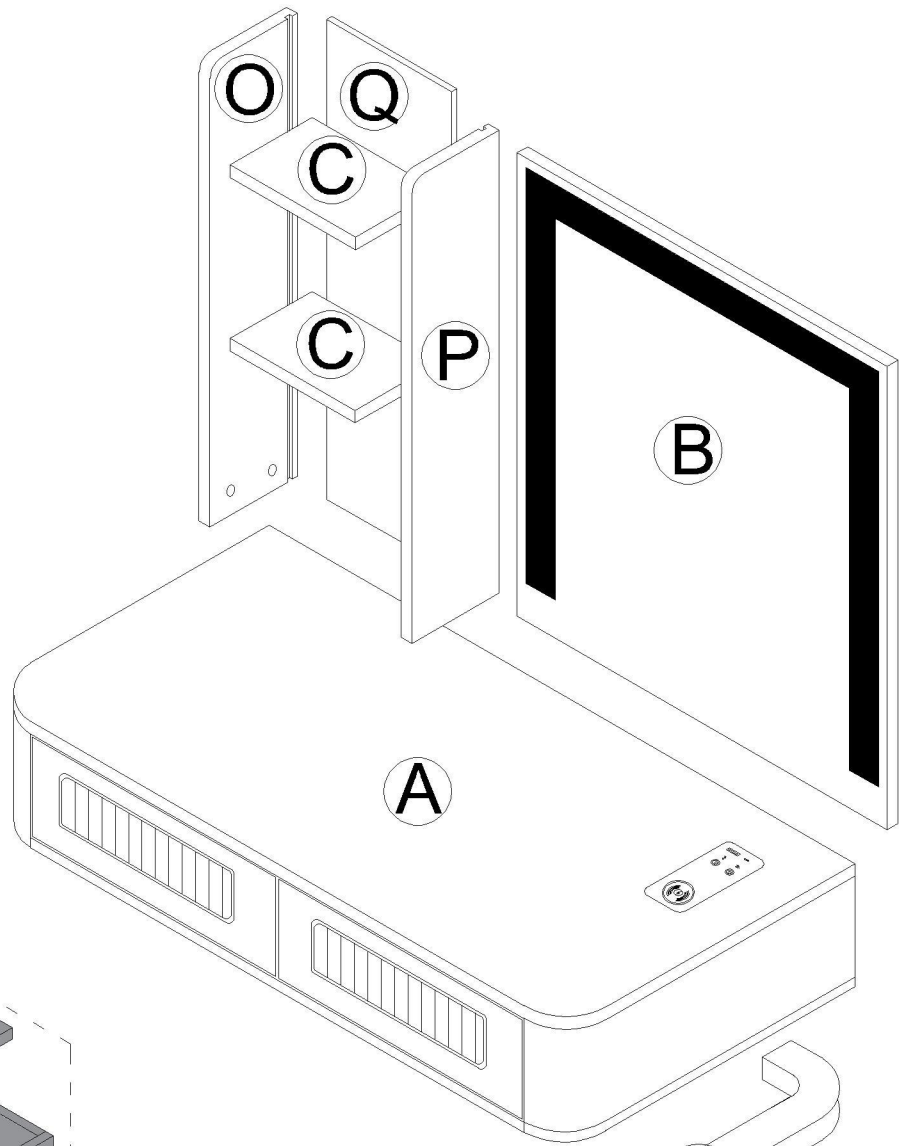
T




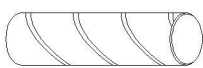
U

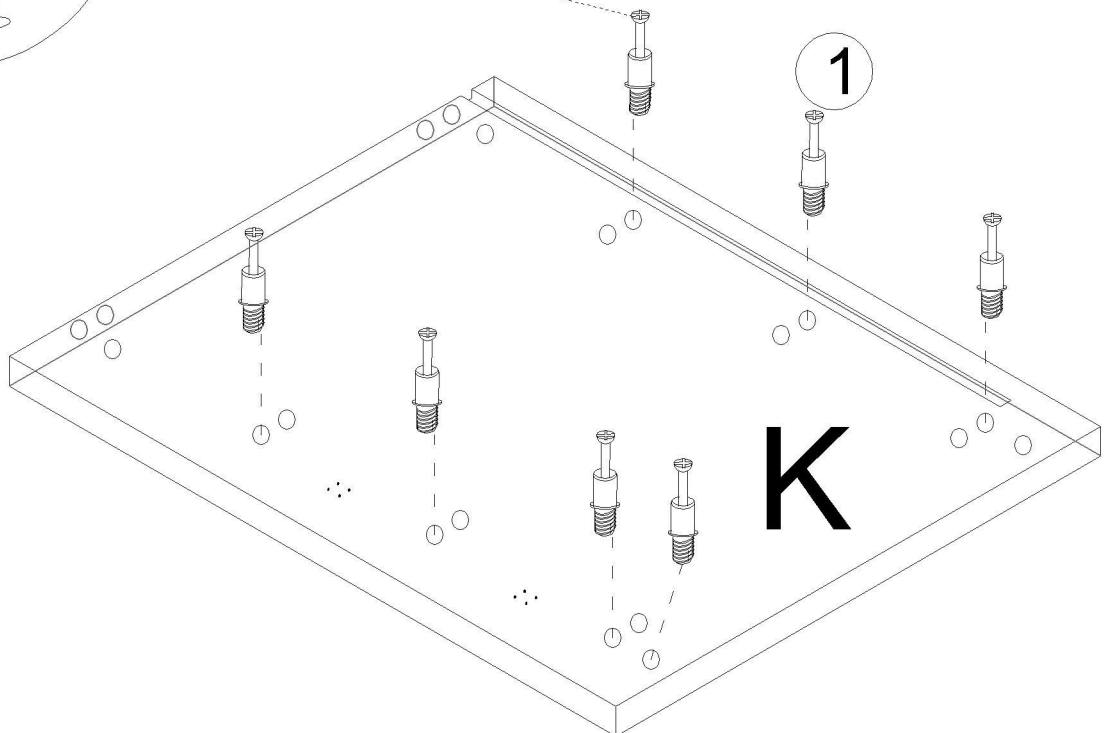
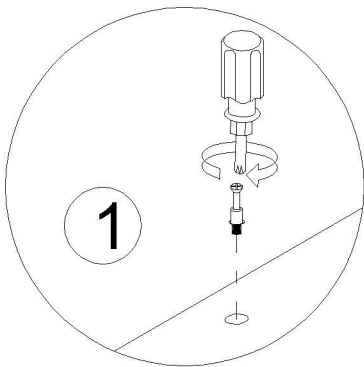
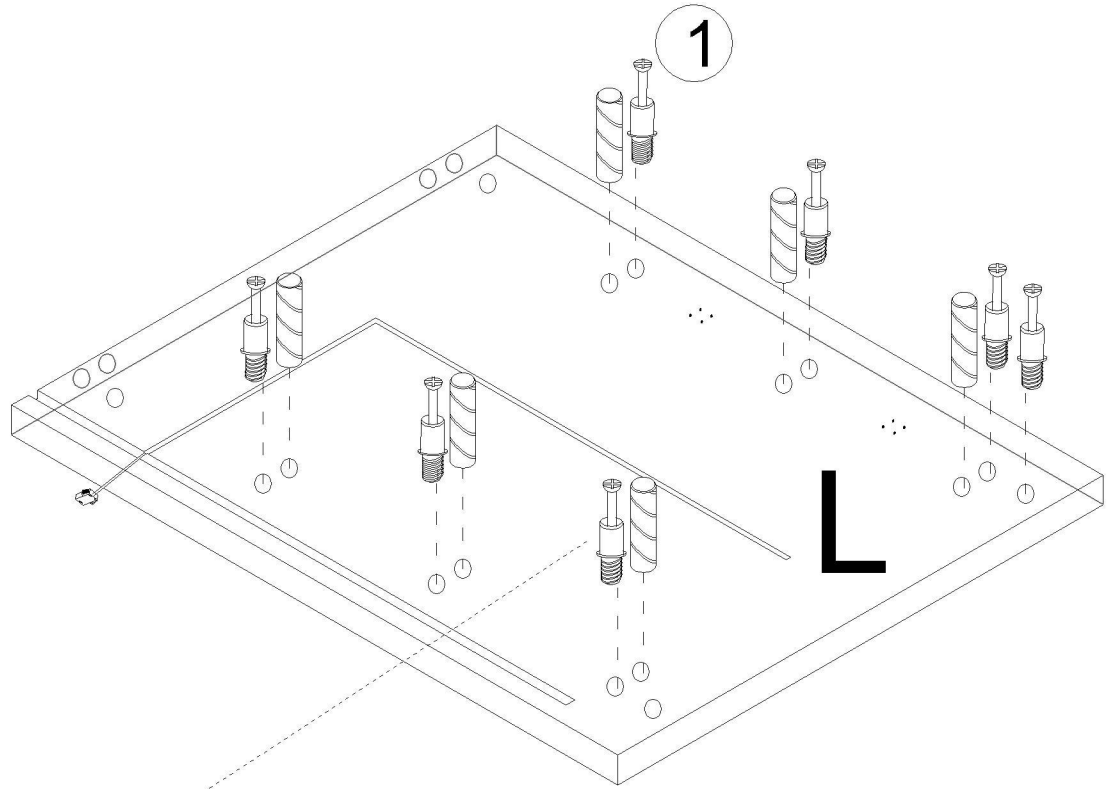
Accessories list

①		Two in one screw (6x28mm)	34 Pcs
②		Two in one nut (10x12mm)	34 Pcs
③		Cross machine wire (4x16mm)	3 Pcs
④		Countersunk head tapping screw (6x16mm)	1 Pcs
⑤		The power adapter	1 Pc
⑥		Wood chipping (6x30mm)	16 Pcs
⑦		Hexagon socket screwdriver H4	1 Pcs
⑧		Countersunk head tapping screw (6x30mm)	16 Pcs
⑨		Iron gasket & Self tapping screw(3x10)	2 Pcs
⑩		Cross screwdriver	1 Pcs
⑪		Protective sticker	14 Pcs
⑫		Back plate buckle & Screw (3x16mm)	4 Pcs
⑬		Corner code(30x30x1.5)(3.5x12)	2 Pcs
⑭		Countersunk head tapping screw (3x10mm)	2 Pcs
⑮		Countersunk head tapping screw (4x45mm)	1 Pcs
⑯		anti-tipping tape	1 Pcs
⑰		Countersunk head tapping screw (4x16mm) gasket	1 Pcs



Step 1

1		x 14
6		x 6

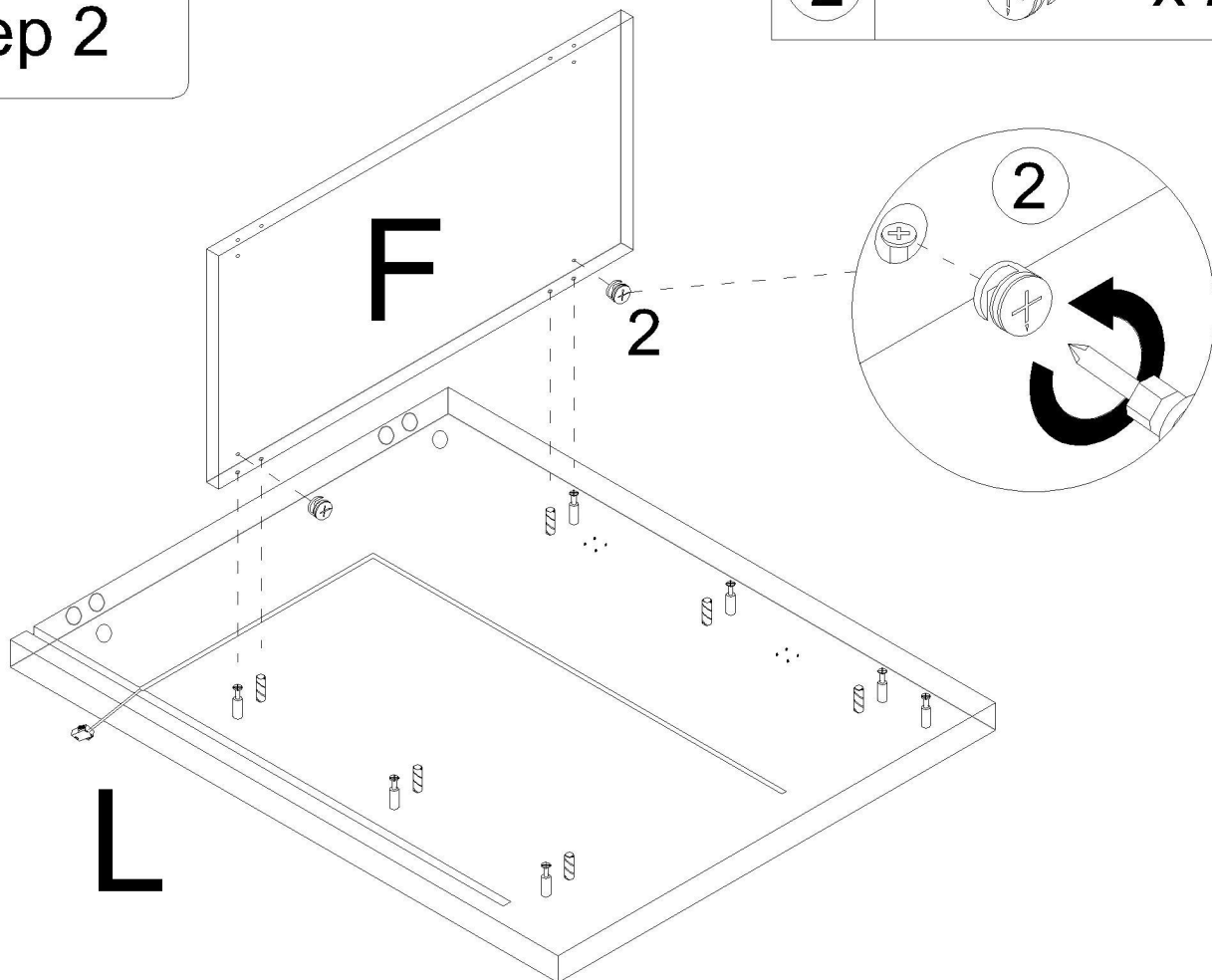


Step 2

2



x 2

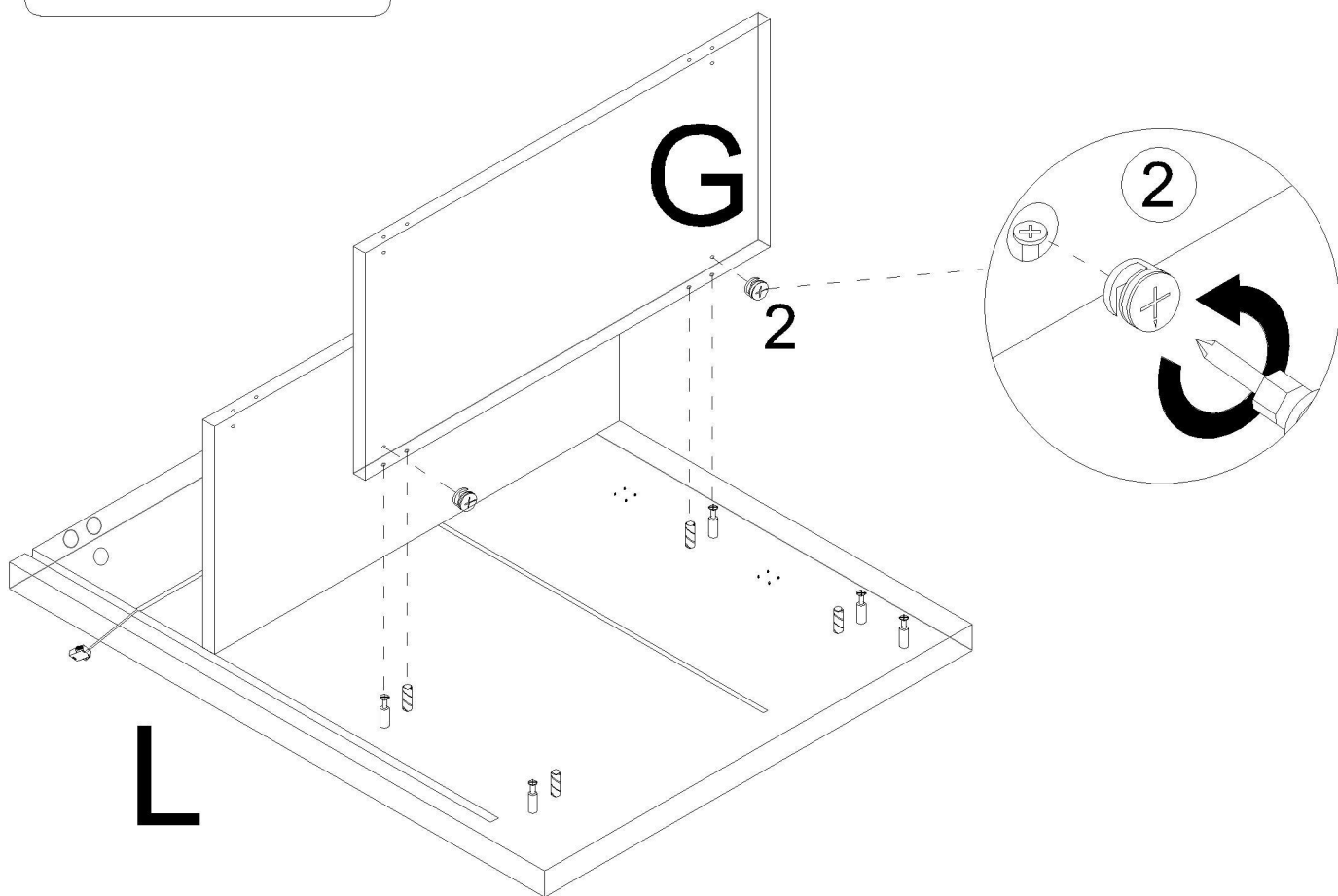


Step 3


2

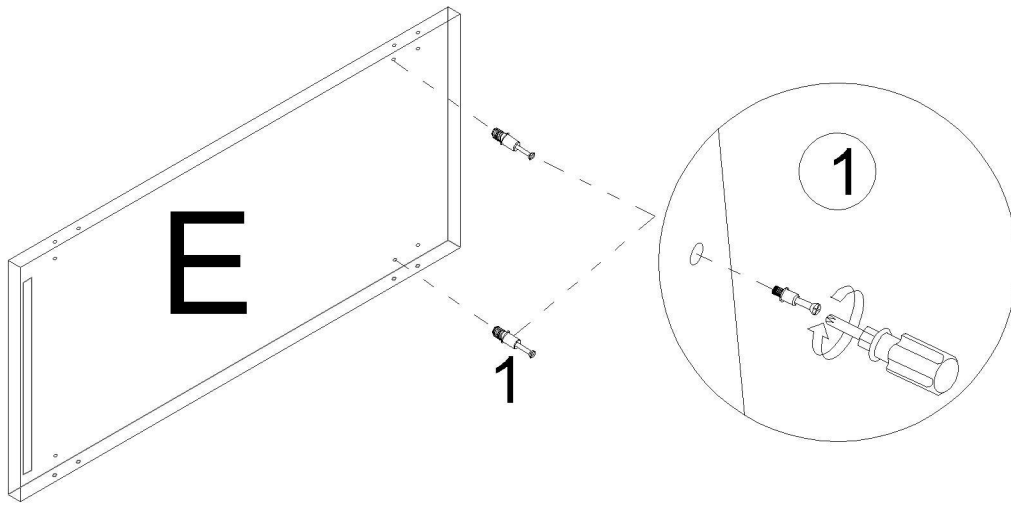


x 2



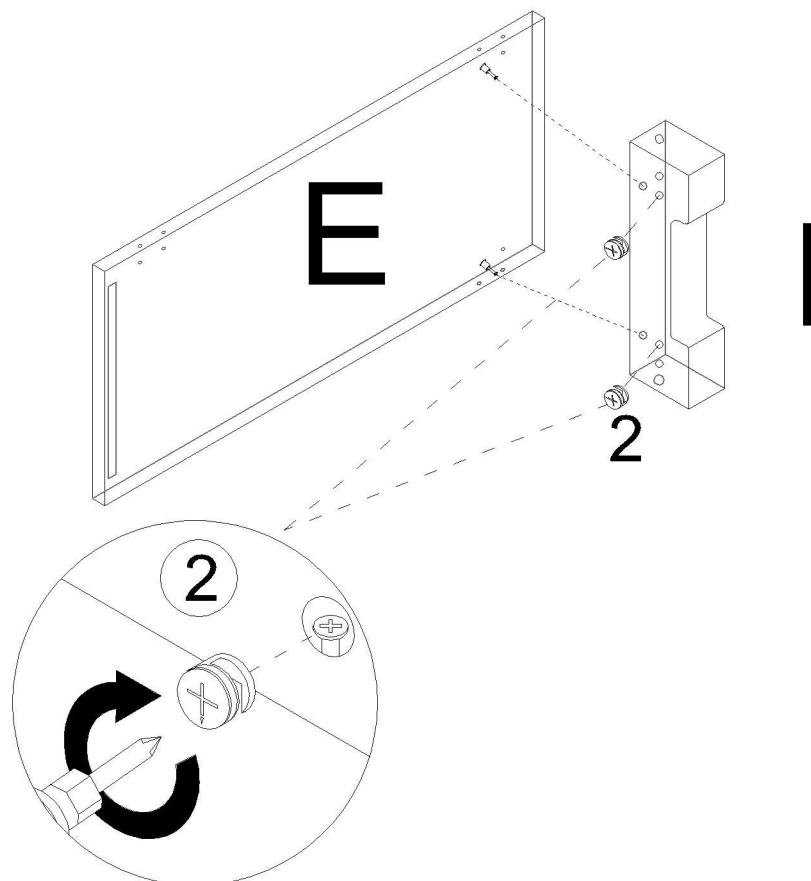
Step 4

1  x 2



Step 5

2  x 2

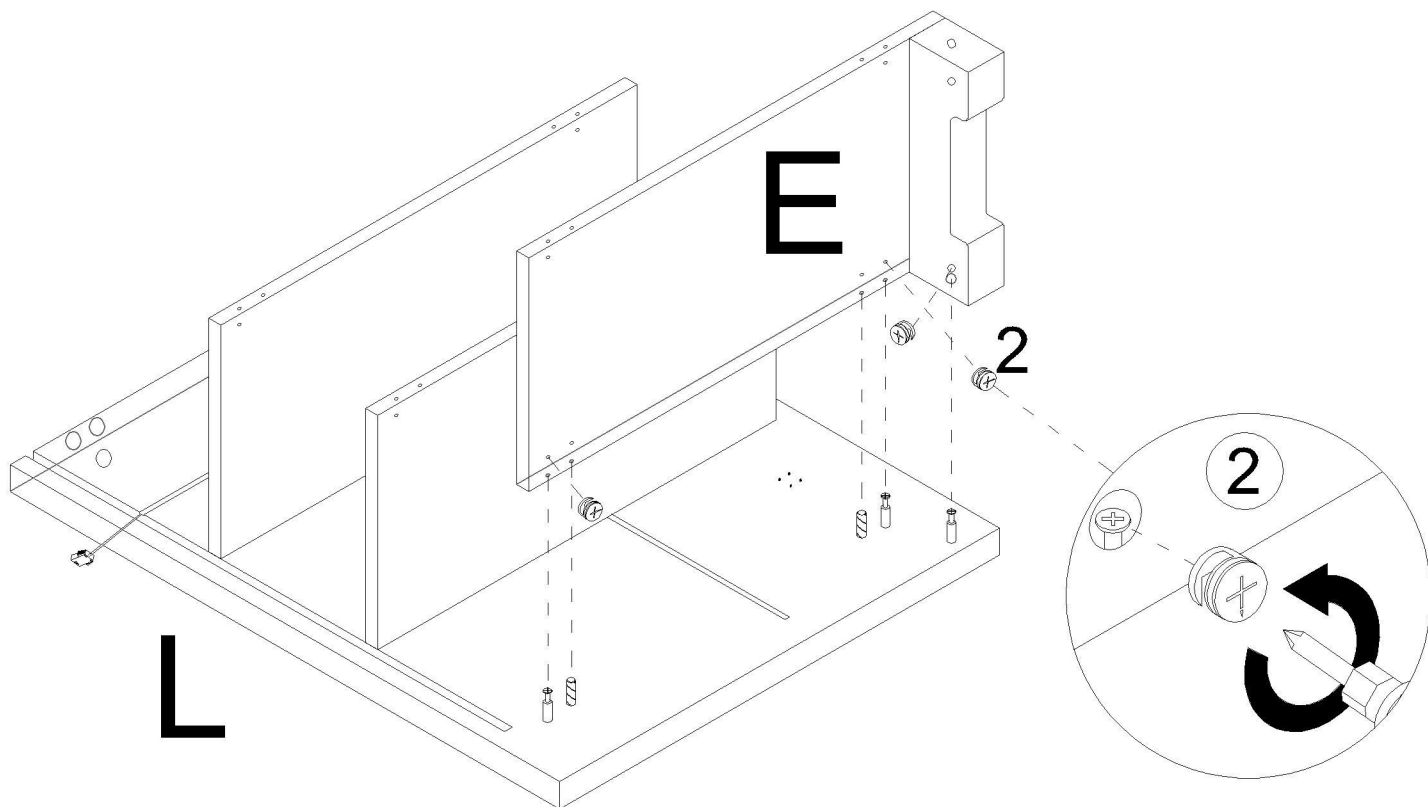


Step 6

2



x 3



Step 7

2

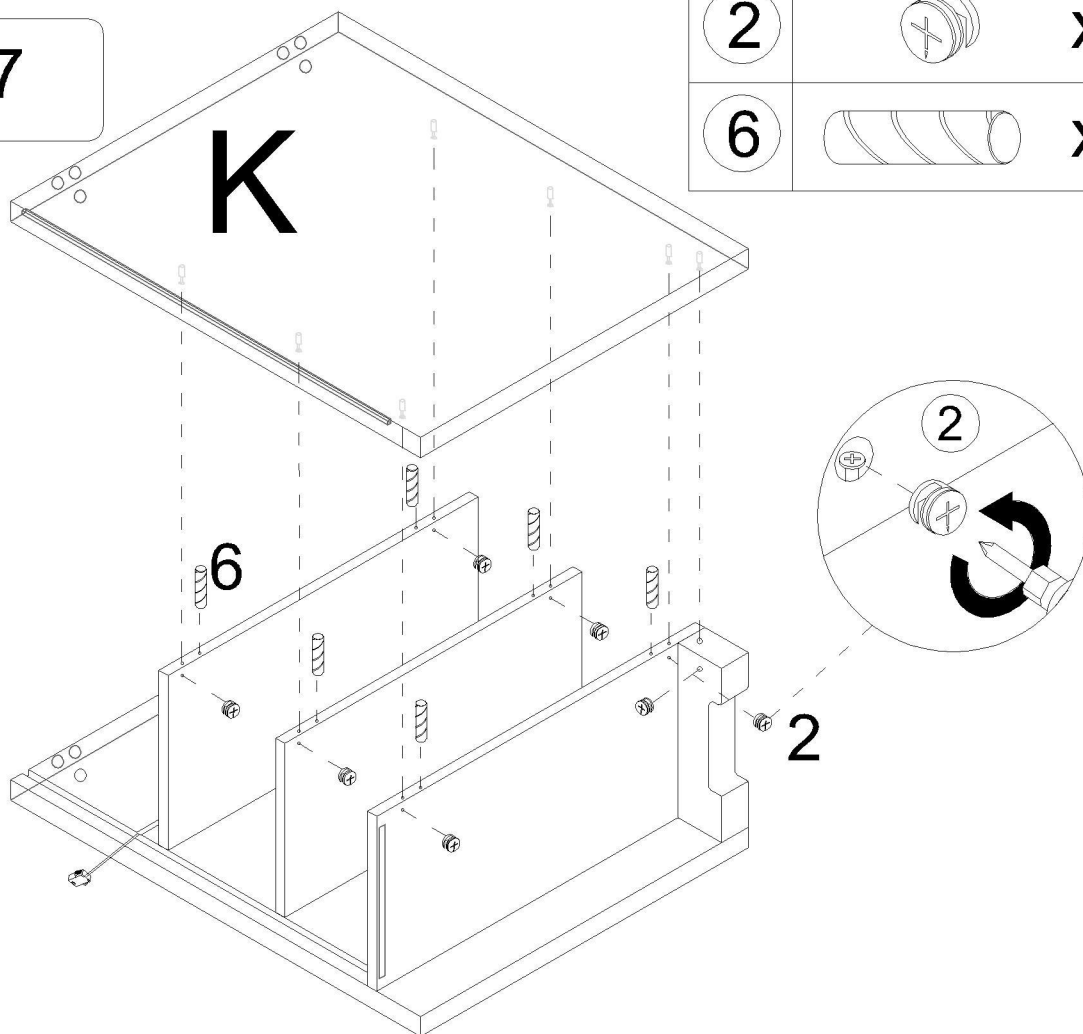


x 7

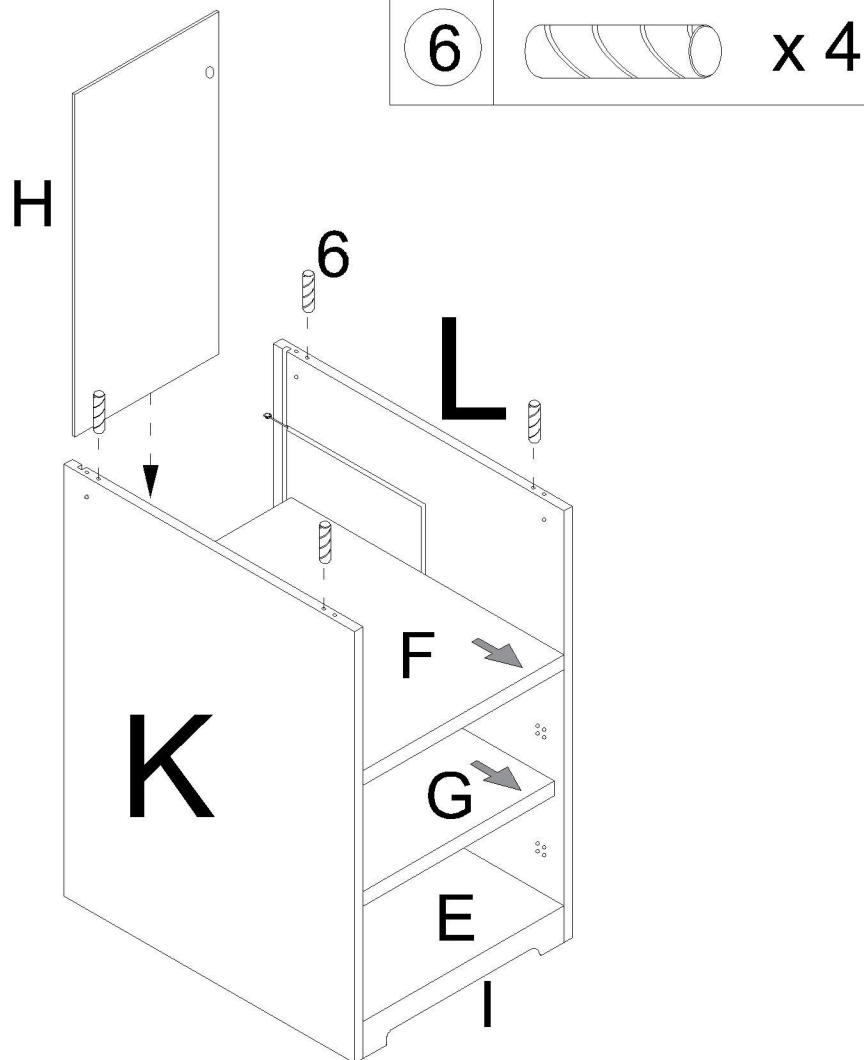
6



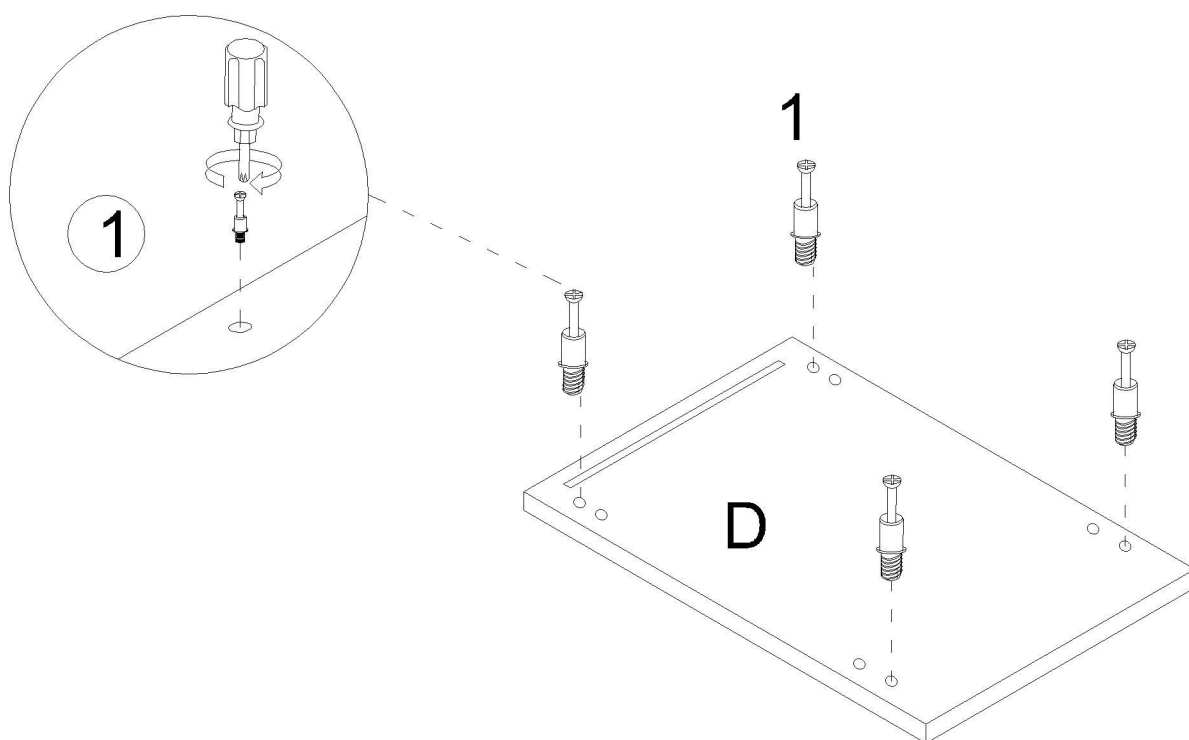
x 6



Step 8

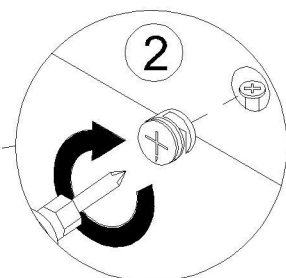
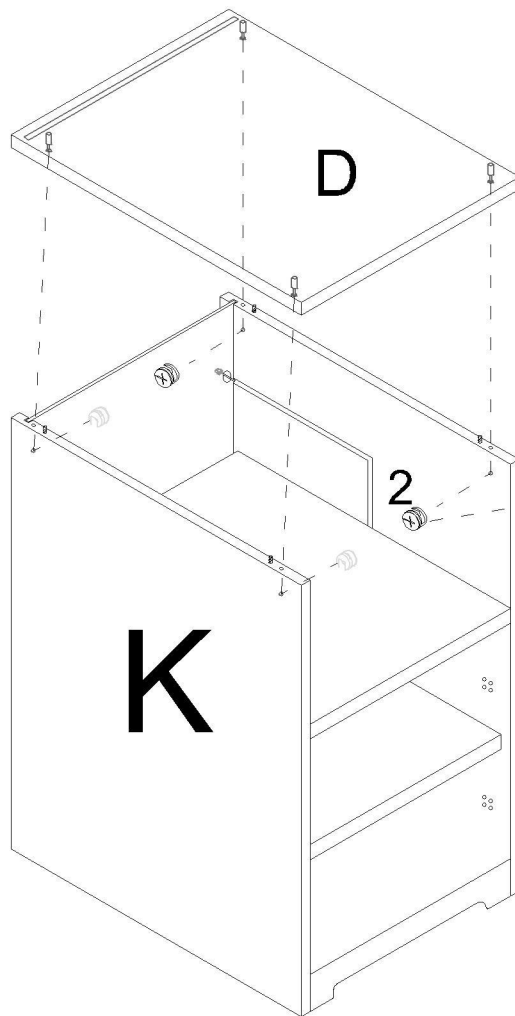


Step 9




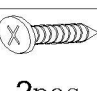


Step 10

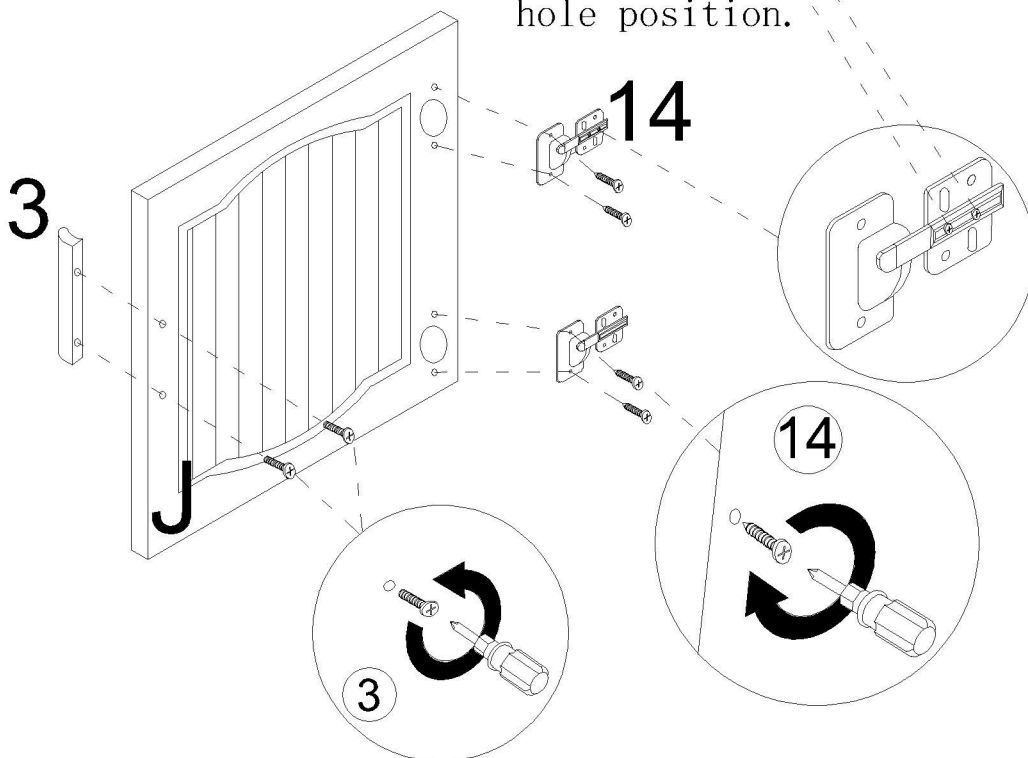
- 2  x 4



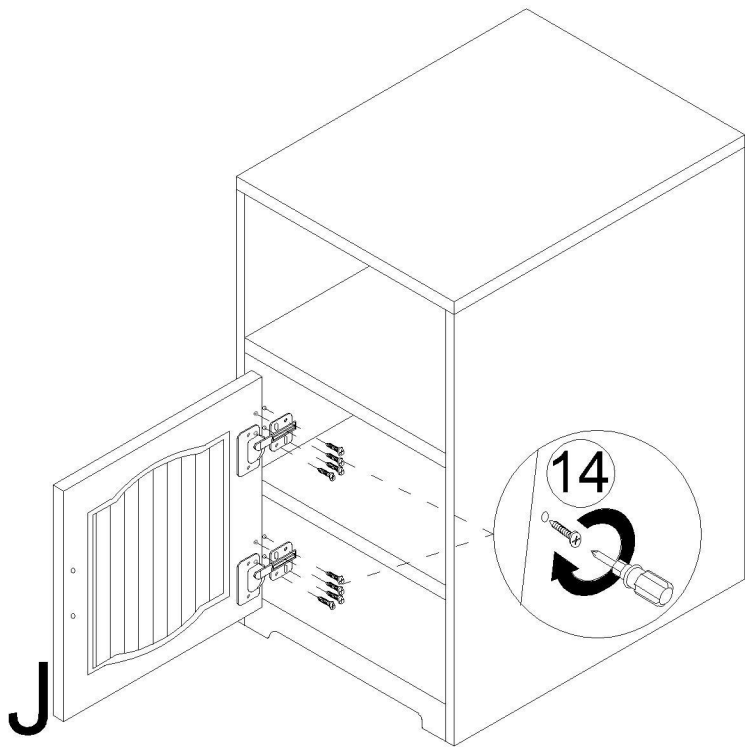
Step 11

- 3  1pcs
- 14  1pcs
-  2pcs x 1
-  2pcs x 2

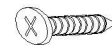
The hinge can be adjusted according to the actual installation hole position.



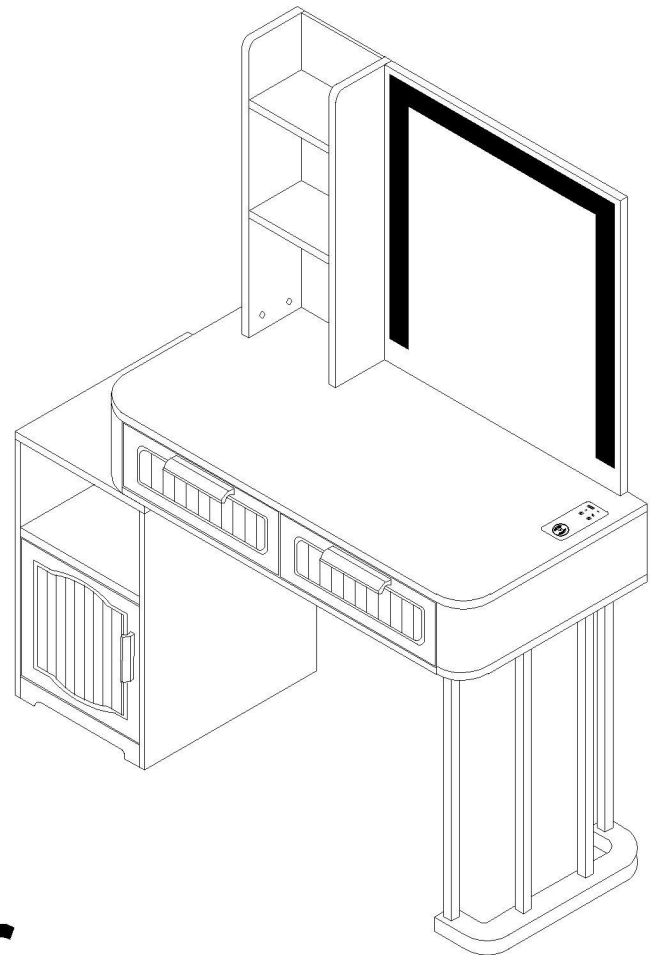
Step 12



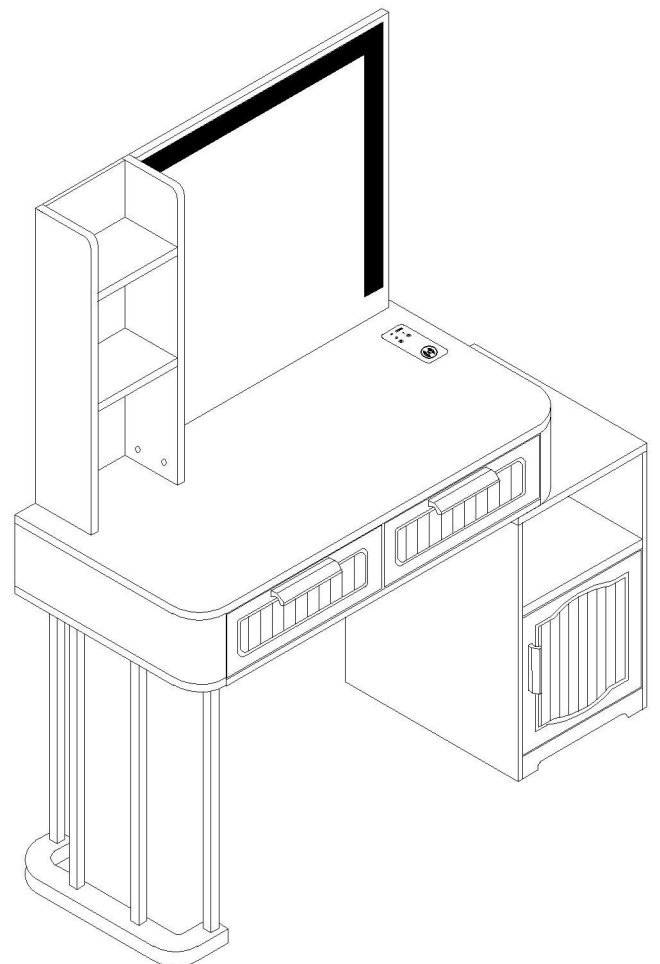
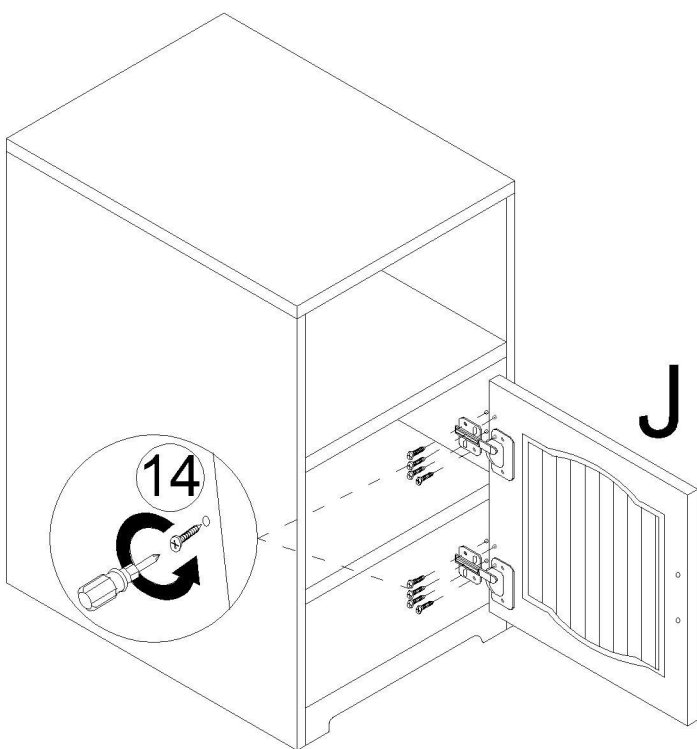
14

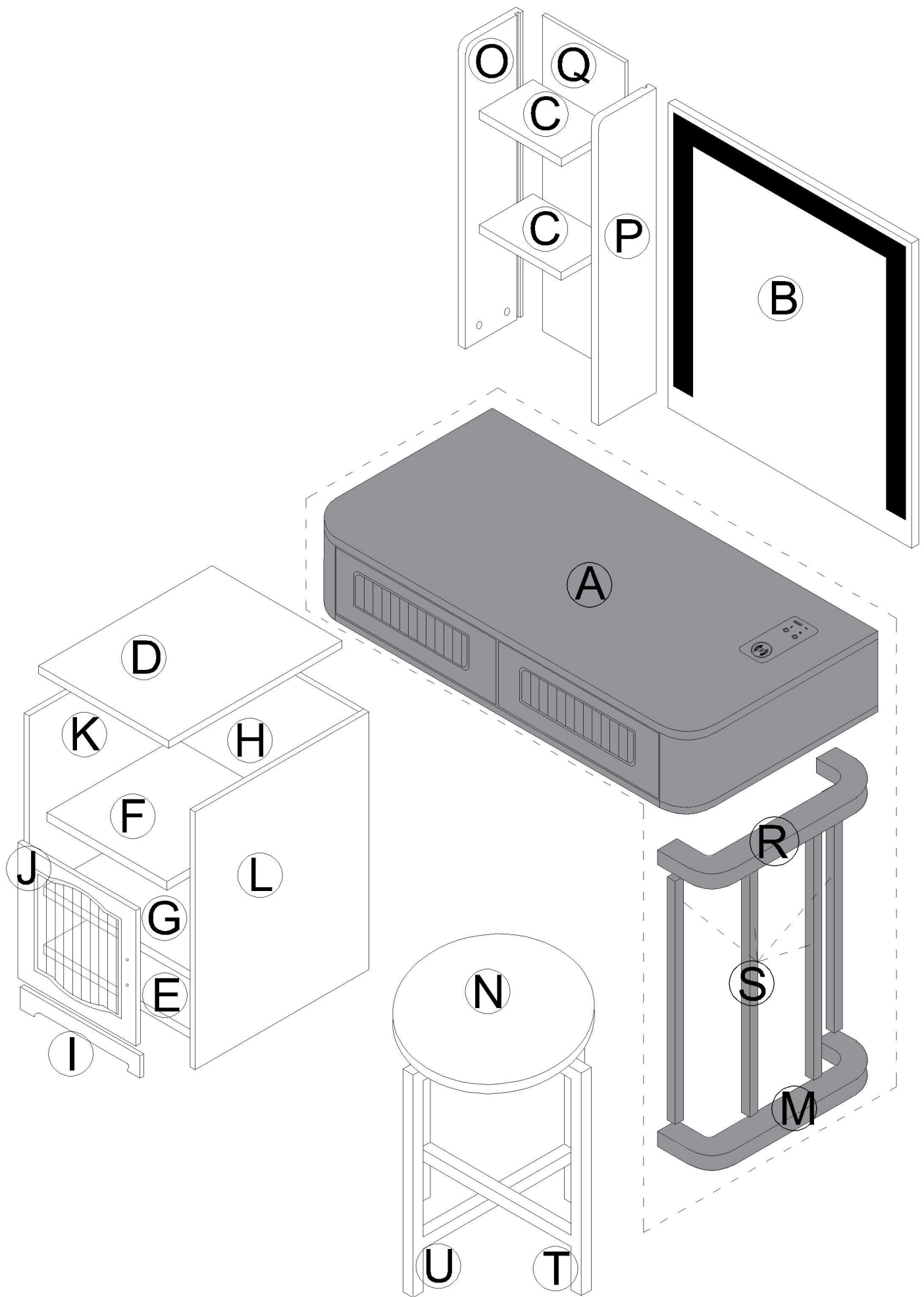


x 8



Or

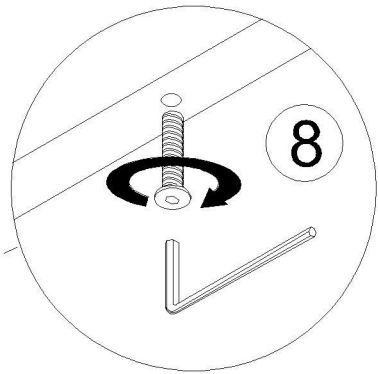
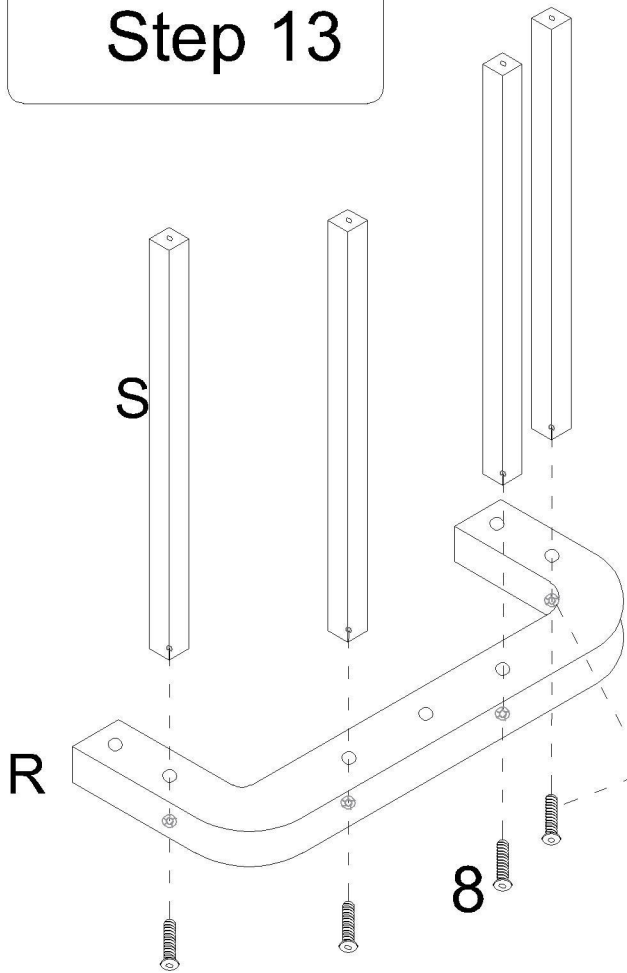




Step 13

8 x 4

7

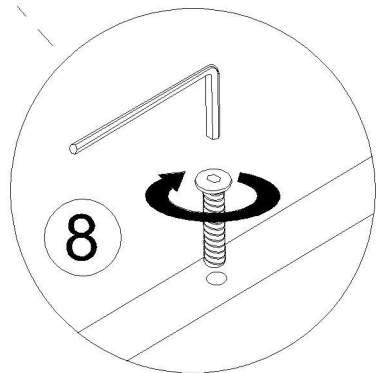
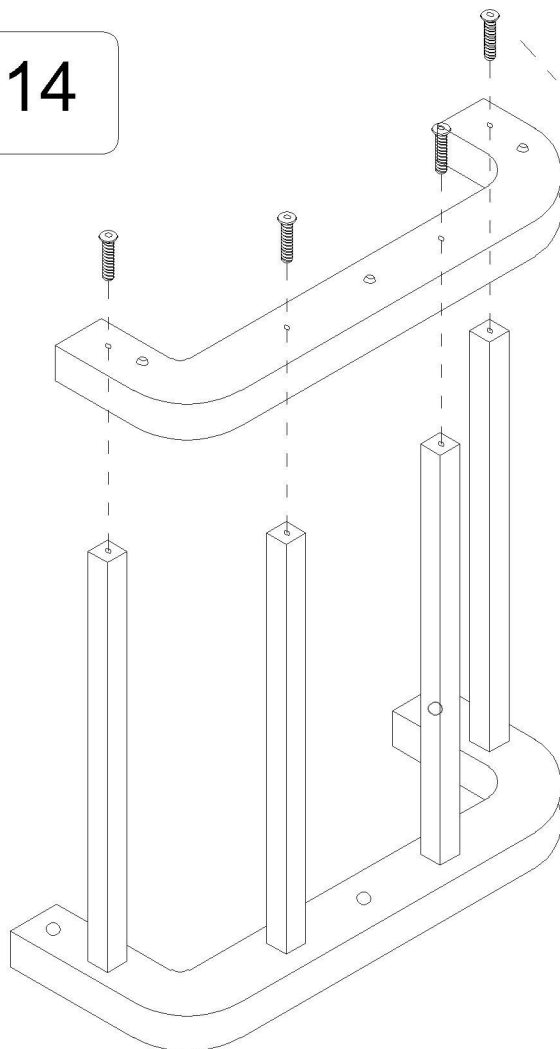


The hole design is misaligned, after the screw is installed, if the screw is higher than the iron plate, it is wrong, and the R wrought iron strip needs to be reversed and reinstalled

Step 14

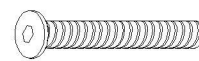
8 x 4

M

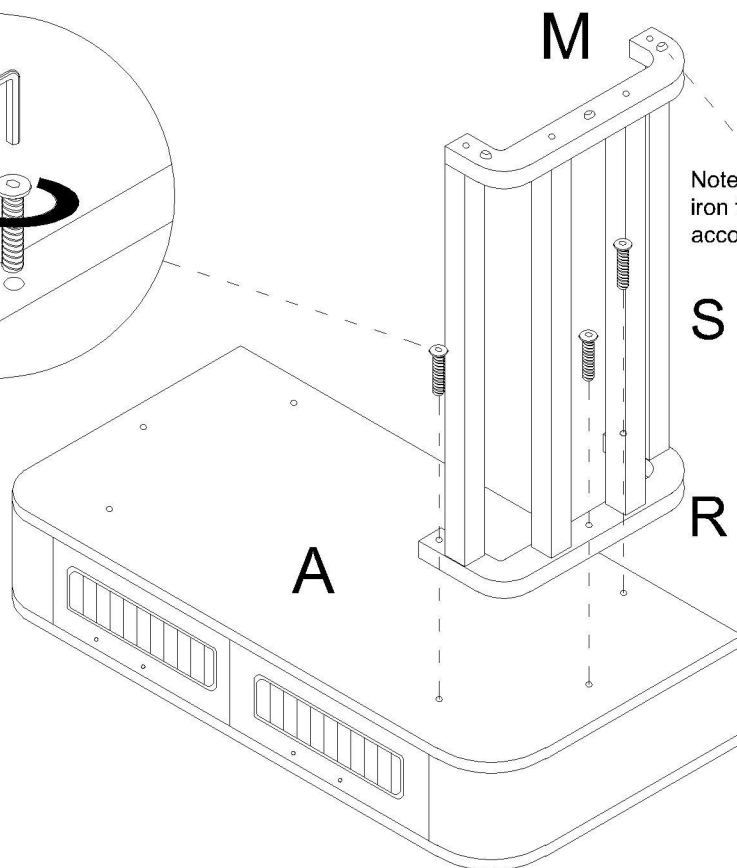
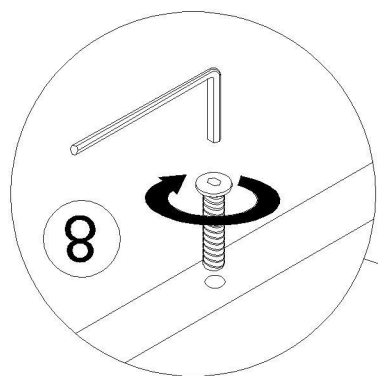


Step 15

8



x 3



Note that the foot pad at the bottom of the iron frame R can be rotated and adjusted according to the actual situation.

Step 16

4

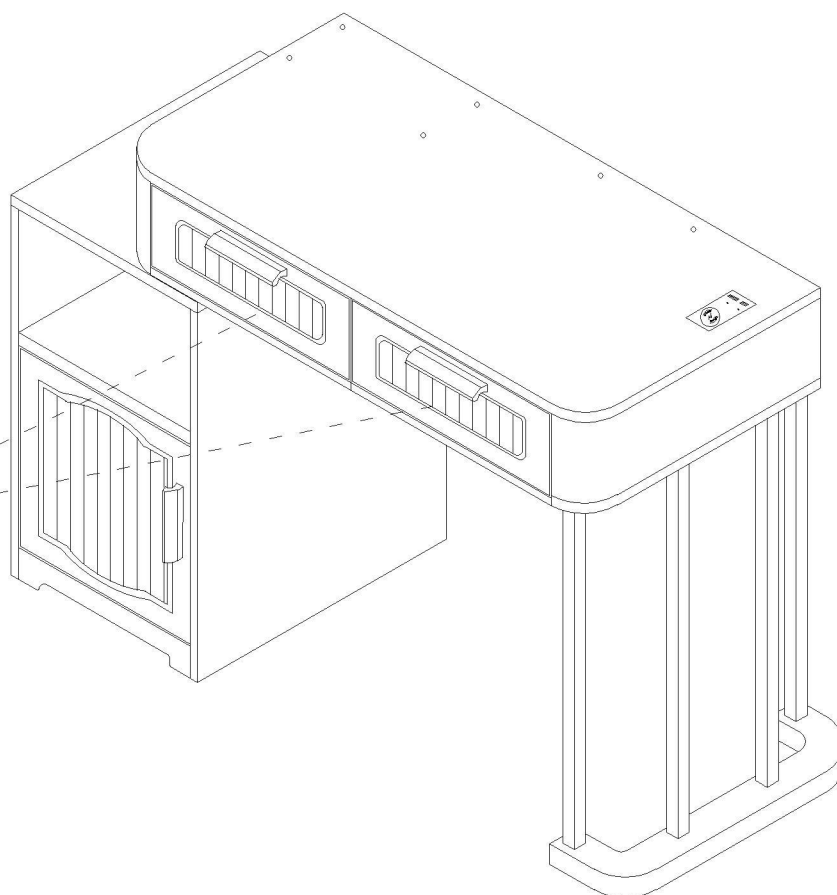
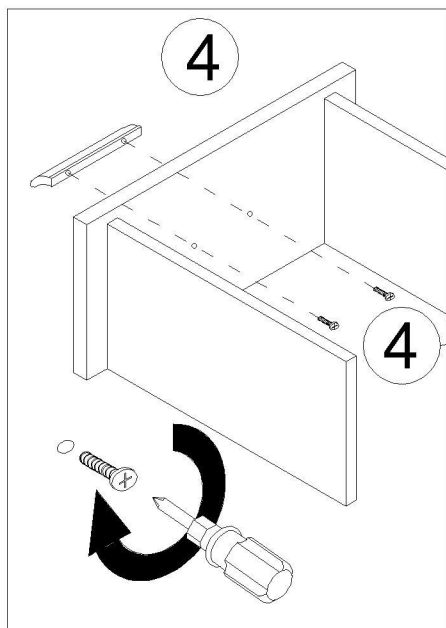


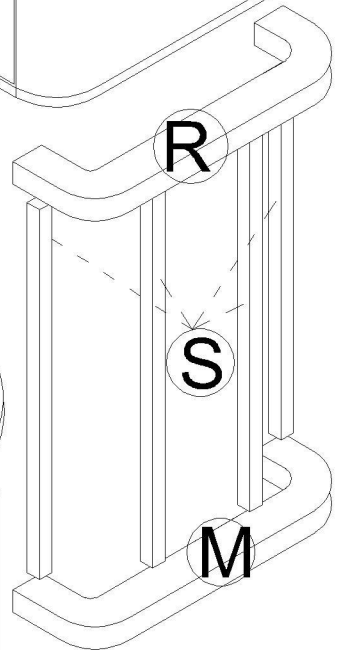
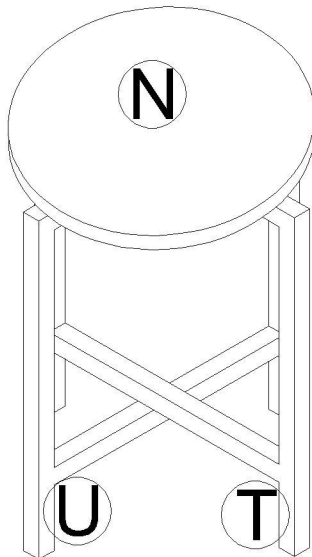
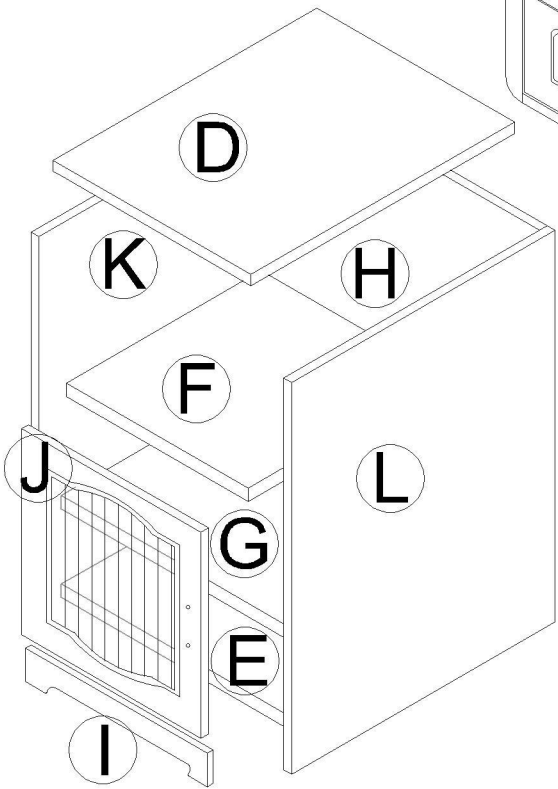
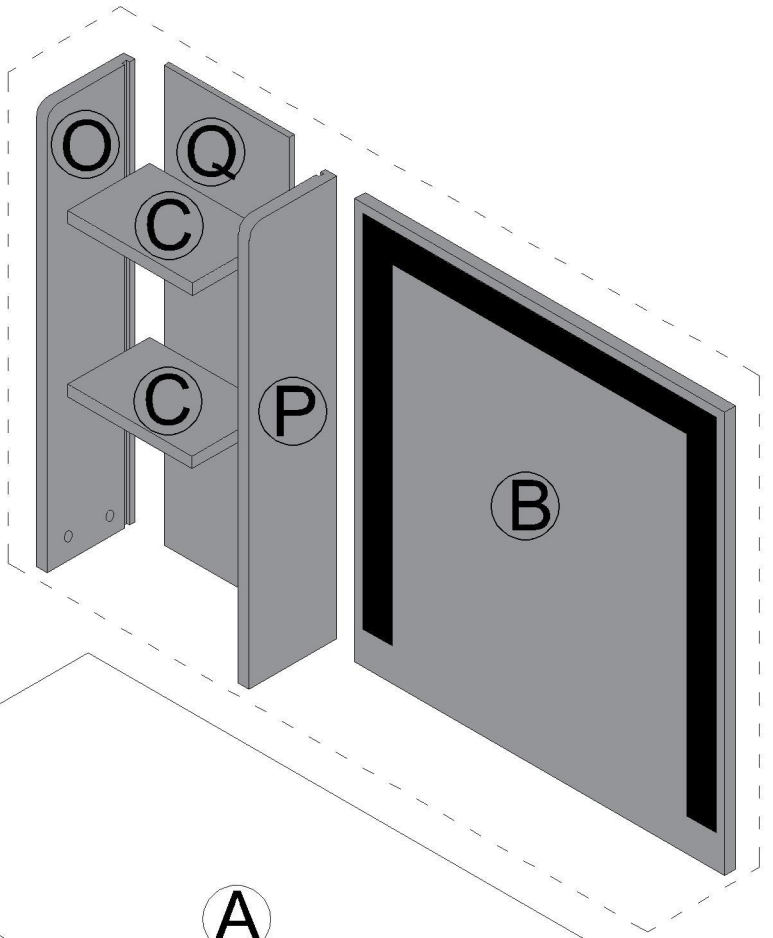
1pcs



2pcs

x 2





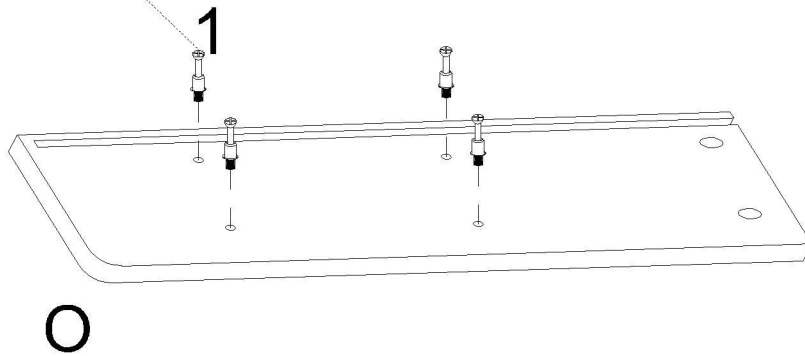
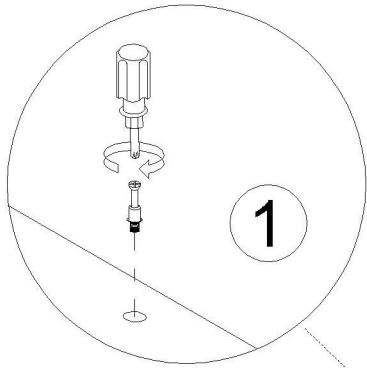
Step 17

1



x 4

The threaded part has been installed into the hole.



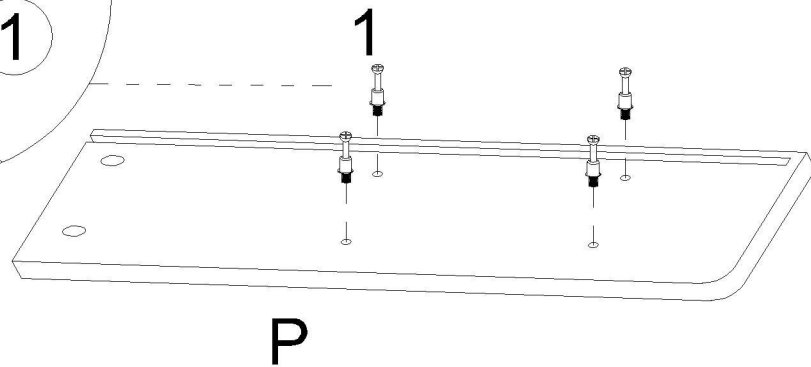
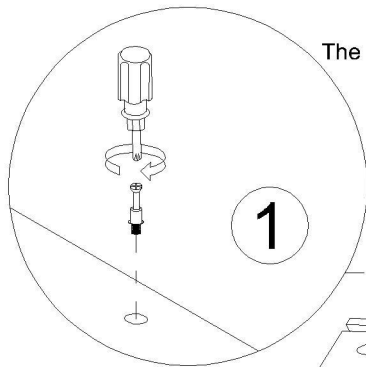
Step 18

1

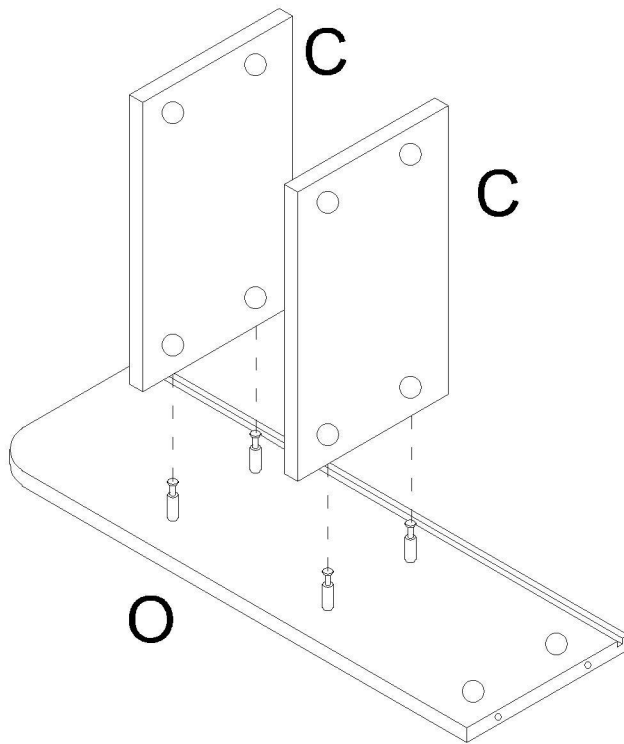


x 4



The threaded part has been installed into the hole.

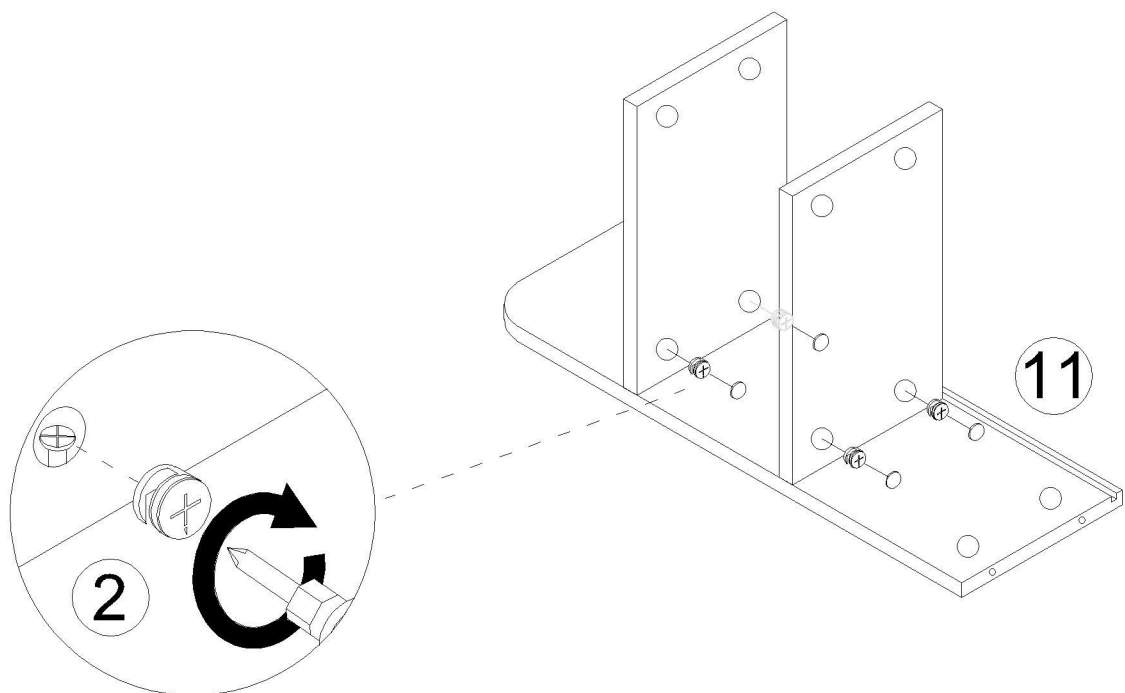


Step 19



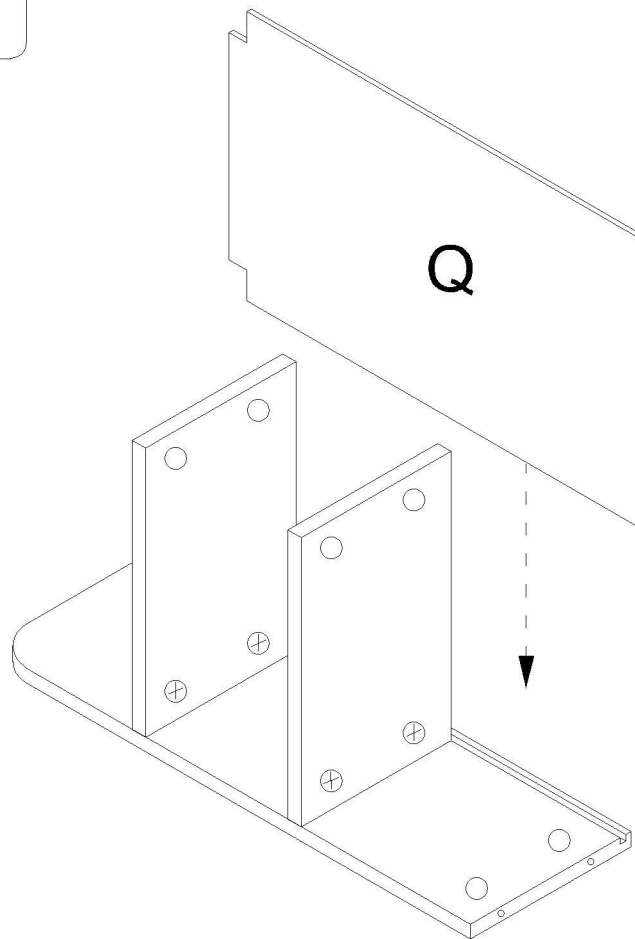
Step 20

2		x 4
11		x 4

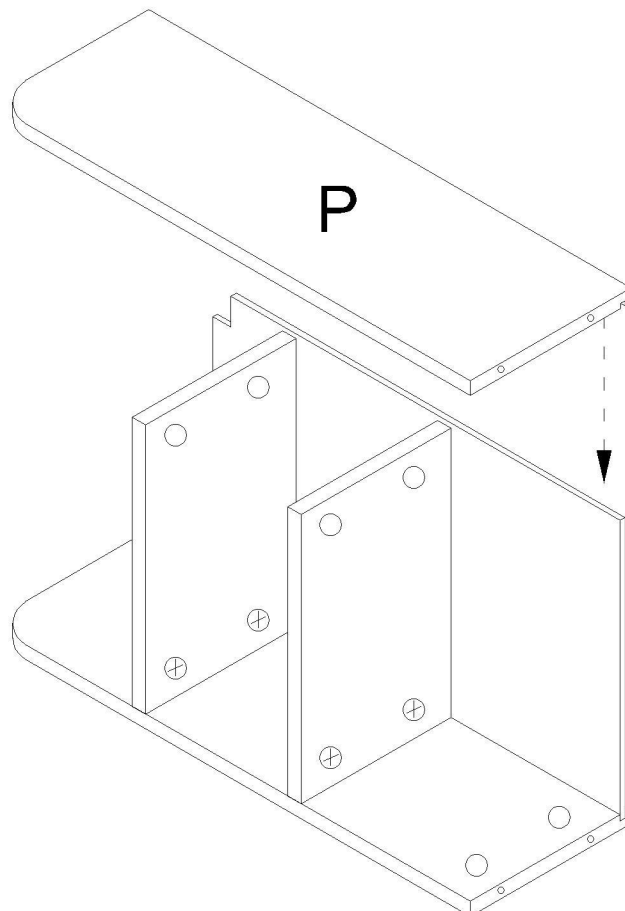


Attach attachment ①① to the outside after installing the screws



Step 21

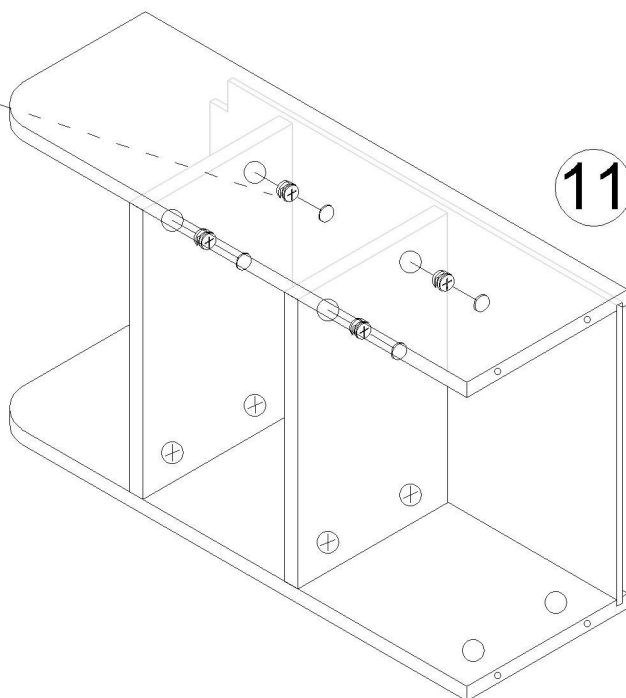
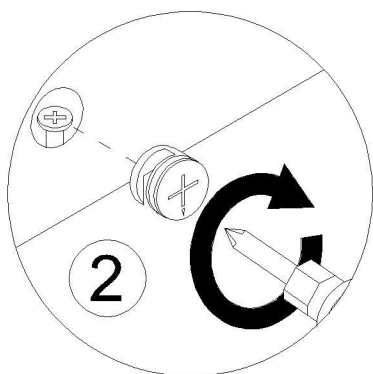


Step 22




Step 23

2		x 4
11		x 4

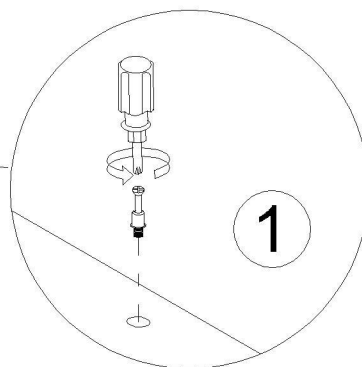
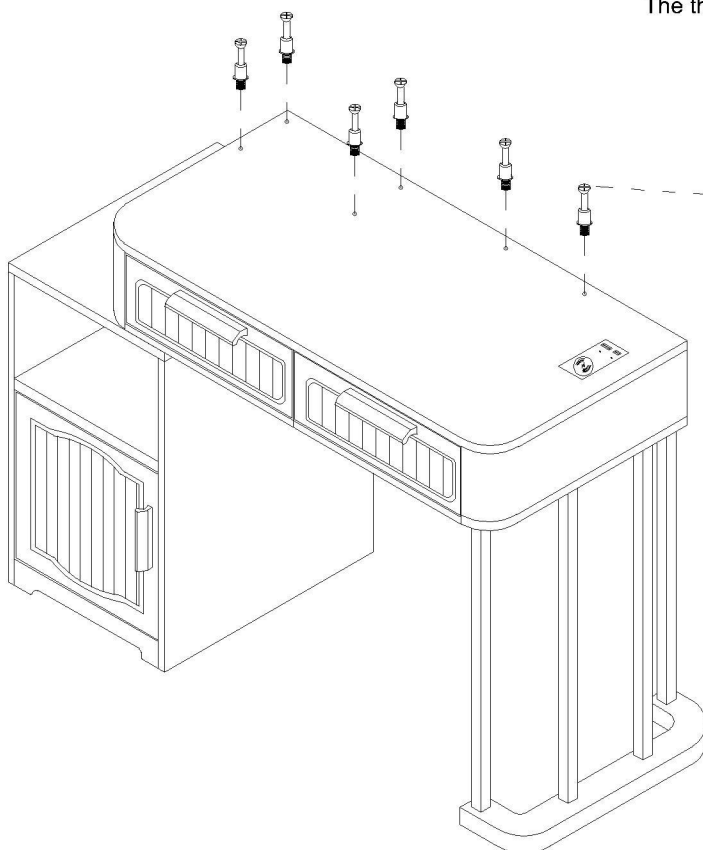


Attach attachment ①① to the outside after installing the screws . Refer to Step 20.

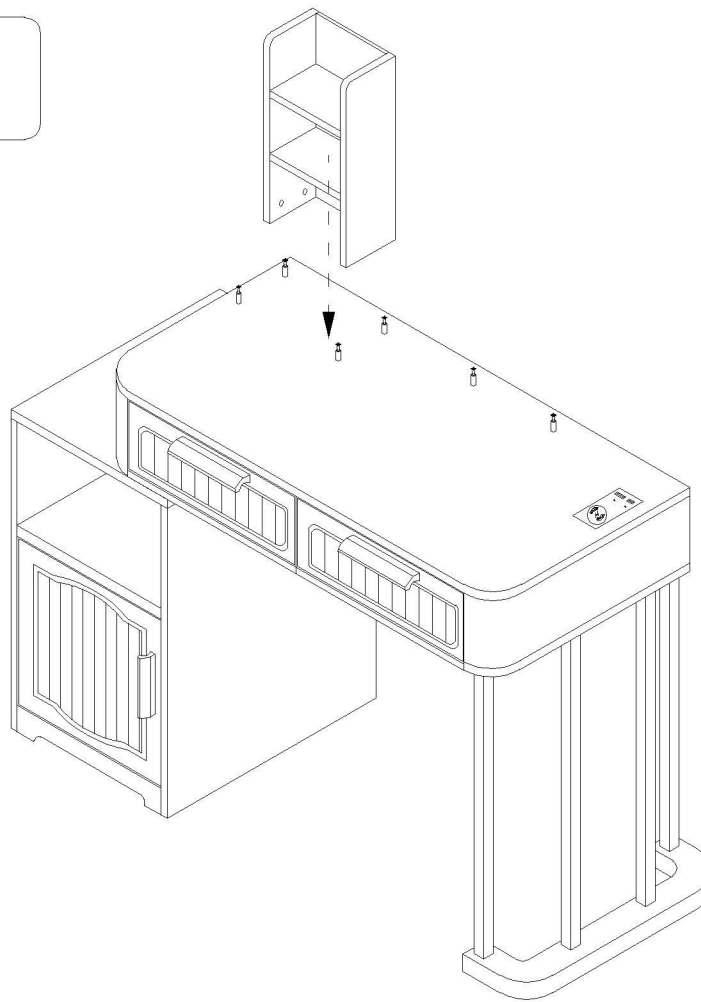
Step 24

1		x 6
---	---	-----



The threaded part has been installed into the hole.

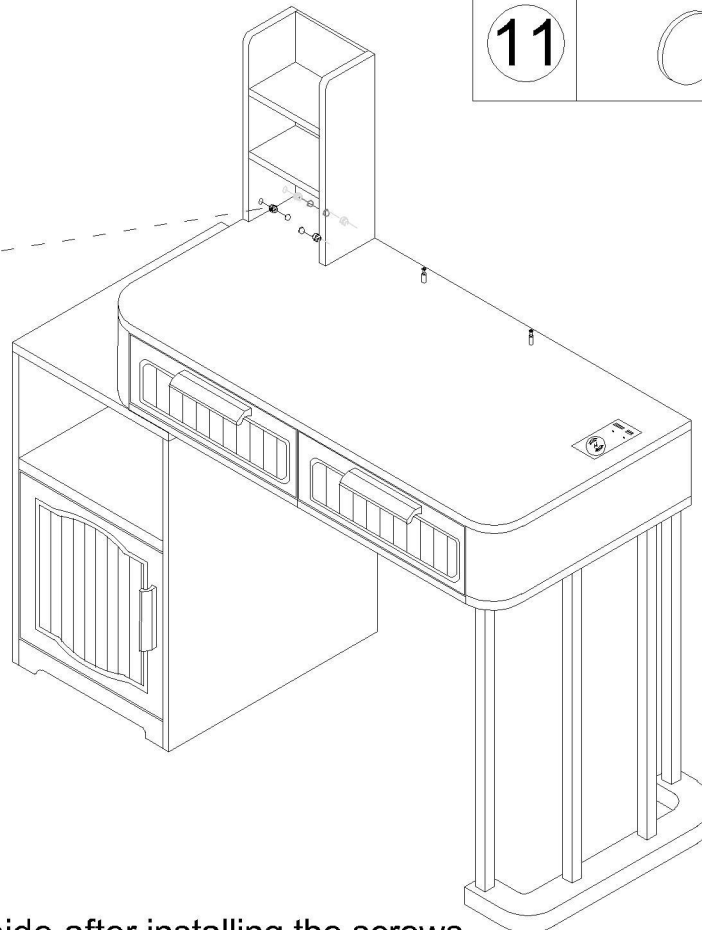
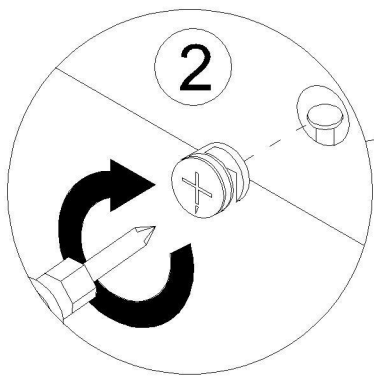


Step 25



Step 26

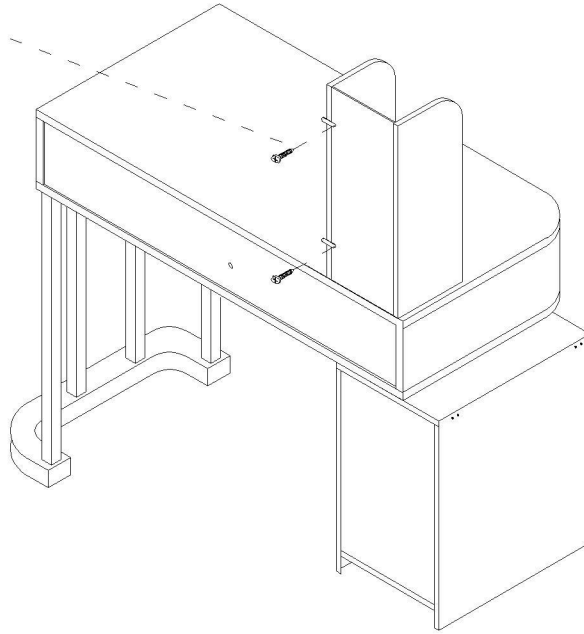
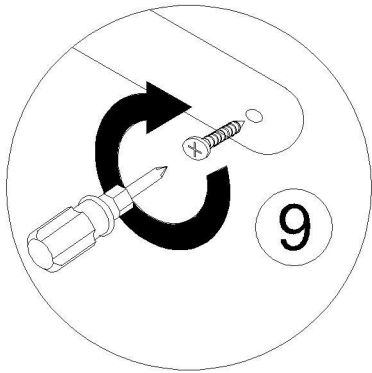
2		x 4
11		x 4



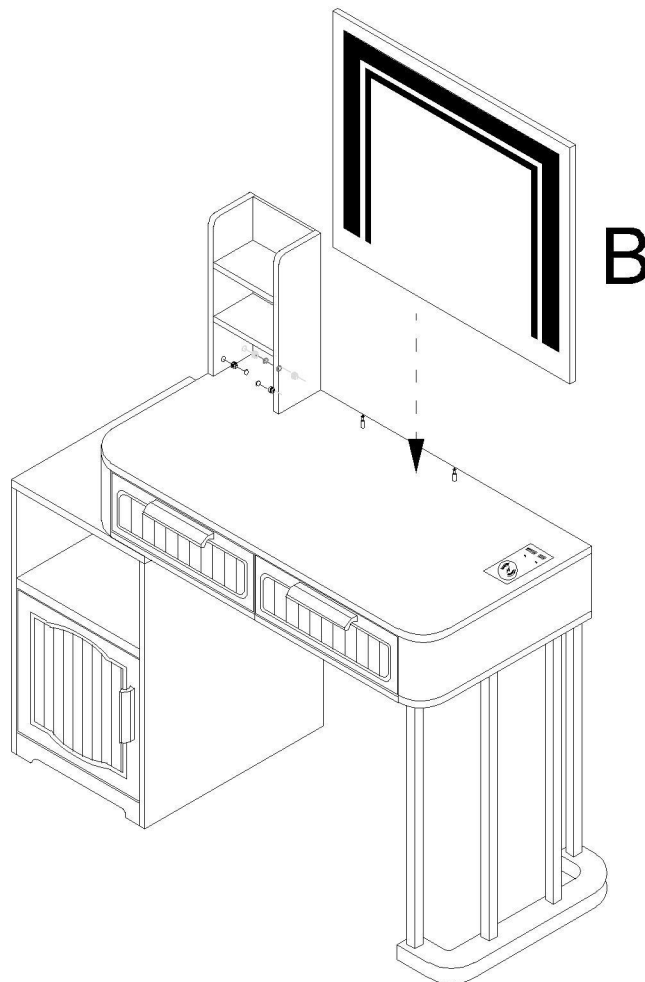
Attach attachment ⑪ to the outside after installing the screws

Step 27



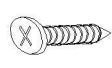
9 1pcs 2pcs x 2

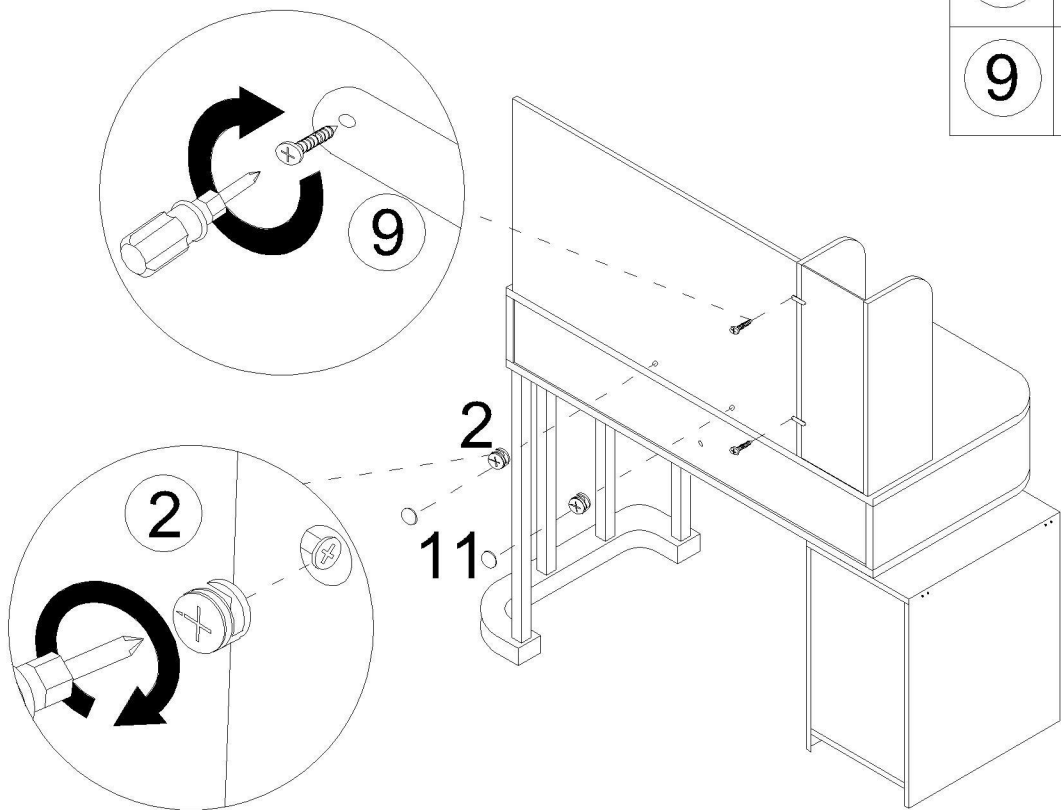


Step 28






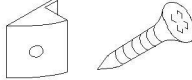
Step 29

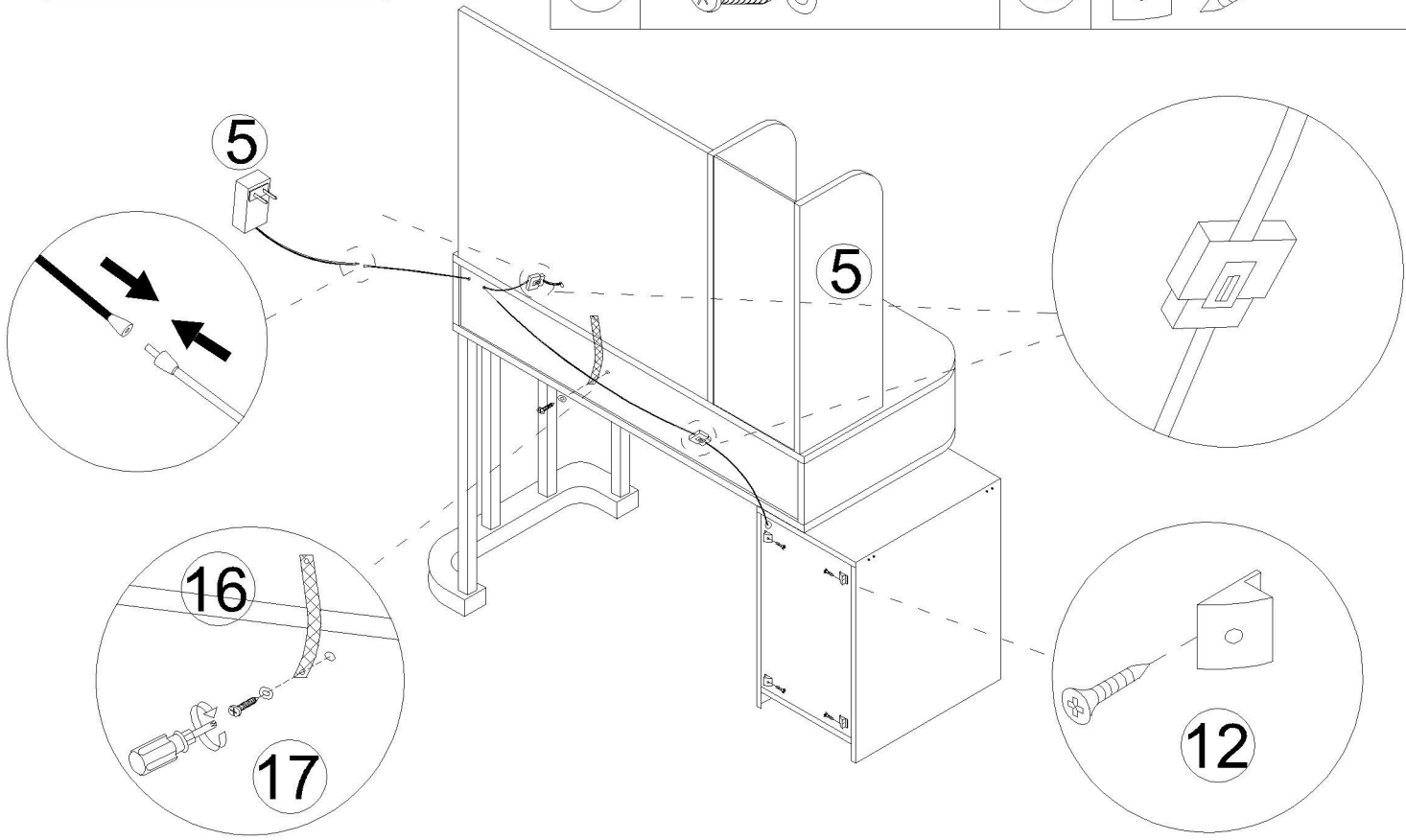
2		x 2
11		x 2
9		x 2

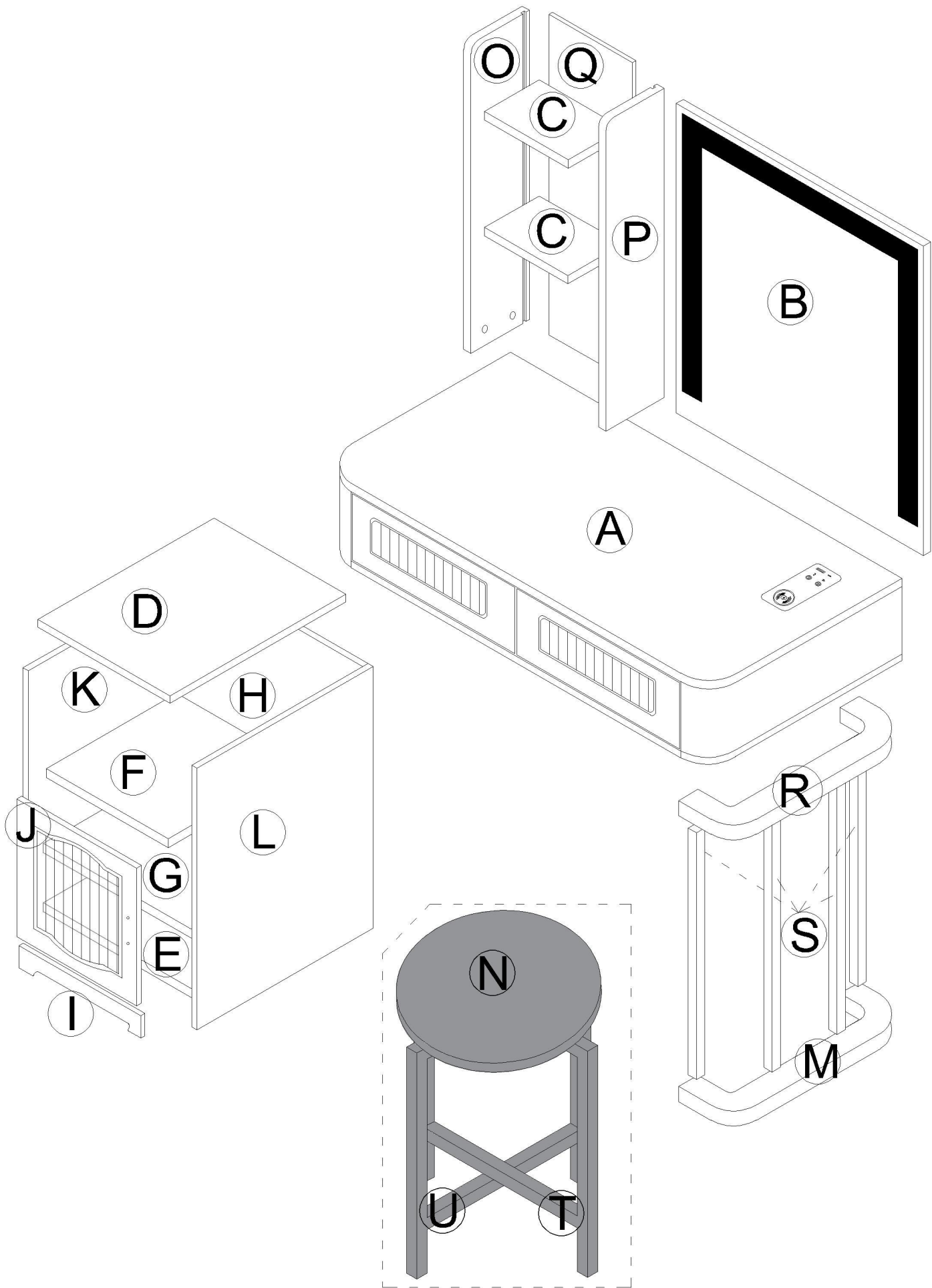


Attach attachment 11 to the outside after installing the screws

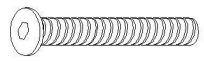
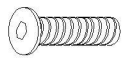
Step 30

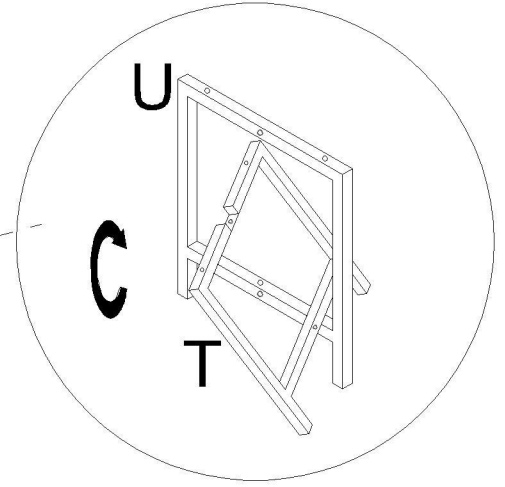
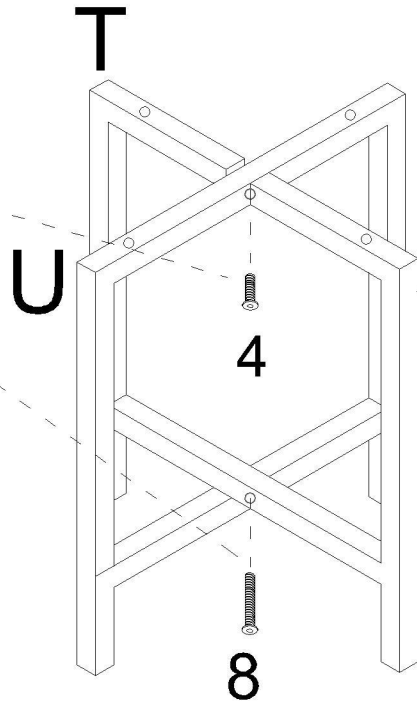
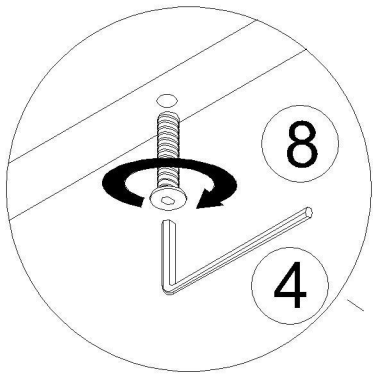
16		x 1	5		x 1
17		x 1	12		x 4



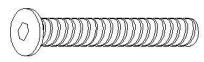


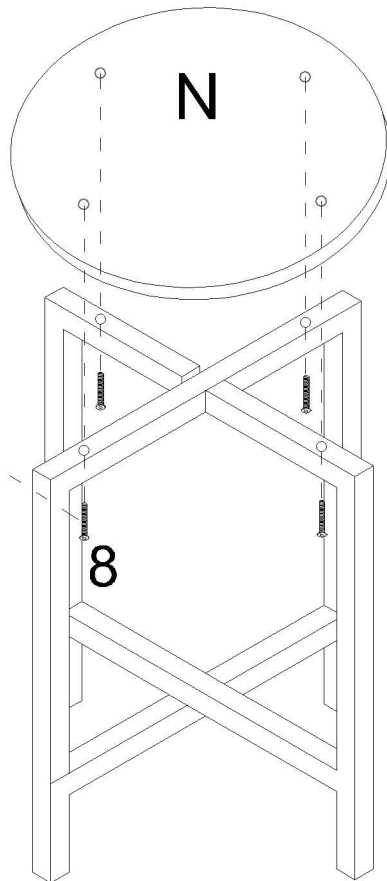
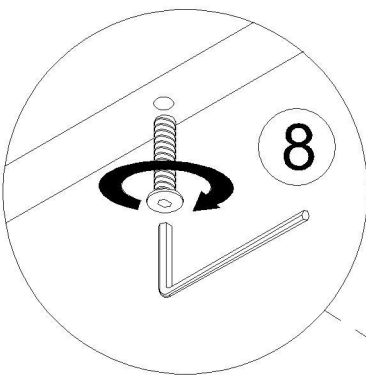
Step 31

8		x 1
4		x 1

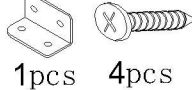
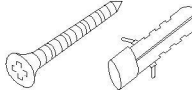


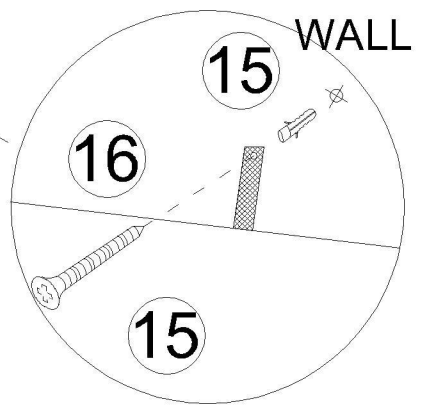
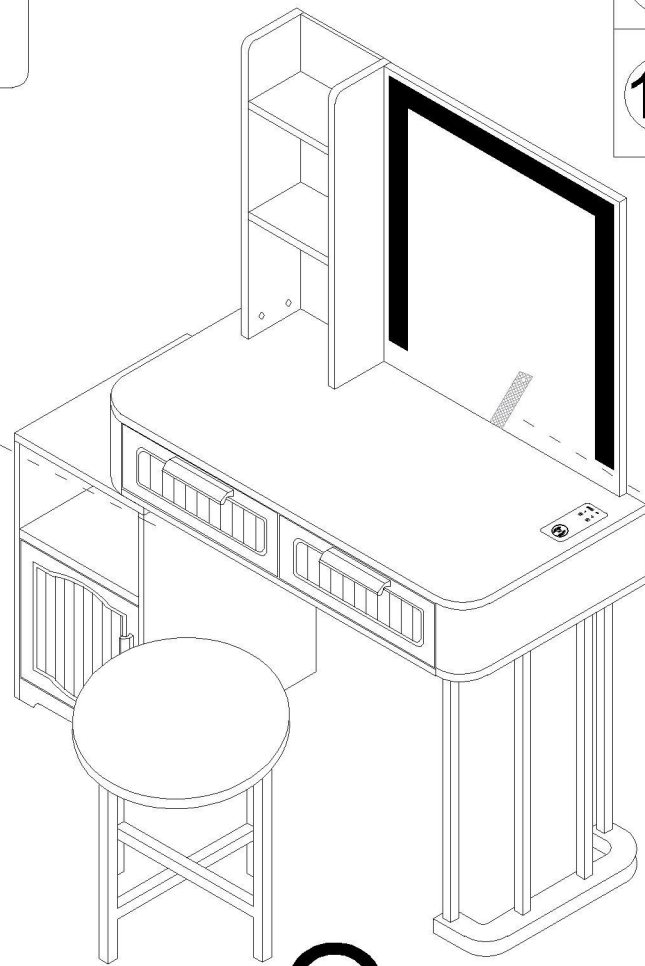
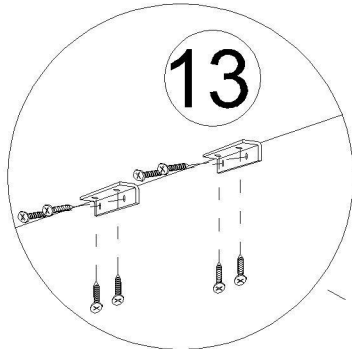
Step 32

8		x 4
---	---	-----

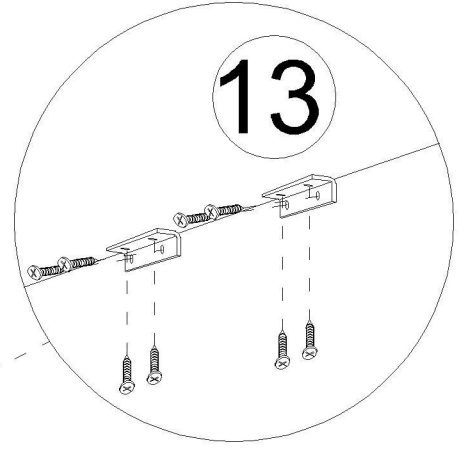
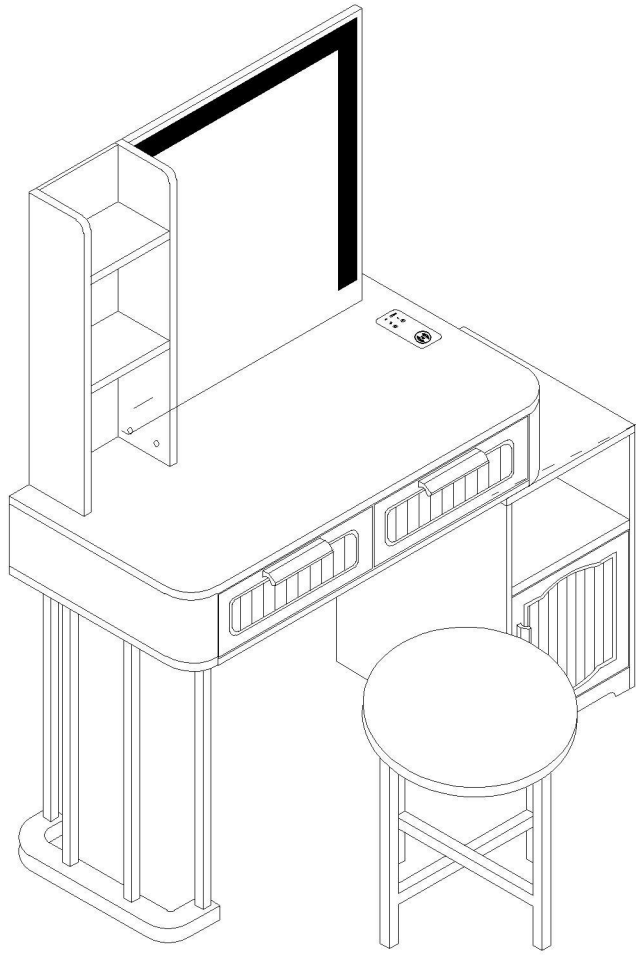


Step 33

13		2 Pcs
	1pcs 4pcs	
15		x 1



Or



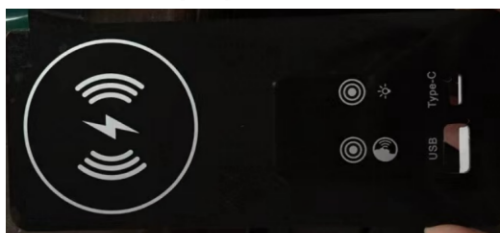
Use Manual

Multifunctional Smart Box: Voice Control + Touch Control + Charging Station

Product Introduction:

This smart box has 2 charging ports (USB-A and Type-C), which meet the general charging requirement of all mobile phone models. Built-in voice control function, offline voice control lights, dimming brightness, and has fast charging 15W wireless charging function.

Product Display:



Operate Instructions:



(This button is to turn on/off lights, switch the light color, and adjust the light brightness)

Step A: Single click this button, and the button indicator light appears, keep clicking you can switch 3 different light colors, when button indicator light disappears, it means the light function is closed.

Step B: When the light is on, you can dim the light brightness by long pressing the button. With light memory, it will remember the last light setting when you turn on the light again.



(This button is to turn on/off voice control function)

Step A: After power-on, the voice function is turned on by default (the indicator light is on at this time). Long Press this button for 1 second to turn off the voice function (the indicator light is off at this time).

Step B: To open the voice control function again, please touch the button again. (The indicator light is on means open successfully)

Step C: You can control the lights with the following voice command.

To turn on the light: Turn on / Light on / Turn on the light

To turn off the light: Turn off / Light off / sleep / Turn off the light

Want the light more brighter (has 3 levels): Brighter /Brighten the light

Want the light more dimmer(has 3 levels): Darker / Dim the Light

Switch light color: Change Color / Color Change



(This signature area is for wireless charging)

It supports fast charging with a maximum power of 15W. When charging, your phone needs to be placed in the middle of the logo to maximize charging efficiency.

After power-on, the wireless charging function is turned on by default, placing electronic products on this area to reach wireless charging.