

NOTICE

- * Please make sure that you have all parts indicated and they are in good condition before you begin assembly of this item. Refer to part list and hardware list below for guidance.
- * This item should be assembled on a soft surface to prevent scratching the finish during assembly.
- * This item may require periodic tightening.
- * If you are having difficulty, our friendly Customer Care team is always here to help. P

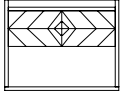
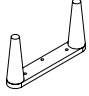
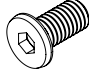



PREPARATION

- * Before beginning assembly of product, make sure all parts are present. Compare parts with part contents list and hardware contents list.
- * If any part is missing or damaged, do not attempt to assemble the product.
- * Estimated Assembly Time: 10 minutes.
- * Tools Required for Assembly (included): Allen Key

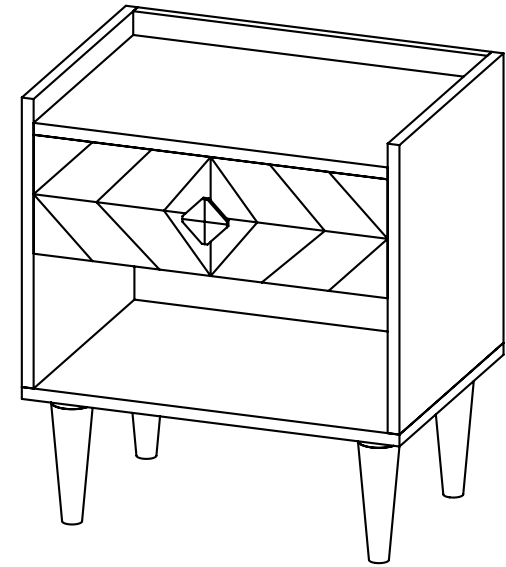
CARE AND MAINTENANCE

Spot clean using a mild water-free solvent. Only a professional cleaner should undertake a complete overall cleaning. The use of steam or water-based cleaners may cause excessive shrinking or staining.

Part List and Hardware List

PIECE	DESCRIPTION	PICTURE	QUANTITY
A	TOP PART		1X
B	Leg		2X
HW1	ALLEN BOLT JCB 30X6		6X
HW2	SPRING WASHER 16X8		6X
HW3	WASHER 25X8		6X
HW4	Allen key 4 mm		1X

Product dimensions: 18.9"W X 13.8"D X 19.7"H



⚠ WARNING ⚠

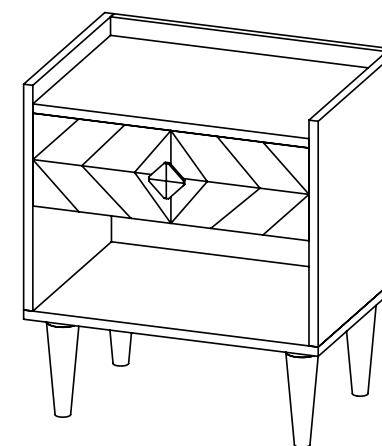
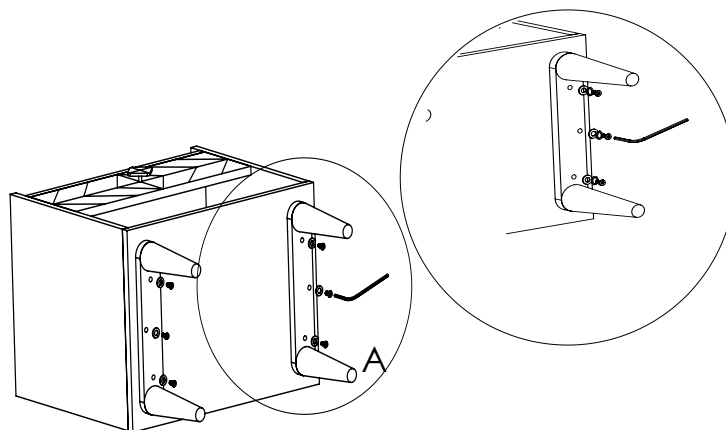
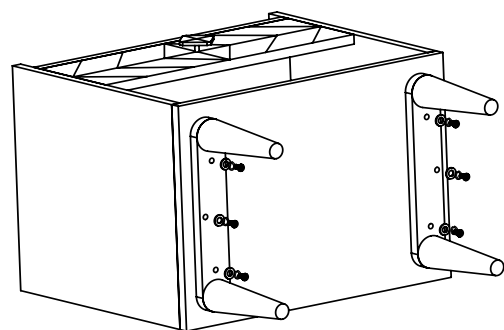
Weight Capacity - 30 LBS

Warning : Do not stand on Nightstand

Warning : Do not over torque bolts.

PREPARATION

- * Before beginning assembly of product, make sure all parts are present. Compare parts with part contents list and hardware contents list.
- * If any part is missing or damaged, do not attempt to assemble the product.
- * Estimated Assembly Time: 10 minutes.
- * Tools Required for Assembly (included): Allen Key



STEP1 OPEN THE ZIPPER ON THE INSIDE OF THE DRAWER AND TAKE OUT LEGS AND HARDWARE

STEP2 PUT THE WASHERS (HW2) ON THE ALLEN BOLT (HW1) IN THE ORDER SHOWN IN THE PICTURE AND TIGHTEN WITH ALLEN KEY(HW3).

STEP3 NOW PRODUCT IS READY TO USE.

The legs are located under the drawer