
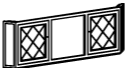

























Parts List

Item	Parts	Description	Quantity
A		Top Panel	1
B		Front frame	1
C		Left partition panel	1
D		Right partition panel	1
E		Left back panel	1
F		Right back panel	1
G		Bottom panel	1
H		Metal leg base	1
I		Back leg posts	2
J		Side back panels	2
K		Center back panel	1
L		Right side shelf	1
M		Middel shelf	1
N		Left side shelf	1

Hardware List

Item	Hardware	Description	Quantity
a		Long Bolts	4
b		Medium Bolts	11
c		Short Bolts	2
d		Small Flat Washers	13
e		Lock Washers	17
f		Allen Wrench	1
g		Wooden dowels	10
h		Shelf Supports	12
i		Door pulls	2
j		Machine screws	2
K		Large Flat Washers	4

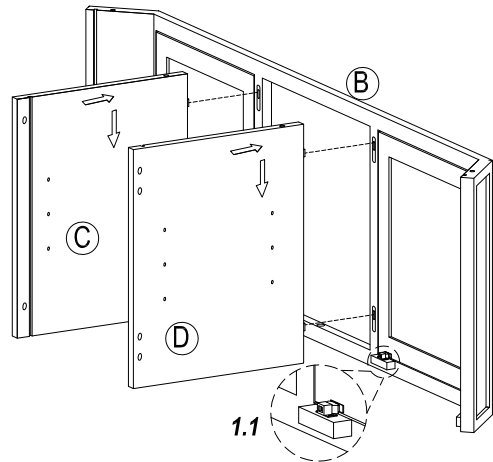
Assembly Steps

Step 1

1.1 Lay the front frame (B) upside-down on a soft surface. Cut the shrink wrapper lightly on the front frame.

1.2 Insert left partition panel's (C) fastening hardware onto the front frame with the panel's groove facing inward and the bolt insert seen on the top front.

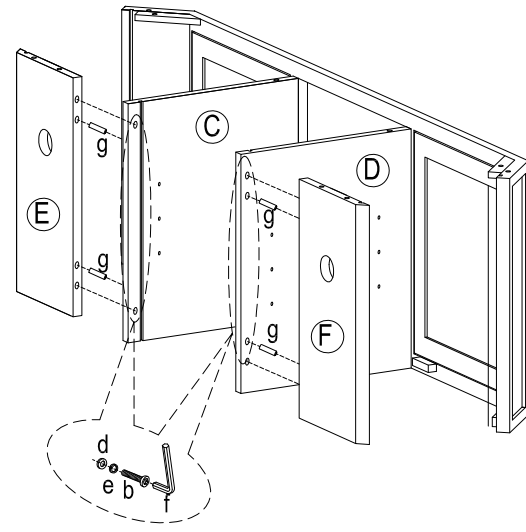
1.3 Push down the left partition panel to make it tight while sliding its fastening hardware from top to bottom direction as shown by arrows. Do the same assembly step on right partition panel (D).



Step 2

2.1 Insert two wooden dowels (g) into left back panel (E). Join and fasten panels (C & E) with 2 dowels and 2 medium bolts.

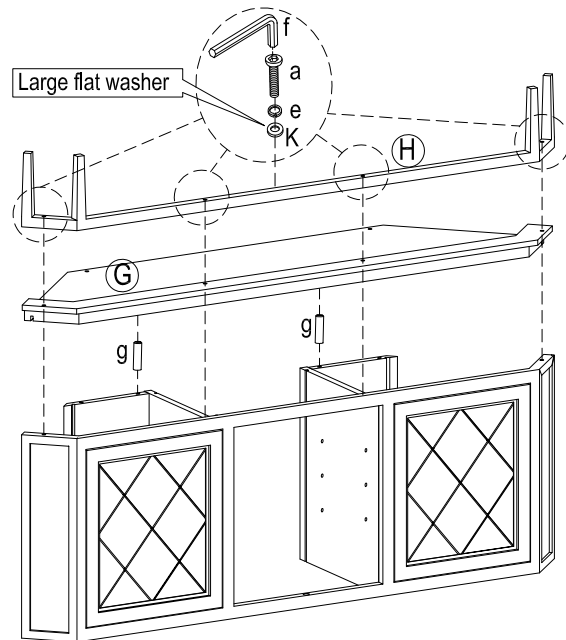
2.2 Do the same thing on panel (D and F).



Step 3

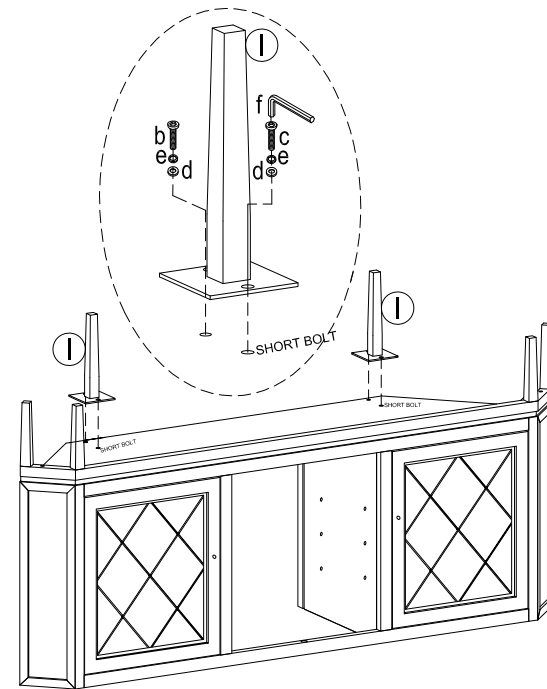
3.1 Insert 2 wooden dowels (g) into panels (E & F) as per following sketch. Place the bottom panel on.

3.2 Fasten the leg frame (H) into the TV case with 4 big bolts, 4 lock washers and 4 large flat washers.



Step 4

Fasten each back leg to the bottom panel with one medium bolt and one short bolt. Please see which hole is for short bolt as indicated by sticker.



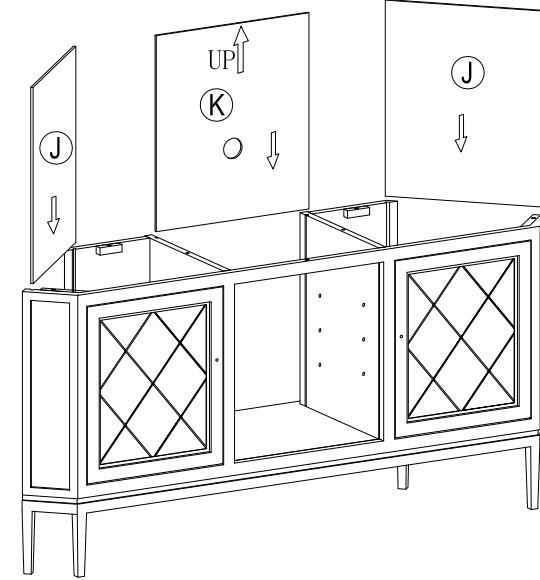
Assembly Steps

Step 5

5.1 Flip the TV cabinet on its back and place it upright.

5.2 Insert and push down the center back panel (K) check the 'up' arrow sticker for correct direction.

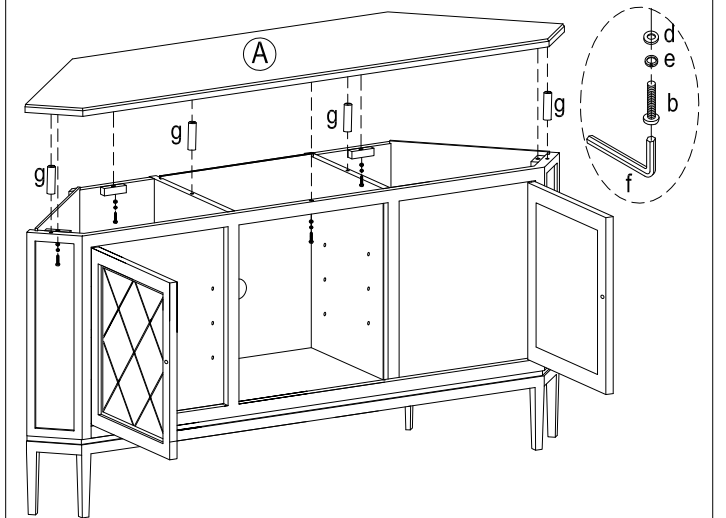
5.3 Insert two side back panels (J) and push down.



Step 6

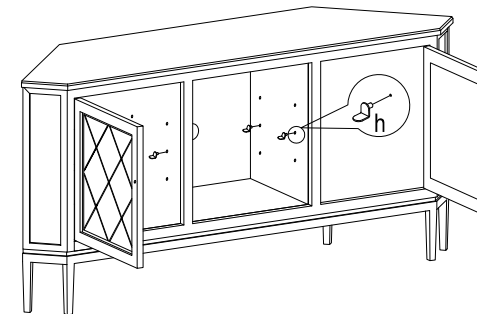
6.1 Insert 4 wooden dowels on as per following sketch.

6.2 Open the doors and fasten the top with 5 medium bolts as shown below; 2 at upper edge of panels E and F, 3 at upper front frame.



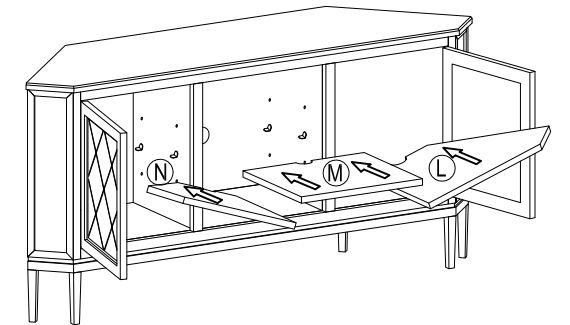
Step 7

Insert 12 shelf supports (h).



Step 8

Place the shelves (L & M & N) on the shelf supports.



Step 9

9.1 Install the door pulls (i).

9.2 Adjust levelers on the bottom of leg frames if needed.

