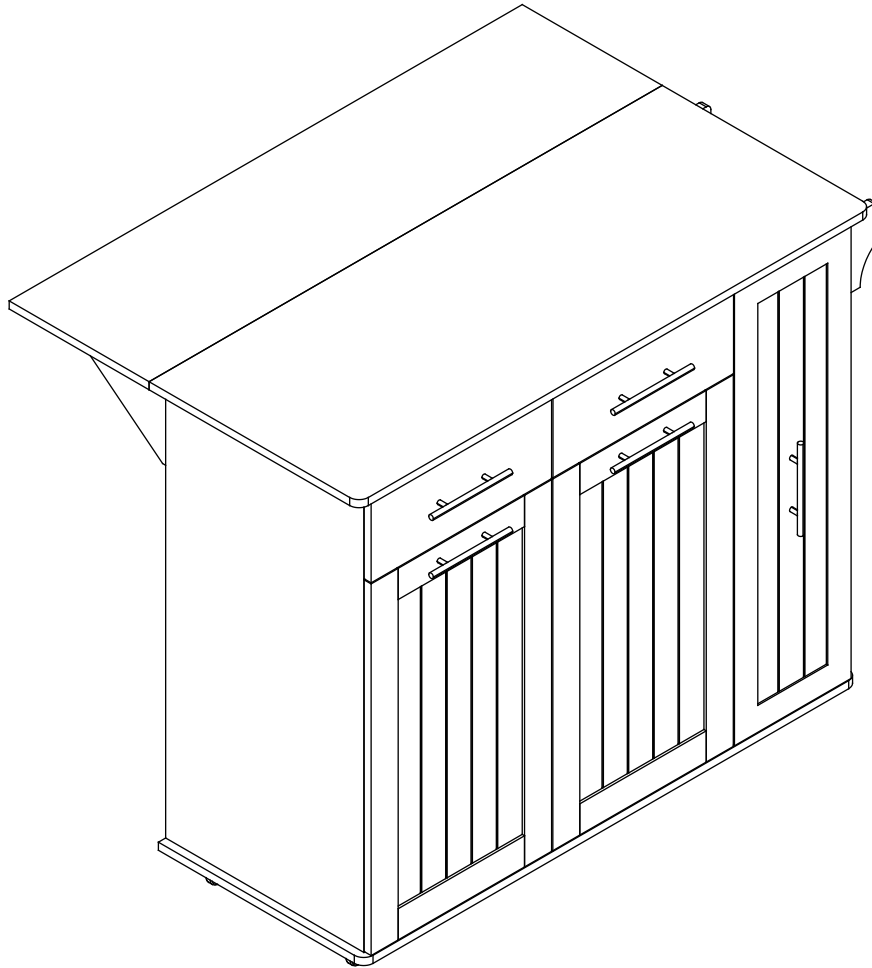


Kitchen Island Carts

Assembly Instructions - Please keep for future reference



Dimensions

Width-45.3inch

Depth-17.7inch+11.8inch

Height-37inch

Important – Please read these instructions fully before starting assembly



Safety and Care Advice

Important – Please read these instructions fully before starting assembly

- Check you have all the components and tools listed on the following pages.
- Remove all fittings from the plastic bags and separate them into their groups.
- Keep children and animals away from the work area, small parts could choke if swallowed.
- Make sure you have enough space to layout the parts before starting.

- During assembly do not stand or put weight on the product, this could cause damage.
- Assemble the item as close to its final position (in the same room) as possible.
- Assemble on a soft level surface to avoid damaging the unit or your floor.
- Parts of the assembly will be easier with 2 people.



power drill is set on a low torque setting.

- To reduce the likelihood of damaging your product please ensure that your

Care and maintenance

- Only clean using a damp cloth and mild detergent, do not use bleach or abrasive cleaners.

- From time to time check that there are no loose screws on this unit.

- This product should not be discarded with household waste. Take to your local authority waste disposal centre.

Handy Hints

- Assemble all parts and bolts loosely during assembly, only once the product is complete should you fully tighten the bolts

- Regularly check and ensure That all bolts and fittings are tightened properly.

WARNING In order to help prevent overturning – please follow these instructions

To help prevent product toppling over please follow the below steps:-

- Use the anti tip strap or wall fixing method provided (if applicable)
- Do not allow children to climb or hang on the furniture
- Do not open more than one drawer at a time
- Do not place heavy items in the top drawers
- Do not place heavy items on top of the furniture, unless the furniture has been designed for this purpose

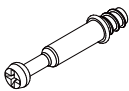

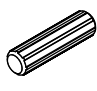

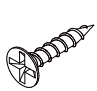
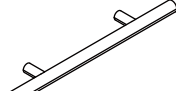
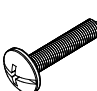
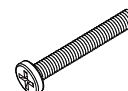
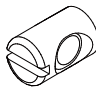
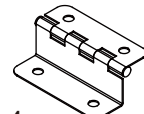
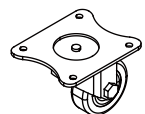
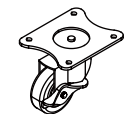

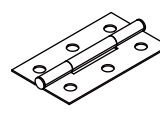
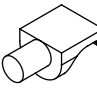
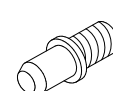
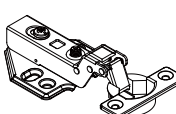
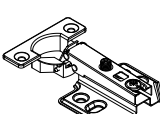

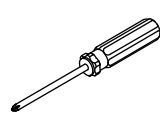
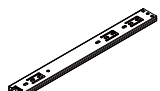
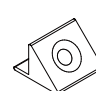
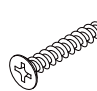
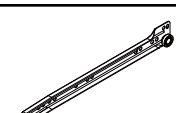

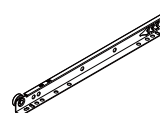
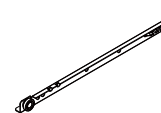
Please note that only the anti tip strap is provided.

You will need to provide wall plugs and screws applicable for your wall type

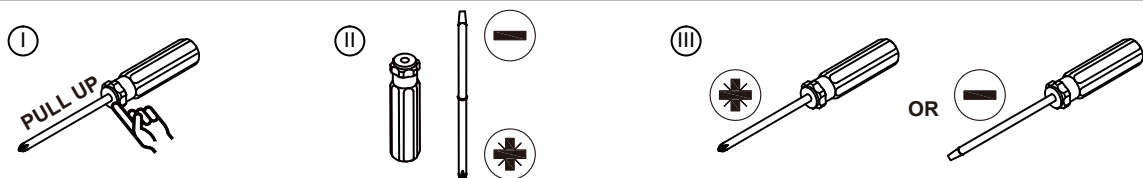
Components - Fittings

Please check you have all the panels listed below

Note: The quantities below are the correct amount to complete the assembly. In some cases more fittings may be supplied than are required.

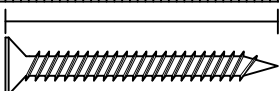
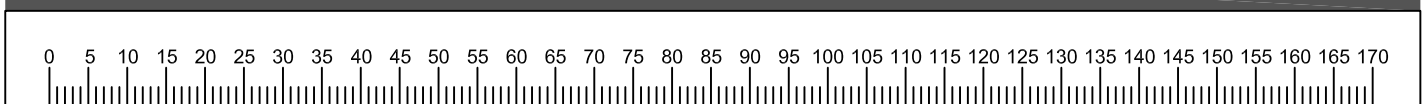
<p>(A)</p>  <p>Cam Bolt x 42</p>	<p>(B)</p>  <p>Cam lock x 42</p>	<p>(C)</p>  <p>8*30mm Dowel x 64</p>	<p>(D)</p>  <p>4*35mm Screw x 30</p>
<p>(E)</p>  <p>3.5*12mm Screw x 86</p>	<p>(F)</p>  <p>Hold hands x 5</p>	<p>(G)</p>  <p>4*20mm Screw x 10</p>	<p>(H)</p>  <p>6*45mm Screw x 4</p>
<p>(I)</p>  <p>Vertical nut x 4</p>	<p>(J)</p>  <p>hinge x 4</p>	<p>(K)</p>  <p>Caster x 3</p>	<p>(L)</p>  <p>Locking caster x 2</p>
<p>(M)</p>  <p>6*14mm Screw x 20</p>	<p>(N)</p>  <p>hinge x 3</p>	<p>(O)</p>  <p>Pivot x 4</p>	<p>(P)</p>  <p>Pivot x 4</p>
<p>(Q)</p>  <p>26mm x 2</p>	<p>(R)</p>  <p>26mm x 2</p>	<p>(S)</p>  <p>Pressure ball x 2</p>	<p>(T)</p>  <p>Screwdriver x 1</p>
<p>(U)</p>  <p>Runner 290mm x 3</p>	<p>(V)</p>  <p>Back plate buckle x 14</p>	<p>(W)</p>  <p>3*14mm Screw x 14</p>	<p>(CR)</p>  <p>Runner 350mm x 2</p>
<p>(CL)</p>  <p>Runner 350mm x 2</p>	<p>(DR)</p>  <p>Runner 350mm x 2</p>	<p>(DL)</p>  <p>Runner 350mm x 2</p>	

Tools required



Screwdrivers can be converted to Phillips and Slotted.

Ruler - Use this ruler to help correctly identify the screws



The screws length is measured from the head to the point (35mm screw shown).

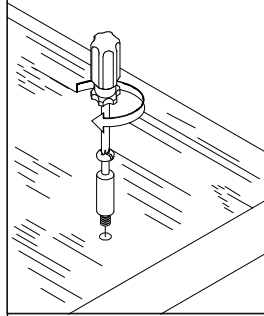
Using Camlocks

Step 1

Connect the male camlock as directed in the assembly instructions using a screwdriver.

1

DO NOT OVER TIGHTEN.
NE PAS SERRER EXCESSIVEMENT.



Step 2

Push the male camlock into the entry hole.

2

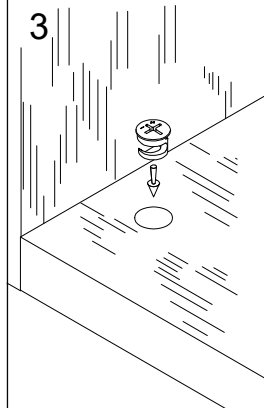


Step 3

Insert the female camlock as shown in the instruction.

Note: ensure that the arrow on the top of the camlock points towards the entry hole for the male camlock.

3



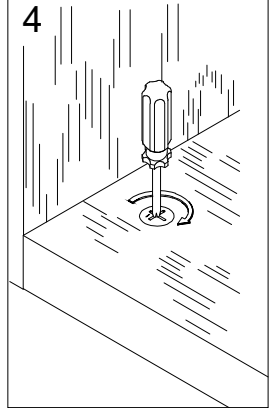
Step 4

Turn the female camlock clockwise with a screwdriver.

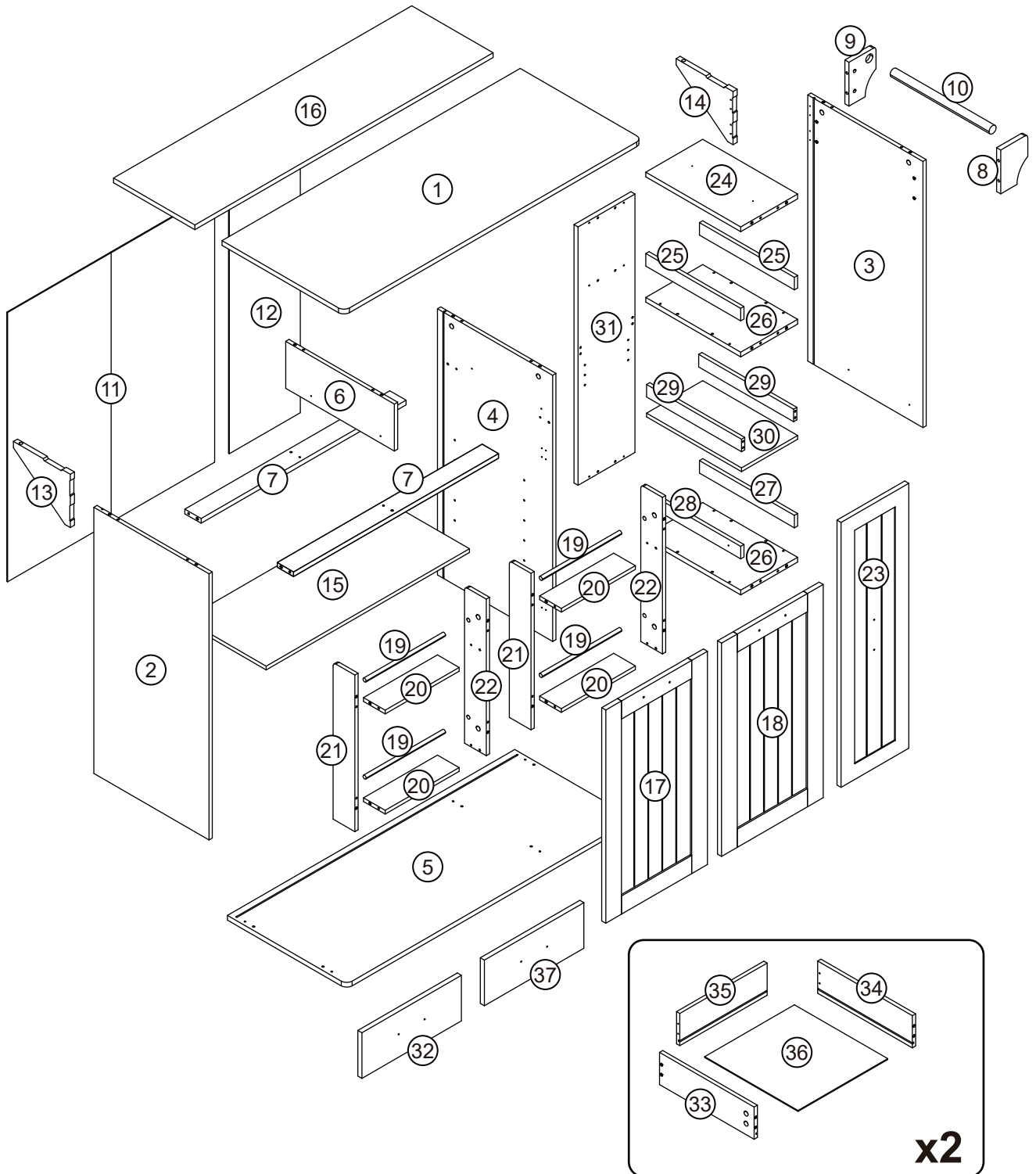
You should feel a click when the camlock is locked in place.

The joint is now secure.

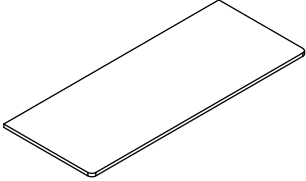
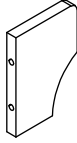
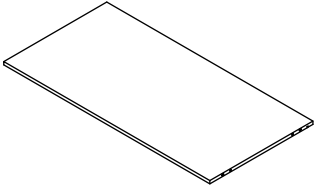
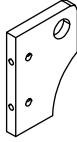
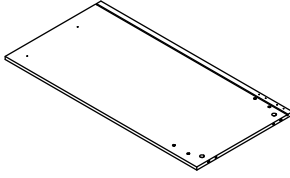
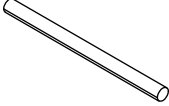
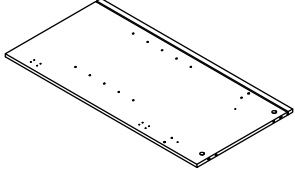
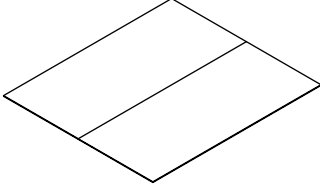
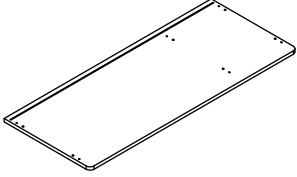
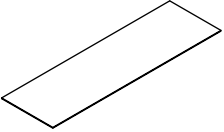
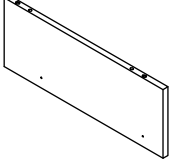
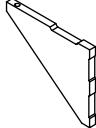
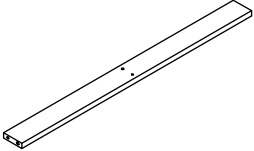
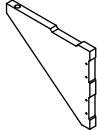
4



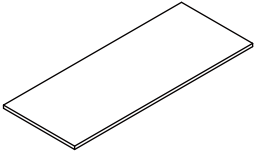
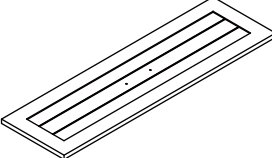
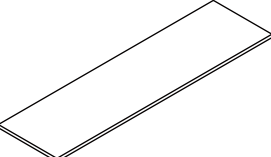
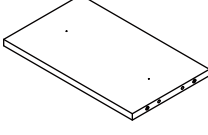
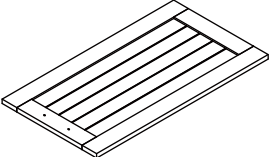
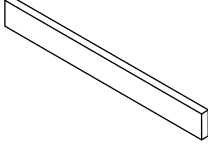
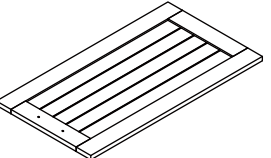
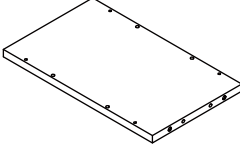
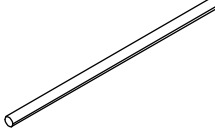
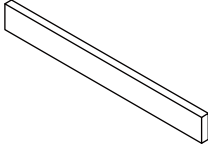
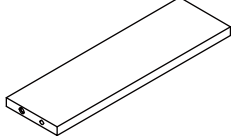
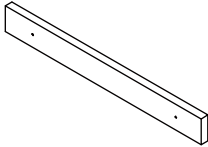
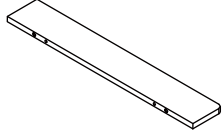
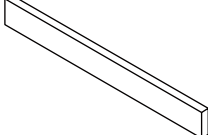
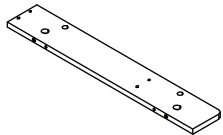
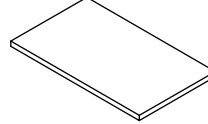
Assembly Instructions



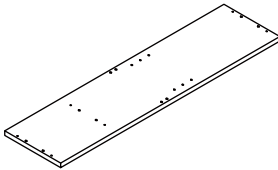
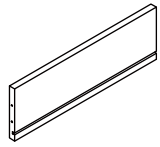
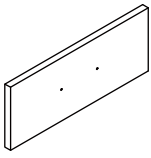
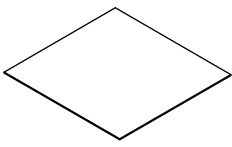
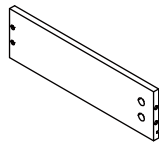
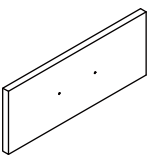
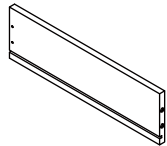
Assembly Instructions

<p>①</p>  <p>1100 x 450 x 15 mm</p> <p>1</p>	<p>⑧</p>  <p>140 x 102 x 15 mm</p> <p>1</p>
<p>②</p>  <p>847 x 425 x 15 mm</p> <p>1</p>	<p>⑨</p>  <p>140 x 102 x 15 mm</p> <p>1</p>
<p>③</p>  <p>847 x 425 x 15 mm</p> <p>1</p>	<p>⑩</p>  <p>350 x 25 x 25 mm</p> <p>1</p>
<p>④</p>  <p>847 x 425 x 15 mm</p> <p>1</p>	<p>⑪</p>  <p>855 x 765 x 3 mm</p> <p>1</p>
<p>⑤</p>  <p>1005.5 x 445 x 15 mm</p> <p>1</p>	<p>⑫</p>  <p>855 x 237 x 3 mm</p> <p>1</p>
<p>⑥</p>  <p>400 x 150 x 15 mm</p> <p>1</p>	<p>⑬</p>  <p>220 x 170 x 15 mm</p> <p>1</p>
<p>⑦</p>  <p>757 x 60 x 15 mm</p> <p>2</p>	<p>⑭</p>  <p>220 x 170 x 15 mm</p> <p>1</p>

Assembly Instructions

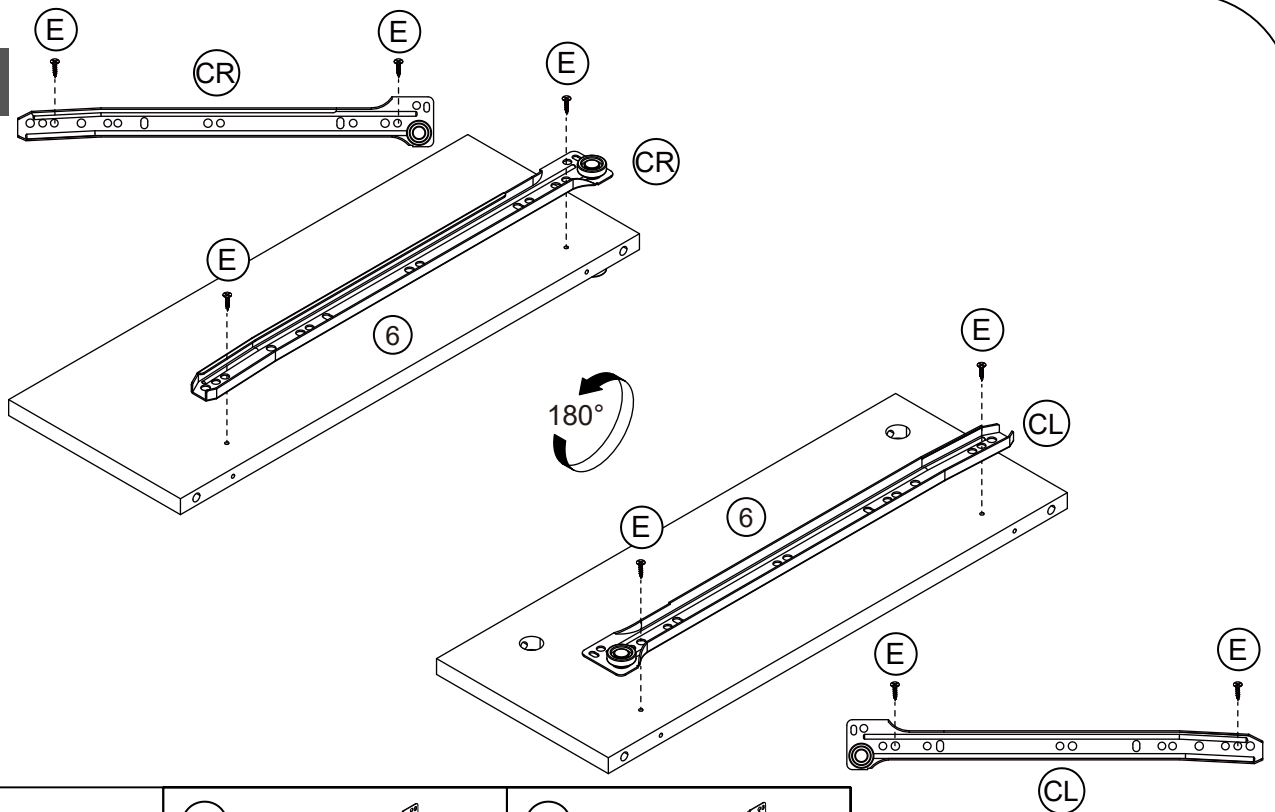
<p>15</p>  <p>754 x 320 x 12 mm</p> <p>1</p>	<p>23</p>  <p>840 x 250 x 15 mm</p> <p>1</p>
<p>16</p>  <p>1100 x 300 x 15 mm</p> <p>1</p>	<p>24</p>  <p>350 x 208 x 12 mm</p> <p>1</p>
<p>17</p>  <p>687 x 387 x 15 mm</p> <p>1</p>	<p>25</p>  <p>350 x 40 x 12 mm</p> <p>2</p>
<p>18</p>  <p>687 x 387 x 15 mm</p> <p>1</p>	<p>26</p>  <p>350 x 205 x 12 mm</p> <p>2</p>
<p>19</p>  <p>297 x 12 x 12 mm</p> <p>4</p>	<p>27</p>  <p>350 x 40 x 12 mm</p> <p>1</p>
<p>20</p>  <p>287 x 80 x 12 mm</p> <p>4</p>	<p>28</p>  <p>350 x 40 x 12 mm</p> <p>1</p>
<p>21</p>  <p>500 x 80 x 12 mm</p> <p>2</p>	<p>29</p>  <p>350 x 40 x 12 mm</p> <p>2</p>
<p>22</p>  <p>500 x 80 x 12 mm</p> <p>2</p>	<p>30</p>  <p>350 x 207 x 12 mm</p> <p>1</p>

Assembly Instructions

<p>31</p>  <p>825 x 207 x 12 mm</p> <p>1</p>	<p>35</p>  <p>323 x 102 x 12 mm</p> <p>2</p>
<p>32</p>  <p>387 x 150 x 15 mm</p> <p>1</p>	<p>36</p>  <p>345 x 331 x 3 mm</p> <p>2</p>
<p>33</p>  <p>350 x 103 x 12 mm</p> <p>2</p>	<p>37</p>  <p>387 x 150 x 15 mm</p> <p>1</p>
<p>34</p>  <p>350 x 103 x 12 mm</p> <p>2</p>	

Assembly Instructions

Step 1

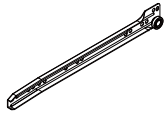


(E)



3.5*12mm Screw x 4

(CR)



Runner 350mm x 1

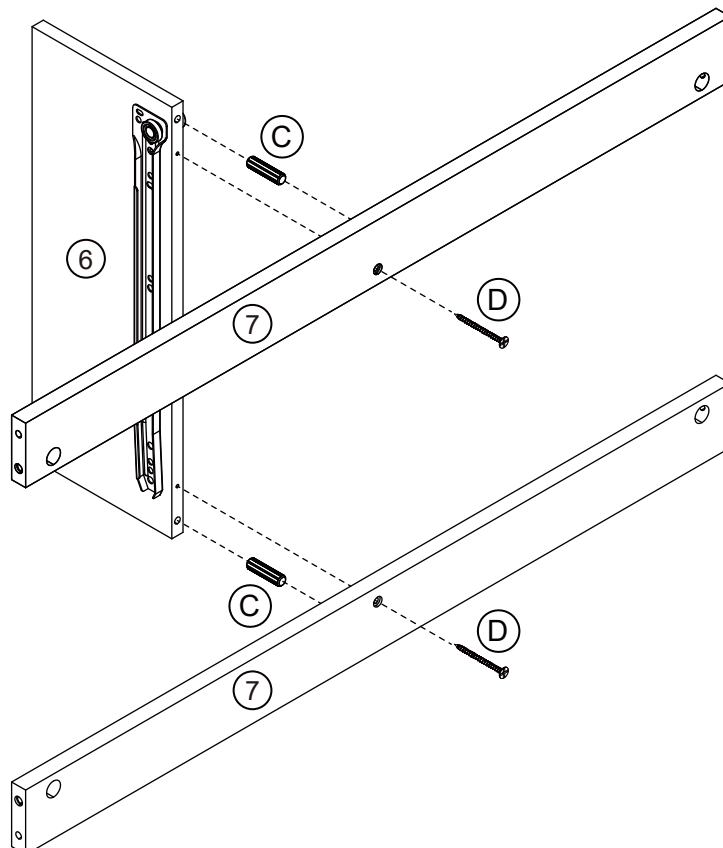
(CL)



Runner 350mm x 1

(CL)

Step 2



(C)



8*30mm Dowel x 2

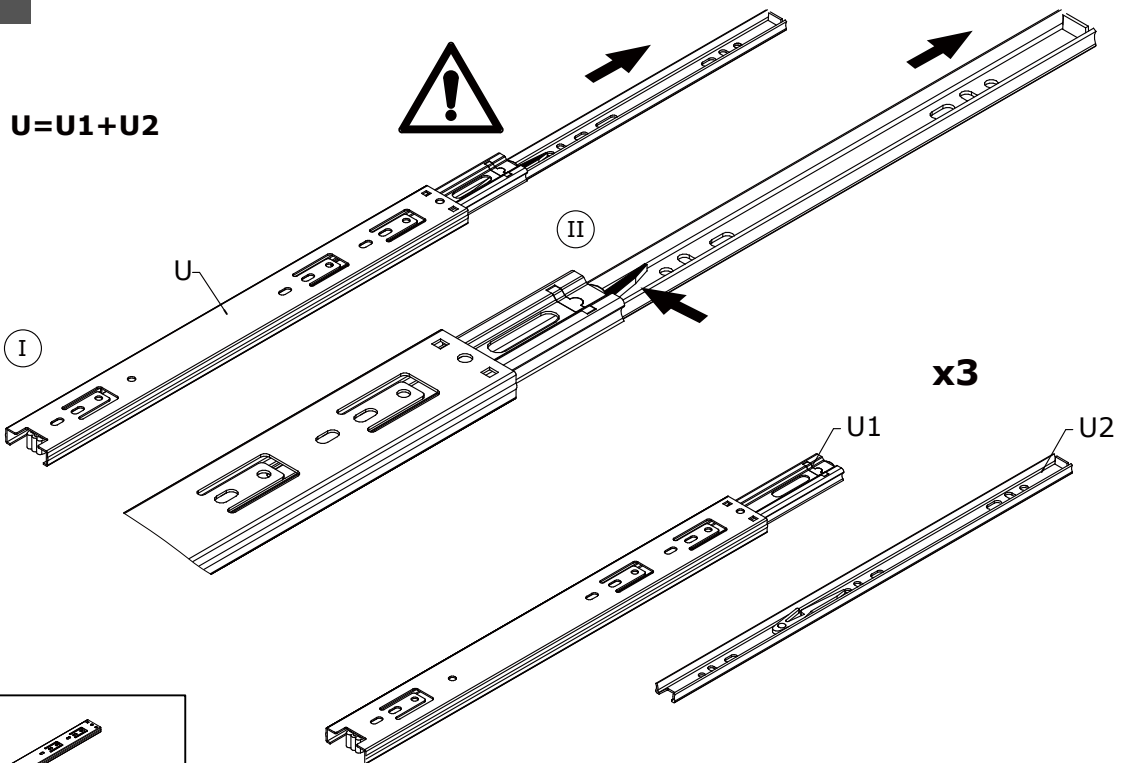
(D)



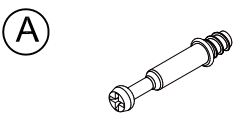
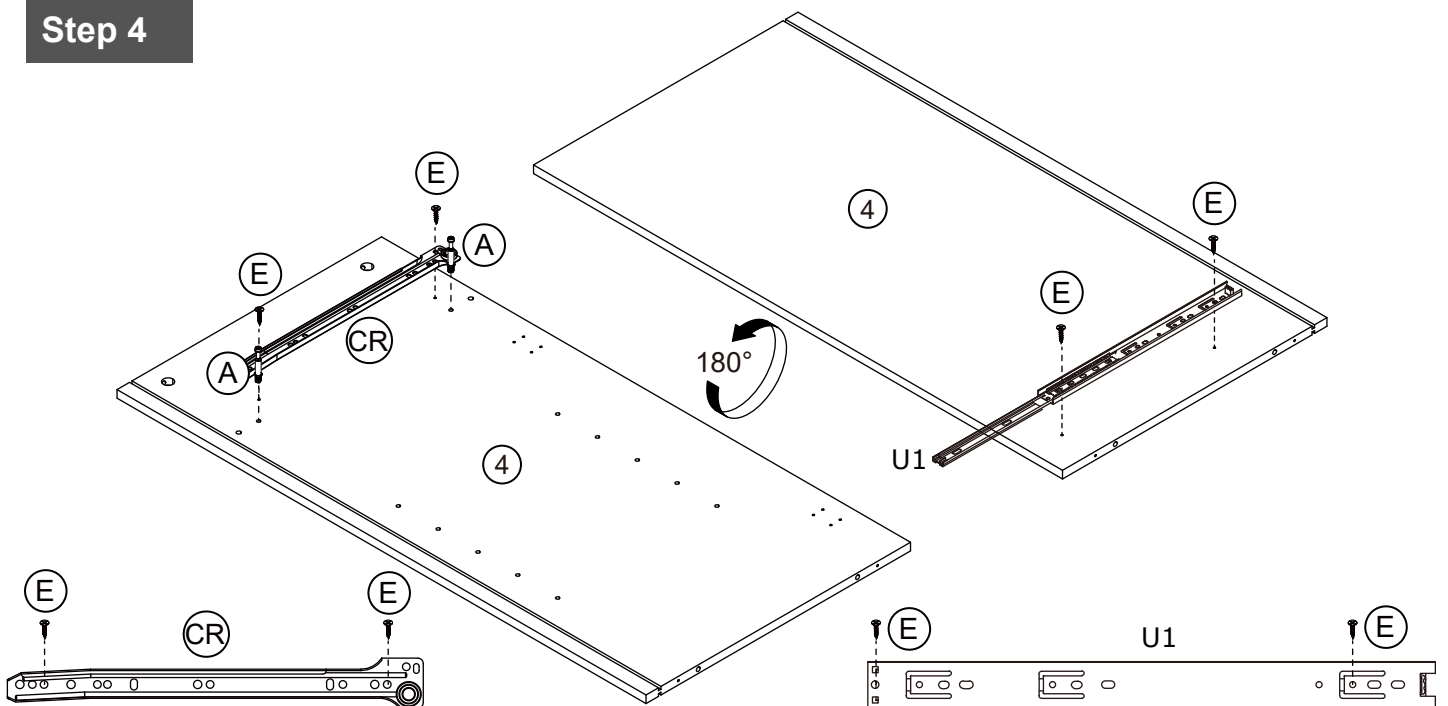
4*35mm Screw x 2

Assembly Instructions

Step 3



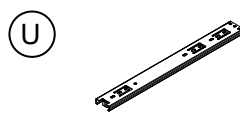
Step 4



Cam Bolt x 2



3.5*12mm Screw x 4



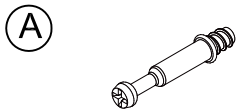
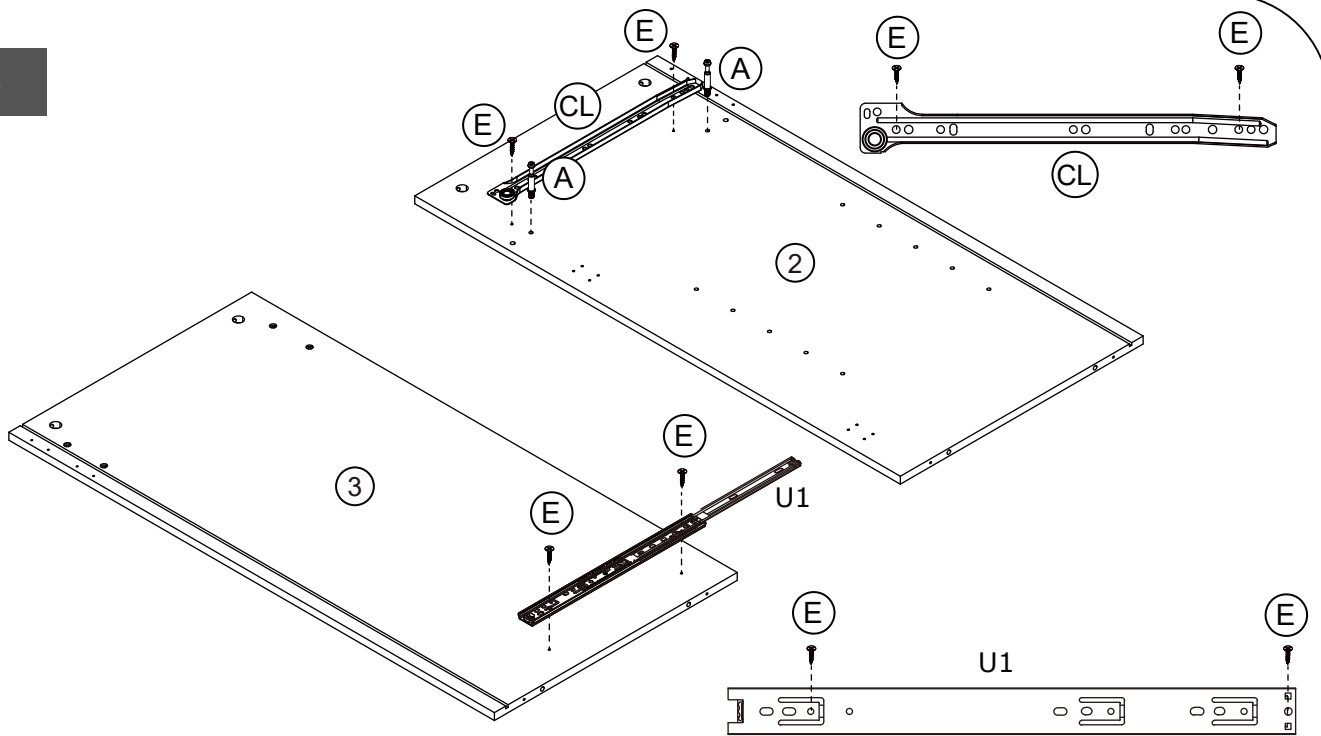
290mm running x 1



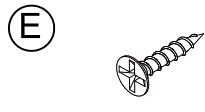
Runner 350mm x 1

Assembly Instructions

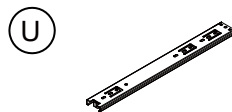
Step 5



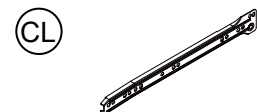
Cam Bolt x 2



3.5*12mm Screw x 4

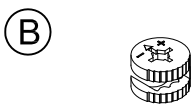
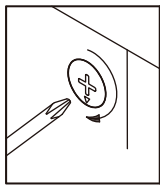
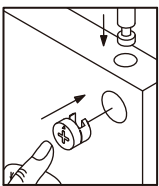
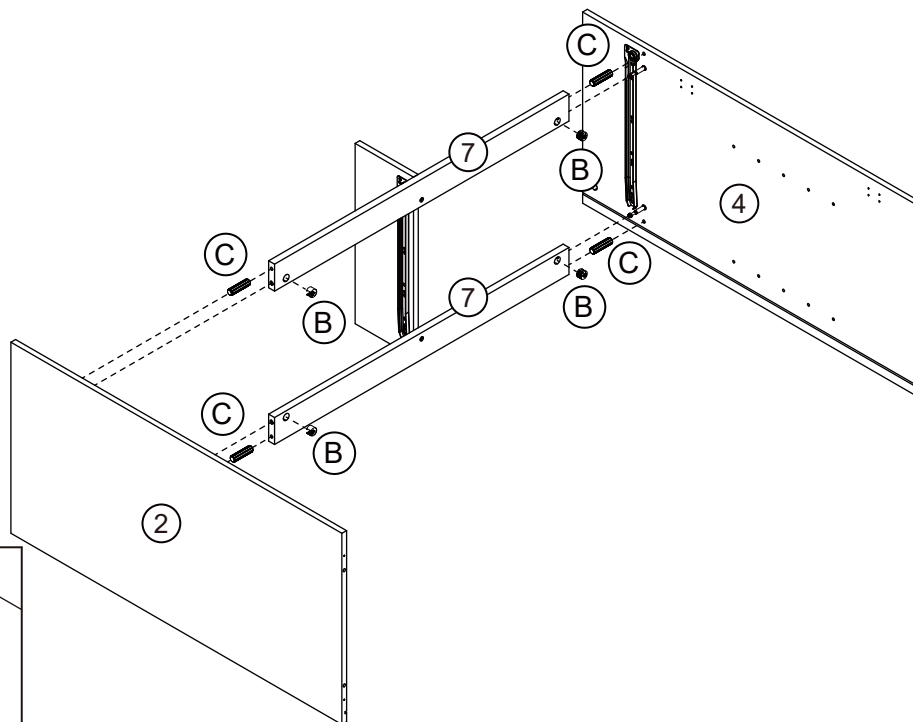


290mm running x 1

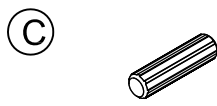


Runner 350mm x 1

Step 6



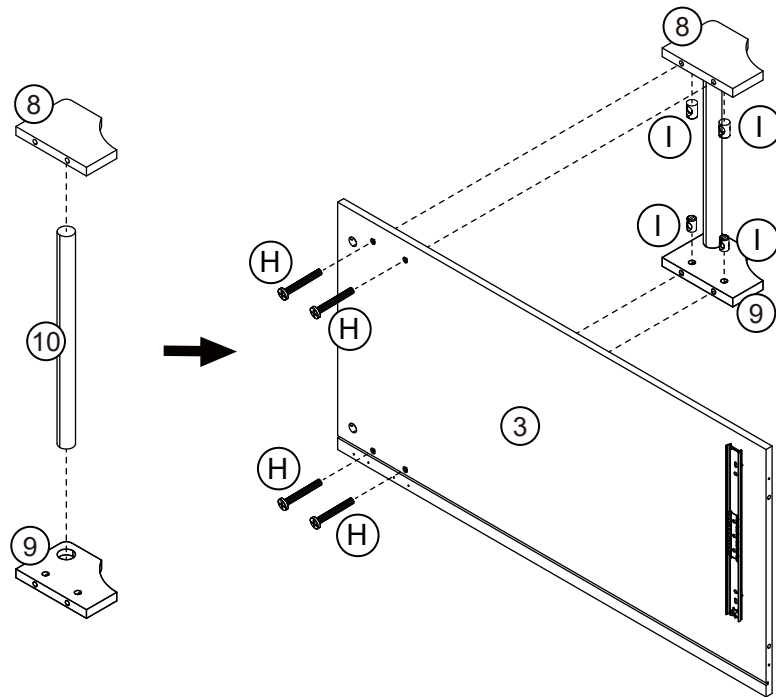
Cam lock x 4



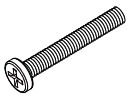
8*30mm Dowel x 4

Assembly Instructions

Step 7

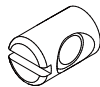


(H)



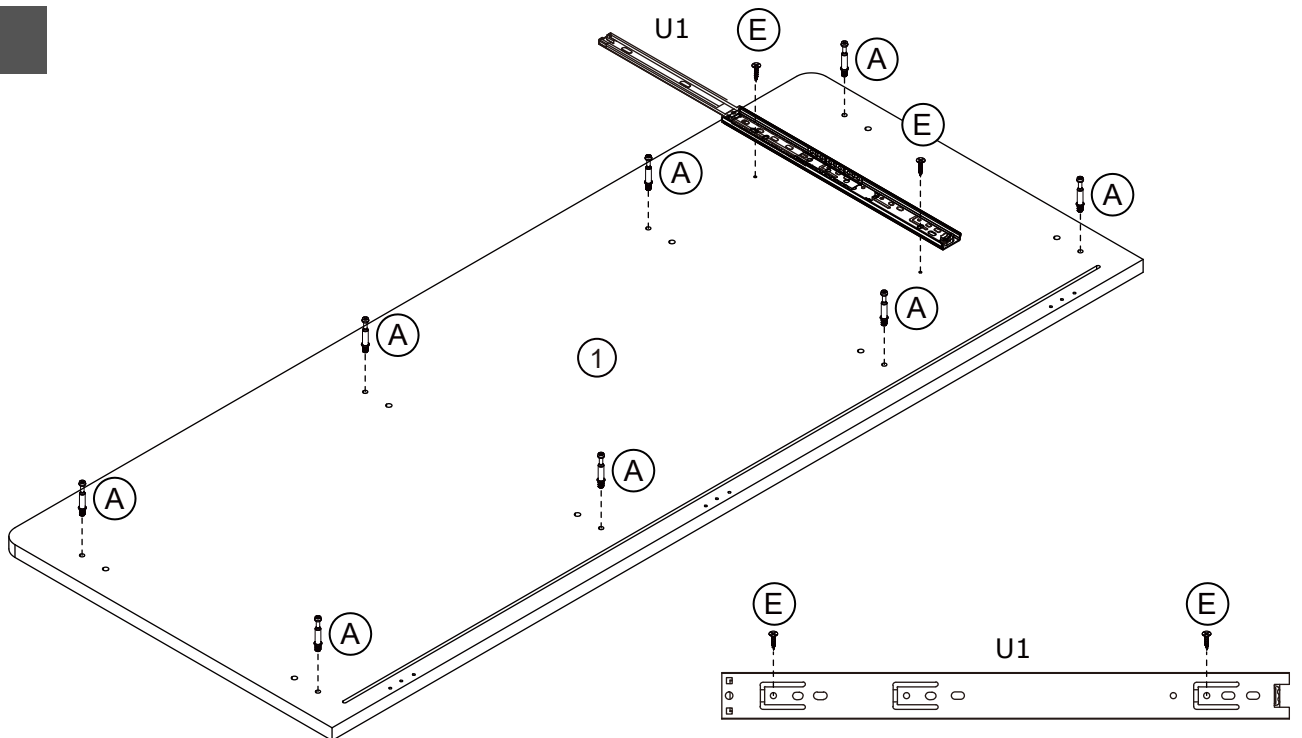
6*45mm Screw x 4

(I)

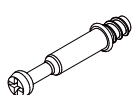


Vertical nut x 4

Step 8



(A)



Cam Bolt x 8

(E)



3.5*12mm Screw x 2

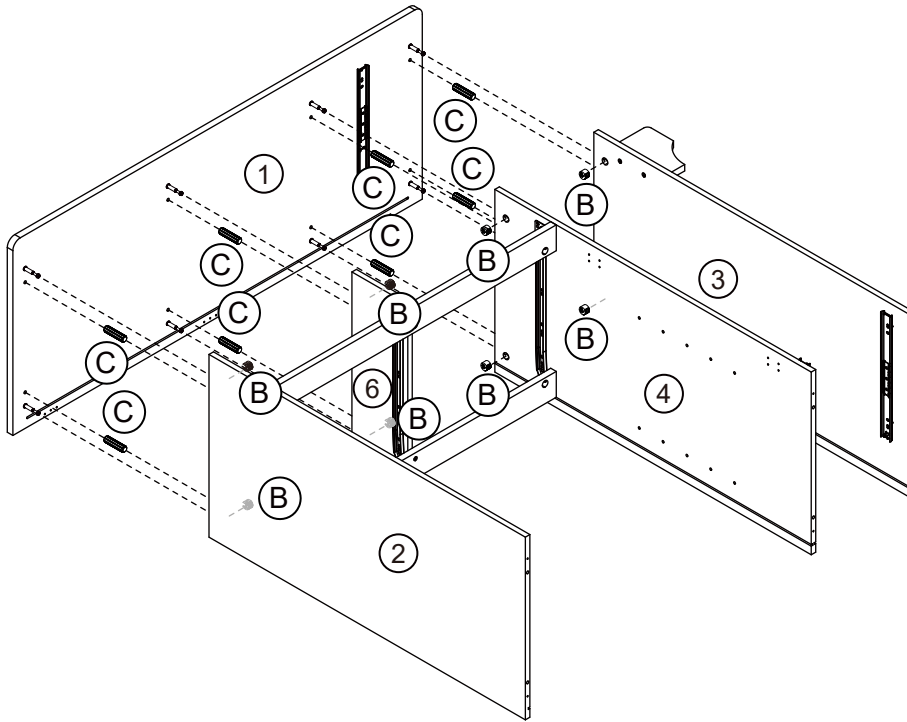
(U)



290mm running x 1

Assembly Instructions

Step 9



(B)



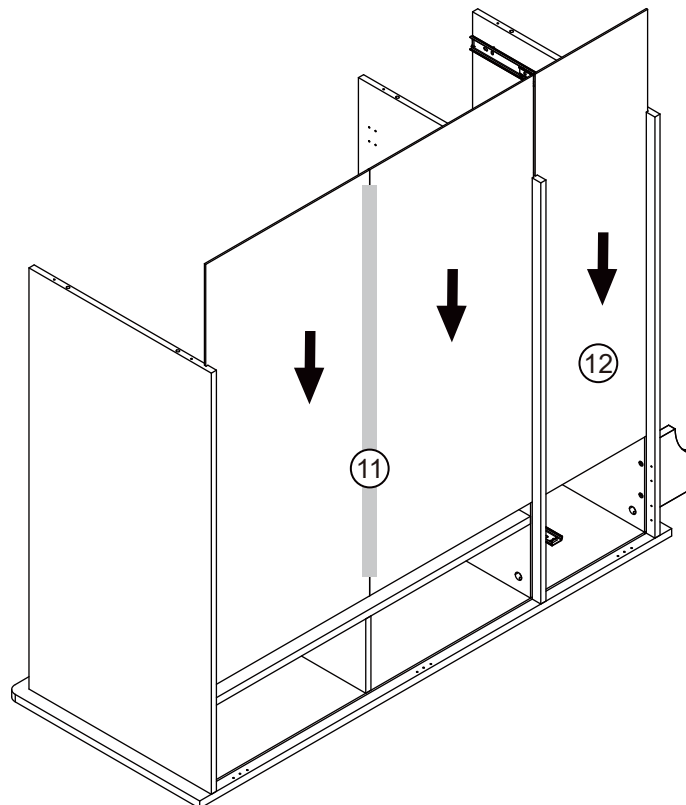
Cam lock x 8

(C)



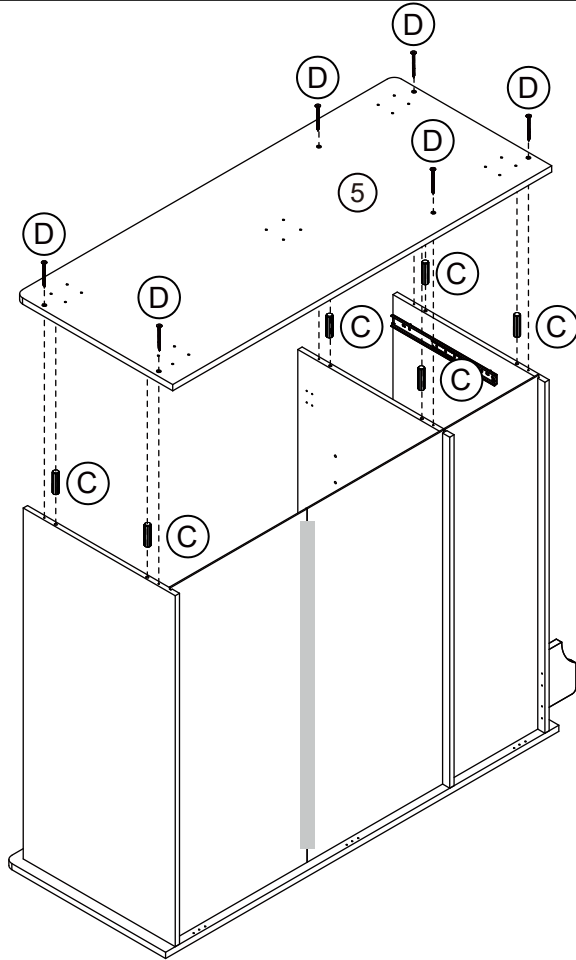
8*30mm Dowel x 8

Step 10



Assembly Instructions

Step 11



(C)



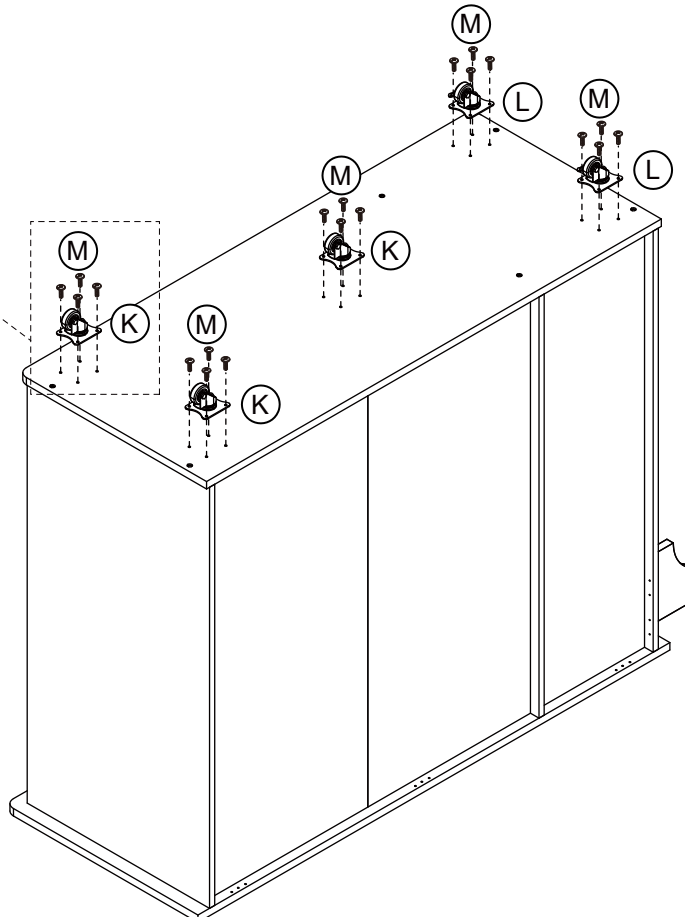
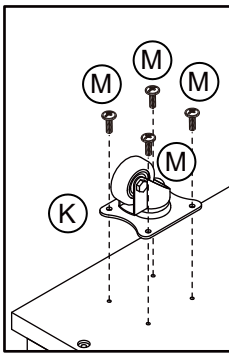
8*30mm Dowel x 6

(D)



4*35mm Screw x 6

Step 12

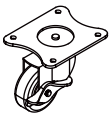


(M)



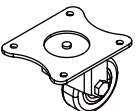
6*14mm Screw x 20

(L)



Locking caster x 2

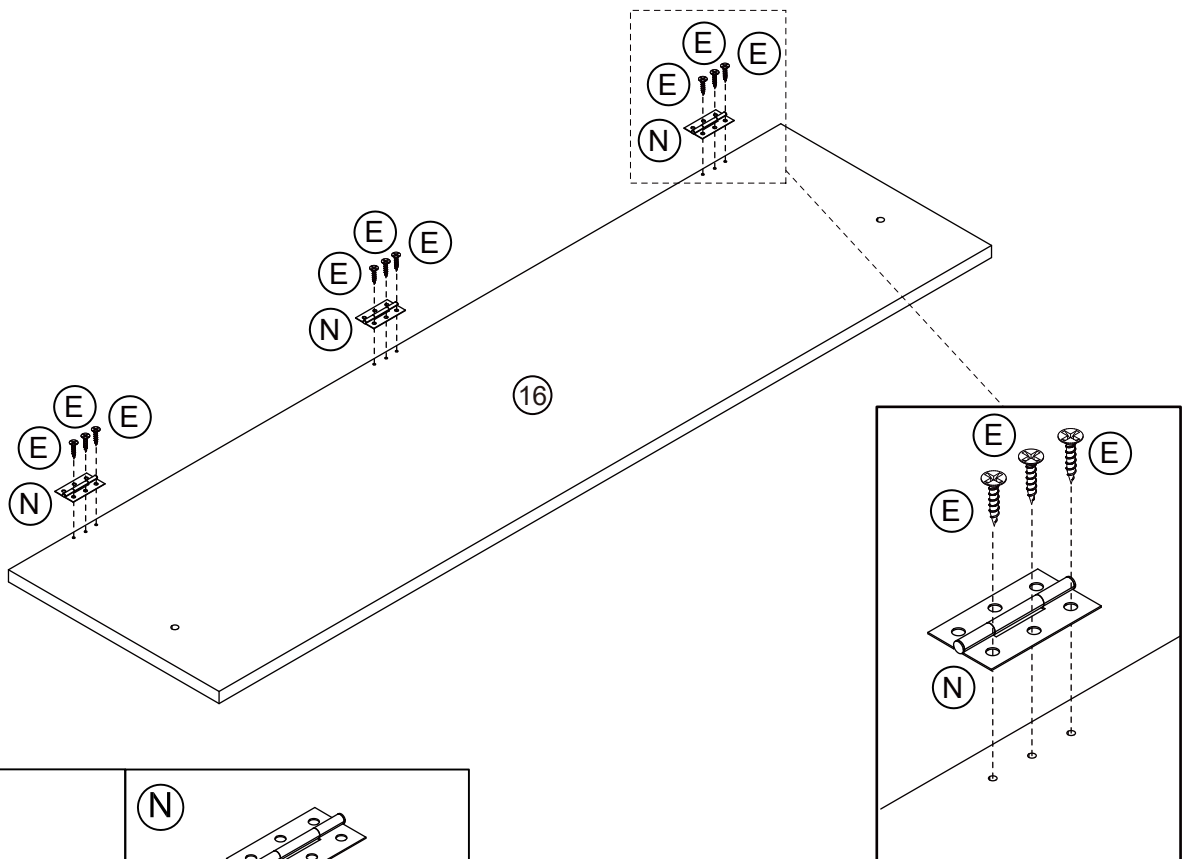
(K)



Caster x 3

Assembly Instructions

Step 13

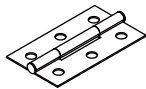


(E)



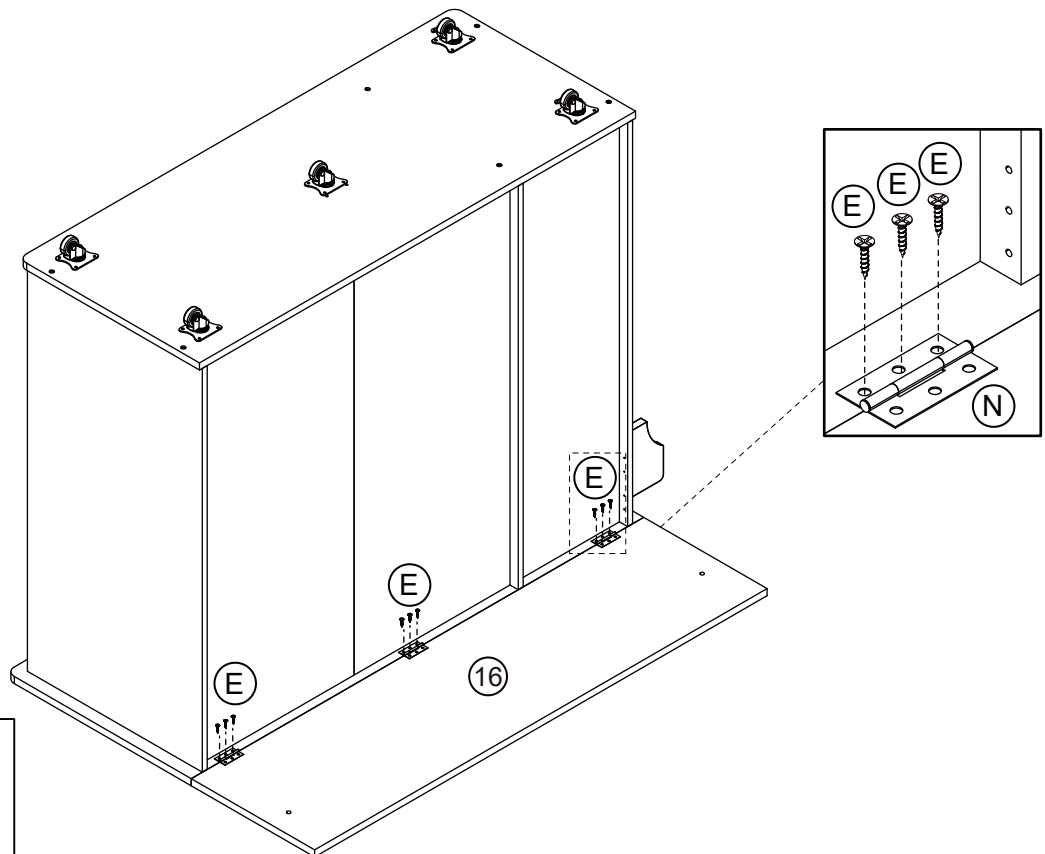
3.5*12mm Screw x 9

(N)



hinge x 3

Step 14



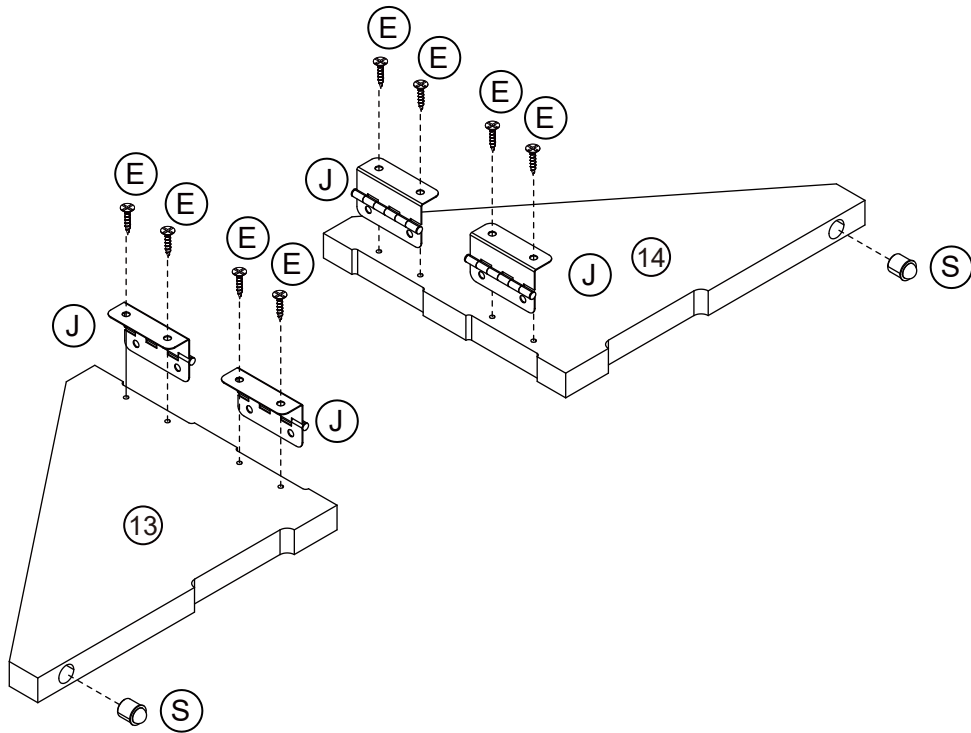
(E)



3.5*12mm Screw x 9

Assembly Instructions

Step 15

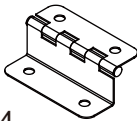


(E)



3.5*12mm Screw x 8

(J)



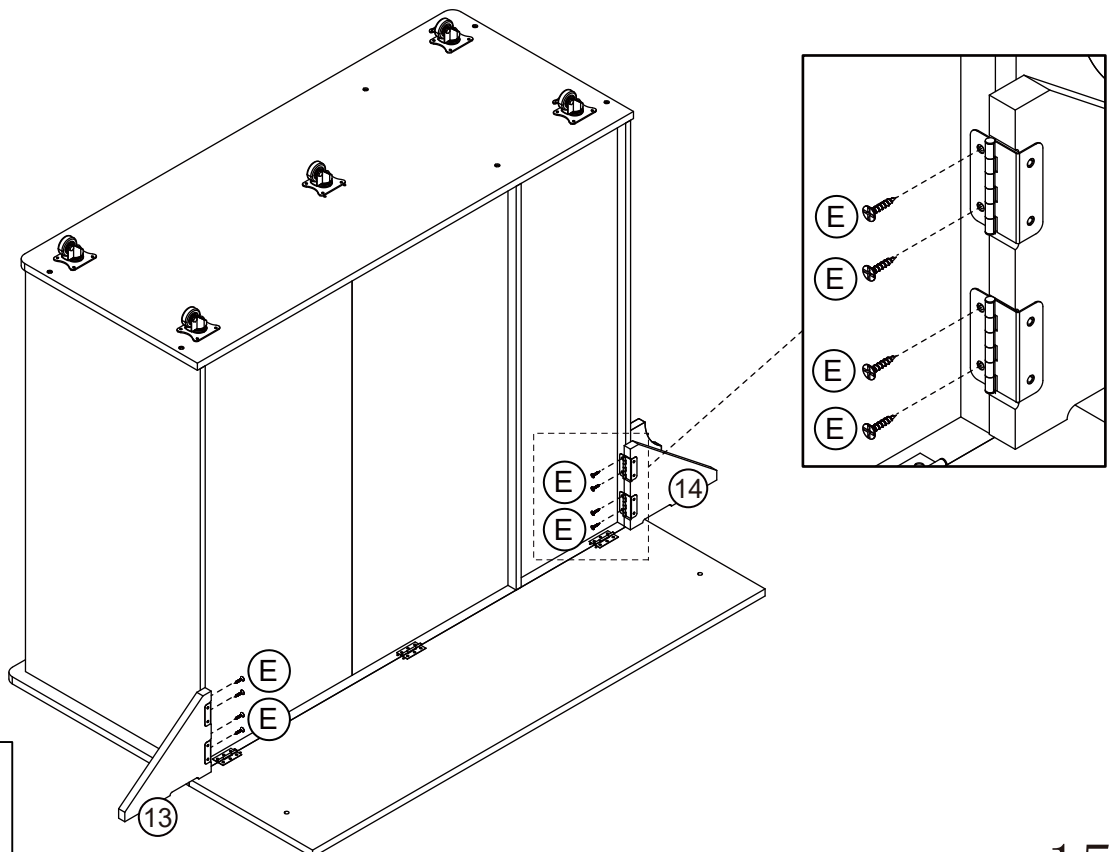
hinge x 4

(S)



Pressure ball x 2

Step 16



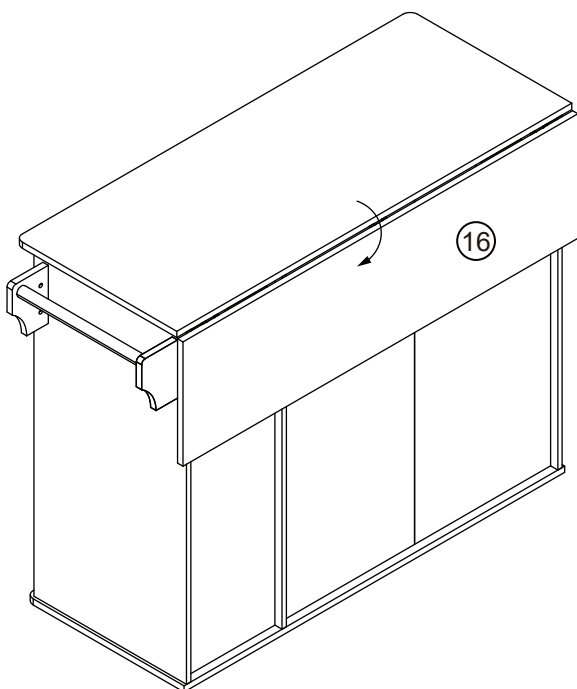
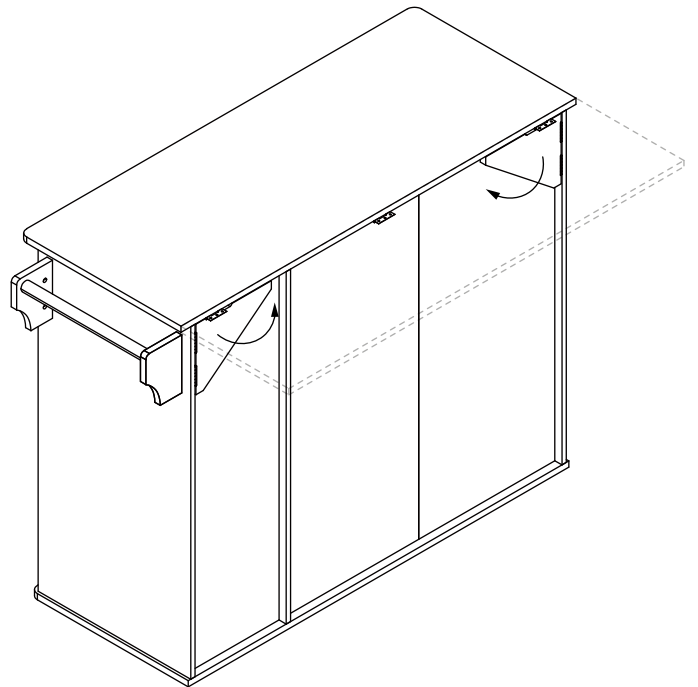
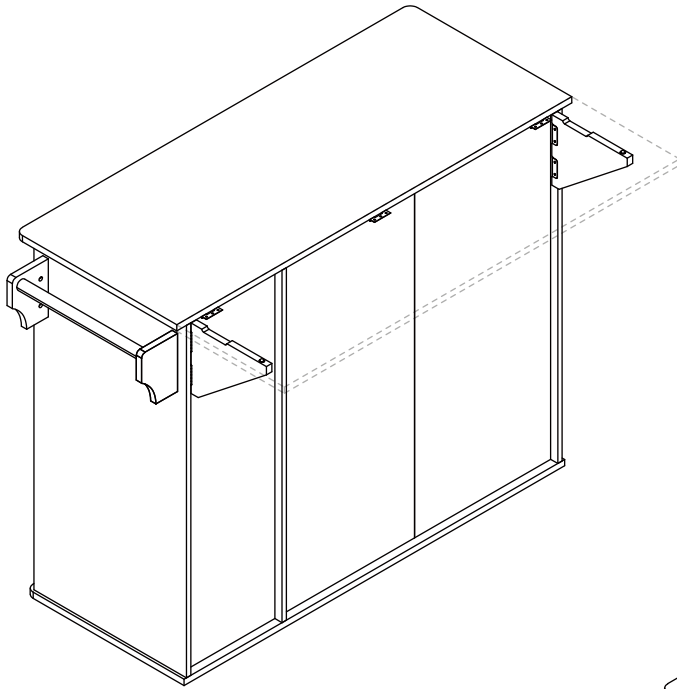
(E)



3.5*12mm Screw x 8

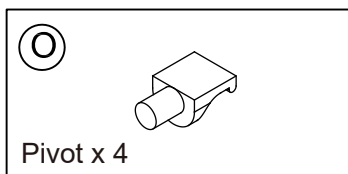
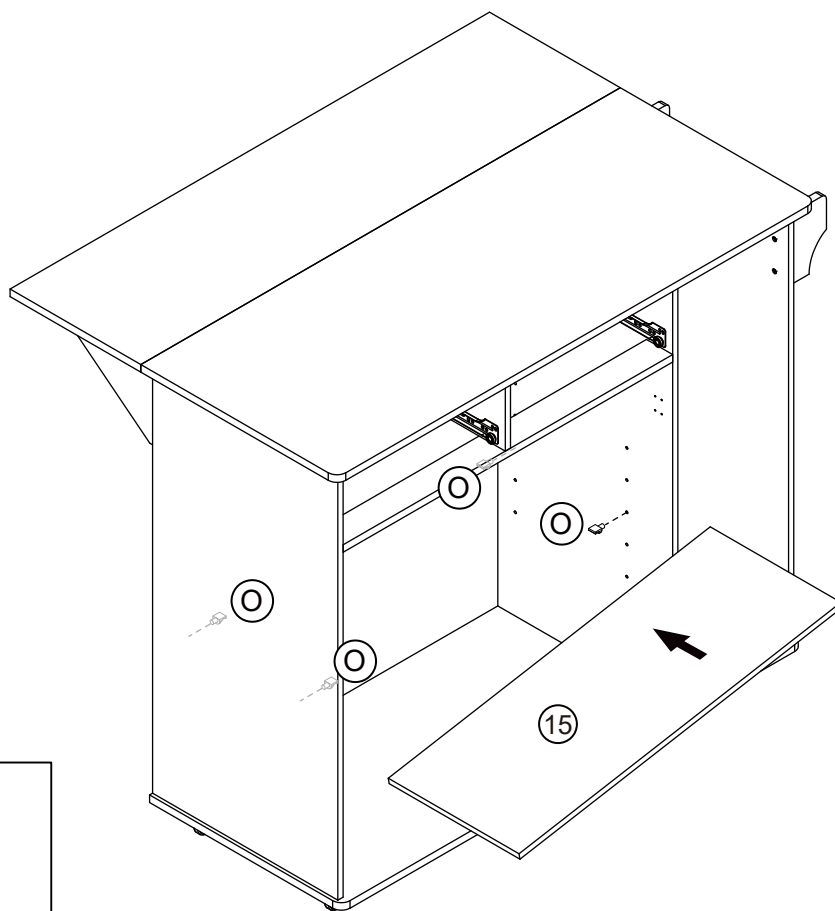
Assembly Instructions

Step 17

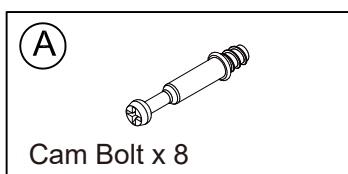
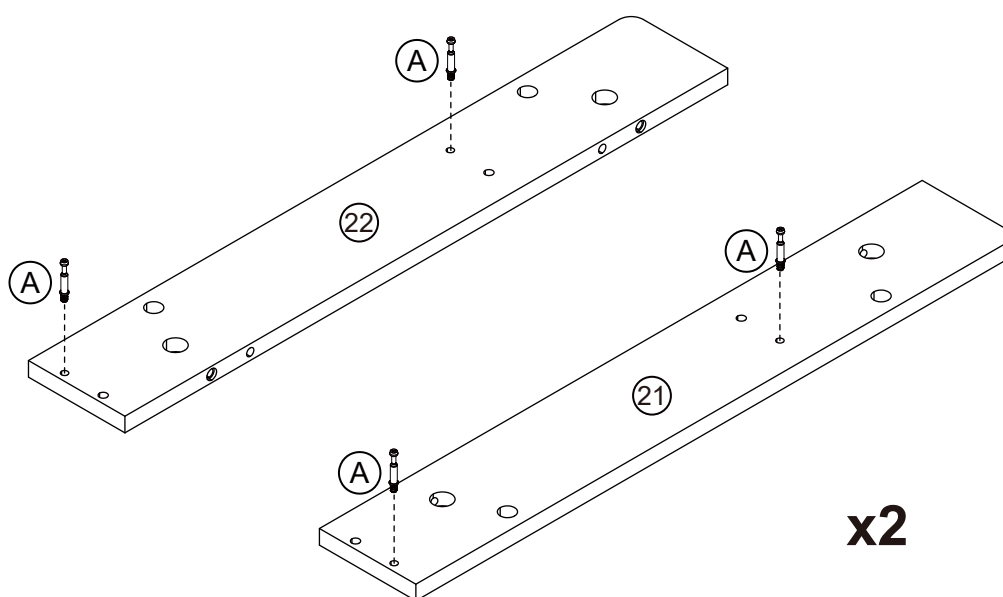


Assembly Instructions

Step 18

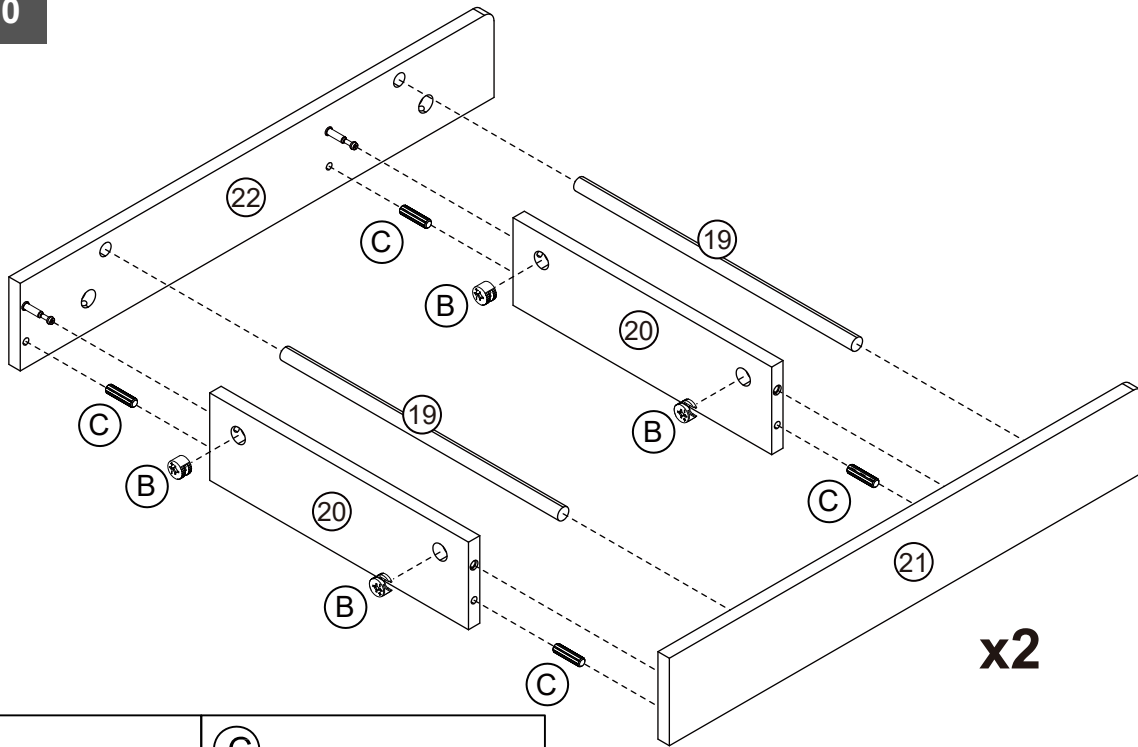


Step 19



Assembly Instructions

Step 20



(B)



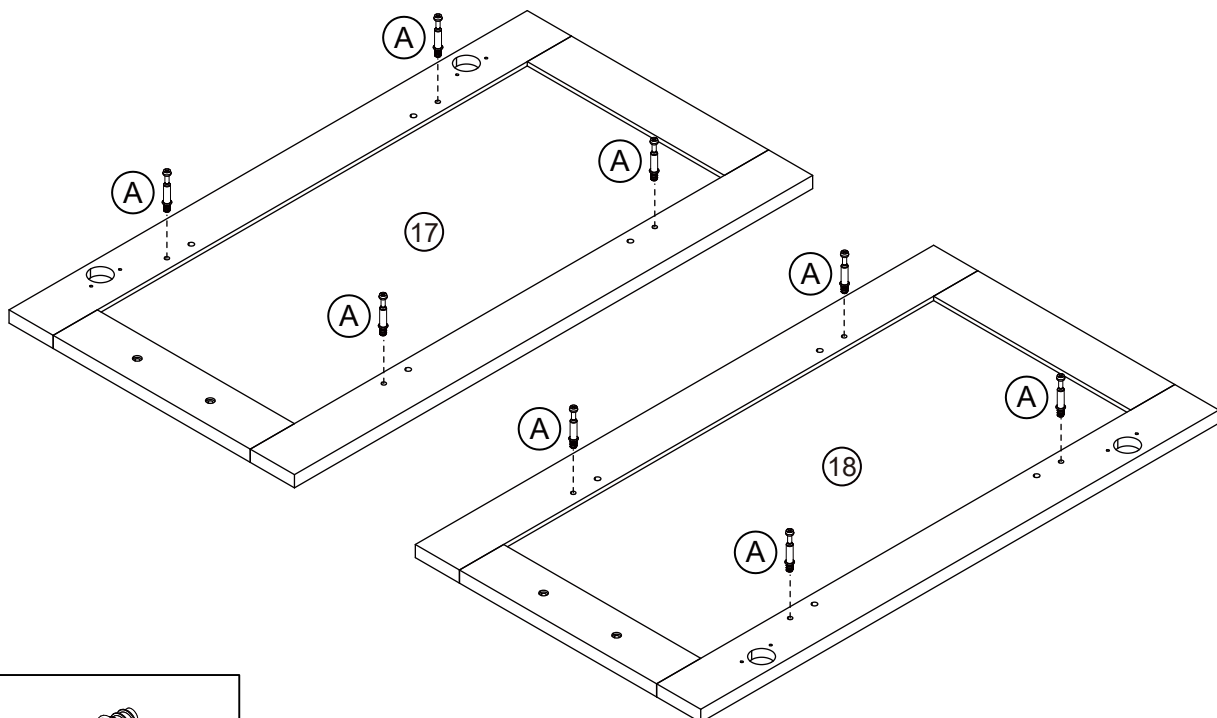
Cam lock x 8

(C)

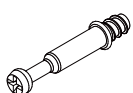


8*30mm Dowel x 8

Step 21



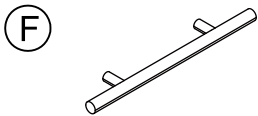
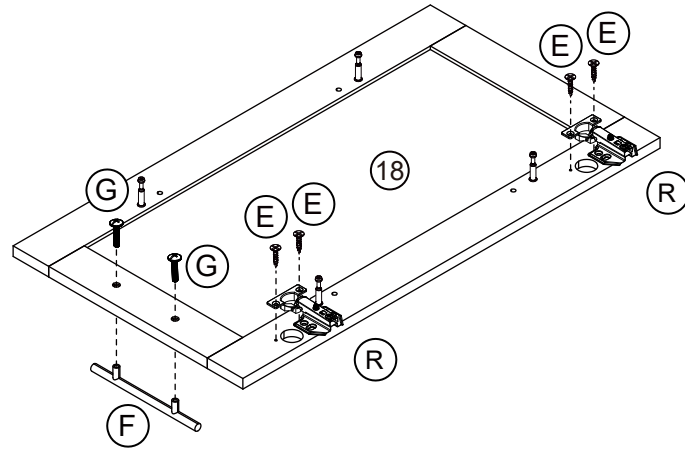
(A)



Cam Bolt x 8

Assembly Instructions

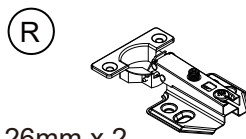
Step 22



Hold hands x 1



4*20mm Screw x 2

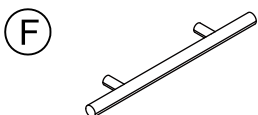
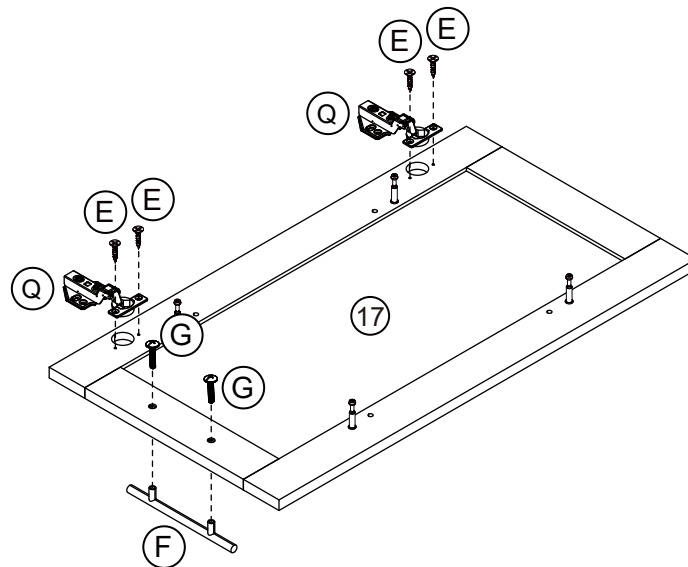


26mm x 2



3.5*12mm Screw x 4

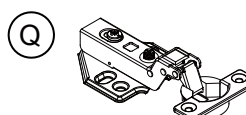
Step 23



Hold hands x 1



4*20mm Screw x 2



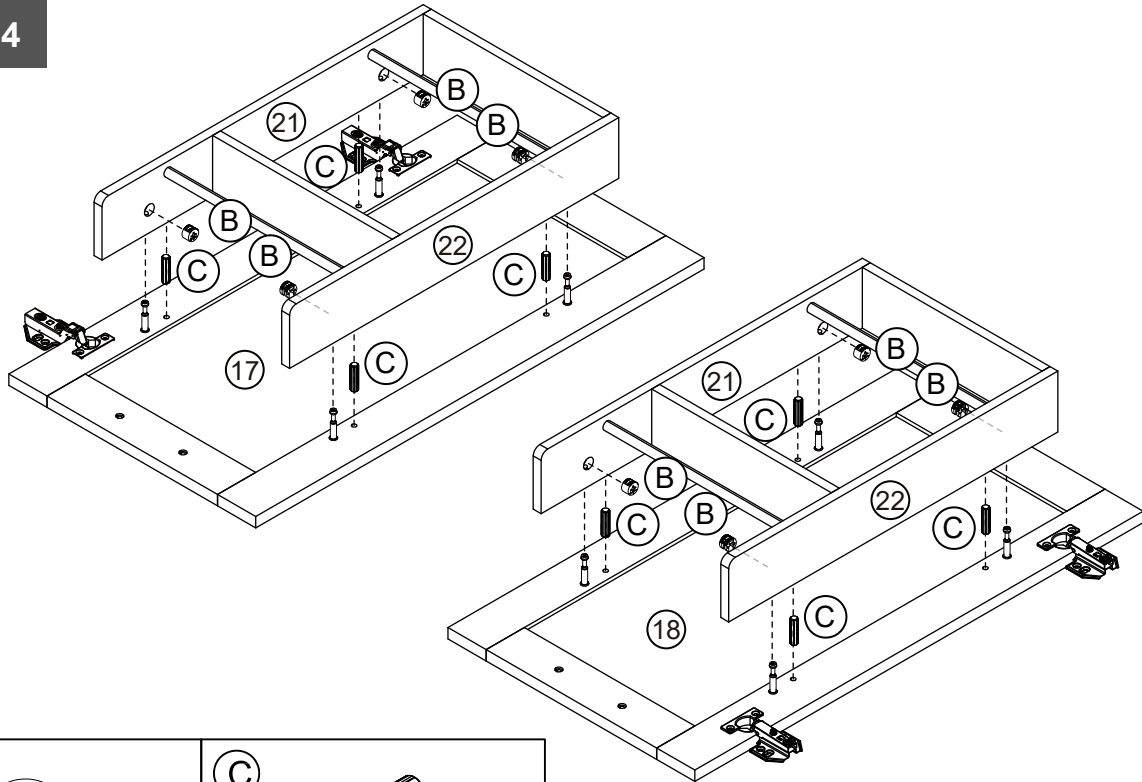
26mm x 2



3.5*12mm Screw x 4

Assembly Instructions

Step 24



(B)



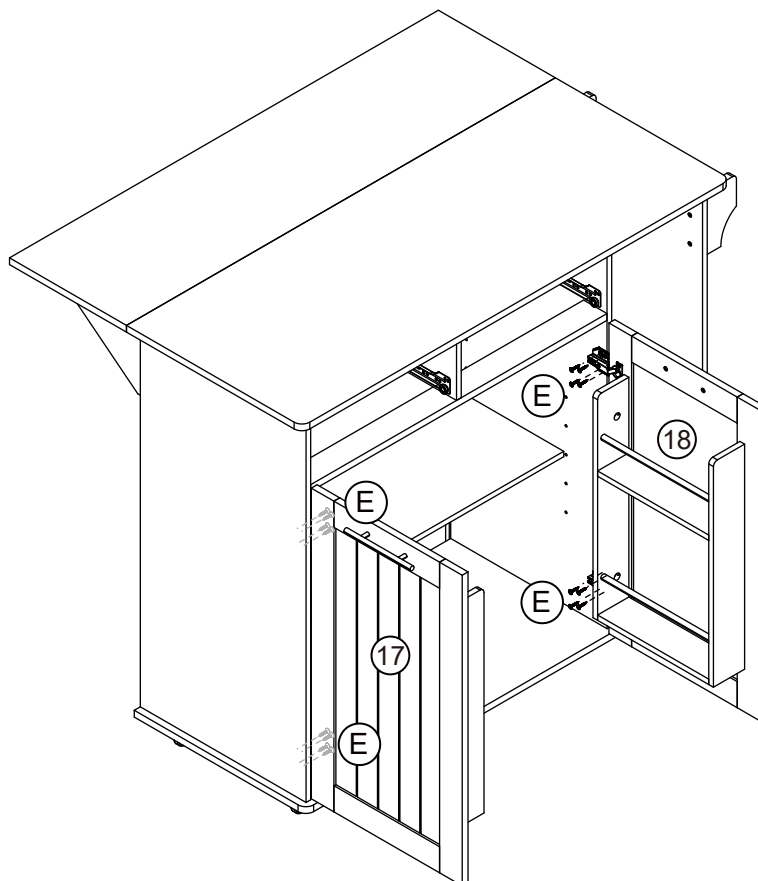
Cam lock x 8

(C)



8*30mm Dowel x 8

Step 25



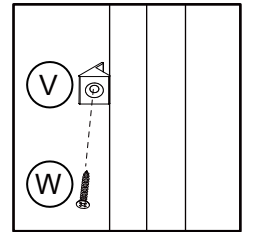
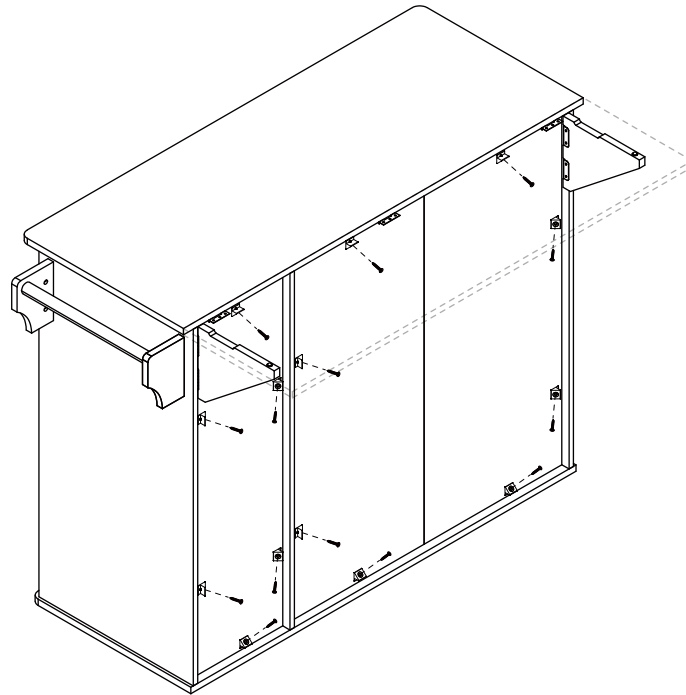
(E)



3.5*12mm Screw x 16

Assembly Instructions

Step 26

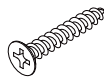


V



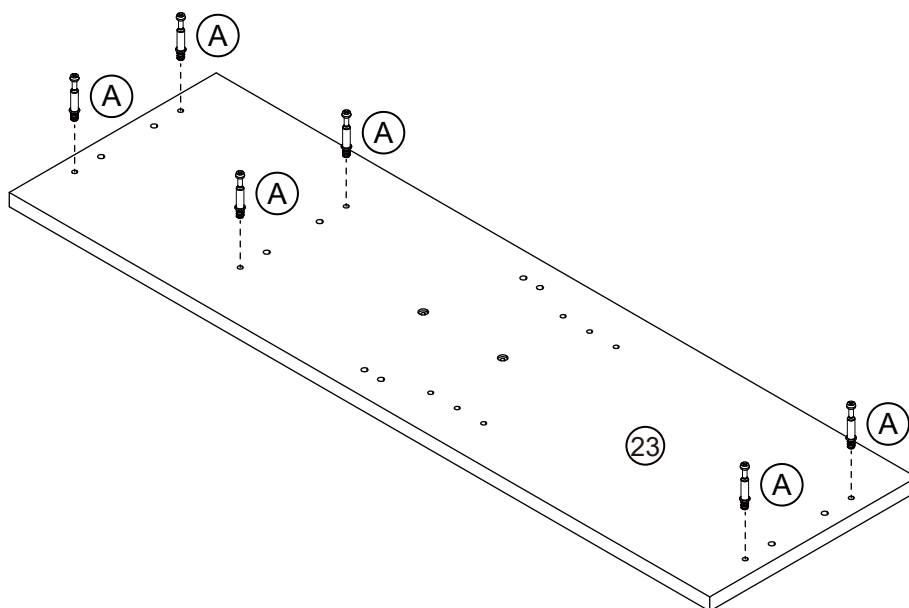
Back plate buckle x 14

W

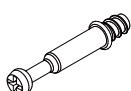


3*14mm Screw x 14

Step 27



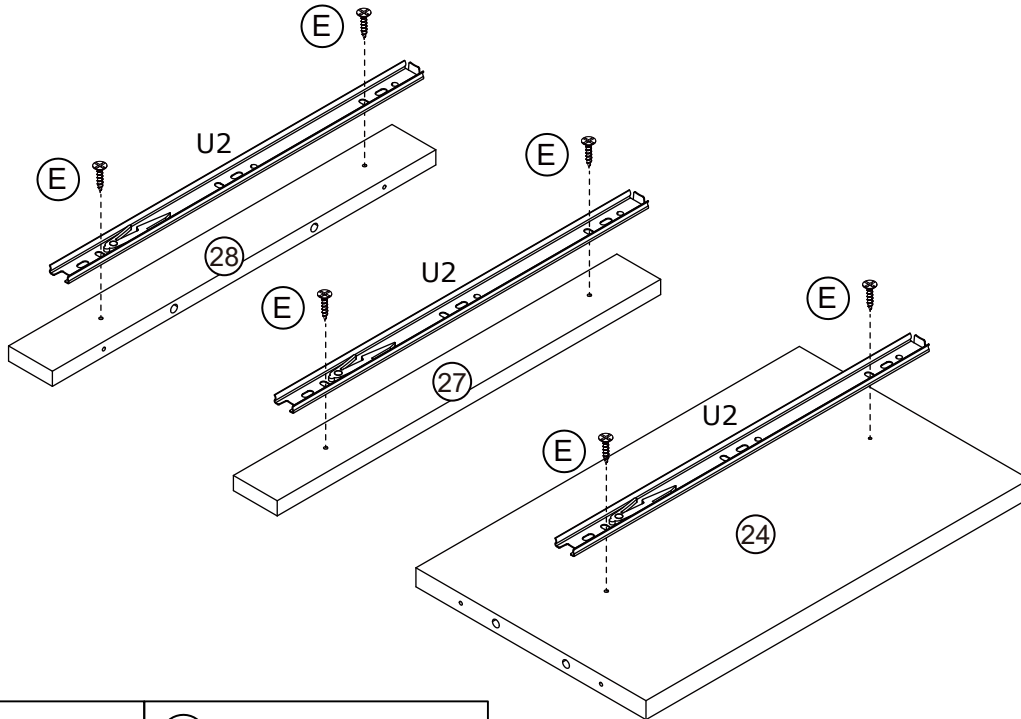
A



Cam Bolt x 6

Assembly Instructions

Step 28



(E)



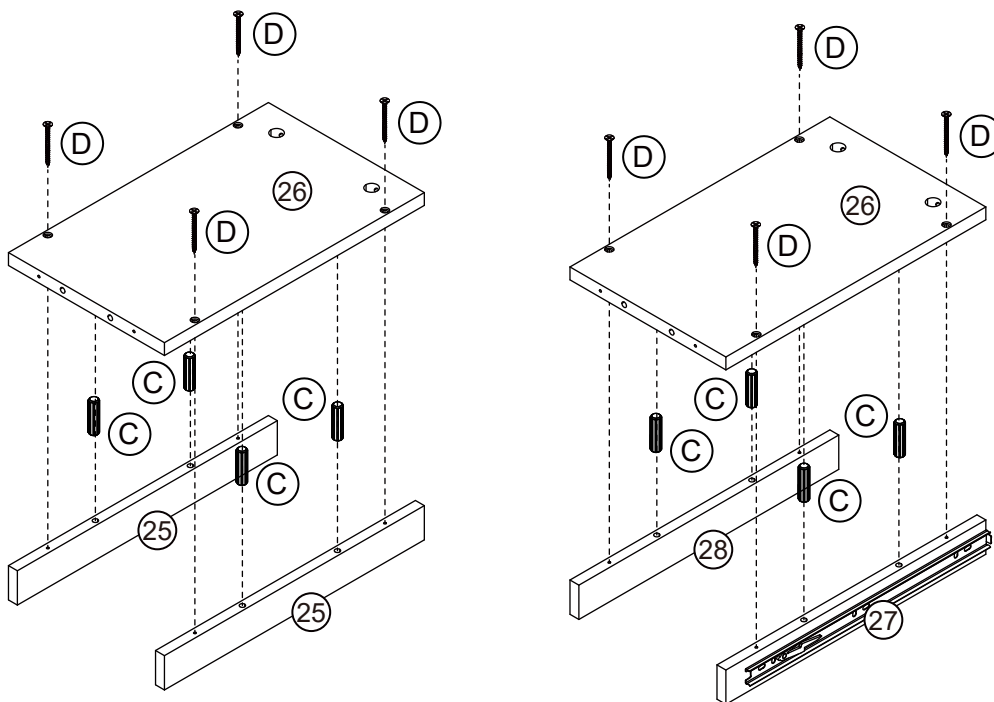
3.5*12mm Screw x 6

(U)



290mm running x 3

Step 29



(C)



8*30mm Dowel x 8

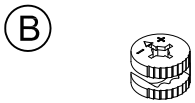
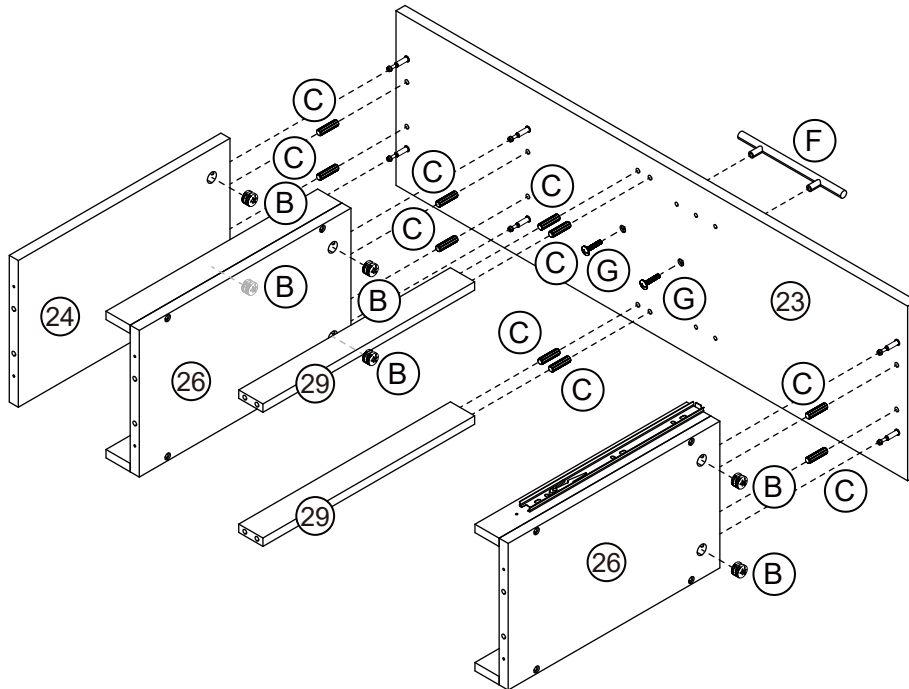
(D)



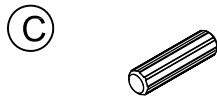
4*35mm Screw x 8

Assembly Instructions

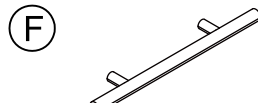
Step 30



Cam lock x 6



8*30mm Dowel x 10

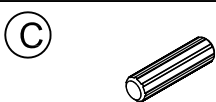
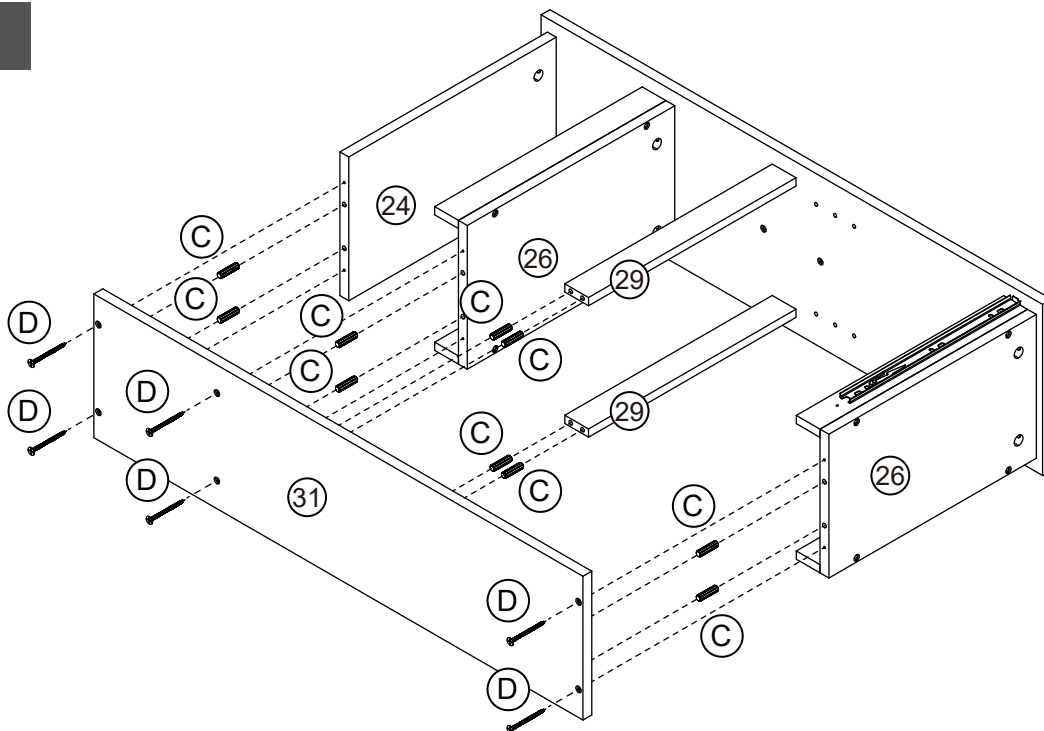


Hold hands x 1



4*20mm Screw x 2

Step 31



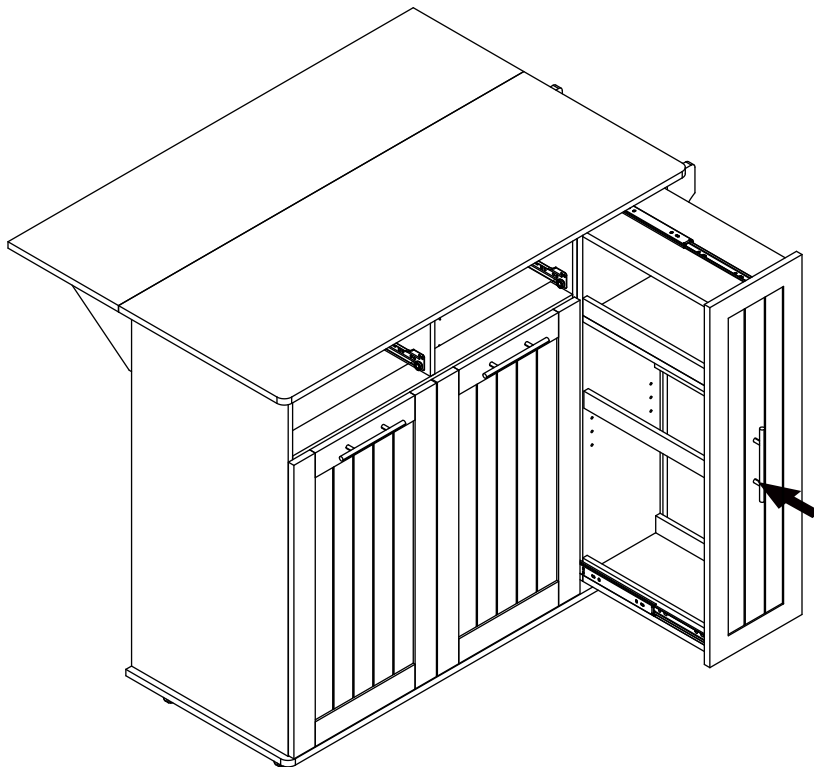
8*30mm Dowel x 10



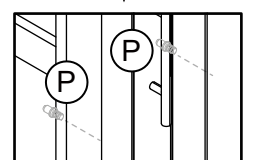
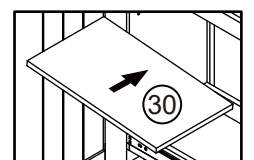
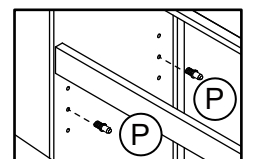
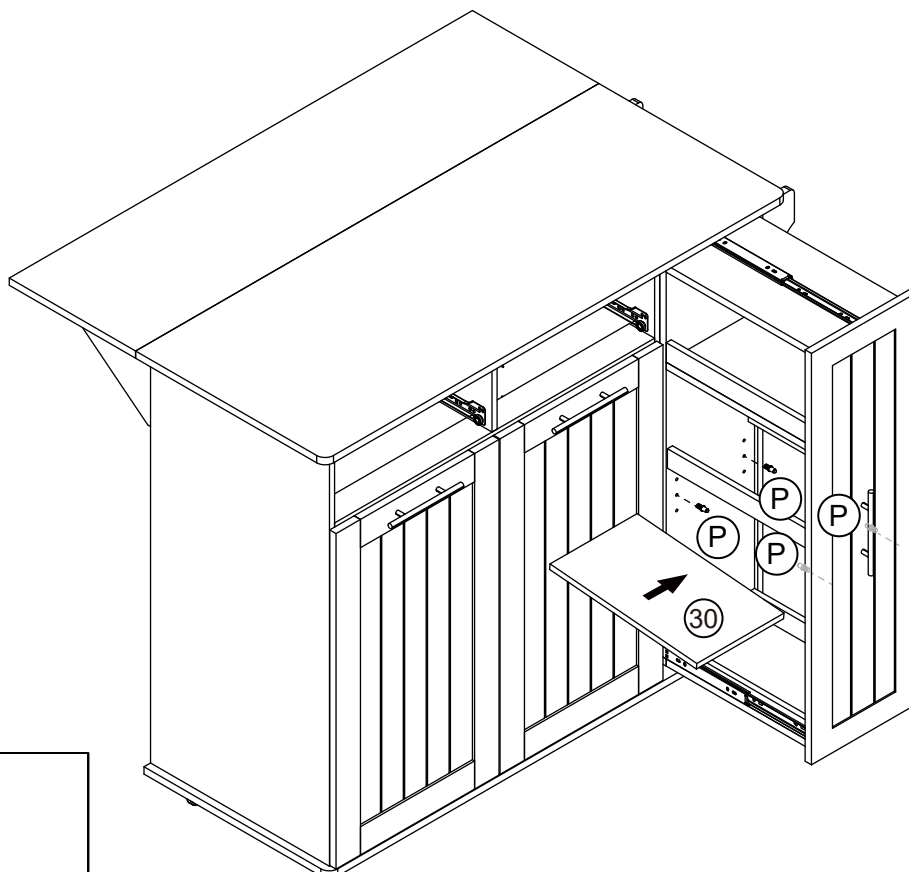
4*35mm Screw x 6

Assembly Instructions

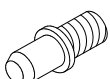
Step 32



Step 33



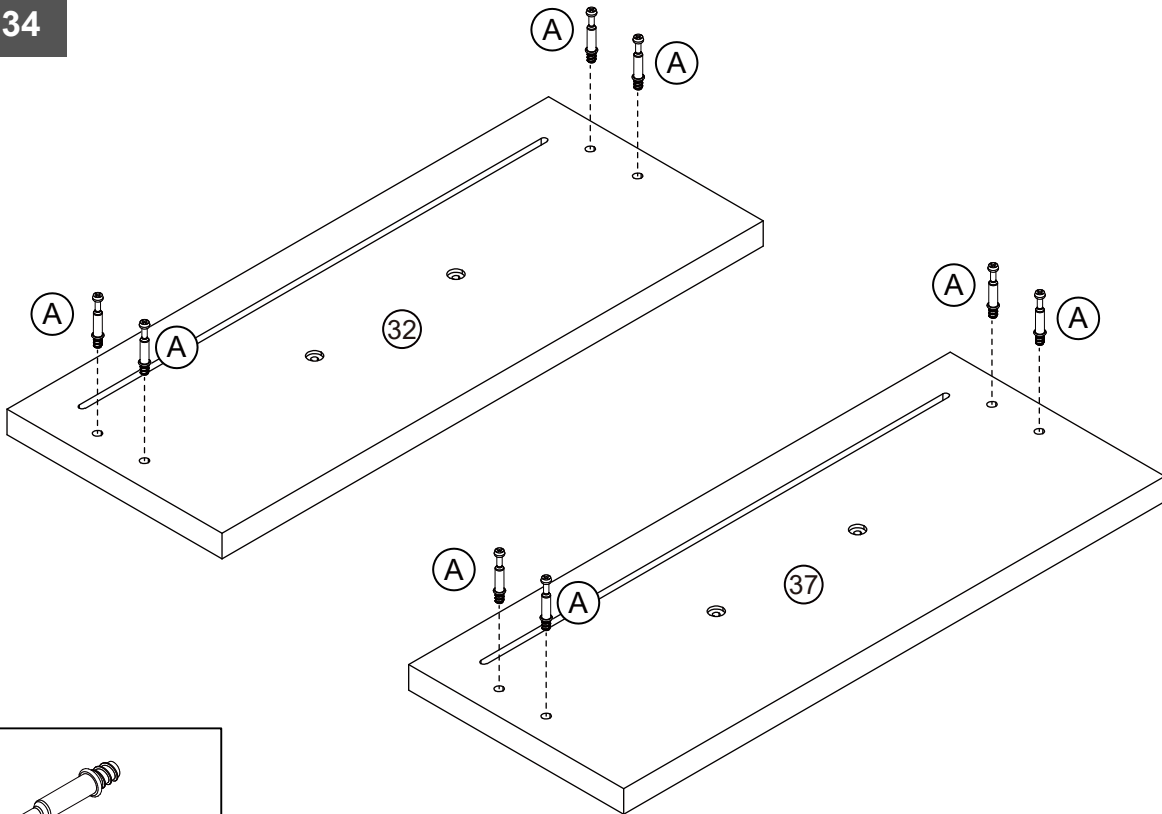
P



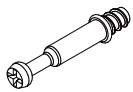
Pivot x 4

Assembly Instructions

Step 34

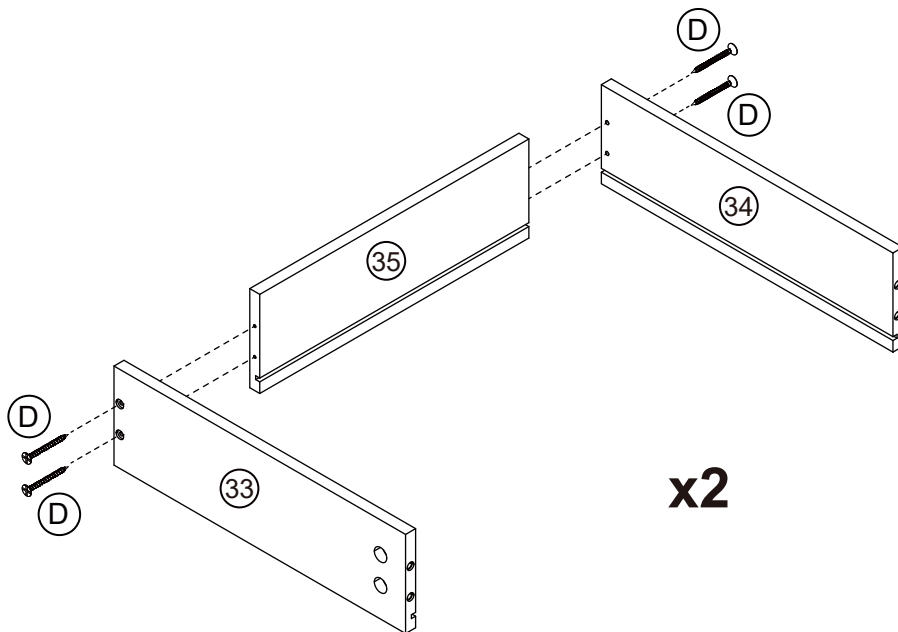


(A)



Cam Bolt x 8

Step 35



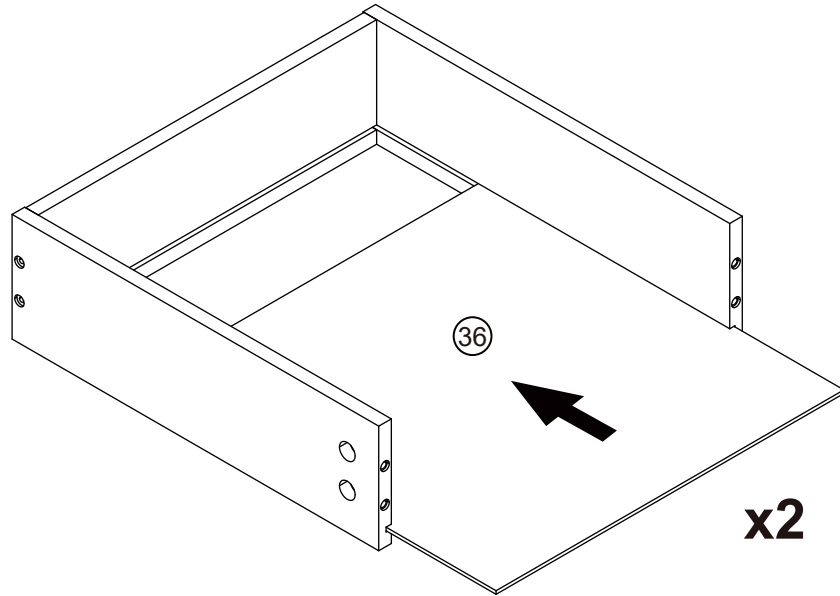
(D)



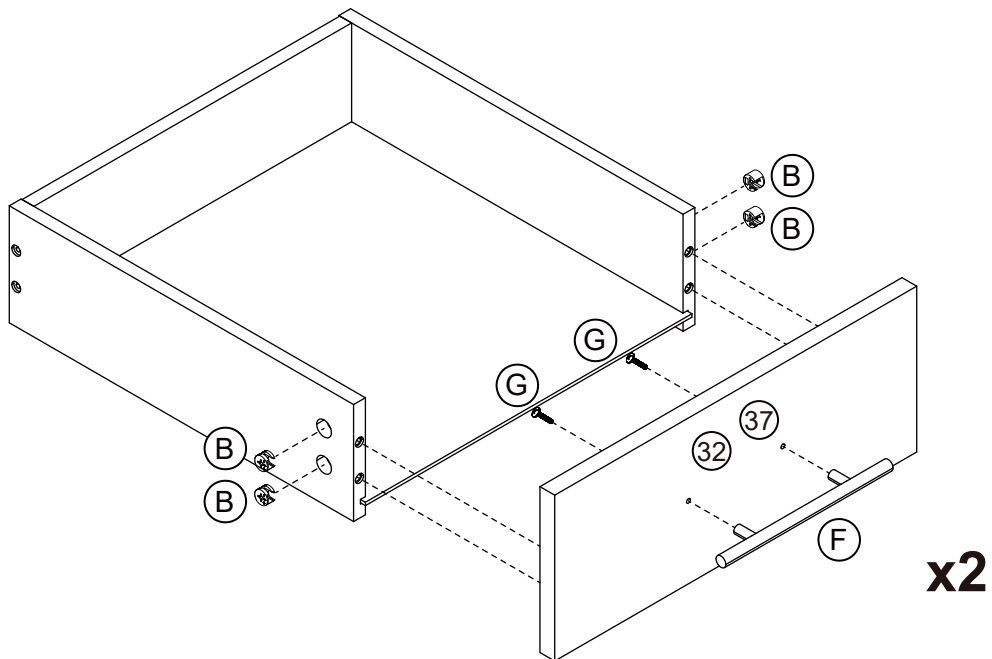
4*35mm Screw x 8

Assembly Instructions

Step 36



Step 37

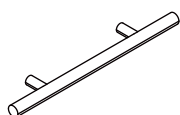


B



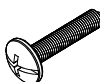
Cam lock x 8

F



Hold hands x 2

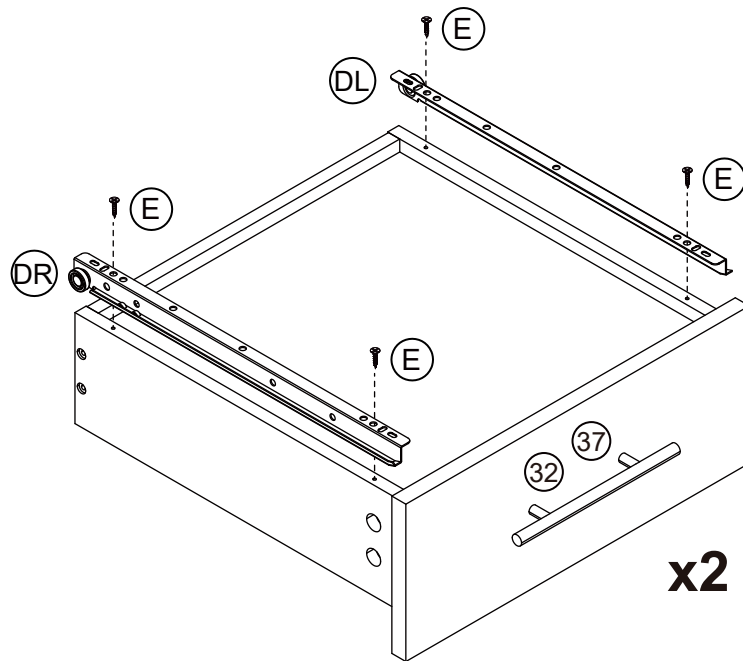
G



4*20mm Screw x 4

Assembly Instructions

Step 38

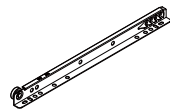


(E)



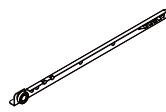
3.5*12mm Screw x 8

(DR)



Runner 350mm x 2

(DL)



Runner 350mm x 2

Step 39

