

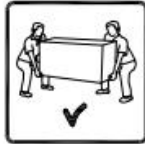
ASSEMBLY INSTRUCTION

ASSEMBLY TIPS:

1. Remove hardware from box and sort by size
2. Please check to see that all hardware and parts are present prior to start of assembly.
3. Please follow attached instructions in the same sequence as numbered to assure fast & easy assembly.



Warning !

1. Don't attempt to repair or modify parts that are broken or defective, Please contact the store immediately.
2. This product is for home use only and not intended for commercial establishment.







ASSEMBLY TIME PER UNIT: 15 MINUTES

PARTS IDENTIFICATION

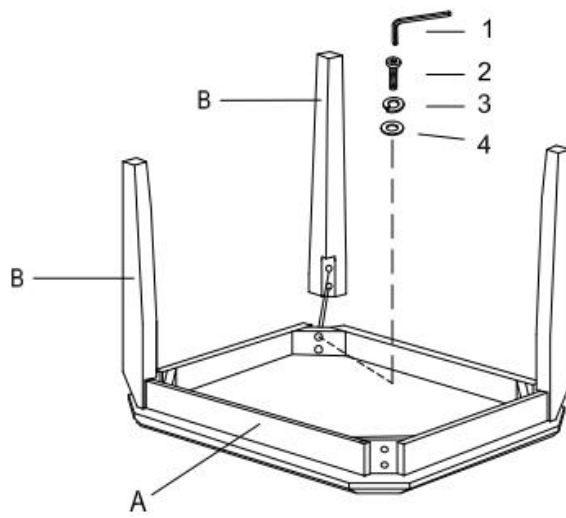
A	TOP		1PC
B	LEG		4PCS

Z HARDWARE PACKAGE

NO	DESCRIPTION	FIGURE	QTY
1	ALLEN WRENCH (5MM)		1PC
2	ALLEN BOLT (Ø5/16*2")		8PCS
3	LOCK WASHER (Ø5/16")		8PCS
4	FLAT WASHER (Ø5/16**19MM)		8PCS

It needs two persons and takes about fifteen minutes to assemble the item.

STEP 1:



COMPLETED

